

This Owner's Manual is provided and hosted by [Appliance Factory Parts](#).



Shop Vac VN92500A Owner's Manual

[Shop genuine replacement parts for Shop Vac
VN92500A](#)

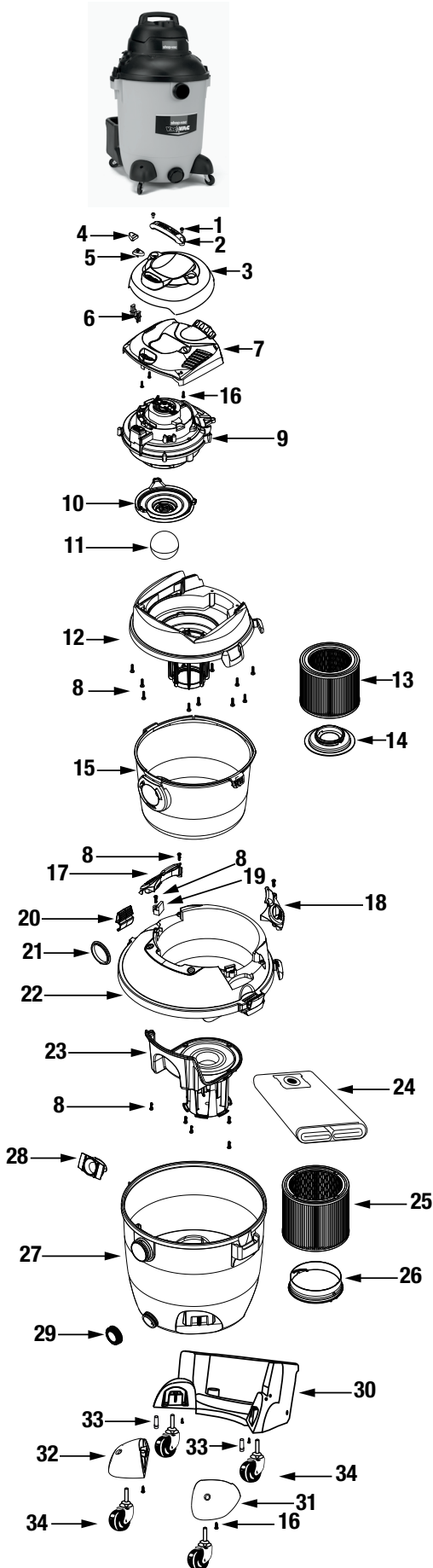


[Find Your Shop Vac Vacuum Cleaner Parts - Select From 487 Models](#)

----- Manual continues below -----

VN92 Series

Model VN92500A



ITEM	DESCRIPTION	PART NO.
1	Screw 1/4 x 1.5" Trilobe PH Pan	1517499
2	Handle	1944475
3	Outer Motor Cover (Includes 4 & 5)	3740556
4	Switch Button - I	7414200
5	Switch Button - O	7414210
6	Switch Button Extension	7414250
7	Inner Motor Cover	3741054
8	Screw 10 x 3/4" SL Hex Head	1517699
9	Power Unit Assembly	8137297
10	Grid Plate	8866010
11	Ball Float	0081120
12	Lid Cage and Latch Assembly	1945396
13	Cartridge Filter	90398
14	Filter Retainer	3183000
15	Tank Assembly	1094797
16	Screw 1/4 x 3/4 Trilobe	1503999
17	Securement Arm - Left	3540721
18	Securement Arm - Right	3540701
19	Stop	3540751
20	Lid Latch	7444500
21	Inlet Gasket	2075000
22	Cradle Assembly (Includes 17-21)	1944447
23	Filter Cage Assembly	1944433
24	Collection Bag	90662
25	Cartridge Filter	90304
26	Filter Retainer	3008000
27	Tank Assembly (Includes 28 & 29)	1094897
28	Inlet Deflector	7413120
29	Drain Cover	7446800
30	Rear Dolly / Basket (Includes #32)	7417710
31	Caster Foot A	8568000
32	Caster Foot B	8568010
33	Retainer	8565500
34	Caster	6771200

* Replacement parts may differ from original equipment.