

This Owner's Manual is provided and hosted by [Appliance Factory Parts](#).



Black & Decker FV850 Owner's Manual

[Shop genuine replacement parts for Black & Decker
FV850](#)



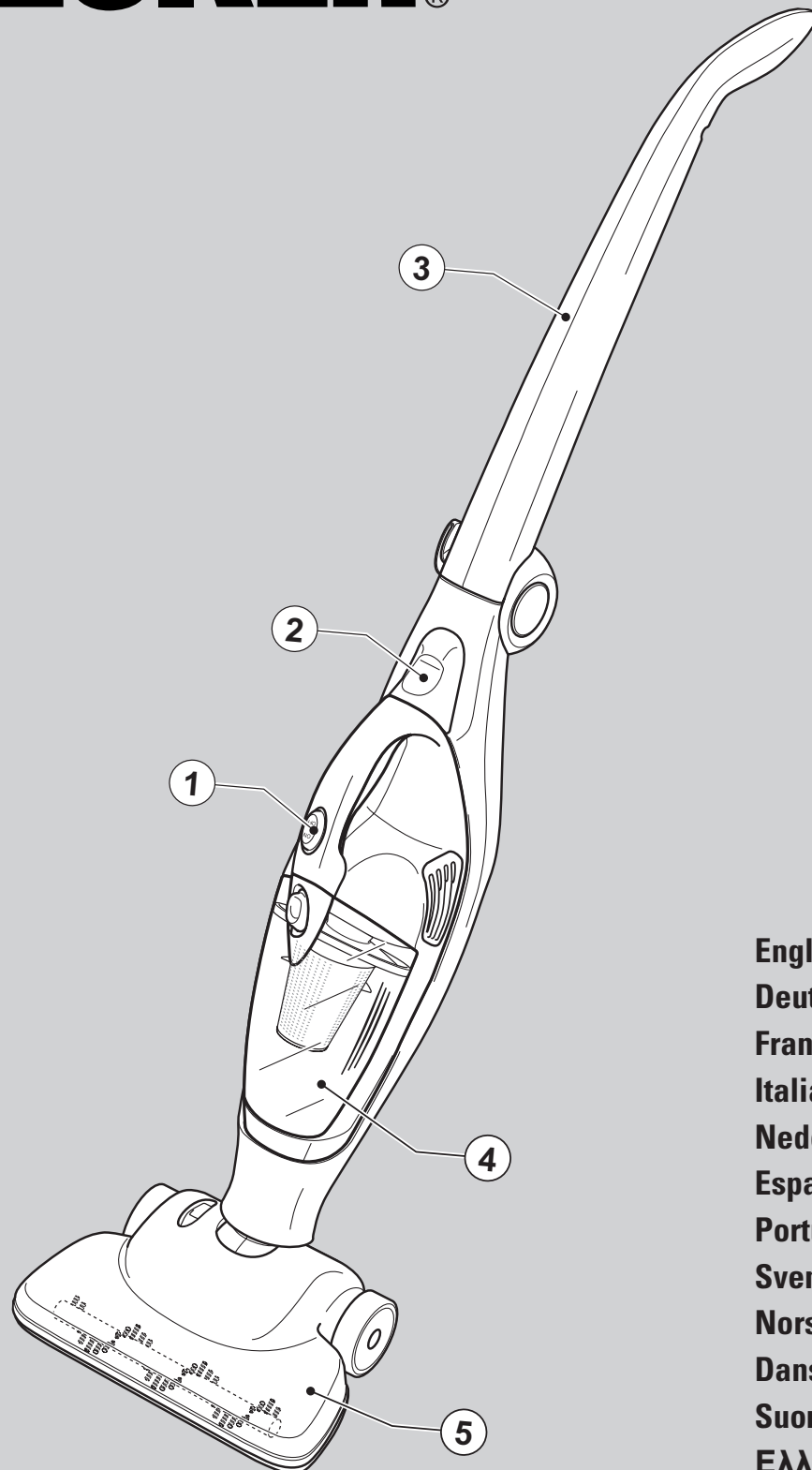
[Find Your Black & Decker Vacuum Cleaner Parts - Select From 339 Models](#)

----- Manual continues below -----

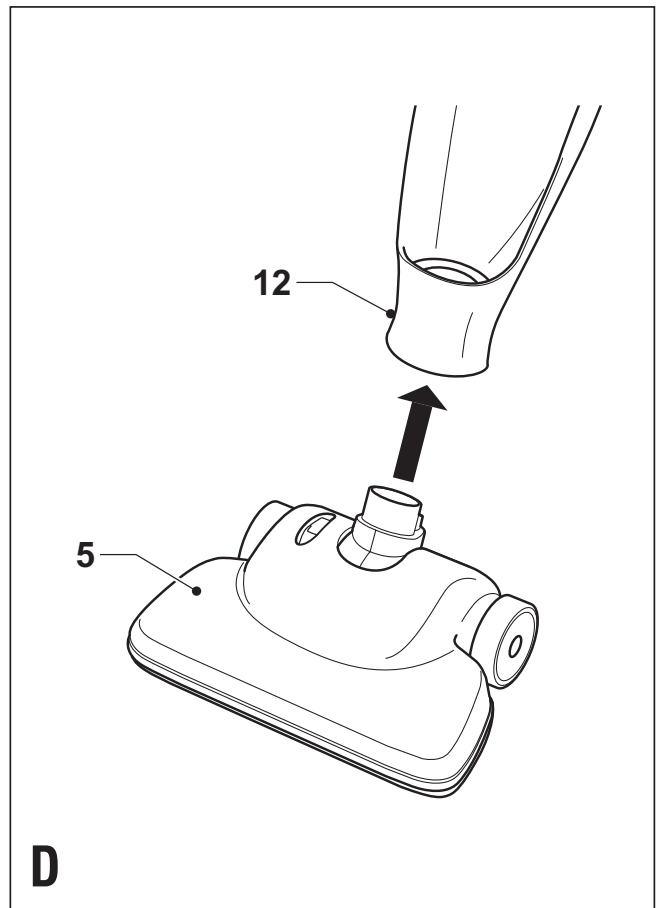
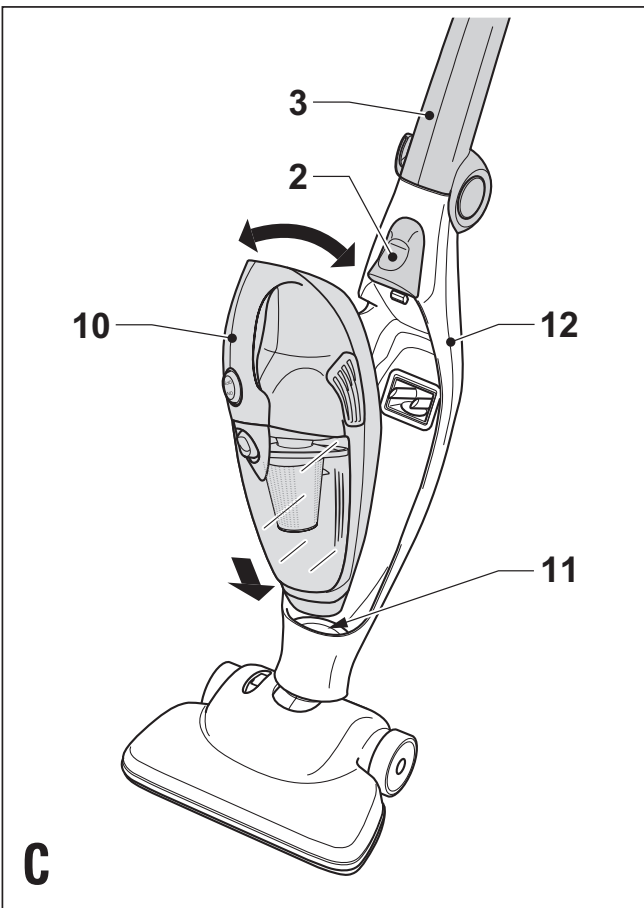
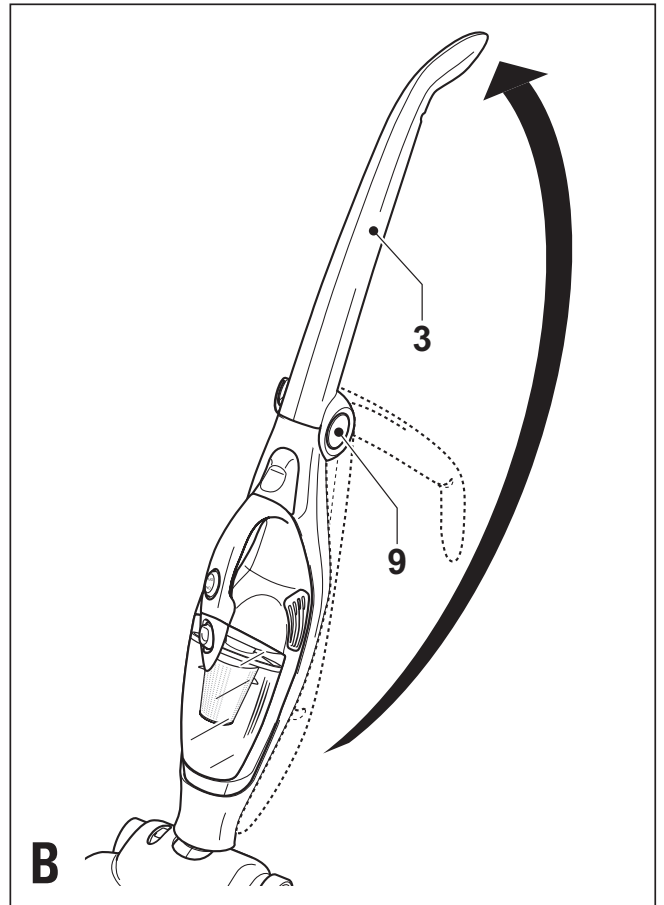
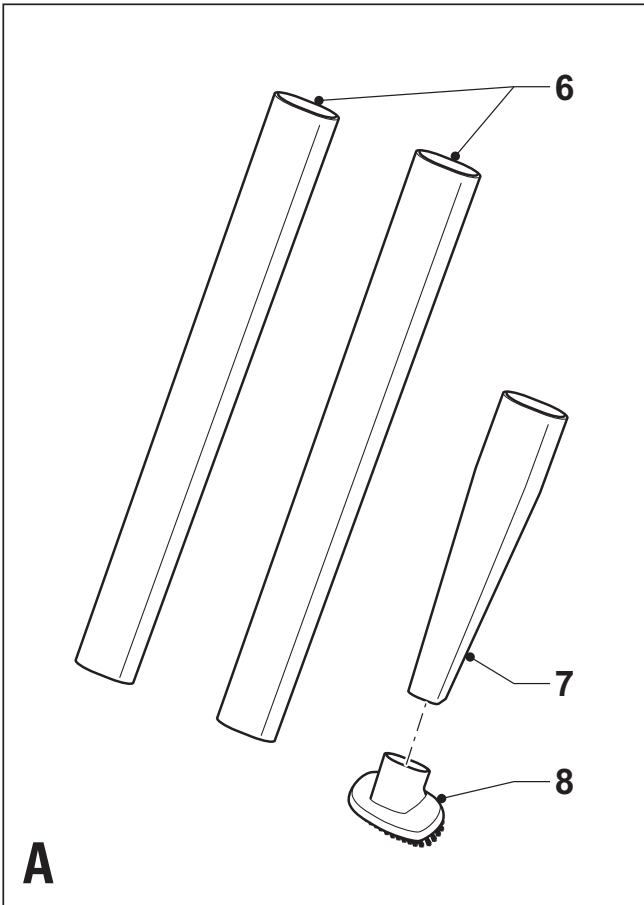


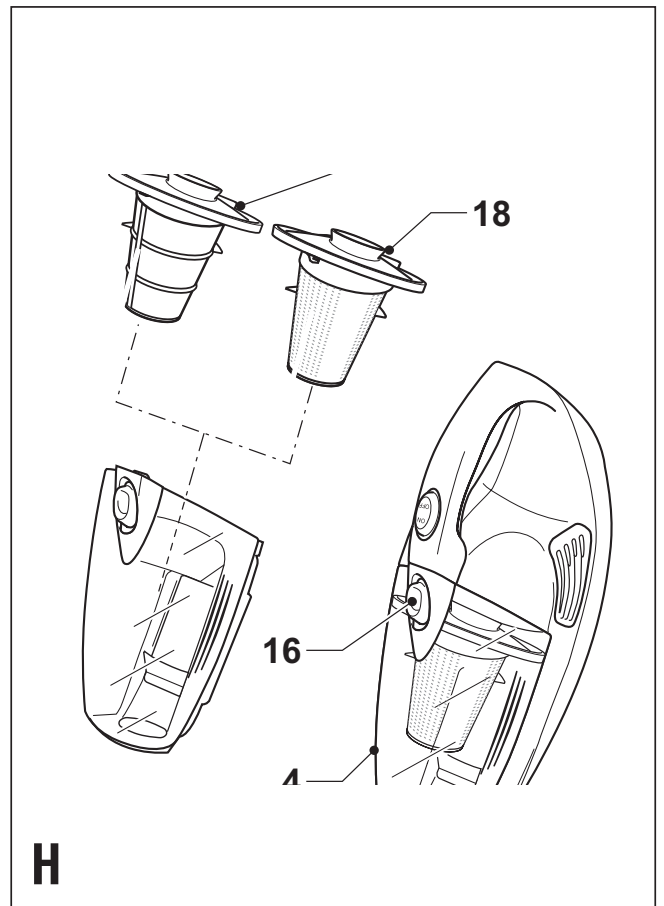
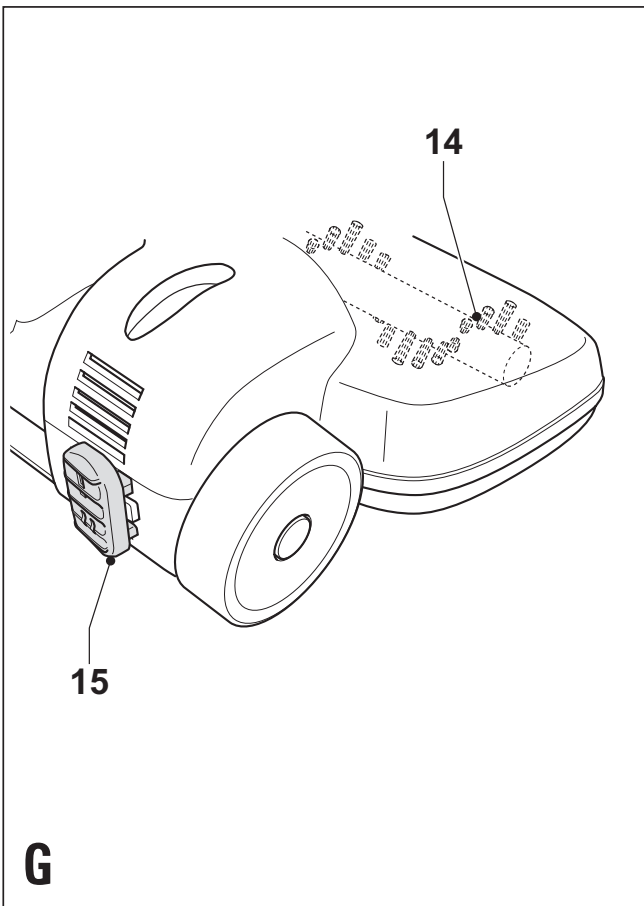
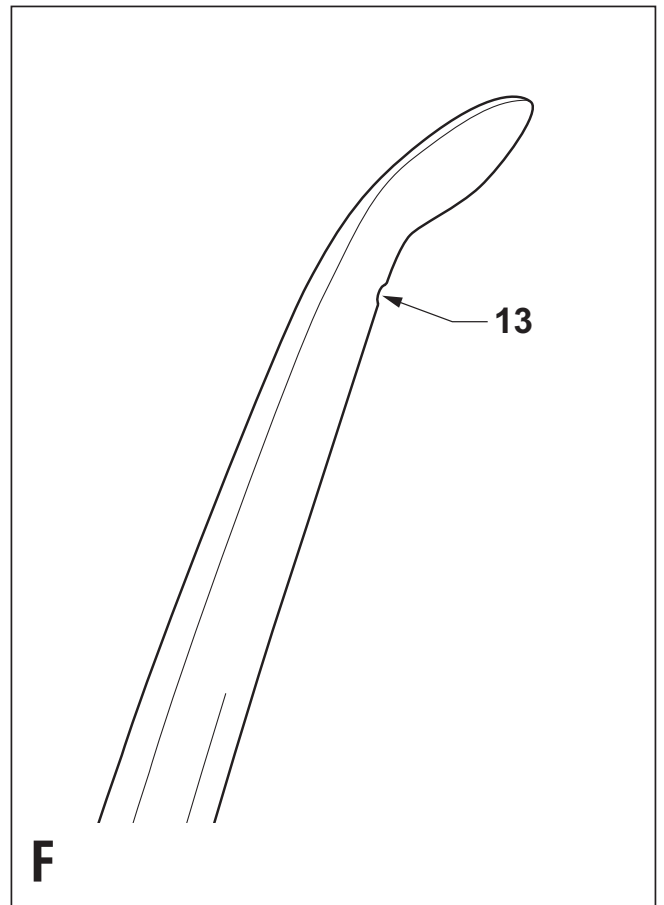
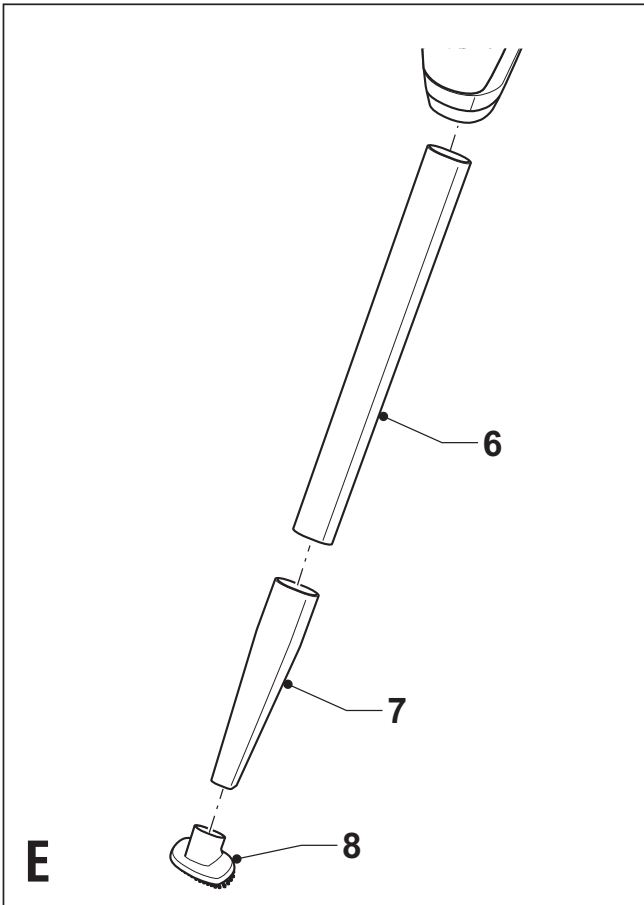
BLACK & DECKER®

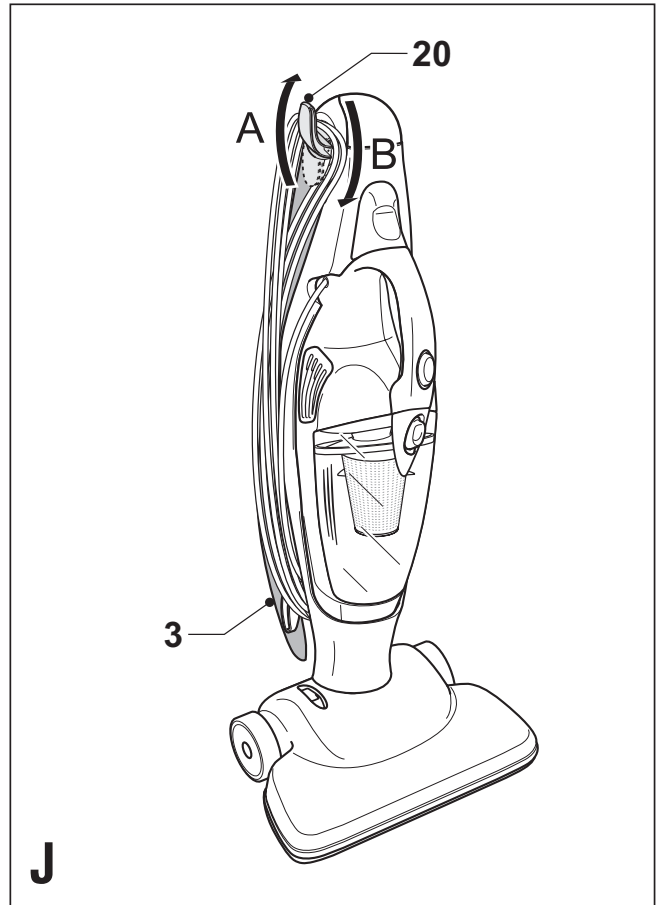
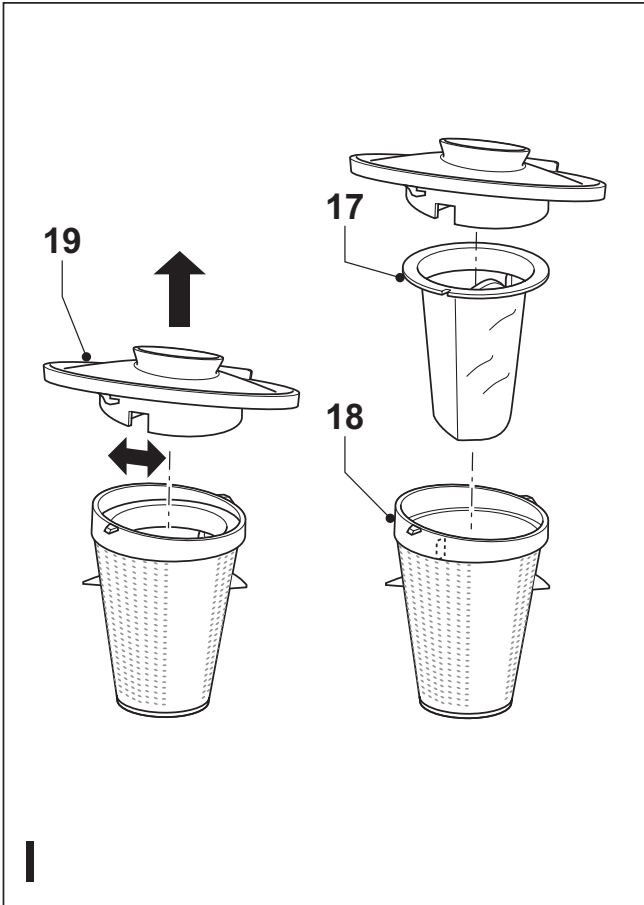
www.blackanddecker.com



English	5
Deutsch	9
Français	13
Italiano	17
Nederlands	21
Español	25
Português	29
Svenska	33
Norsk	37
Dansk	41
Suomi	45
Ελληνικά	48







Intended use

Your Black & Decker Dustbuster® Stick Vac has been designed for light dry vacuum cleaning.

This product is intended for household use only.

Safety instructions

- ◆ **Warning!** When using mains-powered appliances, basic safety precautions, including the following, should always be followed to reduce the risk of fire, electric shock, personal injury and material damage.
- ◆ Read all of this manual carefully before using the appliance.
- ◆ The intended use is described in this manual. The use of any accessory or attachment or the performance of any operation with this appliance other than those recommended in this instruction manual may present a risk of personal injury.
- ◆ Retain this manual for future reference.

Using your appliance

- ◆ Make sure that the appliance is switched off before connecting to or disconnecting from the power supply.
- ◆ Always take care when using the appliance.
- ◆ Do not use the appliance outdoors.
- ◆ Do not leave the appliance unattended while it is connected to the power supply.
- ◆ Never pull the power supply cord to disconnect the plug from the socket. Keep the power supply cord away from heat, oil and sharp edges.
- ◆ If the power supply cord is damaged during use, disconnect the appliance from the power supply immediately. Do not touch the power supply cord before disconnecting from the power supply.
- ◆ Disconnect the appliance from the power supply when not in use, before fitting or removing parts and before cleaning.

Safety of others

- ◆ Do not allow children or any person unfamiliar with these instructions to use the appliance.
- ◆ Do not allow children or animals to come near the work area or to touch the appliance or power supply cord. Close supervision is necessary when the appliance is used near children.

After use

- ◆ Switch off and remove the plug from the socket before leaving the appliance unattended and before changing, cleaning or inspecting any parts of the appliance.
- ◆ When not in use, the appliance should be stored in a dry place. Children should not have access to stored appliances.

Inspection and repairs

- ◆ Before use, check the appliance for damaged or defective parts. Check for breakage of parts, damage to switches and any other conditions that may affect its operation.
- ◆ Do not use the appliance if any part is damaged or defective.
- ◆ Have any damaged or defective parts repaired or replaced by an authorised repair agent.
- ◆ Before use, check the power supply cord for signs of damage, ageing and wear.
- ◆ Do not use the appliance if the power supply cord or mains plug is damaged or defective.
- ◆ If the power supply cord or mains plug is damaged or defective it must be repaired by an authorised repair agent in order to avoid a hazard. Do not cut the power supply cord and do not attempt to repair it yourself.
- ◆ Never attempt to remove or replace any parts other than those specified in this manual.

Double insulation



This appliance is double insulated; therefore no earth wire is required. Always check that the power supply corresponds to the voltage on the rating plate.

Additional safety instructions for vacuum cleaners

- ◆ Do not use the appliance to pick up hot objects
- ◆ Do not use the appliance to pick up liquids.
- ◆ Do not use the appliance to pick up any materials that could catch fire.
- ◆ Do not use the appliance near water.
- ◆ Do not immerse the appliance in water or any other liquid.
- ◆ Keep the motor draught away from your eyes and face.
- ◆ Keep your hair, clothing and gloves away from moving parts.
- ◆ Use caution when using the appliance at the top of stairs or near children.
- ◆ Always work from bottom up when using the appliance on stairs.
- ◆ Always route the cord carefully to avoid a tripping hazard
- ◆ Keep children and animals at a safe distance when using this appliance.
- ◆ Do not use the appliance to vacuum any electrical appliances while they are plugged in.
- ◆ Do not use the appliance to pick up sharp objects that could damage the filter or other parts.
- ◆ Do not use the appliance without the dust bowl or filters in place.

Features

1. On/off switch
2. Release button
3. Handle
4. Dust bowl
5. Suction head

Fig. A

- 6. Extension tubes
- 7. Crevice tool
- 8. Brush tool

Assembly

Warning! Make sure that the appliance is switched off and unplugged.

Raising and folding the handle (fig. B)**Raising**

- ◆ Press the release button (9).
- ◆ Raise the handle until it clicks into place.

Folding

- ◆ Press the release button (9).
- ◆ Lower the handle until it clicks into place.

Fitting and removing the hand-held vacuum cleaner (fig. C)**Fitting**

- ◆ Position the front (10) of the appliance in the lower part (11) of the base.
- ◆ Push the back end of the appliance down into the base (12) until a click is heard.

Removing

- ◆ Hold the appliance at the handle.
- ◆ Keep the release button (2) depressed.
- ◆ Pull out the back end of the appliance.
- ◆ Lift the appliance off the base.

Fitting the suction head (fig. D)

- ◆ Slide the head (5) into the nozzle of the base (12).
- ◆ To remove the head, pull it off the base.

Fitting the accessories (fig. E)

The accessories provided can be used in various combinations, depending on the task:

- General vacuuming / dusting (7 & 8)
- Vacuuming in confined spaces (7)

To fit an accessory, proceed as follows:

- ◆ Remove the appliance from the base.
- ◆ Insert the appropriate accessory into the front of the appliance.
- ◆ If necessary, fit the required number of tubes (6) between the appliance and the accessory to extend the working height.

Use

Warning! Before connecting to the power supply, make sure that the appliance is switched off.

Switching on and off

- ◆ To switch the appliance on, slide the on/off switch (1) forward.
- ◆ To switch the appliance off, slide the on/off switch backward.

Warning! Make sure the accessories are securely attached before switching on. Keep a firm grip on the appliance when switching on and during use.

Operating the appliance

The appliance can be used either with the long handle as an upright vacuum cleaner or without the long handle as a hand-held vacuum cleaner:

Operating as an upright vacuum cleaner (fig. F & G)

The upright vacuum cleaner is used for vacuuming hard floors, carpets and rugs.

- ◆ Raise the handle (3).
- ◆ Clip the cable end leading to the appliance into the cable restraint (13).
- ◆ Switch the appliance on.
- ◆ If the appliance is locked in the upright position by the suction head, hold the head in place with your foot and pull at the handle until the head dislocates.

The brush roller (14) is needed when cleaning rugs and carpets.

- ◆ To switch on the brush roller, press the button (15).
- ◆ To switch off the brush roller, press the button (15) again.

Operating as a hand-held vacuum cleaner

The hand-held vacuum cleaner is for use on upholstery and in confined spaces.

- ◆ Remove the hand-held vacuum cleaner from the base.
- ◆ If necessary, fit the required accessory.
- ◆ Switch the appliance on.

Thermal safeguard

The motor of the appliance is fitted with a thermal safeguard. This device automatically switches the appliance off in case of overheating. If this occurs, proceed as follows:

- ◆ Switch the appliance off and remove the plug from the wall socket.
- ◆ Allow the unit to cool. When the unit has cooled down, empty the dust bowl and clean the filter.
- ◆ Re-insert the plug in the wall socket and switch the appliance on.

Emptying the dust bowl (fig. H & I)

When the dust bowl is full or the filter is clogged, the bowl should be emptied. Always empty the dust bowl into a waste bin outdoors.

FV750

- ◆ Release the bowl (4) by pushing the button (16) forward. While keeping the button in forward position remove the bowl from the appliance.
- ◆ Take the filter (17) out of the dust bowl.
- ◆ Empty the dust bowl.
- ◆ Refit the filter.
- ◆ Refit the dust bowl into the appliance. Make sure the dust bowl clicks into place.

FV850

- ◆ Release the bowl (4) by pushing the button (16) forward. While keeping the button in forward position remove the bowl from the appliance.
- ◆ Take the filter holder (18) out of the dust bowl.
- ◆ Empty the dust bowl.
- ◆ Open the cover (19) as shown (fig. I).
- ◆ Pull the filter (17) out of the filter holder (19).
- ◆ Refit the filter.
- ◆ Refit the cover
- ◆ Refit the dust bowl into the appliance. Make sure the dust bowl clicks into place.

Cleaning, maintenance and storage

Your tool has been designed to operate over a long period of time with a minimum of maintenance. Continuous satisfactory operation depends upon proper tool care and regular cleaning.

- ◆ Frequently clean the filter to avoid overheating.
- ◆ Regularly clean the ventilation slots in your tool using a soft brush.
- ◆ Regularly clean the motor housing using a damp cloth. Do not use any abrasive or solvent-based cleaner.

Cleaning the dust bowl and the filter (fig. H & I)

The filter is reusable and should be cleaned frequently. It should be replaced when it is worn or damaged.

- ◆ Empty the dust bowl as described above.
- ◆ Brush any loose dust off the filter (17).
- ◆ Wash the filter and the dust bowl in warm, soapy water.
- ◆ Make sure that the dust bowl and the filter are completely dry.
- ◆ Refit the filter.
- ◆ Refit the dust bowl into the appliance. Make sure the dust bowl clicks into place.

FV850 - Replacing the HEPA filter (fig. I)

The HEPA filter reduces the amount of dust exiting the motor housing to a minimum. The filter should be replaced whenever worn or damaged. Replacement filters are available from your Black & Decker dealer.

- ◆ Empty the dust bowl as described above.
- ◆ Open the cover (19).
- ◆ Remove the old filter (17).
- ◆ Insert the new filter as shown.
- ◆ Refit the cover.
- ◆ Refit the dust bowl into the appliance. Make sure the dust bowl clicks into place.

Storing the appliance (fig. J)

- ◆ Place the appliance in an upright position.
- ◆ Fold the handle (3).
- ◆ Set the hook (18) to the up position (A).
- ◆ Wind the cord around the upper and the lower hook.

To release the cord:

- ◆ Set the hook (18) to the down position (B) or raise the handle.

Mains plug replacement (U.K. & Ireland only)

If a new mains plug needs to be fitted:

- ◆ Safely dispose of the old plug.
- ◆ Connect the brown lead to the live terminal in the new plug.
- ◆ Connect the blue lead to the neutral terminal.

Warning! No connection is to be made to the earth terminal. Follow the fitting instructions supplied with good quality plugs. Recommended fuse: 5 A.

Protecting the environment

Separate collection. This product must not be disposed of with normal household waste.

Should you find one day that your Black & Decker product needs replacement, or if it is of no further use to you, do not dispose of it with household waste. Make this product available for separate collection.



Separate collection of used products and packaging allows materials to be recycled and used again. Re-use of recycled materials helps prevent environmental pollution and reduces the demand for raw materials.

Local regulations may provide for separate collection of electrical products from the household, at municipal waste sites or by the retailer when you purchase a new product.

Black & Decker provides a facility for the collection and recycling of Black & Decker products once they have reached the end of their working life. To take advantage of this service please return your product to any authorised repair agent who will collect them on our behalf.

You can check the location of your nearest authorised repair agent by contacting your local Black & Decker office at the address indicated in this manual. Alternatively, a list of authorised Black & Decker repair agents and full details of our after-sales service and contacts are available on the Internet at: **www.2helpU.com**

Technical data

		FV750	FV850
Voltage	V _{AC}	230	230
Power input	W	750	850
Weight	kg	3.6	3.6

EC declaration of conformity

FV750/FV850

Black & Decker declares that these products conform to:
89/336/EEC, 73/23/EEC, EN 50144, EN 55014



Kevin Hewitt
Director of Consumer Engineering
Spennymoor, County Durham DL16 6JG,
United Kingdom
1-11-2004

Guarantee

Black & Decker is confident of the quality of its products and offers an outstanding guarantee. This guarantee statement is in addition to and in no way prejudices your statutory rights. The guarantee is valid within the territories of the Member States of the European Union and the European Free Trade Area.

If a Black & Decker product becomes defective due to faulty materials, workmanship or lack of conformity, within 24 months from the date of purchase, Black & Decker guarantees to replace defective parts, repair products subjected to fair wear and tear or replace such products to ensure minimum inconvenience to the customer unless:

- ◆ The product has been used for trade, professional or hire purposes;
- ◆ The product has been subjected to misuse or neglect;
- ◆ The product has sustained damage through foreign objects, substances or accidents;
- ◆ Repairs have been attempted by persons other than authorised repair agents or Black & Decker service staff.

To claim on the guarantee, you will need to submit proof of purchase to the seller or an authorised repair agent. You can check the location of your nearest authorised repair agent by contacting your local Black & Decker office at the address indicated in this manual. Alternatively, a list of authorised Black & Decker repair agents and full details of our after-sales service and contacts are available on the Internet at:

www.2helpU.com

Please visit our website **www.blackanddecker.co.uk** to register your new Black & Decker product and to be kept up to date on new products and special offers. Further information on the Black & Decker brand and our range of products is available at **www.blackanddecker.co.uk**

Bestimmungsgemäße Verwendung

Ihr Black & Decker Dustbuster® Stick Vac wurde für leichte Trockensaugarbeiten konstruiert. Dieses Gerät ist nicht für den gewerblichen Einsatz vorgesehen.

Sicherheitsanweisungen

- ◆ **Achtung!** Bei der Verwendung netzbetriebener Geräte sind zum Schutz vor Feuergefahr, elektrischen Schlägen sowie Körperverletzungen und Sachschäden grundlegende Sicherheitsmaßnahmen einschließlich der folgenden Vorschriften zu beachten.
- ◆ Lesen Sie diese Anleitung genau durch, bevor Sie das Gerät verwenden.
- ◆ Die bestimmungsgemäße Verwendung ist in dieser Bedienungsanleitung beschrieben. Das Verwenden anderer als der in dieser Anleitung empfohlenen Vorsatzgeräte und Zubehörteile oder die Ausführung von Arbeiten mit diesem Gerät, die nicht der bestimmungsgemäßen Verwendung entsprechen, kann zu Unfallgefahren führen.
- ◆ Bewahren Sie diese Anleitung auf.

Gebrauch des Gerätes

- ◆ Stellen Sie sicher, daß das Gerät ausgeschaltet ist, bevor Sie es mit der Stromversorgung verbinden oder von ihr trennen.
- ◆ Gehen Sie beim Gebrauch des Geräts stets vorsichtig vor.
- ◆ Verwenden Sie das Gerät nicht im Freien.
- ◆ Lassen Sie das Gerät nicht unbeaufsichtigt, solange es mit dem Stromnetz verbunden ist.
- ◆ Benutzen Sie nicht das Kabel, um den Stecker aus der Steckdose zu ziehen. Schützen Sie das Kabel vor Hitze, Öl und scharfen Kanten.
- ◆ Wird das Kabel während des Gebrauchs beschädigt, trennen Sie das Gerät sofort vom Netz. Berühren Sie das Kabel nicht, solange es noch am Netz angeschlossen ist.
- ◆ Trennen Sie das Gerät vom Netz, wenn es nicht gebraucht wird, bevor Teile angebracht oder entfernt werden und bevor das Gerät gereinigt wird.

Sicherheit anderer Personen

- ◆ Untersagen Sie Kindern sowie Personen, die mit dem Inhalt dieser Anleitung nicht vertraut sind, die Verwendung dieses Geräts.
- ◆ Halten Sie Kinder und Tiere vom Arbeitsbereich fern, und sorgen Sie dafür, daß Gerät und Netzkabel nicht berührt werden. Wird das Gerät in der Nähe von Kindern verwendet, so ist äußerste Achtsamkeit geboten.

Nach der Verwendung

- ◆ Schalten Sie das Gerät aus, und ziehen Sie den Stecker aus der Steckdose, bevor Sie das Gerät unbeaufsichtigt zurücklassen und bevor Sie Teile des Gerätes verändern, reinigen oder überprüfen.
- ◆ Das unbenutzte Gerät ist an einem trockenen Ort aufzubewahren. Kinder sollten keinen Zugang zu aufbewahrten Geräten haben.

Überprüfung und Reparaturen

- ◆ Überprüfen Sie das Gerät vor dem Gebrauch auf beschädigte oder defekte Teile. Prüfen Sie, ob Teile gebrochen, Schalter beschädigt oder andere Zustände eingetreten sind, die die Funktion des Gerätes beeinträchtigen.
- ◆ Benutzen Sie das Gerät nicht, wenn irgendein Teil defekt ist.
- ◆ Lassen Sie defekte Teile immer von einer unserer Kundendienstwerkstätten reparieren oder austauschen.
- ◆ Überprüfen Sie vor dem Gebrauch das Netzkabel auf Beschädigung, Alterung und Verschleiß.
- ◆ Verwenden Sie das Gerät nicht, falls das Netzkabel oder der Netzstecker beschädigt ist.
- ◆ Falls das Netzkabel oder der Netzstecker beschädigt ist, so sind die beschädigten Teile von einer autorisierten Reparaturwerkstatt auszutauschen, um Gefahren vorzubeugen. Schneiden Sie nicht in das Netzkabel, und versuchen Sie nicht, das Kabel selbst zu reparieren.
- ◆ Versuchen Sie nie, irgendwelche Teile zu entfernen oder auszutauschen, die nicht in dieser Anleitung beschrieben werden.

Schutzisolation



Dieses Gerät ist schutzisoliert, daher ist keine Erdleitung erforderlich. Überprüfen Sie immer, ob die Netzspannung der auf dem Typenschild des Geräts angegebenen Spannung entspricht.

Zusätzliche Sicherheitsanweisungen für Staubsauger

- ◆ Saugen Sie keine heißen Gegenstände mit dem Gerät auf.
- ◆ Saugen Sie keine Flüssigkeiten mit dem Gerät auf.
- ◆ Saugen Sie kein feuergefährliches Material mit dem Gerät auf.
- ◆ Verwenden Sie das Gerät nicht in der Nähe von Wasser.
- ◆ Tauchen Sie das Gerät niemals in Wasser oder andere Flüssigkeiten ein.
- ◆ Halten Sie den Saugstutzen von Augen und Gesicht fern.
- ◆ Halten Sie Haare, Kleidung und Handschuhe fern von sich bewegenden Teilen.
- ◆ Gehen Sie vorsichtig vor, wenn das Gerät oben auf Treppen oder in der Nähe von Kindern verwendet wird.
- ◆ Arbeiten Sie stets von unten nach oben, wenn das Gerät auf Treppen verwendet wird.

- ◆ Führen Sie das Kabel stets vorsichtig, um Stolperfallen zu vermeiden.
- ◆ Halten Sie Kinder und Tiere beim Gebrauch des Gerätes in einem sicheren Abstand.
- ◆ Verwenden Sie das Gerät nicht, um elektrische Geräte abzusaugen, solange diese noch mit dem Stromnetz verbunden sind.
- ◆ Verwenden Sie das Gerät nicht, um scharfe Gegenstände aufzusaugen, die den Filter oder andere Teile beschädigen können.
- ◆ Verwenden Sie das Gerät nicht, wenn der Schmutzfangbehälter und die Filter nicht an ihren entsprechenden Plätzen angebracht sind.

Merkmale

1. Ein-/Aus-Schalter
2. Entriegelungsknopf
3. Handgriff
4. Schmutzfangbehälter
5. Saugkopf

Abb. A

6. Verlängerungsrohre
7. Fugendüse
8. Bürstendüse

Montage

Achtung! Vergewissern Sie sich, daß das Gerät ausgeschaltet ist und der Netzstecker gezogen wurde.

Aus- und Einfalten des Handgriffs (Abb. B)

Ausfalten

- ◆ Drücken Sie auf den Entriegelungsknopf (9).
- ◆ Heben Sie den Handgriff an, bis er in seiner Lage einrastet.

Einfalten

- ◆ Drücken Sie auf den Entriegelungsknopf (9).
- ◆ Senken Sie den Handgriff, bis er in seiner Lage einrastet.

Anbringen und Entfernen des Handstaubsaugers (Abb. C)

Anbringen

- ◆ Positionieren Sie die Vorderseite (10) des Geräts im unteren Teil (11) des Fußes.
- ◆ Schieben Sie das hintere Ende des Geräts nach unten in den Fuß (12), bis ein Klicken zu hören ist.

Entfernen

- ◆ Halten Sie das Gerät am Handgriff.
- ◆ Halten Sie den Entriegelungsknopf (2) gedrückt.
- ◆ Ziehen Sie das rückwärtige Ende des Geräts heraus.

- ◆ Heben Sie das Gerät vom Fuß.

Anbringen des Saugkopfs (Abb. D)

- ◆ Schieben Sie den Saugkopf (5) in die Düse des Fußes (12).
- ◆ Um den Saugkopf zu entfernen, ziehen Sie ihn vom Fuß.

Anbringen des Zubehörs (Abb. E)

Das mitgelieferte Zubehör kann je nach Aufgabe in verschiedenen Kombinationen verwendet werden:

- Allgemeine Staubsaugarbeiten / Entstauben (7 & 8)
- Staubsaugarbeiten an unzugänglichen Stellen (7)

Um ein Zubehörteil anzubringen, gehen Sie folgendermaßen vor:

- ◆ Entfernen Sie das Gerät vom Fuß.
- ◆ Stecken Sie das gewünschte Zubehörteil vorne in das Gerät.
- ◆ Bringen Sie gegebenenfalls die erforderliche Anzahl an Rohren (6) zwischen dem Gerät und dem Zubehör an, um die Arbeitshöhe zu verlängern.

Gebrauch

Achtung! Vor dem Anschließen des Geräts an das Stromnetz stellen Sie sicher, daß das Gerät ausgeschaltet ist.

Ein- und Ausschalten

- ◆ Zum Einschalten des Geräts schieben Sie den Ein-/Ausschalter (1) nach vorn.
- ◆ Zum Ausschalten des Geräts schieben Sie den Ein-/Ausschalter nach hinten.

Achtung! Stellen Sie sicher, daß das Zubehör sicher angebracht ist, bevor Sie das Gerät einschalten. Halten Sie das Gerät beim Einschalten und beim Gebrauch sicher fest.

Betrieb des Geräts

Sie können das Gerät entweder mit dem langen Handgriff als aufrecht stehenden Staubsauger, oder aber ohne den langen Handgriff als Handstaubsauger verwenden:

Betrieb als aufrecht stehender Staubsauger (Abb. F & G)

Der aufrecht stehende Staubsauger dient zum Staubsaugen von Hartböden, Teppichen und Vorlegern.

- ◆ Heben Sie den Handgriff (3) an.
- ◆ Klemmen Sie das Kabelende, das zum Gerät führt, in die Zugentlastung (13).
- ◆ Schalten Sie das Gerät ein.
- ◆ Ist das Gerät durch den Saugkopf in der aufrechten Stellung arretiert, halten Sie den Saugkopf mit Ihrem Fuß in seiner Lage und ziehen Sie am Handgriff, bis der Saugkopf versetzt wird.

Die Bürstenwalze (14) wird für das Reinigen von Vorlegern und Teppichen benötigt.

- ◆ Um die Bürstenwalze einzuschalten, drücken Sie auf den Knopf (15).
- ◆ Um die Bürstenwalze auszuschalten, drücken Sie erneut auf den Knopf (15).

Betrieb als Handstaubsauger

Als Handstaubsauger können mit dem Gerät Polster und unzugängliche Stellen abgesaugt werden.

- ◆ Entfernen Sie den Handstaubsauger vom Fuß.
- ◆ Bringen Sie gegebenenfalls das nötige Zubehör an.
- ◆ Schalten Sie das Gerät ein.

Überhitzungsschutz

Der Motor des Geräts ist mit einem Überhitzungsschutz ausgestattet. Diese Vorrichtung schaltet das Gerät im Falle einer Überhitzung automatisch aus. Tritt dies ein, gehen Sie folgendermaßen vor:

- ◆ Schalten Sie das Gerät aus, und ziehen Sie den Stecker aus der Steckdose.
- ◆ Lassen Sie das Gerät abkühlen. Nachdem sich das Gerät abgekühlt hat, leeren Sie den Schmutzfangbehälter und reinigen Sie den Filter.
- ◆ Stecken Sie den Stecker wieder in die Steckdose und schalten Sie das Gerät an.

Leeren des Schmutzfangbehälters (Abb. H & I)

Falls der Schmutzfangbehälter voll oder der Filter verstopft ist, so muß der Behälter geleert werden. Entleeren Sie den Schmutzfangbehälter stets im Freien in einem Abfalleimer.

FV750

- ◆ Lösen Sie den Behälter (4), indem Sie den Knopf (16) nach vorne schieben. Während der Knopf in der vorderen Stellung gehalten wird, nehmen Sie den Behälter vom Gerät ab.
- ◆ Nehmen Sie den Filter (17) aus dem Schmutzfangbehälter heraus.
- ◆ Leeren Sie den Schmutzfangbehälter.
- ◆ Setzen Sie den Filter wieder ein.
- ◆ Setzen Sie den Schmutzfangbehälter wieder in das Gerät. Stellen Sie sicher, daß der Schmutzfangbehälter richtig einrastet.

FV850

- ◆ Lösen Sie den Behälter (4), indem Sie den Knopf (16) nach vorne schieben. Während der Knopf in der vorderen Stellung gehalten wird, nehmen Sie den Behälter vom Gerät ab.
- ◆ Nehmen Sie den Filterhalter (18) aus dem Schmutzfangbehälter heraus.
- ◆ Leeren Sie den Schmutzfangbehälter.
- ◆ Öffnen Sie wie angegeben den Deckel (19) (Abb. I).

- ◆ Ziehen Sie den Filter (17) aus dem Filterhalter (19) heraus.
- ◆ Setzen Sie den Filter wieder ein.
- ◆ Bringen Sie den Deckel wieder an.
- ◆ Setzen Sie den Schmutzfangbehälter wieder in das Gerät. Stellen Sie sicher, daß der Schmutzfangbehälter richtig einrastet.

Reinigung, Wartung und Aufbewahrung

Ihr Gerät wurde im Hinblick auf eine lange Lebensdauer und einen möglichst geringen Wartungsaufwand entwickelt. Ein dauerhafter, einwandfreier Betrieb setzt eine regelmäßige Pflege und Reinigung voraus.

- ◆ Reinigen Sie häufig den Filter, um eine Überhitzung zu vermeiden.
- ◆ Reinigen Sie regelmäßig die Lüftungsschlitze im Gerät mit Hilfe einer weichen Bürste.
- ◆ Reinigen Sie regelmäßig das Motorgehäuse mit Hilfe eines feuchten Tuches.
Verwenden Sie keine scheuernden Reinigungsmittel oder Reinigungsmittel auf Lösungsmittelbasis.

Reinigung des Schmutzfangbehälters und des Filters (Abb. H & I)

Der Filter ist wiederverwertbar und sollte häufig gereinigt werden. Ist er verschlissen oder beschädigt, so muß er erneuert werden.

- ◆ Entleeren Sie den Schmutzfangbehälter wie oben beschrieben.
- ◆ Bürsten Sie lockeren Staub vom Filter (17).
- ◆ Waschen Sie Filter und Staubfangbehälter in warmem Seifenwasser.
- ◆ Stellen Sie sicher, daß Schmutzfangbehälter und Filter vollkommen trocken sind.
- ◆ Setzen Sie den Filter wieder ein.
- ◆ Setzen Sie den Schmutzfangbehälter wieder in das Gerät. Stellen Sie sicher, daß der Schmutzfangbehälter richtig einrastet.

FV850 - Erneuerung des HEPA-Filters (Abb. I)

Der HEPA-Filter verringert die Staubmenge, die aus dem Motorgehäuse austritt, auf ein Mindestmaß. Der Filter sollte bei Verschleiß oder Beschädigung erneuert werden. Ersatzfilter erhalten Sie bei Ihrem Black & Decker Händler.

- ◆ Entleeren Sie den Schmutzfangbehälter wie oben beschrieben.
- ◆ Öffnen Sie den Deckel (19).
- ◆ Entfernen Sie den alten Filter (17).
- ◆ Setzen Sie den neuen Filter wie angegeben ein.
- ◆ Bringen Sie den Deckel wieder an.
- ◆ Setzen Sie den Schmutzfangbehälter wieder in das Gerät. Stellen Sie sicher, daß der Schmutzfangbehälter richtig einrastet.

Verstauen des Geräts (Abb. J)

- ◆ Stellen Sie das Gerät aufrecht hin.
- ◆ Falten Sie den Handgriff (3) ein.
- ◆ Bringen Sie den Haken (18) in die obere Stellung (A).
- ◆ Wickeln Sie das Kabel um den oberen und unteren Haken.

Um das Kabel abzuwickeln:

- ◆ Bringen Sie den Haken (18) in die untere Stellung (B), um den Handgriff anzuheben.

Umweltschutz



Getrennte Entsorgung. Dieses Produkt darf nicht über den normalen Hausmüll entsorgt werden.

Sollte Ihr Black & Decker Produkt eines Tages erneuert werden müssen, oder falls Sie es nicht weiter verwenden wollen, so darf es nicht über den Hausmüll entsorgt werden. Stellen Sie dieses Produkt zur getrennten Entsorgung bereit.



Durch die getrennte Entsorgung gebrauchter Produkte und Verpackungen können die Materialien recycelt und wiederverwertet werden. Die Wiederverwertung recycelter Materialien schont die Umwelt und verringert die Nachfrage nach Rohstoffen.

Die regionalen Bestimmungen schreiben unter Umständen die getrennte Entsorgung elektrischer Produkte aus dem Haushalt an Sammelstellen oder seitens des Händlers vor, bei dem Sie das neue Produkt erworben haben.

Black & Decker nimmt Ihre ausgedienten Black & Decker Geräte gern zurück und sorgt für eine umweltfreundliche Entsorgung und Wiederverwertung. Um diesen Dienst zu nutzen, schicken Sie bitte Ihr Produkt zu einer Vertragswerkstatt. Hier wird es dann auf unsere Kosten gesammelt.

Die Adresse der zuständigen Black & Decker Vertretung steht in diesem Handbuch, darüber läßt sich die nächstgelegene Vertragswerkstatt ermitteln. Außerdem ist eine Liste der Vertragswerkstätten und aller Kundendienststellen von Black & Decker sowie der zuständigen Ansprechpartner im Internet zu finden unter: **www.2helpU.com**

Technische Daten

		FV750	FV850
Spannung	V _{AC}	230	230
Leistungsaufnahme	W	750	850
Gewicht	kg	3,6	3,6

EU-Konformitätserklärung

FV750/FV850

Black & Decker erklärt hiermit, daß diese Geräte entsprechend folgenden Richtlinien und Normen konzipiert wurden:
89/336/EWG, 73/23/EWG, EN 50144, EN 55014

Kevin Hewitt
Director of Consumer Engineering
Spennymoor, County Durham DL16 6JG,
United Kingdom
1-11-2004

Garantie

Black & Decker vertraut auf die Qualität der eigenen Geräte und bietet dem Käufer eine außergewöhnliche Garantie. Diese Garantiezusage versteht sich unbeschadet der gesetzlichen Gewährleistungsansprüche und schränkt diese keinesfalls ein. Sie gilt in sämtlichen Mitgliedsstaaten der Europäischen Union und der Europäischen Freihandelszone EFTA.

Tritt innerhalb von 24 Monaten ab Kaufdatum an einem Gerät von Black & Decker ein auf Material- oder Verarbeitungsfehler zurückzuführender Mangel auf, garantiert Black & Decker den Austausch defekter Teile, die Reparatur von Geräten mit üblichem Verschleiß bzw. den Austausch eines mangelhaften Geräts, ohne den Kunden dabei mehr als unbedingt nötig in Anspruch zu nehmen, allerdings vorbehaltlich folgender Ausnahmen:

- ◆ wenn das Gerät gewerblich, beruflich oder im Verleihgeschäft benutzt wurde;
- ◆ wenn das Gerät mißbräuchlich verwendet oder mit mangelnder Sorgfalt behandelt wurde;
- ◆ wenn das Gerät durch irgendwelche Fremdeinwirkung beschädigt wurde;
- ◆ wenn ein unbefugter Reparaturversuch durch anderes Personal als das einer Vertragswerkstatt oder des Black & Decker-Kundendienstes unternommen wurde.

Zur Inanspruchnahme dieser Garantie ist dem Verkäufer bzw. der Vertragswerkstatt ein Kaufnachweis vorzulegen. Der Kaufnachweis muß Kaufdatum und Gerätetyp bescheinigen. Die Adresse des zuständigen Büros von Black & Decker steht in dieser Anleitung, darüber läßt sich die nächstgelegene Vertragswerkstatt ermitteln. Außerdem ist eine Liste der Vertragswerkstätten und aller Kundendienststellen von Black & Decker sowie der zuständigen Ansprechpartner im Internet zu finden unter: **www.2helpU.com**

Bitte besuchen Sie unsere Webseite **www.blackanddecker.de**, um Ihr neues Black & Decker Produkt zu registrieren und über neue Produkte und Sonderangebote aktuell informiert zu werden. Weitere Informationen über die Marke Black & Decker und unsere Produkte finden Sie unter **www.blackanddecker.de**

Utilisation prévue

Votre Dustbuster® Stick Vac de Black & Decker est un aspirateur de petits déchets solides.

Ce produit a été conçu uniquement pour une utilisation domestique.

Instructions de sécurité

- ◆ **Attention !** Lors de l'utilisation d'appareils électriques, observez les consignes de sécurité fondamentales, y compris celles qui suivent, afin de réduire les risques d'incendie, de décharges électriques, de blessures et de dommages matériels.
- ◆ Lisez et observez attentivement les instructions avant d'utiliser l'appareil.
- ◆ Le domaine d'utilisation de l'appareil est décrit dans le présent manuel. Une utilisation de l'appareil autre que celle prévue dans le présent manuel ou l'utilisation d'accessoires autres que ceux recommandés dans le présent manuel pourraient entraîner un risque de blessure.
- ◆ Conservez ces instructions à titre de référence.

Utilisation de l'appareil

- ◆ Vérifiez que l'appareil est bien éteint avant de le brancher ou de le débrancher du secteur.
- ◆ Utilisez toujours cet appareil avec précaution.
- ◆ N'utilisez pas l'appareil à l'extérieur.
- ◆ Ne laissez pas l'appareil sans surveillance tant qu'il est branché à la source d'alimentation électrique.
- ◆ Ne tirez jamais sur le câble électrique pour débrancher la prise du secteur. Préservez le câble de la chaleur, de l'huile et des arêtes tranchantes.
- ◆ Si le câble électrique est endommagé pendant l'utilisation, débranchez l'outil immédiatement. Ne touchez pas le câble électrique avant de le débrancher du secteur.
- ◆ Débranchez l'appareil du secteur lorsque vous ne l'utilisez pas, avant d'installer ou d'enlever des pièces et avant de le nettoyer.

Sécurité des tierces personnes

- ◆ Ne laissez jamais aucun enfant ou aucune personne non familiarisée avec ces instructions utiliser cet appareil.
- ◆ Ne laissez pas les enfants ou les animaux s'approcher de l'aire de travail ou toucher l'appareil ou le câble d'alimentation. Il faut redoubler de vigilance lorsque l'appareil est utilisé à proximité d'enfants.

Après emploi

- ◆ Débranchez l'appareil du secteur avant de le laisser sans surveillance et avant de remplacer, de nettoyer ou de contrôler une pièce quelconque de l'ensemble.

- ◆ Rangez l'appareil dans un endroit sec. Ne laissez pas les enfants s'approcher des appareils, même quand ils sont rangés.

Vérifications et réparations

- ◆ Avant d'utiliser l'appareil, vérifiez qu'il n'est pas endommagé et qu'il n'y a pas de pièces défectueuses. Assurez-vous que les pièces et les boutons ne sont pas endommagés et recherchez tout autre facteur qui pourrait nuire à son fonctionnement.
- ◆ N'utilisez pas l'appareil si une pièce est endommagée ou défectueuse.
- ◆ Faites réparer ou remplacer toute pièce endommagée par un réparateur agréé.
- ◆ Avant d'utiliser l'appareil, vérifiez que le câble électrique n'est pas endommagé ni usé.
- ◆ N'utilisez pas cet appareil si le câble électrique ou la prise du secteur sont endommagés ou défectueux.
- ◆ Si le câble électrique est endommagé, il doit être remplacé par un réparateur agréé pour éviter tout accident. Ne coupez pas le câble électrique et n'essayez pas de le réparer vous-même.
- ◆ N'essayez jamais d'enlever ou de changer des pièces autres que celles qui sont spécifiées dans ce manuel.

Double isolation



Cet appareil est doublement isolé ; par conséquent, aucun câble de masse n'est nécessaire. Vérifiez si le voltage mentionné sur la plaque signalétique correspond bien à la tension de réseau sur site.

Consignes supplémentaires de sécurité applicables aux aspirateurs

- ◆ N'utilisez pas l'appareil pour aspirer des objets chauds.
- ◆ N'utilisez pas l'appareil pour aspirer des liquides.
- ◆ N'utilisez pas l'appareil pour aspirer des matières inflammables.
- ◆ N'utilisez pas l'appareil près de l'eau.
- ◆ Ne plongez pas l'appareil dans l'eau ou autres liquides.
- ◆ Éloignez le visage et les yeux du courant d'air provoqué par le moteur.
- ◆ N'approchez pas les cheveux, vêtements ou gants des parties de l'outil en rotation.
- ◆ Faites attention en utilisant l'appareil en haut d'une volée d'escaliers ou à proximité des enfants.
- ◆ Utilisez toujours l'appareil dans le sens de la montée des escaliers.
- ◆ Faites toujours attention au passage du câble électrique pour éviter tout risque de chute.
- ◆ Quand vous utilisez l'appareil, maintenez les enfants et les animaux à une distance de sécurité.

- ◆ N'utilisez pas l'appareil pour aspirer des appareils électriques lorsque que ceux-ci sont branchés.
- ◆ N'utilisez pas l'appareil pour aspirer des objets coupants qui pourraient endommager le filtre ou d'autres pièces.
- ◆ N'utilisez pas l'appareil lorsque le réservoir à poussières ou le filtre ne sont pas en place.

Caractéristiques

1. Interrupteur marche/arrêt
2. Bouton de verrouillage
3. Poignée
4. Réservoir à poussières
5. Suceur

Fig. A

6. Tuyaux prolongateurs
7. Suceur plat
8. Brosse

Montage

Attention ! Assurez-vous que l'appareil est éteint et débranché.

Levage et pliage de la poignée (fig. B)

Levage

- ◆ Appuyez sur le bouton (9)
- ◆ Levez la poignée jusqu'au clic de son enclenchement.

Pliage

- ◆ Appuyez sur le bouton (9)
- ◆ Abaissez la poignée jusqu'au clic de son enclenchement.

Pose et retrait de l'aspirateur portatif (fig. C)

Pose

- ◆ Positionnez la partie avant (10) de l'appareil dans la partie inférieure (11) de la base.
- ◆ Enfoncez l'extrémité arrière de l'appareil dans la base (12) jusqu'au clic.

Retrait

- ◆ Maintenez l'appareil par la poignée.
- ◆ Maintenez le bouton de libération (2) enfoncé.
- ◆ Extrayez la partie arrière de l'outil.
- ◆ Soulevez l'appareil hors de sa base.

Montage du suceur (fig. D)

- ◆ Faites glisser le suceur (5) dans la buse de la base (12).
- ◆ Pour enlever le suceur, retirez-le de la base.

Montage des accessoires (fig. E)

Les accessoires fournis peuvent être utilisés selon diverses combinaisons, selon la tâche à effectuer :

- Dépoussiérage / Aspiration en général (7 & 8)
- Aspiration dans des lieux confinés (7)

Procédez comme suit pour la mise en place d'un accessoire :

- ◆ Retirez l'appareil de sa base.
- ◆ Insérez l'accessoire approprié à l'avant de l'appareil.
- ◆ Si nécessaire, montez le nombre de tuyaux requis (6) entre l'appareil et l'accessoire pour augmenter la hauteur de travail.

Utilisation

Attention ! Avant de brancher l'appareil à la source d'alimentation électrique, assurez-vous qu'il est éteint.

Mise en marche et arrêt

- ◆ Pour mettre l'appareil en marche, faites glisser le bouton marche/arrêt (1) vers l'avant.
- ◆ Pour éteindre l'appareil, faites glisser le bouton marche/arrêt vers l'arrière.

Attention ! Veillez à ce que les accessoires soient bien fixés avant la mise en marche. Maintenez fermement l'appareil lors de la mise en marche et pendant l'utilisation.

Utilisation de l'appareil

Vous pouvez utiliser l'outil soit avec la poignée longue comme un aspirateur droit ou sans la poignée longue comme un aspirateur portatif :

Utilisation comme un aspirateur droit (fig. F & G)

L'aspirateur droit permet d'aspirer les sols durs, les tapis et les moquettes.

- ◆ Levez le levier (3).
- ◆ Insérez l'extrémité du câble menant à l'appareil dans la fixation de câble (13).
- ◆ Allumez l'appareil.
- ◆ Si l'appareil est bloqué en position droite par le suceur, maintenez ce dernier en place avec votre pied et tirez sur la poignée pour déloger le suceur.

Utilisez le balai brosse (14) pour nettoyer les moquettes et les tapis.

- ◆ Pour enclencher le balai brosse, appuyez sur le bouton (15).
- ◆ Pour désenclencher le balai brosse, appuyez à nouveau sur le bouton (15).

Utilisation comme un aspirateur portatif

L'aspirateur portatif est destiné aux tapisseries et aux espaces confinés.

- ◆ Retirez l'aspirateur portatif de sa base.

- ◆ Si nécessaire, montez l'accessoire requis.
- ◆ Allumez l'appareil.

Protection thermique

Le moteur de l'appareil est équipé d'une protection thermique. Ce dispositif met automatiquement l'appareil hors tension en cas de surchauffe. Dans ce cas, procédez comme suit :

- ◆ Eteignez l'appareil et débranchez la prise du secteur.
- ◆ Patientez jusqu'à ce que l'élément ait refroidi. Lorsque l'unité a refroidi, videz le réservoir à poussières et nettoyez le filtre.
- ◆ Rebranchez la prise au secteur et remettez l'appareil en marche.

Comment vider le réservoir à poussières (fig. H & I).

Lorsque le réservoir à poussières est plein ou que le filtre est bouché, le réservoir doit être vidé. N'oubliez pas de toujours vider le réservoir à poussières dans une poubelle située à l'extérieur.

FV750

- ◆ Libérez le réservoir (4) en poussant le bouton (16) en avant. Tout en maintenant le bouton en avant, retirez le réservoir hors de l'appareil.
- ◆ Extrayez le filtre (17) hors du réservoir à poussières.
- ◆ Videz le réservoir à poussières.
- ◆ Remettez le filtre en place.
- ◆ Remettez le réservoir à poussières dans l'appareil. Assurez-vous que le réservoir à poussières est bien enclenché.

FV850

- ◆ Libérez le réservoir (4) en poussant le bouton (16) en avant. Tout en maintenant le bouton en avant, retirez le réservoir hors de l'appareil.
- ◆ Extrayez le support du filtre (18) hors du réservoir à poussières.
- ◆ Videz le réservoir à poussières.
- ◆ Ouvrez le couvercle (19) comme indiqué (fig. I).
- ◆ Sortez le filtre (17) de son support (19).
- ◆ Remettez le filtre en place.
- ◆ Remettez le couvercle.
- ◆ Remettez le réservoir à poussières dans l'appareil. Assurez-vous que le réservoir à poussières est bien enclenché.

Nettoyage, entretien et rangement

Votre outil a été conçu pour fonctionner pendant longtemps avec un minimum d'entretien. Un fonctionnement continu satisfaisant dépend d'un nettoyage régulier et d'un entretien approprié de l'outil.

- ◆ Nettoyez fréquemment le filtre afin d'éviter toute surchauffe.

- ◆ Nettoyez régulièrement les orifices de ventilation de votre outil à l'aide d'une brosse douce.
- ◆ Nettoyez régulièrement le compartiment du moteur à l'aide d'un chiffon humide. N'utilisez pas de produit abrasif ou à base de solvant.

Nettoyage du réservoir à poussières et du filtre (fig. H & I)

Le filtre est réutilisable et doit être fréquemment nettoyé. Il doit être remplacé lorsqu'il est usé ou endommagé.

- ◆ Videz le réservoir à poussières comme décrit ci-dessus.
- ◆ Enlevez les poussières détachables du filtre à l'aide d'une brosse (17).
- ◆ Lavez le filtre et le réservoir à poussières dans de l'eau tiède et savonneuse.
- ◆ Assurez-vous que le réservoir à poussières et le filtre sont complètement secs.
- ◆ Remettez le filtre en place.
- ◆ Remettez le réservoir à poussières dans l'appareil. Assurez-vous que le réservoir à poussières est bien enclenché.

FV850 – Changement du filtre HEPA (fig. I)

Le filtre HEPA réduit à son minimum la quantité de poussière qui sort du compartiment du moteur. Le filtre doit être remplacé dès qu'il est usé ou endommagé. Vous pouvez vous procurer des filtres de remplacement auprès des détaillants Black & Decker.

- ◆ Videz le réservoir à poussières comme décrit ci-dessus.
- ◆ Ouvrez le couvercle (19).
- ◆ Enlevez le filtre usagé (17).
- ◆ Insérez le filtre neuf comme indiqué.
- ◆ Remettez le couvercle.
- ◆ Remettez le réservoir à poussières dans l'appareil. Assurez-vous que le réservoir à poussières est bien enclenché.

Rangement de l'appareil (fig. J)

- ◆ Placez l'appareil debout.
 - ◆ Pliez la poignée (3).
 - ◆ Placez le crochet (18) en position levée (A).
 - ◆ Enroulez le cordon autour des crochets inférieur et supérieur.
- Pour relâcher le cordon :
- ◆ Placez le crochet (18) en position basse (B) ou levez la poignée.

Protection de l'environnement



Collecte séparée. Ce produit ne doit pas être jeté avec les déchets domestiques normaux.

Si vous décidez de remplacer ce produit Black & Decker, ou si vous n'en avez plus l'utilité, ne le jetez pas avec vos déchets domestiques. Rendez-le disponible pour une collecte séparée.



La collecte séparée des produits et emballages usés permet le recyclage des articles afin de les utiliser à nouveau. Le fait d'utiliser à nouveau des produits recyclés permet d'éviter la pollution environnementale et de réduire la demande de matières premières.

Les réglementations locales peuvent permettre la collecte séparée des produits électriques du foyer, dans des déchetteries municipales ou auprès du revendeur vous ayant vendu votre nouveau produit.

Black & Decker fournit un dispositif permettant de collecter et de recycler les produits Black & Decker lorsqu'ils ont atteint la fin de leur cycle de vie. Pour pouvoir profiter de ce service, veuillez retourner votre produit à un réparateur agréé qui se chargera de le collecter pour nous.

Pour connaître l'adresse du réparateur agréé le plus proche de chez vous, contactez le bureau Black & Decker à l'adresse indiquée dans ce manuel. Vous pourrez aussi trouver une liste des réparateurs agréés de Black & Decker et de plus amples détails sur notre service après-vente sur le site Internet à l'adresse suivante : www.2helpU.com

Caractéristiques techniques

	FV750	FV850
Tension	V _{AC} 230	230
Puissance absorbée	W 750	850
Poids	kg 3,6	3,6

Déclaration de conformité CE

FV750/FV850

Black & Decker déclare que ces outils sont conformes aux normes:

89/336/CEE, 73/23/CEE, EN 50144, EN 55014

Kevin Hewitt
 Directeur du Développement
 Spennymoor, County Durham DL16 6JG,
 Royaume-Uni
 1-11-2004

Garantie

Black & Decker est confiant dans la qualité de ses produits et vous offre une garantie très étendue. Ce certificat de garantie est un document supplémentaire et ne peut en aucun cas se substituer à vos droits légaux. La garantie est valable sur tout le territoire des Etats Membres de l'Union Européenne et de la Zone de Libre Echange Européenne.

Si un produit Black & Decker s'avère défectueux en raison de matériaux en mauvaises conditions, d'une erreur humaine, ou d'un manque de conformité dans les 24 mois suivant la date d'achat, Black & Decker garantit le remplacement des pièces défectueuses, la réparation des produits usés ou cassés ou remplace ces produits à la convenance du client, sauf dans les circonstances suivantes :

- ◆ Le produit a été utilisé dans un but commercial, professionnel, ou a été loué.
- ◆ Le produit a été mal utilisé ou avec négligence.
- ◆ Le produit a subi des dommages à cause d'objets étrangers, de substances ou à cause d'accidents.
- ◆ Des réparations ont été tentées par des techniciens ne faisant pas partie du service technique de Black & Decker.

Pour avoir recours à la garantie, il est nécessaire de fournir une preuve d'achat au vendeur ou à un réparateur agréé. Pour connaître l'adresse du réparateur agréé le plus proche de chez vous, contactez le bureau Black & Decker à l'adresse indiquée dans ce manuel. Vous pourrez aussi trouver une liste des réparateurs agréés de Black & Decker et de plus amples détails sur notre service après-vente sur le site Internet à l'adresse suivante : www.2helpU.com

Visitez notre site Web www.blackanddecker.fr pour enregistrer votre nouveau produit Black & Decker et être informé des nouveaux produits et des offres spéciales. Pour plus d'informations concernant la marque Black & Decker et notre gamme de produits, consultez notre site www.blackanddecker.fr

Uso previsto

Il Dustbuster® Black & Decker Stick Vac è stato concepito per funzionare come aspirapolvere leggero a secco.

Questo prodotto è destinato esclusivamente all'uso domestico.

Precauzioni di sicurezza

- ◆ **Attenzione!** Quando si utilizzano degli apparecchi elettrici, per ridurre il rischio di incendio, scosse elettriche, infortuni alle persone e danni alle cose è necessario seguire sempre delle precauzioni di sicurezza basilari, incluso le seguenti:
- ◆ Prima di adoperare l'elettrodomestico, leggere attentamente le istruzioni di questo manuale.
- ◆ L'utilizzo previsto è quello descritto in questo manuale. L'uso di accessori o attrezzature diversi o l'uso di questo elettrodomestico per scopi diversi da quelli indicati nel presente manuale d'uso comportano il rischio di infortuni.
- ◆ Conservare questo manuale d'istruzioni per successive consultazioni.

Uso dell'elettrodomestico

- ◆ Accertare che l'elettrodomestico sia spento prima di collegarlo o scollegarlo dall'alimentazione.
- ◆ Fare sempre attenzione quando si usa l'elettrodomestico.
- ◆ Evitare di utilizzare l'elettrodomestico in ambienti esterni.
- ◆ Non lasciare incustodito l'elettrodomestico se è collegato all'alimentazione.
- ◆ Non tirare mai il cavo di alimentazione per disinserire la spina dalla presa. Mantenere il cavo lontano da fonti di calore, da olio e bordi taglienti.
- ◆ Se il cavo di alimentazione si danneggia durante l'uso, disinserire immediatamente la spina dell'elettrodomestico dalla presa di corrente. Non toccare il cavo di alimentazione se non dopo aver disinserito la spina dalla presa di corrente.
- ◆ Scollegare l'elettrodomestico dall'alimentazione quando non è in uso, prima di installare o rimuovere dei componenti e prima di pulirlo.

Sicurezza altrui

- ◆ Vietare l'uso dell'elettrodomestico ai bambini e agli adulti che non abbiano letto il presente manuale d'istruzioni.
- ◆ Vietare a bambini o ad animali di avvicinarsi all'area in cui si usa l'elettrodomestico, di toccare l'elettrodomestico o il cavo di alimentazione. Fare estrema attenzione quando si usa l'elettrodomestico in presenza di bambini.

Dopo l'uso

- ◆ Prima di lasciare incustodito l'elettrodomestico, e prima di cambiarne, pulirne o ispezionarne qualsiasi parte, spegnerlo ed estrarre la spina dalla presa.

- ◆ Quando non è in funzione, l'elettrodomestico deve essere conservato in un luogo asciutto. I bambini non devono avere accesso agli elettrodomestici riposti.

Ispezione e riparazioni

- ◆ Prima dell'uso, verificare che non vi siano componenti danneggiati o difettosi. Verificare anche che non vi siano parti rotte, che gli interruttori non siano danneggiati e che non vi sia nulla che comprometta il funzionamento.
- ◆ Non usare l'elettrodomestico se ci sono elementi danneggiati o difettosi.
- ◆ Eventuali elementi difettosi o danneggiati devono essere sostituiti o riparati da un tecnico autorizzato.
- ◆ Prima dell'uso, controllare che il cavo di alimentazione non presenti segni di danni, invecchiamento e usura.
- ◆ Non usare l'elettrodomestico se il cavo di alimentazione o la spina sono danneggiati o difettosi.
- ◆ Se il cavo di alimentazione o la spina sono danneggiati o difettosi devono essere riparati da un tecnico autorizzato, onde evitare situazioni pericolose. Non tagliare il cavo di alimentazione e non tentare di ripararlo personalmente.
- ◆ Non tentare mai di smontare o sostituire componenti diversi da quelli indicati nel presente manuale.

Doppio isolamento



Il doppio isolamento di cui è provvisto l'elettrodomestico rende superfluo il filo di terra. Controllare sempre che l'alimentazione corrisponda alla tensione indicata sulla targhetta delle caratteristiche.

Istruzioni di sicurezza supplementari per gli aspirapolvere

- ◆ Non usare l'apparecchio per aspirare oggetti ad alta temperatura
- ◆ Non usare l'apparecchio per aspirare liquidi.
- ◆ Non usare l'elettrodomestico per aspirare materiali che potrebbero incendiarsi.
- ◆ Evitare che l'elettrodomestico venga a contatto con acqua.
- ◆ Non immergere l'unità in acqua o in altri liquidi.
- ◆ Mantenere il tiraggio del motore lontano dagli occhi e dal viso.
- ◆ Tenere capelli, vestiti e guanti lontani da pezzi in movimento.
- ◆ Porre molta attenzione utilizzando l'elettrodomestico vicino ai bambini o in alto su scale.
- ◆ Lavorare sempre dal basso verso l'alto, utilizzando l'elettrodomestico su scale.
- ◆ Dirigere sempre il cavo elettrico con cautela per evitare che rimanga impigliato.
- ◆ Quando si usa l'elettrodomestico bambini e animali devono restare a distanza di sicurezza.

- ◆ Non utilizzare l'elettrodomestico per aspirare la polvere da utensili elettrici mentre questi sono collegati all'alimentazione.
- ◆ Non usare l'elettrodomestico per aspirare oggetti affilati che potrebbero danneggiare il filtro o altri componenti.
- ◆ Non azionare l'elettrodomestico se non sono installati il contenitore di raccolta della polvere o i filtri.

CARATTERISTICHE

1. Interruttore acceso/spento
2. Tasto di sgancio
3. Maniglia
4. Contenitore di raccolta della polvere
5. Testa di aspirazione

Fig. A

6. Tubi di prolunga
7. Bocchetta a lancia
8. Spazzola

Montaggio

Attenzione! Verificare che l'elettrodomestico sia spento e che la spina sia estratta dalla presa.

Estrazione e ripiegatura dell'impugnatura (fig. B)

Estrazione

- ◆ Premere il pulsante di sgancio (9).
- ◆ Estrarre verso l'esterno l'impugnatura fino a che non si innesta a scatto in posizione.

Ripiegatura

- ◆ Premere il pulsante di sgancio (9).
- ◆ Abbassare l'impugnatura fino a che non si innesta a scatto in posizione.

Montaggio e smontaggio dell'aspirapolvere manuale (fig. C)

Montaggio

- ◆ Posizionare la parte anteriore (10) dell'elettrodomestico nella parte inferiore (11) della base.
- ◆ Spingere l'estremità posteriore dell'elettrodomestico nella base (12), fino a che non si innesta a scatto.

Smontaggio

- ◆ Sostenere l'elettrodomestico per l'impugnatura.
- ◆ Mantenere premuto il pulsante di sgancio (2).
- ◆ Estrarre l'estremità posteriore dell'elettrodomestico.
- ◆ Sollevare l'elettrodomestico estraendolo dalla base.

Montaggio della testa di aspirazione (fig. D)

- ◆ Inserire la testa (5) nella bocchetta della base (12).
- ◆ Per togliere la testa, estrarla dalla base.

Installazione degli accessori (fig. E)

Gli accessori in dotazione possono essere utilizzati in diverse combinazioni, in base al tipo di attività:

- Aspirazione generica di polvere (7 & 8)
- Aspirazione per spazi ristretti (7)

Per montare un accessorio, procedere come segue:

- ◆ Togliere l'elettrodomestico dalla base.
- ◆ Inserire l'accessorio del caso nella parte anteriore dell'elettrodomestico.
- ◆ Se necessario, inserire il numero di prolunghie richieste (6) fra l'elettrodomestico e l'accessorio, per aumentare la distanza di lavoro.

Uso

Attenzione! Prima di collegare l'elettrodomestico all'alimentazione, controllare che sia spento.

Accensione e spegnimento

- ◆ Per accendere l'elettrodomestico, far slittare in avanti l'interruttore on/off (1).
- ◆ Per spegnere l'elettrodomestico, fare slittare indietro l'interruttore on/off.

Attenzione! Prima di inserire l'alimentazione, verificare che gli accessori siano installati saldamente. In fase di accensione e durante l'uso, impugnare saldamente l'elettrodomestico.

Funzionamento dell'elettrodomestico.

Si può usare l'elettrodomestico o con l'impugnatura lunga, come aspirapolvere verticale, oppure senza l'impugnatura lunga come aspirapolvere portatile:

Uso come aspirapolvere verticale (fig. F & G)

L'aspirapolvere verticale viene utilizzato per pulire pavimenti non rivestiti, tappeti e tappetini.

- ◆ Sollevare l'impugnatura (3).
- ◆ Infilare il cavo di alimentazione dell'elettrodomestico nel fermacavo (13).
- ◆ Accendere l'elettrodomestico.
- ◆ Con l'elettrodomestico bloccato in posizione verticale dalla testa di aspirazione, mantenere la testa in posizione con il piede e tirare sull'impugnatura finché la testa non si sfila.

Il rullo a spazzola (14) è necessario per pulire tappeti e tappetini.

- ◆ Per attivare il rullo a spazzola, premere l'interruttore (15).
- ◆ Per disattivare il rullo a spazzola, premere di nuovo l'interruttore (15).

Uso come aspirapolvere portatile

L'aspirapolvere portatile è previsto per uso su tappezzeria ed in spazi ristretti.

- ◆ Estrarre l'elettrodomestico portatile dalla base.
- ◆ Se necessario, collegare l'accessorio richiesto.
- ◆ Accendere l'elettrodomestico.

Protezione termica

Il motore dell'elettrodomestico è munito di protezione termica. Questo dispositivo spegne automaticamente l'elettrodomestico se si surriscalda. In questo caso, procedere come segue:

- ◆ Spegnerne l'elettrodomestico ed estrarre la spina dalla presa a muro.
- ◆ Attendere che l'unità si raffreddi. Non appena l'elettrodomestico si è raffreddato, svuotare il contenitore di raccolta della polvere e pulire il filtro.
- ◆ Reinserire la spina nella presa e accendere l'elettrodomestico.

Svuotamento del contenitore di raccolta (fig. H & I)

Se il contenitore di raccolta è pieno o se il filtro è intasato, è necessario svuotare il contenitore. Svuotare sempre il contenitore di raccolta in un bidone per rifiuti posto all'esterno.

FV750

- ◆ Sganciare il contenitore (4) premendo il pulsante (16) in avanti. Mantenendo il pulsante premuto in avanti, rimuovere il contenitore dall'elettrodomestico.
- ◆ Estrarre il filtro (17) dal contenitore della polvere.
- ◆ Svuotare il contenitore della polvere.
- ◆ Inserire nuovamente il filtro.
- ◆ Installare il contenitore di raccolta nell'elettrodomestico. Assicurarsi che il contenitore di raccolta si inserisca a scatto nell'apposita sede.

FV850

- ◆ Sganciare il contenitore (4) premendo il pulsante (16) in avanti. Mantenendo il pulsante premuto in avanti, rimuovere il contenitore dall'elettrodomestico.
- ◆ Estrarre il portafiltro (18) dal contenitore di raccolta della polvere.
- ◆ Svuotare il contenitore della polvere.
- ◆ Aprire il coperchio (19) come illustrato (fig. I).
- ◆ Estrarre il filtro (17) dal portafiltro (19).
- ◆ Inserire nuovamente il filtro.
- ◆ Reinserire il coperchio
- ◆ Installare il contenitore di raccolta nell'elettrodomestico. Assicurarsi che il contenitore di raccolta si inserisca a scatto nell'apposita sede.

Pulizia, manutenzione e conservazione

Questo elettrodomestico è stato progettato per funzionare a lungo con un minimo di manutenzione. Per ottenere prestazioni sempre soddisfacenti occorre avere cura dell'elettrodomestico e sottoporlo a manutenzione periodica.

- ◆ Pulire frequentemente il filtro per evitare il surriscaldamento.
- ◆ Pulire regolarmente le feritoie di ventilazione dell'elettrodomestico con un pennello morbido.
- ◆ Il vano del motore deve essere pulito regolarmente con un panno umido. Non usare materiali abrasivi o detergenti a base di solventi.

Pulizia del contenitore di raccolta della polvere e del filtro (fig. H & I)

Il filtro è riutilizzabile e deve essere pulito regolarmente. Il filtro deve essere sostituito quando risulta usurato o danneggiato.

- ◆ Svuotare il contenitore della polvere come descritto precedentemente.
- ◆ Spazzolare via eventuali residui di polvere rimasti sul filtro (17).
- ◆ Lavare il filtro e il contenitore della polvere in acqua calda e sapone.
- ◆ Assicurarsi che il contenitore di raccolta della polvere e il filtro siano completamente asciutti.
- ◆ Inserire nuovamente il filtro.
- ◆ Installare il contenitore di raccolta nell'elettrodomestico. Make sure the dust bowl clicks into place.

FV850 - Sostituzione del filtro HEPA (fig. I)

Il filtro HEPA riduce al minimo la quantità di polvere che fuoriesce dal vano motore. Il filtro deve essere sostituito quando è usurato o danneggiato. I filtri di ricambio sono disponibili presso il concessionario Black & Decker.

- ◆ Svuotare il contenitore della polvere come descritto precedentemente.
- ◆ Aprire il coperchio (19).
- ◆ Rimuovere il filtro usate (17).
- ◆ Installare il nuovo filtro come illustrato.
- ◆ Reinserire il coperchio.
- ◆ Installare il contenitore di raccolta nell'elettrodomestico. Assicurarsi che il contenitore di raccolta si inserisca a scatto nell'apposita sede.

Conservazione dell'elettrodomestico (fig. J)

- ◆ Mettere l'elettrodomestico in posizione verticale.
 - ◆ Ripiegare l'impugnatura (3).
 - ◆ Collocare il gancio (18) in alto (A).
 - ◆ Avvolgere il cavo attorno ai ganci superiore ed inferiore.
- Per liberare il cavo:
- ◆ Posizionare il gancio (18) in basso (B) per liberare il cavo.

Protezione dell'ambiente



Raccolta differenziata. Questo prodotto non deve essere smaltito con i normali rifiuti domestici.

Nel caso in cui si decida di sostituire l'apparecchio oppure di disfarsene in quanto non più necessario, non dovrà essere smaltito con i normali rifiuti domestici. Smaltire il prodotto tramite raccolta differenziata.



La raccolta differenziata di prodotti e imballaggi usati, consente il riciclaggio e il riutilizzo dei materiali. Riutilizzare i materiali riciclati aiuta a prevenire l'inquinamento ambientale e riduce la richiesta di materie prime.

In base alle normative locali, i servizi per la raccolta differenziata di elettrodomestici possono essere disponibili presso i punti di raccolta municipali o presso il rivenditore, al momento dell'acquisto di un nuovo prodotto.

Black & Decker offre ai suoi clienti un servizio per la raccolta differenziata e la possibilità di riciclare i prodotti Black & Decker che hanno esaurito la loro durata in servizio. Per usufruire del servizio, è sufficiente restituire il prodotto a qualsiasi tecnico autorizzato, incaricato della raccolta per conto dell'azienda.

Per individuare il tecnico autorizzato più vicino, rivolgersi alla sede Black & Decker locale, presso il recapito indicato nel presente manuale. Altrimenti un elenco completo di tutti i tecnici autorizzati Black & Decker e i dettagli completi sui contatti e i servizi post-vendita sono disponibili sul sito Internet:

www.2helpU.com

Dati tecnici

	FV750	FV850
Tensione	V _{AC} 230	230
Potenza assorbita	W 750	850
Peso	kg 3,6	3,6

Dichiarazione CE di conformità

FV750/FV850

Black & Decker dichiara che questi utensili sono stati costruiti in conformità a:

89/336/CEE, 73/23/CEE, EN 50144, EN 55014

Kevin Hewitt
Direttore di Ricerca e Sviluppo
Spennymoor, County Durham DL16 6JG,
United Kingdom
1-11-2004

Garanzia

Certa della qualità dei suoi prodotti, Black & Decker offre una garanzia eccezionale. Il presente certificato di garanzia è complementare ai diritti statutari e non li pregiudica in alcun modo. La garanzia è valida entro il territorio degli Stati membri dell'Unione Europea e dell'EFTA (European Free Trade Area).

Se un prodotto Black & Decker risulta difettoso per qualità del materiale, della costruzione o per mancata conformità entro 24 mesi dalla data di acquisto, Black & Decker garantisce la sostituzione delle parti difettose, provvede alla riparazione dei prodotti se ragionevolmente usurati oppure alla loro sostituzione, in modo da ridurre al minimo il disagio del cliente a meno che:

- ◆ Il prodotto non sia stato destinato ad usi commerciali, professionali o al noleggio;
- ◆ Il prodotto non sia stato usato in modo improprio o scorretto;
- ◆ Il prodotto non abbia subito danni causati da oggetti o sostanze estranee oppure incidenti;
- ◆ Il prodotto non abbia subito tentativi di riparazione non effettuati da tecnici autorizzati né dall'assistenza Black & Decker.

Per attivare la garanzia è necessario esibire la prova comprovante l'acquisto al venditore o al tecnico autorizzato. Per individuare il tecnico autorizzato più vicino, rivolgersi alla sede Black & Decker locale, presso il recapito indicato nel presente manuale. Altrimenti un elenco completo di tutti i tecnici autorizzati Black & Decker e i dettagli completi sui contatti e i servizi post-vendita sono disponibili su Internet presso: **www.2helpU.com**

I clienti che desiderano registrare il nuovo prodotto Black & Decker e ricevere gli aggiornamenti sui nuovi prodotti e le offerte speciali, sono invitati a visitare il sito Web (**www.blackanddecker.it**). Ulteriori informazioni sul marchio e la gamma di prodotti Black & Decker sono disponibili all'indirizzo **www.blackanddecker.it**

Gebruik volgens bestemming

Uw Black & Decker Dustbuster® Stick Vac is bedoeld voor lichte, droge stofzuigtoepassingen. Dit product is uitsluitend bedoeld voor huishoudelijk gebruik.

Veiligheidsvoorschriften

- ◆ **Waarschuwing!** Bij het gebruik van elektrische apparaten dienen ter bescherming tegen brandgevaar, elektrische schok, letsel en materiële schade altijd gepaste veiligheidsmaatregelen in acht te worden genomen, waaronder de volgende veiligheidsvoorschriften.
- ◆ Lees de gehele gebruiksaanwijzing aandachtig door voordat u het apparaat gaat gebruiken.
- ◆ Het bedoelde gebruik wordt in deze handleiding beschreven. Gebruik ter voorkoming van lichamelijk letsel uitsluitend de in deze gebruiksaanwijzing aanbevolen accessoires en hulpstukken. Gebruik het apparaat uitsluitend waarvoor het bedoeld is.
- ◆ Bewaar deze instructies zorgvuldig!

Gebruik van het apparaat

- ◆ Zorg ervoor dat het apparaat uitgeschakeld is voordat u de stroom in- of uitschakelt.
- ◆ Kijk altijd goed uit wanneer u het apparaat gebruikt.
- ◆ Gebruik het apparaat niet buiten.
- ◆ Laat het apparaat niet zonder toezicht achter terwijl het is aangesloten op het stopcontact.
- ◆ Trek de stekker niet aan het elektriciteits snoer uit het stopcontact. Houd het elektriciteits snoer uit de buurt van warmtebronnen, olie en scherpe randen.
- ◆ Als het elektriciteits snoer tijdens gebruik beschadigd raakt, schakel dan onmiddellijk de stroomtoevoer naar het apparaat uit. Raak het elektriciteits snoer niet aan voordat u de stekker uit het stopcontact heeft gehaald.
- ◆ Haal altijd de stekker van het apparaat uit het stopcontact wanneer u het niet gebruikt of voordat u onderdelen gaat verwisselen of het apparaat gaat reinigen.

Veiligheid van anderen

- ◆ Verbied kinderen en personen die niet van de inhoud van deze handleiding op de hoogte zijn het gebruik van dit apparaat.
- ◆ Houd kinderen en dieren buiten het werkgebied en laat ze dit apparaat of het elektriciteits snoer niet aanraken. Als u met het apparaat in de buurt van kinderen komt, dient er goed op hen gelet te worden.

Na gebruik

- ◆ Schakel het apparaat uit en haal de stekker uit het stopcontact voordat u het apparaat zonder toezicht achterlaat of enig onderdeel van het apparaat gaat verwisselen, reinigen of controleren.

- ◆ Indien niet in gebruik moet de machine op een droge plaats worden opgeborgen. Kinderen mogen geen toegang hebben tot opgeborgen machines.

Inspectie en reparatie

- ◆ Controleer de machine voor gebruik op beschadigde of defecte onderdelen. Controleer op kapotte onderdelen, beschadigingen aan schakelaars en enige andere zaken die de werking nadelig kunnen beïnvloeden.
- ◆ Gebruik de machine niet als enig onderdeel beschadigd of defect is.
- ◆ Defecte onderdelen dienen door een erkend servicecentrum te worden gerepareerd of vervangen.
- ◆ Controleer voor gebruik het elektriciteits snoer op beschadiging, veroudering en slijtage.
- ◆ Gebruik het apparaat niet als het elektriciteits snoer of de stekker beschadigd of defect is.
- ◆ Als het elektriciteits snoer of de stekker beschadigd of defect is, moet het, om gevaarlijke situaties te voorkomen, door een erkende servicetechnicus vervangen worden. Snijd nooit in het elektriciteits snoer en probeer dit niet zelf te repareren.
- ◆ Probeer nooit om enig onderdeel anders dan in deze handleiding beschreven te verwijderen of te vervangen.

Dubbele isolatie



Dit apparaat is dubbel geïsoleerd; een aardaansluiting is daarom niet noodzakelijk. Controleer altijd of uw netspanning overeenkomt met de waarde op het typeplaatje.

Aanvullende veiligheidsinstructies voor stofzuigers

- ◆ Gebruik het apparaat niet om hete voorwerpen op te zuigen.
- ◆ Gebruik het apparaat niet om vloeistoffen op te zuigen.
- ◆ Gebruik het apparaat niet om brandbare materialen op te zuigen.
- ◆ Gebruik het apparaat niet in de buurt van water.
- ◆ Dompel het apparaat niet in water of enige andere vloeistof.
- ◆ Zorg dat de luchtstroom van de motor niet in uw ogen en gezicht blaast.
- ◆ Houd haren, kleding en handschoenen uit de buurt van bewegende delen.
- ◆ Wees voorzichtig bij gebruik van het apparaat boven aan een trap of in de buurt van kinderen.
- ◆ Werk altijd van onder naar boven wanneer u het apparaat op een trap gebruikt.
- ◆ Geleid het snoer altijd voorzichtig om gevaar voor struikelen te voorkomen.
- ◆ Houd kinderen en dieren op een veilige afstand als u het apparaat gebruikt.
- ◆ Gebruik het apparaat niet voor het stofzuigen van elektrische apparaten terwijl deze zijn aangesloten op het stopcontact.

- ◆ Gebruik het apparaat niet om scherpe voorwerpen op te zuigen die het filter of andere onderdelen zouden kunnen beschadigen.
- ◆ Gebruik het apparaat niet zonder de neus of de filters.

Onderdelen

1. Aan/uit-schakelaar
2. Ontgrendelknop
3. Handgreep
4. Neus
5. Zuigmond

Fig. A

6. Verlengbuizen
7. Spleetzuigmond
8. Borstelzuigmond

Assemblage

Waarschuwing! Zorg dat het apparaat is uitgeschakeld en dat de stekker uit het stopcontact is gehaald.

Omhoogbrengen en inklappen van de handgreep (fig. B)

Omhoogbrengen

- ◆ Druk op de ontgrendelknop (9).
- ◆ Breng de handgreep omhoog totdat hij op zijn plaats klikt.

Inklappen

- ◆ Druk op de ontgrendelknop (9).
- ◆ Breng de handgreep omlaag totdat hij op zijn plaats klikt.

Aanbrengen en verwijderen van de handstofzuiger (fig. C)

Montage

- ◆ Plaats de voorkant (10) van het apparaat in het onderste gedeelte (11) van het basisstation.
- ◆ Druk de achterkant van het apparaat in het basisstation (12) totdat u een klik hoort.

Verwijderen

- ◆ Houd het apparaat vast aan de handgreep.
- ◆ Houd de ontgrendelingsknop (2) ingedrukt.
- ◆ Trek het achterste gedeelte van het apparaat uit.
- ◆ Til het apparaat van het basisstation af.

Aanbrengen van de zuigmond (fig. D)

- ◆ Schuif de zuigmond (5) in het mondstuk van het basisstation (12).
- ◆ Om de zuigmond te verwijderen, verwijdert u hem van het basisstation.

Bevestigen van de accessoires (fig. E)

De meegeleverde accessoires kunnen in verschillende combinaties worden gebruikt, afhankelijk van de toepassing:

- Normaal stofzuigen / stof afnemen (7 & 8)
- Stofzuigen in nauwe ruimtes (7)

Ga als volgt te werk bij het plaatsen van een accessoire:

- ◆ Verwijder het apparaat van het basisstation.
- ◆ Plaats het geschikte accessoire op de voorkant van het apparaat.
- ◆ Plaats indien nodig het vereiste aantal buizen (6) tussen het apparaat en het accessoire om de werkhooft te vergroten.

Gebruik

Waarschuwing! Zorg vóór het aansluiten op het lichtnet dat het apparaat is uitgeschakeld.

In- en uitschakelen

- ◆ Om het apparaat in te schakelen schuift u de aan/uit-schakelaar (1) naar voren.
- ◆ Om het apparaat uit te schakelen schuift u de aan/uit-schakelaar naar achteren.

Waarschuwing! Zorg dat de accessoires goed zijn bevestigd voordat u het apparaat aanzet. Houd het apparaat goed vast tijdens het inschakelen en tijdens het gebruik.

Bedienen van het apparaat

Het apparaat kan worden gebruikt met de lange handgreep als een gewone stofzuiger, of zonder de lange handgreep als een Dustbuster.

Gebruiken als een gewone stofzuiger (fig. F & G)

De gewone stofzuiger wordt gebruikt voor het stofzuigen van harde vloeroppervlakken, vloerkleden en matten.

- ◆ Breng de handgreep (3) omhoog.
- ◆ Breng het uiteinde van de kabel dat naar het apparaat leidt in de netsnoerklem (13) aan.
- ◆ Schakel het apparaat in.
- ◆ Indien het apparaat in rechtopstaande positie door de zuigmond wordt geblokkeerd, houdt u de zuigmond met uw voet op zijn plaats en trekt aan de handgreep totdat de zuigmond losschiet.

De borstelroller (14) wordt gebruikt voor het reinigen van matten en vloerkleden.

- ◆ Om de borstelroller in te schakelen, drukt u op de knop (15).
- ◆ Om de borstelroller uit te schakelen, drukt u nogmaals op de knop (15).

Gebruiken als een Dustbuster

De Dustbuster is bedoeld voor gebruik op bekleding en in nauwe ruimtes.

- ◆ Verwijder de Dustbuster van het basisstation.
- ◆ Breng indien nodig het gewenste accessoire aan.
- ◆ Schakel het apparaat in.

Thermische beveiliging

De motor van het apparaat is voorzien van een thermische beveiliging. Deze voorziening schakelt het apparaat automatisch uit in geval van oververhitting. Indien dit gebeurt, gaat u als volgt te werk:

- ◆ Schakel de machine uit en verwijder de stekker uit het stopcontact.
- ◆ Laat het apparaat afkoelen. Wanneer het apparaat is afgekoeld, ledigt u de neus en reinigt het filter.
- ◆ Steek de stekker weer in het stopcontact en schakel het apparaat in.

Ledigen van de neus (fig. H & I)

Wanneer de neus vol of het filter verstopt is, dient de neus te worden geleegd. Ledig de neus altijd buiten in een vuilnisbak.

FV750

- ◆ Ontgrendel de neus (4) door de knop (16) naar voren te drukken. Verwijder de neus van het apparaat terwijl u de knop naar voren houdt.
- ◆ Neem de filter (17) uit de neus.
- ◆ Maak de neus leeg.
- ◆ Plaats de filters terug.
- ◆ Plaats de neus op het apparaat. Zorg ervoor dat de neus op de plaats klikt.

FV850

- ◆ Ontgrendel de neus (4) door de knop (16) naar voren te drukken. Verwijder de neus van het apparaat terwijl u de knop naar voren houdt.
- ◆ Neem de filterhouder (18) uit de neus.
- ◆ Maak de neus leeg.
- ◆ Open het deksel (19) zoals afgebeeld (fig. I).
- ◆ Trek het filter (17) uit de filterhouder (19).
- ◆ Plaats de filters terug.
- ◆ Plaats de deksel terug.
- ◆ Plaats de neus op het apparaat. Zorg ervoor dat de neus op de plaats klikt.

Reiniging, onderhoud en opslag

Uw machine is ontworpen om gedurende langere periode te functioneren met een minimum aan onderhoud. Voortdurend tevreden gebruik is afhankelijk van correct onderhoud en regelmatig schoonmaken.

- ◆ Reinig regelmatig het filter om oververhitting te voorkomen.
- ◆ Reinig regelmatig de ventilatieopeningen van uw machine met een zachte borstel.
- ◆ Reinig regelmatig de behuizing van de motor met een vochtige doek. Gebruik geen schuur- of oplosmiddel.

Reinigen van de neus en het filter (fig. H & I)

Het filter is geschikt voor hergebruik en moet regelmatig worden gereinigd. Het filter moet worden vervangen wanneer het versleten of beschadigd is.

- ◆ Ledig de neus zoals hierboven beschreven.
- ◆ Borstel het losse stof van het filter (17).
- ◆ Spoel het filter en de neus uit in warm sop.
- ◆ Zorg ervoor dat de neus en het filter goed droog zijn.
- ◆ Plaats de filters terug.
- ◆ Plaats de neus op het apparaat. Zorg ervoor dat de neus op de plaats klikt.

FV850 - Vervangen van het HEPA-filter (fig. I)

Het HEPA-filter minimaliseert de hoeveelheid stof die het motorhuis verlaat. Het filter moet worden vervangen wanneer het versleten of beschadigd is. Vervangende filters zijn verkrijgbaar bij uw Black & Deckerdealer.

- ◆ Ledig de neus zoals hierboven beschreven.
- ◆ Open het deksel (19).
- ◆ Verwijder de oude filter (17).
- ◆ Plaats de nieuwe filter zoals afgebeeld.
- ◆ Breng het deksel weer aan.
- ◆ Plaats de neus op het apparaat. Zorg dat de neus op de plaats klikt.

Opbergen van het apparaat (fig. J)

- ◆ Plaats het apparaat in rechtopstaande positie.
- ◆ Klap de handgreep in (3).
- ◆ Zet de haak (18) omhoog (stand A).
- ◆ Wind het snoer om de haken boven en beneden..

Het snoer losmaken:

- ◆ Zet de haak (18) omlaag (B) of breng de handgreep omhoog.

Milieu



Gescheiden inzameling. Dit product mag niet met het gewone huishoudelijke afval worden weggegooid.

Wanneer uw oude Black & Deckerproduct aan vervanging toe is of het u niet langer van dienst kan zijn, gooi het dan niet bij het huishoudelijk afval. Zorg ervoor dat het product gescheiden kan worden ingezameld.



Door gebruikte producten en verpakkingen gescheiden in te zamelen, worden de materialen gerecycled en opnieuw gebruikt.

Hergebruik van gerecyclede materialen voorkomt milieuvuiling en vermindert de vraag naar grondstoffen.

Inzamelpunten voor gescheiden inzameling van elektrische huishoudproducten bij gemeentelijke vuilnisbergen of bij de verkoper waar u een nieuw product koopt, kunnen aan plaatselijke voorschriften gebonden zijn.

Black & Decker biedt de mogelijkheid tot inzamelen en recyclen van afgedankte Black & Decker producten. Om gebruik van deze service te maken, dient u het product aan een van onze servicecentra te sturen, die voor ons de inzameling verzorgen.

U kunt het adres van het dichtstbijzijnde servicecentrum opvragen via de adressen op de achterzijde van deze handleiding. U kunt ook een lijst van onze servicecentra en meer informatie m.b.t. onze klantenservice vinden op het volgende Internet-adres: **www.2helpU.com**

Technische gegevens

		FV750	FV850
Spanning	V _{AC}	230	230
Opgenomen vermogen	W	750	850
Gewicht	kg	3,6	3,6

EG-verklaring van overeenstemming

FV750/FV850

Black & Decker verklaart dat deze machines in overeenstemming zijn met:

89/336/EEG, 73/23/EEG, EN 50144, EN 55014



Kevin Hewitt
 Director of Consumer Engineering
 Spennymoor, County Durham DL16 6JG,
 United Kingdom
 1-11-2004

- ◆ Het product is gebruikt voor handelsdoeleinden, professionele toepassingen of verhuurdoeleinden;
- ◆ Het product onoordeelkundig is gebruikt;
- ◆ Het product is beschadigd door invloeden van buitenaf of door een ongeval;
- ◆ Reparaties zijn uitgevoerd door anderen dan onze servicecentra of Black & Decker personeel.

Om een beroep op de garantie te doen, dient u een aankoopbewijs te overhandigen aan de verkoper of een van onze servicecentra. U kunt het adres van het dichtstbijzijnde servicecentrum opvragen via de adressen op de achterzijde van deze handleiding. U kunt ook een lijst van onze servicecentra en meer informatie m.b.t. onze klantenservice vinden op het volgende Internet-adres: **www.2helpU.com**

Meld u aan op onze website **www.blackanddecker.nl** om te worden geïnformeerd over nieuwe producten en speciale aanbiedingen. Verdere informatie over het merk Black & Decker en onze producten vindt u op **www.blackanddecker.nl**

Garantie

Black & Decker heeft vertrouwen in zijn producten en biedt een uitstekende garantie. Deze garantiebepalingen vormen een aanvulling op uw wettelijke rechten en beperken deze niet. De garantie geldt in de lidstaten van de Europese Unie en de Europese Vrijhandelsassociatie.

Mocht uw Black & Decker product binnen 24 maanden na datum van aankoop defect raken tengevolge van materiaal- of constructiefouten, dan garanderen wij de kosteloze vervanging van defecte onderdelen, de reparatie van het product of de vervanging van het product, tenzij:

Uso previsto

El aspirador Dustbuster® Stick Vac de Black & Decker ha sido diseñado para trabajos ligeros de limpieza en seco por aspiración. Este producto está pensado únicamente para consumo doméstico.

Instrucciones de seguridad

- ◆ **¡Atención!** Cuando use aparatos eléctricos, debe seguir siempre las precauciones de seguridad básicas, incluidas las siguientes, a fin de reducir el riesgo de incendios, electrocución, lesiones personales y daños materiales.
- ◆ Lea completamente este manual antes de utilizar el aparato.
- ◆ En este manual se explica el uso previsto para este aparato. El uso de otros accesorios o adaptadores, o la propia utilización de este aparato en cualquier forma diferente de las recomendadas en este manual de instrucciones, puede constituir un riesgo de lesiones a las personas.
- ◆ Conserve este manual a mano para consultas posteriores.

Utilización del aparato

- ◆ Asegúrese de que el aparato esté apagado antes de conectarlo o desconectarlo de la red.
- ◆ Tenga siempre cuidado cuando utilice este aparato.
- ◆ No utilice este aparato en el exterior.
- ◆ No deje el aparato desatendido mientras esté conectado a la red.
- ◆ Nunca tire del cable para desconectarlo del enchufe. Mantenga el cable alejado del calor, el aceite y los bordes afilados.
- ◆ Si el cable de red se dañara durante el uso, desconecte inmediatamente el aparato de la red. No toque el cable antes de desconectar el aparato de la red.
- ◆ Desenchufe el aparato de la corriente si no lo está utilizando, antes de montar o desmontar piezas y antes de limpiarlo.

Seguridad de otras personas

- ◆ No deje que el aparato sea utilizado por niños o por personas que no estén familiarizadas con su uso.
- ◆ No permita que niños, otras personas o animales se acerquen al área de trabajo ni toquen el aparato o el cable de red. Es necesario estar muy atento cuando se utiliza el aparato cerca de niños.

Cuando acabe de utilizar el aparato

- ◆ Apague el aparato y desenchúfelo de la red si va a dejarlo desatendido y antes de cambiar, limpiar o inspeccionar alguna pieza del aparato.
- ◆ Cuando no se use, el aparato debe guardarse en un lugar seco. Los niños no deben tener acceso a los aparatos guardados.

Inspección y reparaciones

- ◆ Antes de utilizarlo, revise el aparato para ver si está dañado o tiene piezas defectuosas. Compruebe si hay alguna pieza rota, algún interruptor dañado o cualquier cosa que pudiera afectar a su funcionamiento.
- ◆ No utilice el aparato si hay alguna pieza dañada o defectuosa.
- ◆ Encargue al servicio técnico autorizado que repare o sustituya las piezas defectuosas o averiadas.
- ◆ Antes de utilizar el aparato, revise el cable de red para ver si presenta indicios de daños, envejecimiento o desgaste.
- ◆ No utilice el aparato si el cable de red o el enchufe estuvieran dañados o defectuosos.
- ◆ Si el cable eléctrico o el enchufe estuvieran estropeados o defectuosos, hay que sustituirlos en un servicio técnico autorizado con el fin de evitar cualquier peligro. No corte el cable de red y no trate de repararlo usted mismo.
- ◆ No intente nunca extraer o sustituir ninguna de las piezas que no sean las especificadas en este manual.

Doble aislamiento



Este aparato lleva un doble aislamiento; por lo tanto no requiere una toma a tierra. Compruebe siempre que la tensión de la red corresponda con el valor indicado en la placa de datos de la herramienta.

Instrucciones de seguridad adicionales para aspiradores

- ◆ No use este aparato para recoger objetos calientes.
- ◆ No use este aparato para recoger líquidos.
- ◆ No use este aparato para recoger materiales inflamables.
- ◆ No utilice este aparato cerca del agua.
- ◆ No sumerja el aparato en agua ni en ningún otro líquido.
- ◆ Mantenga alejada de ojos y cara la zona de aspiración del motor.
- ◆ Mantenga su pelo, vestimenta y guantes alejados de las piezas móviles.
- ◆ Tenga especial cuidado al utilizar el aparato en lo alto de escaleras o cerca de niños.
- ◆ Trabaje siempre de abajo hacia arriba al utilizar el aparato en escaleras.
- ◆ Guíe el cable con cuidado para evitar tropezar.
- ◆ Cuando utilice este aparato, mantenga a los niños y animales a una distancia de seguridad.
- ◆ No utilice el aparato para aspirar electrodomésticos mientras estén enchufados.
- ◆ No utilice el aparato para recoger objetos afilados que puedan dañar el filtro u otras piezas.
- ◆ No utilice el aparato sin el depósito de polvo o los filtros en su sitio.

Características

1. Conmutador ON/OFF (encendido/apagado)
2. Botón de desacoplamiento
3. Mango
4. Depósito de polvo
5. Cabezal de aspiración

Fig. A

6. Tubos de extensión
7. Útil con hendidura
8. Cepillo

Montaje

¡Atención! Asegúrese de que el aparato esté apagado y desenchufado de la red.

Extensión y plegado del mango (fig. B)

Extensión

- ◆ Pulse el botón de desacoplamiento (9).
- ◆ Levante el mango hasta que encaje en su lugar.

Plegado

- ◆ Pulse el botón de desacoplamiento (9).
- ◆ Baje el mango hasta que encaje en su lugar.

Colocación y retirada del aspirador de mano (fig. C)

Colocación

- ◆ Coloque la parte delantera (10) del aparato en la parte inferior (11) de la base.
- ◆ Empuje el extremo trasero del aparato hacia la base (12) hasta que suene un clic.

Rerirada

- ◆ Sostenga el aparato por el mango.
- ◆ Mantenga presionado el botón de desacoplamiento (2).
- ◆ Extraiga el extremo trasero del aparato.
- ◆ Levante el aparato de la base.

Colocación del cabezal de aspiración (fig. D)

- ◆ Deslice el cabezal (5) en la boquilla de la base (12).
- ◆ Para retirar el cabezal, quítelo de la base.

Colocación de los accesorios (fig. E)

Los accesorios suministrados se pueden utilizar en diversas combinaciones, dependiendo de la tarea:

- Aspiración / recogida de polvo general (7 & 8)
- Aspiración en espacios cerrados (7)

Para colocar un accesorio, proceda de la forma siguiente:

- ◆ Retire el aparato de la base.

- ◆ Introduzca el accesorio adecuado en la parte delantera del aparato.
- ◆ Si fuera necesario, conecte el número necesario de tubos (6) entre el aparato y el accesorio para ampliar la altura de trabajo.

Uso

¡Atención! Antes de conectarlo a la red, asegúrese de que el aparato esté apagado.

Encendido y apagado

- ◆ Para encender el aparato, deslice el interruptor de encendido/apagado (1) hacia delante.
- ◆ Para apagar el aparato, deslice el interruptor de encendido/apagado hacia atrás.

¡Atención! Asegúrese de que los accesorios estén firmemente sujetos antes de ponerlo en marcha. Mantenga el aparato firmemente sujeto, mientras enciende y utiliza el aparato.

Utilización del aparato

El aparato puede utilizarse bien con el mango largo, en forma de aspirador vertical, o sin el mango largo, como si fuera un aspirador de mano.

Utilización como aspirador vertical (fig. F & G)

El aspirador vertical se utiliza para aspirar suelos duros, moquetas y alfombras.

- ◆ Levante el mango (3).
- ◆ Fije el extremo del cable que va al aparato en su alojamiento (13).
- ◆ Encienda el aparato.
- ◆ Si el aparato está bloqueado en la posición vertical por el cabezal de aspiración, mantenga el cabezal en posición con su pie y tire del mango hasta que el cabezal se desplace.

El rodillo de cepillo (14) se necesita para limpiar moquetas y alfombras.

- ◆ Para conectar el rodillo de cepillo, pulse el botón (15).
- ◆ Para desconectar el rodillo de cepillo, pulse el botón (15) de nuevo.

Utilización como un aspirador de mano

El aspirador de mano es para su uso en tapicerías y espacios reducidos.

- ◆ Retire el aspirador de mano de la base.
- ◆ Si fuera necesario, conecte el accesorio que necesite.
- ◆ Encienda el aparato.

Protección térmica

El motor del aparato lleva incorporada una protección térmica. Este dispositivo desconecta automáticamente el aparato en caso de sobrecalentamiento.

Si esto ocurre, proceda del modo siguiente:

- ◆ Apague el aparato y desenchúfelo de la toma de pared.
- ◆ Deje que la unidad se enfríe. Cuando se haya enfriado la unidad, vacíe el depósito de polvo y limpie el filtro.
- ◆ Vuelva a introducir el enchufe en la toma de pared y encienda el aparato.

Vaciado del depósito de polvo (fig. H & I)

El depósito de polvo debe vaciarse cuando esté lleno o el filtro esté obstruido. Vacíe siempre el depósito de polvo en un cubo de basura en el exterior.

FV750

- ◆ Desbloquee el depósito (4) empujando el botón (16) hacia delante. Mientras mantiene el botón en esta posición, retire el depósito del aparato.
- ◆ Saque el filtro (17) del depósito de polvo.
- ◆ Vacíe el depósito de polvo.
- ◆ Instale de nuevo el filtro.
- ◆ Vuelva a colocar el depósito de polvo en el aparato. Compruebe que el depósito de polvo encaje en su posición.

FV850

- ◆ Desbloquee el depósito (4) empujando el botón (16) hacia delante. Mientras mantiene el botón en esta posición, retire el depósito del aparato.
- ◆ Saque el filtro (18) del depósito de polvo.
- ◆ Vacíe el depósito de polvo.
- ◆ Abra la tapa (19) como se muestra (fig. I).
- ◆ Extraiga el filtro (17) del portafiltros (19).
- ◆ Instale de nuevo el filtro.
- ◆ Vuelva a colocar la tapa.
- ◆ Vuelva a colocar el depósito de polvo en el aparato. Compruebe que el depósito de polvo encaje en su posición.

Limpieza, mantenimiento y almacenamiento

La herramienta ha sido diseñada para que funcione durante un largo período de tiempo con un mantenimiento mínimo.

El funcionamiento satisfactorio continuado depende de un cuidado apropiado y una limpieza periódica de la herramienta.

- ◆ Limpie el filtro con frecuencia para evitar sobrecalentamientos.
- ◆ Limpie periódicamente las ranuras de ventilación de la herramienta con un cepillo suave.
- ◆ Limpie periódicamente la carcasa del motor con un paño húmedo. No utilice ninguna sustancia limpiadora abrasiva o que contenga disolventes.

Limpieza del depósito de polvo y del filtro (fig. H & I)

El filtro es reutilizable y debe limpiarse con frecuencia.

Debe sustituirse cuando esté desgastado o dañado.

- ◆ Vacíe el depósito de polvo como se ha descrito anteriormente.
- ◆ Cepille el filtro para eliminar partículas de polvo sueltas (17).
- ◆ Lave el filtro y el depósito de polvo con agua templada, jabonosa.
- ◆ Compruebe que el depósito de polvo y el filtro estén completamente secos.
- ◆ Instale de nuevo el filtro.
- ◆ Vuelva a colocar el depósito de polvo en el aparato. Compruebe que el depósito de polvo encaje en su posición.

FV850 – Cambio del filtro HEPA (fig. I)

El filtro HEPA reduce al mínimo la cantidad de polvo que sale de la carcasa del motor. El filtro debe cambiarse siempre que esté gastado o dañado. Los filtros de recambio los podrá encontrar en su concesionario Black & Decker.

- ◆ Vacíe el depósito de polvo como se ha descrito anteriormente.
- ◆ Abra la tapa (19).
- ◆ Retire el filtro usado (17).
- ◆ Inserte el filtro nuevo como se muestra.
- ◆ Vuelva a colocar la tapa.
- ◆ Vuelva a colocar el depósito de polvo en el aparato. Compruebe que el depósito de polvo encaje en su posición.

Almacenamiento del aparato (fig. J)

- ◆ Coloque el aparato en posición vertical.
- ◆ Pliegue el mango (3).
- ◆ Ponga el gancho (18) en posición hacia arriba (A).
- ◆ Enrolle el cable alrededor de los ganchos superior e inferior.

Para soltar el cable:

- ◆ Ponga el gancho (18) en posición hacia abajo (B) o levante el mango.

Protección del medio ambiente



Separación de desechos. Este producto no debe desecharse con la basura doméstica normal.

Si llega el momento de reemplazar su producto Black & Decker o éste ha dejado de tener utilidad para usted, no lo deseche con la basura doméstica normal. Asegúrese de que este producto se deseche por separado.



La separación de desechos de productos usados y embalajes permite que los materiales puedan reciclarse y reutilizarse. La reutilización de materiales reciclados ayuda a evitar la contaminación medioambiental y reduce la demanda de materias primas.

La normativa local puede prever la separación de desechos de productos eléctricos de uso doméstico en centros municipales de recogida de desechos o a través del distribuidor cuando adquiere un nuevo producto.

Black & Decker proporciona facilidades para la recogida y el reciclado de los productos Black & Decker que hayan llegado al final de su vida útil. Para hacer uso de este servicio, devuelva su producto a cualquier servicio técnico autorizado, que lo recogerá en nuestro nombre.

Pueden consultar la dirección de su servicio técnico más cercano poniéndose en contacto con la oficina local de Black & Decker en la dirección que se indica en este manual. Como alternativa, puede consultar en Internet la lista de servicios técnicos autorizados e información completa de nuestros servicios de posventa y contactos en la siguiente dirección: **www.2helpU.com**

Características técnicas

		FV750	FV850
Voltaje	V _{AC}	230	230
Potencia absorbida	W	750	850
Peso	kg	3,6	3,6

Declaración CE de conformidad

FV750/FV850

Black & Decker certifica que estas herramientas han sido construidas de acuerdo a las normas siguientes:
89/336/CEE, 73/23/CEE, EN 50144, EN 55014



Kevin Hewitt
Director de Ingeniería
Spennymoor, County Durham DL16 6JG,
United Kingdom
1-11-2004

- ◆ El producto haya sido utilizado con propósitos comerciales, profesionales o de alquiler;
- ◆ El producto haya sido sometido a un uso inadecuado o negligente;
- ◆ El producto haya sufrido daños causados por objetos o sustancias extrañas o accidentes;
- ◆ Se hayan realizado reparaciones por parte de personas que no sean los servicios de reparación autorizados o personal de servicios de Black & Decker;

Para reclamar en garantía, será necesario que presente la prueba de compra al vendedor o al servicio técnico de reparaciones autorizado. Pueden consultar la dirección de su servicio técnico más cercano poniéndose en contacto con la oficina local de Black & Decker en la dirección que se indica en este manual. Como alternativa, se puede consultar en Internet, en la dirección siguiente, la lista de servicios técnicos autorizados e información completa de nuestros servicios de postventa y contactos: **www.2helpU.com**

Visite nuestro sitio web **www.blackanddecker.com** para registrar su nuevo producto Black & Decker y mantenerse al día sobre nuestros productos y ofertas especiales. Encontrará información adicional sobre la marca Black & Decker y nuestra gama de productos en **www.blackanddecker.com**

Garantía

Black & Decker confía plenamente en la calidad de sus productos y ofrece una garantía extraordinaria. Esta declaración de garantía es una añadido, y en ningún caso un perjuicio para sus derechos estatutarios. La garantía es válida dentro de los territorios de los Estados Miembros de la Unión Europea y de los de la Zona Europea de Libre Comercio.

Si un producto Black & Decker resultará defectuoso debido a materiales o mano de obra defectuosos o a la falta de conformidad, Black & Decker garantiza, dentro de los 24 meses de la fecha de compra, la sustitución de las piezas defectuosas, la reparación de los productos sujetos a un desgaste y rotura razonables o la sustitución de tales productos para garantizar al cliente el mínimo de inconvenientes, a menos que:

Utilização

Seu aspirador Dustbuster® Stick Vac Black & Decker foi projectado para serviços leves de aspiração a seco. Este produto destina-se exclusivamente ao uso doméstico.

Instruções de segurança

- ◆ **Advertência!** Ao utilizar aparelhos eléctricos, é preciso seguir sempre as precauções básicas para a segurança, incluindo as detalhadas a seguir, para diminuir os riscos de incêndio, choque eléctrico, ferimentos pessoais e danos materiais.
- ◆ Leia atentamente este manual antes de utilizar o aparelho.
- ◆ Neste manual indicam-se as utilizações previstas para o aparelho. O uso de qualquer acessório, extensão ou do próprio aparelho em situações diferentes das recomendadas neste manual de instruções pode dar origem a riscos de ferimentos.
- ◆ Guarde este manual para futura consulta.

Utilização do aparelho

- ◆ Assegure-se de que o aparelho está desligado antes de ligar ou desligar da fonte de alimentação.
- ◆ Utilize-o sempre com cautela.
- ◆ Não utilize o aparelho em ambientes externos.
- ◆ Não deixe o aparelho sem vigilância enquanto estiver ligado.
- ◆ Nunca puxe o cabo de alimentação para desligá-lo da tomada. Proteja-o contra o calor e evite o contacto com óleo e objectos cortantes.
- ◆ Se o cabo de alimentação for danificado durante a utilização, desligue o aparelho da energia eléctrica imediatamente. Não toque o cabo de alimentação antes de desligá-lo da fonte de energia.
- ◆ Desligue o aparelho da fonte de alimentação quando não estiver em uso, antes de colocar ou remover acessórios e antes de o limpar.

Segurança de outras pessoas

- ◆ Não permita que as crianças ou qualquer pessoa que não esteja familiarizada com estas instruções utilizem o aparelho.
- ◆ Não permita que crianças, visitantes ou animais cheguem perto da área de trabalho ou toquem no aparelho ou no cabo de alimentação. A supervisão deve ser cautelosa quando o aparelho estiver a ser utilizado perto de crianças.

Após a utilização

- ◆ Desligue o aparelho e retire a ficha da tomada quando for deixá-lo sozinho e antes de trocar, limpar ou inspeccionar qualquer peça.
- ◆ Quando não estiver em utilização, guarde o aparelho num local seco. Mantenha o aparelho fora do alcance das crianças.

Inspeção e reparação

- ◆ Antes de utilizar o aparelho, verifique a existência de danos ou defeitos nas peças. Verifique se existem peças partidas, interruptores danificados ou quaisquer outros problemas que possam afectar o funcionamento do aparelho.
- ◆ Não utilize o aparelho se houver alguma peça defeituosa ou danificada.
- ◆ Qualquer peça defeituosa ou danificada deverá ser reparada ou substituída por um técnico autorizado.
- ◆ Antes de iniciar a utilização, verifique se o cabo de alimentação apresenta sinais de danos, envelhecimento e desgaste.
- ◆ Não utilize o aparelho se o cabo de alimentação ou a tomada estiverem danificados ou apresentarem avarias.
- ◆ Para evitar situações de risco, o cabo de alimentação ou a tomada danificada deverão ser reparados por um agente autorizado. Não corte o cabo de alimentação e não tente repará-lo por conta própria.
- ◆ Nunca tente remover ou trocar peças por outras que não aquelas especificadas neste manual.

Isolamento duplo



Esta ferramenta está duplamente vedada; assim não é necessário fio de terra. Certifique-se sempre de que o fornecimento de energia corresponde à voltagem indicada na placa de especificações.

Instruções de segurança adicionais para aspiradores

- ◆ Não utilize o aparelho para a recolha de objectos quentes.
- ◆ Não utilize o aparelho para a recolha de líquidos.
- ◆ Não utilize o aparelho para recolha de materiais inflamáveis.
- ◆ Não utilize o aparelho próximo à água.
- ◆ Não mergulhe o aparelho em água ou qualquer outra substância líquida.
- ◆ Mantenha o motor longe dos olhos e do rosto.
- ◆ Mantenha o cabelo, roupa e luvas afastadas de partes em movimento.
- ◆ Tenha cuidado quando utilizar o aparelho no cimo de escadas ou perto de crianças.
- ◆ Trabalhe sempre de baixo para cima quando utilizar o aparelho em escadas.
- ◆ Passe sempre o cabo cuidadosamente para evitar tropeçar.
- ◆ Mantenha as crianças e os animais a uma distância segura quando estiver a utilizar o aparelho.
- ◆ Não utilize o aparelho para aspirar quaisquer aparelhos eléctricos que estejam ligados à corrente.
- ◆ Não utilize o aparelho para apanhar objectos afiados que possam danificar o filtro ou outras peças.
- ◆ Não utilize o aparelho sem colocar o reservatório de pó ou os filtros.

Funções

1. Interruptor de ligar/desligar
2. Botão de libertação
3. Pega
4. Reservatório de pó
5. Cabeça de sucção

Fig. A

6. Tubos de extensão
7. Bico estreito
8. Escova

Montagem

Advertência! Certifique-se de que o aparelho está desligado no interruptor e retire a ficha da tomada.

Elevação e separação do manípulo (fig. B)

Elevação

- ◆ Pressione o botão de libertação (9).
- ◆ Levante o manípulo até se encaixar no devido local.

Separação

- ◆ Pressione o botão de libertação (9).
- ◆ Baixe o manípulo até se encaixar no devido local.

Colocação e remoção do aspirador de pó portátil (fig. C)

Colocação

- ◆ Posicione a parte da frente (10) do aparelho na parte inferior (11) da base.
- ◆ Empurre a ponta posterior do aparelho para baixo na base (12) até ouvir um estalido.

Remoção

- ◆ Segure o aparelho pelo manípulo.
- ◆ Mantenha premido o botão de libertação (2).
- ◆ Puxe a ponta posterior do aparelho para fora.
- ◆ Retire o aparelho da base.

Colocação da cabeça de sucção (fig. D)

- ◆ Deslize a cabeça (5) para dentro do bocal da base (12).
- ◆ Para remover a cabeça, puxe-a da base.

Colocação dos acessórios (fig. E)

Os acessórios fornecidos podem ser utilizados em várias combinações, dependendo da tarefa a efectuar:

- Aspiração geral / pó (7 & 8)
- Aspiração em espaços confinados (7)

Para encaixar os acessórios, proceda da seguinte forma:

- ◆ Remova o aparelho da base.

- ◆ Insira o acessório adequado na parte frontal do aparelho.
- ◆ Se necessário, coloque o número exigido de tubos (6) entre o aparelho e o acessório para aumentar a altura de trabalho.

Utilização

Advertência! Antes de ligar a fonte de alimentação, certifique-se de que o aparelho está desligado.

Ligação e desligação

- ◆ Para ligar o aparelho, empurre o interruptor de ligar/desligar (1) para a frente.
- ◆ Para desligar o aparelho, coloque o interruptor de ligar/desligar para trás.

Advertência! Certifique-se de que os acessórios estão correctamente colocados antes de ligar o aparelho. Segure bem no aparelho aquando da ligação e durante a utilização.

Funcionamento do aparelho

O aparelho pode ser utilizado com o cabo longo como um acessório de limpeza vertical ou sem o mesmo como um aspirador de pó portátil.

Utilização como um acessório de limpeza vertical (fig. F & G)

O acessório de limpeza vertical utiliza-se para a aspiração de pisos rígidos, carpetes e tapetes.

- ◆ Levante o manípulo (3).
- ◆ Coloque a extremidade do cabo que conduz ao aparelho no retentor do cabo (13).
- ◆ Ligue o aparelho.
- ◆ Se o aparelho estiver bloqueado na posição vertical através da cabeça de sucção, prenda a cabeça com os seus pés e puxe o manípulo até a cabeça se deslocar.

É necessária a utilização do rolo de escovas (14) para a limpeza de tapetes e carpetes.

- ◆ Para ligar o rolo de escovas, pressione o botão (15).
- ◆ Para desligar o rolo de escovas, pressione novamente o botão (15).

Utilização como um aspirador de pó portátil

O aspirador de pó portátil é para ser utilizado em estofos e espaços confinados.

- ◆ Retire o aspirador de pó portátil da base.
- ◆ Se necessário, coloque o acessório exigido.
- ◆ Ligue o aparelho.

Protecção térmica

O motor do aparelho está equipado com uma protecção térmica. Este dispositivo desliga automaticamente o aparelho no caso de sobreaquecimento.

Caso isto ocorra, proceda da seguinte maneira:

- ◆ Desligue o aparelho e remova a ficha da tomada de parede.
- ◆ Deixe a unidade arrefecer. Quando a unidade tiver arrefecido, esvazie o reservatório de pó e limpe o filtro.
- ◆ Volte a inserir a ficha na tomada e ligue o aparelho.

Como esvaziar o reservatório de pó (fig. H & I)

Quando o reservatório de pó estiver cheio ou o filtro entupido, o reservatório deve ser esvaziado. Esvazie sempre o reservatório de pó para um balde de lixo no exterior.

FV750

- ◆ Solte o reservatório (4) empurrando o botão (16) para a frente. Enquanto mantém o botão na posição frontal, retire o reservatório do aparelho.
- ◆ Retire o filtro (17) do reservatório.
- ◆ Esvazie o reservatório de pó.
- ◆ Volte a colocar o filtro.
- ◆ Volte a colocar o reservatório de pó no aparelho. Assegure-se de que o reservatório de pó está encaixado no lugar apropriado.

FV850

- ◆ Solte o reservatório (4) empurrando o botão (16) para a frente. Enquanto mantém o botão na posição frontal, retire o reservatório do aparelho.
- ◆ Retire o suporte do filtro (18) do reservatório.
- ◆ Esvazie o reservatório de pó.
- ◆ Abra a tampa (19) como ilustrado (fig. I).
- ◆ Retire o filtro (17) do respectivo suporte (19).
- ◆ Volte a colocar o filtro.
- ◆ Volte a colocar a tampa.
- ◆ Volte a colocar o reservatório de pó no aparelho. Assegure-se de que o reservatório de pó está encaixado no lugar apropriado.

Limpeza, manutenção e armazenamento

Esta ferramenta foi desenvolvida para funcionar por um longo período, com um mínimo de manutenção. O funcionamento contínuo e satisfatório depende da limpeza regular e cuidado adequado da ferramenta.

- ◆ Limpe frequentemente o filtro para evitar sobreaquecimento.
- ◆ Limpe regularmente as fendas de ventilação da ferramenta utilizando uma escova suave.
- ◆ Limpe regularmente o compartimento do motor utilizando um pano húmido. Não utilize nenhum detergente abrasivo ou de base solvente.

Limpeza do reservatório de pó e do filtro (fig. H & I)

O filtro é reutilizável e deve-se limpar regularmente. Deve ser substituído quando estiver gasto ou danificado.

- ◆ Esvazie o reservatório de pó como descrito acima.

- ◆ Retire o pó solto dos filtros com uma escova (17).
- ◆ Lave o filtro e o reservatório de pó em água morna com sabão.
- ◆ Assegure-se de que o reservatório de pó e o filtro estejam completamente secos.
- ◆ Volte a colocar o filtro.
- ◆ Volte a colocar o reservatório de pó no aparelho. Assegure-se de que o reservatório de pó esteja encaixado no lugar apropriado.

FV850 - Substituição do filtro HEPA (fig. I)

O filtro HEPA reduz ao mínimo a quantidade de pó que sai do compartimento do motor. Substitua o filtro sempre que estiver degastado ou danificado. Poderá obter filtros para substituição através de seu revendedor Black & Decker.

- ◆ Esvazie o reservatório de pó como descrito acima.
- ◆ Abra a tampa (19).
- ◆ Retire o filtro antigo (17).
- ◆ Introduza o novo filtro tal como apresentado.
- ◆ Volte a colocar a tampa.
- ◆ Volte a colocar o reservatório de pó no aparelho. Assegure-se de que o reservatório de pó está encaixado no lugar apropriado.

Armazenamento do aparelho (fig. J)

- ◆ Coloque o aparelho na posição vertical.
- ◆ Separe o manípulo (3).
- ◆ Ajuste o gancho (18) à posição superior (A).
- ◆ Enrole o cabo à volta do gancho superior e inferior.

Para libertar o cabo:

- ◆ Coloque o gancho (18) na posição inferior (B) ou levante o manípulo.

Protecção do meio ambiente



Recolha em separado. Não deve deitar este produto fora juntamente com o lixo doméstico normal.

Caso chegue o momento em que um dos seus produtos Black & Decker precise de ser substituído ou decida desfazer-se do mesmo, não o deite fora juntamente com o lixo doméstico. Torne este produto disponível para uma recolha em separado.



A recolha em separado de produtos e embalagens utilizados permite que os materiais sejam reciclados e reutilizados. A reutilização de materiais reciclados ajuda a evitar a poluição ambiental e a reduzir a procura de matérias-primas.

Os regulamentos locais poderão providenciar a recolha em separado de produtos eléctricos junto das casas, em lixeiras municipais ou junto dos fornecedores ao adquirir um novo produto.

A Black & Decker oferece um serviço de recolha e reciclagem de produtos Black & Decker que tenha atingido o fim das suas vidas úteis. Para tirar proveito deste serviço, devolva seu produto a qualquer agente de reparação autorizado, que se encarregará de recolher o equipamento em nosso nome.

Para verificar a localização do agente de reparação mais próximo de si, contacte o escritório local da Black & Decker no endereço indicado neste manual. Se preferir, consulte a lista de agentes autorizados da Black & Decker e os dados completos dos nossos serviços de atendimento pós-venda na Internet no endereço: **www.2helpU.com**

Dados técnicos

		FV750	FV850
Voltagem	V _{AC}	230	230
Potência	W	750	850
Peso	kg	3,6	3,6

Declaração de conformidade

FV750/FV850

A Black & Decker declara que estas ferramentas foram concebidas em conformidade com:
89/336/CEE, 73/23/CEE, EN 50144, EN 55014



Kevin Hewitt
Engenheiro Responsável
Spennymoor, County Durham DL16 6JG,
United Kingdom
1-11-2004

Garantia

A Black & Decker confia na qualidade de seus produtos e oferece um programa de garantia excelente. Esta declaração de garantia soma-se aos seus direitos legais e não os prejudica em nenhum aspecto. A garantia será válida nos territórios dos Estados Membros da União Europeia e na Área de Livre Comércio da Europa.

Caso algum produto da Black & Decker apresente avarias devido a defeitos de material, mão-de-obra ou ausência de conformidade no prazo de 24 meses a partir da data de compra, a Black & Decker garantirá a substituição das peças defeituosas, a reparação dos produtos que foram submetidos a uso adequado e remoção ou substituição dos mesmos para assegurar o mínimo de inconvenientes ao cliente a menos que:

- ◆ O produto tenha sido utilizado para fins comerciais, profissionais ou aluguer;
- ◆ O produto tenha sido submetido a uso incorrecto ou descuido;
- ◆ O produto tenha sofrido danos causados por objectos estranhos, substâncias ou acidentes;
- ◆ Tenha um histórico de reparações efectuadas por terceiros que não sejam os agentes autorizados ou profissionais de manutenção da Black & Decker.

Para activar a garantia, será necessário enviar a prova de compra ao revendedor ou agente de reparação autorizado. Para verificar a localização do agente de reparação mais próximo de si contacte o escritório local da Black & Decker no endereço indicado neste manual. Se preferir, consulte a lista de agentes autorizados da Black & Decker e os dados completos de nossos serviços de atendimento pós-venda na Internet no endereço: **www.2helpU.com**

Visite o nosso website **www.blackanddecker.com** para registar o seu novo produto Black & Decker e para se manter actualizado sobre novos produtos e ofertas especiais. Estão disponíveis mais informações sobre a Black & Decker e sobre a nossa gama de produtos em **www.blackanddecker.com**

Användningsområde

Black & Decker Dustbuster® Stick Vac är avsedd för lätt och torr dammsugning.

Produkten är endast avsedd för hemmabruk.

Säkerhetsanvisningar

- ◆ **Varning!** När man använder elektriska apparater är det viktigt att man bl.a. följer nedanstående säkerhetsanvisningar för att minska risken för brand, elektriska stötar, personskador och materialskador.
- ◆ Läs bruksanvisningen innan du använder apparaten.
- ◆ Apparaten är avsedd för den användning som beskrivs i denna bruksanvisning. Använd endast de tillbehör och tillsatser som rekommenderas i bruksanvisningen och katalogerna. Användning av annat tillbehör eller tillsats, eller verksamhet som inte rekommenderas i denna bruksanvisning, kan innebära risk för personskada.
- ◆ Behåll bruksanvisningen för framtida bruk.

Användning av apparaten

- ◆ Se till att apparaten är avstängd innan den kopplas till eller från elnätet.
- ◆ Var alltid försiktig när du använder apparaten.
- ◆ Använd inte apparaten utomhus.
- ◆ Lämna inte apparaten utan tillsyn medan den är kopplad till elnätet.
- ◆ Dra aldrig i sladden för att ta ur stickkontakten. Utsätt inte sladden för värmekällor, olja eller skarpa kanter.
- ◆ Stäng genast av apparaten och dra ut kontakten om sladden skadats vid användning. Vidrör inte sladden förrän kontakten är utdragen.
- ◆ Tag ur kontakten när apparaten inte används, vid byte av någon del av verktyget eller tillbehör samt vid rengöring.

Andra personers säkerhet

- ◆ Låt aldrig barn, eller personer som inte har läst denna bruksanvisning, använda verktyget.
- ◆ Tillåt inte barn, besökande eller djur att komma i närheten av arbetsplatsen eller att röra vid apparaten eller sladden. Var mycket uppmärksam när apparaten används nära barn.

Efter användning

- ◆ Stäng av apparaten och dra ut kontakten ur vägguttaget innan du lämnar apparaten utan tillsyn och innan du byter, rengör eller inspekterar någon del av apparaten.
- ◆ När apparaten inte används ska den förvaras torrt. Se till att barn inte har tillgång till apparaten.

Kontroll och reparation

- ◆ Syna apparaten före bruk på skador eller defekta delar. Kontrollera att inga delar är trasiga, att strömbrytaren inte är skadad eller att inget annat kan inverka på funktionen.

- ◆ Använd inte apparaten om någon del är skadad eller defekt.
- ◆ Om fel uppstår ska delarna repareras eller bytas ut av en auktoriserad Black & Decker serviceverkstad.
- ◆ Kontrollera före användning om sladden är skadad, slitna eller börjar bli gammal.
- ◆ Använd aldrig apparaten om sladden eller kontakten är skadad eller defekt.
- ◆ Om sladden är skadad måste den bytas ut av en behörig reparatör för att undvika risker. Skär/klipp ej i sladden. Försök inte heller att laga den själv.
- ◆ Försök aldrig att ta bort eller byta ut andra delar än dem som nämns i denna bruksanvisning.

Dubbelisolering



Eftersom apparaten är dubbelisolerad behövs ingen jordledare. Kontrollera alltid att nätspänningen överensstämmer med värdet på märkplåten.

Tillkommande säkerhetsanvisningar för dammsugare

- ◆ Sug inte upp heta föremål med apparaten.
- ◆ Sug inte upp vätskor med apparaten.
- ◆ Sug inte upp lättantändligt material med apparaten.
- ◆ Använd inte apparaten i närheten av vatten.
- ◆ Sänk inte apparaten i vatten eller någon annan vätska.
- ◆ Undvik att rikta motorns luftström mot ögonen eller ansiktet.
- ◆ Håll hår, kläder och handskar undan från rörliga delar.
- ◆ Var försiktig när du använder apparaten ovanför en trappa eller med barn i närheten.
- ◆ Arbeta alltid nedifrån och uppåt när du använder apparaten i en trappa.
- ◆ Led sladden alltid så att ingen kan snubbla över den.
- ◆ Se till att barn och husdjur befinner sig på behörigt avstånd när du använder apparaten.
- ◆ Använd aldrig apparaten till att dammsuga elektriska apparater medan dessa är kopplade till elnätet.
- ◆ Använd inte apparaten till att suga upp vassa föremål som kan skada filtret eller andra delar.
- ◆ Använd aldrig apparaten utan dammbehållaren eller filtren på plats.

Detaljbeskrivning

1. Strömbrytare
2. Spärrknapp
3. Handtag
4. Dammbehållare
5. Sugmunstycke

Fig. A

6. Förlängningsrör
7. Munstycke för springor
8. Borstmunstycke

Montering

Varning! Kontrollera att apparaten är avstängd och att sladden är utdragen.

Att lyfta och fälla in handtaget (fig. B)

Lyfta

- ◆ Tryck på spärrknappen (9).
- ◆ Lyft handtaget tills det klickar på plats.

Fälla in

- ◆ Tryck på spärrknappen (9).
- ◆ Sänk handtaget tills det klickar på plats.

Isättning och borttagning av handdammsugaren (fig. C)

Montering

- ◆ Placera apparatens framsida (10) i hållarens undre del (11).
- ◆ Tryck ned apparatens bakända i hållaren (12) tills du hör ett klick.

Avlägsnande

- ◆ Håll apparaten i handtaget.
- ◆ Håll spärrknappen (2) nedtryckt.
- ◆ Dra ut apparatens baksida.
- ◆ Lyft apparaten från hållaren.

Montering av sugmunstycket (fig. D)

- ◆ Skjut in munstycket (5) i uttaget i hållaren (12).
- ◆ Avlägsna munstycket genom att dra lös det från hållaren.

Montering av tillbehör (fig. E)

De bifogade tillbehören kan användas i olika kombinationer, beroende på ändamålet:

- Allmän dammsugning / dammning (7 & 8)
- Dammsugning i trånga utrymmen (7)

Montera tillbehör så här:

- ◆ Avlägsna apparaten från hållaren.
- ◆ Sätt in önskat tillbehör framtill på apparaten.
- ◆ Montera vid behov ett önskat antal rör (6) mellan apparaten och tillbehöret för att förlänga arbetshöjden.

Användning

Varning! Se till att apparaten är avstängd innan du kopplar den till elnätet.

Starta och stoppa verktyget

- ◆ Skjut strömbrytaren (1) framåt för att starta apparaten.
- ◆ Skjut den bakåt för att stänga av apparaten.

Varning! Kontrollera att tillbehören sitter väl på plats innan du startar apparaten. Håll apparaten med ett stadigt grepp när du startar och använder apparaten.

Användning av apparaten

Apparaten kan användas antingen med det långa skaftet som en stående dammsugare eller utan det långa skaftet, som en handdammsugare.

Användning som stående dammsugare (fig. F & G)

Den stående dammsugaren är avsedd för att dammsuga hårda golv och mattor.

- ◆ Hög handtaget (3)
- ◆ Fäst ändan av sladden som går till apparaten i kabelklämman (13).
- ◆ Starta apparaten.
- ◆ Om apparaten hålls i upprätt läge av sugmunstycket kan du hålla munstycket på plats med foten och dra i handtaget tills munstycket lossnar.

Rullborsten (14) används för både mjuka och hårda mattor.

- ◆ Koppla in rullborsten genom att trycka på knappen (15).
- ◆ Koppla ur rullborsten genom att åter trycka på knappen (15).

Användning som handdammsugare

Handdammsugaren används för stoppade möbler och på trånga platser.

- ◆ Avlägsna handdammsugaren från hållaren.
- ◆ Montera vid behov önskat tillbehör.
- ◆ Starta apparaten.

Termiskt skydd

Apparatens motor är försedd med ett överhettningsskydd. Denna anordning stänger automatiskt av apparaten om motorn överhettas. Gör så här om detta sker:

- ◆ Stäng av apparaten och drag ut kontakten ur vägguttaget.
- ◆ Låt apparaten svalna. Töm dammbehållaren och rengör filtret när apparaten har svalnat.
- ◆ Sätt tillbaka kontakten i vägguttaget och starta apparaten.

Tömning av dammbehållaren (fig. H)

Dammbehållaren ska tömmas när den är full eller om filtret är täppt. Töm alltid dammbehållaren i en soptunna utomhus.

- ◆ Lossa behållaren (4) genom att skjuta knappen (16) framåt. Håll knappen i sitt främre läge medan du avlägsnar behållaren från apparaten.
- ◆ Ta ut filtret (17) ur dammbehållaren.
- ◆ Töm dammbehållaren.
- ◆ Sätt tillbaka filtret.
- ◆ Sätt tillbaka dammbehållaren i apparaten. Se till att dammbehållaren knäpper fast.

Rengöring, underhåll och förvaring

Ditt verktyg har tillverkats för att fungera under lång tid med ett minimum av underhåll. Med rätt underhåll och regelbunden rengöring behåller verktyget sin prestanda.

- ◆ Rengör filtret regelbundet för att undvika överhettning.
- ◆ Rengör regelbundet verktygets luftintag med en mjuk borste.
- ◆ Rengör kåpan regelbundet med en fuktig trasa. Använd aldrig rengöringsmedel med lösnings- eller slipmedel.

Tömning av dammbehållaren (fig. H & I)

Dammbehållaren ska tömmas när den är full eller om filtret är täppt. Töm alltid dammbehållaren i en soptunna utomhus.

FV750

- ◆ Lossa behållaren (4) genom att skjuta knappen (16) framåt. Håll knappen i sitt främre läge medan du avlägsnar behållaren från apparaten.
- ◆ Ta ut filtret (17) ur dammbehållaren.
- ◆ Töm dammbehållaren.
- ◆ Sätt tillbaka filtret.
- ◆ Sätt tillbaka dammbehållaren i apparaten. Se till att dammbehållaren knäpper fast.

FV850

- ◆ Lossa behållaren (4) genom att skjuta knappen (16) framåt. Håll knappen i sitt främre läge medan du avlägsnar behållaren från apparaten.
- ◆ Ta ut filterhållaren (18) ur dammbehållaren.
- ◆ Töm dammbehållaren.
- ◆ Öppna locket (19) enligt bilden (fig. I).
- ◆ Drag ut filtret (17) ur filterhållaren (19).
- ◆ Sätt tillbaka filtret.
- ◆ Sätt tillbaka locket
- ◆ Sätt tillbaka dammbehållaren i apparaten. Se till att dammbehållaren knäpper fast.

Rengöring, underhåll och förvaring

Ditt verktyg har tillverkats för att fungera under lång tid med ett minimum av underhåll. Med rätt underhåll och regelbunden rengöring behåller apparaten sin prestanda.

- ◆ Rengör filtret regelbundet för att undvika överhettning.
- ◆ Rengör regelbundet apparatens luftintag med en mjuk borste.
- ◆ Rengör kåpan regelbundet med en fuktig trasa. Använd aldrig rengöringsmedel med lösnings- eller slipmedel i.

Rengöring av dammbehållaren och filtret (fig. H & I)

Filtret kan återanvändas och bör rengöras regelbundet. Det bör bytas ut om det är slitet eller skadat.

- ◆ Töm dammbehållaren enligt beskrivningen ovan.
- ◆ Borsta bort eventuellt löst damm från filtret (17).
- ◆ Tvätta filtret och dammbehållaren i varmt tvålatten.

- ◆ Se till att dammbehållaren och filtret är torra.
- ◆ Sätt tillbaka filtret.
- ◆ Sätt tillbaka dammbehållaren i apparaten. Se till att dammbehållaren knäpper fast.

FV850 - Byte av HEPA-filtret (fig. I)

HEPA-filtret reducerar mängden damm som kommer ut ur motorhuset till ett minimum. Filtret ska bytas ut när det är utslitet eller skadat. Utbytesfilter finns hos din Black & Decker återförsäljare.

- ◆ Töm dammbehållaren enligt beskrivningen ovan.
- ◆ Öppna kåpan (19).
- ◆ Avlägsna det gamla filtret (17).
- ◆ Placera det nya filtret enligt bilden.
- ◆ Sätt tillbaka locket.
- ◆ Sätt tillbaka dammbehållaren i apparaten. Se till att dammbehållaren knäpper fast.

Förvaring av apparaten (fig. J)

- ◆ Ställ apparaten upprätt.
- ◆ Fäll in handtaget (3).
- ◆ Vrid kroken (18) till läge A.
- ◆ Vira sladden runt den övre och undre kroken.

Borttagning av sladden:

- ◆ Vrid kroken (18) till det undre läget (B) eller lyft handtaget.

Miljöskydd



Särskild insamling. Denna produkt får inte kastas bland vanliga hushållssopor.

Om du någon gång i framtiden behöver ersätta din Black & Decker-produkt med en ny, eller inte längre behöver den, ska du inte kasta den i hushållssoporna. Denna produkt skall lämnas till särskild insamling.



Efter insamling av använda produkter och förpackningsmaterial kan materialen återvinnas och användas på nytt. Användning av återvunna material skonar miljön och minskar förbrukningen av råvaror.

Enligt lokal lagstiftning kan det förekomma särskilda insamlingar av uttjänt elutrustning från hushåll, antingen vid kommunala miljöstationer eller hos detaljhandlaren när du köper en ny produkt.

Black & Decker erbjuder en insamlings- och återvinningstjänst för Black & Decker-produkter när de en gång har tjänat ut. För att använda den här tjänsten lämnar du in produkten till en auktoriserad B & D –reparatör/representant som tar hand om den för din räkning.

Närmaste auktoriserad Black & Decker-representant finner du genom det lokala Black & Decker-kontoret på adressen i den här manualen. Annars kan du söka på Internet, på listan över auktoriserade Black & Decker-representanter och alla uppgifter om vår kundservice och andra kontakter

www.2helpU.com

Tekniska data

		FV750	FV850
Spänning	V _{AC}	230	230
Ineffekt	W	750	850
Vikt	kg	3,6	3,6

CE-försäkran om överensstämmelse

FV750/FV850

Black & Decker förklarar att dessa verktyg är konstruerade i överensstämmelse med:

89/336/EEG, 73/23/EEG, EN 50144, EN 55014



Kevin Hewitt
Director of Consumer Engineering
Spennymoor, County Durham DL16 6JG,
United Kingdom
1-11-2004

Garantin gäller inte om reparation har utförts av någon annan än en auktoriserad Black & Decker verkstad.

För att utnyttja garantin skall produkten och inköpskvittot lämnas till återförsäljaren eller till en auktoriserad verkstad senast 2 månader efter det att felet har upptäckts.

För information om närmaste auktoriserad verkstad; kontakta det lokala Black & Decker kontoret på den adress som är angiven i bruksanvisningen. En lista på alla auktoriserade verkstäder samt servicevillkor finns även tillgängligt på Internet, adress: **www.2helpU.com**

Besök vår webbplats **www.blackanddecker.se** för att registrera din nya Black & Decker-produkt samt för att erhålla information om nya produkter och specialerbjudanden. Vidare information om märket Black & Decker och vårt produktsortiment kan återfinnas på **www.blackanddecker.se**

Reservdelar / reparationer

Reservdelar finns att köpa hos auktoriserade Black & Decker verkstäder, som även ger kostnadsförslag och reparerar våra produkter.

Förteckning över våra auktoriserade verkstäder finns på Internet, vår hemsida **www.blackanddecker.se** samt **www.2helpU.com**

Garanti

Black & Decker garanterar att produkten är fri från material- och/eller fabriktionsfel vid leverans till kund. Garantin är i tillägg till konsumentens lagliga rättigheter och påverkar inte dessa. Garantin gäller inom medlemsstaterna i Europeiska Unionen och i det Europeiska Frihandelsområdet.

Om en Black & Decker produkt går sönder på grund av material- och/eller fabriktionsfel eller brister i överensstämmelse med specifikationen, inom 24 månader från köpet, åtar sig Black & Decker att reparera eller byta ut produkten med minsta besvär för kunden.

Garantin gäller inte för fel som beror på:

- ◆ normalt slitage
- ◆ felaktig användning eller skötsel
- ◆ att produkten skadats av främmande föremål, ämnen eller genom olyckshändelse

Bruksområde

Black & Decker Dustbuster® Stick Vac er konstruert for lett, tørr støvsuging.

Apparatet er kun ment for bruk i hjemmet.

Sikkerhetsinstruksjoner

- ◆ **Advarsel!** Ved bruk av elektriske apparater som er koblet til strømmettet, må du alltid følge en del grunnleggende sikkerhetsregler, deriblant følgende, for å redusere faren for brann, elektrisk støt, personskade og materialskade.
- ◆ Les hele denne bruksanvisningen nøye før du bruker apparatet.
- ◆ Bruksanvisningen beskriver hvordan apparatet skal brukes. Bruk bare tilbehør og utstyr til dette apparatet som anbefales i bruksanvisningen. Bruk av annet tilbehør eller utstyr kan medføre risiko for personskade.
- ◆ Ta vare på denne bruksanvisningen for fremtidig bruk.

Bruke apparatet

- ◆ Kontroller at apparatet er slått av før du kobler det til eller fra strømforsyningen.
- ◆ Vær alltid forsiktig når du bruker apparatet.
- ◆ Apparatet må ikke brukes utendørs.
- ◆ Ikke la apparatet stå uten tilsyn når det er koblet til strømmettet.
- ◆ Ikke trekk i ledningen når du skal koble kontakten fra støpslet. Ikke utsett strømledningen for varme, olje eller skarpe kanter.
- ◆ Hvis strømkabelen er skadet ved bruk, må du koble fra strømtilførselen til apparatet umiddelbart. Ikke berør strømledningen før du har koblet fra strømtilførselen.
- ◆ Apparatet må kobles fra strømtilførselen når det ikke er i bruk, før montering eller fjerning av deler, og før rengjøring.

Andre personers sikkerhet

- ◆ La aldri barn eller personer som ikke har lest denne bruksanvisningen bruke apparatet.
- ◆ Ikke la barn eller dyr komme i nærheten av arbeidsområdet eller berøre apparatet eller strømledningen. Vær ekstra oppmerksom når apparatet brukes i nærheten av barn.

Etter bruk

- ◆ Slå av apparatet og trekk ut kontakten før du forlater det og før du skifter, rengjør eller kontrollerer noen deler av det.
- ◆ Når apparatet ikke er i bruk, må det oppbevares på et tørt sted. Apparatet skal oppbevares utilgjengelig for barn.

Kontroll og reparasjon

- ◆ Før bruk må du kontrollere apparatet for skader eller defekte deler. Kontroller også at det ikke finnes deler med brist, at strømbryteren ikke er skadet og eventuelle andre forhold som kan påvirke bruken av apparatet.

- ◆ Bruk aldri apparatet hvis noen av delene er skadet eller defekte.
- ◆ Ved skade eller feil må delene repareres eller byttes ut av et autorisert serviceverksted.
- ◆ Før bruk må du kontrollere om strømledningen er skadet, for gammel eller slitt.
- ◆ Bruk ikke apparatet hvis strømkabelen eller støpslet er skadet eller defekt.
- ◆ Hvis strømledningen eller støpslet er skadet, må de repareres av en autorisert tekniker for å unngå enhver risiko. Ikke kutt strømledningen, og ikke forsøk å reparere den selv.
- ◆ Prøv aldri å fjerne eller bytte andre deler enn de som er angitt i denne bruksanvisningen.

Dobbeltisolering



Dette apparatet er dobbeltisolert. Derfor er jording unødvendig. Kontroller alltid at nettspenningen er i overensstemmelse med spenningen på typeskiltet.

Ekstra sikkerhetsinstruksjoner for støvsugere

- ◆ Apparatet må ikke brukes til å suge opp varme gjenstander.
- ◆ Apparatet må ikke brukes til å suge opp væske.
- ◆ Apparatet må ikke brukes til å suge opp materialer som kan ta fyr.
- ◆ Apparatet må ikke brukes i nærheten av vann.
- ◆ Apparatet må ikke dyppes i vann eller annen væske.
- ◆ Unngå å få luftstrømmen fra motoren i øynene og ansiktet.
- ◆ Hold hår, klær og hansker unna bevegelige deler.
- ◆ Vær forsiktig ved bruk av apparatet øverst i en trapp eller i nærheten av barn.
- ◆ Jobb deg alltid nedenfra og oppover når du bruker apparatet i en trapp.
- ◆ Plasser alltid ledningen med forsiktighet, for ikke å snuble i den.
- ◆ Hold barn og dyr på trygg avstand når du bruker dette apparatet.
- ◆ Ikke bruk støvsugeren til å støvsuge elektriske apparater mens de er tilkoblet strømmettet.
- ◆ Ikke bruk apparatet til å plukke opp skarpe gjenstander som kan komme til å skade filteret eller andre deler.
- ◆ Ikke bruk apparatet uten at støvoppsamleren eller filtrene er på plass.

Funksjoner

1. Strømbryter
2. Utløserknapp
3. Håndtak
4. Støvoppsamler
5. Sugemunnstykke

Fig. A

6. Forlengingsslang
7. Radiatormunnstykke
8. Børstemunnstykke

Montering

Advarsel! Kontroller at apparatet er slått av, og at ledningen er trukket ut.

Heve og folde sammen håndtaket (fig. B)**Heve**

- ◆ Trykk utløserknappen (9).
- ◆ Hev håndtaket til det klikker på plass.

Folde sammen

- ◆ Trykk utløserknappen (9).
- ◆ Senk håndtaket til det klikker på plass.

Montere og fjerne den håndholdte støvsugeren (fig. C)**Plassere i basen**

- ◆ Plasser forsiden (10) av apparatet i nedre del (11) av basen.
- ◆ Trykk bakre del av apparatet ned i basen (12) til du hører et klikk.

Ta ut av basen

- ◆ Hold apparatet i håndtaket.
- ◆ Hold utløserknappen (2) inne.
- ◆ Trekk bakre del av apparatet ut.
- ◆ Løft apparatet ut av basen.

Montere sugemunnstykket (fig. D)

- ◆ Skyv munnstykket (5) inn i dysen på basen (12).
- ◆ For å fjerne munnstykket, trekk det av basen.

Montere tilbehøret (fig. E)

Tilbehøret som følger med kan brukes i forskjellige kombinasjoner, avhengig av arbeidsoppgaven:

- Vanlig støvsuging / -støvfjerning (7 & 8)
- Støvsuging på trange steder (7)

Slik monterer du et tilbehør:

- ◆ Ta apparatet ut av basen.
- ◆ Sett det tilbehøret du vil bruke inn på forsiden av apparatet.
- ◆ Monter om nødvendig de rørene (6) du trenger mellom apparatet og tilbehøret for å få bedre arbeidshøyde.

Bruk

Advarsel! Pass på at apparatet er slått av før du kobler det til strømforsyningen.

Slå strømmen på og av

- ◆ Du slår apparatet på ved å skyve strømbryteren (1) fremover.
- ◆ Du slår apparatet av ved å skyve strømbryteren bakover.

Advarsel! Pass på at tilbehøret er godt festet før du slår strømmen på. Hold apparatet med et fast grep når du slår det på og mens du bruker det.

Bruke apparatet

Apparatet kan enten brukes som stående støvsuger med det lange håndtaket, eller som håndholdt støvsuger uten dette lange håndtaket:

Brukt som stående støvsuger (fig. F & G)

Den stående støvsugeren brukes til støvsuging av harde gulv, tepper og matter.

- ◆ Hev håndtaket (3).
- ◆ Fest den kabelenden som går til apparatet i kabelholderen (13).
- ◆ Slå apparatet på.
- ◆ Hvis apparatet er låst i stående stilling med sugemunnstykket, hold munnstykket på plass med foten og trekk i håndtaket til munnstykket løsner.

Du trenger børsterullen (14) når du rengjør matter og tepper.

- ◆ Trykk på knappen (15) for å slå børsterullen på.
- ◆ Trykk på knappen (15) igjen for å slå børsterullen av.

Betjening som håndholdt støvsuger

Den håndholdte støvsugeren skal bare brukes på møbler og på trange steder.

- ◆ Ta den håndholdte støvsugeren ut av basen.
- ◆ Monter det tilbehøret du vil ha, om nødvendig.
- ◆ Slå apparatet på.

Varmesikring

Apparatets motor er utstyrt med en varmesikring. Denne slår automatisk av apparatet hvis det blir overopphetet. Hvis det skjer, må du gå frem på følgende måte:

- ◆ Slå av apparatet og trekk støpselet ut av stikkontakten.
- ◆ La apparatet kjøle seg ned. Når det er avkjølt, må du tømme støvoppsamleren og rengjøre filteret.
- ◆ Sett inn støpselet i stikkontakten igjen og slå apparatet på.

Tømme støvoppsamleren (fig. H & I)

Når støvoppsamleren er full eller filteret tilstoppet, må oppsamleren tømmes. Støvoppsamleren må alltid tømmes i en utendørs søppelkasse.

FV750

- ◆ Frigjør oppsamleren (4) ved å skyve knappen (16) forover. Mens du holder knappen forover, trekk oppsamleren ut av apparatet.
- ◆ Ta filteret (17) ut av støvoppsamleren.
- ◆ Tøm støvoppsamleren.
- ◆ Sett på filteret igjen.
- ◆ Sett støvoppsamleren tilbake på apparatet. Pass på at støvoppsamleren klikker på plass.

FV850

- ◆ Frigjør oppsamleren (4) ved å skyve knappen (16) forover. Mens du holder knappen forover, trekk oppsamleren ut av apparatet.
- ◆ Ta filterholderen (18) ut av støvoppsamleren.
- ◆ Tøm støvoppsamleren.
- ◆ Åpne dekselet (19) som vist (fig. I).
- ◆ Trekk filteret (17) ut av filterholderen (19).
- ◆ Sett på filteret igjen.
- ◆ Sett dekselet på plass.
- ◆ Sett støvoppsamleren tilbake på apparatet. Pass på at støvoppsamleren klikker på plass.

Rengjøring, vedlikehold og oppbevaring

Verktøyet ditt er utformet for å være i drift over lengre tid med et minimum av vedlikehold. Det er avhengig av godt vedlikehold og regelmessig rengjøring for å fungere som det skal til enhver tid.

- ◆ Rengjør filteret regelmessig for å unngå overoppheting.
- ◆ Rengjør ventilasjonsåpningene i apparatet regelmessig med en myk børste.
- ◆ Rengjør motorhuset regelmessig med en fuktig klut. Ikke bruk slipende eller løsemiddelbaserte rengjøringsmidler.

Rengjøre støvoppsamleren og filtrene (fig. H & I)

Filtret kan brukes mange ganger, og må rengjøres ofte. Det bør skiftes ut hvis det er slitt eller skadet.

- ◆ Tøm støvoppsamleren som beskrevet ovenfor.
- ◆ Børst av eventuelt løst støv på filteret (17).
- ◆ Vask filteret og støvoppsamleren i varmt såpevann.
- ◆ Sørg for at støvoppsamleren og filteret er helt tørre.
- ◆ Sett på filteret igjen.
- ◆ Sett støvoppsamleren tilbake på apparatet. Pass på at støvoppsamleren klikker på plass.

FV850 - Skifte HEPA-filtrene (fig. I)

HEPA-filteret reduserer støvmengden som kommer ut av motorhuset, til et minimum. Filteret må skiftes når det er slitt eller skadet. Nye filtre kan skaffes hos din Black & Decker-forhandler.

- ◆ Tøm støvoppsamleren som beskrevet ovenfor.
- ◆ Åpne dekslet (19).
- ◆ Fjern det gamle filter (17).

- ◆ Sett inn det nye filter som vist.
- ◆ Sett dekselet på plass.
- ◆ Sett støvoppsamleren tilbake på apparatet. Pass på at støvoppsamleren klikker på plass.

Oppbevare apparatet (fig. J)

- ◆ Plasser apparatet i stående stilling.
- ◆ Fold inn håndtaket (3).
- ◆ Sett kroken (18) i øvre stilling (A).
- ◆ Rull ledningen rundt øvre og nedre krok.

For å frigjøre ledningen:

- ◆ Sett kroken (18) i nedre stilling (B) eller løft håndtaket.

Miljøvern

Kildesortering. Dette produktet må ikke kastes i det vanlige husholdningsavfallet.

Hvis du finner ut at Black & Decker-produktet ditt må skiftes ut, eller hvis du ikke lenger har bruk for det, må du unnlate å kaste det sammen med det vanlige husholdningsavfallet. Sørg for at dette produktet gjøres tilgjengelig for kildesortering.



Kildesortering av brukte produkter og emballasje gjør det mulig å resirkulere materialer og bruke dem igjen. Gjenbruk av resirkulerte materialer bidrar til å forhindre forurensning av miljøet og reduserer behovet for råmaterialer.

Lokale regelverk kan legge tilrette for kildesortering av elektriske produkter fra husholdningen, ved kommunale deponier eller gjennom forhandleren når du kjøper et nytt produkt.

Black & Decker har tilrettelagt for innsamling og resirkulering av Black & Decker-produkter etter at de har utspilt sin rolle. Ønsker du å benytte deg av denne tjenesten, returnerer du produktet ditt til et autorisert serviceverksted, som tar det imot og formidler det videre.

Du kan få adressen til ditt nærmeste autoriserte serviceverksted ved å kontakte ditt lokale Black & Decker-kontor på adressen oppgitt i denne håndboken. Du kan også finne en komplett liste over autoriserte Black & Decker-serviceverksteder og utfyllende informasjon om vår etter salg-service og kontaktnumre på Internett på følgende adresse: **www.2helpU.com**

Tekniske data

		FV750	FV850
Spenning	V _{AC}	230	230
Inn-effekt	W	750	850
Vekt	kg	3,6	3,6

CE-sikkerhetserklæring

FV750/FV850

Black & Decker erklærer at disse verktøyer er konstruert
i henhold til:

89/336/EØF, 73/23/EØF, EN 50144, EN 55014



Kevin Hewitt
Director of Consumer Engineering
Spennymoor, County Durham DL16 6JG,
United Kingdom
1-11-2004

For å ta garantien i bruk skal produktet og kjøpekvitte-
ring leveres til forhandleren eller til et autorisert serviceverksted
senest 2 måneder etter at feilen har blitt oppdaget.

For informasjon om nærmeste autoriserte serviceverksted;
kontakt det lokale Black & Decker kontoret på den adressen
som er angitt i bruksanvisningen.

En oversikt over alle autoriserte serviceverksteder samt
servicevilkår finnes også tilgjengelig på Internet, adresse:
www.2helpU.com

Vennligst stikk innom våre nettsider på
www.blackanddecker.no for å registrere ditt nye
Black & Decker-produkt og for å holde deg oppdatert om nye
produkter og spesialtilbud. Du finner mer informasjon om
Black & Decker og produktutvalget vårt på
www.blackanddecker.no

Reservdeler / reparasjoner

Reservdeler kan kjøpes hos autoriserte Black & Decker
serviceverksteder, som også gir kostnadsoverslag og reparerer
våre produkter.

Oversikt over våre autoriserte serviceverksteder finnes på
Internet, vår hjemmeside **www.blackanddecker.no** samt
www.2helpU.com

Garanti

Black & Decker garanterer at produktet ikke har material- og/
eller fabrikkasjonsfeil ved levering til kunde. Garantien er i
tillegg til kundens lovlige rettigheter og påvirker ikke disse.
Garantien gjelder innen medlemsstatene i den Europeiske
Unionen og i det Europeiske Frihandelsområdet.

Hvis et Black & Decker produkt går i stykker på grunn av
material- og/eller fabrikkasjonsfeil eller har mangler i forhold til
spesifikasjonene, innen 24 måneder fra kjøpet, påtar
Black & Decker seg å reparere eller bytte ut produktet med
minst mulig vanskelighet for kunden.

Garantien gjelder ikke for feil som kommer av:

- ◆ normal slittasje
- ◆ feilaktig bruk eller vedlikehold (mislighold)
- ◆ at produktet har blitt skadet av fremmede gjenstander,
emner eller ved et uhell

Det gjøres oppmerksom på at produktet ikke er beregnet på
industriell/profesjonell/yrkesmessig bruk, men til hus- og
hjemmebruk.

Garantien gjelder ikke om reparasjoner har blitt utført av noen
andre enn et autorisert Black & Decker serviceverksted.

Anvendelsesområde

Din Black & Decker Dustbuster® Stick Vac er designet til lette tørstøvsugningsformål.

Produktet er kun beregnet til husholdningsbrug.

Sikkerhedsinstruktioner

- ◆ **Advarsel!** Ved brug af elektriske apparater skal de grundlæggende sikkerhedsforanstaltninger, inkl. nedenstående, altid følges, således at risikoen for brand, elektrisk stød samt person- og materialeskader begrænses.
- ◆ Læs denne brugsanvisning omhyggeligt igennem, inden apparatet tages i brug.
- ◆ Apparatet skal bruges som beskrevet i denne brugsanvisning. Anvendelsen af andet tilbehør til dette apparat eller udførelse af opgaver med andet udstyr end det her anbefalede kan medføre risiko for personskader.
- ◆ Opbevar denne brugsanvisning til fremtidig brug.

Brug af apparatet

- ◆ Sørg for, at apparatet er slukket, før du tilslutter den til strømforsyningen eller afbryder den.
- ◆ Vær altid omhyggelig, når du bruger apparatet.
- ◆ Brug ikke apparatet udendørs.
- ◆ Forlad ikke apparatet uden opsyn, når det er tilsluttet strøm.
- ◆ Træk aldrig i ledningen for at tage stikket ud af kontakten. Ledningen skal holdes på afstand af varme, olie og skarpe kanter.
- ◆ Hvis ledningen beskadiges ved brugen, skal apparatet straks afbrydes ved kontakten. Rør ikke ved el-ledningen, før den er trukket ud af kontakten.
- ◆ Afbryd apparatet ved stikkontakten, når det ikke er i brug, før du monterer eller fjerner dele fra det, og før du rengør det.

Andres sikkerhed

- ◆ Tillad ikke børn eller personer, der ikke har læst denne brugsanvisning, at arbejde med apparatet.
- ◆ Børn eller dyr må ikke nærme sig arbejdsområdet eller røre ved apparatet eller netkablet. Tæt overvågning er nødvendig, når apparatet bruges i nærheden af børn.

Efter brug

- ◆ Sluk for apparatet, og tag stikket ud af kontakten, før apparatet efterlades ubevogtet, samt før en eller flere dele skal ændres, renses eller undersøges.
- ◆ Når apparatet ikke er i brug, skal det opbevares et tørt sted. Børn må ikke have adgang til opbevarede apparater.

Undersøgelse og reparation

- ◆ Før brug skal apparatet kontrolleres for skader eller defekte dele. Kontroller for brud på delene, for skader på knapper og andet, der kan have indflydelse på apparatets funktion.

- ◆ Apparatet må ikke benyttes, hvis nogen af delene er beskadigede eller defekte.
- ◆ Skadede eller defekte dele skal repareres eller udskiftes af en autoriseret tekniker.
- ◆ Før brug kontrolleres ledningen for tegn på skader, ældning og slid.
- ◆ Brug ikke apparatet, hvis ledningen eller stikket er beskadiget eller defekt.
- ◆ Hvis elkablet eller stikket er beskadiget eller defekt, skal det repareres af en autoriseret reparatør for at undgå ulykker. Skær ikke i elkablet og forsøg ikke selv at reparere det.
- ◆ Forsøg aldrig at fjerne eller udskifte andre dele end dem, der er specificeret i denne brugsanvisning.

Dobbelt isolering



Dette apparat er dobbelt isoleret. Derfor er jordledning ikke nødvendig. Kontroller altid, at strømforsyningen svarer til spændingen på typeskiltet.

Supplerende sikkerhedsinstruktioner for støvsugere

- ◆ Brug ikke apparatet til at suge varme objekter op med.
- ◆ Brug ikke apparatet til at suge væsker op med.
- ◆ Brug ikke apparatet til at tage letantændelige materialer op med.
- ◆ Brug ikke apparatet i nærheden af vand.
- ◆ Dyp ikke apparatet ned i vand eller nogen anden væske.
- ◆ Hold motoren på afstand af ansigtet og øjnene.
- ◆ Hold hår, tøj og handsker væk fra dele, der bevæger sig.
- ◆ Vær forsigtig, når du bruger apparatet på trapper eller i nærheden af børn.
- ◆ Arbejd dig altid opad, når du bruger apparatet på trapper.
- ◆ Før altid ledningen med omhu for at undgå, at nogen falder i den.
- ◆ Hold børn og dyr på sikker afstand af apparatet, når det bruges.
- ◆ Brug ikke apparatet til at støvsuge elektriske apparater, der er tilsluttet strøm.
- ◆ Anvend ikke apparatet til at optage skarpe genstande, da de kan beskadige filteret og andre dele.
- ◆ Brug ikke apparatet, hvis ikke støvbeholderen eller filtrene er på plads.

Funktioner

1. Afbryder
2. Udløserknap
3. Håndtag
4. Støvbeholder
5. Sugemundstykke

Fig. A

6. Forlængelsesstænger
7. Sprækkemundstykke
8. Børstemundstykke

Samling

Advarsel! Man skal sikre sig, at apparatet er slukket og taget ud af stikkontakten.

Sådan løftes og monteres håndtaget (fig. B)**Løftning**

- ◆ Tryk på udløserknappen (9).
- ◆ Løft håndtaget, til det klikker på plads.

Foldning

- ◆ Tryk på udløserknappen (9).
- ◆ Sænk håndtaget, til det klikker på plads.

Montering og demontering af den håndholdte støvsuger (fig. C)**Montering**

- ◆ Anbring fronten (10) af apparatet på den nedre del (11) af basisdelen.
- ◆ Skub bagenden af apparatet ned i basisdelen (12), til du hører et klik.

Demontering

- ◆ Hold apparatet i håndtaget.
- ◆ Hold udløserknappen (2) inde.
- ◆ Træk bagenden af apparatet ud.
- ◆ Løft apparatet væk fra basisdelen.

Montering af sugehovedet (fig. D)

- ◆ Skub hovedet (5) ind i basisdelens (12) mundstykke.
- ◆ Demontér hovedet ved at trække det ud af basisenheden.

Montering af tilbehøret (fig. E)

Det medfølgende tilbehør kan bruges i forskellige kombinationer, afhængigt af opgaven:

- Almindelig støvsugning/afstøvning (7 & 8)
- Støvsugning på smalle steder (7)

Gør følgende for at montere en tilbehørsdel:

- ◆ Fjern apparatet fra basisdelen.
- ◆ Indsæt det ønskede tilbehør foran på apparatet.
- ◆ Montér eventuelt det ønskede antal stænger (6) mellem apparatet og tilbehøret for at forlænge arbejdshøjden.

Anvendelse

Advarsel! Sørg for, at apparatet er slukket, inden det sluttes til strømmen.

Tænding og slukning

- ◆ Tænd værktøjet ved at skyde afbryderen (1) fremad.
- ◆ Sluk apparatet ved at skyde afbryderen tilbage.

Advarsel! Sørg for, at tilbehøret er sikkert fastgjort, inden der tændes for apparatet. Hold godt fast i apparatet under brugen og når det tændes.

Anvendelse af apparatet

Du kan bruge apparatet enten med det lange håndtag som en opretstående støvsuger eller uden det lange håndtag som en håndholdt støvsuger.

Anvendelse som opretstående støvsuger (fig. F & G)

Den opretstående støvsuger bruges til støvsugning af hårde gulve, gulvtæpper og løse tæpper.

- ◆ Løft håndtaget (3).
- ◆ Klik apparatets kabelende ind i kablets fastspænding (13).
- ◆ Tænd for apparatet.
- ◆ Hvis apparatet er låst i opretstående position af sugehovedet, holdes hovedet på plads med foden, og håndtaget trækkes, indtil hovedet bliver forrykket.

Børsterullen (14) er nødvendig til rengøring af løse tæpper og gulvtæpper.

- ◆ Tænd for børsterullen ved at trykke på knappen (15).
- ◆ Sluk for børsterullen ved at trykke på knappen (15) igen.

Anvendelse som håndholdt støvsuger

Den håndholdte støvsuger bruges på postrede møbler og på smalle steder.

- ◆ Tag den håndholdte støvsuger fra basisdelen.
- ◆ Montér eventuelt det nødvendige tilbehør.
- ◆ Tænd for apparatet.

Varmebeskyttelsesordning

Apparatets motor har en indbygget varmebeskyttelsesordning. Denne ordning slukker automatisk for apparatet i tilfælde af overophedning. Gør følgende, hvis det forekommer:

- ◆ Sluk for apparatet, og tag stikket ud af stikkontakten.
- ◆ Lad apparatet køle af. Når enheden er kølet ned, tømmer støvbeholderen, og filteret renses.
- ◆ Sæt igen stikket i stikkontakten, og tænd for apparatet.

Tømning af støvbeholderen (fig. H og I)

Når støvbeholderen er fuld, eller hvis filteret bliver tilstoppet, skal beholderen tømmes. Tøm altid støvbeholderen i en affaldsbeholder udendørs.

FV750

- ◆ Løsn beholderen (4) ved at skubbe knappen (16) frem. Mens knappen holdes fremme, fjernes beholderen fra apparatet.
- ◆ Tag filteret (17) ud af støvbeholderen.
- ◆ Tøm støvbeholderen.
- ◆ Montér filteret igen.
- ◆ Sæt støvbeholderen fast i apparatet. Sørg for, at støvbeholderen klikker på plads.

FV850

- ◆ Løsn beholderen (4) ved at skubbe knappen (16) frem. Mens knappen holdes fremme, fjernes beholderen fra apparatet.
- ◆ Tag filterholderen (18) ud af støvbeholderen.
- ◆ Tøm støvbeholderen.
- ◆ Åben dækslet (19) som vist (fig. I).
- ◆ Træk filteret (17) ud af filterholderen (19).
- ◆ Montér filteret igen.
- ◆ Sæt dækslet på igen
- ◆ Sæt støvbeholderen fast i apparatet. Sørg for, at støvbeholderen klikker på plads.

Rengøring, vedligeholdelse og opbevaring

Værktøjet er beregnet til at være i drift gennem en længere periode med minimal vedligeholdelse. Fortsat tilfredsstillende drift afhænger af korrekt behandling af værktøjet samt regelmæssig rengøring.

- ◆ Rens hyppigt filteret for at undgå overophedning.
- ◆ Rens regelmæssigt værktøjets ventilationshuller med en blød børste.
- ◆ Rens med jævne mellemrum motorhuset med en fugtig klud. Der må ikke bruges skuremidler eller opløsningsmidler.

Rengøring af støvbeholderen og filteret (fig. H & I)

Filteret kan bruges igen og bør renses jævnligt. Det skal udskiftes, hvis det er slidt eller beskadiget.

- ◆ Tøm støvbeholderen som beskrevet ovenfor.
- ◆ Børst alt løst støv af filteret (17).
- ◆ Vask filteret og beholderen i varmt sæbevand.
- ◆ Sørg for, at støvbeholderen og filteret er helt tørt.
- ◆ Montér filteret igen.
- ◆ Sæt støvbeholderen fast i apparatet. Sørg for, at støvbeholderen klikker på plads.

FV850 - Udskiftning af HEPA filtrene (fig. I)

HEPA-filteret begrænser mængden af støv fra motorhuset til et minimum. Filteret skal udskiftes, når det er slidt eller beskadiget. Udskiftningsfiltre fås hos din Black & Decker-forhandler.

- ◆ Tøm støvbeholderen som beskrevet ovenfor.
- ◆ Åben dækslet (19).
- ◆ Tag det gamle filter (17) ud.
- ◆ Sæt det nye filter i som vist.
- ◆ Sæt dækslet på igen.
- ◆ Sæt støvbeholderen fast i apparatet. Sørg for, at støvbeholderen klikker på plads.

Opbevaring af apparatet (fig. J)

- ◆ Stil apparatet i oprejst position.
- ◆ Fold håndtaget (3).
- ◆ Indstil kroen (18) på position op (A).
- ◆ Vind ledningen omkring både øverste og nederste krog. Sådan aftages ledningen:
 - ◆ Indstil kroen (18) på position ned (B), eller løft håndtaget.

Beskyttelse af miljøet

Separat indsamling. Dette produkt må ikke bortskaffes sammen med almindeligt husholdningsaffald.

Hvis du en dag skal udskifte dit Black & Decker produkt, eller hvis du ikke skal bruge det længere, må du ikke bortskaffe det sammen med husholdningsaffald. Dette produkt skal være tilgængeligt for separat indsamling.



Separat indsamling af brugte produkter og emballage gør det muligt at genbruge materialer. Genbrugte materialer forebygger miljøforurening og nedbringer behovet for råstoffer.

Lokale regler kan give mulighed for separat indsamling af elektriske husholdningsprodukter på kommunale lossepladser eller hos den forhandler, som du købte produktet af.

Black & Decker har en facilitet til indsamling og genbrug af Black & Decker-produkter, når deres levetid er slut. Få fordelene ved denne service ved at returnere produktet til en autoriseret tekniker, der samler værktøj sammen på vores vegne.

Du kan få oplyst den nærmeste autoriserede tekniker ved at kontakte det lokale Black & Decker-kontor på den adresse, der er angivet i denne brugsanvisning. Alternativt findes der en liste over autoriserede Black & Decker-teknikere og oplysninger om vores eftersalgsservice og kontaktpersoner på Internettet på adressen: www.2helpU.com

Tekniske data

		FV750	FV850
Spænding	V _{AC}	230	230
Motoreffekt	W	750	850
Vægt	kg	3,6	3,6

EU-overensstemmelseserklæring

FV750/FV850

Black & Decker erklærer, at disse værktøjer er konstrueret
i henhold til:

89/336/EØF, 73/23/EØF, EN 50144, EN 55014



Kevin Hewitt
Director of Consumer Engineering
Spennymoor, County Durham DL16 6JG,
United Kingdom
1-11-2004

For at udnytte garantien skal produktet og købskvitteringen indleveres til forhandleren eller til et autoriseret værksted, senest 2 måneder efter at fejlen opdages. For information om nærmeste autoriserede værksted: kontakt det lokale Black & Decker kontor på den adresse som er opgivet i brugsanvisningen. Liste over alle autoriserede Black & Decker serviceværksteder samt servicevilkår er tilgængelig på internettet, på adressen **www.2helpU.com**

Gå venligst ind på vores website **www.blackanddecker.dk** for at registrere dit nye produkt og for at blive holdt ajour om nye produkter og specialtilbud. Der findes yderligere oplysninger om mærket Black & Decker og vores produktsortiment på adressen **www.blackanddecker.dk**

Reserve dele / reparationer

Reserve dele kan købes hos autoriserede Black & Decker serviceværksteder, som giver forslag til omkostninger og reparerer vore produkter. Oversigt over vore autoriserede værksteder findes på internettet på vor hjemmeside **www.blackanddecker.dk** samt **www.2helpU.com**

Garanti

Black & Decker garanterer, at produktet er fri for materielle skader og/eller fabrikationsfejl ved levering til kunden. Garantien er et tillæg til konsumentens lovlige rettigheder og påvirker ikke disse. Garantien gælder indenfor medlemsstaterne af den Europæiske Union og i det Europæiske Frihandelsområde.

Hvis et Black & Decker produkt går i stykker på grund af materiel skade og/eller fabrikationsfejl eller på anden måde ikke fungerer i overensstemmelse med specifikationen, inden for 24 måneder fra købsdatoen, påtager Black & Decker sig at reparere eller ombytte produktet med mindst muligt besvær for kunden.

Garantien gælder ikke for fejl og mangler, der er sket i forbindelse med:

- ◆ normal slitage
- ◆ uheldige følger efter unormal anvendelse af værktøjet
- ◆ overbelastning, hærværk eller overdrevent intensivt brug af værktøjet
- ◆ ulykkehændelse

Garantien gælder ikke hvis reparationer er udført af nogen anden end et autoriseret Black & Decker værksted.

Käyttötarkoitus

Black & Deckerin Dustbuster® Stick Vac on suunniteltu kevyeen kuivaimurointiin.

Kone on tarkoitettu ainoastaan kotikäyttöön.

Turvallisuusohjeet

- ◆ **Varoitus!** Sähkötyökaluja käytettäessä on aina noudatettava mm. seuraavia turvallisuusohjeita, jotta tulipalojen, sähköiskujen, henkilövahinkojen ja materiaalivaurioiden riski olisi mahdollisimman pieni.
- ◆ Lue käyttöohje huolellisesti ennen koneen käyttöönottoa.
- ◆ Koneen käyttötarkoitus kuvataan tässä käyttöohjeessa. Käytä konetta ainoastaan sellaiseen työhön, johon se on tarkoitettu, ja käytä vain käyttöohjeessa ja tuotekuvastossa suositeltuja tarvikkeita ja lisälaitteita. Ohjeesta poikkeava käyttö voi aiheuttaa onnettomuuden.
- ◆ Säilytä käyttöohje kaikkien koneen käyttäjien ulottuvilla.

Laitteen käyttäminen

- ◆ Varmistu, että kone on sammutettu ennen kuin kytket sen irti verkkovirrasta tai verkkovirtaan.
- ◆ Ole aina huolellinen käyttäessäsi konetta.
- ◆ Älä käytä laitetta ulkona.
- ◆ Älä jätä laitetta ilman valvontaa, kun se on kytkettynä virtalähteeseen.
- ◆ Älä koskaan irrota pistoketta pistorasiasta vetämällä johdosta. Suojaa johto kuumuudelta, öljyltä ja teräviltä reunoilta.
- ◆ Jos virtajohto vahingoittuu käytön aikana, kytke se välittömästi irti virtalähteestä. Älä kosketa johtoa ennen kuin olet irrottanut sen virtalähteestä.
- ◆ Jos et käytä laitetta, kytke se irti virtalähteestä ennen osien asentamista tai irrottamista ja ennen puhdistusta.

Muiden turvallisuus

- ◆ Älä anna lasten tai kenenkään, joka ei ole lukenut tätä käyttöohjetta tai tutustunut koneeseen, käyttää konetta.
- ◆ Älä anna lasten tai eläinten tulla lähelle työskentelyaluetta tai koskea koneeseen tai sähköjohtoon. Jos konetta käytetään lasten läheisyydessä, on välttämätöntä olla tarkkaavainen.

Käytön jälkeen

- ◆ Sammuta kone ja vedä pistoke irti pistorasiasta, ennen kuin jätät laitteen ilman valvontaa ja ennen sen osien vaihtamista, puhdistamista tai tarkastamista.
- ◆ Säilytä laitetta kuivassa paikassa, kun se ei ole käytössä. Varmista, että lapset eivät pääse käsiksi laitteisiin.

Tarkastus ja korjaukset

- ◆ Tarkista ennen käyttöä, ettei laitteessa ole vaurioita tai viallisia osia.

Tarkista, ettei laitteessa ole murtuneita osia, vaurioituneita kytkimiä tai muita seikkoja, jotka saattavat vaikuttaa sen toimintaan.

- ◆ Älä käytä laitetta, jos jokin sen osista on viallinen.
- ◆ Viallinen osa tulee korjata tai vaihtaa valtuutetussa Black & Deckerin huoltoliikkeessä.
- ◆ Tarkista sähköjohto ennen käyttöä vaurioiden, vanhenemisen tai kulumien varalta.
- ◆ Älä käytä konetta, jos virtajohto tai pistoke ovat vahingoittuneet tai vialliset.
- ◆ Jos sähköjohto on vaurioitunut tai viallinen, se voidaan korjata vain valtuutetussa Black & Deckerin huoltoliikkeessä vaaratilanteiden välttämiseksi. Älä katkaise virtajohtoa äläkä yritä korjata sitä itse.
- ◆ Älä koskaan yritä irrottaa tai vaihtaa sellaisia osia, joita ei ole määritelty tässä oppaassa.

Kaksoiseristys



Tämä kone on kaksoiseristetty, joten erillistä maadoitusta ei tarvita. Tarkista aina, että virtalähde vastaa arvokilvessä ilmoitettua jännitettä.

Lisäturvaohjeet pölynimureille

- ◆ Älä käytä konetta kuumien esineiden imuroimiseen.
- ◆ Älä käytä konetta nesteiden imuroimiseen.
- ◆ Älä imuroi materiaaleja, jotka saattavat syttyä palamaan.
- ◆ Älä käytä laitetta veden lähellä.
- ◆ Älä upota laitetta veteen tai muuhun nesteeseen.
- ◆ Pidä moottorin ilmavirta pois silmien ja kasvojen alueelta.
- ◆ Pidä hiukset, vaatteet ja käsineet loitolla liikkuvista osista.
- ◆ Ole varovainen, kun käytät laitetta portaiden yläpäässä tai lasten lähellä.
- ◆ Työskentele aina alhaalta ylöspäin, kun käytät laitetta portaissa.
- ◆ Ohjaa johto aina huolellisesti, ettei kompastumisvaaraa muodostu.
- ◆ Työskentele turvallisen etäisyyden päässä lapsista ja eläimistä.
- ◆ Älä puhdista muita sähkölaitteita imuroimalla, jos sähkölaitteen virtajohto on kytkettynä.
- ◆ Älä käytä laitetta terävien esineiden imuroimiseen. Terävät esineet voivat vaurioittaa suodatinta tai muita osia.
- ◆ Älä käytä laitetta, elleivät pölynkeräysastia tai suodattimet ole paikoillaan.

Yleiskuvaus

1. Virrankatkaisija
2. Vapautusnappi
3. Kädensija
4. Pölynkeräysastia
5. Imupää

Kuva A

6. Jatkoputket
7. Rakosuulake
8. Harja

Kokoaminen

Varoitus! Varmista, että laite on kytketty pois päältä ja pistoke irti virtalähteestä.

Kädensijan nostaminen ja taittaminen (kuva B)**Nostaminen**

- ◆ Paina vapautusnappia (9).
- ◆ Nosta kädensijaa, kunnes se napsahtaa paikalleen.

Taittaminen

- ◆ Paina vapautusnappia (9).
- ◆ Laske kädensijaa, kunnes se napsahtaa paikalleen.

Rikkaimurin kiinnitys ja poisto (kuva C)**Kiinnitys**

- ◆ Aseta koneen etuosa (10) alustan alaosaan (11).
- ◆ Paina koneen takaosaa alaspäin alustaan (12), kunnes kuuluu napsahdus.

Poisto

- ◆ Pidä konetta alakädensijasta.
- ◆ Pidä vapautusnappia (2) painettuna.
- ◆ Vedä koneen takaosa irti alakädensijasta.
- ◆ Nosta kone pois alustasta.

Imupään kiinnittäminen (kuva D)

- ◆ Liu'uta pää (5) alustan suukappaleeseen (12).
- ◆ Poista pää vetämällä se irti alustasta.

Tarvikkeiden kiinnitys (kuva E)

Mukana tulevia tarvikkeita voidaan käyttää eri yhdistelminä tehtävän työn vaatimusten mukaan:

- Normaali imurointi / pölyttäminen (7 & 8)
- Ahtaissa tiloissa imuroiminen (7)

Kiinnitä tarvike seuraavasti:

- ◆ Poista tarvike alustasta.
- ◆ Aseta tarvitsemasi tarvike laitteen etuosaan.
- ◆ Kiinnitä tarvittaessa letkuja (6) tarvikkeen ja lisävarusteen välille lisätäkseen työstökorkeutta.

Käyttö

Varoitus! Varmista, että laite on pois päältä ennen kuin kytket sen virtalähteeseen.

Virran kytkeminen päälle/pois päältä

- ◆ Kytke kone päälle liu'uttamalla virtakytkintä (1) eteenpäin.
- ◆ Jos haluat sammuttaa koneen, liu'uta virtakytkintä taaksepäin.

Varoitus! Varmista, että tarvikkeet on liitetty oikein, ennen kuin kytket laitteen päälle. Pidä laitteesta kunnolla kiinni, kun kytket sen päälle käytön aikana.

Koneen käyttäminen

Konetta voidaan käyttää pitkän kädensijan kanssa pystyasennossa olevana imurina tai ilman kädensijaa rikkaimurina.

Pystyasennossa olevana imurina käyttäminen (kuvat F & G)

Pystyasennossa olevaa imuria käytetään kovien lattioiden, kokolattiamattojen ja mattojen imuroimiseen.

- ◆ Nosta kädensija (3).
- ◆ Kiinnitä koneeseen johtavan johdon pää johdon pidikkeeseen (13).
- ◆ Käynnistä kone.
- ◆ Jos kone lukitaan pystyasentoon imupäällä, pidä päätä paikallaan jalallasi ja vedä kahvasta, kunnes pää siirtyy sijoiltaan.

Harjarullaa (14) käytetään mattojen imuroimiseen.

- ◆ Käynnistä harjarulla painamalla nappia (15).
- ◆ Sammuta harjarulla painamalla nappia (15) uudelleen.

Rikkaimurina käyttäminen

Rikkaimuri on tarkoitettu käytettäväksi verhoilun ja ahtaiden tilojen imuroimiseen.

- ◆ Irrota rikkaimuri alustasta.
- ◆ Kiinnitä tarvittaessa tarvittava lisävaruste.
- ◆ Käynnistä kone.

Ylikuumenemissuoja

Laitteen moottorissa on ylikuumenemissuoja.

Ylikuumenemissuoja sammuttaa laitteen automaattisesti ylikuumenemistapauksissa. Jos näin käy, toimi seuraavasti:

- ◆ Sammuta laite ja irrota virtajohto pistorasiasta.
- ◆ Anna laitteen jäähtyä. Kun laite on jäähtynyt, tyhjennä pölynkeräysastia ja puhdista suodatin.
- ◆ Kytke virtajohto takaisin pistorasiaan ja kytke laite päälle.

Pölynkeräysastian tyhjennys (kuvat H & I)

Kun pölynkeräysastia on täynnä tai suodatin on tukkeutunut, pölynkeräysastia on vaihdettava. Tyhjennä pölynkeräysastia aina ulkona olevaan roskalaatikkoon.

FV750

- ◆ Irrota pölynkeräysastia (4) työntämällä painiketta (16) eteenpäin. Pidä painiketta etuasennossa ja irrota keräysastia koneesta.
- ◆ Ota suodatin (17) pölynkeräysastiasta.
- ◆ Tyhjennä pölynkeräysastia.
- ◆ Laita suodatin takaisin.
- ◆ Asenna pölynkeräysastia takaisin koneeseen. Varmista, että se napsahtaa kiinni paikalleen.

FV850

- ◆ Irrota pölynkeräysastia (4) työntämällä painiketta (16) eteenpäin. Pidä painiketta etuasennossa ja irrota keräysastia koneesta.
- ◆ Ota suodattimen pidike (18) pölynkeräysastiasta.
- ◆ Tyhjennä pölynkeräysastia.
- ◆ Avaa kansi (19) kuvan osoittamalla tavalla (kuva I).
- ◆ Vedä suodatin (17) ulos suodatinpidikkeestä (19).
- ◆ Laita suodatin takaisin.
- ◆ Aseta kansi takaisin paikalleen.
- ◆ Asenna pölynkeräysastia takaisin koneeseen. Varmista, että se napsahtaa kiinni paikalleen.

Puhdistaminen, huolto ja varastointi

Kone on suunniteltu toimimaan mahdollisimman pitkän aikaa mahdollisimman vähällä huollolla. Oikealla huollolla ja säännöllisellä puhdistuksella kone säilyttää suorituskykynsä.

- ◆ Puhdista suodatin usein, ettei kone ylikuumene.
- ◆ Puhdista työkalun ilma-aukot säännöllisesti pehmeällä harjalla.
- ◆ Puhdista työkalun kuori säännöllisesti kostealla siivousliinalla. Älä koskaan käytä puhdistamiseen liuotainaineita tai syövyttäviä puhdistusaineita.

Pölynkeräysastian ja suodattimen puhdistaminen (kuva H & I)

Suodatin voidaan käyttää uudelleen ja se on puhdistettava usein. Suodatin täytyy vaihtaa, kun se on kulunut tai vaurioitunut.

- ◆ Tyhjennä pölynkeräysastia yllä kuvatulla tavalla.
- ◆ Harjaa kaikki irtopöly pois suodattimesta (17).
- ◆ Pese suodatin ja pölynkeräysastia lämpimässä saippuvedessä.
- ◆ Varmista, että pölynkeräysastia ja suodatin ovat täysin kuivia.
- ◆ Laita suodatin takaisin.
- ◆ Asenna pölynkeräysastia takaisin koneeseen. Varmista, että se napsahtaa kiinni paikalleen.

FV850 - HEPA-suodattimen vaihtaminen (kuva I)

HEPA-suodatin pitää moottorikotelosta tulevan pölymäärän mahdollisimman pienenä. Suodatin tulee vaihtaa, jos se on kulunut tai vaurioitunut. Uusia suodattimia myyvät Black & Decker –tuotteiden jälleenmyyjät.

- ◆ Tyhjennä pölynkeräysastia yllä kuvatulla tavalla.
- ◆ Avaa kansi (19).
- ◆ Ota vanha suodatin (17) pois.
- ◆ Asenna uusi suodatin kuvan osoittamalla tavalla.
- ◆ Aseta kansi takaisin paikalleen.
- ◆ Asenna pölynkeräysastia takaisin koneeseen. Varmista, että se napsahtaa kiinni paikalleen.

Koneen varastointi (kuva J)

- ◆ Sijoita kone pystyasentoon.
- ◆ Taita kädensija (3).
- ◆ Aseta koukku (18) yläasentoon (A).
- ◆ Kierrä johto ylä- ja alakoukun ympärille.

Johdon vapauttaminen:

- ◆ Aseta koukku (18) ala-asentoon (B) nostaaksesi kädensijan.

Ympäristö

Erillinen keräys. Tätä tuotetta ei saa hävittää normaalin kotitalousjätteen kanssa.

Kun Black & Decker -koneesi on käytetty loppuun, älä hävitä sitä kotitalousjätteen mukana. Tämä tuote on kerättävä erikseen.



Käytettyjen tuotteiden ja pakkausten erillinen keräys mahdollistaa materiaalien kierrätyksen ja uudelleenkäytön. Kierrätettyjen materiaalien uudelleenkäyttö auttaa ehkäisemään ympäristön saastumisen ja vähentää raaka-aineiden kysyntää.

Paikallisten säännösten mukaisesti on mahdollista viedä kotitalouksien sähkölaitteet kuntien kaatopaikoille tai jättää ne vähittäismyyjälle ostettaessa uusi tuote.

Black & Decker tarjoaa mahdollisuuden Black & Decker –tuotteiden keräykseen ja kierrätykseen sen jälkeen, kun ne on poistettu käytöstä. Jotta voisit hyötyä tästä palvelusta, palauta laitteesi johonkin valtuutettuun huoltoliikkeeseen, joka kerää laitteet meidän puolestamme.

Voit tarkistaa lähimmän valtuutetun huoltoliikkeen sijainnin ottamalla yhteyden Black & Deckerin toimistoon, joka sijaitsee tässä käsikirjassa annettussa osoitteessa. Lista valtuutetuista Black & Decker -huoltoliikkeistä sekä yksityiskohtaiset tiedot korjauspalvelustamme ovat vaihtoehtoisesti saatavilla Internetissä, osoitteessa **www.2helpU.com**

Tekniset tiedot

		FV750	FV850
Jännite	V _{AC}	230	230
Ottoteho	W	750	850
Paino	kg	3,6	3,6

CE-vaatimustenmukaisuusvakuutus

FV750/FV850

Black & Decker vakuuttaa, että nämä työkalut ovat 89/336/EEC, 73/23/EEC, EN 50144, EN 55014 mukaiset.



Kevin Hewitt
Director of Consumer Engineering
Spennymoor, County Durham DL16 6JG,
United Kingdom
1-11-2004

Edellytyksenä takuun saamiselle on, että ostaja jättää koneen ja ostokuitin jälleenmyyjälle tai valtuutetulle huoltoliikkeelle viimeistään 2 kuukauden kuluessa vian ilmenemisestä. Tiedot valtuutetuista huoltoliikkeistä saa ottamalla yhteyttä Black & Decker Oy:hyn sekä internetistä osoitteesta www.2helpU.com, jossa on myös takuehdot.

Voit vierailla verkkosivullamme www.blackanddecker.fi rekisteröidäksesi uuden Black & Decker-tuotteesi ja saadaksesi tietoa uusista tuotteista ja erikoistarjouksista. Saat lisätietoja Black & Deckerin tavaramerkistä ja tuotevalikoimastamme osoitteesta www.blackanddecker.fi

Korjaukset / varaosat

Mikäli koneeseen tulee vikaa, jätä se aina Black & Deckerin valtuuttamaan huoltoliikkeeseen korjattavaksi (tiedot löytyvät uusimmasta tuoteluettelostamme tai ottamalla yhteyttä Black & Decker Oy:hyn). Varaosia myyvät valtuutetut Black & Deckerin huoltoliikkeet, ja heiltä voi myös pyytää kustannusarvion koneen korjauksesta.

Tiedot valtuutetuista huoltoliikkeistä löytyvät myös internetistä osoitteesta www.2helpU.com sekä kotisivuiltamme www.blackanddecker.fi

Takuu

Black & Decker Oy takaa, ettei koneessa ollut materiaali- ja/ tai valmistusvikaa silloin, kun se toimitettiin ostajalle. Takuu on lisäys kuluttajan laillisiin oikeuksiin eikä vaikuta niihin. Takuu on voimassa Euroopan Unionin jäsenmaissa ja Euroopan vapaakauppa-alueella (EFTA).

Mikäli Black & Decker -kone hajoaa materiaali- ja/ tai valmistusvirheen tai teknisten tietojen epätarkkuuden vuoksi 24 kk:n kuluessa ostopäivästä, Black & Decker korjaa koneen ilman kustannuksia ostajalle tai vaihtaa sen uuteen Black & Decker Oy:n valinnan mukaan.

Takuu ei kata vikoja, jotka johtuvat koneen

- ◆ normaalista kulumisesta
- ◆ ylikuormituksesta, virheellisestä käytöstä tai hoidosta
- ◆ vahingoittamisesta vieraalla esineellä tai aineella tai onnettomuustapauksessa.

Takuu ei ole voimassa, mikäli konetta on korjannut joku muu kuin Black & Deckerin valtuuttama huoltoliike.

Ενδεδειγμένη χρήση

Το δικό σας σκουπάκι Dustbuster® Stick Vac της Black & Decker έχει σχεδιαστεί για ελαφρές εργασίες ξηρού σκουπίσματος. Αυτό το προϊόν προορίζεται μόνο για οικιακή χρήση.

Οδηγίες ασφαλείας

- ◆ **Προειδοποίηση!** Όταν χρησιμοποιείτε ηλεκτρικά μηχανήματα, θα πρέπει να τηρείτε πάντα τις βασικές οδηγίες ασφαλείας, συμπεριλαμβανομένων και των παρακάτω, για να περιορίσετε τον κίνδυνο πυρκαγιάς, ηλεκτροπληξίας, σωματικών βλαβών και υλικών ζημιών.
- ◆ Πριν χρησιμοποιήσετε τη συσκευή, διαβάστε προσεκτικά ολόκληρο το εγχειρίδιο.
- ◆ Η ενδεδειγμένη χρήση περιγράφεται σε αυτό το εγχειρίδιο. Η χρήση οποιασδήποτε αξεσουάρ ή προσθήκης ή η απόδοση οποιασδήποτε λειτουργίας με αυτή τη συσκευή, εκτός αυτών που προτείνονται σε αυτό το εγχειρίδιο οδηγιών, εγκυμονεί κίνδυνο τραυματισμού.
- ◆ Φυλάξτε το εγχειρίδιο αυτό για να μπορείτε να ανατρέξετε σε αυτό στο μέλλον.

Χρήση της συσκευής σας

- ◆ Βεβαιωθείτε ότι η συσκευή είναι εκτός λειτουργίας πριν τη συνδέσετε ή την αποσυνδέσετε από την πρίζα.
- ◆ Προσέχετε πάντα όταν χρησιμοποιείτε τη συσκευή.
- ◆ Μη χρησιμοποιείτε τη συσκευή σε εξωτερικούς χώρους.
- ◆ Μην αφήνετε τη συσκευή χωρίς να την επιβλέπετε εφόσον είναι συνδεδεμένη στην πρίζα.
- ◆ Μην τραβήξετε ποτέ το καλώδιο ηλεκτρικού ρεύματος για να αποσυνδέσετε το φιν από την πρίζα. Διατηρείτε το καλώδιο τροφοδοσίας σε απόσταση από πηγές θερμότητας, λάδια και από αιχμηρά άκρα.
- ◆ Εάν το καλώδιο τροφοδοσίας καταστραφεί κατά τη χρήση, αποσυνδέστε τη συσκευή αμέσως από την πρίζα. Μην αγγίζετε το καλώδιο τροφοδοσίας πριν αποσυνδέσετε το φιν από την πρίζα.
- ◆ Να αποσυνδέετε τη συσκευή από την πρίζα όταν δεν χρησιμοποιείται, πριν τοποθετήσετε ή αφαιρέσετε εξαρτήματα και πριν την καθαρίσετε.

Ασφάλεια τρίτων

- ◆ Μην επιτρέπετε σε μικρά παιδιά ή σε άτομα που δεν έχουν διαβάσει το εγχειρίδιο οδηγιών να χρησιμοποιήσουν τη συσκευή.
- ◆ Μην επιτρέπετε σε παιδιά ή ζώα να πλησιάζουν στο χώρο εργασίας ή να αγγίζουν τη συσκευή ή το καλώδιο τροφοδοσίας της. Όταν χρησιμοποιείτε τη συσκευή κοντά σε παιδιά, πρέπει να τα επιτηρείτε στενά.

Μετά τη χρήση

- ◆ Πριν αφήσετε τη συσκευή χωρίς επιτήρηση και πριν αλλάξετε, καθαρίσετε ή ελέγξετε οποιαδήποτε εξαρτήματά της, πρέπει πρώτα να τη θέσετε εκτός λειτουργίας και να αποσυνδέσετε το φιν από την πρίζα.
- ◆ Όταν δεν χρησιμοποιείται, η συσκευή θα πρέπει να αποθηκεύεται σε ξηρό χώρο. Τα παιδιά δεν πρέπει να έχουν πρόσβαση στις αποθηκευμένες συσκευές.

Ελεγχος και επισκευές

- ◆ Πριν τη χρήση, ελέγξτε τη συσκευή για τυχόν φθαρμένα ή ελαττωματικά εξαρτήματα. Ελέγξτε για εξαρτήματα που πιθανόν να έχουν σπάσει, για διακόπτες που πιθανόν να έχουν πάθει ζημιά και γενικά κάθε είδους συνθήκες που θα μπορούσαν ενδεχομένως να επηρεάσουν τη λειτουργία της συσκευής.
- ◆ Μη χρησιμοποιείτε τη συσκευή εάν κάποιο εξάρτημά της έχει πάθει ζημιά ή παρουσιάζει ελάττωμα.
- ◆ Ζητήστε από εξουσιοδοτημένο συνεργείο σέρβις την επισκευή ή την αντικατάσταση όλων των φθαρμένων ή ελαττωματικών εξαρτημάτων.
- ◆ Πριν από τη χρήση, ελέγξτε προσεκτικά το καλώδιο τροφοδοσίας για σημάδια ζημιάς, παλαιώσης και φθοράς.
- ◆ Μη χρησιμοποιείτε τη συσκευή αν το καλώδιο τροφοδοσίας της ή το φιν έχει πάθει ζημιά ή παρουσιάζει ελάττωμα.
- ◆ Εάν το καλώδιο τροφοδοσίας ή το φιν είναι κατεστραμμένο ή ελαττωματικό, πρέπει να επισκευαστεί από εξουσιοδοτημένο συνεργείο σέρβις ώστε να μην προκύψει κίνδυνος. Μην κόβετε το καλώδιο τροφοδοσίας και μην προσπαθείτε να το επισκευάσετε μόνοι σας.
- ◆ Μην επιχειρήσετε ποτέ να αφαιρέσετε ή να αντικαταστήσετε εξαρτήματα εκτός αυτών που προσδιορίζονται σε αυτό το εγχειρίδιο.

Διπλή μόνωση



Αυτή η συσκευή φέρει διπλή μόνωση, επομένως δεν απαιτείται καλώδιο γείωσης. Ελέγχετε πάντοτε αν η τάση τροφοδοσίας αντιστοιχεί σε αυτήν που αναγράφεται στην πινακίδα στοιχείων του εργαλείου.

Συμπληρωματικές οδηγίες ασφαλείας για ηλεκτρικές σκούπες

- ◆ Μη χρησιμοποιείτε τη συσκευή για τη συλλογή ζεστών αντικείμενων
- ◆ Μη χρησιμοποιείτε τη συσκευή για τη συλλογή υγρών.
- ◆ Μη χρησιμοποιείτε τη συσκευή για τη συλλογή υλικών τα οποία υπάρχει κίνδυνος να αναφλεγούν.
- ◆ Μη χρησιμοποιείτε τη συσκευή κοντά σε νερό.
- ◆ Μη βυθίζετε τη συσκευή στο νερό ή σε άλλο υγρό.
- ◆ Φροντίστε ώστε το ρεύμα αναρρόφησης του μοτέρ να είναι μακριά από τα μάτια και το πρόσωπό σας.
- ◆ Κρατάτε τα μαλλιά, τα ενδύματα και τα γάντια σας μακριά από τα κινούμενα εξαρτήματα.

- ◆ Προσέξτε όταν χρησιμοποιείτε τη συσκευή σε σκαλοπάτια κοντά σε παιδιά.
- ◆ Πάντα δουλέψτε από κάτω προς τα επάνω όταν χρησιμοποιείτε τη συσκευή σε σκαλοπάτια.
- ◆ Απλώστε πάντα το καλώδιο προσεκτικά για να μην σκοντάψτε.
- ◆ Φροντίστε τα παιδιά και τα ζώα να βρίσκονται σε απόσταση ασφαλείας όταν χρησιμοποιείτε τη συσκευή αυτή.
- ◆ Μη χρησιμοποιείτε τη συσκευή για να καθαρίσετε άλλες ηλεκτρικές συσκευές ενώ είναι συνδεδεμένες στην πρίζα.
- ◆ Μη χρησιμοποιήσετε τη συσκευή για τη συλλογή αιχμηρών αντικειμένων που θα μπορούσαν να προκαλέσουν ζημιά στο φίλτρο ή σε άλλα εξαρτήματα.
- ◆ Μη χρησιμοποιείτε τη συσκευή αν δεν έχετε τοποθετήσει τον κάδο αποθήκευσης σκόνης ή τα φίλτρα.

Χαρακτηριστικά

1. Διακόπτης on/off
2. Κουμπί απελευθέρωσης
3. Λαβή
4. Κάδος αποθήκευσης σκόνης
5. Πέλμα αναρρόφησης

Εικ. Α

6. Σωλήνες προέκτασης
7. Εργαλείο καθαρισμού σχισμών
8. Βούρτσα

Συναρμολόγηση

Προειδοποίηση! Βεβαιωθείτε ότι η συσκευή είναι εκτός λειτουργίας και αποσυνδεδεμένη από την πρίζα.

Υπερύψωση και αναδίπλωση της χειρολαβής (εικ. Β)

Υπερύψωση

- ◆ Πατήστε το κουμπί απελευθέρωσης (9).
- ◆ Υπερυψώστε τη χειρολαβή μέχρι να κλειδώσει σε θέση.

Αναδίπλωση

- ◆ Πατήστε το κουμπί απελευθέρωσης (9).
- ◆ Κατεβάστε τη χειρολαβή μέχρι να κλειδώσει σε θέση.

Τοποθέτηση και αφαίρεση της ηλεκτρικής σκούπας χειρός (εικ. C)

Τοποθέτηση

- ◆ Τοποθετήστε το μπροστινό μέρος (10) της συσκευής στο χαμηλότερο μέρος της βάσης.
- ◆ Σπρώξτε το πίσω μέρος της συσκευής κάτω στη βάση (12) μέχρι να ακουστεί το κλικ.

Αφαίρεση

- ◆ Κράτιστε τη συσκευή από τη χειρολαβή.
- ◆ Κρατήστε πατημένο το πλήκτρο απελευθέρωσης (2).
- ◆ Τραβήξτε το πίσω τμήμα της συσκευής.
- ◆ Ανασηκώστε τη συσκευή από τη βάση.

Τοποθέτηση του πέλματος αναρρόφησης (εικ. D)

- ◆ Σύρετε το πέλμα (5) στο στόμιο της βάσης (12).
- ◆ Για να αφαιρέσετε το πέλμα, τραβήξτε το από τη βάση.

Τοποθέτηση των αξεσουάρ (εικ. E)

Τα αξεσουάρ που παρέχονται μπορούν να χρησιμοποιηθούν σε διάφορους συνδυασμούς, ανάλογα με την εργασία:

- Γενικό σκούπισμα / Ξεσκόνισμα (7 & 8)
- Σκούπισμα σε περιορισμένους χώρους (7)

Για να τοποθετήσετε κάποιο εξάρτημα, ακολουθήστε τα παρακάτω βήματα :

- ◆ Αφαιρέστε τη συσκευή από τη βάση.
- ◆ Τοποθετήστε το κατάλληλο αξεσουάρ στο μπροστινό μέρος της συσκευής.
- ◆ Αν είναι απαραίτητο, τοποθετήστε τον απαιτούμενο αριθμό σωλήνων (6) μεταξύ της συσκευής και του αξεσουάρ για να παρατείνετε το βάρος λειτουργίας.

Χρήση

Προειδοποίηση! Πριν συνδέσετε τη συσκευή στην πρίζα, βεβαιωθείτε ότι είναι εκτός λειτουργίας.

Εναρξη και παύση της λειτουργίας

- ◆ Για να θέσετε σε λειτουργία τη συσκευή, σύρετε εμπρός το διακόπτη on/off (1).
- ◆ Για να σβήσετε τη συσκευή, σύρετε πίσω το διακόπτη on/off.

Προειδοποίηση! Βεβαιωθείτε ότι τα αξεσουάρ έχουν τοποθετηθεί σωστά πριν θέσετε τη συσκευή σε λειτουργία. Κατά τη θέση σε λειτουργία και κατά τη χρήση, να κρατάτε γερά τη συσκευή.

Λειτουργία της συσκευής.

Η συσκευή μπορεί να χρησιμοποιηθεί είτε με τη μεγάλη λαβή κρατώντας την από την όρθια θέση, είτε χωρίς τη μεγάλη λαβή, ως φορητή ηλεκτρική σκούπα.

Χρήση από την όρθια θέση (εικ. F & G)

Η χρήση από την όρθια θέση είναι χρήσιμη για καθάρισμα σκληρών δάπεδων, χαλιών και μοκετών.

- ◆ Σηκώστε τη χειρολαβή (3)
- ◆ Στερεώστε το άκρος του καλωδίου που οδηγεί στη συσκευή στο σύστημα συγκράτησης καλωδίου (13).
- ◆ Θέστε τη συσκευή σε λειτουργία

- ◆ Αν η συσκευή είναι ασφαλισμένη στη όρθια θέση από το πέλμα αναρρόφησης, κράτιστε το πέλμα σε θέση με το πόδι σας και τραβήξτε τη χειρολαβή ώσπου να βγει το πέλμα.

Η κυλινδρική βούρτσα (14) χρησιμοποιείται στον καθαρισμό χαλιών και μοκετών.

- ◆ Για να βάλτε εμπρός τη κυλινδρική βούρτσα, πατήστε το πλήκτρο (15).
- ◆ Για να σβήσετε τη κυλινδρική βούρτσα, πατήστε ξανά το πλήκτρο (15).

Χρήση ως φορητή ηλεκτρική σκούπα

Η ηλεκτρική φορητή σκούπα είναι χρήσιμη για ταπετσαρίες και δυσπρόσιτα σημεία

- ◆ Αφαιρέστε τη φορητή ηλεκτρική σκούπα από τη βάση.
- ◆ Αν χρειάζεται, τοποθετήστε τον απαιτούμενο αξεσουάρ.
- ◆ Θέστε τη συσκευή σε λειτουργία

Θερμική ασφάλεια

Το μοτέρ της συσκευής διαθέτει θερμική ασφάλεια. Αυτή η διάταξη θέτει αυτόματα τη συσκευή εκτός λειτουργίας σε περίπτωση υπερθέρμανσης. Αν συμβεί αυτό, ακολουθήστε τα παρακάτω βήματα:

- ◆ Θέστε τη συσκευή εκτός λειτουργίας και αποσυνδέστε το βύσμα από την πρίζα.
- ◆ Αφήστε τη μονάδα να κρυώσει. Όταν η μονάδα έχει κρυώσει, αδειάστε τον κάδο αποθήκευσης σκόνης και καθαρίστε το φίλτρο.
- ◆ Ξανασυνδέστε το βύσμα στην πρίζα και θέστε τη συσκευή σε λειτουργία.

Αδειασμα του κάδου αποθήκευσης σκόνης (εικ. H & I)

Όταν ο κάδος αποθήκευσης σκόνης είναι γέματος ή όταν το φίλτρο έχει φραχτεί, πρέπει να αδειάστε τον κάδο. Αδειάστε πάντα το κάδο αποθήκευσης σκόνης σε εξωτερικό κάδο απορριμμάτων.

FV750

- ◆ Ελευθερώστε τον κάδο (4) πατώντας μπροστά το πλήκτρο (16). Κρατώντας το πλήκτρο στη μπροστινή θέση αφαιρέστε τον κάδο από τη συσκευή.
- ◆ Αφαιρέστε φίλτρο (17) από τον κάδο αποθήκευσης σκόνης.
- ◆ Αδειάστε τον κάδο αποθήκευσης σκόνης.
- ◆ Επανατοποθετήστε το φίλτρο.
- ◆ Επανατοποθετήστε τον κάδο αποθήκευσης σκόνης στη συσκευή. Βεβαιωθείτε ότι ο κάδος αποθήκευσης σκόνης έχει ασφαλίσει καλά στη θέση του.

FV850

- ◆ Ελευθερώστε τον κάδο (4) πατώντας μπροστά το πλήκτρο (16). Κρατώντας το πλήκτρο στη μπροστινή θέση αφαιρέστε τον κάδο από τη συσκευή.
- ◆ Αφαιρέστε τη βάση του φίλτρου (18) από τον κάδο αποθήκευσης σκόνης.
- ◆ Αδειάστε τον κάδο αποθήκευσης σκόνης.
- ◆ Ανοίξτε το κάλυμμα (19) όπως φαίνεται στην εικόνα (εικ. I).
- ◆ Βγάλτε το φίλτρο (17) από τη θήκη του φίλτρου (19).
- ◆ Επανατοποθετήστε το φίλτρο.
- ◆ Επανατοποθετήστε το κάλυμμα
- ◆ Επανατοποθετήστε τον κάδο αποθήκευσης σκόνης στη συσκευή. Βεβαιωθείτε ότι ο κάδος αποθήκευσης σκόνης έχει ασφαλίσει καλά στη θέση του.

Καθαρισμός, συντήρηση και αποθήκευση

Αυτό το εργαλείο έχει σχεδιαστεί έτσι ώστε να λειτουργεί για μεγάλο χρονικό διάστημα με την ελάχιστη δυνατή συντήρηση. Η αδιάλειπτη και κανονική λειτουργία του εργαλείου εξαρτάται από τη φροντίδα και τον τακτικό καθαρισμό.

- ◆ Καθαρίστε τακτικά το φίλτρο για να αποφύγετε την υπερθέρμανση.
- ◆ Να καθαρίζετε τακτικά τις εγχοπές εξαιρισμού του εργαλείου σας χρησιμοποιώντας μαλακή βούρτσα.
- ◆ ~~Να καθαρίζετε τακτικά τον κάδο αποθήκευσης σκόνης χρησιμοποιώντας μαλακή βούρτσα.~~
- ◆ ~~Να καθαρίζετε τακτικά τον κάδο αποθήκευσης σκόνης χρησιμοποιώντας μαλακή βούρτσα.~~

~~Να καθαρίζετε τακτικά τον κάδο αποθήκευσης σκόνης χρησιμοποιώντας μαλακή βούρτσα.~~

Καθαρισμός του κάδου αποθήκευσης σκόνης και φίλτρου (εικ. H & I)

Το φίλτρο επαναχρησιμοποιείται και θα πρέπει να καθαρίζεται τακτικά. Πρέπει να αντικατασταθεί όταν φθαρεί η υποστεί ζημιά.

- ◆ Αδειάστε τον κάδο αποθήκευσης σκόνης όπως περιγράφετε παραπάνω.
- ◆ Σκουπίστε τυχόν σκόνες από το φίλτρο (17).
- ◆ Πλύνετε το φίλτρο και τον κάδο σε χλιαρή σαπουνάδα.
- ◆ Βεβαιωθείτε ότι ο κάδος αποθήκευσης σκόνης και το φίλτρο είναι εντελώς στεγνά.
- ◆ Επανατοποθετήστε το φίλτρο.
- ◆ Επανατοποθετήστε τον κάδο αποθήκευσης σκόνης στη συσκευή. Βεβαιωθείτε ότι ο κάδος αποθήκευσης σκόνης έχει ασφαλίσει καλά στη θέση του.

FV850 - Αντικατάσταση του φίλτρου HEPA (εικ. I)

Το φίλτρο HEPA ελαχιστοποιεί την ποσότητα της σκόνης που βγαίνει από το περίβλημα του μοτέρ. Το φίλτρο πρέπει να αντικαθίστανται όποτε φθαρούν ή καταστραφούν. Το δικό σας εξουσιοδοτημένο κατάστημα Black & Decker διαθέτει ανταλλακτικά φίλτρα.

- ◆ Αδειάστε τον κάδο αποθήκευσης σκόνης όπως περιγράφεται παραπάνω.

- ◆ Ανοίξτε το κάλυμμα (19).
- ◆ Αφαιρέστε τα παλιό φίλτρο (17).
- ◆ Τοποθετήστε τα καινούρια φίλτρο όπως φαίνεται στην εικόνα.
- ◆ Επανατοποθετήστε το κάλυμμα.
- ◆ Επανατοποθετήστε τον κάδο αποθήκευσης σκόνης στη συσκευή. Βεβαιωθείτε ότι ο κάδος αποθήκευσης σκόνης έχει ασφαλίσει καλά στη θέση του.

Αποθήκευση της συσκευής (εικ. J)

- ◆ Τοποθετήστε τη συσκευή σε όρθια θέση.
- ◆ Αναδιπλώστε τη χειρολαβή (3)
- ◆ Τοποθετήστε το άγκιστρο (18) στην πάνω θέση (Α).
- ◆ Τυλίξτε το καλώδιο γύρω άπω το πάνω και κάτω άγκιστρο.

Για να χαλαρώσετε το καλώδιο:

- ◆ Θέστε το άγκιστρο (18) στην κάτω θέση (Β) η σηκώστε τη χειρολαβή.

Διάθεση εργαλείων και περιβάλλον



Ξεχωριστή συλλογή. Αυτό το προϊόν δεν πρέπει να απορριφθεί με συνηθισμένα σπιτικά απορρίμματα.

Εάν κάποια μέρα διαπιστώσετε ότι το προϊόν σας Black & Decker χρειάζεται αντικατάσταση ή δεν σας χρησιμεύει πλέον, μην το απορρίψετε με τα σπιτικά απορρίμματα. Κάντε αυτό το προϊόν διαθέσιμο για ξεχωριστή συλλογή.



Η ξεχωριστή συλλογή χρησιμοποιημένων προϊόντων και συσκευασιών επιτρέπει την ανακύκλωση υλικών. Η επανάχρηση ανακυκλωμένων υλικών βοηθάει την προστασία του περιβάλλον και μειώνει την ζήτηση για σπάνια υλικά.

Οι τοπικοί κανονισμοί μπορεί να παρέχουν ξεχωριστή συλλογή ηλεκτρικών προϊόντων από κατοικίες, δημοτικές τοποθεσίες απορριμμάτων ή από τον έμπορα όταν αγοράσατε το καινούργιο προϊόν.

Η Black & Decker δίνει τη δυνατότητα συλλογής και ανακύκλωσης των προϊόντων της που έχουν συμπληρώσει τη διάρκεια ζωής τους. Αν θέλετε να χρησιμοποιήσετε την εν λόγω υπηρεσία, επιστρέψτε το προϊόν σας σε οποιοδήποτε εξουσιοδοτημένο κέντρο επισκευών, όπου θα το παραλάβουν εκ μέρους σας.

Ενημερωθείτε για το πλησιέστερο κέντρο επισκευών της περιοχής σας, επικοινωνώντας με τα γραφεία της Black & Decker στη διεύθυνση που αναγράφεται στο εγχειρίδιο.

Επίσης, για να πληροφορηθείτε τα εξουσιοδοτημένα κέντρα επισκευών της Black & Decker και τις λεπτομέρειες και τους αρμόδιους των υπηρεσιών που παρέχονται μετά την πώληση, μπορείτε ανατρέξετε στο Διαδίκτυο στη διεύθυνση:

www.2helpU.com

Τεχνικά χαρακτηριστικά

	FV750	FV850
Τάση	V _{AC} 230	230
Ισχύς εισόδου	W 750	850
Βάρος	kg 3,6	3,6

Δήλωση συμμόρφωσης EK

FV750/FV850

Black & Decker δηλώνει ότι αυτά τα ηλεκτρικά εργαλεία σχεδιάστηκαν σύμφωνα με:

89/336/ΕΟΚ, 73/23/ΕΟΚ, EN 50144, EN 55014

Kevin Hewitt

Διευθυντής μηχανολογίας
Spennymoor, County Durham DL16 6JG,

United Kingdom

1-11-2004

Εγγύηση

Η Black & Decker είναι σίγουρη για την ποιότητα των προϊόντων της και παρέχει σημαντική εγγύηση. Η παρούσα γραπτή εγγύηση αποτελεί πρόσθετο δικαίωμά σας και δεν ζημιώνει τα συνταγματικά σας δικαιώματα. Η εγγύηση ισχύει εντός της επικράτειας των Κρατών Μελών της Ευρωπαϊκής Ένωσης και της Ευρωπαϊκής Ζώνης Ελευθέρων Συναλλαγών.

Σε περίπτωση που κάποιο προϊόν της Black & Decker παρουσιάσει βλάβη εξαιτίας ελαττωματικών υλικών, ποιότητας εργασίας ή έλλειψης συμφωνίας με τις προδιαγραφές εντός 24 μηνών από την ημερομηνία αγοράς, η Black & Decker εγγυάται την αντικατάσταση των ελαττωματικών τμημάτων, την επισκευή προϊόντων που έχουν υποστεί εύλογη φθορά λόγω χρήσης ή την αντικατάσταση των προϊόντων προκειμένου να εξασφαλίσει την ελάχιστη ενόχληση στους πελάτες της, εκτός αν:

- ◆ Το προϊόν έχει χρησιμοποιηθεί σε εργασιακό, επαγγελματικό περιβάλλον ή αν έχει ενοικιαστεί
- ◆ Έχει γίνει εσφαλμένη χρήση του προϊόντος ή αν έχει παραμεληθεί
- ◆ Το προϊόν έχει υποστεί βλάβη από άλλα αντικείμενα, από ουσίες ή λόγω ατυχήματος
- ◆ Έχει γίνει προσπάθεια επισκευής από μη εξουσιοδοτημένα κέντρα επισκευών ή από προσωπικό που δεν ανήκει στο προσωπικό της Black & Decker

Για να ισχύσει η εγγύηση, πρέπει να υποβάλετε απόδειξη αγοράς στον πωλητή ή το εξουσιοδοτημένο κέντρο επισκευών. Ενημερωθείτε για το πλησιέστερο κέντρο επισκευών της περιοχής σας, επικοινωνώντας με τα γραφεία της Black & Decker στη διεύθυνση που αναγράφεται στο εγχειρίδιο. Επίσης, για να πληροφορηθείτε για τα εξουσιοδοτημένα κέντρα επισκευών της Black & Decker, τις λεπτομέρειες και τους αρμόδιους των υπηρεσιών που παρέχονται μετά την πώληση, μπορείτε να ανατρέξετε στο Διαδίκτυο στη διεύθυνση: **www.2helpU.com**

Παρακαλούμε να επισκεφτείτε την ιστοσελίδα μας **www.blackanddecker.com** για να καταχωρήσετε το νέο σας προϊόν Black & Decker και για να ενημερώνεστε για τα νέα προϊόντα και τις ειδικές προσφορές. Περισσότερες πληροφορίες σχετικά με τη μάρκα Black & Decker και τη σειρά προϊόντων μας θα βρείτε στη διεύθυνση **www.blackanddecker.com**

Australia	Black & Decker (Australia) Pty. Ltd. 20 Fletcher Road, Mooroolbark, Victoria, 3138	Tel. 03-8720 5100 Fax 03-9727 5940
België/Belgique	Black & Decker (Belgium) N.V. Campus Noord, Schaliënhoevedreef 20E 2800 Mechelen	Tel. 015 - 47 92 11 Fax 015 - 47 92 10
Danmark	Black & Decker Sluseholmen 2-4, 2450 København SV Internet: www.blackanddecker.dk	Tel. 70 20 15 30 Fax 36 94 49 01
Deutschland	Black & Decker GmbH Black & Decker Str. 40, D - 65510 Idstein	Tel. 06126/21 - 0 Fax 06126/21 29 80
Ελλάδα	Black & Decker (Ελλάς) Α.Ε. Στράβωνος 7 & Λεωφ. Βουλιαγμένης 159 166 74 Γλυφάδα - Αθήνα	Τηλ. 210 8981616 Τηλ. 210 8982630 Φαξ Service 210 8983285
España	Black & Decker Ibérica, S.C.A. Parque de Negocios "Mas Blau" Edificio Muntadas, c/Bergadá, 1, Of. A6 08820 El Prat de Llobregat (Barcelona)	Tel. 934 797 400 Fax 934 797 419
France	Black & Decker (France) S.A.S. B.P. 21, 69571 Dardilly Cédex	Tel. 04 72 20 39 20 Fax 04 72 20 39 00
Helvetia	ROFO AG Gewerbezone Seeblick 3213 Kleinbödingen	Tel. 026-6749391 Fax 026-6749394
Italia	Black & Decker Italia SpA Viale Elvezia 2 20052 Monza (MI)	Tel. 039-23871 Fax 039-2387592/2387594 Numero verde 800-213935
Nederland	Black & Decker Benelux Joulehof 12, 4622 RG Bergen op Zoom	Tel. 0164 - 283000 Fax 0164 - 283100
New Zealand	Black & Decker 81 Hugo Johnston Drive Penrose, Auckland, New Zealand	Tel. 09 579 7600 Fax 09 579 8200
Norge	Black & Decker (Norge) A/S Postboks 4814, Nydalen, 0422 Oslo Internet: www.blackanddecker.no	Tlf. 22 90 99 00 Fax 22 90 99 01
Österreich	Black & Decker Vertriebsges.m.b.H Erlaaerstraße 165, 1231 Wien	Tel. 01 66116-0 Fax 01 66116-14
Portugal	Black & Decker Rua Egas Moniz 173 S. João do Estoril 2766-651 Estoril	Tel. 214667500 Fax 214667575
Suomi	Black & Decker Oy Keilasatama 3, 02150 Espoo Black & Decker Oy, Kägelhamnen 3, 02150 Esbo	Puh.: 010 400 430 Faksi: (09) 2510 7100 Tel: 010 400 430 Fax: (09) 2510 7100
Sverige	Black & Decker AB Fabriksg. 7, 412 50 Göteborg	Tel: 031-68 60 60 Fax: 031-68 60 80
Türkiye	İntratek Mühendislik ve Dış Tic. A.Ş. Ortaklar Cad. No:19/2 80290 Mecidiyeköy / İstanbul	Tel. 0212 211 22 10 Faks 0212 266 33 03
United Kingdom	Black & Decker 210 Bath Road Slough, Berkshire SL1 3YD	Tel. 01753 511234 Fax 01753 551155 Helpline 01753 574277
Middle East & Africa	Black & Decker (Overseas) A.G. PB 5420, Dubai, United Arab Emirates	Tel. +971 4 2826464 Fax +971 4 2826466

Dealer address
Händleradresse
Cachet du revendeur
Indirizzo del rivenditore
Adres van de dealer
Dirección del detallista
Morada do revendedor
Återförsäljarens adress
Forhandlerens adresse
Forhandler adresse
Jälleenmyyjän osoite
Διεύθυνση αντιπροσώπου

Date of purchase
Kaufdatum
Date d'achat
Data d'acquisto
Aankoopdatum
Fecha de compra
Data de compra
Inköpsdatum
Innkjøpsdato
Indkøbsdato
Ostopäivä
Ημερομηνία αγοράς

◆ Name ◆ Name ◆ Nom ◆ Nome
◆ Naam ◆ Nombre ◆ Nome ◆ Namn
◆ Navn ◆ Navn ◆ Nimi ◆ Onoma:
.....
◆ Address ◆ Adresse ◆ Adresse ◆ Indirizzo ◆
Adres ◆ Dirección ◆ Morada ◆ Address ◆
Adresse ◆ Adresse ◆ Osoite ◆ Διεύθυνση:
.....
.....
◆ Town ◆ Ort ◆ Ville ◆ Città ◆ Plaats
◆ Ciudad ◆ Localidade ◆ Ort ◆ By ◆ By
◆ Paikkakunta ◆ Πόλη:
.....
.....
◆ Postal code ◆ Postleitzahl ◆ Code postal ◆
Codice postale ◆ Postcode
◆ Código ◆ Código postal ◆ Postnr.
◆ Postnr. ◆ Postnr. ◆ Postnummero
◆ Κωδικός
.....

◆ Is this tool a gift? ◆ Ist dieses Gerät ein Geschenk? ◆ S'agit-il d'un cadeau? ◆ Si tratta di un regalo? ◆ Kreeg u de machine als cadeau? ◆ ¿Ha recibido usted esta herramienta como regalo? ◆ Recebeu esta ferramenta como presente? ◆ Är verktyget en gåva? ◆ Er verkøyet en gave? ◆ Onko kone lahja? ◆ Το εργαλείο είναι δώρο? Yes ◆ Ja ◆ Oui ◆ Si ◆ Ja ◆ Sì ◆ Sim ◆ Ja ◆ Ja ◆ Ja ◆ Kyllä ◆ Nai ◆ No ◆ Nein ◆ Non ◆ No ◆ No ◆ Nee ◆ No ◆ Não ◆ Nej ◆ Nei ◆ Nej ◆ Ei ◆ Oxi

◆ Is this tool your first purchase? ◆ Ist dieses Gerät ein Erstkauf? ◆ Est-ce un 1er achat? ◆ Questo prodotto è il suo primo acquisto? ◆ Is deze machine uw eerste aankoop? ◆ ¿Es esta herramienta la primera de este tipo? ◆ Esta ferramenta é a sua primeira compra? ◆ Är detta ditt första B&D-verktyg? ◆ Er dette ditt første B&D-verktoy? ◆ Onko tämä ensimmäinen B&D-

koneesi? ◆ Είναι το εργαλείο αυτό η πρώτη σας αγορά?

Yes ◆ Ja ◆ Oui ◆ Si ◆ Ja ◆ Sì ◆ Sim ◆ Ja ◆ Ja ◆ Ja ◆ Kyllä ◆ Nai ◆ No ◆ Nein ◆ Non ◆ No ◆ No ◆ Nee ◆ No ◆ Não ◆ Nej ◆ Nei ◆ Nej ◆ Ei ◆ Oxi

◆ Dealer address ◆ Händleradresse
◆ Cachet du revendeur ◆ Indirizzo del rivenditore ◆ Adres van de dealer
◆ Dirección del detallista ◆ Morada do revendedor ◆ Återförsäljarens adress
◆ Forhandlerens adresse ◆ Forhandler adresse
◆ Jälleenmyyjän osoite
◆ Διεύθυνση αντιπροσώπου
.....
.....

Cat. no.:



◆ Data protection act: Tick the box if you prefer not to receive further information. ◆ Bitte ankreuzen, falls Sie keine weiteren Informationen erhalten möchten. ◆ Si vous ne souhaitez pas recevoir d'informations, cochez cette case. ◆ Barrate la casella se non desiderate ricevere informazioni. ◆ A.u.b. dit vakje aankruisen indien u geen informatie wenst te ontvangen. ◆ Señale en la casilla sino quiere recibir información. ◆ Por favor, assinala com uma cruz se não desejar receber informação. ◆ Vänligen kryssa för i rutan om Ni inte vill ha information. ◆ Vennligst kryss av dersom du ikke ønsker informasjon. ◆ Venligst sæt kryds i ruden såfremt De ikke måtte ønske at modtage information.

◆ Merkitkää rasti ruutuun, mikäli ette halua vastaanottaa informaatiota. ◆ Παρακαλείστε να σημειώσετε εάν δεν θέλετε να πάρετε πληροφορίες.

- ◆ GUARANTEE CARD
- ◆ GARANTIEKAART
- ◆ GARANTI KORT
- ◆ GARANTIEKARTE
- ◆ TARJETA DE GARANTÍA
- ◆ GARANTI KORT
- ◆ CARTE DE GARANTIE
- ◆ CARTÃO DE GARANTIA
- ◆ TAKUKORTTI
- ◆ TAGLIANDO DI GARANZIA
- ◆ GARANTIBEVIS
- ◆ ΚΑΡΤΑ ΕΓΓΥΗΣΗΣ



English

Please complete this section immediately after the purchase of your tool and send it to Black & Decker in your country. If you live in Australia or New Zealand, please register by using the alternative guarantee card supplied.

Deutsch

Bitte schneiden Sie diesen Abschnitt ab, stecken ihn in einen frankierten Umschlag und schicken ihn an die Black & Decker Adresse Ihres Landes.

Français

Découpez cette partie et envoyez-la sous enveloppe timbrée à l'adresse de Black & Decker dans votre pays, ceci immédiatement après votre achat.

Italiano

Per favore ritagliate questa parte, inseritela in una busta con francobollo e spedite la subito dopo l'acquisto del prodotto all'indirizzo della Black & Decker nella vostra nazione.

Nederlands

Knip dit gedeelte uit en zend het direct na aankoop in een gefrankeerde, geaddresseerde envelop naar het adres van Black & Decker in uw land.

Español

Después de haber comprado su herramienta envíe usted, por favor, esta tarjeta a la central de Black & Decker en su país.

Português

Por favor, recorte esta parte, coloque-a num envelope selado e endereçado e envie-o logo após a compra do seu produto para o endereço da Black & Decker do seu país.

Svenska

Var vänlig klipp ur denna del och sänd den i ett frankerat kuvert till Black & Deckers adress i Ditt land.

Norsk

Vennligst klipp ut denne delen umiddelbart etter du har pakket ut ditt produkt og legg det i en adressert konvolutt til Black & Decker (Norge) A/S.

Dansk

Venligst klip denne del ud og send frankeret til Black & Decker i dit land.

Suomi

Leikkaa irti tämä osa, laita se kuoreen ja postita kuori paikalliseen Black & Decker osoitteeseen.

Ελληνικά

Παράκαλώ κόψτε αυτό το κομμάτι και ταχυδρομήσατε το αμέσως μετά την αγορά του προϊόντος σας στην Δευτέρα της Black & Decker στην Ελλάδα.