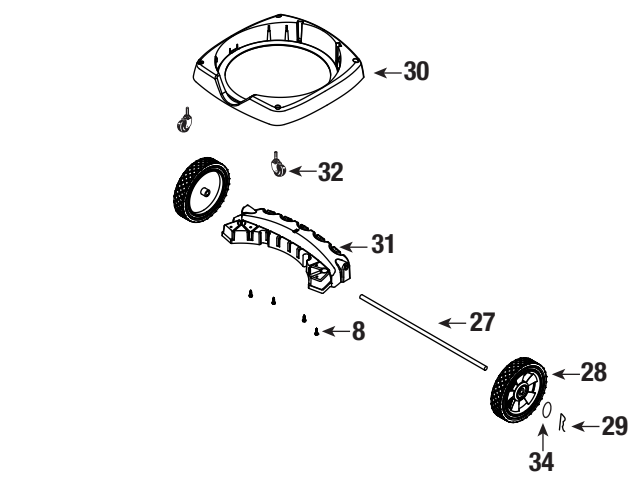
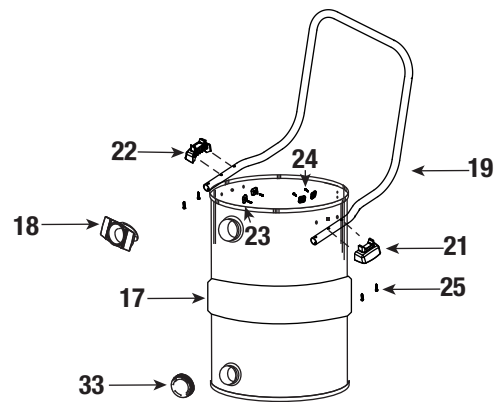
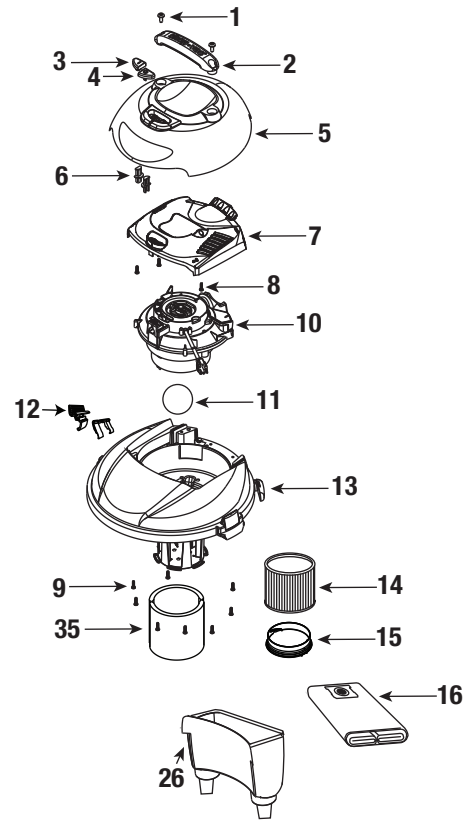


shop-vac®



ITEM	DESCRIPTION	PART NO.
1	Screw 1/4 x 1 1/2" Trilobe Ph Pan	1517499
2	Handle	1944475
3	Switch Button - (I)	7414200
4	Switch Button - (O)	7414210
5	Outer Motor Cover Assembly	1944531
6	Switch Button Extension	7414250
7	Inner Motor Cover Assembly	3741054
8	#10 x 3/4 Screw Hex Head	1503999
9	Screw 10 x 3/4" Trilobe, Twin Lead	1517699
10	Power Unit Assembly	8141697
11	Float	0081120
12	Lid Latch	1945462
13	Lid Cage & Latch Assembly	1945578
14	Cartridge Filter	90350
15	Filter Retainer	3008000
16	HE Filter Bag	90672
17	Tank Assembly	5122297
18	Inlet Deflector	7413120
19	Carriage Handle	2080410
20	Handle and Hardware Pkg (Include 21-25)	9355696
21	Side Tank Handle-Left	9355610
22	Side Tank Handle-Right	9355600
23	Handle Support	9355800
24	Screw #10 x 1 Hex Head	1509699
25	Screw 1/4 x 1 1/2 Hex Head	1511899
26	Accessory Basket	7442902
27	Axle	2442997
28	8" Wheel	2425010
29	Hair Pin Clip	7000599
30	Dolly	9381850
31	Tool Rack	9382700
32	Caster	6771200
33	Drain Cap	7446800
34	Flat Washer	0701599
35	Foam Sleeve	90585

*Replacement parts may differ from original equipment.