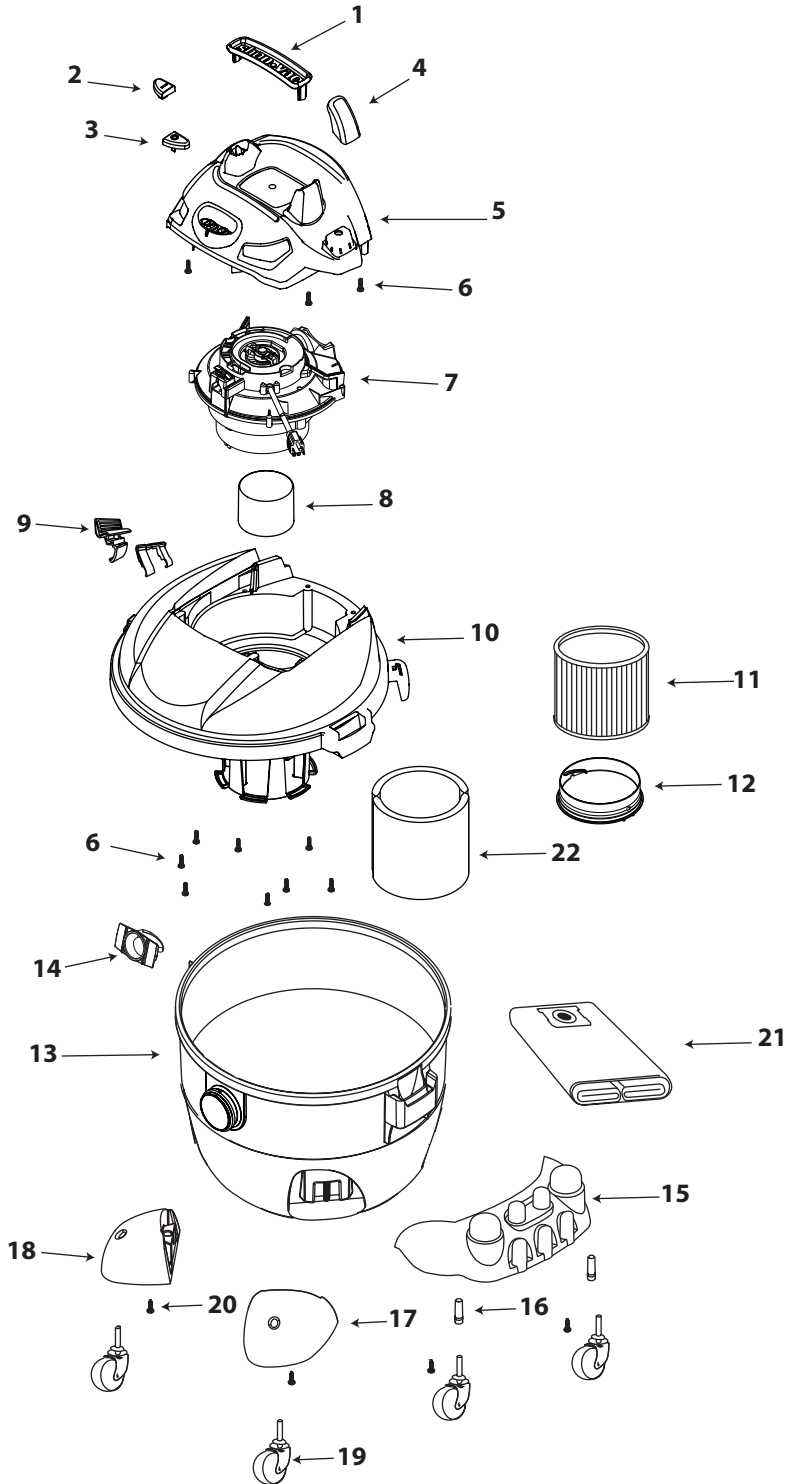


shop-vac®



| ITEM | DESCRIPTION | PART NO. |
|------|-------------------------------------|----------|
| 1 | Handle | 3751031 |
| 2 | Switch Button - I | 7414200 |
| 3 | Switch Button - O | 7414210 |
| 4 | Cord Hook | 3856430 |
| 5 | Motor Cover Assembly (Includes 1-4) | 2432022 |
| 6 | Screw 10 x 3/4" Trilobe, Twin Lead | 1517699 |
| 7 | Power unit Assembly | 8121097 |
| 8 | Float | 3545000 |
| 9 | Lid Latch | 1945462 |
| 10 | Lid Cage and Latch Assembly | 1944742 |
| 11 | Cartridge Filter | 90350 |
| 12 | Filter Retainer | 3008000 |
| 13 | Tank Assembly | 1026797 |
| 14 | Inlet Deflector | 7413120 |
| 15 | Rear Caster Dolly | 7431031 |
| 16 | Retainer | 8565500 |
| 17 | Caster Foot A | 8568000 |
| 18 | Caster Foot B | 8568010 |
| 19 | Caster | 6771200 |
| 20 | Screw 10 x 3/4" SL Hex Head | 1503999 |
| 21 | HE Disposable Filter Bag | 90671 |
| 22 | Foam Sleeve | 90585 |

*Replacement parts may differ from original equipment.