

This Owner's Manual is provided and hosted by [Appliance Factory Parts](#).



Shop Vac SE16-SQ550 Owner's Manual

[Shop genuine replacement parts for Shop Vac
SE16-SQ550](#)

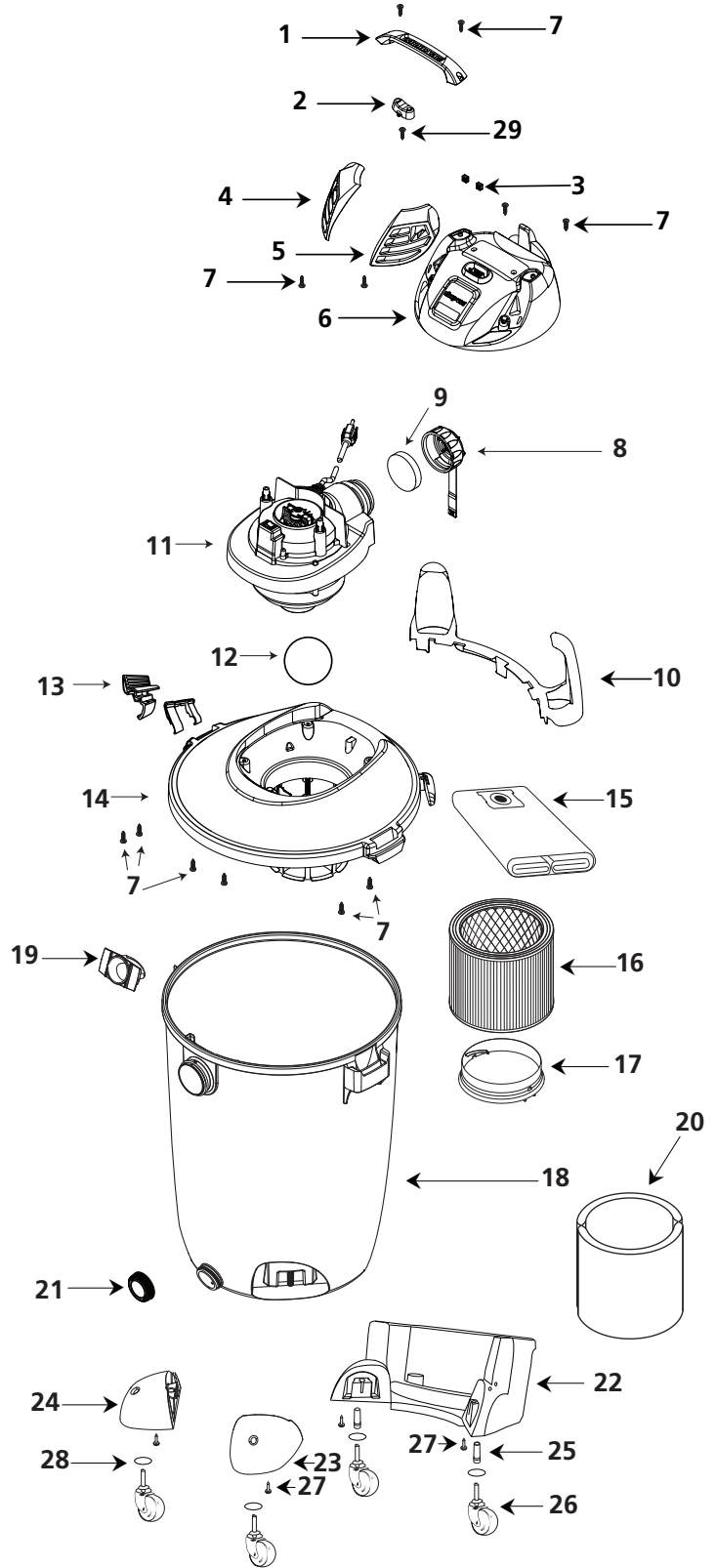


[Find Your Shop Vac Vacuum Cleaner Parts - Select From 487 Models](#)

----- Manual continues below -----



ITEM	DESCRIPTION	PART NO.
1	Handle	3756406
2	Switch Rocker	8230421
3	Switch Button Extension	7414254
4	Grill - Right	2433526
5	Grill - Left	2433536
6	Outer Motor Cover Assembly (Includes 2-7)	2433593
7	Screw 10 x 3/4" Trilobe, Twin Lead	1517699
8	Blower Port Cap (Includes #9)	1945329
9	Foam-Diffuser	1290530
10	Hose Holder	3857800
11	Power Unit Assembly	8305097
12	Ball Float	0081120
13	Lid Latch (Contains 2)	1945462
14	Lid Cage & Latch Assembly	3188122
15	Filter Bag	90672
16	Cartridge Filter	90304
17	Filter Retainer	3008000
18	Tank Assembly	1944838
19	Inlet Deflector	7413120
20	Foam Sleeve	90585
21	Drain Cover	7446803
22	Rear Dolly/Basket (Includes 25)	7417710
23	Caster Foot A	8568000
24	Caster Foot B	8568010
25	Retainer	8565500
26	Caster	6772200
27	Screw 10 x 3/4" SL Hex Head	1503999
28	Flat Washer	0704399
29	Screw KA40x 15MM	2783205



*Replacement parts may differ from original equipment.