

This Owner's Manual is provided and hosted by [Appliance Factory Parts](#).



Shop Vac AM1800A-MAX Owner's Manual

[Shop genuine replacement parts for Shop Vac
AM1800A-MAX](#)



[Find Your Shop Vac Vacuum Cleaner Parts - Select From 498 Models](#)

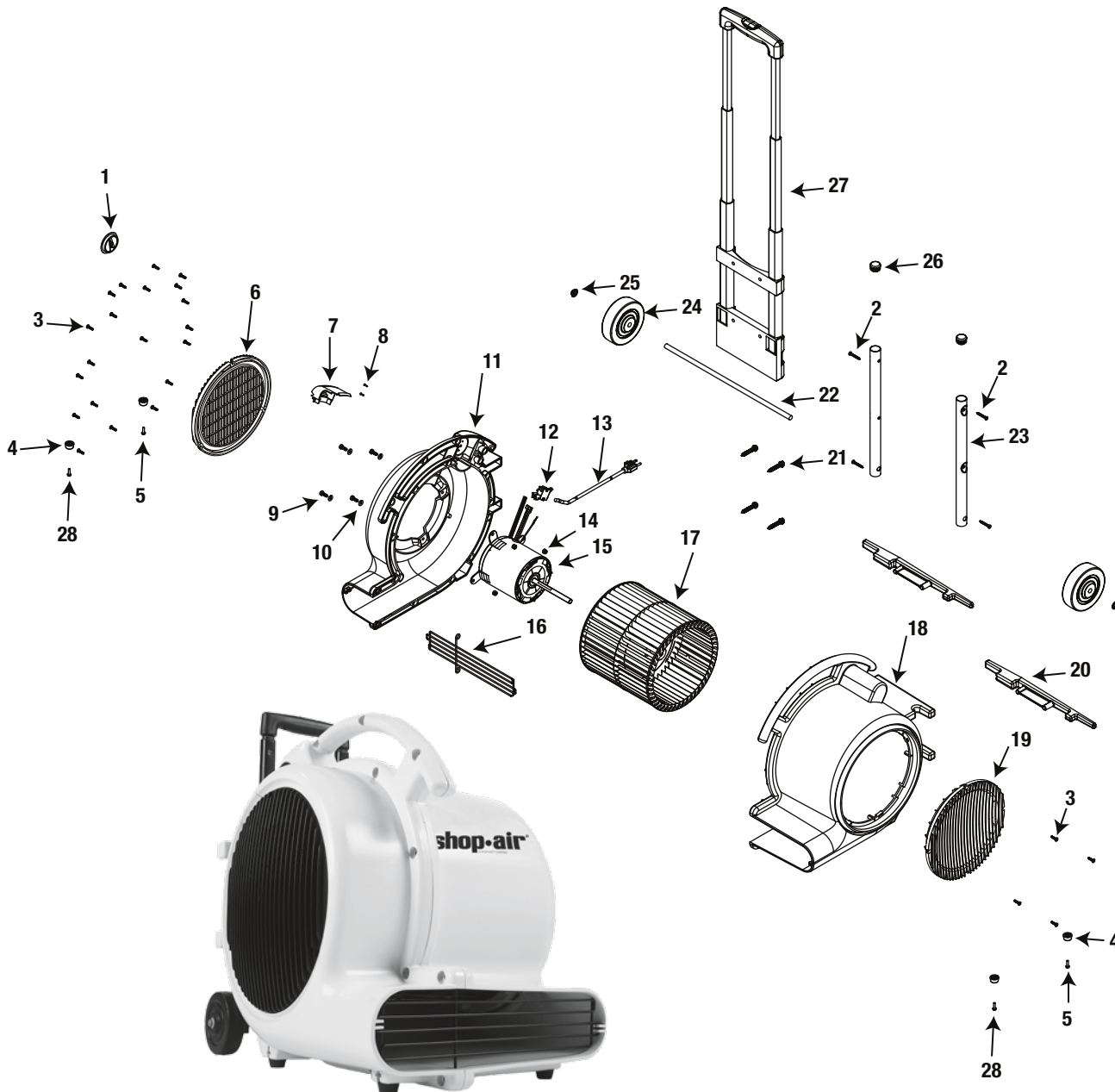
----- Manual continues below part list -----

Available Replacement Parts for Shop Vac AM1800A-MAX

1503999	screw
1517699	Screw.

AM Series

Model AM1800A



ITEM	DESCRIPTION	PART NO.
1	Control Knob	4570901
2	Screw #10 X 1 1/2" A or AB PH	1504199
3	Screw #10 X 3/4" Trilobe, Twin Lead	1517699
4	Recess Bumper	4571000
5	Screw #10 X 1 1/2" Type A or AB	1504299
6	Intake Grill - Motor Side	4570500
7	Wire Way Cover	4570403
8	Screw #5 X 1/2" Ph Flat Hd Type A/AB	1518099
9	Screw 1/4"-20 X 3/4 Hex Hd	0902999
10	1/4" Flat Washer- 1" OD	0705299
11	Motor Housing	1944794
12	Rotary Switch 16A	1944558
13	Cord	1944559
14	1/4"-20 Hex Hd Insert Nut	1303499
15	Motor	1944560
16	Wire Exhaust Grill	4571300
17	Blower Wheel	1944561
18	Motor Cover	1944580
19	Intake Grill - Shaft Support	4570600
20	Handle Anchor	4572100
21	Screw 1/4 x 1 1/2 SLT HH AB Washer Base	1511899
22	Axle	4571500
23	Support Tube - Axle	4571900
24	4" Wheel	4571410
25	Push Nut	4300399
26	Tubing Plug	4572000
27	Telescopic Handle	4572200
28	Screw #10 X 3/4 SL Hx HD	1503999

* Replacement Parts May Differ from Original Equipment.