

This Owner's Manual is provided and hosted by [Appliance Factory Parts](#).



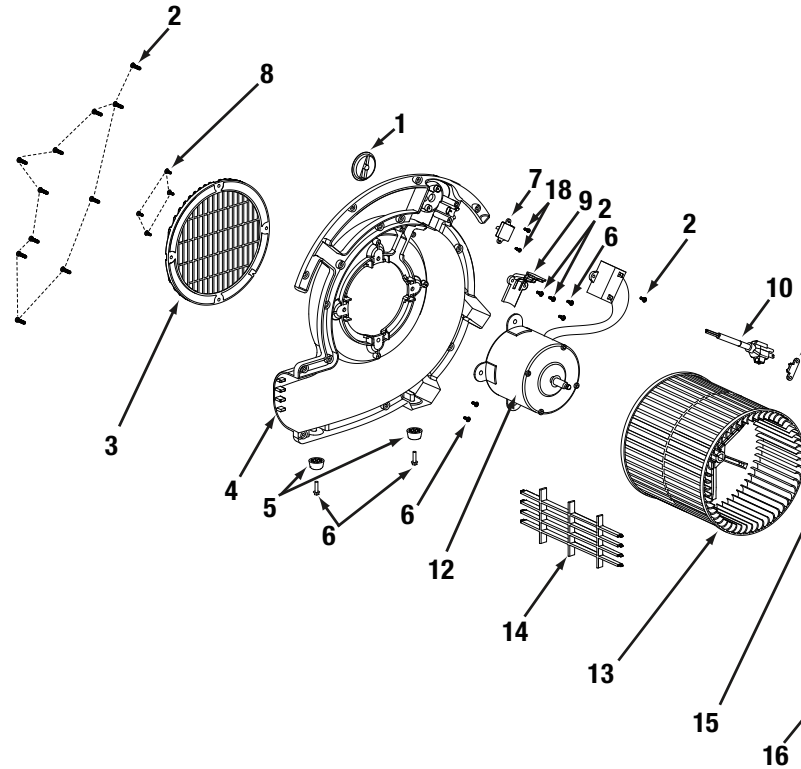
Shop Vac AM300 Owner's Manual

[Shop genuine replacement parts for Shop Vac AM300](#)



[Find Your Shop Vac Vacuum Cleaner Parts - Select From 487 Models](#)

----- Manual continues below -----



ITEM	DESCRIPTION	PART NO.
1	Control Knob	4570920
2	Screw #10 x 3/4" Trilobe, T25 Head	2783225
3	Intake Grill - Motor Side	4570530
4	Motor Housing Cover	4572710
5	Recess Bumper	4571000
6	Screw #10 x 3/4" SL HX HD	1505499
7	Rotary Switch	4572600
8	Screw #8 x 3/4" PH PAN Head	2783207
9	Cord Retainer	4572460
10	Cord	4157997
11	Strain Relief	4572450
12	Motor	1945356
13	Blower Wheel	4570130
14	Exhaust Grill	4571330
15	Hex Nut; M6 x 1.0 mm	1304699
16	Motor Housing Base	4572721
17	Intake Grill - Shaft Support	4570540
18	Screw; Oval HD, KA 40 x 15mm	2783205

*Replacement parts may differ from original equipment.