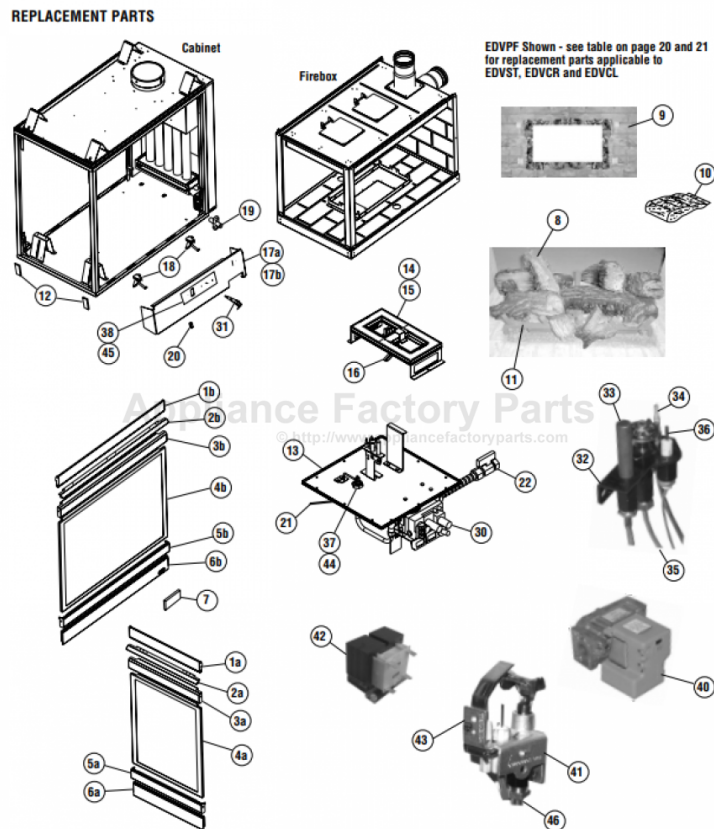


This Owner's Manual is provided and hosted by Appliance Factory Parts.



LENNOX HEARTH EDVPFPM Owner's Manual

Shop genuine replacement parts for LENNOX HEARTH
EDVPFPM



Find Your LENNOX HEARTH Fireplace Parts - Select From 237 Models



----- Manual continues below part list -----

Available Replacement Parts for LENNOX HEARTH EDVPFPM

74L57	THERMOCOUPLE LENNOX FIRE PLACE
60J79	THERMOPILE LENNOX FIRE PLACE
69L17	Pilot Assembly -Natural Gas.



HEARTH PRODUCTS

	<p>⚠ WARNINGS</p> <ul style="list-style-type: none"> • Hot! Do not touch! The glass and surfaces of this appliance will be hot during operation and will retain heat for a while after shutting off the appliance. Severe burns may result. • Carefully supervise children in the same room as appliance.
	

- If small children are present in the home, it is recommended that this appliance be fitted with a screen door or screen panel kit. See *Page 9* for ordering information.

RETAIN THESE INSTRUCTIONS FOR FUTURE REFERENCE



OMNI-Test Laboratories, Inc.

OTL Report No. 116-F-04-5

WARNING: IF THE INFORMATION IN THIS MANUAL IS NOT FOLLOWED EXACTLY, A FIRE OR EXPLOSION MAY RESULT CAUSING PROPERTY DAMAGE, PERSONAL INJURY OR LOSS OF LIFE.

FOR YOUR SAFETY: Do not store or use gasoline or other flammable vapors or liquids in the vicinity of this or any other appliance.

FOR YOUR SAFETY: What to do if you smell gas:

- DO NOT light any appliance.
- DO NOT touch any electrical switches.
- DO NOT use any phone in your building.
- Immediately call your gas supplier from a neighbor's phone.

Follow your gas suppliers instructions.

- If your gas supplier cannot be reached, call the fire department.

Installation and service must be performed by a qualified installer, service agency or the gas supplier.

HOMEOWNER'S CARE AND OPERATION INSTRUCTIONS

DIRECT VENT MULTI-OPEN ELITE® SERIES

VENTED GAS FIREPLACE HEATERS - DIRECT VENT MODELS
P/N 875,022M REV. C 03/2007

MODELS

Millivolt Models		Electronic Models	
EDVSTNM	EDVCRNM	EDVSTNE	EDVCRNE
EDVSTPM	EDVCRPM	EDVPFNE	EDVCLNE
EDVPFNM	EDVCLNM		
EDVPFPM	EDVCLPM		

A French manual is available upon request. Order Form Number 875,022CF.

Ce manuel d'installation est disponible en français, simplement en faire la demande. Numéro de la pièce 875,022CF.

AVERTISSEMENT: ASSUREZ-VOUS DE BIEN SUIVRE LES INSTRUCTIONS DONNÉ DANS CETTE NOTICE POUR RÉDUIRE AU MINIMUM LE RISQUE D'INCENDIE OU POUR ÉVITER TOUT DOMMAGE MATÉRIEL, TOUTE BLESSURE OU LA MORT.

POUR VOTRE SÉCURITÉ: Ne pas entreposer ni utiliser d'essence ni d'autre vapeurs ou liquides inflammables dans le voisinage de cet appareil ou de tout autre appareil.

POUR VOTRE SÉCURITÉ: Que faire si vous sentez une odeur de gaz:

- Ne pas tenter d'allumer d'appareil.
- Ne touchez à aucun interrupteur. Ne pas vous servir des téléphones se trouvant dans le bâtiment où vous vous trouvez.
- Evacuez la pièce, le bâtiment ou la zone.
- Appelez immédiatement votre fournisseur de gaz depuis un voisin. Suivez les instructions du fournisseur.
- Si vous ne pouvez rejoindre le fournisseur de gaz, appelez le service des incendies.

L'installation et service doit être exécuté par un qualifié installateur, agence de service ou le fournisseur de gaz.

CONGRATULATIONS!

In selecting this LENNOX Direct-Vent Gas Appliance you have chosen the finest and most dependable fireplace to be found anywhere. Its a beautiful, prestigious alternative to a wood burning fireplace. Welcome to a Family of tens of thousands of satisfied LENNOX Fireplace Owners.

Please carefully read and follow all of the instructions found in this manual. Please pay special attention to the safety instructions provided in this manual. The Homeowner's Care and Operation Instructions included here will assure that you have many years of dependable and enjoyable service from your LENNOX product.

TABLE OF CONTENTS

Introduction	page 2
General Information	page 2
Operation/Care of Your Appliance	page 3
Variable Flame Adjustment	page 4
Glass Cleaning	page 4
Maintenance	page 4
Front Glass Enclosure Panel, Removal and Installation	page 4
Maintenance Schedule	page 5
Burner Adjustments	page 6
Flame Appearance and Sooting	page 6
Adjustment	page 6
Ceramic Panel, Log and Glowing Ember Placement	page 7
Millivolt Appliance Checkout	page 7
Electronic Appliance Checkout	page 8
Wiring Diagrams	page 8
Warranty	page 8
Replacement Parts	page 8
Product Reference Information	page 8
Accessory Components	page 9
Lighting Instructions – Millivolt	page 16
Lighting Instructions – Electronic	page 18
Troubleshooting Guide – Millivolt	page 20
Troubleshooting Guide – Electronic	page 21
Replacement Parts List	page 22

INTRODUCTION

The Fireplace models covered in this manual are Direct-Vent sealed combustion gas fireplace heaters designed for residential application. Direct-Vent appliances operate with the combustion chamber completely isolated from the indoor environment. All air for combustion is brought in from the outside and exhaust gases are vented through the same direct vent, vent system.

The millivolt appliances are designed to operate on either natural or propane gas. A millivolt gas control valve with piezo ignition system provides safe, efficient operation. If any optional accessories which require electrical power are being installed, the electrical power must be provided at the time of appliance installation.

The electronic appliances are designed to operate on either natural or propane gas. An electronic intermittent pilot system provides safe, efficient operation. External electrical power is required to operate these units.

These appliances comply with National Safety Standards and are tested and listed by (Report No. 116-F-04-5) to ANSI Z21.88-2002 (in Canada, CSA-2.33-2000), and CAN/CGA-2.17-M91 in both USA and Canada, as vented gas fireplace heaters.

Installation must conform to local codes. In the absence of local codes, installation must comply with the current National Fuel Gas Code, ANSI Z223.1 (NFPA 54). (In Canada, the current CAN/CGA B149 installation code.) Electrical wiring must comply with local codes. In the absence of local codes, installation must be in accordance with the National Electrical Code, NFPA 70 - (latest edition). (In Canada, the current CSA C22.1 Canadian Electric Code.)

DO NOT ATTEMPT TO ALTER OR MODIFY THE CONSTRUCTION OF THE APPLIANCE OR ITS COMPONENTS. ANY MODIFICATION OR ALTERATION MAY VOID THE WARRANTY, CERTIFICATION AND LISTINGS OF THIS UNIT.

WARNING: IMPROPER INSTALLATION, ADJUSTMENT, ALTERATION, SERVICE OR MAINTENANCE CAN CAUSE INJURY OR PROPERTY DAMAGE. REFER TO THIS MANUAL. FOR ASSISTANCE OR ADDITIONAL INFORMATION CONSULT A QUALIFIED INSTALLER, SERVICE AGENCY OR THE GAS SUPPLIER.

WARNING: ELECTRONIC MODELS OF THESE APPLIANCES ARE EQUIPPED WITH A THREE-PRONG (GROUNDING) PLUG UTILIZED IN CONNECTING THE ELECTRONIC COMPONENTS TO THE JUNCTION BOX IN THE LOWER COMPARTMENT. THIS GROUNDING PLUG PROVIDES PROTECTION AGAINST SHOCK HAZARD AND SHOULD BE PLUGGED DIRECTLY INTO THE PROPERLY GROUNDED THREE-PRONG RECEPTACLE. DO NOT CUT OR REMOVE THE GROUNDING PRONG FROM THE PLUG.

GENERAL INFORMATION

Note: Installation and repair should be performed by a qualified service person. The appliance should be inspected annually by a qualified professional service technician. More frequent inspections and cleanings may be required due to excessive lint from carpeting, bedding material, etc. It is imperative that the control compartment, burners and circulating air passage ways of the appliance be kept clean.

S'assurer que le brûleur et le compartiment des commandes sont propres. Voir les instructions d'installation et d'utilisation qui accompagnent l'appareil.

Provide adequate clearances around air openings and adequate accessibility clearance for service and proper operation. Never obstruct the front openings of the appliance.

Due to high temperatures the appliance should be located out of traffic and away from furniture and draperies. Locate furniture and window coverings accordingly.

WARNING: THESE FIREPLACES ARE VENTED HEATERS. DO NOT BURN WOOD OR OTHER MATERIAL IN THESE APPLIANCES.

These appliances are designed to operate on natural or propane gas only. The use of other fuels or combination of fuels will degrade the performance of this system and may be dangerous.

On Millivolt models the input of the appliance can be adjusted between 31,000 and 39,000 BTU/HR when using natural gas or propane gas.

On Electronic models the input is fixed at 39,000 BTU/HR for both gas types.

The following table shows the units' orifice size for the elevations indicated.

Model No.	Orifice size		Elevation Feet (meters)
	Nat.	Prop.	
EDVST EDVVF EDVCR EDVCL	0.125"	#49	0-4500 (0-1372)

Maximum manifold pressure is 3.5 in. w.c. (0.87 kPa) for natural gas and 10 in. w.c. (2.49 kPa) for LP/Propane gas.

Do not use these appliances if any part has been under water. Immediately call a qualified, professional service technician to inspect the appliance and to replace any parts of the control system and any gas control which have been under water.

Ne pas se servir de cet appareil s'il a été plongé dans l'eau, complètement ou en partie. Appeler un technicien qualifié pour inspecter l'appareil et remplacer toute partie du système de contrôle et toute commande qui ont été plongés dans l'eau.

Test gage connections are provided on the front of the millivolt gas control valve (identified OUT for the manifold side and IN for inlet pressure). A 1/8" NPT test gage connection is provided on the electronic gas control valve adjacent to the outlet to the main burner.

Minimum inlet gas pressure to these appliances is 5.0 inches water column (1.24 kPa) for natural gas and 11 inches water column (2.74 kPa) for propane for the purpose of input adjustment.

Maximum inlet gas supply pressure to these appliances is 10.5 inches water column (2.61 kPa) for natural gas and 13.0 inches water column (3.23 kPa) for propane.

The appliance must be isolated from the gas supply piping system (by closing its individual manual shut-off valve) during any pressure testing of the gas supply piping system at test pressures equal to or less than 1/2 psig (3.5 kPa).

The appliance and its individual shut-off valve must be disconnected from the gas supply piping system during any pressure testing of that system at pressures in excess of 1/2 psig (3.5 kPa).

These appliances must not be connected to a chimney or flue serving a separate solid fuel burning appliance.

Any safety guard or screen removed for servicing the appliance must be replaced prior to operating the appliance.

WARNING: FAILURE TO COMPLY WITH THE INSTALLATION AND OPERATING INSTRUCTIONS PROVIDED IN THIS DOCUMENT WILL RESULT IN AN IMPROPERLY INSTALLED AND OPERATING APPLIANCE, VOIDING ITS WARRANTY. ANY CHANGE TO THIS APPLIANCE AND/OR ITS OPERATING CONTROLS IS DANGEROUS. IMPROPER INSTALLATION OR USE OF THIS APPLIANCE CAN CAUSE SERIOUS INJURY OR DEATH FROM FIRE, BURNS, EXPLOSION OR CARBON MONOXIDE POISONING.

Carbon Monoxide Poisoning: Early signs of carbon monoxide poisoning are similar to the flu with headaches, dizziness and/or nausea. If you have these signs, obtain fresh air immediately. Turn off the gas supply to the appliance and have it serviced by a qualified professional, as it may not be operating correctly.

WARNING: CHILDREN AND ADULTS SHOULD BE ALERTED TO THE HAZARDS OF HIGH SURFACE TEMPERATURES. USE CAUTION AROUND THE APPLIANCE TO AVOID BURNS OR CLOTHING IGNITION. YOUNG CHILDREN SHOULD BE CAREFULLY SUPERVISED WHEN THEY ARE IN THE SAME ROOM AS THE APPLIANCE.

WARNING: DO NOT PLACE CLOTHING OR OTHER FLAMMABLE MATERIALS ON OR NEAR THIS APPLIANCE.

AVERTISSEMENT: SURVEILLER LES ENFANTS. GARDER LES VÊTEMENTS, LES MEUBLES, L'ESSENCE OU AUTRES LIQUIDES À VAPEUR INFLAMMABLES LOIN DE L'APPAREIL.

OPERATION AND CARE OF YOUR APPLIANCE

Appliance operation may be controlled by the following means: the factory provided modesty panel-mounted ON-OFF control switch, an optional wall-mounted ON-OFF switch or optional remote control.

The modesty panel mounted ON-OFF control switch is located behind the control compartment access panel, below the appliance front glass enclosure panel. See *Figure 1*.

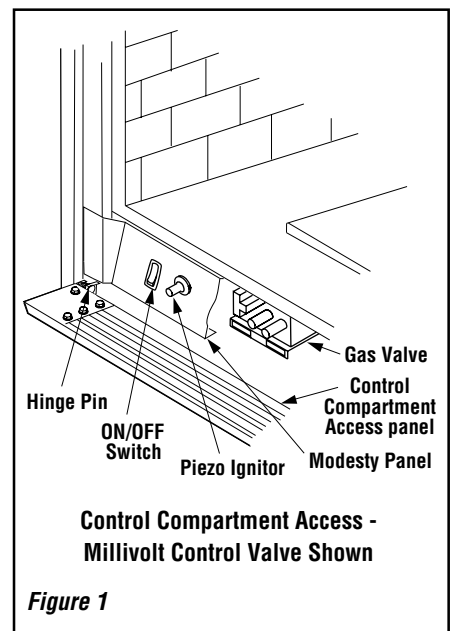
Gas Controls/Control Compartment Access

The gas controls can be found behind the control compartment access panel.

To open the control compartment access panel, actuate the spring-loaded magnetic catches securing the panel. First, depress the outer top right corner of the panel until the catch "pops" the door free. Then, gently pull the door forward until the left top corner "pops" free, allowing the panel to swing out and down to open.

On millivolt systems, the piezo ignitor, Hi/Lo flame adjustment knob, and pilot and main gas ON/OFF control knob are located on the modesty panel.

On both millivolt and electronic systems the gas valve is located behind the modesty panel. See *Figure 1*.

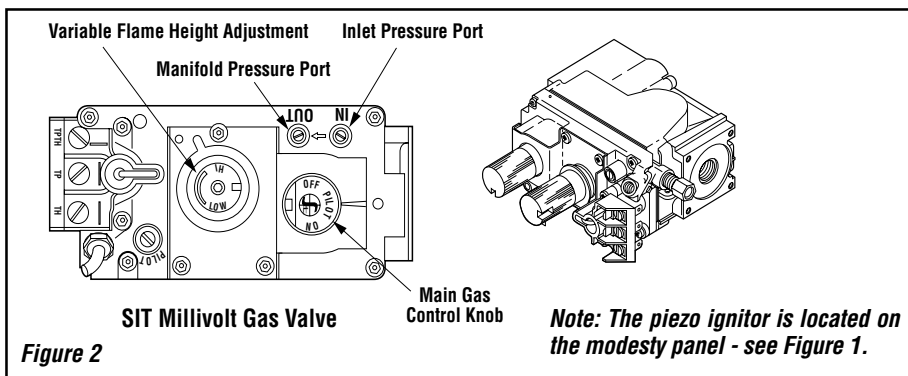


Remove the bottom control compartment access panel by compressing the spring-loaded hinge pin on the left side until it disengages from the left cabinet panel hole. Pull the panel away from the fireplace.

Once the control compartment access panel has been removed, the modesty panel can be removed as follows: slide the modesty panel forward until it contacts the cabinet bottom panel, then lift straight up and tilt forward. Remove the modesty panel carefully, so that none of the wires become loose or disconnected. Now complete access to the gas control valve and its related controls is attainable.

To ease door closure, depress the catches to place them in their retracted position, then close the door.

Operation of millivolt and electronic gas control systems are different. Before lighting and operating your appliance determine if you have a millivolt or electronic appliance.



Refer to **Figure 1** for access to the gas control valve. Millivolt appliances will be fitted with the gas control valve shown in **Figure 2**. Appliances with electronic systems will be fitted with the electronic valve shown in **Figure 3**. Familiarize yourself with the gas control valve that your appliance uses.

Millivolt Appliances -

To light millivolt appliances refer to the detailed lighting instructions found on **page 12 (English) and page 13 (French)**. **Millivolt appliance lighting instructions may also be found on the pull out lighting instruction labels attached to the gas control valve.**

Millivolt appliances are fitted with a burner ON/OFF control switch (rocker switch). See **Figure 1 on page 3** for its location. Once the pilot is lit, the ON/OFF rocker switch will control the appliance ON/OFF operation. To operate: Toggle the switch between its ON and OFF positions. If your millivolt appliance is equipped with an optional wall-mounted ON/OFF switch or remote control kit and the pilot is lit, the appliance main burner may be turned on and off with the wall switch or remote control.

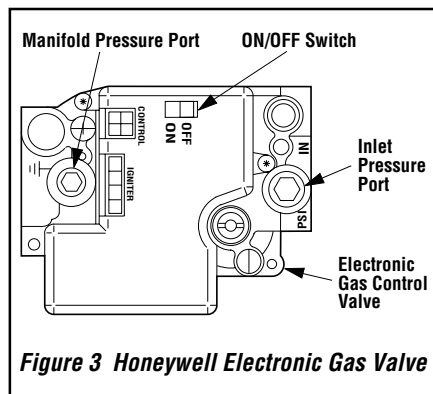
Electronic Appliances -

To light electronic appliances refer to the detailed lighting instructions found in both English and French on **pages 14 and 15** of these instructions respectively. **Electronic appliance lighting instructions may also be found on the pull out lighting instruction labels attached to the gas control valve.**

Electronic appliances are fitted with a ON/OFF burner control switch (rocker switch). See **Figure 1 on page 3** for its location. The electronic system will go through the whole lighting sequence automatically once the rocker switch is toggled to the ON position. If your electronic appliance is equipped with an optional wall-mounted ON/OFF switch or remote control kit the appliance main burner may be turned on and off with the wall switch or remote control.

Variable Flame Height Adjustment (Millivolt Appliances only)

1. All Millivolt appliances are equipped with a variable gas control valve. Flame height for these models may be adjusted through a range between fixed low and high settings while the appliance is in operation. Adjust the flame height as desired after lighting the appliance by rotating the variable adjustment control knob located on the front of the valve (**refer to Figure 2**). (An extension is attached to this knob so that the adjustment may be made at the modesty panel.)



2. When lit for the first time, this appliance will emit a slight odor for 14 hours. This is due to the "burn-in" of internal paints and lubricants used in the manufacturing process.

3. Keep lower control compartment clean by vacuuming or brushing at least twice a year. More frequent cleaning may be required due to excessive lint from carpeting, bedding materials, etc. It is important that control compartments, burners and circulating air passageways of the appliance be kept clean and clear of obstruction of venting and combustion air.

4. Always turn off gas to the pilot (millivolt appliances) and let the unit cool down before cleaning. Before re-lighting, refer to the lighting instructions in this manual. **Lighting instructions may also be found on the pull out lighting instruction labels attached to the gas control valve.**

5. Always keep the appliance area clear and free from combustible materials, gasoline and other flammable liquids.

6. Remember, Millivolt appliances have a continuous burning pilot flame. Exercise caution when using products with combustible vapors.

Glass Cleaning

It will be necessary to clean the glass periodically. During start-up it is normal for condensation to form on the inside of the glass. This can cause lint, dust and other airborne particles to cling to the glass surface. Also initial paint curing may deposit a slight film on the glass. It is therefore recommended that the glass be cleaned two or three times with a non-ammonia household cleaner and warm water (a gas fireplace glass cleaner is recommended).

After that the glass should be cleaned two or three times during each heating season, depending on the circumstances present.

Note: Clean glass after first two weeks of operation.

WARNING: DO NOT USE ABRASIVE CLEANERS. NEVER CLEAN THE GLASS WHEN IT IS HOT.

CAUTION: DO NOT TOUCH THE FRONT ENCLOSURE GLASS WITH YOUR HANDS WHILE THE FIREPLACE IS IN USE.

Maintenance

The appliance and venting system should be thoroughly inspected before initial use and at least annually by a qualified service technician. However, more frequent periodic inspections and cleanings should be performed by the homeowner. **Homeowner must contact a qualified service technician at once if any abnormal condition is observed.**

Refer to the maintenance schedule for maintenance tasks, procedures, periodicity and by whom they should be performed. Always verify proper operation of the appliance after servicing.

IMPORTANT: TURN OFF GAS AND ANY ELECTRICAL POWER BEFORE SERVICING THE APPLIANCE.

Glass Enclosure Panels - Removal and Installation.

WARNING: NEVER OPERATE THE APPLIANCE WITHOUT THE GLASS ENCLOSURE PANELS IN PLACE AND SECURE. DO NOT OPERATE APPLIANCE WITH ANY OF THE GLASS PANELS CRACKED, BROKEN OR MISSING. REPLACEMENT PANELS ARE AVAILABLE THROUGH YOUR LOCAL LENNOX DEALER AND MUST BE INSTALLED BY A LICENSED OR QUALIFIED SERVICE TECHNICIAN.

Maintenance Schedule

Annually (Before the onset of the Burning Season)

Maintenance Task	Accomplishing Person	Procedure
Inspecting/Cleaning Burner, Logs and Controls	Qualified Service Technician	Inspect valve and ensure it is properly operating. Check piping for leaks. Vacuum the control compartment, fireplace logs and burner area.
Check Flame Patterns and Flame Height	Qualified Service Technician	Refer to Figure 6 on page 7 and verify that the flame pattern and height displayed by the appliance conforms to the picture. Flames must not impinge on the log set.
Inspecting/Cleaning Pilot Burner and the Two Main Burners	Qualified Service Technician	Refer to Figure 9 on page 7 (millivolt) or Figure 10 on page 8 (electronic) . Remove any surface build-up on pilot and burner assembly. Clean the pilot nozzles, ignitor/flame rod and hood with a soft brush. Ensure the pilot flame engulfs the flame sensor as shown.
Checking Vent System	Qualified Service Technician	Inspect the vent system at the top and at the base (within the firebox) for signs of blockage or obstruction. Look for any signs of dislocation of the vent components.
Appliance Checkout	Qualified Service Technician	Perform the appropriate appliance checkout procedure detailed in this manual.

Periodically (After the Burning Season)

Maintenance Task	Accomplishing Person	Procedure
Cleaning Firebox Interior	Homeowner	Carefully remove logs, vermiculite and black and gray ceramic fiber chunks. Vacuum out interior of the firebox. Clean firebox walls and log grate. Replace logs, vermiculite and black and gray ceramic fiber chunks as detailed on page 7 .
Check Flame Patterns and Flame Height	Homeowner	Refer to Figure 6 on page 7 and verify that the flame pattern and height displayed by the appliance conforms to the picture. Flames must not impinge on the log set.
Checking Vent System	Homeowner	Inspect the vent system at the top and at the base (within the firebox) for signs of blockage or obstruction. Look for any signs of dislocation of the vent components.
Cleaning Glass Enclosure Panels	Homeowner	Clean as necessary following the directions provided in this manual. DO NOT TOUCH OR CLEAN GLASS WHILE IT IS HOT.

These are direct-vent appliances. They are designed to operate only with the glass enclosure panels properly installed. Generally the glass enclosure panels should not be removed except to gain access to the components within the firebox, and the appliance may only be operated without the front glass enclosure panel in place for very brief periods of time during initial appliance checkout and adjustment.

During this appliance checkout and adjustment period, a potential safety hazard exists - EXERCISE EXTREME CAUTION to prevent the occurrence of any burn injuries from the exposed flames or hot surfaces.

Also note, that while the front glass enclosure panel (or any of the panels) is removed, the flame appearance will appear to be smaller than normal.

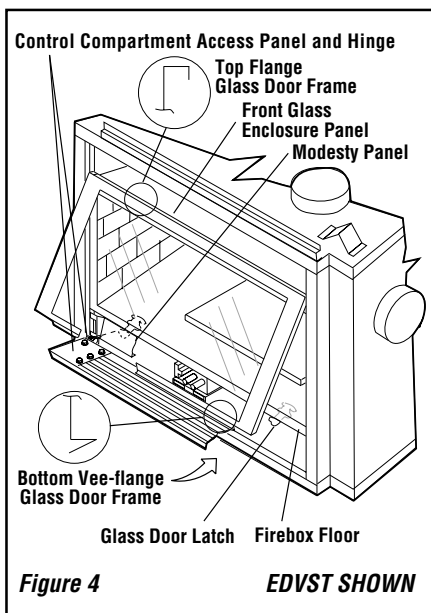
WARNING: HANDLE THE GLASS WITH EXTREME CARE! DO NOT STRIKE DOOR. TEMPERED GLASS IS SUSCEPTIBLE TO DAMAGE (SCRATCHES, FOR EXAMPLE) – HANDLE GLASS DOORS (GLASS ENCLOSURE PANELS) GENTLY WHILE REINSTALLING THEM.

WARNING: DO NOT ATTEMPT TO SUBSTITUTE THE MATERIALS USED ON THESE DOORS, OR REPLACE CRACKED OR BROKEN GLASS WITH ANY MATERIALS OTHER THAN THOSE PROVIDED BY THE APPLIANCE MANUFACTURER.

THE GLASS DOORS OF THIS APPLIANCE MUST ONLY BE REPLACED AS A COMPLETE UNIT AS PROVIDED BY THE MANUFACTURER. DO NOT ATTEMPT TO REPLACE BROKEN, CRACKED OR CHIPPED GLASS SEPARATELY.

See *Figure 4* and remove the front glass enclosure panel as follows:

1. Remove the top bustle, and the top louver assembly or radiant panel. Then remove the bottom bustle.
2. Open the control compartment access panel. To open the control compartment access panel, actuate the spring-loaded magnetic catches securing the panel, by gently depressing the outer top corners of the panel until the catches "pop" the door free, allowing it to swing out and down to open.



3. Remove the bottom control compartment access panel by compressing the spring-loaded hinge pin on the left side until it disengages from the left cabinet corner post hole. Pull the panel away from the fireplace.

4. Locate the two (2) latches at the top of the control compartment. To disengage the two latches from the bottom vee-flange of the glass enclosure panel, reach for the handles located towards the back of the latches and pull the handles down toward the front of the unit.

5. Swing the bottom of the door out and raise it slightly to lift the top flange of the door frame away from the appliance.

To install the front glass enclosure panel, proceed as follows:

1. Visually inspect the gasket on the backside of the panel. The gasket surface must be clean, free of irregularities and seated firmly.

2. Position the glass enclosure panel in front of the firebox opening at a 45 degree angle and engage the top flange over the lip at the top of the firebox opening.

3. Swing the glass enclosure panel down and back. Ensure the gasket seats evenly as the panel draws shut. Engage the Vee-flange at the bottom of the panel with the latches and close the latches to secure the panel.

4. Reinstall the bottom control compartment access panel by inserting the right side locating pin into the right side cabinet panel and then the left side spring-loaded pin into the left side cabinet panel.

5. Reinstall the top and bottom bustle, and the top louver assembly or radiant panel.

Burner Adjustments

The following paragraphs address burner adjustment concerns and procedures.

Flame Appearance and Sooting

Proper flame appearance is a matter of taste. Generally most people prefer the warm glow of a yellow to orange flame. Appliances operated with air shutter openings that are too large will exhibit flames that are blue and transparent. These weak, blue and transparent flames are termed anemic. If the air shutter opening is too small sooting may develop.

Sooting is indicated by black puffs developing at the tips of very long orange flames. Sooting results in black deposits forming on the logs, appliance inside surfaces and on exterior surfaces adjacent to the vent termination.

Sooting is caused by incomplete combustion in the flames and a lack of combustion air entering the air shutter opening. To achieve a warm yellow to orange flame with an orange body that does not soot, the shutter opening must be adjusted between these two extremes. No smoke or soot should be present. Reposition the log set if the flames impinge on any part of it.

If the log set is properly positioned and sooting conditions exist, the air shutter opening on the main burner tube should be adjusted. Normally, the more offsets in the vent system, the greater the need for the air shutter to be opened further.

WARNING: AIR SHUTTER ADJUSTMENT SHOULD ONLY BE PERFORMED BY A QUALIFIED PROFESSIONAL SERVICE TECHNICIAN.

ENSURE THAT ALL GLASS PANELS ARE IN PLACE AND SEALED DURING ADJUSTMENT.

Adjustment

CAUTION: THE ADJUSTMENT ROD AND NEARBY APPLIANCE SURFACES ARE HOT. EXERCISE CAUTION TO AVOID INJURY WHILE ADJUSTING FLAME APPEARANCE.

To adjust the flame, rotate the adjustment rod (located in the lower control area) counterclockwise to decrease or clockwise to increase the air shutter opening. **Adjust the air shutter to the recommended setting as shown in *Figure 5* on page 7.** Allow the burner to operate for at least 15 minutes. Observe the flame continuously. If it appears weak or sooty as previously described, adjust the air shutter by rotating the adjustment rod until the flame appearance is as desired.

The adjustment rod and associated adjustable air shutter is patented technology. Flame adjustments can be made quickly and accurately to taste without the need of disassembling the appliance and waiting for 30 minutes after each adjustment.

Propane models may exhibit a flame pattern that may candle or appear stringy. If this is problematic or persists as the appliance is continually operated, adjust the air shutter closed as described in the previous paragraphs.

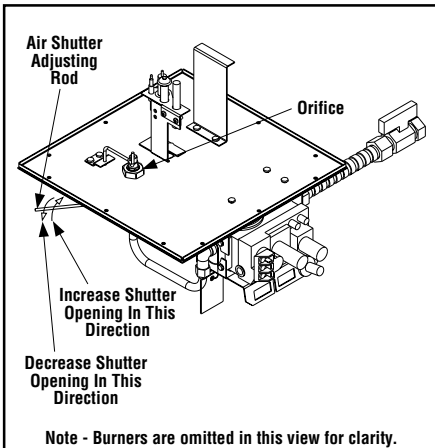
Operate the appliance for a period of time as the effect diminishes, ensuring that the appliance does not develop sooty flames.

When satisfied that the appliance operates properly, proceed to finish the installation. Leave the control knob in "ON" position and turn the remote switch "OFF." Close the lower control compartment access panel.

Log Placement

WARNING: LOG SET GETS VERY HOT AND WILL REMAIN HOT UP TO ONE HOUR AFTER GAS SUPPLY IS TURNED OFF. HANDLE ONLY WHEN LOG SET IS COOL. TURN OFF ALL GAS TO THE APPLIANCE BEFORE INSTALLING THE GRATE AND LOG SET.

WARNING: THIS APPLIANCE IS NOT DESIGNED TO BURN WOOD. ANY ATTEMPT TO DO SO COULD CAUSE IRREPARABLE DAMAGE TO YOUR APPLIANCE AND PROVE HAZARDOUS TO YOUR SAFETY.



MAIN BURNER FACTORY SHUTTER SETTING		
Models	Natural Gas inches (mm)	Propane Gas inches (mm)
EDVST EDVPF EDVCR EDVCL	1/4" (6.35)	5/8" (15.88)

Adjustment Rod Positions (when viewed from above)

Figure 5

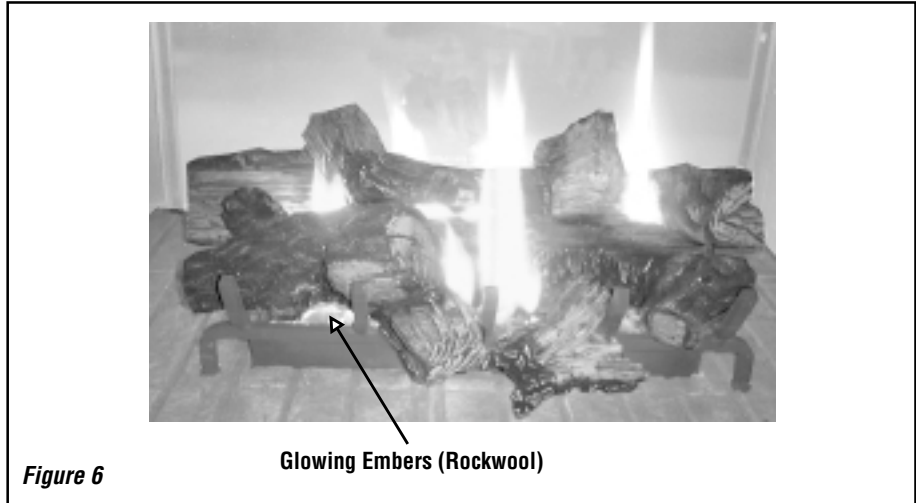


Figure 6

WARNING: THE SIZE AND POSITION OF THE LOG SET WAS ENGINEERED TO GIVE YOUR APPLIANCE A SAFE, RELIABLE AND ATTRACTIVE FLAME PATTERN. ANY ATTEMPT TO USE A DIFFERENT LOG SET IN THE FIREPLACE WILL VOID THE WARRANTY AND WILL RESULT IN INCOMPLETE COMBUSTION, SOOTING, AND POOR FLAME QUALITY.

The logs are packaged in a carton located within the firebox. One plastic bag of glowing embers is located in the bottom compartment. Refer to the **Log Set Placement Supplement** for detailed placement instructions for the ceramic ember panel, logs and glowing embers. **Figure 6** shows a typical flame pattern for this particular appliance. **Figures 7 and 8** show burner orientation.

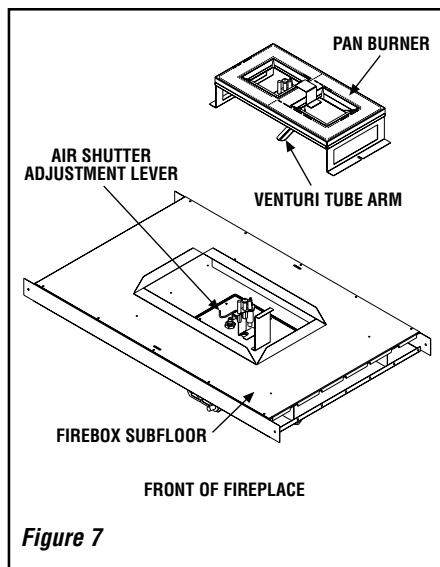


Figure 7

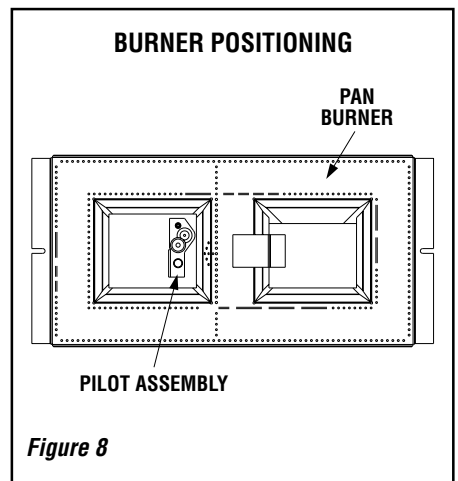


Figure 8

Millivolt Appliance Checkout

The pilot flame should be steady, not lifting or floating. Flame should be blue in color with traces of orange at the outer edge.

The top 3/8" (10 mm) at the pilot generator (thermopile) and the top 1/8" min (tip) of the quick drop out thermocouple should be engulfed in the pilot flame. The flame should project 1" (25 mm) beyond the hood at all three ports. See **Figure 9**. To light the burner, refer to the lighting instructions on **pages 12 and 13**.

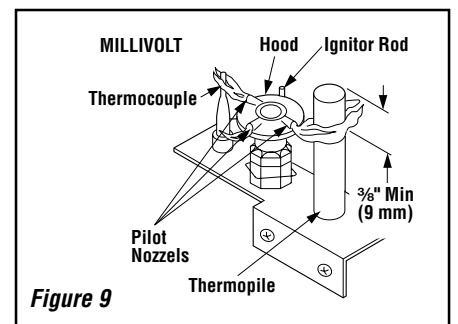
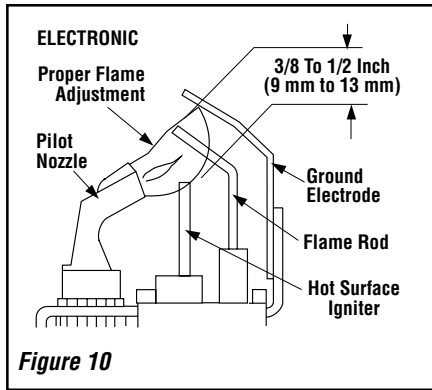


Figure 9

Electronic Appliance Checkout

To light the burner, refer to the lighting instructions on **page 14 and 15**. Ensure the ignitor lights the pilot. The pilot flame should engulf the flame sensor as shown in **Figure 10**

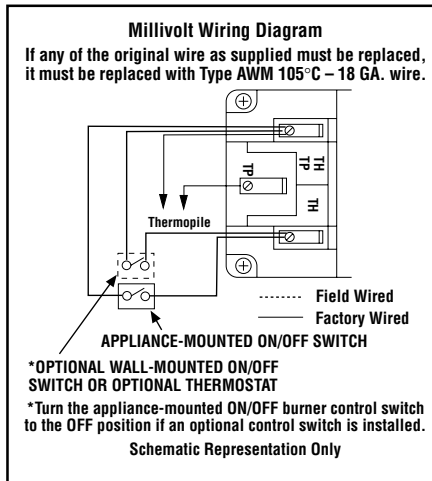


With proper care and maintenance, your appliance will provide many years of enjoyment. If you should experience any problem, first refer to the trouble shooting guide in this manual. If problem persists, contact your Lennox distributor.

WIRING DIAGRAMS

Wiring diagrams are provided here for reference purposes only. This information is also provided on schematics attached directly to the appliance on a pullout panel located within the control compartment.

CAUTION: LABEL ALL WIRES PRIOR TO DISCONNECTION WHEN SERVICING CONTROLS. WIRING ERRORS CAN CAUSE IMPROPER AND DANGEROUS APPLIANCE OPERATION.

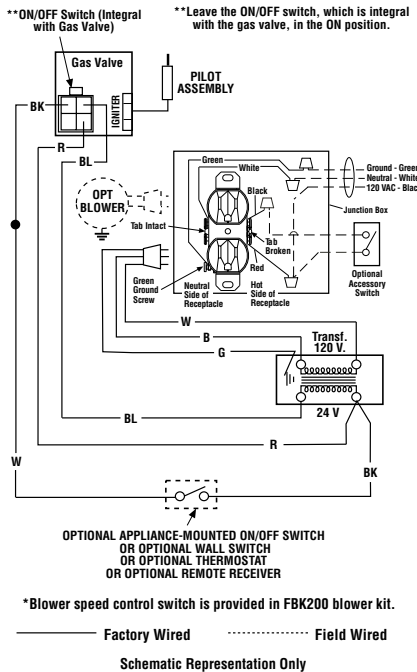


WARRANTY

Your gas appliance is covered by a limited twenty year warranty. You will find a copy of the warranty accompanying this manual. Please read the warranty to be familiar with its coverage.

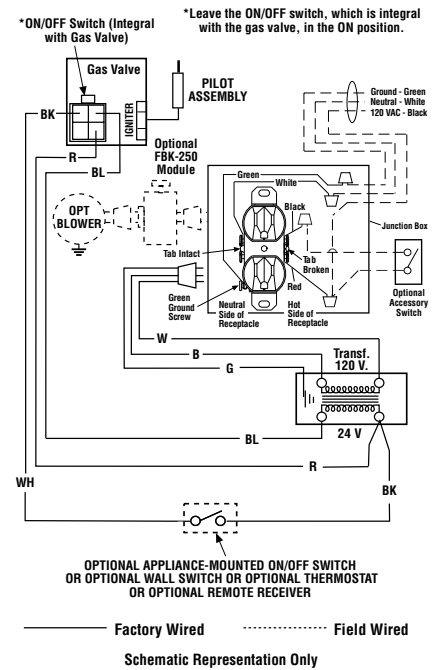
Electronic Wiring Diagram (Honeywell) Showing the Blower Wiring for the Optional FBK-100 and FBK-200 Kits

1. If any of the original wire as supplied must be replaced, it must be replaced with Type AWM 105°C - 18 GA. wire.
2. 120V, 60Hz - Less than 3 amps.



Electronic Wiring Diagram (Honeywell) Showing the Blower Wiring for the Optional FBK-250 Kits

1. If any of the original wire as supplied must be replaced, it must be replaced with Type AWM 105°C - 18 GA. wire.
2. 120V, 60Hz - Less than 3 amps.



Retain this manual. File it with your other documents for future reference.

REPLACEMENT PARTS

A complete parts list is found at the end of this manual. Use only parts supplied from the manufacturer.

Normally, all parts should be ordered through your Lennox distributor or dealer. Parts will be shipped at prevailing prices at time of order.

When ordering repair parts, always give the following information:

1. The model number of the appliance.
2. The serial number of the appliance.
3. The part number.
4. The description of the part.
5. The quantity required.
6. The installation date of the appliance.

If you encounter any problems or have any questions concerning the installation or application of this system, please contact your distributor, or Lennox directly:

LENNOX HEARTH PRODUCTS

1110 West Taft Avenue • Orange, CA 92865

PRODUCT REFERENCE INFORMATION

We recommend that you record the following important information about your fireplace. Please contact your Lennox dealer for any questions or concerns. For the number of your nearest Lennox dealer, please call 1-800-9-LENNOX.

Your Fireplace's Model Number _____

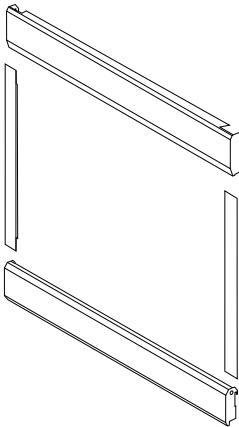
Your Fireplace's Serial Number _____

The Date On Which Your Fireplace Was Installed _____

The Type of Gas Your Fireplace Uses _____

Your Dealer's Name _____

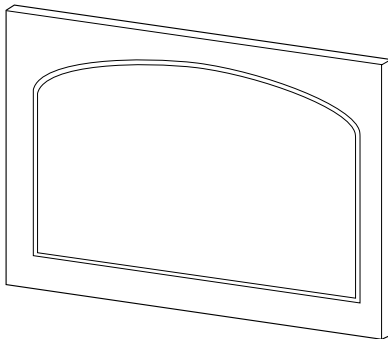
ACCESSORY COMPONENTS



Door Frame Kits

A decorative door frame kit is available for use with these appliances. The DTK is designed to attach directly to the front face of the appliance at its extreme edges. The DTK provides a picture frame finish for the appliance. The door frame kit can be retrofitted onto previously installed appliances.

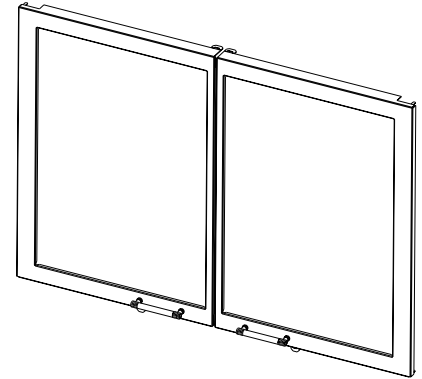
Door Frame Kits CATALOG NO. / MODEL NO. AND NUMBER OF SETS				
Unit Model No.	Polished Brass Finish		Brushed Stainless Finish	
	for 24 in. wide Glass Door	for 40 in. wide Glass Door	for 24 in. wide Glass Door	for 40 in. wide Glass Door
	88L43 DTK24PB-2	88L45 DTK40PB-2	90L69 DTK24BS	90L71 DTK40BS
EDVST	-	2	-	2
EDVPF	1	2	1	2
EDVCR EDVCL	1	1	1	1



Arch Door Kits

Two types of arch door kits are available for the Multi-Open Series. Both types of kits are easy to install and do not require hardware to attach them to the standard door frame. These kits can be retrofitted to previously installed Multi-Open Series appliances. The decorative arch kits can not be used in conjunction with the screen panel kit.

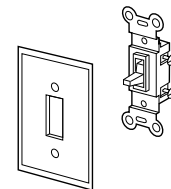
Arch Door Kits - CATALOG NO. / MODEL NO. AND QUANTITY				
Unit Model No.	Polished Brass Finish		Brushed Stainless Finish	
	for 24 in. wide Glass Door	for 40 in. wide Glass Door	for 24 in. wide Glass Door	for 40 in. wide Glass Door
	81L37 ADK24CPB	81L35 ADK40CPB	98L71 ADK24CBS	98L69 ADK40CBS
EDVST	-	2	-	2
EDVPF	1	2	1	2
EDVCR EDVCL	1	1	1	1



Twin-Pane Door Trim Kits
 Polished Brass - 40 inch 20M83 TPK-40PB
 Brushed Stainless - 40 inch 20M86 TPK-40BS

Polished Brass and Brushed Stainless Twin-Pane Door Trim Kits

Two types of twin-pane door trim kits are available for the Multi-Open Series (polished brass or brushed stainless). Both types of kits are easy to install and do not require hardware to attach them to the standard glass door frame. Only the 40 inch glass door frame can be fitted with these kits. The decorative twin-pane door trim kits can not be used in conjunction with the screen panel kit.



ON/OFF Wall Switch Kit 85L87 FWSK

ON/OFF Wall Switch Kit

The ON/OFF wall switch kit may be used to control the operation of the fireplace burner as an alternative to the modesty panel mounted ON-OFF switch. Install the ON/OFF wall switch in a convenient location near the fireplace.

ACCESSORY COMPONENTS CONTINUED



Remote Control System (Standard) H0249 RCL

Standard Remote Control System

The Model RCL (Standard) Remote Control System, features a simplistic on/off control function for the fireplace. This model includes a hand-held transmitter, a remote receiver with wall-mount coverplate and all hardware required to install the unit. The remote receiver can be wall or hearth mounted.

The transmitter has ON and OFF functions that are activated by pressing either button on the face of the transmitter. When a button on the transmitter is pressed, a signal light illuminates briefly to verify that a signal has been sent.

The Model RCL is designed to operate with all millivolt ignition systems, as well as electronic ignition systems. It may be installed with use for either natural or propane gas appliances. The RCL offers ease of installation and allows you to execute on-off commands to the fireplace effortlessly with one simple motion.

The Model RCL comes complete with detailed operating instructions.



Remote Control System (Deluxe) H0251 RCL-T

Deluxe Remote Control System

The Model RCL-T (Deluxe) Remote Control System has all of the features of the standard system along with an added easy to read LCD screen which presents access to many enhancements, including: battery power level indicator, timer, mode of operation, thermostatic display including room temperature in either metric or English units, flame indicator and clock. Fully programmable, the Model RCL-T allows for virtual command over nearly all operational and temperature variables, using the hand held remote control transmitter.

The Model RCL-T (Deluxe) remote control system is installed in the same manner as the standard system, may be operated with electronic and millivolt systems with either natural or propane gas. The RCL-T comes complete with detailed operating instructions.



Flame Modulating Remote Control
 - Natural Gas H0301 RCL-MN
 Flame Modulating Remote Control
 - LP/Propane Gas H0302 RCL-ML

Flame Modulating Remote Control

Flame Modulating Remote Controls were developed to provide a safe, reliable and user-friendly remote control system for appliances equipped with a Millivolt Gas Valve. A detailed set of instructions are included with each remote.

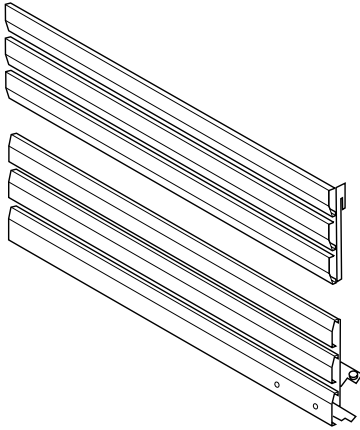


Touch-Up Paint Kit (Charcoal) 90L74 TPK-C
 Touch-Up Paint Kit (Tan) 98K67 TPK-T

Touch-Up Paint Kit

Repair of minor scratches and discoloration of the appliance charcoal painted cabinet surfaces may be accomplished with the touch-up paint kit.

ACCESSORY COMPONENTS CONTINUED

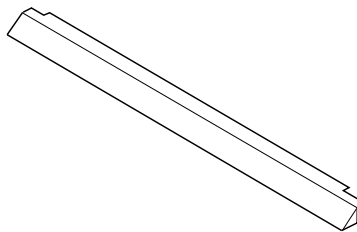


Charcoal Finish Louvers Kits

Decorative louvers are available for use with all Multi-Open Series appliances. These louvers are designed to replace the standard radiant panels that are provided with the appliance. These kits include a charcoal finish top 3-piece assembly and a bottom 3-piece assembly. These kits can be retrofitted to previously installed appliances.

Charcoal Finish Louver Assembly Kits (3-piece Top and 3-piece Bottom Assembly) CATALOG NO. / MODEL NO. AND NUMBER OF SETS		
Unit Model No.	Charcoal Finish	
	for 24 in. wide Glass Door	for 40 in. wide Glass Door
		88L23 LVR24C-2
EDVST	-	2
EDVPF	1	2
EDVCR EDVCL	1	1

Polished Brass and Brushed Stainless Hood Kits

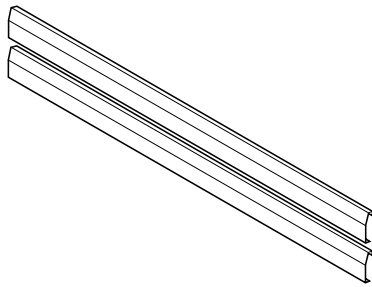


Attractive hoods are available in two styles to be used on the Multi-Open Series appliances. These hoods are designed to be fitted to the glass viewing sides of the appliance. In addition to providing an aesthetically pleasing appearance to your appliance installation, the hood reduces heat effects to decorative mantles and finish materials located above the fireplace opening. The hood kit replaces the standard hood that comes with these appliances and snaps into place. These kits can be retrofitted to previously installed appliances.

Hood Kits CATALOG NO. / MODEL NO. AND NUMBER OF SETS				
Unit Model No.	Polished Brass Finish		Brushed Stainless Finish	
	for 24 in. wide Glass Door	for 40 in. wide Glass Door	for 24 in. wide Glass Door	for 40 in. wide Glass Door
		96K28 EB24PB	96K68 EB40PB	88L47 EB24BS
EDVST	-	2	-	2
EDVPF	1	2	1	2
EDVCR EDVCL	1	1	1	1

NOTE: DIAGRAMS & ILLUSTRATIONS NOT TO SCALE.

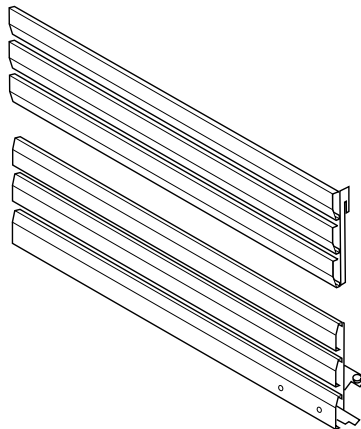
ACCESSORY COMPONENTS CONTINUED



2-Piece Polished Brass and Brushed Stainless Louvers Kits

Decorative louvers are available for use with all Multi-Open Series appliances. These louvers are designed to replace either the middle charcoal louver of each set or the charcoal louver in each set closest to the glass door. These kits include two narrow louvers. They provide a touch of elegance to any Multi-Open Series appliance. These kits can be retrofitted to previously installed appliances.

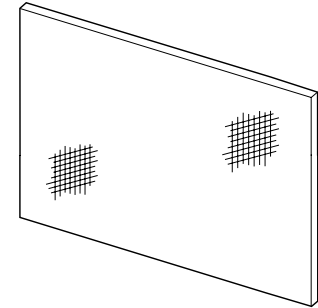
Louver Kits (2-piece) CATALOG NO. / MODEL NO. AND NUMBER OF SETS				
Unit Model No.	Polished Brass Finish		Brushed Stainless Finish	
	for 24 in. wide Glass Door	for 40 in. wide Glass Door	for 24 in. wide Glass Door	for 40 in. wide Glass Door
	96L04 2LVR24PB	96L06 2LVR40PB	96L08 LVR24BS	96L10 LVR40BS
EDVST	-	2	-	2
EDVPF	1	2	1	2
EDVCR EDVCL	1	1	1	1



Polished Brass and Brushed Stainless Louvers Kits

Decorative louvers are available for use with all Multi-Open Series appliances. These louvers are designed to replace the standard radiant panels that are provided with the appliance. These kits include a top 3-piece assembly and a bottom 3-piece assembly. They provide a touch of elegance to any Multi-Open Series appliance. These kits can be retrofitted to previously installed appliances.

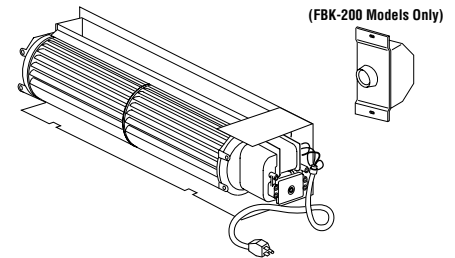
Louver Assembly Kits (3-piece Top and 3-piece Bottom Assembly) CATALOG NO. / MODEL NO. AND NUMBER OF SETS				
Unit Model No.	Polished Brass Finish		Brushed Stainless Finish	
	for 24 in. wide Glass Door	for 40 in. wide Glass Door	for 24 in. wide Glass Door	for 40 in. wide Glass Door
	88L27 LVR24PB-2	88L29 LVR40PB-2	88L31 LVR24BS	88L33 LVR40BS
EDVST	-	2	-	2
EDVPF	1	2	1	2
EDVCR EDVCL	1	1	1	1



Screen Panel Kit
 24 inch Wide Glass Door 98K74 HG24
 40 inch Wide Glass Door 96K32 HG40

Screen Panel Kit

An optional screen panel can be installed on the Multi-Open Series doors. These screen panels are easy to install. These kits can be retrofitted to previously installed appliances. The screen panel kits can not be used in conjunction with either of the arch door kits or door frame kits.



(FBK-200 Models Only)

Forced Air Blower Kits
 -Single Speed 80L84 FBK-100
 -Variable Speed with wall-mounted switch 80L85 FBK-200
 -Variable Speed with unit-mounted switch 80L86 FBK-250

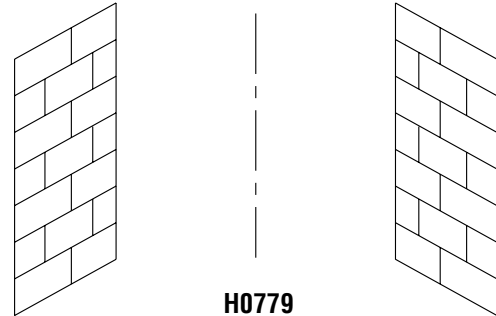
Forced Air Kit

The FBK-100 blower provides for a constant velocity forced air circulation feature for your appliance. The FBK-200 assembly with variable speed wall switch provides a forced air circulation feature for your appliance. The FBK-250 comes complete with a unit mounted switch operating system.

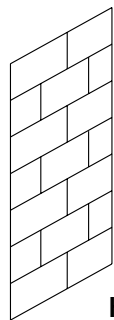
ACCESSORY COMPONENTS CONTINUED

Bricaded Panel Liner Kits	
Model No.	Catalog No. Model No.
EDVPF	H0778 EBLK-PF
EDVST	H0779 EBLK-ST
EDVCL	H0780 EBLK-CL
EDVCR	H0781 EBLK-CR

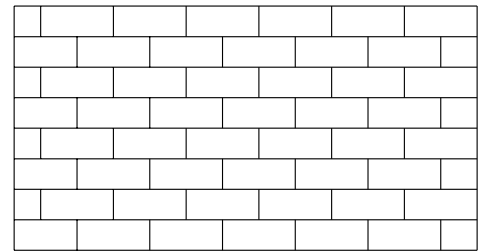
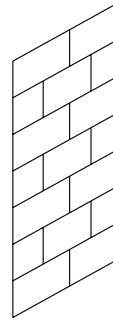
The brickaded liner kits include ceramic panels as shown here. The panels have brick-like features in relief.



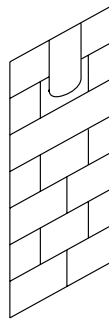
**H0779
(Top Vent)**



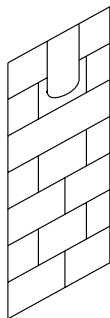
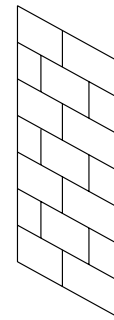
**H0778
(Top Vent)**



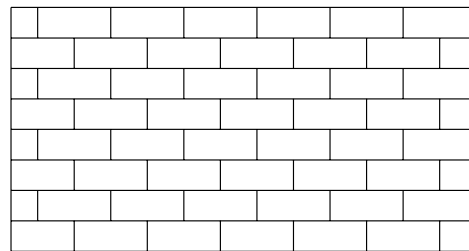
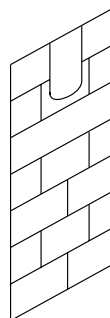
**H0780 & H0781
(Top Vent)**



**H0779
(Rear Vent)**



**H0778
(Rear Vent)**



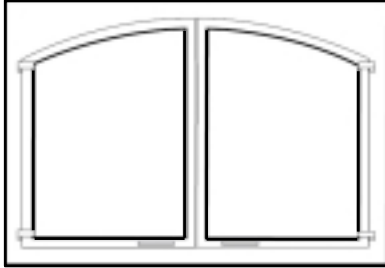
**H0780 & H0781
(Rear Vent)**

NOTE: DIAGRAMS & ILLUSTRATIONS NOT TO SCALE.

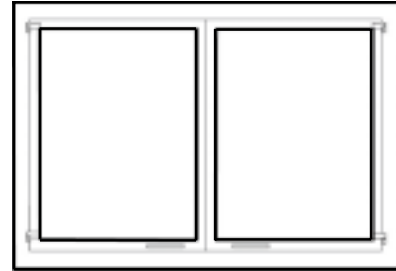
ACCESSORY COMPONENTS CONTINUED

Style View Doors -

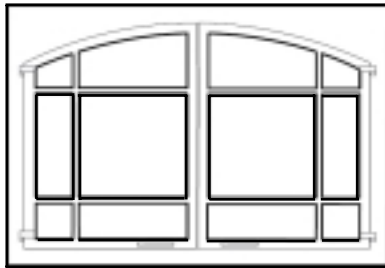
Style View Doors come in 4 beautiful styles. They are easy to install and will not require hardware to attach them to the standard glass door frame. The door includes heavy duty magnet door latches and functional twin-pane doors.



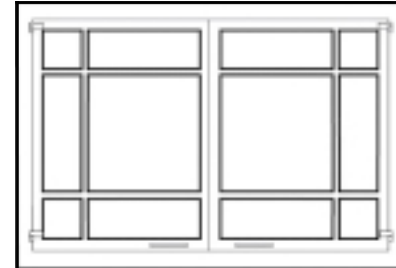
Arch Design



Square Design



Arch Pane Design



Square Pane Design

ARCH DESIGN KITS			
Cat. No.	Model	Description	Model Series
H0862	AD40C	40" Arch Doors, Charcoal	EDVST EDVPF EDVCR EDVCL
H0863	AD40TI	40" Arch Doors, Textured Iron	
H0864	AD40SP	40" Arch Doors, Satin Pewter	
H0865	AD40AB	40" Arch Doors, Antique Brass	
ARCH PANE DESIGN KITS			
H0934	APD40C	40" Arch Pane Doors, Charcoal	EDVST EDVPF EDVCR EDVCL
H0935	APD40TI	40" Arch Pane Doors, Textured Iron	
H0936	APD40SP	40" Arch Pane Doors, Satin Pewter	
H0937	APD40AB	40" Arch Pane Doors, Antique Brass	

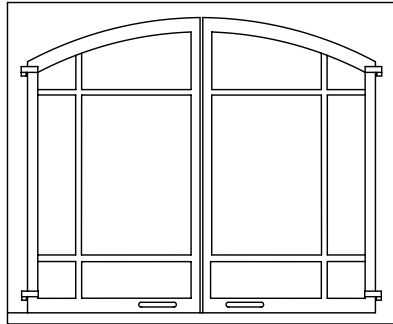
SQUARE DESIGN KITS			
Cat. No.	Model	Description	Model Series
H0950	SD40C	40" Sq. Doors, Charcoal	EDVST EDVPF EDVCR EDVCL
H0951	SD40TI	40" Sq. Doors, Textured Iron	
H0952	SD40SP	40" Sq. Doors, Satin Pewter	
H0953	SD40AB	40" Sq. Doors, Antique Brass	
SQUARE PANE DESIGN KITS			
H0966	SPD40C	40" Sq. Pane Doors, Charcoal	EDVST EDVPF EDVCR EDVCL
H0967	SPD40TI	40" Sq. Pane Doors, Textured Iron	
H0968	SPD40SP	40" Sq. Pane Doors, Satin Pewter	
H0969	SPD40AB	40" Sq. Pane Doors, Antique Brass	

ACCESSORY COMPONENTS CONTINUED

Style View Doors Continued -

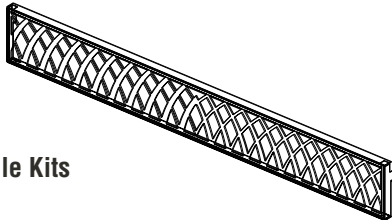
Style View Doors also come in a Tall Arch Pane Design. Two distinctive grille kits, the “Crescents” and “Sunrise” design, are also offered separately. They are easy to install and will not require hardware to attach them to the standard glass door frame. The door includes heavy duty magnet door latches and functional twin-pane doors.

Tall Arch Pane Door

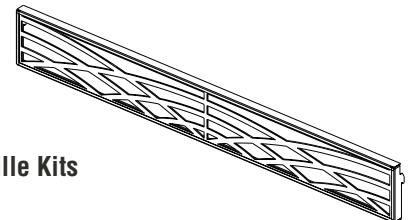


TALL ARCH PANE DOORS			
Cat. No.	Model	Description	Model Series
H3529	TAPD40C	40" Arch Pane Doors, Charcoal	EDVST
H3531	TAPD40SP	40" Arch Pane Doors, Satin Pewter	

“Crescents” Grille Kits

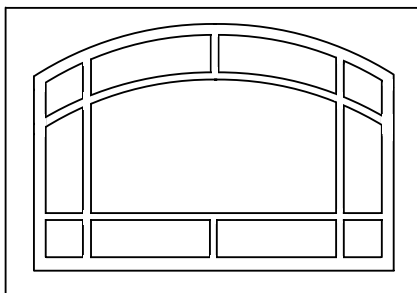


“Sunrise” Grille Kits



“Crescents” Grille Kits			
Cat. No.	Model	Description	Model Series
H3549	CUGK40C	40" Crescents Upper Grille Kit, Charcoal	EDVST
H3551	CUGK40SP	40" Crescents Upper Grille Kit, Satin Pewter	
H3553	CLGK40C	40" Crescents Lower Grille Kit, Charcoal	
H3555	CLGK40SP	40" Crescents Lower Grille Kit, Satin Pewter	

“Sunrise” Grille Kits			
Cat. No.	Model	Description	Model Series
H3573	SUGK40C	40" Sunrise Upper Grille Kit, Charcoal	EDVST
H3575	SUGK40SP	40" Sunrise Upper Grille Kit, Satin Pewter	
H3577	SLGK40C	40" Sunrise Lower Grille Kit, Charcoal	
H3579	SLGK40SP	40" Sunrise Lower Grille Kit, Satin Pewter	



Arch Screen Panel Kit
40" Decorative Arch Screen Panel Kit - Textured Iron

Model No.
DASPK40TI

Catalog No.
H3594

This screen panel kit can be installed on the glass enclosure panel to prevent direct contact with the hot glass surface. The panel kit adds a new design choice with a handsome textured iron finish. The screen panel kit cannot be used in conjunction with either of the arch door kits or door frame kits.




LIGHTING INSTRUCTIONS – MILLIVOLT GAS VALVE

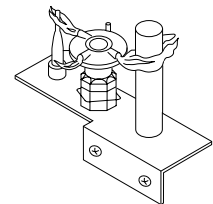
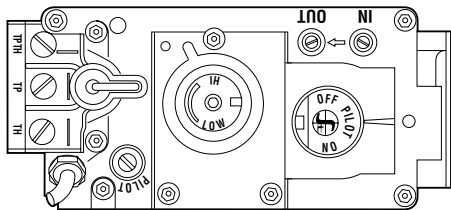
FOR YOUR SAFETY READ BEFORE LIGHTING

WARNING: IF YOU DO NOT FOLLOW THESE INSTRUCTIONS EXACTLY, A FIRE OR EXPLOSION MAY RESULT CAUSING PROPERTY DAMAGE, PERSONAL INJURY OR LOSS OF LIFE.

- A.** This appliance has a pilot which must be lighted with a piezo ignitor. When lighting the pilot, follow these instructions exactly.
- B. BEFORE OPERATING** smell all around the appliance area for gas. Be sure to smell next to the floor because some gas is heavier than air and will settle on the floor.
- WHAT TO DO IF YOU SMELL GAS**
- Extinguish any open flame.
 - Open windows.
 - Do not light any appliance.
 - Do not touch any electrical switches.
 - Do not use any phone in your building.
 - Immediately call your gas supplier from a neighbor's phone.
 - If your gas supplier cannot be reached, call the fire department.
- C.** Use only your hand to push in or turn the gas control knob. Never use tools. If the knob will not push in or turn by hand, do not try to repair it, call a qualified service technician. Force or attempted repair may result in a fire or an explosion.
- D.** Do not use this appliance if any part has been under water. Immediately call a qualified service technician to inspect the appliance and to replace any part of the control system and any gas control which has been under water.


LIGHTING INSTRUCTIONS

- 1. STOP!** Read the safety information above on this page.
2. Access the lower control compartment.
3. Turn remote wall switch to "OFF."
4. Verify main line shut-off valve is open.
5. Push in gas control knob slightly and turn clockwise to "OFF."

6. Wait five (5) minutes to clear out any gas. If you then smell gas, STOP! Follow "B" in the safety information above on this page. If you do not smell gas, go to the next step.
7. Push in gas control knob slightly and turn counterclockwise to "PILOT."

8. Push in control knob all the way and hold in. Immediately light the pilot by triggering the spark ignitor (pushing the button) until pilot lights. Continue to hold the control knob in for about 1 ½ minutes after the pilot is lit. Release knob and it will pop back up. Pilot should remain lit. If it goes out, repeat steps 5 through 8.
 - If knob does not pop up when released, stop and immediately call your service technician or gas supplier.
 - If pilot will not stay lit after several tries, turn the control knob to "OFF" and call your service technician or gas supplier.
9. Turn gas control knob counterclockwise to "ON."

10. Close lower control compartment.



Note: Knob cannot be turned from "PILOT" to "OFF" unless the knob is pushed in slightly. Do not force.

TO TURN OFF GAS TO APPLIANCE

1. Turn remote wall switch "OFF." The pilot will remain lit for normal service.
2. For complete shutdown, turn remote wall switch to "OFF."
3. Access the lower control compartment.
4. Depress gas control knob slightly and turn clockwise to "OFF." Do not force.

5. Close lower control compartment.

INSTRUCTIONS D'ALLUMAGE – VANNE GAZ MILLIVOLT

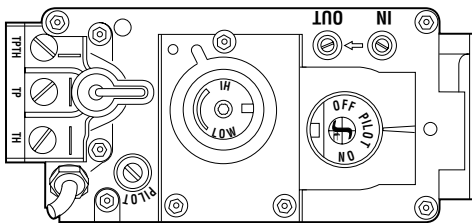
POUR VOTRE SÉCURITÉ, LISEZ CES INSTRUCTIONS AVANT L'ALLUMAGE

AVERTISSEMENT : SI VOUS NE SUIVEZ PAS CES INSTRUCTIONS À LA LETTRE, IL POURRAIT S'EN SUIVRE UN INCENDIE OU UNE EXPLOSION CAUSANT DES DOMMAGES MATÉRIELS, DES BLESSURES CORPORELLES OU MÊME DES PERTES DE VIE.

- A.** Cet appareil est muni d'une veilleuse qui doit être allumée avec un allumeur piézo-électrique. Lorsque vous allumez la veilleuse, suivre exactement ces instructions.
- B. AVANT L'ALLUMAGE:** Assurez-vous que vous ne détectez aucune odeur de gaz autour de l'appareil ainsi que près du sol; certains gaz, étant plus lourds que l'air, descendent au niveau du sol.
VOICI CE QUE VOUS DEVEZ FAIRE SI VOUS DÉCELEZ UNE ODEUR DE GAZ:
- Éteignez toute flamme visible.
 - Ouvrez les fenêtres.
 - N'allumez aucun appareil.
 - Ne touchez à aucun commutateur électrique.
 - Ne vous servez d'aucun téléphone dans votre édifice.
- Appelez immédiatement votre compagnie de gaz en utilisant le téléphone du voisin.
 - S'il vous est impossible de contacter votre compagnie de gaz, appelez le service des incendies.
- C.** N'utilisez que votre main pour manipuler le bouton de réglage du gaz. N'utilisez jamais d'outils. Si le bouton refuse de tourner ou de bouger, n'essayez pas de le réparer. Communiquez immédiatement avec un technicien de service qualifié. Toute tentative pour le forcer ou le réparer, risquerait de provoquer un incendie ou une explosion.
- D.** Ne vous servez pas de cet appareil si l'un de ses éléments a été immergé dans l'eau. Appelez immédiatement un technicien compétent pour faire inspecter l'appareil et remplacer toute pièce du système de réglage ou commande du gaz qui a été sous l'eau.

INSTRUCTIONS D'ALLUMAGE

- 1. ARRÊTEZ!** Lisez les consignes de sécurité au verso de cette plaque.
- Ouvrez le compartiment de contrôle du bas.
- Tournez l'interrupteur mural à la position d'arrêt "OFF".
- Assurez-vous que la soupape d'arrêt de la canalisation principale est ouverte.
- Enfoncez légèrement le bouton de réglage du gaz et tournez-le dans le sens des aiguilles d'une montre jusqu'à la position d'arrêt "OFF".



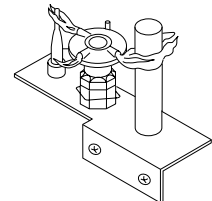
Remarque: Il est impossible de tourner le bouton de "PILOT" à "OFF" à moins qu'il ne soit légèrement enfoncé. Ne le forcez pas.

6. Attendez cinq (5) minutes pour l'évacuation du gaz. Si vous décelez une odeur de gaz, ARRÊTEZ ! Retournez au point "B" des consignes de sécurité au verso de cette plaque. Si vous ne remarquez aucune odeur de gaz, passez à l'étape suivante.
7. Enfoncez légèrement le bouton de réglage du gaz et tournez-le en sens inverse des aiguilles d'une montre jusqu'à la position de veilleuse "PILOT".

8. Enfoncez le bouton de réglage jusqu'au fond et gardez-le enfoncé. Allumez immédiatement la veilleuse en déclenchant l'allume-gaz à étincelle (en poussant le bouton) jusqu'à ce que la veilleuse s'enflamme. Continuez de tenir le bouton de réglage enfoncé pendant environ 90 secondes après l'allumage de la veilleuse. Relâchez le bouton et il sortira subitement. La veilleuse devrait rester allumée. Si elle s'éteint, répétez les étapes 5 à 8 inclusivement.

• Si le bouton ne sort pas automatiquement après avoir été relâché, arrêtez immédiatement et téléphonez à votre technicien de service ou à votre fournisseur de gaz.

• Si la veilleuse refuse de rester allumée après plusieurs tentatives, tournez le bouton de réglage jusqu'à sa position d'arrêt "OFF" et téléphonez à votre technicien de service ou à votre fournisseur de gaz.



9. Tournez le bouton de réglage du gaz en sens inverse des aiguilles d'une montre jusqu'à sa position de marche "ON".
10. Fermez le compartiment de contrôle du bas.
11. Au besoin, rebrancher l'appareil au courant électrique et remettre l'interrupteur du brûleur principal à la position "ON" ou régler le thermostat à la température désirée.
12. Si l'appareil ne fonctionne pas, suivre les instructions intitulées "Pour fermer le gaz qui alimente l'appareil" et appeler un technicien ou le fournisseur de gaz.

POUR FERMER LE GAZ QUI ALIMENTE L'APPAREIL

1. Tournez l'interrupteur mural à la position d'arrêt "OFF". La veilleuse restera allumée jusqu'au retour du service normal.
2. Pour une fermeture complète, tournez l'interrupteur mural à la position d'arrêt "OFF".
3. Ouvrez le compartiment de contrôle du bas.
4. Enfoncez légèrement le bouton de réglage du gaz et tournez-le dans le sens des aiguilles d'une montre jusqu'à la position d'arrêt "OFF". Ne forcez pas le bouton.
5. Fermez le compartiment de contrôle du bas.

LIGHTING INSTRUCTIONS — ELECTRONIC

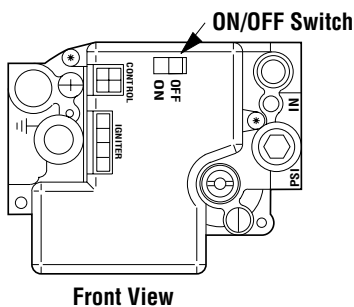
FOR YOUR SAFETY READ BEFORE LIGHTING

WARNING: IF YOU DO NOT FOLLOW THESE INSTRUCTIONS EXACTLY, A FIRE OR EXPLOSION MAY RESULT CAUSING PROPERTY DAMAGE, PERSONAL INJURY OR LOSS OF LIFE.

- A.** When lighting the appliance, follow these instructions exactly.
- B. BEFORE OPERATING** smell all around the appliance area for gas. Be sure to smell next to the floor because some gas is heavier than air and will settle on the floor.
- WHAT TO DO IF YOU SMELL GAS**
- Extinguish any open flame.
 - Open windows.
 - Do not light any appliance.
 - Do not touch any electrical switches.
 - Do not use any phone in your building.
 - Immediately call your gas supplier from a neighbor's phone.
 - If your gas supplier cannot be reached, call the fire department.
- C.** Use only your hand to turn the gas control lever. Never use tools. If the lever will not turn by hand, do not try to repair it, call a qualified service technician. Force or attempted repair may result in a fire or an explosion.
- D.** Do not use this appliance if any part has been under water. Immediately call a qualified service technician to inspect the appliance and to replace any part of the control system and any gas control which has been under water.

LIGHTING INSTRUCTIONS

- 1. STOP!** Read the safety information above on this page.
- Turn remote wall switch to "OFF."
- Open lower control compartment door.
- Verify main line shut-off valve is open.
- Turn the ON/OFF switch to "OFF". Do not force.
- Wait five (5) minutes to clear out any gas. If you then smell gas, STOP! Follow "B" in the safety information above on this page. If you do not smell gas, go to the next step.
- Turn the ON/OFF switch to "ON". Do not force.
- Turn "ON" all electrical power to appliance (remote wall or appliance switch).
- Close lower control compartment door.



TO SHUT OFF

- Turn off all electrical power to the appliance (remote wall switch).

TO TURN OFF GAS TO APPLIANCE

- For complete shut-down, turn remote wall switch to "OFF."
- Open lower control compartment door.
- Turn the ON/OFF switch to "OFF". Do not force.
- Close the main line shut-off valve.
- Close lower control compartment door.

INSTRUCTIONS D'ALLUMAGE — ELECTRONIC

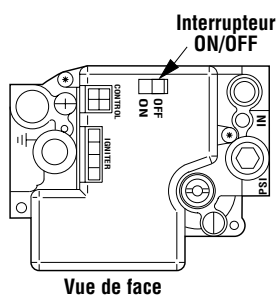
POUR VOTRE SÉCURITÉ, LISEZ CES INSTRUCTIONS AVANT L'ALLUMAGE

AVERTISSEMENT: SI VOUS NE SUIVEZ PAS CES INSTRUCTIONS À LA LETTRE, IL POURRAIT S'EN SUIVRE UN INCENDIE OU UNE EXPLOSION CAUSANT DES DOMMAGES MATÉRIELS, DES BLESSURES CORPORELLES OU MÊME DES PERTES DE VIE.

- A.** Lorsque vous allumez l'appareil, suivez exactement ces instructions.
- B. AVANT L'ALLUMAGE:** Assurez-vous que vous ne détectez aucune odeur de gaz autour de l'appareil ainsi que près du sol; certains gaz, étant plus lourds que l'air, descendent au niveau du sol.
- VOICI CE QUE VOUS DEVEZ FAIRE SI VOUS DÉCELEZ UNE ODEUR DE GAZ**
- Éteignez toute flamme visible.
 - Ouvrez les fenêtres.
 - N'allumez aucun appareil.
 - Ne touchez à aucun commutateur électrique.
 - Ne vous servez d'aucun téléphone dans votre édifice.
- C.** N'utilisez que votre main pour manipuler l'interrupteur "ON/OFF" de la valve à gaz. N'utilisez jamais d'outils. Si l'interrupteur ne bouge pas manuellement, n'essayez pas de le réparer. Communiquez immédiatement avec un technicien de service qualifié. Toute tentative pour forcer l'interrupteur ou le réparer, risquerait de provoquer un incendie ou une explosion.
- D.** Ne vous servez pas de cet appareil si l'un de ses éléments a été immergé dans l'eau. Appelez immédiatement un technicien compétent pour faire inspecter l'appareil et remplacer toute pièce du système de réglage ou commande du gaz qui a été sous l'eau.
- E.** Appelez immédiatement votre compagnie de gaz en utilisant le téléphone du voisin.
- F.** S'il vous est impossible de contacter votre compagnie de gaz, appelez le service des incendies.

INSTRUCTIONS D'ALLUMAGE

- 1. ARRÊTEZ !** Lisez les consignes de sécurité au verso de cette plaque.
2. Tournez l'interrupteur mural à la position d'arrêt "OFF".
3. Ouvrez la porte du compartiment de contrôle du bas.
4. Assurez-vous que la soupape d'arrêt de la canalisation principale est ouverte.
5. Tournez la manette de réglage du gaz à la position d'arrêt "OFF".
6. Attendez cinq (5) minutes pour l'évacuation du gaz. Si vous décelez une odeur de gaz ARRÊTEZ ! Retournez au point "B" des consignes de sécurité au verso de cette plaque. Si vous ne remarquez aucune odeur de gaz, passez à l'étape suivante.
7. Tournez la manette de réglage du gaz jusqu'à la position de marche "ON". Ne la forcez pas.
8. Ouvrez le courant électrique ("ON") qui alimente l'appareil (interrupteur mural ou l'appareil).
9. Fermez la porte du compartiment de contrôle du bas.
10. Au besoin, rebrancher l'appareil au courant électrique et remettre l'interrupteur principal du brûleur à la position "ON" ou régler le thermostat à la température désirée.
11. Si l'appareil ne se met pas en marche, suivre les instructions intitulées "Pour fermer le gaz qui alimente l'appareil" et appeler un technicien ou le fournisseur de gaz.



Vue de face

POUR ÉTEINDRE L'APPAREIL

1. Coupez tout le courant électrique qui alimente l'appareil (interrupteur mural).

POUR FERMER LE GAZ QUI ALIMENTE L'APPAREIL

1. Pour une fermeture complète, tournez l'interrupteur mural à la position d'arrêt "OFF".
2. Ouvrez la porte du compartiment de contrôle du bas.
3. Tournez la manette de réglage du gaz à la position d'arrêt "OFF". Ne la forcez pas.
4. Fermez la soupape d'arrêt de la canalisation principale.
5. Fermez la porte du compartiment de contrôle du bas.

TROUBLESHOOTING THE MILLIVOLT GAS CONTROL SYSTEM

Note: Before troubleshooting, make sure that the appliance main line gas shut-off valve and the gas control valve are in the "OPEN" position and the burner ON/OFF switch is in the "ON" position.

Important: Valve system troubleshooting should only be accomplished by a qualified service technician.

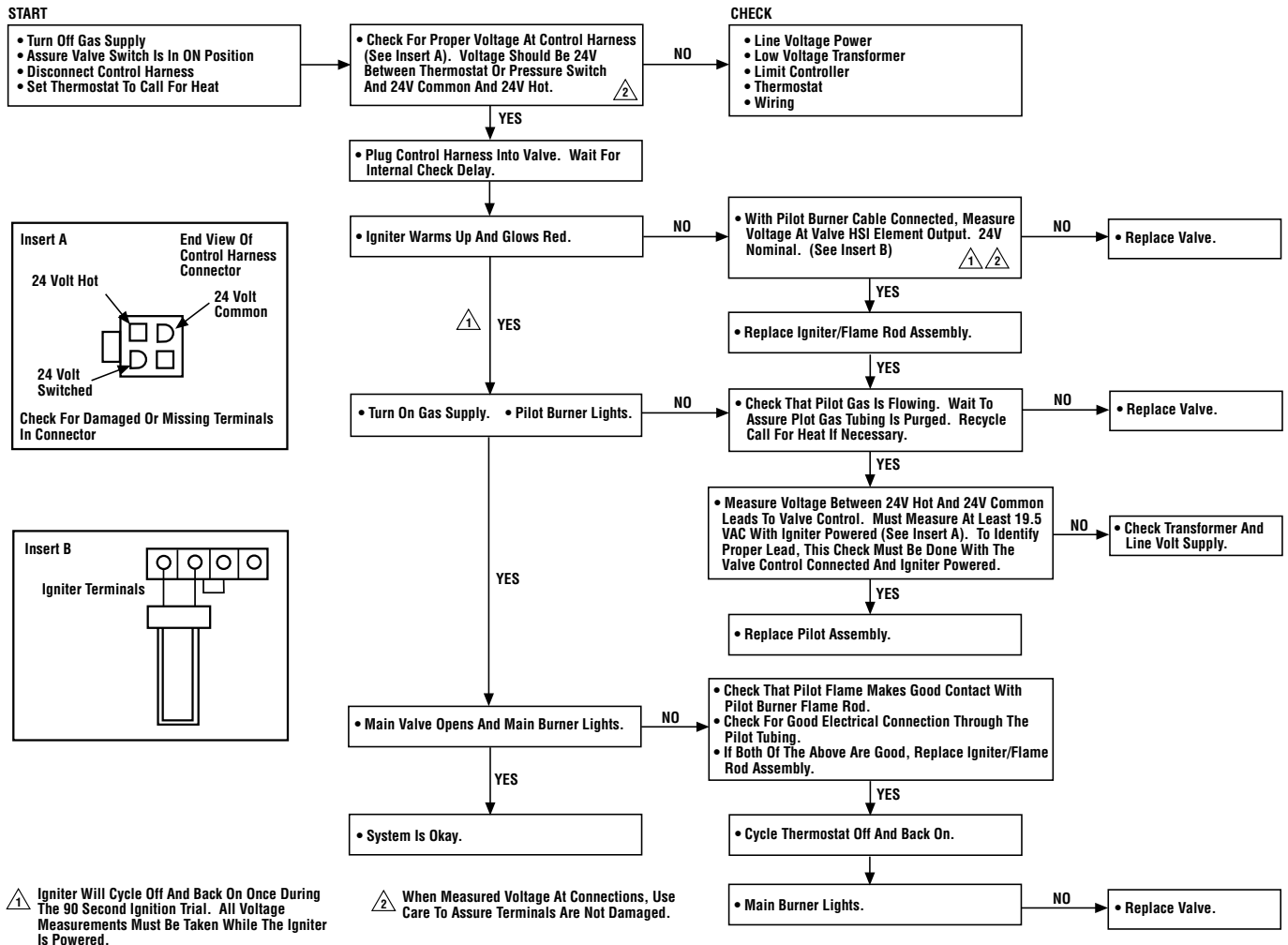
SYMPTOM	POSSIBLE CAUSES	CORRECTIVE ACTION
1. Spark ignitor will not light pilot after repeated triggering of ignitor button.	A. Defective ignitor (no spark at electrode).	Check for spark at electrode and pilot; if no spark and electrode wire is properly connected, replace ignitor.
	B. Defective or misaligned electrode at pilot (spark at electrode).	Using a match, light pilot. If pilot lights, turn off pilot and trigger the ignitor button again. If pilot lights, an improper gas mixture caused the bad lighting and a longer purge period is recommended. If pilot will not light – check gap at electrode and pilot – should be 1/8" to have a strong spark. If gap measures 1/8", replace pilot (Figure 9 on page 7).
	C. Gas supply pressure errant.	Check inlet gas pressure. It should be within the limits as marked on the rating plate.
	D. Pilot orifice plugged.	Clean or replace pilot orifice.
2. Pilot will not stay lit after carefully following the lighting instructions.	A. Defective pilot generator (thermocouple).	Check pilot flame, it must impinge on thermocouple (Figure 9 on page 7) Clean and/or adjust pilot for maximum flame impingement on thermocouple. Ensure that the connection between the valve and thermocouple are tight and secure.
3. Pilot burning, no gas to burner, Valve knob "ON," Wall Switch "ON."	A. Wall switch or wires defective.	Check wall switch and wires for proper connections. Jumper wire across terminals at wall switch, if burner comes on, replace defective wall switch. If okay, jumper wires across wall switch wires at valve, if burner comes on, wires are faulty or connections are bad.
	B. Thermopile may not be generating sufficient millivoltage.	Check thermopile with millivolt meter. Take reading at thermopile terminals of gas valve. Should read 325 millivolts minimum with optional wall switch "OFF." Replace faulty thermopile if reading is below specified minimum.
	C. Plugged burner orifice.	Check burner orifice for stoppage and remove.
4. Frequent pilot/burner outage problem.	A. Pilot flame may be too low or blowing (high) causing the pilot/valve safety to drop out.	Clean and/or adjust pilot flame for maximum flame impingement on thermocouple (Figure 9 on page 7).

TROUBLESHOOTING THE ELECTRONIC IGNITION SYSTEM

Note: Before troubleshooting, make sure that the appliance main line gas shut-off valve and the gas control valve are in the "OPEN" position and the burner ON/OFF switch is in the "ON" position.

Important: Valve system troubleshooting should only be accomplished by a qualified service technician.

SYMPTOM	POSSIBLE CAUSES	CORRECTIVE ACTION
1. Burner will not light.	A. Faulty Valve System.	See Below.
	B. "OFF/ON" or wall switch defective.	Disconnect the two black wires from the wire nuts. Test switch(s) for continuity with a multimeter. If continuity is not indicated, switch(s) is defective and must be replaced. Note: Before replacing "OFF/ON" switch, be sure to check wiring for loose connections or broken wires and repair as needed.
2. Burners come "ON" but go "OFF."	A. Burner orifice plugged.	Check main burner orifice(s) for stoppage. Clean or replace.
	B. Obstructed vent system.	Check vent system for obstructions.



REPLACEMENT PARTS LIST

No.	DESCRIPTION	Natural and Propane					
		Part No.	Qty.	Qty.	Qty.	Qty.	
			EDVST	EDVPF	EDVCL	EDVCR	
1a	Upper Radiant, charcoal - 24 in.	H3723	none	1	1	1	
1b	Upper Radiant, charcoal - 40 in.	H3722	2	2	1	1	
2a	Hood, Charcoal - 24 in.	98K95	none	1	1	1	
2b	Hood, Charcoal - 40 in.	97K52	2	2	1	1	
3a	Upper Bustle, charcoal - 24 in.	H3743	none	1	1	1	
3b	Upper Bustle, charcoal - 40 in.	H3741	2	2	1	1	
4a	Glass Enclosure Assembly - 24 in.	H3725	none	1	1	1	
4b	Glass Enclosure Assembly - 40 in.	H3724	2	2	1	1	
5a	Lower Bustle, charcoal - 24 in.	H3731	none	1	1	1	
5b	Lower Bustle, charcoal - 40 in.	H3729	2	2	1	1	
6a	Lower Radiant Assembly, charcoal - 24 in.	H3733	none	1	1	1	
6b	Lower Radiant Assembly, charcoal - 40 in.	H3732	2	2	1	1	
7	Nameplate (Brand)	12L15	2	2	1	1	
8	Log Set	55M04	1	1	1	1	
9	Ceramic Floor Panel	55M49 55M55 55M51 55M76	none 1 none none	1 none none none	none none 1 none	none none none 1	
10	Bag of Glowing Embers (Rockwool)	88L53	1	1	1	1	
11	Grate Assembly	H3358	1	1	1	1	
12	Magnet, Radiant Panel	H3876	2	4	3	3	
13	Burner Assembly	55M42	1	1	1	1	
14	Gasket, Burner Tray Mounting	19L51	1	1	1	1	
15	Gasket, Venturi Tube Mounting	43K85	1	1	1	1	
16	Venturi Tube Arm	42M80	1	1	1	1	
17a	Modesty Panel - PF, CL	Millivolt	H3386	none	1	1	none
17b		Electronic	H3385	none	1	1	none
17c	Modesty Panel - ST, CR	Millivolt	H3388	1	none	none	1
17d		Electronic	H3387	1	none	none	1
18	Latch, Glass Enclosure Panel	69L21	4	6	4	4	
19	Magnet, Latch, Spring-Loaded	69L31	2	2	1	1	
20	Switch, Rocker	80L41	1	1	1	1	
21	Air Shutter Adjustment Rod	H3707	1	1	1	1	
22	Flex Line Gas Connector	93L32	1	1	1	1	

REPLACEMENT PARTS

GAS CONTROLS — SIT MILLIVOLT

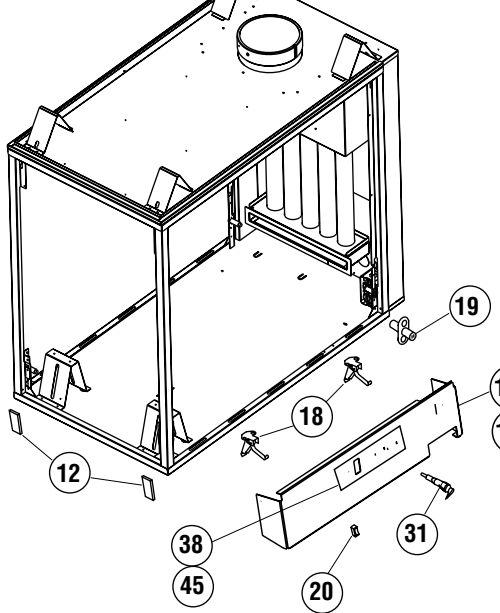
No.	DESCRIPTION	Natural		Propane	
		Part No.	Qty.	Part No.	Qty.
30.	Gas Valve - SIT	43K07	1	88J53	1
31.	Piezo Igniter	10K86	1	10K86	1
32.	Pilot Assembly	69L17	1	69L18	1
33.	Pilot Generator	60J79	1	60J79	1
34.	Thermocouple	74L57	1	74L57	1
35.	Pilot Tube	74L56	1	74L56	1
36.	Electrode And Cable	74L58	1	74L58	1
37.	Orifice	21L81	1	21L82	1
38.	Sticker (Modesty Panel)	31L22	1	31L22	1

GAS CONTROLS — HONEYWELL ELECTRONIC

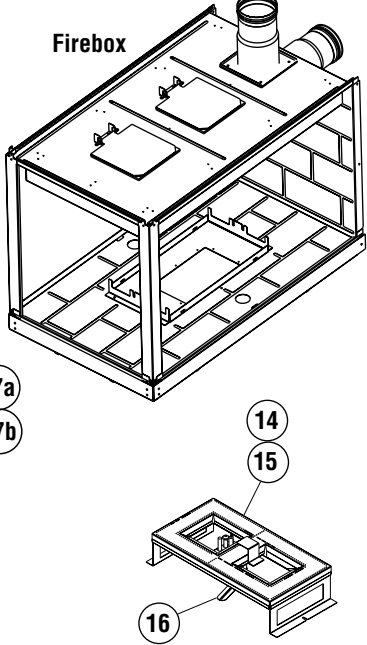
No.	DESCRIPTION	Natural	
		Part No.	Qty.
40.	Gas Valve - Honeywell	62L18	1
41.	Pilot Assembly	62L14	1
42.	Transformer	42J32	1
43.	Ignitor Assembly (Kit)	87L54	1
44.	Orifice	21L81	1
45.	Sticker (Modesty Panel)	69L50	1
46.	Pilot Tube	H3720	1

REPLACEMENT PARTS

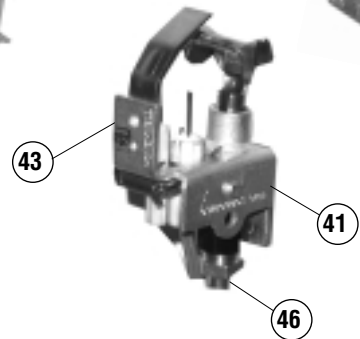
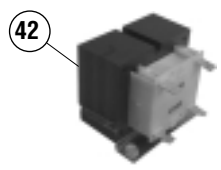
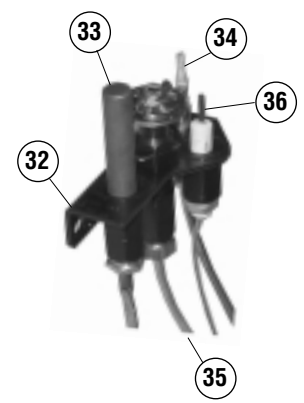
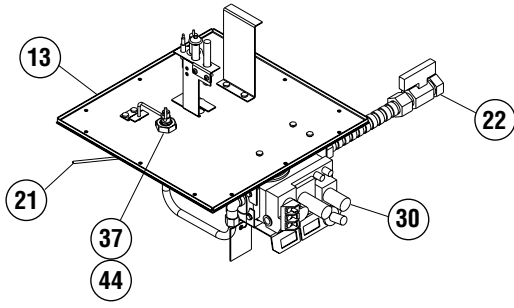
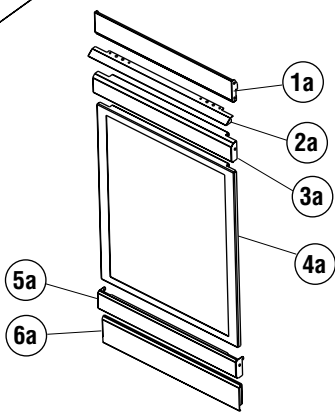
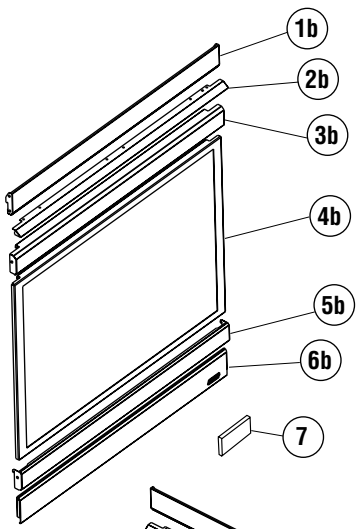
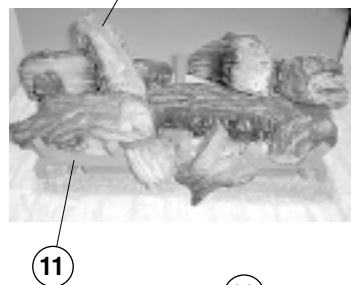
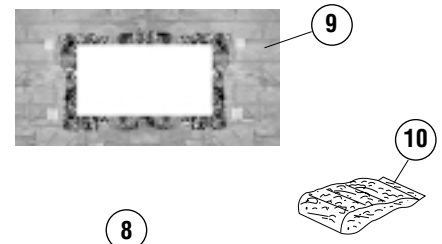
Cabinet



Firebox



EDVPF Shown - see table on page 20 and 21 for replacement parts applicable to EDVST, EDVCR and EDVCL



NOTE: DIAGRAMS & ILLUSTRATIONS NOT TO SCALE.

Lennox Hearth Products reserves the right to make changes at any time, without notice, in design, materials, specifications, prices and also to discontinue colors, styles and products. Consult your local distributor for fireplace code information.

