

This Owner's Manual is provided and hosted by [Appliance Factory Parts](#).



# Shop Vac WAIR-33 Owner's Manual

[Shop genuine replacement parts for Shop Vac WAIR-33](#)



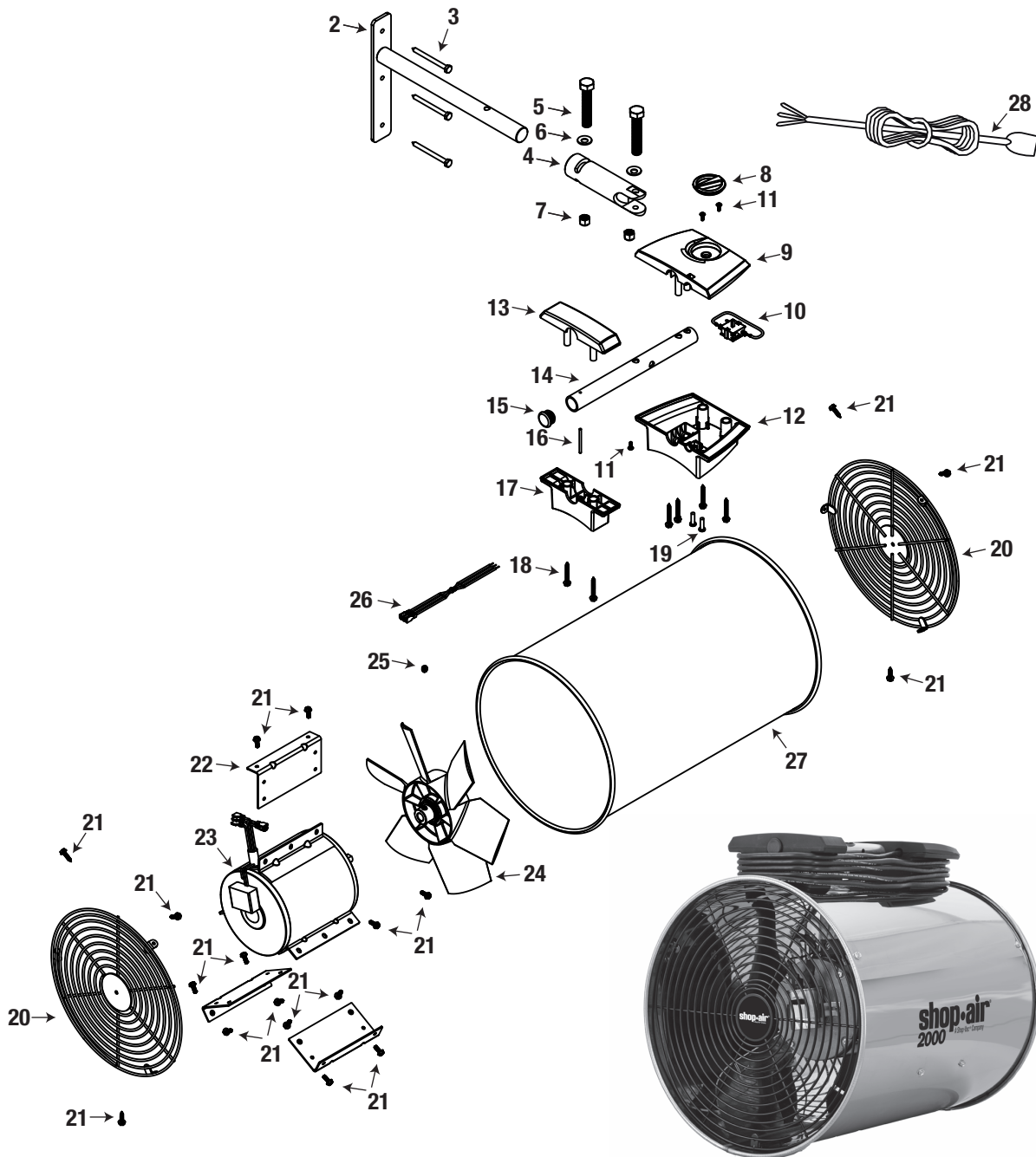
[Find Your Shop Vac Vacuum Cleaner Parts - Select From 498 Models](#)

----- Manual continues below part list -----

## Available Replacement Parts for Shop Vac WAIR-33

[1503999](#)

screw



ITEM	DESCRIPTION	PART NO.
1	Mounting Bracket Kit (Includes 2-7)	9042100
2	Mounting Bracket	1550330
3	1/4 x 3" Hex Head Lag Screw	6500799
4	Pivot Tube	1550331
5	3/8 - 16 x 2" Hex Head Bolt	0908499
6	Flat Washer	0703299
7	Hex Nut 3/8 x 16	1304899
8	Control Knob	4570901
9	Switch Box Cover	1945363
10	Switch	4571600
11	Screw #5 x 1/2" PH Flat Type A/AB	1518099
12	Switch Box	4572920
13	Cord Wrap Top	4573020
14	Handle	4573241
15	Handle Cap	1550325
16	Stop Pin	4030102
17	Cord Wrap Bottom	4573030
18	Screw #10 x 1 1/2 Type A or B	1504299
19	Screw #10 x 3/4 SL Hex Head	1503999
20	Grill	1945376
21	Screw 10-32 x 1/2 Type F	1518699
22	Motor Mount Bracket	4573304
23	Motor	1945371
24	Fan	4572320
25	Set Screw	2901399
26	Wiring Harness	3715150
27	Housing	4574795
28	Cord	2580100

\* Replacement Parts May Differ from Original Equipment.