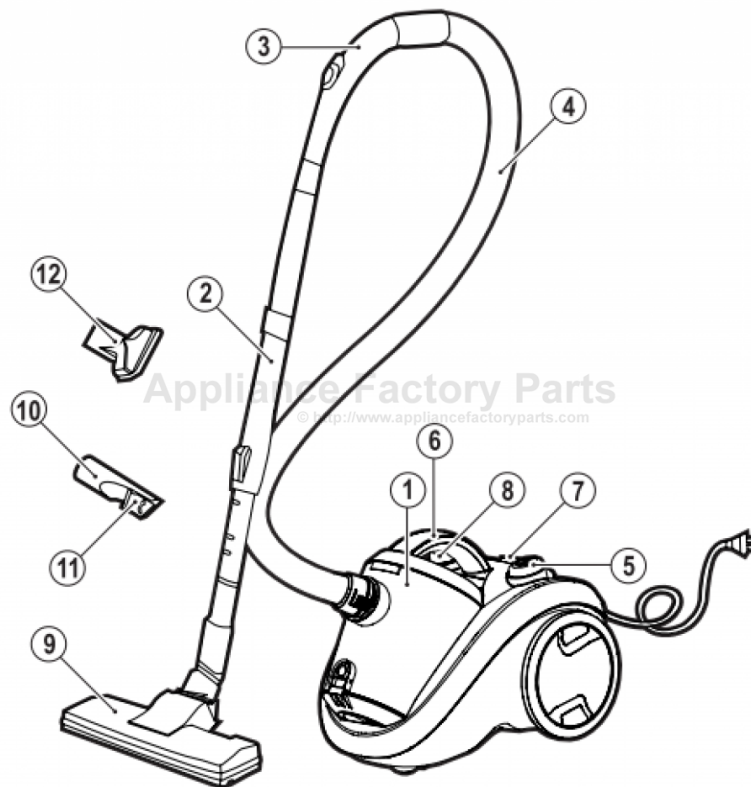


This Owner's Manual is provided and hosted by [Appliance Factory Parts](http://www.appliancefactoryparts.com).



Black & Decker VM1450 Owner's Manual

[Shop genuine replacement parts for Black & Decker VM1450](#)



[Find Your Black & Decker Vacuum Cleaner Parts - Select From 339 Models](#)

----- Manual continues below -----

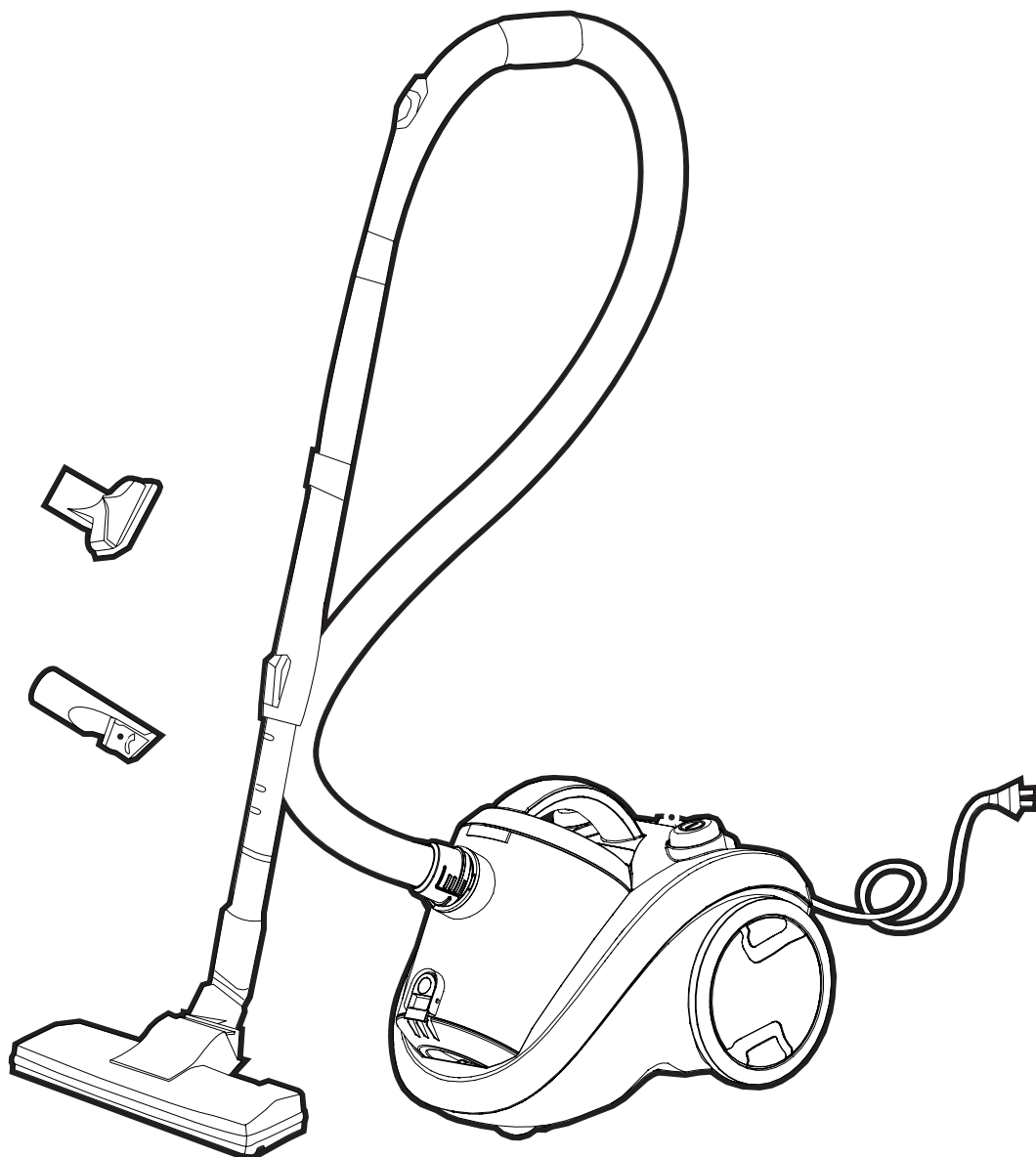


EN

FR

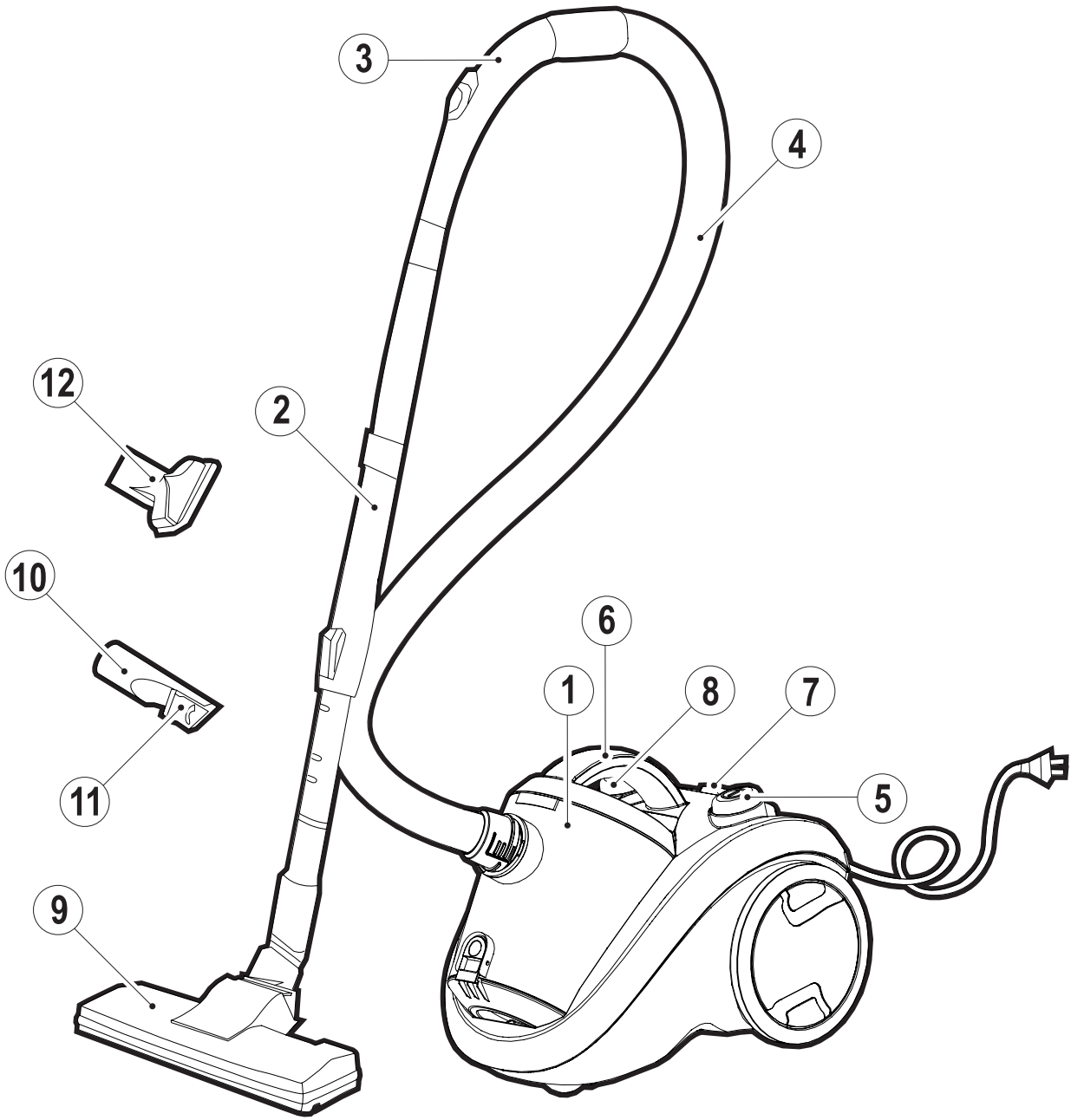
PT

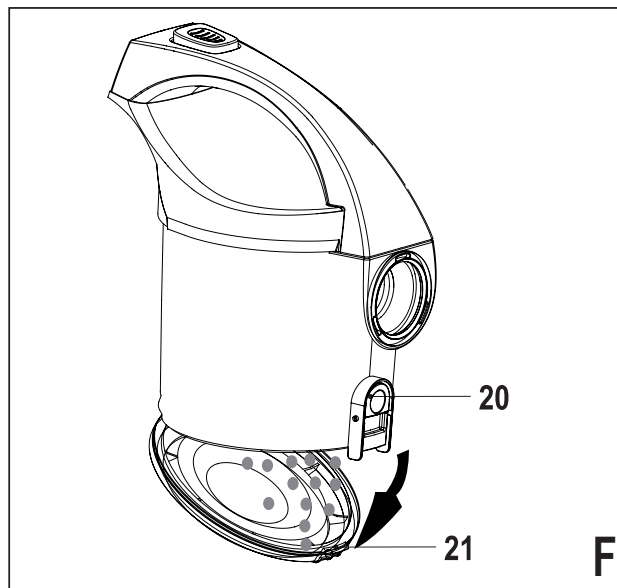
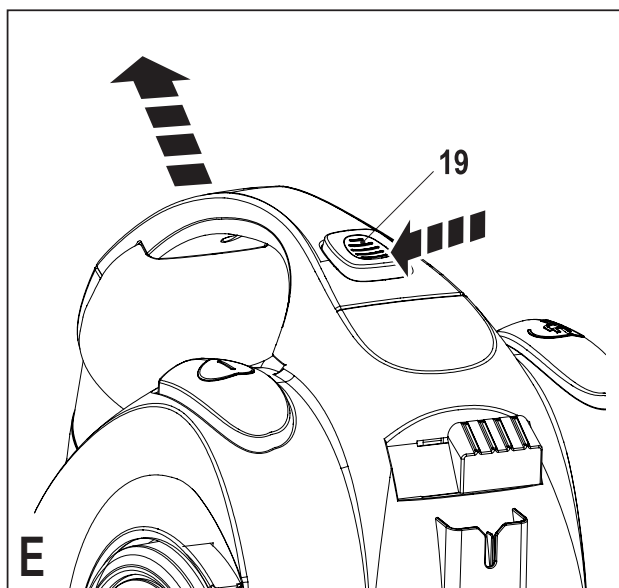
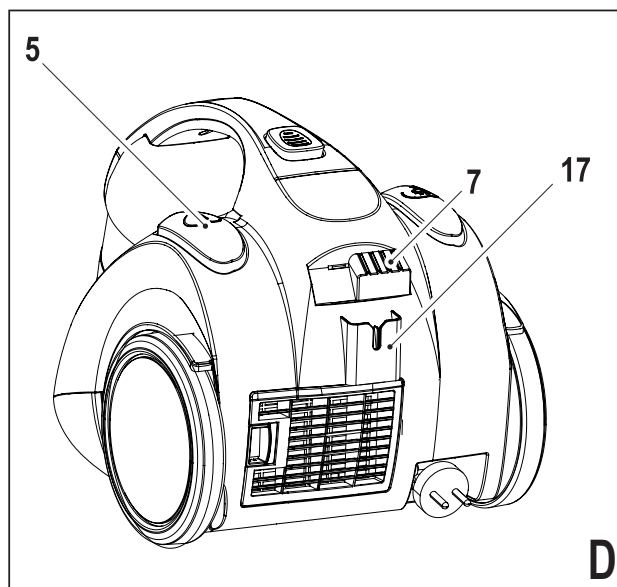
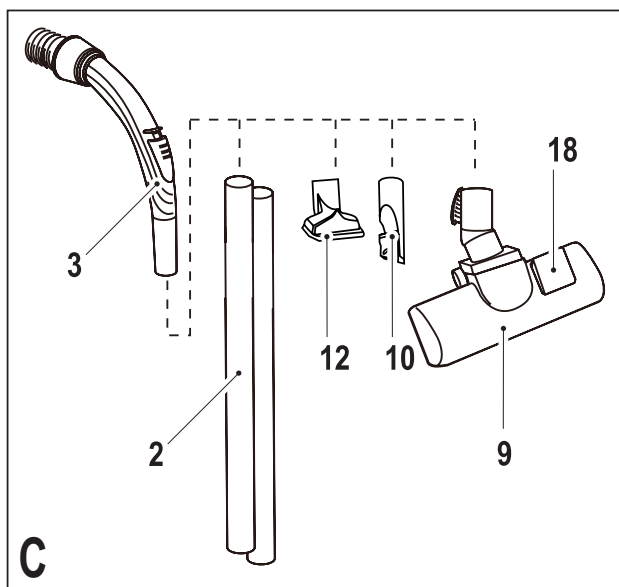
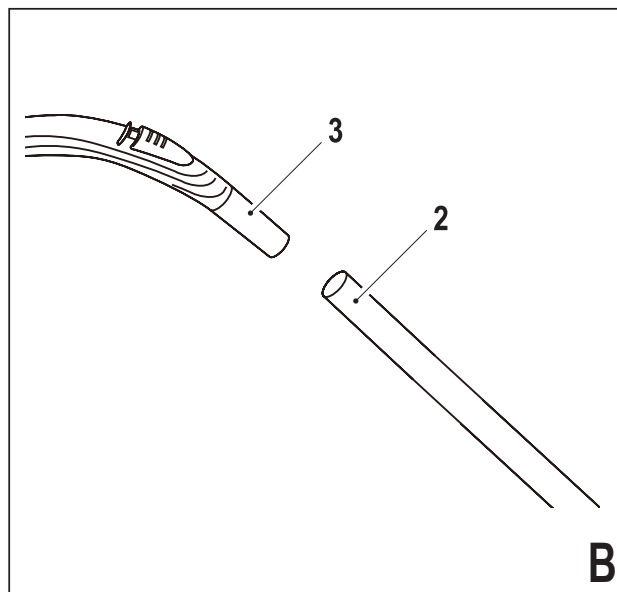
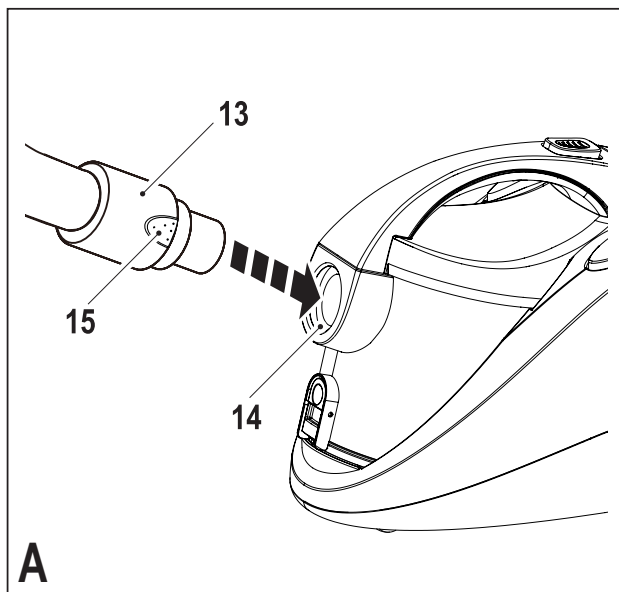
AR

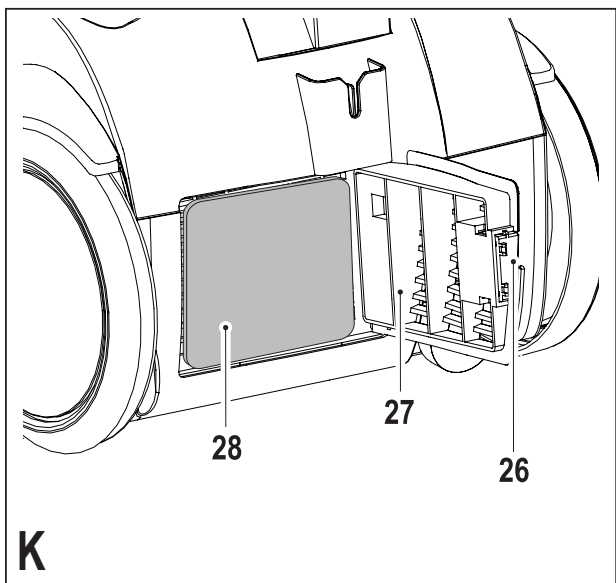
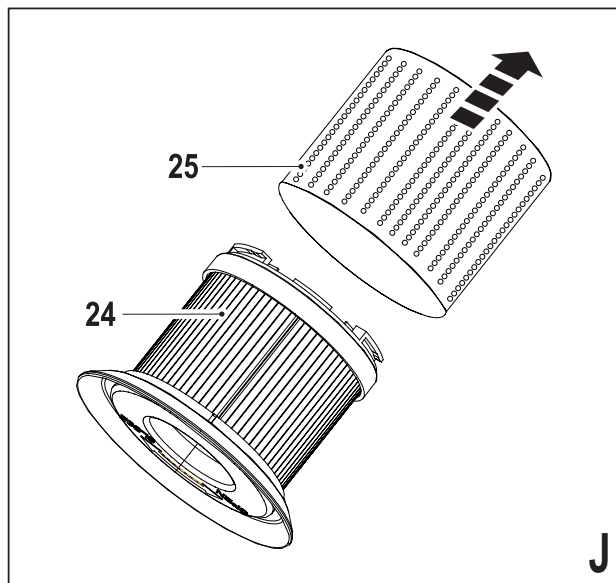
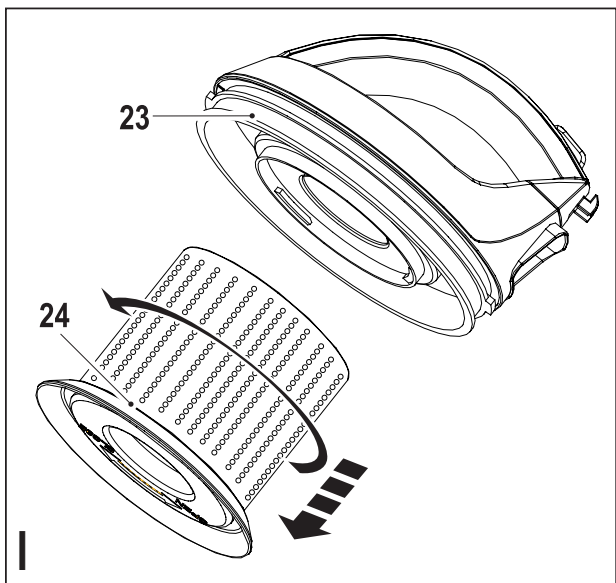
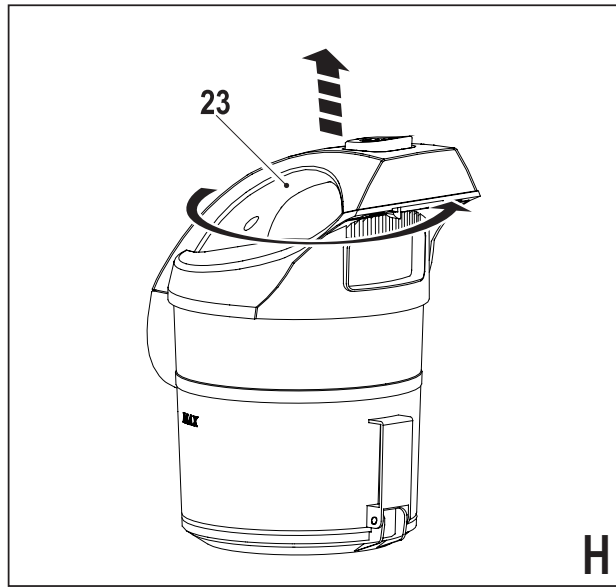
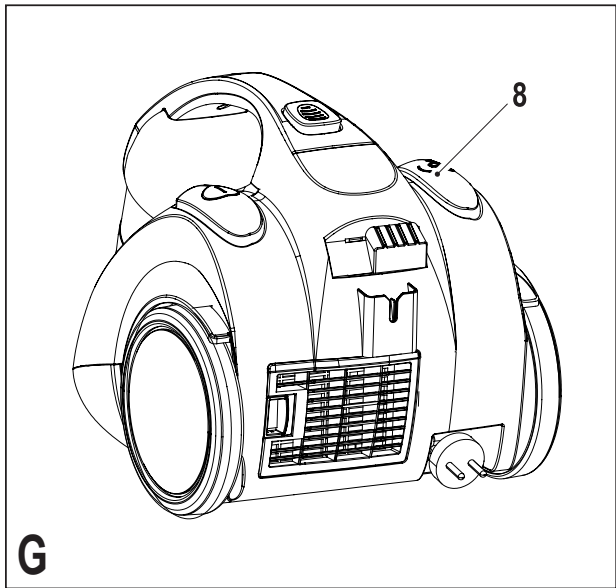


www.blackanddecker.ae

VM1450







Intended use

Your Black & Decker vacuum cleaner has been designed for dry vacuum cleaning purposes. This appliance is intended for consumer indoor use only.

Safety instructions



Warning! Read all safety warnings and all instructions. Failure to follow the warnings and instructions listed below may result in electric shock, fire and/or serious injury.

- Read all of this manual carefully before using the appliance.
- The intended use is described in this manual. The use of any accessory or attachment or the performance of any operation with this appliance other than those recommended in this instruction manual may present a risk of personal injury.
- Retain this manual for future reference.

Using your appliance

- Make sure that the appliance is switched off before connecting to or disconnecting from the power supply.
- Always take care when using the appliance.
- Do not use the appliance outdoors.
- Never pull the power supply cord to disconnect the plug from the socket. Keep the power supply cord away from heat, oil and sharp edges.
- If the power supply cord is damaged during use, disconnect the appliance from the power supply immediately. Do not touch the power supply cord before disconnecting from the power supply.

- Disconnect the appliance from the power supply when not in use, before fitting or removing parts and before cleaning.
- Do not immerse the appliance in water.

After use

- Switch off and remove the plug from the socket before leaving the appliance unattended and before changing, cleaning or inspecting any parts of the appliance.
- When not in use, the appliance should be stored in a dry place.
- Children should not have access to stored appliances.

Inspection and repairs

- Before use, check the appliance for damaged or defective parts. Check for breakage of parts, damage to switches and any other conditions that may affect its operation.
- Do not use the appliance if any part is damaged or defective.
- Have any damaged or defective parts repaired or replaced by an authorized repair agent.
- Before use, check the power supply cord for signs of damage, ageing and wear.
- Do not use the appliance if the power supply cord or mains plug is damaged or defective.
- If the power supply cord or mains plug is damaged or defective it must be repaired by the manufacturer or its service agent or a similarly qualified person in order to avoid a hazard. Do not cut the power supply cord and do not attempt to repair it yourself.

- Never attempt to remove or replace any parts other than those specified in this manual.

Additional safety instructions for vacuum cleaners

- Before use, always make sure that the filter or dust bag is correctly seated.
- Do not use the appliance to pick up any materials that could catch fire.
- Do not use the appliance to pick up any materials that are burning or smoking (matches, cigarettes, hot ash, etc.).
- Do not block the vents of the appliance.
- Avoid inhaling dust when emptying the appliance or the dustbag.
- Always keep the brush, crevice tool and other accessories away from the body whilst the unit is in operation.
- Always empty the product outside.
- Use extra care when cleaning stairs
- Always be aware of the position of the power cable and hose so as to avoid a tripping hazard during use.
- Keep the motor exhaust away from eyes and faces.
- Keep children and animals at a safe distance when using this appliance.
- Always work from bottom up when using the appliance on stairs, and keep the appliance at least a stair below your working position.
- Do not use the appliance without the suction head or another suitable accessory mounted to the tube.
- Keep your hair, clothing and gloves away from moving parts.

- Do not use damaged accessories.
- Use only Black & Decker accessories.
- Do not use the appliance on animals.
- Disconnect the product from the electrical supply before emptying, cleaning or carrying out any maintenance on the appliance.

Safety of others

- This appliance is not intended for use by persons (including children) with reduced physical, sensory or mental capabilities, or lack of experience and knowledge, unless they have been given supervision or instruction concerning the use of the appliance by a person responsible for their safety.
- Children should be supervised to ensure that they do not play with the appliance.

Electrical safety



This appliance is double insulated; therefore no earth wire is required. Always check that the power supply corresponds to the voltage on the rating plate.

Power plugs must match the outlet. Never modify the plug in any way. Unmodified plugs and matching outlets will reduce risk of electric shock.

- If the supply cord is damaged, it must be replaced by the manufacturer or an authorised Black & Decker Service Centre in order to avoid a hazard.

Features

This Appliance includes some or all of the following features.

1. Dust bowl
2. Extension tubes

3. Handle adaptor
4. Hose
5. On/off switch
6. Handle
7. Variable power control
8. Cord rewind
9. Floor head
10. Crevice tool
11. Flip down brush
12. Upholstery tool

Assembly

Connecting the hose (fig. A)

- Insert the hose connector (13) into the inlet (14) of the appliance.
- Press firmly until it clicks into place.

Disconnecting the hose (fig. A)

- Press and hold the hose release buttons (15).
- Pull the hose connector (13) out of the inlet (14) of the appliance.

Fitting the extension tubes (fig. B)

- Firmly push handle adaptor (3) in to the one of the extension tubes (2) then firmly push the additional extension tube onto the first extension tube.

Fitting accessories (fig. C)

The crevice tool (10) with flip down detail brush (11) allows for vacuuming in narrow and hard-to-reach places.

The upholstery tool (12) allows for vacuuming on furniture, blinds, curtains, windows and stairs.

The floor head (9) is used for dry vacuuming.

The accessories can be fit on both the handle adaptor (3) and the extension tubes (2).

- Firmly push the accessory onto the handle adaptor (3) or extension tube (2) as required.
- To remove an accessory, pull the accessory from the handle adaptor or the extension tube.

Note: When not in use the the floor head (9) can be stored on the floor head mount (17, fig D).

Use

Switching on and off (fig. D)

- To switch the appliance on, press the on/off switch (5).
- To switch the appliance off, press the on/off switch (5).

Variable power control (fig. D)

The variable power control allows you to select the required suction force for job to be performed.

- Slide the variable power control (7) left and right to the required setting.

Select minimum suction power for delicate materials.

Select medium suction power for mattresses, upholstered furniture and carpets.

Select maximum suction power for tiled, wood and other hard floors.

Vacuuming

- When operating the appliance, make sure that the hose is not trapped, twisted or blocked.

Note: When Vacuuming you should ensure that the filter is fitted.

Note: When Vacuuming on hard surfaces you can extend the brushes on the floor head by pressing down the brush release button (18, fig C).

Optimising the suction force

In order to keep the suction force optimised, the filters must be cleared regularly during use.

Emptying the dust bowl (fig. E & F)

- Press the dust bowl release lever (19).
- Lift the dust bowl (1) from the appliance.
- Hold the dust bowl over a bin.
- Press the dust cap release lever (20) and empty the dust bowl.
- Press the dust cap (21) back on until it clicks into place.
- Refit the dust bowl by placing the front end into the appliance then pressing firmly on the back end until it clicks into place.

Cord rewind (fig. G)

- Press and hold the cord rewind button (8).

Storing the appliance

Warning! When storing the appliance, switch the appliance off and unplug it.

- Store the appliance in a dry location. The appliance can be carried by the handle (6).

Maintenance

Your Black & Decker corded appliance has been designed to operate over a long

period of time with a minimum of maintenance. Continuous satisfactory operation depends upon proper tool care and regular cleaning.

Warning! Before performing any maintenance on corded appliances:

- Switch off and unplug the appliance.
- Regularly clean the ventilation slots in your appliance using a soft brush or dry cloth.
- Regularly clean the motor housing using a damp cloth. Do not use any abrasive or solvent-based cleaner.

Cleaning the filters (fig. H, I, J & K)

The Dust bowl may be cleaned with water by running it under a tap. All other components should be cleaned with a soft dry brush or damp cloth.

Cleaning the dust bowl filter (fig. H, I & J)

- Remove and empty the dust bowl.
- Twist the dust bowl end cap (23) anti clockwise.
- Lift off the dust bowl end cap.
- Twist the dust bowl filter (24) anti clockwise.
- Remove the dust bowl filter (24) from the end cap (23).
- Remove the filter cover (25) from the dust bowl filter (24).
- Brush all parts with with a soft brush or wipe with a damp cloth.

Warning! Ensure all parts are completely dry before reassembly.

- Refit the filter cover (25) onto the dust bowl filter (24).

- Refit the dust bowl filter (24) onto the end cap (23) by turning it clockwise.
- Place the dust bowl end cap (23) onto the dust bowl and twist it clockwise to lock into place.
- Refit the dust bowl to the appliance.

Cleaning the exhaust filter (fig. K)

- Press the exhaust filter cover release tab (26) to the right then pull the exhaust filter cover (27) off.
- Remove the Exhaust filter (28).
- Brush all parts with with a soft brush.

Warning! Ensure all parts are completely dry before reassembly.

- Refit the exhaust filter (28) then the exhaust filter cover (27).

Mains plug replacement (U.K. & Ireland only)

If a new mains plug needs to be fitted:

- Safely dispose of the old plug.
- Connect the brown lead to the live terminal in the new plug.
- Connect the blue lead to the neutral terminal.

Warning! Follow the fitting instructions supplied with good quality plugs.
Recommended fuse: 13A.

Technical data

VM1450 (Type 1)		
Voltage	V _{ac}	220 - 240V, 50-60Hz
Power	W	1200W IEC 1380W MAX
Weight	kg	4.3 kg

Protecting the environment



Separate collection. This product must not be disposed of with normal household waste.

Should you find one day that your Black & Decker product needs replacement, or if it is of no further use to you, do not dispose of it with household waste. Make this product available for separate collection.



Separate collection of used products and packaging allows materials to be recycled and used again. Reuse of recycled materials helps prevent environmental pollution and reduces the demand for raw materials.

- Local regulations may provide for separate collection of electrical products from the household, at municipal waste sites or by the retailer when you purchase a new product.
- Black & Decker provides a facility for recycling Black & Decker products once they have reached the end of their working life. This service is provided free of charge. To take advantage of this service, please return your product to any authorised repair agent who will collect them on our behalf.
- You can check the location of your nearest authorised repair agent by contacting your local Black & Decker office at the address indicated in this manual. Alternatively, a list of authorized Black & Decker repair agents and full details of our after-sales service and contacts are available on the Internet at: www.2helpU.com.

Warranty

Black & Decker is confident of the quality of its products and offers an outstanding warranty.

This warranty statement is in addition to and in no way prejudices your statutory rights.

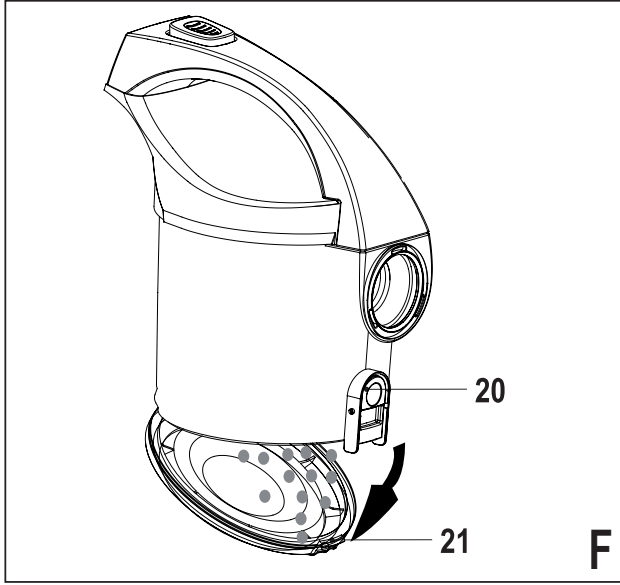
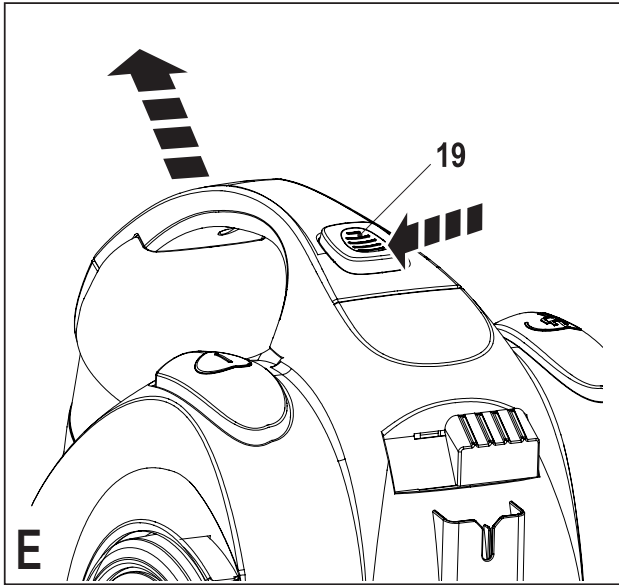
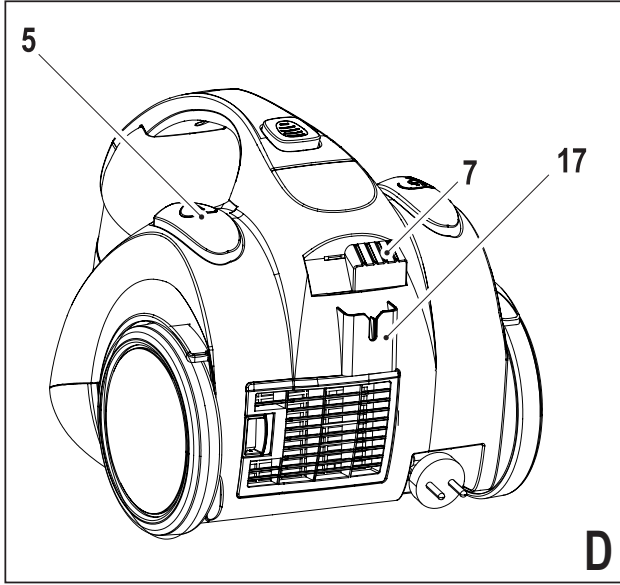
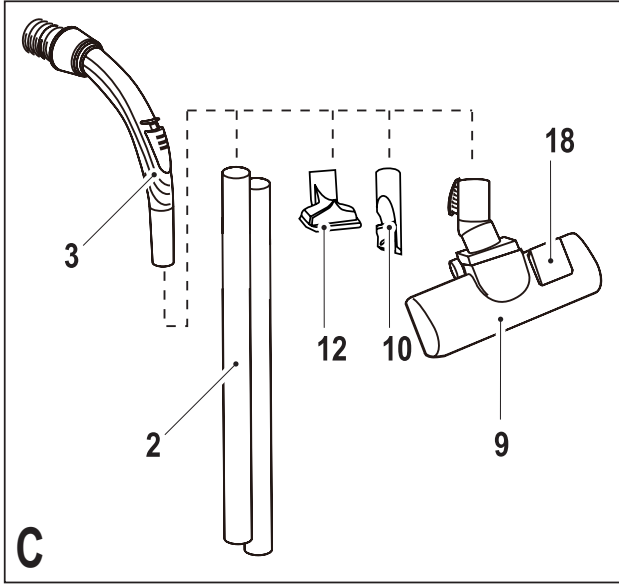
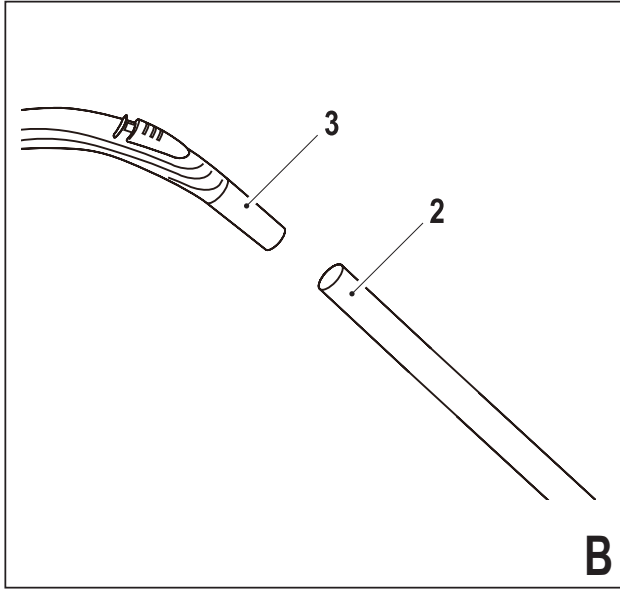
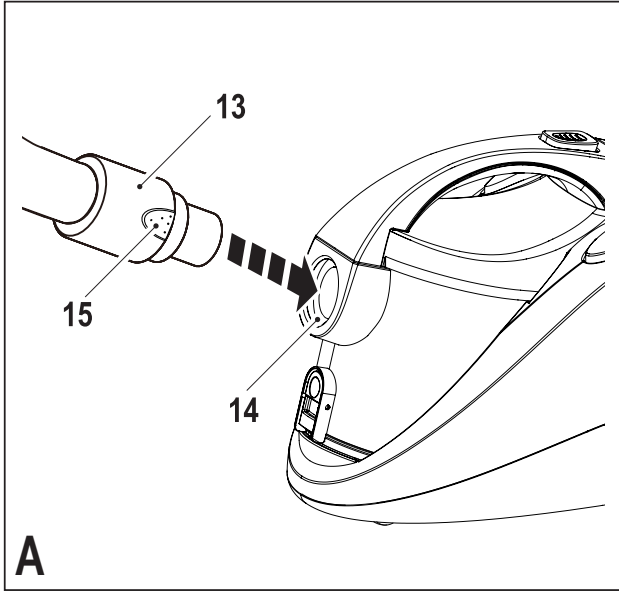
The warranty is valid within the territories of the Member States of the European Union and the European Free Trade Area.

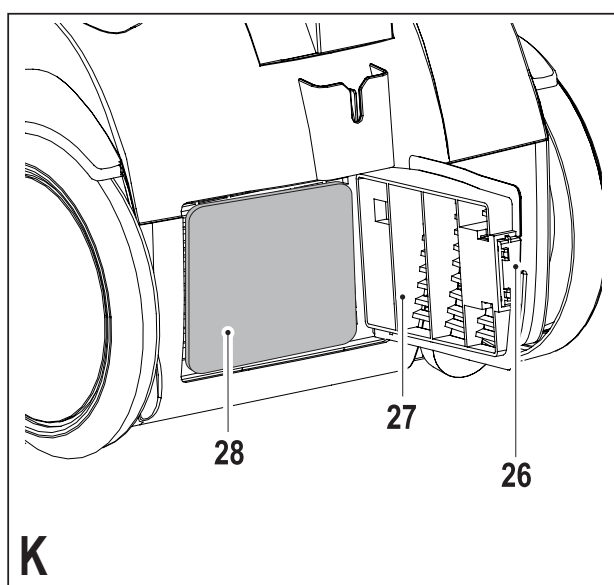
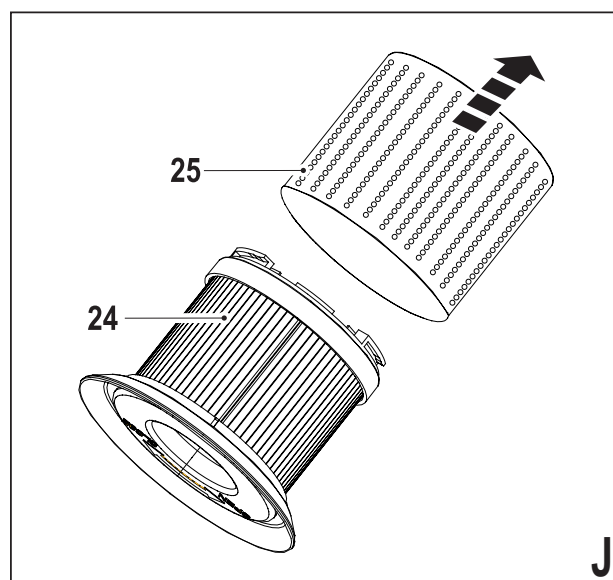
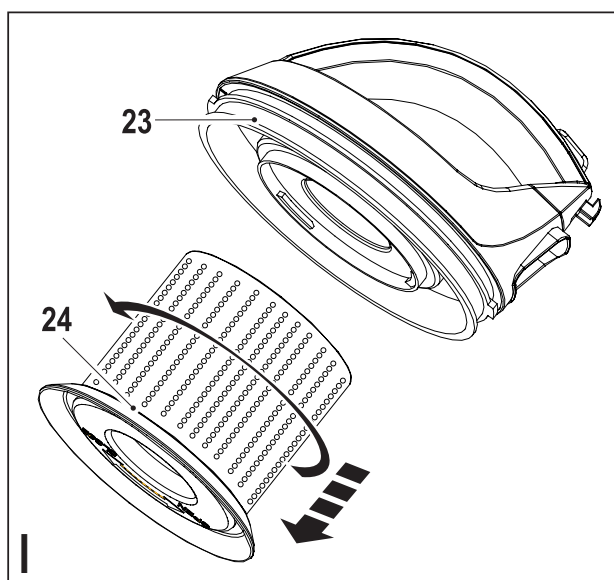
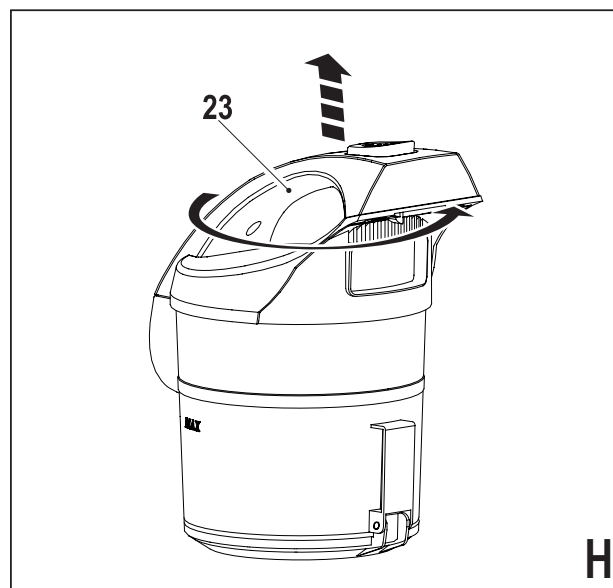
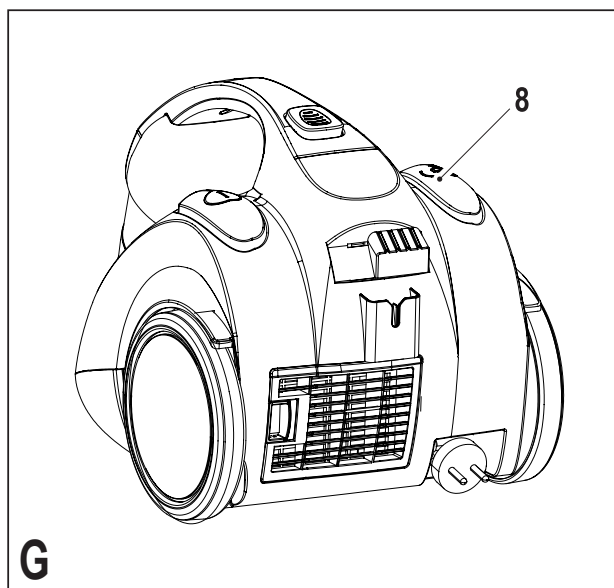
If a Black & Decker product becomes defective due to faulty materials, workmanship or lack of conformity, within 24 months from the date of purchase, Black & Decker warranty to replace defective parts, repair products subjected to fair wear and tear or replace such products to ensure minimum inconvenience to the customer unless:

- The product has been used for trade, professional or hire purposes;
- The product has been subjected to misuse or neglect;
- The product has sustained damage through foreign objects, substances or accidents;
- Repairs have been attempted by persons other than authorised repair agents or Black & Decker service staff.

To claim on the warranty, you will need to submit proof of purchase to the seller or an authorised repair agent. You can check the location of your nearest authorised repair agent by contacting your local Black & Decker office at the address indicated in this manual.

Alternatively, a list of authorised Black & Decker repair agents and full details of our after-sales service and contacts are available on the Internet at: www.2helpU.com.





Utilisation

Votre aspirateur Black & Decker est un système d'aspiration pour le nettoyage dans un environnement sec. Cet appareil est destiné à une utilisation domestique à l'intérieur seulement.

Consignes de sécurité



Attention ! Lisez attentivement toutes les consignes de sécurité et toutes les instructions. Si vous ne respectez pas les consignes de sécurité et les instructions ci-dessous vous vous exposez à un risque de décharge électrique, d'incendie et/ou de blessures graves.

- Lisez attentivement la totalité de ce manuel avant d'utiliser l'appareil.
- Les utilisations possibles sont décrites dans ce manuel. Si vous utilisez avec cet appareil un autre accessoire ou attachement, ou si vous vous en servez pour un autre usage que ceux recommandés dans ce manuel d'instructions, vous risquez de vous blesser.
- Conservez ce manuel pour toute référence ultérieure.

Comment utiliser votre appareil

- Vérifiez que l'interrupteur de l'appareil est sur Arrêt avant de le brancher ou de le débrancher de la prise électrique.
- Faites toujours attention quand vous utilisez l'appareil.
- N'utilisez pas l'appareil dehors.
- Ne tirez jamais sur le cordon d'alimentation pour débrancher la fiche. Veillez à ce que le cordon d'alimentation reste loin des sources de chaleur, de l'huile et des bords tranchants.
- Si le cordon d'alimentation est endommagé pendant l'utilisation, débranchez immédiatement l'appareil de la prise électrique. Ne touchez pas le cordon d'alimentation avant d'avoir débranché.

- Débranchez l'appareil de la prise électrique quand il n'est pas en service, avant de fixer ou d'enlever des pièces et avant de le nettoyer.
- N'immergez pas l'appareil dans l'eau.

Après utilisation

- Débranchez avant de vous éloigner de l'appareil en le laissant sans surveillance et avant de changer, nettoyer ou inspecter les pièces de l'appareil.
- Quand il n'est pas utilisé, l'appareil doit être rangé dans un endroit sec.
- Les enfants ne doivent pas avoir accès aux appareils qui sont rangés.

Inspection et réparations

- Avant de l'utiliser, vérifiez qu'aucune pièce de l'appareil n'est endommagée ou défectueuse. Vérifiez qu'aucune pièce n'est cassée, que les boutons interrupteurs sont en bon état et toute autre condition pouvant affecter son fonctionnement.
- N'utilisez pas l'appareil si une pièce est endommagée ou défectueuse.
- Faites réparer ou remplacer les parties endommagées ou défectueuses par un réparateur agréé.
- Avant utilisation, vérifiez que le cordon d'alimentation est en bon état et qu'il ne comporte aucun signe de vieillissement ni d'usure.
- Ne vous servez pas de l'appareil si le cordon d'alimentation ou la fiche secteur sont endommagés ou défectueux.
- Si le cordon d'alimentation ou la fiche secteur sont endommagés ou défectueux ils doivent être réparés par un réparateur agréé afin d'éviter tout risque d'accident. Ne coupez pas le cordon d'alimentation vous-même et n'essayez pas de le réparer vous-même.

- N'essayez jamais d'enlever ou de remplacer une pièce autre que celles spécifiées dans ce manuel.

Consignes de sécurité supplémentaires pour les aspirateurs

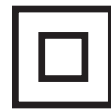
- Avant de l'utiliser, vérifiez toujours que le filtre ou le sac à poussière est correctement en place.
- N'utilisez pas l'appareil pour ramasser des matières inflammables.
- N'utilisez pas l'appareil pour ramasser des matières incandescentes ou qui fument (allumettes, cigarettes, cendres chaudes etc.).
- Ne bouchez pas et ne bloquez pas les ouvertures d'aération de l'appareil.
- Évitez de respirer la poussière quand vous videz l'appareil ou le sac à poussière.
- Gardez toujours la brosse, le suceur plat et les autres accessoires éloignés du corps quand l'unité est en marche.
- Vider toujours l'appareil à l'extérieur.
- Faites particulièrement attention quand vous nettoyez des escaliers.
- Veillez toujours à la position du câble d'alimentation et du tuyau flexible de façon à ne pas risquer de trébucher dessus.
- Gardez la soufflerie du moteur loin des yeux et du visage.
- Quand vous vous servez de l'appareil veillez à ce que les enfants et les animaux restent à distance.
- Aspirez toujours à partir du bas quand vous nettoyez des escaliers, et gardez l'appareil au moins une marche en dessous de vous.
- N'utilisez pas l'appareil sans une brosse d'aspiration ou un autre accessoire adéquat monté sur le tube.

- Vos cheveux, vos vêtements et vos gants doivent rester loin des parties mobiles.
- N'utilisez pas des accessoires endommagés.
- Utilisez uniquement les accessoires Black & Decker.
- N'utilisez pas l'appareil sur les animaux.
- Débranchez l'appareil de la prise secteur avant de le vider, le nettoyer ou procéder à la maintenance de l'appareil.

Sécurité des autres

- Cet appareil n'est pas prévu pour être utilisé par des personnes (y compris les enfants) avec des capacités physiques, sensorielles ou mentales réduites, ou un manque d'expérience et de connaissances, sauf si elles bénéficient, par l'intermédiaire d'une personne responsable de leur sécurité, d'une supervision ou d'instructions concernant l'utilisation de l'appareil.
- Surveillez les enfants pour assurer qu'ils ne jouent pas avec l'appareil.

Sécurité électrique



Cet appareil est doublement isolé, il n'y a donc pas besoin de faire une mise à la terre. Vérifiez si la tension de l'alimentation électrique est compatible avec la tension indiquée sur la plaque signalétique.

La fiche électrique doit correspondre à la prise secteur. Ne modifiez jamais la fiche de quelque façon que ce soit. Des fiches non modifiées et des prises adéquates réduiront le risque de décharge électrique.

- Si le cordon d'alimentation est endommagé ou défectueux il doit être réparé par un réparateur Black & Decker agréé afin d'éviter tout risque d'accident.

Description

Cet appareil comprend certaines ou toutes les caractéristiques suivantes:

1. Cuve à poussière
2. Tubes d'extension

3. Manche adaptateur
4. Tuyau flexible
5. Interrupteur Marche/Arrêt
6. Poignée
7. Réglage de la puissance
8. Enrouleur du cordon
9. Brosse pour le sol
10. Suceur plat
11. Brosse inclinable
12. Embout pour les tissus d'ameublement

Montage

Raccordement du tuyau flexible (fig. A)

- Insérez le raccord du tuyau flexible (13) dans l'orifice d'aspiration (14) de l'appareil.
- Pressez fermement jusqu'à se qu'il se clique en place.

Déconnexion du tuyau flexible (fig. A)

- Appuyez sur les boutons de dégagement du tuyau flexible (15) et en les maintenant pressés.
- Tirez le raccord du tuyau flexible (13) hors de l'orifice d'aspiration (14) de l'appareil.

Montage des tubes d'extension (fig. B)

- Poussez fermement le manche adaptateur (3) sur un des tubes d'extension (2) puis poussez fermement l'autre tube d'extension dans le premier tube d'extension.

Montage des accessoires (fig. C)

Le suceur plat (10) et la petite brosse inclinable (11) permettent d'aspirer dans les espaces étroits et les endroits d'accès difficile.

L'embout pour les tissus d'ameublement (12) permet d'aspirer les meubles capitonnés, les stores, les rideaux, les fenêtres et les escaliers.

La brosse pour le sol (9) est utilisée pour aspirer les surfaces sèches.

Les accessoires peuvent s'adapter sur le manche adaptateur (3) aussi bien que sur les tubes d'extension (2).

- Poussez fermement l'accessoire sur le manche adaptateur (3) ou sur le tube d'extension (2) comme requis.
- Pour enlever un accessoire, tirez l'accessoire hors du manche adaptateur ou du tube d'extension.

Remarque: Quand elle n'est pas utilisée la brosse pour le sol (9) peut se ranger sur le support de brosse (17, fig. D).

Fonctionnement

Mise en marche et arrêt (fig. D)

- Pour démarrer l'appareil, appuyez sur le bouton Marche/Arrêt (5).
- Pour arrêter l'appareil, appuyez sur le bouton Marche/Arrêt (5).

Réglage de la puissance (fig. D)

Le réglage de la puissance vous permet de sélectionner la force d'aspiration convenant au nettoyage que vous voulez faire.

- Faites glisser (7) la commande de puissance vers la droite ou vers la gauche suivant le réglage voulu.

Sélectionnez la puissance d'aspiration minimum pour les tissus délicats.

Sélectionnez la puissance d'aspiration moyenne pour les matelas, les meubles capitonnés et les tapis.

Sélectionnez la puissance d'aspiration maximum pour les parquets, les carrelages et autres sols durs.

Utilisation de l'aspirateur

- Quand vous vous servez de l'appareil, veillez à ce que le tuyau flexible ne soit pas coincé ni tordu ou bloqué.

Remarque: Quand vous passez l'aspirateur vous devez vous assurer que le filtre est bien en place.

Remarque: Quand vous passez l'aspirateur sur des surfaces lisses vous pouvez mettre la brosse pour le sol sur la position balai en appuyant sur le bouton (18, fig. C).

Optimisation de la force d'aspiration

Pour une force d'aspiration optimale, les filtres doivent être régulièrement nettoyés.

Vidage de la cuve (fig. E & F)

- Appuyez sur la manette de déverrouillage de la cuve (19).
- Soulevez la cuve (1) hors de l'appareil.
- Tenez la cuve au-dessus d'une poubelle.
- Appuyez sur le clip d'ouverture du couvercle (20) et videz la cuve.
- Refermez le couvercle (21) en appuyant jusqu'à ce qu'il se clique en place.
- Remettez la cuve en place en positionnant l'extrémité avant dans l'appareil puis en appuyant fermement sur l'extrémité arrière jusqu'à ce qu'elle se clique en place.

Enroulement du cordon (fig. G)

- Appuyez en le maintenant sur le bouton d'enroulement (8).

Rangement de l'appareil

Attention ! Quand vous rangez l'aspirateur, arrêtez-le et débranchez la prise électrique.

- Rangez l'appareil dans un endroit sec. Prenez l'appareil par la poignée (6) pour le porter.

Maintenance

Votre aspirateur filaire Black & Decker a été conçu pour fonctionner pendant longtemps avec un minimum de maintenance. Un fonctionnement continu satisfaisant dépend du bon entretien de l'appareil et d'un nettoyage régulier.

Attention ! Avant de faire la révision d'un appareil électrique filaire:

- Éteignez l'appareil et débranchez la fiche de la prise électrique.
- Nettoyez régulièrement les ouvertures d'aération de votre appareil avec une brosse douce ou un chiffon sec.
- Nettoyez régulièrement le boîtier du moteur avec un chiffon humide. N'utilisez pas de produit nettoyant abrasif ou à base de solvant.

Nettoyage des filtres (fig. H, I, J & K)

La cuve peut être nettoyée à l'eau courante. Toutes les autres pièces doivent être nettoyées avec une brosse douce sèche ou un chiffon humide.

Nettoyage du filtre de la cuve (fig. H, I & J)

- Enlevez et videz la cuve.
- Tournez le couvercle du fond de la cuve (23) dans le sens antihoraire.
- Soulevez le couvercle du fond de la cuve.
- Tournez le filtre de la cuve (24) dans le sens antihoraire.

- Enlevez le filtre de la cuve (24) du couvercle du fond de la cuve (23).
- Enlevez le couvercle du filtre (25) du filtre de la cuve (24).
- Brossez sur tous les côtés avec une brosse douce ou essuyez avec un chiffon humide.
- Connectez le fil brun à la borne de phase de la fiche neuve.
- Connectez le fil bleu à la borne neutre.

Attention ! Assurez-vous que toutes les pièces sont complètement sèches avant de les remettre en place.

- Remettez le couvercle du filtre (25) sur le filtre de la cuve (24).
- Remettez le filtre de la cuve (24) sur le couvercle du fond (23) en tournant dans le sens horaire.
- Placez le couvercle du fond (23) sur la cuve et tournez dans le sens horaire pour le verrouiller en place.

- Remettez la cuve sur l'appareil.

Nettoyage du filtre de la soufflerie (fig. K)

- Appuyez sur la languette du couvercle du filtre de la soufflerie (26) vers la droite puis soulevez le couvercle du filtre de la soufflerie (27).
- Enlevez le filtre de la soufflerie (28).
- Brossez sur tous les côtés avec une brosse douce.

Attention ! Assurez-vous que toutes les pièces sont complètement sèches avant de les remettre en place.

- Remettez le filtre de la soufflerie (28) en place puis le couvercle du filtre de la soufflerie (27).

Remplacement de la fiche secteur (Royaume-Uni et Irlande uniquement)

Si une nouvelle fiche secteur doit être installée:

- Jetez la fiche usagée en respectant les normes.

Fiche technique

VM1450 (Type 1)		
Tension	V _{ac}	220 - 240V, 05-60Hz
Puissanc	W	1200W IEC 1380W MAX
Poids	kg	4.3 kg

Protection de l'environnement



Tri sélectif. Ce produit ne doit pas être jeté avec les ordures ménagères.

Si vous devez remplacer votre produit Black & Decker, ou si vous ne vous en servez plus, ne le jetez pas avec les ordures ménagères. Débarrassez-vous de ce produit en respectant le tri sélectif.



Le tri sélectif permet de recycler les produits et les emballages et de les utiliser de nouveau. La réutilisation des matériaux recyclés aide à éviter la pollution de l'environnement et réduit la demande en matières premières.

- Il se peut que la réglementation locale offre un tri sélectif pour les appareils électroménagers, dans les déchetteries municipales ou le magasin où vous achetez un nouvel appareil.
- Black & Decker propose un service pour recycler les produits Black & Decker lorsqu'ils arrivent à la fin de leur vie. Ce service est offert gratuitement. Pour en profiter, veuillez amener votre produit chez un réparateur agréé qui le collectera pour le recyclage.
- Pour savoir où se trouve le réparateur agréé le plus proche contactez votre agence Black & Decker à l'adresse indiquée dans ce manuel. Sinon la liste des réparateurs agréés Black & Decker et les coordonnées de notre service après-vente et nos contacts sont disponibles sur internet à : www.2helpU.com.

Garantie

Black & Decker est confiant dans la qualité de ses produits et vous offre une garantie très étendue.

Ce certificat de garantie est un document supplémentaire et ne peut en aucun cas se substituer à vos droits légaux.

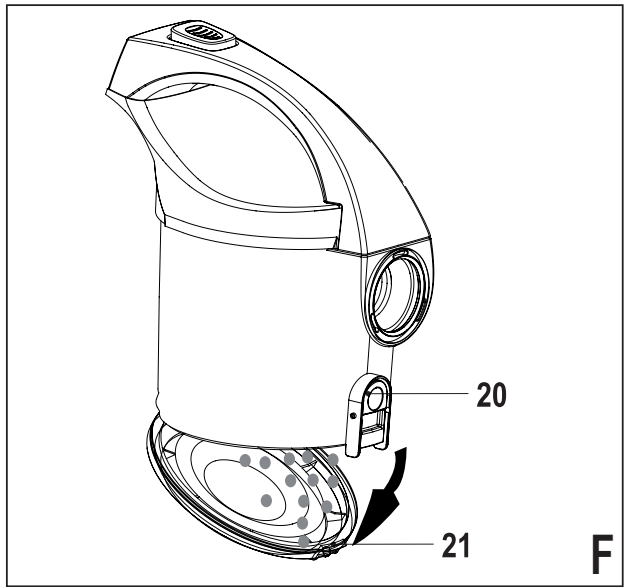
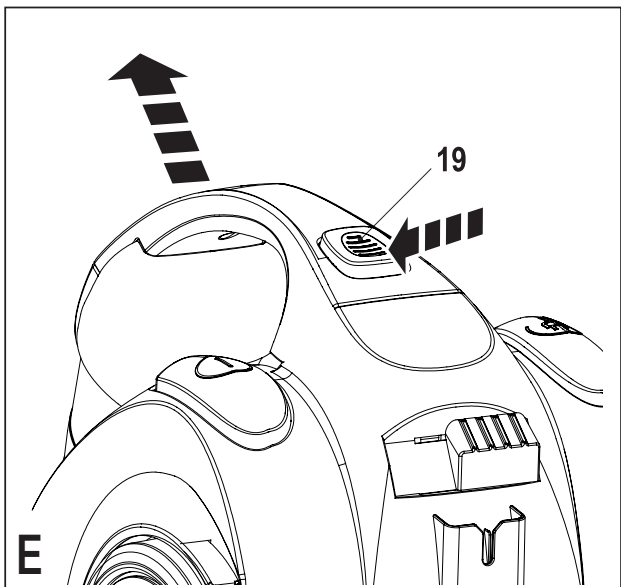
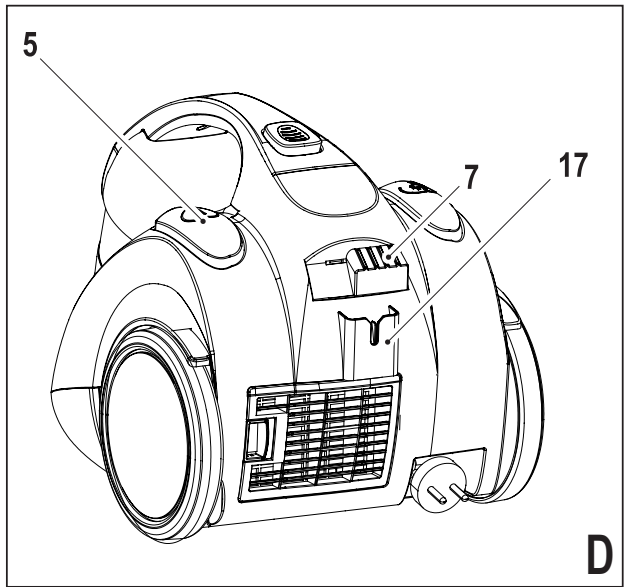
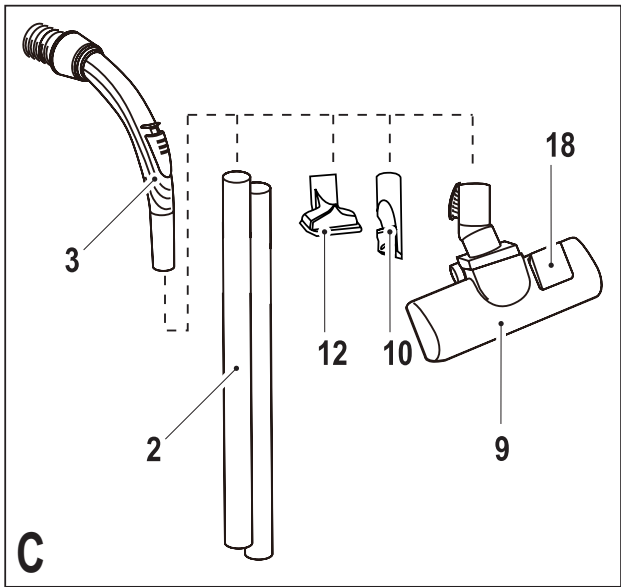
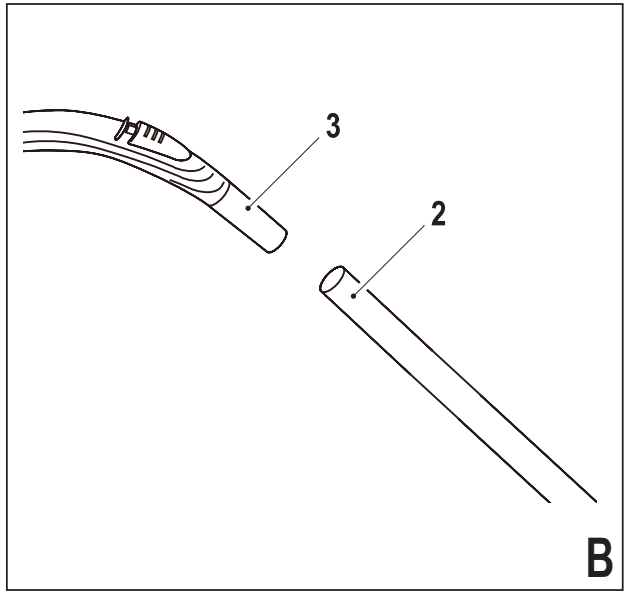
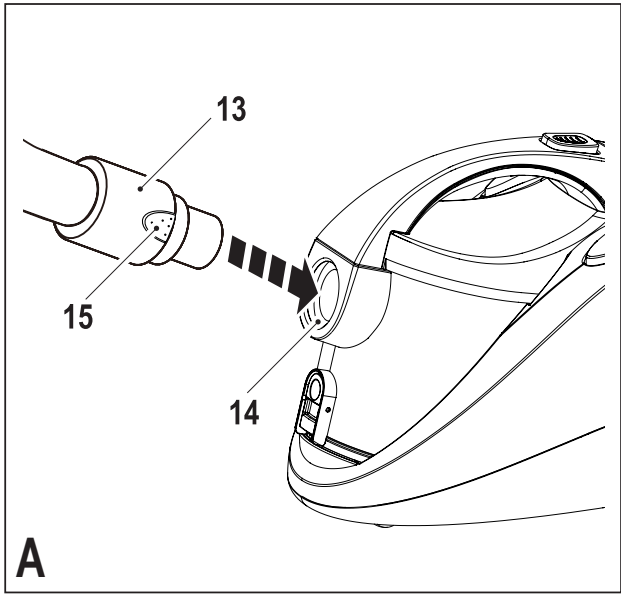
La garantie est valable sur tout le territoire des Etats Membres de l'Union Européenne et de la Zone de Libre Echange Européenne.

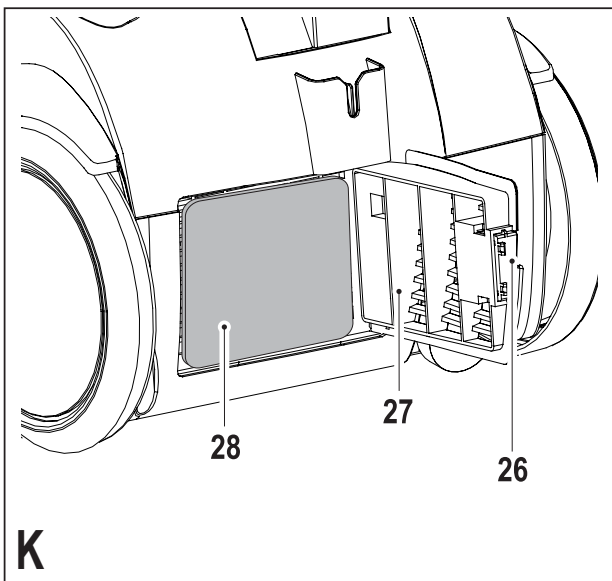
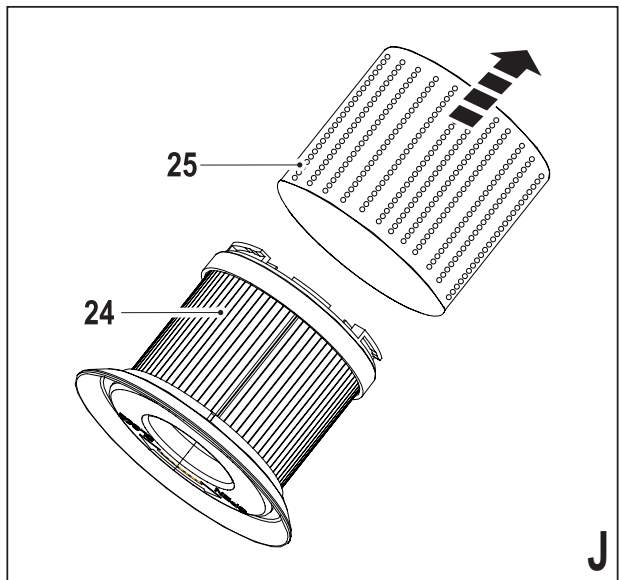
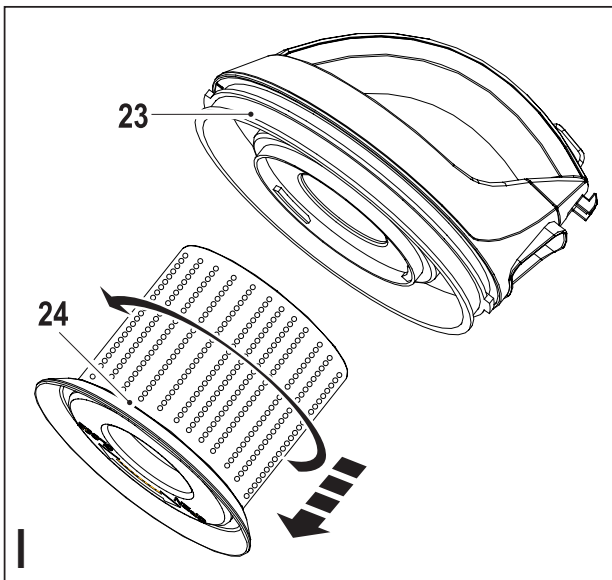
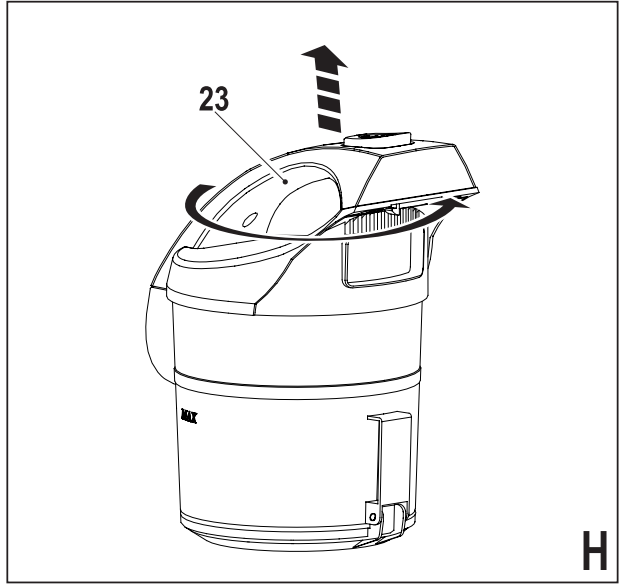
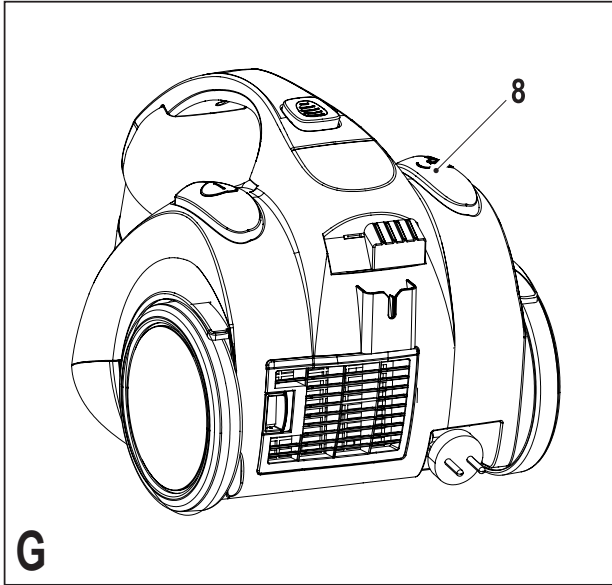
Si un produit Black & Decker s'avère défectueux en raison de matériaux en mauvaises conditions, d'une erreur humaine, ou d'un manque de conformité dans les 24 mois suivant la date d'achat, Black & Decker garantit le remplacement des pièces défectueuses, la réparation des produits usés ou cassés ou remplace ces produits à la convenance du client, sauf dans les circonstances suivantes :

- Le produit a été utilisé dans un but commercial, professionnel, ou a été loué.
- Le produit a été mal utilisé ou avec négligence.
- Le produit a subi des dommages à cause d'objets étrangers, de substances ou à cause d'accidents.
- Des réparations ont été tentées par des techniciens ne faisant pas partie du service technique de Black & Decker.

Pour avoir recours à la garantie, il est nécessaire de fournir une preuve d'achat au vendeur ou à un réparateur agréé. Pour connaître l'adresse du réparateur agréé le plus proche de chez vous, contactez le bureau Black & Decker à l'adresse indiquée dans ce manuel.

Vous pourrez aussi trouver une liste des réparateurs agréés de Black & Decker et de plus amples détails sur notre service après-vente sur le site Internet à l'adresse suivante : www.2helpU.com





Utilização prevista

O seu aspirador Black & Decker foi concebido para aspirar apenas a seco. Este aparelho é apenas para utilização doméstica no interior.

Instruções de segurança



Aviso! Leia todos os avisos de segurança e todas as instruções. Não seguir os avisos e instruções indicados abaixo pode resultar em choque elétrico, incêndio e/ou lesões graves.

- Leia este manual cuidadosamente antes de utilizar o aparelho.
- A utilização prevista está descrita neste manual. A utilização de qualquer acessório ou peça anexa ou a realização de quaisquer operações com este aparelho que não as recomendadas neste manual de instruções podem representar um risco de lesões pessoais.
- Conserve este manual para referência futura.

Utilização do seu aparelho

- Certifique-se que o aparelho está desligado antes de o ligar ou desligar da corrente elétrica.
- Tome sempre as devidas precauções quando utilizar este aparelho.
- Não utilize o aparelho no exterior.
- Nunca puxe o cabo de alimentação para desligar a ficha da tomada. Mantenha o cabo de alimentação afastado do calor, óleo e extremidades afiadas.
- Se o cabo de alimentação ficar danificado durante a utilização, desligue de imediato o aparelho da corrente elétrica. Não toque no cabo de alimentação antes de o desligar o aparelho da corrente elétrica.

- Desligue o aparelho da corrente elétrica quando não o estiver a utilizar, antes de montar ou desmontar peças, e antes da limpeza.
- Não mergulhe o aparelho em água.

Após a utilização

- Desligue o aparelho e retire a ficha da tomada antes de abandonar o aparelho e antes de substituir, limpar ou inspecionar quaisquer peças.
- Quando não estiver a utilizar o aparelho, deverá guardá-lo num local seco.
- As crianças não deverão ter acesso a aparelhos guardados.

Inspeção e reparações

- Antes de o utilizar, verifique a existência de peças danificadas ou com defeito. Verifique peças partidas, interruptores danificados ou quaisquer outras situações que possam afetar o seu funcionamento.
- Não utilize o aparelho se alguma peça estiver danificada ou com defeito.
- Repare ou substitua quaisquer peças danificadas ou com defeito por um agente de reparação autorizado.
- Antes de usar, verifique o cabo de alimentação quanto a sinais de danos e desgaste.
- Não utilize o aparelho se o cabo de alimentação ou a ficha estiverem danificados ou com defeito.
- Se o cabo de alimentação ou a ficha estiverem danificados, terão de ser substituídos pelo fabricante ou pelo seu representante, ou por uma pessoa igualmente qualificada de modo a evitar riscos. Não corte o cabo de alimentação e não tente repará-lo sozinho.

- Nunca tente remover ou substituir quaisquer peças do que as especificadas neste manual.

Instruções de segurança adicionais para aspiradores

- Antes de utilizar, certifique-se que o filtro ou o saco estão colocados corretamente.
- Não utilize o aparelho para aspirar materiais que possam incendiar.
- Não utilize o aparelho para aspirar materiais que estão acesos ou a fazerem fumo (fósforos, cigarros, cinza, etc.).
- Não bloqueie a ventilação do aparelho.
- Evite inalar pó quando esvaziar o aparelho ou o saco do pó.
- Mantenha sempre a escova, o bocal para fendas e outros acessórios afastados do corpo enquanto a unidade está a funcionar.
- Esvazie o produto sempre no exterior.
- Tenha cuidado extra ao limpar escadas.
- Tenha sempre em atenção a posição do cabo e da mangueira para evitar tropeçar enquanto está a utilizá-lo.
- Mantenha a exaustão do motor afastada dos olhos e da face.
- Mantenha as crianças e animais a uma distância segura quando utilizar este aparelho.
- aspire sempre de baixo para cima quando utilizar o aparelho em escadas, e mantenha o aparelho, pelo menos, um degrau abaixo da sua posição.
- Não utilize o aparelho sem a cabeça de sucção ou outro acessório adequado colocado no tubo.
- Mantenha o cabelo, vestuário e luvas afastados das peças móveis.

- Não utilize acessórios danificados.
- Utilize apenas acessórios Black & Decker.
- Não utilize o aparelho em animais.
- Desligue o produto da corrente elétrica antes de o esvaziar, limpar ou levá-lo para alguma manutenção.

Segurança de outras pessoas

- Este aparelho não se destina a ser utilizado por pessoas (incluindo crianças) com deficiência física ou mental ou falta de experiência e conhecimento, salvo se receberam supervisão ou instruções relativas à utilização do aparelho por parte da pessoa responsável pela sua segurança.
- As crianças deverão ser vigiadas de modo a garantir que não brincam com o aparelho.

Segurança elétrica



Este aparelho tem duplo isolamento; assim, não é necessário nenhum fio terra.

Verifique sempre se a tensão de alimentação corresponde à tensão na placa de características.

As fichas devem corresponder com a tomada. Nunca modifique a ficha, seja de que maneira for. Fichas não modificadas e tomadas equivalentes irão reduzir o risco de choque elétrico.

- Se o cabo está danificado, deve ser substituído pelo fabricante ou por um Centro de Assistência Técnica autorizado Black & Decker de modo a evitar um perigo.

Características

Este aparelho inclui algumas ou todas das seguintes características.

1. Saco
2. Tubos extensíveis

3. Pega adaptadora
4. Mangueira
5. Botão On/Off
6. Pega
7. Controlo de potência variável
8. Enrolador de cabo
9. Escova para chão
10. Bocal para fendas
11. Escova para baixar
12. Bocal para estofos

Montagem

Colocar a mangueira (fig. A)

- Insira o conector da mangueira (13) na entrada (14) do aparelho.
- Pressione firmemente até encaixar no sítio.

Tirar a mangueira (fig. A)

- Mantenha pressionados os botões de libertação da mangueira (15).
- Puxe o conector da mangueira (13) para fora da entrada (14) do aparelho.

Colocação dos tubos extensíveis (fig. B)

- Empurre firmemente a pega adaptadora (3) num dos tubos extensíveis (2), depois empurre firmemente o tubo extensível adicional no primeiro tubo extensível.

Encaixar acessórios (fig. C)

O bocal para fendas (10) com a escova para baixo (11) permite aspirar em locais apertados e difíceis de alcançar.

O bocal para estofos (12) permite aspirar mobílias, persianas, cortinas, janelas e escadas.

A escova para chão (9) é utilizada para aspirar a seco.

Os acessórios podem ser colocados tanto na pega adaptadora (3) como nos tubos extensíveis (2).

- Empurre firmemente o acessório para a pega adaptadora (3) ou para o tubo extensível (2), conforme necessário.
- Para retirar um acessório, puxe o acessório a partir da pega adaptadora ou do tubo extensível.

Nota: Quando não está a ser utilizada, a escova para chão (9) pode ser guardada no suporte da escova para chão (17, fig. D).

Utilização

Ligar e desligar (fig. D)

- Para ligar o aparelho, pressione o botão on/off (5).
- Para desligar o aparelho, pressione o botão on/off (5).

Controlo de potência variável (fig. D)

O controlo de potência variável permite-lhe seleccionar a força de sucção necessária para o trabalho a desempenhar.

- Deslize o controlo de potência variável (7) para a esquerda e direita para a definição desejada.

Selecione a potência de sucção mínima para materiais delicados.

Selecione a potência de sucção média para colchões, mobília com estofos e carpetes.

Selecione a potência de sucção máxima para azulejos, madeira e outros chãos duros.

Aspirar

- Quando operar o aparelho, certifique-se que a mangueira não está presa, torcida ou bloqueada.

Nota: Quando estiver a aspirar, certifique-se que o filtro está colocado.

Nota: Quando aspirar superfícies duras pode estender as escovas da escova para chão pressionando para baixo o botão de libertação da escova (18, fig. C).

Otimizar a força de sucção

De modo a manter a força de sucção otimizada, os filtros devem ser limpos regularmente durante a utilização.

Esvaziar o saco (fig. E e F)

- Levante a alavanca de libertação do saco (19).
- Levante o saco (1) do aparelho.
- Segure o saco por cima de um caixote do lixo.
- Pressione a alavanca de libertação da tampa do saco (20) e esvazie o saco.
- Pressione a tampa do saco (21) novamente até que encaixe no sítio.
- Torne a encaixar o saco colocando a extremidade frontal no aparelho, e pressionando depois firmemente a extremidade traseira, até que encaixe no sítio.

Enrolador de cabo (fig. G)

- Mantenha pressionado o botão do enrolador de cabo (8).

Guardar o aparelho

Aviso! Quando guardar o aparelho, desligue-o, inclusivamente da tomada.

- Guarde o aparelho num local seco. O aparelho pode ser transportado pela pega (6).

Manutenção

O seu aparelho com cabo Black & Decker foi concebido para operar durante um longo período de tempo com um mínimo de manutenção. Um funcionamento satisfatório permanente depende de uma manutenção adequada e de uma limpeza regular do aparelho.

Aviso! Antes de efetuar qualquer manutenção em aparelhos com cabo:

- Desligue o aparelho, inclusive da tomada.
- Limpe regularmente as ranhuras de ventilação do aparelho utilizando uma escova macia ou um pano seco.
- Limpe regularmente a caixa do motor com um pano húmido. Não utilize nenhum agente de limpeza abrasivo ou à base de solvente.

Limpeza dos filtros (fig. H, I, J e K)

O saco pode ser limpo com água corrente por baixo da torneira. Todos os outros componentes devem ser limpos com uma escova seca suave ou um pano húmido.

Limpeza do filtro do saco (fig. H, I e J)

- Remova e esvazie o saco.
- Torça a tampa da extremidade do saco (23) no sentido contrário dos ponteiros do relógio.
- Levante a tampa da extremidade do saco.
- Torça a tampa da extremidade do saco (24) no sentido contrário dos ponteiros do relógio.

- Retire o filtro do saco (24) a partir da tampa da extremidade (23).
- Retire a tampa do filtro (25) a partir do filtro do saco (24).
- Escove todas as peças com uma escova macia ou limpe com um pano húmido.

Aviso! Certifique-se que todas as peças estão completamente secas antes de tornar a montar.

- Torne a colocar a tampa do filtro (25) a partir do filtro do saco (24).
- Torne a colocar o filtro do saco (24) na tampa da extremidade (23) rodando-o no sentido dos ponteiros do relógio.
- Coloque a tampa da extremidade do saco (23) no saco e torça no sentido dos ponteiros do relógio até bloquear no sítio.
- Torne a colocar o saco no aparelho.

Limpeza do filtro de exaustão (fig. K)

- Pressione para a direita o botão de libertação da tampa do filtro de exaustão (26), depois tire a tampa do filtro de exaustão (27).
- Retire o filtro de exaustão (28).
- Escove todas as peças com uma escova macia.

Aviso! Certifique-se que todas as peças estão completamente secas antes de tornar a montar.

- Torne a colocar o filtro de exaustão (28) e depois a tampa do filtro de exaustão (27).

Substituição da ficha (apenas para R. U. e Irlanda)

Se for necessária uma nova ficha:

- Descarte em segurança a ficha antiga.
- Ligue o fio castanho ao terminal da nova ficha.

- Ligue o fio azul ao terminal neutro.

Aviso! Siga as instruções de montagem fornecidas com as fichas de boa qualidade. Fusível recomendado: 13A.

Dados técnicos

VM1450 (Tipo 1)		
Tensão	Vác.	220 - 240V, 50 - 60Hz
Potência	W	1200W IEC 1380W MÁX.
Peso	kg	4,3 kg

Proteger o ambiente



Recolha separada. Este produto não deve ser eliminado juntamente com os resíduos domésticos convencionais.

Se algum dia necessitar de substituir o seu produto Black & Decker, ou se já não o voltar a utilizar, não o elimine juntamente com os outros resíduos domésticos. Disponibilize este produto para recolha separada.



A recolha separada de produtos usados e embalagens permite que os materiais sejam reciclados e utilizados novamente. A reutilização de materiais reciclados ajuda a prevenir a poluição ambiental e reduz a exigência de matérias-primas.

- As normas locais podem fornecer recolha separada de produtos elétricos a nível doméstico, locais de resíduos urbanos ou pelo revendedor onde adquiriu um novo produto.
- A Black & Decker disponibiliza uma instalação para reciclagem de produtos Black & Decker em fim de ciclo de vida. Este serviço é fornecido gratuitamente. Para beneficiar deste serviço, devolva o seu produto a qualquer agente reparador autorizado, que fará a recolha em seu nome.
- Pode verificar a localização do agente reparador mais próximo, contactando os escritórios locais Black & Decker através do endereço indicado neste manual. Como alternativa, está disponível na Internet uma lista de agentes reparadores autorizados Black & Decker, dados completos do serviço de pós-venda e contactos em: www.2helpU.com.

Warranty

Black & Decker is confident of the quality of its products and offers an outstanding warranty.

This warranty statement is in addition to and in no way prejudices your statutory rights.

The warranty is valid within the territories of the Member States of the European Union and the European Free Trade Area.

If a Black & Decker product becomes defective due to faulty materials, workmanship or lack of conformity, within 24 months from the date of purchase, Black & Decker warranty to replace defective parts, repair products subjected to fair wear and tear or replace such products to ensure minimum inconvenience to the customer unless:

- The product has been used for trade, professional or hire purposes;
- The product has been subjected to misuse or neglect;
- The product has sustained damage through foreign objects, substances or accidents;
- Repairs have been attempted by persons other than authorised repair agents or Black & Decker service staff.

To claim on the warranty, you will need to submit proof of purchase to the seller or an authorised repair agent. You can check the location of your nearest authorised repair agent by contacting your local Black & Decker office at the address indicated in this manual.

Alternatively, a list of authorised Black & Decker repair agents and full details of our after-sales service and contacts are available on the Internet at: www.2helpU.com.

حماية البيئة

تجميع منفصل. يجب عدم التخلص من هذا المنتج في النفايات المنزلية العادية.



إذا وجدت في أحد الأيام أنك في حاجة إلى استبدال منتج بلاك أند ديكر الخاص بك، أو إذا لم تعد في حاجة إلى استخدامه، لا تتخلص منه في النفايات المنزلية العادية. وقم بتوفير هذا المنتج للتجميع المنفصل.

يتيح التجميع المنفصل للمنتجات والحزم إعادة تدوير المواد واستخدامها مرة أخرى. وتسهم إعادة استخدام المواد المعاد تدويرها في منع التلوث البيئي وخفض الطلب على المواد الخام.



• قد توفر اللوائح المحلية التجميع المنفصل للمنتجات الكهربائية من المنزل، في مواقع النفايات البلدية أو من قبل بائع التجزئة عند شرائك منتجاً جديداً.

• توفر بلاك أند ديكر منشأة لتدوير منتجات بلاك أند ديكر بمجرد وصولها إلى نهاية عمرها النافع. وتوفر هذه الخدمة مجاناً. وللاستفادة من هذه الخدمة، يُرجى إعادة المنتج الخاص بك إلى أي وكيل إصلاح معتمد، والذي سيقوم بتجميعها نيابةً عنا.

• يمكنك التحقق من موقع أقرب وكيل إصلاح مفوض عبر الاتصال على مكتب بلاك أند ديكر المحلي على العنوان الموضح في هذا الدليل. وبدلاً من ذلك، تتوفر قائمة بوكلاء بلاك أند ديكر المعتمدين والتفاصيل الكاملة لخدمات ما بعد البيع التي نقدمها وجهات الاتصال الخاصة بنا على الإنترنت على الموقع الإلكتروني: www.2helpU.com

الضمان

تثق بلاك أند ديكر في جودة منتجاتها وتعرض ضماناً طويل الأجل.

بيان الضمان هذا يكون بالإضافة إلى حقوقك التي يمنحها القانون ولا يخل بها بأي حال من الأحوال.

يسري الضمان في أقاليم الدول الأعضاء في الاتحاد الأوروبي ومنطقة التجارة الحرة الأوروبية.

في حالة وجود خلل في منتج بلاك أند ديكر بسبب عيب في المواد أو الصناعة أو عدم التوافق مع المعايير، خلال 24 شهراً من تاريخ الشراء، تضمن بلاك أند ديكر استبدال الأجزاء المعيبة وإصلاح المنتجات مع مراعاة التآكل والبلل الطبيعي أو استبدال هذه المنتجات لضمان أقل إزعاج للعميل ما لم:

◀ يتم استخدام المنتج في أغراض تجارية أو مهنية أو أغراض تأجير؛

◀ يتعرض المنتج لسوء الاستخدام أو الإهمال؛

◀ يتعرض المنتج للتلف نتيجة أشياء أو مواد غريبة أو حوادث؛

◀ يتم محاولة إصلاح المنتج بواسطة أشخاص غير وكلاء الصيانة المعتمدين أو فريق الصيانة التابع لشركة بلاك أند ديكر.

لتقديم مطالبة بموجب الضمان، سوف تحتاج إلى تقديم دليل الشراء للبائع أو وكيل الصيانة المعتمد. ويمكنك التعرف على موقع أقرب وكيل صيانة معتمد من خلال الاتصال على مكتب بلاك أند ديكر المحلي في العنوان الموضح في هذا الدليل.

وبدلاً من ذلك، توجد قائمة بوكلاء الصيانة المعتمدين التابعين لشركة بلاك أند ديكر والتفاصيل الكاملة لخدمات ما بعد البيع ووسائل الاتصال الخاصة بنا على الإنترنت على الموقع الإلكتروني: www.2helpU.com.

استبدال مقبس الموصلات الرئيسية (المملكة المتحدة وإيرلندا فقط)

إذا كان يجب تركيب مقبس جديد للموصلات الرئيسية:

- تخلص من المقبس القديم بأمان.
- قم بتوصيل السلك البني بالطرف الذي يسري فيه التيار في المقبس الجديد.
- قم بتوصيل السلك الأزرق بالطرف الحيادي.

تحذير! اتبع تعليمات التركيب المتوفرة مع المقابس ذات الجودة العالية. قاطع التيار الموصى به: 13 أ.

البيانات الفنية

VM1450 (النوع 1)	
الجهد الكهر فولط	٢٢٠ - ٢٤٠ فولط، ٥٠-٦٠ هرتز
بائي الداخل تيار متردد	١٢٠٠ واط
دخل القدرة واط	١٣٨٠ واط (الحد الأقصى)
الوزن كجم	٤,٥ كجم

• قم بإزالة مرشح وعاء الغبار (24) من الغطاء الخلفي (23).

• قم بإزالة غطاء المرشح (25) من مرشح وعاء الغبار (24)

• قم بتنظيف جميع الأجزاء بفرشاة ناعمة أو امسحها بقطعة قماش رطبة.

تحذير! تأكد من جفاف جميع الأجزاء تماماً قبل إعادة تجميعها.

• أعد تركيب غطاء المرشح (25) في مرشح وعاء الغبار (24).

• أعد تركيب مرشح وعاء الغبار (24) في الغطاء الخلفي (23) بلفه في اتجاه عقارب الساعة.

• ضع الغطاء الخلفي لوعاء الغبار (23) في وعاء الغبار ولفه في اتجاه عقارب الساعة لتثبيتته في مكانه.

• أعد تركيب وعاء الغبار في الجهاز.

تنظيف مرشح العادم (الشكل ك)

• اضغط على لسان تحرير غطاء مرشح العادم (26) نحو اليمين ثم اسحب غطاء مرشح العادم (27) للخارج.

• قم بإزالة مرشح العادم (28).

• قم بتنظيف جميع الأجزاء بفرشاة ناعمة.

تحذير! تأكد من جفاف جميع الأجزاء تماماً قبل إعادة تجميعها.

• أعد تركيب مرشح العادم (28) ثم غطاء مرشح العادم (27).

اختر قوة الشفط القوي للأرضيات الرخام والخشب والأسطح الصلبة الأخرى.

التنظيف بالمكنسة الكهربائية

عند تشغيل الجهاز، تأكد من أن الخرطوم غير محصور أو ملتوي أو مسدود.

ملحوظة: عند التنظيف بالمكنسة الكهربائية، يجب التأكد من تركيب المرشح.

ملحوظة: عند تنظيف الأسطح الصلبة، يمكن تمديد الفرش الموجودة في رأس تنظيف الأرضيات بالضغط على زر تحرير الفرش (18، الشكل ج) لأسفل.

تحسين قوة الشفط

لتحسين قوة الشفط، يجب تنظيف المرشحات بصفة دورية خلال الاستخدام.

إفراغ وعاء الغبار (الشكلان هـ و"،)

• اضغط على مقبض تحرير وعاء الغبار (19).

• ارفع وعاء الغبار (1) من الجهاز.

• امسك وعاء الغبار فوق سلة مهملات.

• اضغط على مقبض تحرير رأس وعاء الغبار (20) وأفرغ وعاء الغبار.

• اضغط على رأس وعاء الغبار (21) مرة أخرى إلى أن يستقر في مكانه ويصدر صوت نقرة.

• أعد تركيب وعاء الغبار بوضع الواجهة الأمامية في الجهاز ثم الضغط بقوة على النهاية الخلفية حتى تستقر في مكانها وتصدر صوت نقرة.

إرجاع السلك (الشكل ز)

• اضغط باستمرار على زر إرجاع السلك (8).

تخزين الجهاز

تحذير! عند تخزين الجهاز، قم بإيقاف تشغيل الجهاز وفصله عن مصدر الطاقة.

• قم بتخزين الجهاز في مكان جاف. يمكن حمل الجهاز من المقبض (6).

الصيانة

تم تصميم جهاز بلاك أن ديكر السلبي الخاص بك للعمل لفترة طويلة من الوقت دون إجراء الكثير من الصيانة عليه. ويعتمد التشغيل المرضي المستمر على العناية المناسبة بالجهاز والتنظيف الدوري له.

تحذير: قبل إجراء أي صيانة على الأجهزة السلبيّة:

• قم بإيقاف تشغيل الجهاز وفصله من مصدر التيار.

• نظف فتحات التهوية في الجهاز بصفة دورية باستخدام فرشاة ناعمة أو قطعة قماش جافة.

• نظف غطاء المحرك بصفة دورية باستخدام قطعة قماش رطبة. ولا تستخدم أي مادة كاشطة أو منظف مصنوع من مادة مذيبة.

تنظيف المرشحات (الأشكال "ح" "ط" "ي" و"ك")

يمكن تنظيف وعاء الغبار بالماء بوضعه تحت الصنبور. ويجب تنظيف جميع المكونات الأخرى باستخدام فرشاة جافة ناعمة أو قطعة قماش رطبة

تنظيف مرشح وعاء الغبار (الأشكال "ح" "ط" و"ي")

• قم بإزالة وعاء الغبار وتفريغه.

• قم بلف الغطاء الخلفي لوعاء الغبار (23) عكس اتجاه عقارب الساعة.

• ارفع الغطاء الخلفي لوعاء الغبار.

• قم بلف مرشح وعاء الغبار (24) في عكس اتجاه عقارب الساعة.

3. محول مقبض
4. خرطوم
5. مفتاح تشغيل / إيقاف تشغيل
6. مقبض
7. تحكم متغير في القدرة
8. إرجاع السلك
9. رأس تنظيف الأرضيات
10. أداة تنظيف الشقوق
11. فرشاة النقر لأسفل
12. أداة تنظيف مواد التنجيد
- التجميع**
- توصيل الخرطوم (الشكل أ)
- أدخل وصلة الخرطوم (13) في المدخل (14) الموجود في الجهاز.
 - اضغط جيداً إلى أن يستقر في مكانه ويصدر صوت نقرة.
- فصل الخرطوم (الشكل أ)**
- اضغط باستمرار على أزرار تحرير الخرطوم (15).
 - اسحب وصلة الخرطوم (13) خارج المدخل (14) الموجود في الجهاز.
- تركيب أنبوب التمديد المتداخل (الشكل ب)
- ادفع محول المقبض (3) بقوة في أنبوب التمديد المتداخل (2).
- تعديل أنبوب التمديد المتداخل (الشكل ج)
- اضغط باستمرار على زر التعديل (16) الموجود في أنبوب التمديد المتداخل (2).
 - قم برفع أو خفض أنبوب التمديد المتداخل إلى الارتفاع المطلوب.
- تركيب الملحقات (الشكل د)
- تتيح أداة تنظيف الشقوق (10) مع فرشاة النقر لأسفل (11) التنظيف بالمكنسة الكهربائية في الأماكن الضيقة والتي يصعب الوصول إليها.
- تتيح أداة تنظيف التنجيد (12) تنظيف الأثاث والستائر المكونة من شرائح والستائر والنوافذ والسلام.
- تستخدم رأس تنظيف الأرضيات (9) في التنظيف الجاف.
- يمكن تركيب الملحقات على كل من محول المقبض (3) وأنبوب التمديد المتداخل (2).
- ادفع الملحق بقوة في محول المقبض (3) أو أنبوب التمديد التلسكوبي (2) وفق ما هو مطلوب.
 - لإزالة الملحق، اسحبه من محول المقبض أو أنبوب التمديد المتداخل.
- ملحوظة: في حالة عدم استخدام رأس تنظيف الأرضيات (9)، يمكن تخزينه بوضعه على حامل رأس تنظيف الأرضيات (17، الشكل د).
- الاستخدام**
- التشغيل وإيقاف التشغيل (الشكل د)
- لتشغيل الجهاز، اضغط على زر التشغيل / إيقاف التشغيل (5).
 - إيقاف تشغيل الجهاز، اضغط على زر التشغيل / إيقاف التشغيل (5).
- التحكم المتغير في القدرة (الشكل د)
- يتيح لك التحكم المتغير في القدرة اختيار قوة الشفط المطلوبة لإنجاز المهمة.
- مرر المفتاح المنزلق للتحكم المتغير في القدرة (7) يساراً ويمينا إلى الوضعية المطلوبة.
 - اختر قوة الشفط الأقل للمواد الدقيقة.
 - اختر قوة الشفط المتوسطة للمراتب والفرش والأساس المنجد والسجاد.

لا تحاول أبداً إزالة أو استبدال أي أجزاء بخلاف تلك المحددة في هذا الدليل.

تعليمات سلامة إضافية للمكانس الكهربائية

- قبل الاستخدام، تأكد دائماً من تركيب المرشح أو كيس الغبار بشكل صحيح.
- لا تستخدم الجهاز لالتقاط أي مواد قابلة للاشتعال.
- لا تستخدم الجهاز في التقاط أي مواد مشتعلة أو يتصاعد منها الدخان (عيدان الثقاب أو السجائر أو الرماد المشتعل أو خلافه).
- لا تسد فتحات التهوية بالجهاز.
- تجنب استنشاق الهواء عند تفريغ الجهاز أو كيس الغبار.
- احرص دائماً على إبقاء الفرشاة وأداة كنس الشقوق والملحقات الأخرى بعيداً عن جسم المكنسة عندما تكون الوحدة قيد التشغيل.

• قم دائماً بإفراغ المكنسة في الخارج.

• توخ مزيد من الحرص عند تنظيف السلاالم.

• كن دائماً واعياً بمكان الكابل الكهربائي والخرطوم لتفادي مخاطر التعثر أثناء الاستخدام.

• احرص دائماً على بقاء عادم المحرك بعيداً عن العينين والوجه.

• احرص دائماً على بقاء الأطفال والحيوانات على مسافة آمنة عند استخدام هذا الجهاز.

• قم دائماً بالعمل من أسفل لأعلى عند استخدام الجهاز في تنظيف السلاالم، واجعل الجهاز على درجة واحدة على الأقل أسفل موقع عملك.

• لا تستخدم الجهاز بدون تركيب رأس الشفط أو أي ملحق مناسب آخر في الخرطوم.

• حافظ على الشعر والملابس والقفازات بعيداً عن

الأجزاء المتحركة.

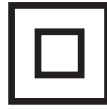
- لا تستخدم الملحقات التالفة.
- استخدام ملحقات بلاك أند ديكر فقط.
- لا تستخدم الجهاز على الحيوانات.
- افصل المنتج عن مصدر التيار الكهربائي قبل التفريغ أو التنظيف أو تنفيذ أي أعمال صيانة على الجهاز.

سلامة الآخرين

- هذا الجهاز غير مخصص للاستخدام من قبل الأشخاص (بما في ذلك الأطفال) الذين لديهم قدرات جسدية أو حسية أو ذهنية منخفضة، أو الذين يفتقرون إلى الخبرة والمعرفة، إلا إذا تم الإشراف عليهم أو إعطاؤهم تعليمات بخصوص استخدام الجهاز من قبل الشخص المسؤول عن سلامتهم.
- يجب الإشراف على الأطفال لضمان عدم عبثهم بالجهاز.

السلامة الكهربائية

هذا الجهاز معزول عزلاً مزدوجاً، لذلك ليست هناك حاجة إلى سلك أرضي. يُرجى التحقق من توافق جهد التيار الكهربائي مع الجهد الموضح على لوحة التقنين.



يجب أن تتوافق القوابس الكهربائية مع المأخذ. لا تقم بتعديل القابس بأي شكل من الأشكال. سوف تعمل القوابس غير المعدلة والمأخذ المتوافقة على تقليل مخاطر التعرض للصدمات الكهربائية.

- عند تلف السلك الكهربائي، يجب استبداله بواسطة أحد مراكز الخدمة المعتمدة التابعة لشركة بلاك أند ديكر، لتفادي التعرض للمخاطر.

الخصائص

يتضمن هذا الجهاز بعض أو جميع الخصائص التالية:

1. وعاء غبار
2. أنبوب تمديد متداخل

الغرض من الاستخدام

- افصل الجهاز من مصدر الطاقة في حالة عدم استخدامه وقبل تركيب أو إزالة الأجزاء وقبل التنظيف.
- لا تغمر الجهاز في المياه.

تم تصميم المكنسة الكهربائية من بلاك أند ديكر لأغراض التنظيف الجاف بالهواء. هذا الجهاز مصمم للاستخدام المنزلي من قبل المستهلكين فقط.

بعد الاستخدام

- تأكد من إيقاف تشغيل الجهاز وفصل القابس من المقبس قبل ترك الجهاز دون مراقبة، وقبل تغيير أو تنظيف أو فحص أي أجزاء للجهاز.
- في حالة عدم استخدام الجهاز، يُرجى تخزينه والاحتفاظ به في مكان جاف.
- يجب عدم وضع الأجهزة المخزنة في متناول الأطفال.

تعليمات السلامة

تحذيراً! اقرأ كافة تحذيرات السلامة وجميع التعليمات جيداً. قد يؤدي عدم اتباع التعليمات والتحذيرات الواردة أدناه إلى حدوث صدمة كهربائية و/أو حريق و/أو إصابة شخصية خطيرة.



الفحص والإصلاح

- قبل الاستخدام، تحقق من عدم وجود أية تلفيات أو أجزاء معيبة بالجهاز. وتحقق من عدم وجود أي كسر في الأجزاء وتلف في المفاتيح وأي ظروف أخرى من شأنها أن تؤثر على تشغيل الجهاز.
- لا تستخدم الجهاز إذا كانت به أية أجزاء تالفة أو معيبة.

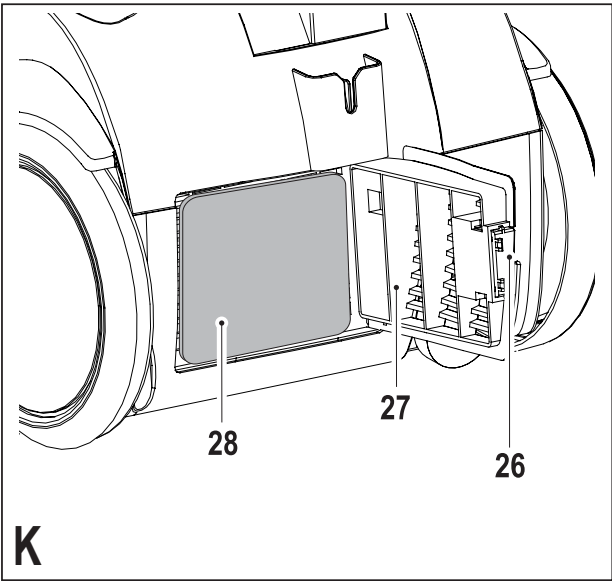
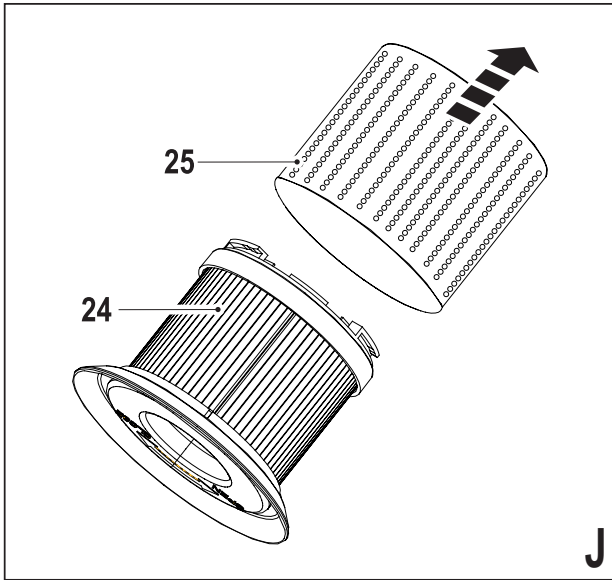
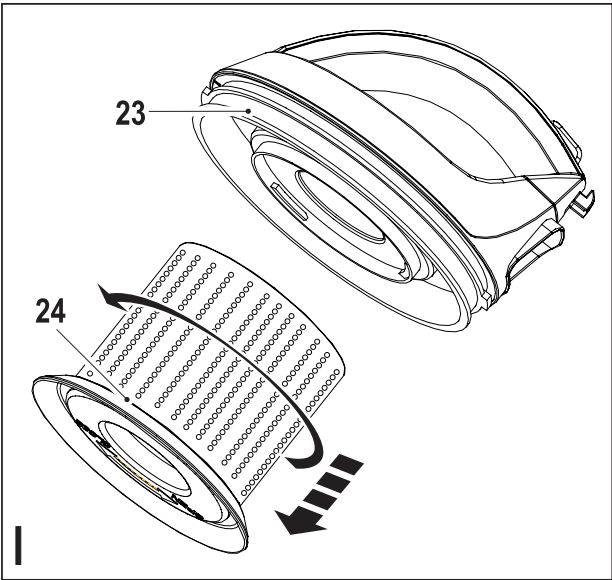
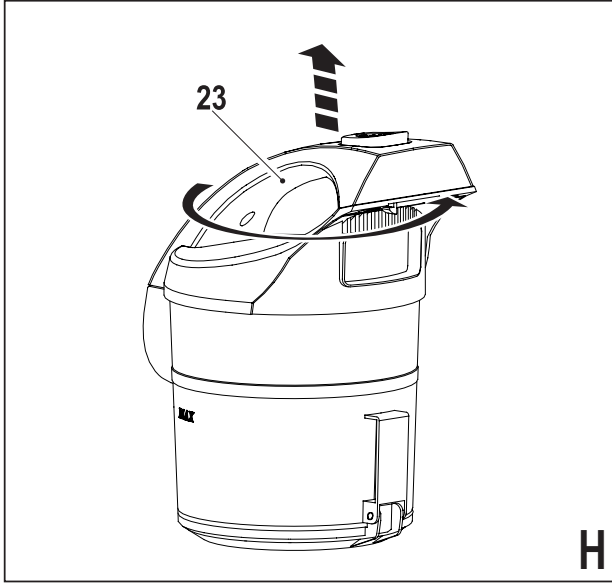
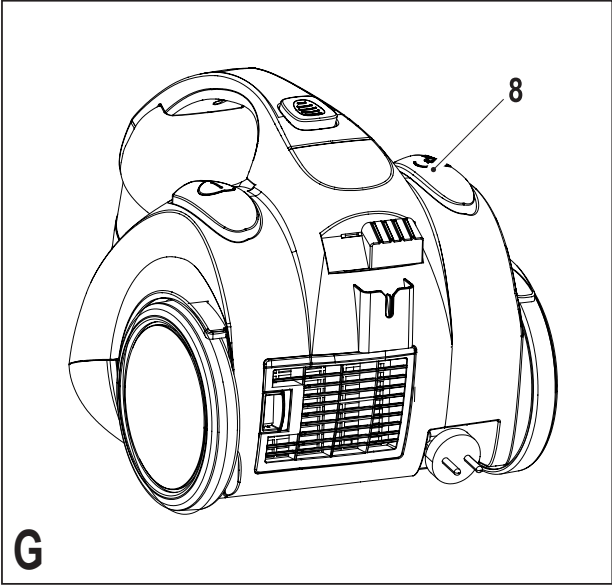
- اقرأ هذا الدليل جيداً قبل استخدام الجهاز.
- الاستخدام المخصص لهذا الجهاز منصوص عليه في هذا الدليل. قد يؤدي استخدام أي ملحق أو مرفق أو تنفيذ أي عملية بالجهاز بخلاف تلك العمليات الموصى بها في دليل التعليمات هذا إلى مخاطر التعرض للإصابة الشخصية.

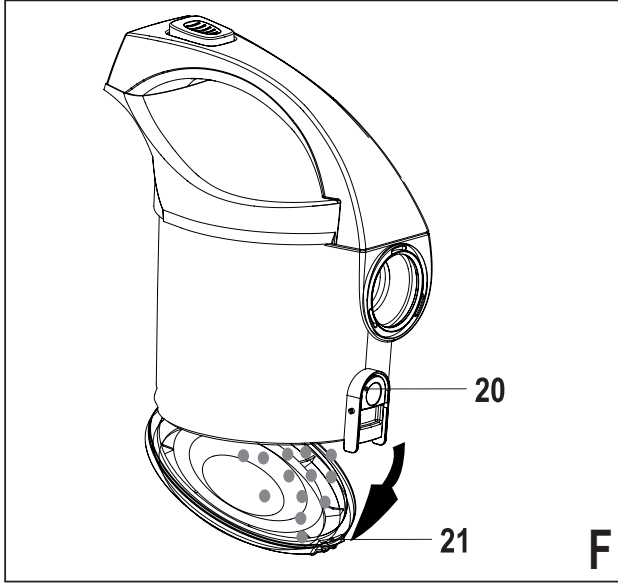
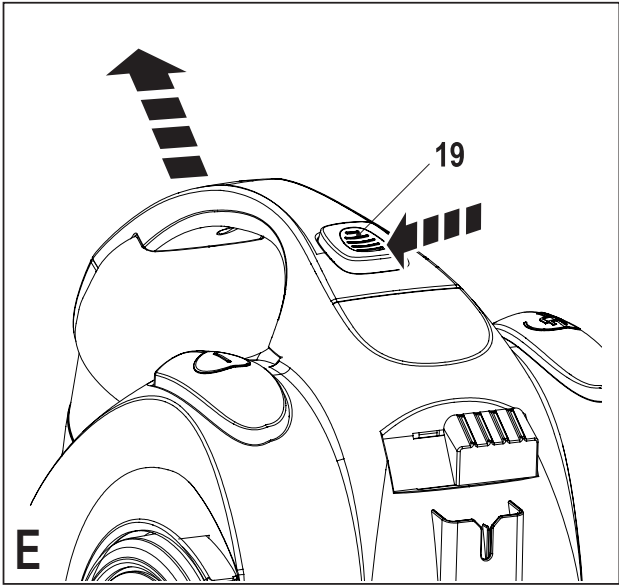
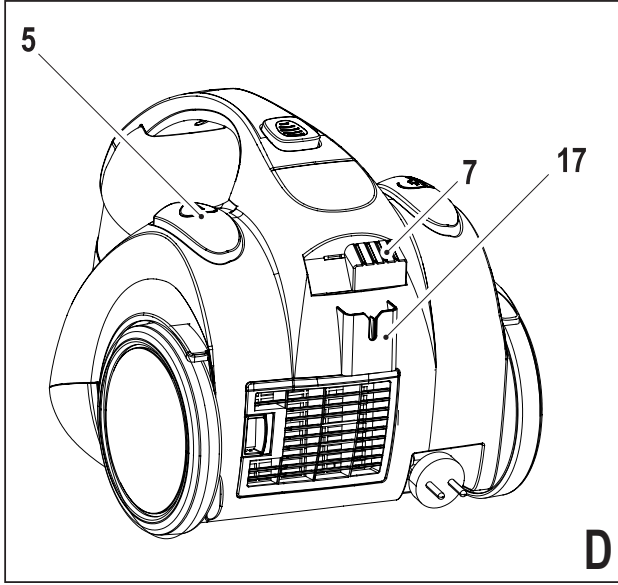
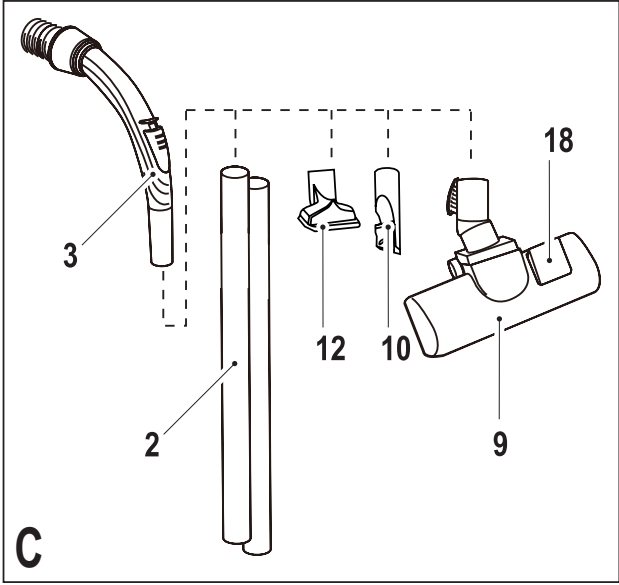
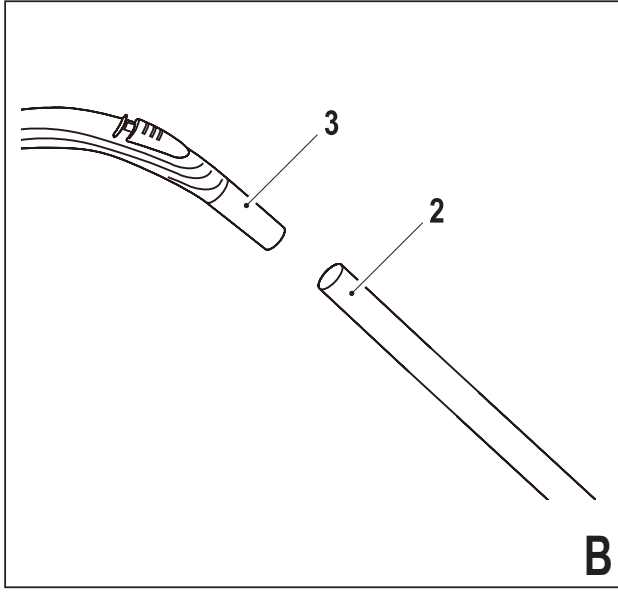
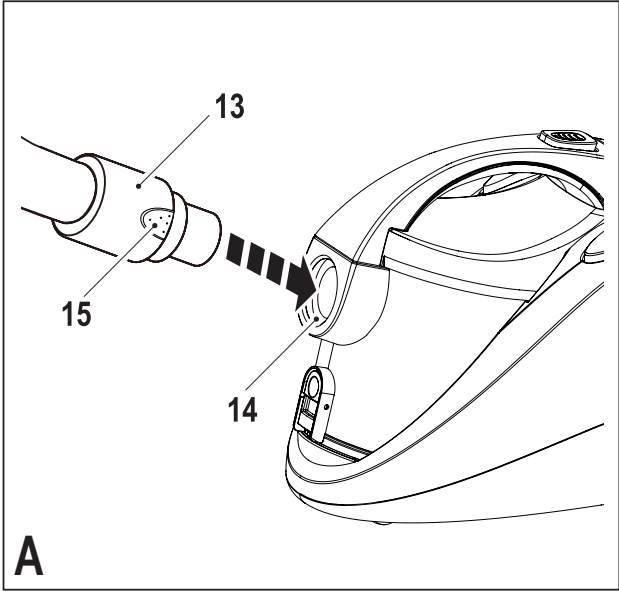
- احتفظ بهذا الدليل للرجوع إليه مستقبلاً.

استخدام الجهاز

- تأكد من أن الجهاز في وضع إيقاف التشغيل قبل توصيله بمصدر الطاقة أو فصله عنه.
- توخ الحذر دائماً عند استخدام الجهاز.
- لا تستخدم الجهاز خارج المنزل.
- لا تقم أبداً بشد سلك التوصيل بالكهرباء لفصل القابس من المقبس الكهربائي. حافظ على بقاء سلك التوصيل بالكهرباء بعيداً عن الحرارة والزيت والحواف الحادة.
- في حالة تلف سلك التوصيل بالكهرباء أثناء الاستخدام، افصل الجهاز من مصدر الطاقة فوراً. لا تلمس سلك التوصيل قبل فصله من مصدر الطاقة.
- قم بإصلاح أية أجزاء تالفة أو معيبة أو استبدالها من جانب وكيل إصلاح أو صيانة معتمد.
- قبل استخدام الجهاز، تحقق من سلك التوصيل للتأكد من خلوه من علامات التلف والتقدم والبلبي بالاستعمال.
- لا تستخدم الجهاز في حالة تلف سلك التوصيل أو مقبس الموصلات الرئيسية أو وجود عيوب به.
- في حالة تلف سلك التوصيل أو مقبس الموصلات الرئيسية أو وجود عيوب به، يجب إصلاحه من جانب الشركة المصنعة أو وكيل خدماتها المعتمد أو شخص يحمل نفس مؤهلاتهما لتفادي المخاطر. لا تقطع سلك التوصيل ولا تحاول إصلاحه بنفسك.

- لا تستخدم الجهاز في وضع إيقاف التشغيل قبل توصيله بمصدر الطاقة أو فصله عنه.
- توخ الحذر دائماً عند استخدام الجهاز.
- لا تستخدم الجهاز خارج المنزل.
- لا تقم أبداً بشد سلك التوصيل بالكهرباء لفصل القابس من المقبس الكهربائي. حافظ على بقاء سلك التوصيل بالكهرباء بعيداً عن الحرارة والزيت والحواف الحادة.
- في حالة تلف سلك التوصيل بالكهرباء أثناء الاستخدام، افصل الجهاز من مصدر الطاقة فوراً. لا تلمس سلك التوصيل قبل فصله من مصدر الطاقة.





Names & Addresses for Black & Decker Service Concessionaries

ALGERIA: SARL Outillage Corporation, After Sale Service Center-08, Rue Mohamed Boudiaf - Cheraga, Algiers, Algeria, Tel: +213 21 375131, Fax: +213-0-369667. **AZERBAIJAN:** Kontakt - NN LLC, M.Qashqay 43, Baku, Azerbaijan Az1000. Tel: +994 12 4082050, Fax: +994 12 4117090. **BAHRAIN:** Alfouz Services Co. WLL., P.O. Box 26562, Tubli, Manama, Tel: +973-17783562/ 17879987, Fax: +973-17783479. Kewalram & Sons Co. WLL P.O. Box 84, Manama, Kingdom of Bahrain, Tel: +973-17213110/ 17210617/ 17210619, Fax: +973-17213211/ 17210627. **BANGLADESH:** Ultra Corporation, 8, Kushol Centre, Uttara, Dhaka 1230. Tel: +880-2-8922144, Fax: +880-2-8951339. **EGYPT:** Anasia - Egypt for Trading S.A.E., 9, Mostafa Refaat St., Sheraton Heliopolis Bldgs., Cairo, Egypt, P.O.Box 2443 Heliopolis 11361, Tel. : (202) 268 4159, Fax.: (202) 268 4169, www.anasia.com. **ETHIOPIA:** Seif Sherif Trade PLC -Arada Sub City, Kebele 01-02, Global Insurance Bldg., 2nd Flr. Room 43, P.O.Box 2525, Addis Ababa, Ethiopia, Tel: 00-251-11-1563968/ 1563969, Fax: 00-251-11-1558009. **INDIA:** Gryphon Appliances Ltd., D-6/4, Okhla Industrial Area, Phase-I, New Delhi-110020, Tel: +91-11-46731111, Fax: +91-11-46731111. **JORDAN:** Bashiti Hardware, 93 King Abdullah 2nd St., Opp ELBA House, P.O. Box 3005, Tel: +962-6-5349098 ext.11, Fax: +962-6-5330731. **KENYA:** Leading Concepts, P.O. Box: 40877-00100, Nairobi, Kenya. Tel: +254 20 690 5000, Fax: +254 20 690 5111. **KUWAIT:** Al Omar Technical Co., P.O. Box 4062, Safat 13041, Kuwait, Tel: 00965-24848595/ 24840039, Fax: 00965-24845652. The Sultan Centre, P.O. Box 26567-13126 Safat, Kuwait, Tel: 00965-24343155 Etn. 432, Fax: 00965-24319071. **LEBANON:** Aces Service Centre, P.O. Box 90-102, Nahr El Mot, Seaside Highway, Pharaon Building, Beirut. Tel: 00961-1-898989, Fax: 00961-1-245880. **LIBYA:** Homeworld Co., Building No.5, Senidal St., Amr Ibn Elaas Road, Benghazi, Libya. Tel: 00218-61-9094183. Service Center1 - Benghazi: Tel: +218-061-3383994, Fax: +218-092-7640688, Service Center2 - Tripoli: Tel: +218-021-3606430, Fax: +218-092-6514813. **MALTA:** John G Cassar Ltd. 36-Victory Street, Qormi QRM 06, Malta. Tel: +356-21493251, Fax: +356-21483231. **MAURITIUS:** J.M. Goupille & Co. Ltd., Rogers Industrial Park 1, Riche Terre, Mauritius, Tel: +230 206 9450 / +230 207 1700, Fax: +230 206 9474/ +230 248 3188. **MOROCCO:** UATS 26 Rue Ennarjisse, Hay Erraihan, Beausejour - Hay Hassani-Casablanca, Morocco. Tel: +212 522945114, Fax: +212 522942442. **NEPAL:** Universal Electrocom, Tripureswor, Kathmandu, Nepal. Tel:+977-1-4265191. **NIGERIA:** Dana Electronics Ltd. (Lagos) 116/ 120, Apapa Oshodi Express Way, Isolo, Lagos, Nigeria. Tel: +234-17431818/ +234-8037767774/ +234-8057445477. (Abuja) 18, A.E. Ekukinam Street, Off Obsfemi Awolowo Road, Utako, Abuja, Nigeria. Tel: +234-8032276101/ +234-8037767774. (Kano) 9A - Mai Malari Road, Bompai, Kano, Nigeria. Tel: +234-8053294947/ +234-8037767774. **OMAN:** Oman Marketing & Service Co. (Omasco), P.O. Box 2734, Behind Honda Showroom, Wattayah, Oman, Tel: +968-24560232/ 24560255, Fax: +968-24560993. Oman Marketing & Service Co. (Omasco), Al Ohi, Sohar, Oman, Tel: +968-26846379, Fax: +968-26846379. Oman Marketing & Service Co. (Omasco) - Sanaya, Salalah, Oman, Tel: 00968-23212290, Fax: +968-23210936. **PAKISTAN:** Ammar Service & Spares - 60-Bank Arcade, Serai Road, Karachi, Pakistan, Tel: 0092-21-32426905, Fax: 0092-21-32427214. **PHILIPPINES:** 476 J. P. Rizal St., cor Kakarong St. Brgy Olympia, Makati City, Tel: +632 403-5698. **QATAR:** Al Muftah Service Centre - Al Wakrah Road, P.O. Box 875, Doha, Qatar. Tel: 00974-4650880/ 4650110/ 4446868, Fax: 00974-4441415/ 4662599. **SAUDI ARABIA:** (Al Khobar) Al-Suwaiket Catering & Trading Co., P.O.Box 4228, King A.Aziz Street, Al Khobar, Tel: +966-3-8591088, Fax: +966-3-8595648. Fawaz Ebrahim Al Zayani Trading Est. P.O. Box 76026, Al Khobar #31952, Tel: +966-3-8140914, Fax: +966-3-8140824. (Jeddah) Banaja Trading Co. Ltd, P.O. Box 366, Jeddah-21411, Tel: +966-2-6511111, Fax: +966-2-6503668. (Riyadh) Banaja Trading Co. Ltd, P.O. Box 566, Riyadh-11421, Tel: 00966-1-4124444, Fax: +966-1-4033378. **SOUTH AFRICA:** Trevco Power Tool Service 14 Steenbok Street, Koedoespoort, 0186, Pretoria, South Africa, Tel: +27-86-1873826, Fax: +27-86-5001771. **SRI LANKA:** Delmege Construction Products (Pvt) Ltd., No 101 Vinayalankara Mawatha, Colombo-10, Sri Lanka, Tel: +94-11-2693361-7, Service hotline: +94-77-2211111. **TUNISIA:** Société Tunisienne De Manutention - Rue de la Physique, Nouvelle Zone Industrielle de Ben Arous-2013 Tunisie, Tel: +216-71-386102/ 380620, Fax: +216-71380412 ext 216. **UGANDA:** Anisuma Investment and Services Ltd., J R complex, Ware House No.5, Plot No 101, 3rd Street Industrial Area, Jinja Road, Kampala, Tel: +256-414237106. **UAE: (Abu Dhabi)** Light House Electrical, P.O. Box 120, Abu Dhabi, Tel: +971-2-6726131, Fax: +971-2-6720667. (Al Ain) Zillion Equipment and Spare Parts Trading LLC, P.O. Box 19740, Opp. Bin Sadal/Trimix Redymix Sanaia, Al Ain. Tel: +971-3-7216690, Fax:+971-3-7216103 (Dubai) Black & Decker (Overseas) GmbH, P.O. Box 5420, Dubai, Tel: +971-4-8127400/ 8127406, Fax: +971-4-2822765. (Musaffah) Light House Electrical, P.O. Box 120, Abu Dhabi, Tel: +971-2-5548315, Fax: +971-2-5540461. (Sharjah) Mc Coy Middle East LLC, P.O. Box 25793, Sharjah, Tel: +971-6-5395931, Fax: +971-6-5395932. (Ras Al Khaimah) Mc Coy Middle East LLC, P.O.Box 10584, Ras Al Khaimah, Tel: +971-7-2277095, Fax: +971-7-2277096. **YEMEN: (Aden)** Muala St., Tel: +967 2 222670, Fax: +967 2 222670. (Sana'a) Middle East Trad. Co. Ltd., P.O. Box 12363, Hayel Street, Sana'a. Tel: +967-1-204201, Fax: +967-1-204204. (Taiz) Middle East Trading Co. (METCO), 5th Flr. Hayel Saeed Anam Bldg, Al-Mugamma St. Taiz, Yemen, Tel: +967-4-213455, Fax: +967-4-219869.



WARRANTY REGISTRATION CARD

YOUR NAME/الإسم

.....

YOUR ADDRESS العنوان

.....

.....

POSTCODE الرمز البريدي

DATE OF PURCHASE تاريخ الشراء

DEALER'S NAME & ADDRESS/إسم و عنوان البائع

.....

.....

PRODUCT MODEL NO. VM1450

