

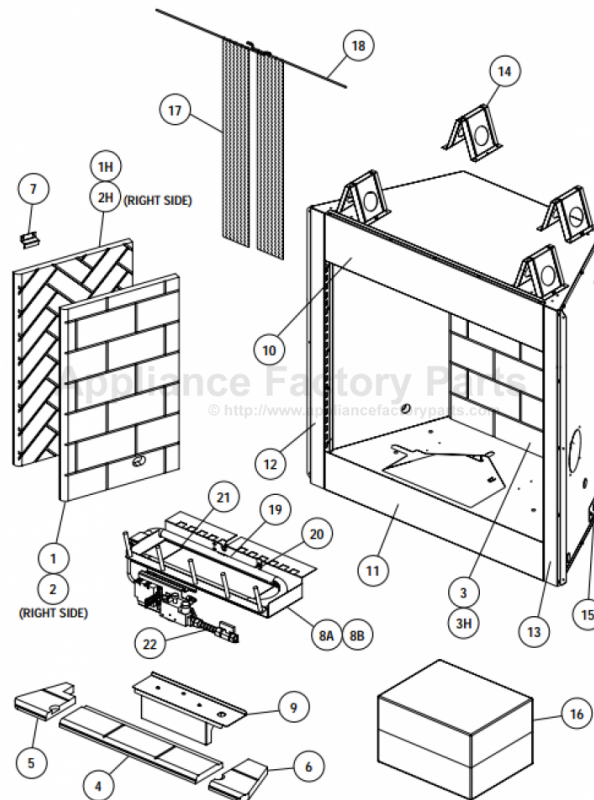
This Owner's Manual is provided and hosted by [Appliance Factory Parts](#).



LENNOX HEARTH E36ODGNE Owner's Manual

[Shop genuine replacement parts for LENNOX HEARTH
E36ODGNE](#)

REPLACEMENT PARTS



[Find Your LENNOX HEARTH Fireplace Parts - Select From 237 Models](#)

----- Manual continues below -----

LENNOXTM

HEARTH PRODUCTS

CARE AND OPERATION INSTRUCTIONS

OUTDOOR GAS FIREPLACE ELITE[®] SERIES

OUTDOOR GAS FIREPLACE
P/N 875,032M REV. C 09/2008

| | |
|---|--|
|  | ⚠ WARNINGS |
|  | <ul style="list-style-type: none">• Hot! Do not touch! The surfaces of this appliance will be hot during operation and will retain heat for a while after shutting off the appliance. Severe burns may result.• Carefully supervise children in the same space as the appliance. |

MODELS

| | |
|------------|------------|
| E360DGNE | E420DGNE |
| E360DGNE-H | E420DGNE-H |
| E360DGPE | E420DGPE |
| E360DGPE-H | E420DGPE-H |

WARNING: IF THE INFORMATION IN THIS MANUAL IS NOT FOLLOWED EXACTLY, A FIRE OR EXPLOSION MAY RESULT CAUSING PROPERTY DAMAGE, PERSONAL INJURY OR LOSS OF LIFE.

FOR YOUR SAFETY: Do not store or use gasoline or other flammable vapors or liquids in the vicinity of this or any other appliance.

FOR YOUR SAFETY: What to do if you smell gas:

- DO NOT light any appliance.
- DO NOT touch any electrical switches.
- DO NOT use any phone in your building.
- Immediately call your gas supplier from a neighbor's phone.

Follow your gas suppliers instructions.

- If your gas supplier cannot be reached, call the fire department.

Installation and service must be performed by a qualified installer, service agency or the gas supplier.

INSTALLER: Leave this manual with the appliance.
CONSUMER: Retain this manual for future reference.

AVERTISSEMENT: ASSUREZ-VOUS DE BIEN SUIVRE LES INSTRUCTIONS DONNÉ DANS CETTE NOTICE POUR RÉDUIRE AU MINIMUM LE RISQUE D'INCENDIE OU POUR ÉVITER TOUT DOMMAGE MATÉRIEL, TOUTE BLESSURE OU LA MORT.

POUR VOTRE SÉCURITÉ: Ne pas entreposer ni utiliser d'essence ni d'autre vapeurs ou liquides inflammables dans le voisinage de cet appareil ou de tout autre appareil.

POUR VOTRE SÉCURITÉ: Que faire si vous sentez une odeur de gaz:

- Ne pas tenter d'allumer d'appareil.
- Ne touchez à aucun interrupteur. Ne pas vous servir des téléphones se trouvant dans le bâtiment où vous vous trouvez.
- Evacuez la pièce, le bâtiment ou la zone.
- Appelez immédiatement votre fournisseur de gaz depuis un voisin. Suivez les instructions du fournisseur.
- Si vous ne pouvez rejoindre le fournisseur de gaz, appelez le service des incendies.

L'installation et service doit être exécuté par un qualifié installateur, agence de service ou le fournisseur de gaz.

Tested & Listed By  Portland Oregon USA
OMNI-Test Laboratories, Inc.

OTL Report No. 116-F-41-5

A French manual is available upon request. Order Form Number 875,032CF.

Ce manuel d'installation est disponible en français, simplement en faire la demande. Numéro de la pièce 875,032CF.

CONGRATULATIONS!

In selecting this LENNOX Outdoor Gas Appliance you have chosen the finest and most dependable fireplace to be found anywhere. A beautiful, prestigious, alternative to a wood burning fireplace. Welcome to a Family of tens of thousands of satisfied LENNOX Fireplace Owners.

Please read and carefully follow all of the instructions found in this manual. Please pay special attention to the safety instructions provided in this manual. The Care and Operation Instructions included here will assure that you have many years of dependable and enjoyable service from your LENNOX product.

TABLE OF CONTENTS

| | | |
|--|------|----|
| Introduction | page | 2 |
| General Information | page | 2 |
| Operation/Care of Your Appliance | page | 3 |
| Variable Flame Adjustment | page | 4 |
| Glass Cleaning | page | 4 |
| Maintenance | page | 4 |
| Maintenance Schedule | page | 5 |
| Front Glass Enclosure Panel, | | |
| Removal and Installation | page | 6 |
| Burner Adjustments | page | 6 |
| Flame Appearance and Sooting | page | 6 |
| Adjustment | page | 6 |
| Log Placement | page | 6 |
| Millivolt Appliance Checkout | page | 8 |
| Electronic Appliance Checkout | page | 8 |
| Accessory Components | page | 8 |
| Wiring Diagrams | page | 9 |
| Warranty | page | 9 |
| Replacement Parts | page | 9 |
| Product Reference Information | page | 9 |
| Lighting Instructions – Electronic | page | 10 |
| Troubleshooting Guide – Electronic | page | 12 |
| Replacement Parts List | page | 14 |

This manual is part of a set of two supporting this product. Refer to manual 850,034M for Installation Instructions.

INTRODUCTION

The Fireplace models covered in this manual are ventless outdoor gas fireplace heaters designed for exterior application. Ventless appliances operate with the combustion chamber completely open to the outside atmosphere. All air for combustion is brought in through the face opening and exhaust gases are vented through the same face opening. **These appliances must be installed outdoors.**

The Lennox Elite® Series Outdoor Gas Fireplace is designed for outdoor use. It may also be installed in screened porches and lanais that meet these minimum requirements:

Minimum porch area - 96 square feet
Minimum ceiling height - 7 feet 8 inches

A minimum of two (2) walls can be screened but must be open to outside ventilation.

Minimum screen area - 64 square feet
Minimum screen top height - 6 feet 8 inches

These appliances are designed to operate on natural or propane gas. An electronic intermittent pilot ignition system provides safe, efficient operation. The system operates on two (2) "D" batteries.

These appliances comply with National Safety Standards and are tested and listed by Omni Test Laboratories (Report No. 116-F-41-5) to CSA 4-96 (in Canada, CR97-003), and CAN/CGA-2.17-M91 in both USA and Canada, as an outdoor gas fireplace.

The Installation must conform to local codes or, in the absence of local codes, with the *National Fuel Gas Code, ANSI Z223.1/NFPA 54*, or the *Natural Gas and Propane Installation Code, CSA B149.1*. The appliance, when installed, must be electrically grounded in accordance with local codes or, in the absence of local codes, with the *National Electrical Code, ANSI/NFPA 70*, or the *Canadian Electrical Code, CSA C22.1*.

DO NOT ATTEMPT TO ALTER OR MODIFY THE CONSTRUCTION OF THE APPLIANCE OR ITS COMPONENTS. ANY MODIFICATION OR ALTERATION MAY VOID THE WARRANTY, CERTIFICATION AND LISTINGS OF THIS UNIT.

WARNING: IMPROPER INSTALLATION, ADJUSTMENT, ALTERATION, SERVICE OR MAINTENANCE CAN CAUSE INJURY OR PROPERTY DAMAGE. REFER TO THIS MANUAL. FOR ASSISTANCE OR ADDITIONAL INFORMATION CONSULT A QUALIFIED INSTALLER, SERVICE AGENCY OR THE GAS SUPPLIER.

WARNING: THESE APPLIANCES ARE NOT DESIGNED OR INTENDED TO BE USED FOR COOKING. DO NOT BAR-B-QUE, HEAT FOOD, OR ROAST MARSH-MALLOWES IN THIS APPLIANCE. DOING SO COULD DAMAGE THE APPLIANCE AND CAUSE INJURY.

GENERAL INFORMATION

Note: Installation and repair should be performed by a qualified service person. The appliance should be inspected annually by a qualified professional service technician. More frequent inspections and cleanings may be required due to excessive lint from carpeting, bedding material, etc. It is imperative that the control compartment, burners and circulating air passage ways of the appliance be kept clean.

S'assurer que le brûleur et le compartiment des commandes sont propres. Voir les instructions d'installation et d'utilisation qui accompagnent l'appareil.

Provide adequate clearances around air openings and adequate accessibility clearance for service and proper operation. Never obstruct the front openings of the appliance.

Due to high temperatures the appliance should be located out of traffic and away from furniture and draperies. Locate furniture and window coverings accordingly.

WARNING: THESE FIREPLACES ARE GAS FIREPLACES. DO NOT BURN WOOD OR OTHER MATERIAL IN THESE APPLIANCES.

These appliances are designed to operate on natural or propane gas only.

All Models -

All models have a manually modulated gas valve. Input of these models is shown in the following table:

| Models with Manually-Modulated Gas Valve | | | |
|--|--------------------|-------------|--------------------|
| Natural Gas | | Propane Gas | |
| Model No. | Input rate (BTU/H) | Model No. | Input rate (BTU/H) |
| E360DG | 50,000 to 39,500 | E360DG | 46,000 to 37,000 |
| E420DG | 50,000 to 39,500 | E420DG | 46,000 to 37,000 |

Tables 1 shows the units' gas orifice size for the elevations indicated.

| Model No. | Orifice size | | Elevation Feet (meters) |
|-----------|---------------|---------------|-------------------------|
| | Natural Gas | Propane | |
| E36ODG | 0.1405" (#28) | 0.0785" (#47) | 0-4500 (0-1372) |
| E42ODG | 0.1405" (#28) | 0.0785" (#47) | |

Table 1

Units are tested and approved for elevations of 0 to 4500 feet (0 to 1372 meters).

For elevations above 4500 feet (1372 meters), install the unit according to the regulations of the local authorities having jurisdiction and, in the USA, the latest edition of the National Fuel Gas Code (ANSI Z223.1) or, in Canada, the latest edition of the CAN1-B149.1 and .2 codes.

Maximum manifold pressure is 3.5 in. w.c. (0.87 kPa) for natural gas and 10 in. w.c. (2.49 kPa) for LP/Propane gas.

The minimum manifold pressure on low is 2.2 in. w.c. (0.55 kPa) for natural gas and 6.3 in. w.c. (1.57 kPa) for LP/Propane gas.

Do not use these appliances if any part has been under water. Immediately call a qualified, professional service technician to inspect the appliance and to replace any parts of the control system and any gas control which have been under water.

Ne pas se servir de cet appareil s'il a été plongé dans l'eau, complètement ou en partie. Appeler un technicien qualifié pour inspecter l'appareil et remplacer toute partie du système de contrôle et toute commande qui ont été plongés dans l'eau.

Test gage connections are provided on the front of the electronic gas control valve (identified OUT for the manifold side and IN for inlet pressure). A 1/8" NPT test gage connection is provided on the electronic gas control valve adjacent to the outlet to the main burner.

Minimum inlet gas pressure to these appliances is 5.0 inches water column (1.24 kPa) for natural gas and 11 inches water column (2.74 kPa) for propane for the purpose of input adjustment.

Maximum inlet gas supply pressure to these appliances is 10.5 inches water column (2.61 kPa) for natural gas and 13.0 inches water column (3.23 kPa) for propane.

The appliance and its individual shut-off valve must be disconnected from the gas supply piping system during any pressure testing of that system at pressures in excess of 1/2 psig (3.5 kPa).

Any safety guard or screen removed for servicing the appliance must be replaced prior to operating the appliance.

WARNING: FAILURE TO COMPLY WITH THE INSTALLATION AND OPERATING INSTRUCTIONS PROVIDED IN THIS DOCUMENT WILL RESULT IN AN IMPROPERLY INSTALLED AND OPERATING APPLIANCE, VOIDING ITS WARRANTY. ANY CHANGE TO THIS APPLIANCE AND/OR ITS OPERATING CONTROLS IS DANGEROUS. IMPROPER INSTALLATION OR USE OF THIS APPLIANCE CAN CAUSE SERIOUS INJURY OR DEATH FROM FIRE, BURNS, EXPLOSION OR CARBON MONOXIDE POISONING.

Carbon Monoxide Poisoning: Early signs of carbon monoxide poisoning are similar to the flu with headaches, dizziness and/or nausea. If you have these signs, obtain fresh air immediately. Turn off the gas supply to the appliance and have it serviced by a qualified professional, as it may not be operating correctly.

WARNING: DO NOT PLACE CLOTHING OR OTHER FLAMMABLE MATERIALS ON OR NEAR THIS APPLIANCE.

The appliance must be isolated from the gas supply piping system (by closing its individual manual shut-off valve) during any pressure testing of the gas supply piping system at test pressures equal to or less than 1/2 psig (3.5 kPa).

AVERTISSEMENT: SURVEILLER LES ENFANTS. GARDER LES VÊTEMENTS, LES MEUBLES, L'ESSENCE OU AUTRES LIQUIDES À VAPEUR INFLAMMABLES LOIN DE L'APPAREIL.

WARNING: CHILDREN AND ADULTS SHOULD BE ALERTED TO THE HAZARDS OF HIGH SURFACE TEMPERATURES. USE CAUTION AROUND THE APPLIANCE TO AVOID BURNS OR CLOTHING IGNITION. YOUNG CHILDREN SHOULD BE CAREFULLY SUPERVISED WHEN THEY ARE IN THE SAME ROOM AS THE APPLIANCE.

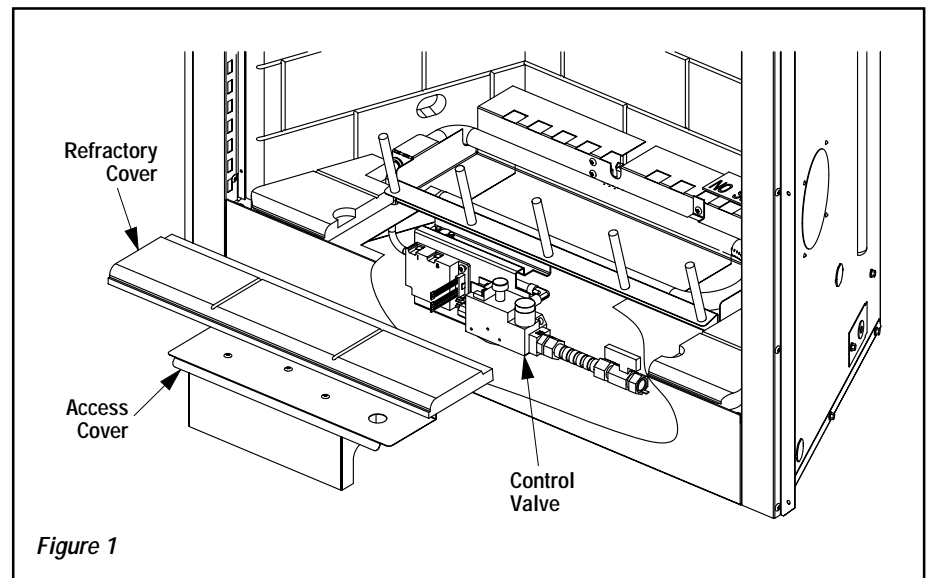


Figure 1

OPERATION AND CARE OF YOUR APPLIANCE

Appliance operation may be controlled by a remotely located wall switch.

Gas Controls/Control Compartment Access

The gas controls can be found beneath the bottom refractory. Remove the bottom refractory by lifting it up. Remove the access cover (refer to *Figure 1*).

All Models -

To light these appliances refer to the detailed lighting instructions found in both English and French on *pages 14 and 15* of these instructions respectively. **The appliance lighting instructions may also be found on the pull out lighting instruction labels attached to the gas control valve.** See *Figure 1* for its location.

Variable Flame Height Adjustment

1. All appliances are equipped with a variable gas control valve. Flame height for these models may be adjusted through a range between fixed low and high settings, alternately, while the appliance is in operation.

Adjust the flame height as desired after lighting the appliance by rotating the variable adjustment control knob located on the front of the valve (see *Figure 2*).

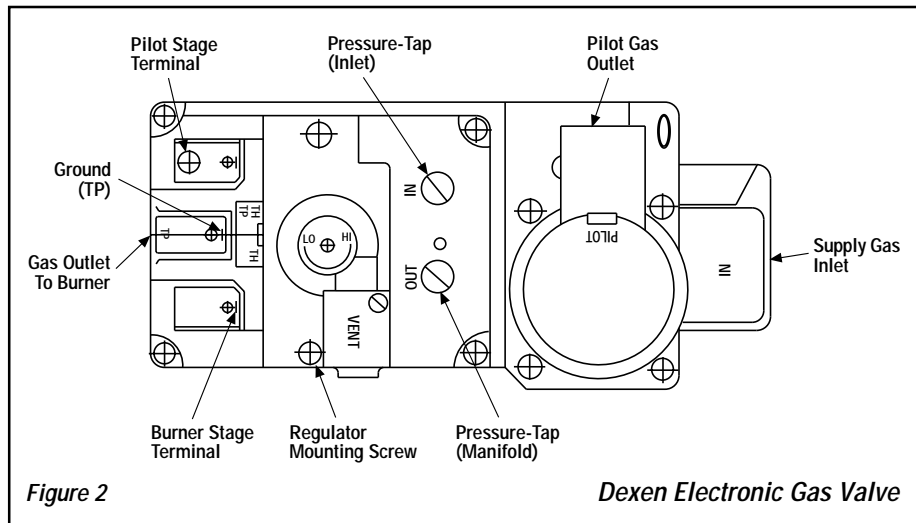


Figure 2

Dexen Electronic Gas Valve

2. When lit for the first time, this appliance will emit a slight odor for an hour or two. This is due to the "burn-in" of internal paints and lubricants used in the manufacturing process.

3. Keep lower control compartment clean by vacuuming or brushing at least twice a year. More frequent cleaning may be required due to excessive lint from carpeting, bedding materials, etc. It is important that control compartments, burners and circulating air passageways of the appliance be kept clean.

4. Always keep the appliance area clear and free from combustible materials, gasoline and other flammable liquids.

Maintenance

The appliance should be thoroughly inspected before initial use and at least annually by a qualified service technician. However, more frequent periodic inspections and cleanings should be performed by the homeowner. **Homeowner must contact a qualified service technician at once if any abnormal condition is observed.**

Refer to the maintenance schedule for maintenance tasks, procedures, periodicity and by whom they should be performed. Always verify proper operation of the appliance after servicing.

IMPORTANT: TURN OFF GAS AND ANY ELECTRICAL POWER BEFORE SERVICING THE APPLIANCE.

Battery Replacement

The intermittent ignition system operates on 3 volts provided by two (2) "D" cell batteries. The batteries are located in a pack installed within the J-Box, behind the stainless ON/OFF switch panel. *Refer to Figure 3.*

Note: All batteries loose voltage when frozen or left for prolonged periods. It may be wise to remove batteries during extended periods of disuse.

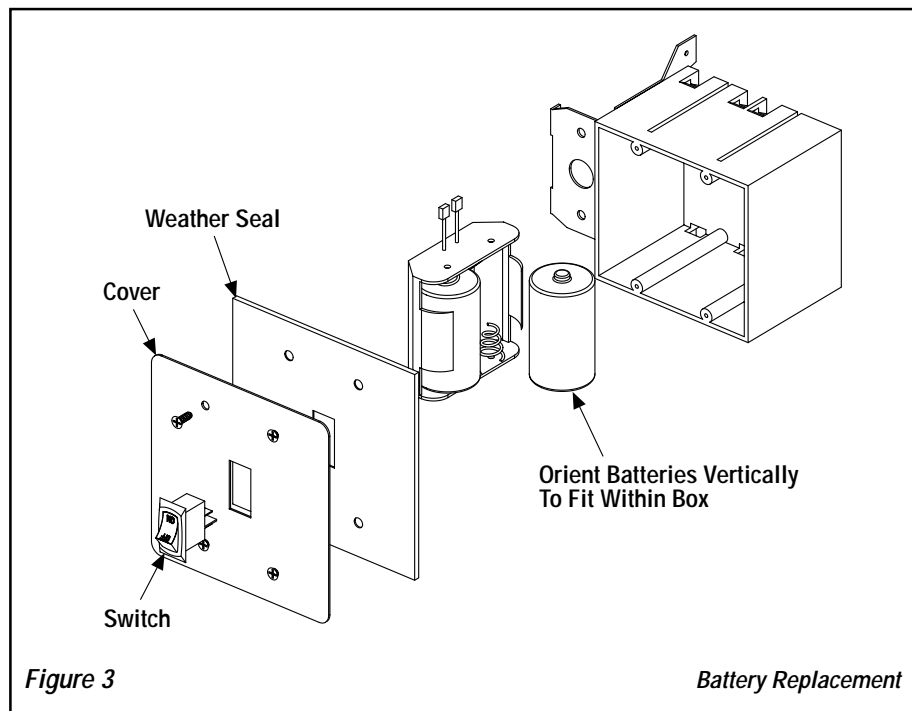


Figure 3

Battery Replacement

Maintenance Schedule

Annually (Before the onset of the Burning Season)

| Maintenance Task | Accomplishing Person | Procedure |
|---|---|--|
| Inspecting/Cleaning Burner, Logs and Controls | Qualified Service Technician | Inspect valve and ensure it is properly operating. Check piping for leaks. Vacuum the control compartment, fireplace logs and burner area. |
| Inspecting/Cleaning Pilot and Burner | Qualified Service Technician | Refer to <i>Figure 7 (Dexen) on page 8</i> . Remove any surface build-up on pilot and burner assembly. Wipe the pilot nozzles, ignitor/flame rod and hood. Ensure the pilot flame engulfs the flame sensor as shown. |
| Appliance Checkout | Qualified Service Technician | Perform the appropriate appliance checkout procedure detailed in this manual. |
| Replacing Rock Ember Materials | Homeowner/Qualified Services Technician | Remove old ember materials and vacuum the rock placement area. Place new rock as described in this document. |
| Replace Spent Batteries | Homeowner | Locate and remove the four (4) screws retaining the stainless J-Box cover. Remove the battery pack and replace the two (2) "D" cell batteries. |

Periodically (After the Burning Season)

| Maintenance Task | Accomplishing Person | Procedure |
|---------------------------|----------------------|---|
| Cleaning Firebox Interior | Homeowner | Carefully remove logs and decorative volcanic stone. Vacuum out interior of the firebox. Clean firebox walls and log grate. Replace logs, Rockwool and volcanic stone as detailed in this manual. |
| Replace Spent Batteries | Homeowner | Locate and remove the four (4) screws retaining the stainless J-Box cover. Remove the battery pack and replace the two (2) "D" cell batteries. |

Burner Adjustments

The following paragraphs address burner adjustment concerns and procedures.

Flame Appearance and Sooting

Proper flame appearance is a matter of taste. Generally most people prefer the warm glow of a yellow to orange flame. Appliances operated with air shutter openings that are too large will exhibit flames that are blue and transparent. These weak, blue and transparent flames are termed anemic. If the air shutter opening is too small excessive sooting may develop.

Sooting is indicated by black puffs developing at the tips of very long orange flames. Sooting results in black deposits forming on the logs, appliance inside surfaces and on exterior surfaces adjacent to the face opening.

Sooting is caused by incomplete combustion in the flames and a lack of combustion air entering the air shutter opening. To achieve a warm yellow to orange flame with an orange body that does not soot, the shutter opening must be adjusted between these two extremes.

These appliances should not smoke. Small amounts of soot will accumulate over time and should be expected. This soot adds to the realism of the firebox interior. The logs can be cleaned, when cool, with a soft brush and small amounts of water.

If the logs are properly positioned and excessive sooting conditions exist, the air shutter opening on the main burner tube should be adjusted. Keep in mind that this is an outdoor appliance. Wind and air currents cannot be strictly controlled.

If the flame acts too erratically, we recommend that the screens be closed.

WARNING: AIR SHUTTER ADJUSTMENT SHOULD ONLY BE PERFORMED BY A QUALIFIED PROFESSIONAL SERVICE TECHNICIAN.

Burner Adjustment

CAUTION: THE SHUTTER AND NEARBY APPLIANCE SURFACES ARE HOT. EXERCISE CAUTION TO AVOID INJURY WHILE ADJUSTING FLAME APPEARANCE.

To adjust the flame, turn the shutter (located in the left side of the burner pan) up or down to increase or reduce the air shutter opening, respectively. **Position the air shutter to the factory setting, as shown in Figure 4.**

Allow the burner to operate for at least 15 minutes. Observe the flame continuously. If it appears weak or sooty as previously described, adjust the air shutter by rotating the shutter until the flame appearance is as desired.

When satisfied that the appliance operates properly, proceed to finish the installation. Leave the control knob in "ON" position and turn the remote switch "OFF." Reinstall the access and refractory cover.

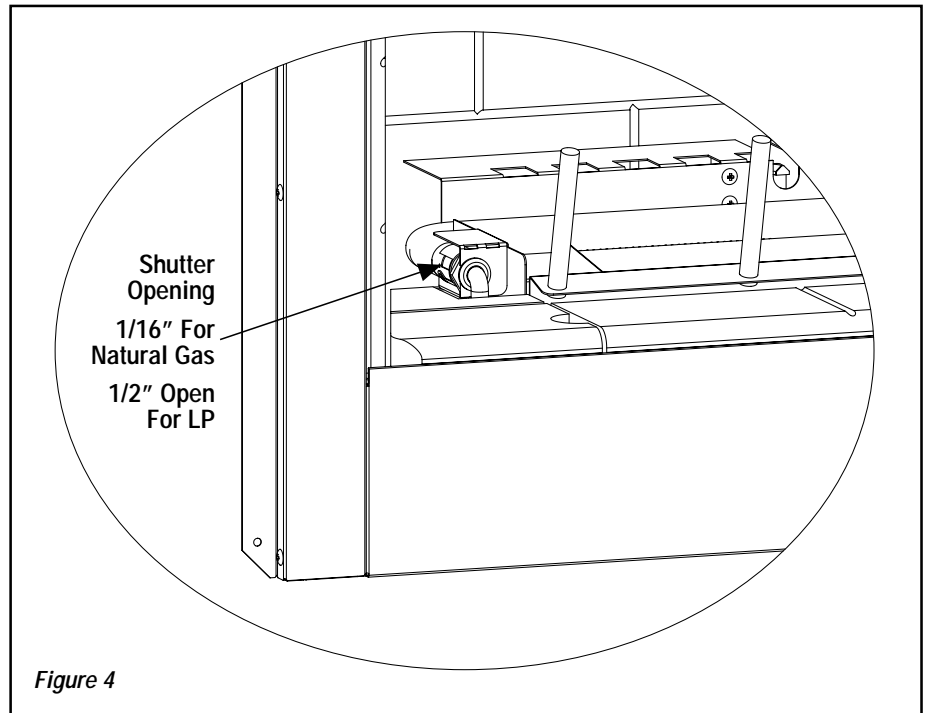


Figure 4

Log Placement

WARNING: LOGS GET VERY HOT AND WILL REMAIN HOT UP TO ONE HOUR AFTER GAS SUPPLY IS TURNED OFF. HANDLE ONLY WHEN LOGS ARE COOL. TURN OFF ALL ELECTRICITY TO THE APPLIANCE BEFORE YOU INSTALL GRATE AND LOGS.

WARNING: THIS APPLIANCE IS NOT MEANT TO BURN WOOD. ANY ATTEMPT TO DO SO COULD CAUSE IRREPARABLE DAMAGE TO YOUR APPLIANCE AND PROVE HAZARDOUS TO YOUR SAFETY.

WARNING: THE SIZE AND POSITION OF THE LOG SET WAS ENGINEERED TO GIVE YOUR APPLIANCE A SAFE, RELIABLE AND ATTRACTIVE FLAME PATTERN. ANY ATTEMPT TO USE A DIFFERENT LOG SET IN THE FIREPLACE WILL VOID THE WARRANTY AND WILL RESULT IN INCOMPLETE COMBUSTION, SOOTING, AND POOR FLAME QUALITY.

CAUTION: NEVER OPERATE THE FIREPLACE WITHOUT THE LAVA ROCKS IN THE BURNER PAN. PROLONGED USE WITHOUT THE ROCK IN PLACE WILL OVERHEAT THE PAN AND CAUSE THE FIREPLACE TO SHUTOFF AUTOMATICALLY.

After verifying that the fireplace operates properly, replace the cover and set the bottom refractory components in place.

Use two (2) bags of lava rock to fill the bottom of the burner tray to completely cover the burner tube. Level the rock evenly.

Place the rear log approximately centered as shown in *Figure 5*.

Place the base log approximately as shown in *Figure 6*.

The remaining logs can be placed across the rear and base log approximately as shown in *Figure 7*. The exact position of these logs is not critical. Due to the nature of an outdoor environment, the flame will never be strictly controlled. You may need to reposition the logs to get the effect you find most desirable.

**WARNING: LAVA ROCK WITHIN THE BURNER CAN "POP" FOR THE FIRST FEW FIRES. WIND BORNE DEBRIS MAY ALSO ENTER THE FIREPLACE INEXPE-
DIENTLY. IN HIGH WIND CONDITIONS, OPERATE THE APPLIANCE WITH THE SCREENS OR DOORS CLOSED.**

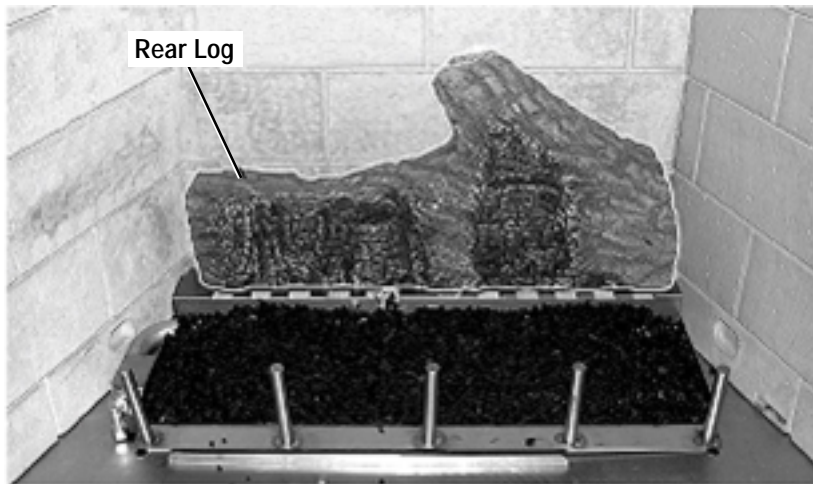


Figure 5

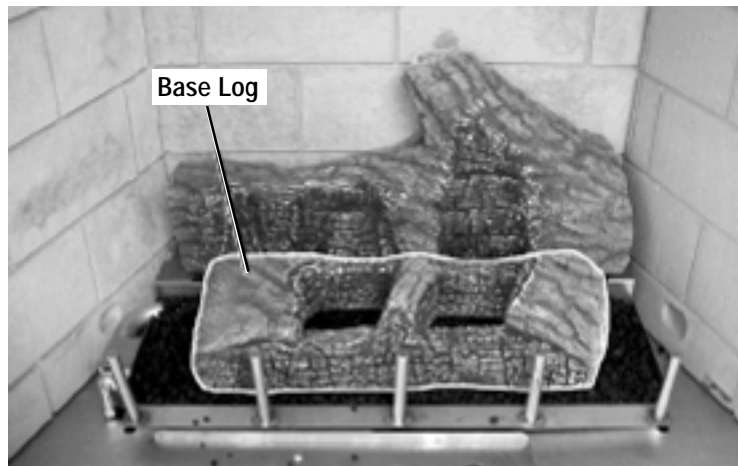


Figure 6

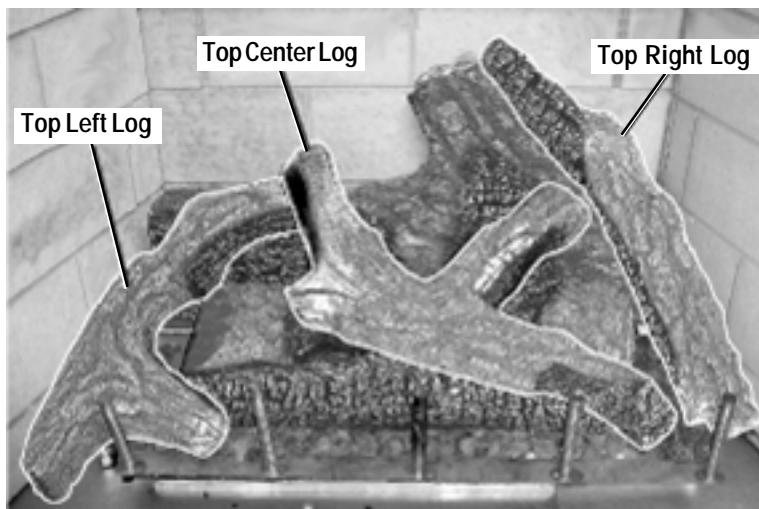


Figure 7

Electronic Appliance Checkout

To light the burner, refer to the lighting instructions on **page 12 and 13**. Ensure the ignitor lights the pilot. The pilot flame should engulf the flame sensor as shown in **Figure 8**.

With proper care and maintenance, your appliance will provide many years of enjoyment. If you should experience any problem, first refer to the trouble shooting guide in this manual. If problem persists, contact your Lennox distributor.

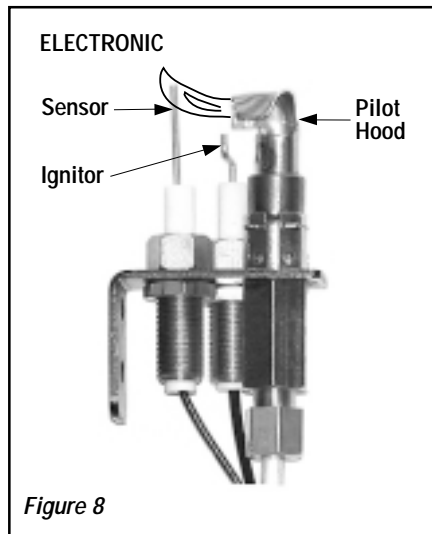
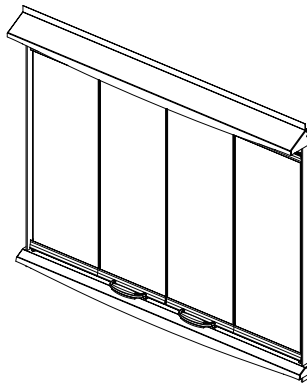


Figure 8

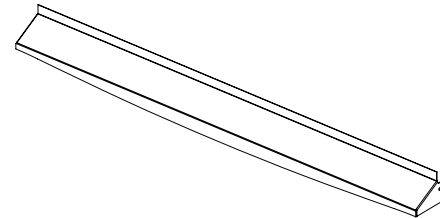
ACCESSORY COMPONENTS



Decorative Bi-Fold Doors

This attractive Bi-Fold door is easy to install and enhances the appearance of the appliance.

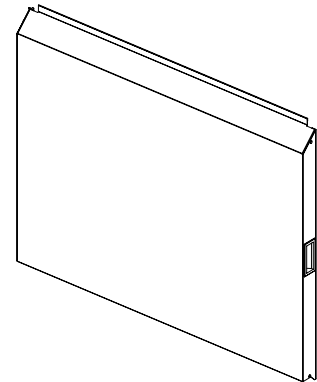
| Decorative Bi-Fold Doors | | |
|--------------------------|------------|-----------------------------|
| Cat. No. | Model | Description |
| H4645 | 36LBFOD-BS | 36" Otrd B-F Door, Brshd SS |
| H4646 | 42LBFOD-BS | 42" Otrd B-F Door, Brshd SS |



Hood Kit

This attractive Hood Kit is easy to install and enhances the appearance of the appliance.

| Outdoor Hood Kit | | |
|------------------|---------|--------------------------|
| Cat. No. | Model | Description |
| H4818 | ODGHK36 | 36" Hood Kit Outdoor Gas |
| H4819 | ODGHK42 | 42" Hood Kit Outdoor Gas |



Outdoor Weather Cover

This attractive Outdoor Weather Cover is easy to install and protects the firebox interior from adverse weather.

| Outdoor Weather Cover | | |
|-----------------------|---------|---------------------------|
| Cat. No. | Model | Description |
| H4647 | 36-EODC | 36" SS Otrd Weather Cover |
| H4648 | 42-EODC | 42" SS Otrd Weather Cover |



| Decorative Volcanic Stone | | |
|---------------------------|-----------|-----------------------|
| Cat. No. | Model No. | Description |
| 80L42 | FDVS | Bag of Volcanic Stone |

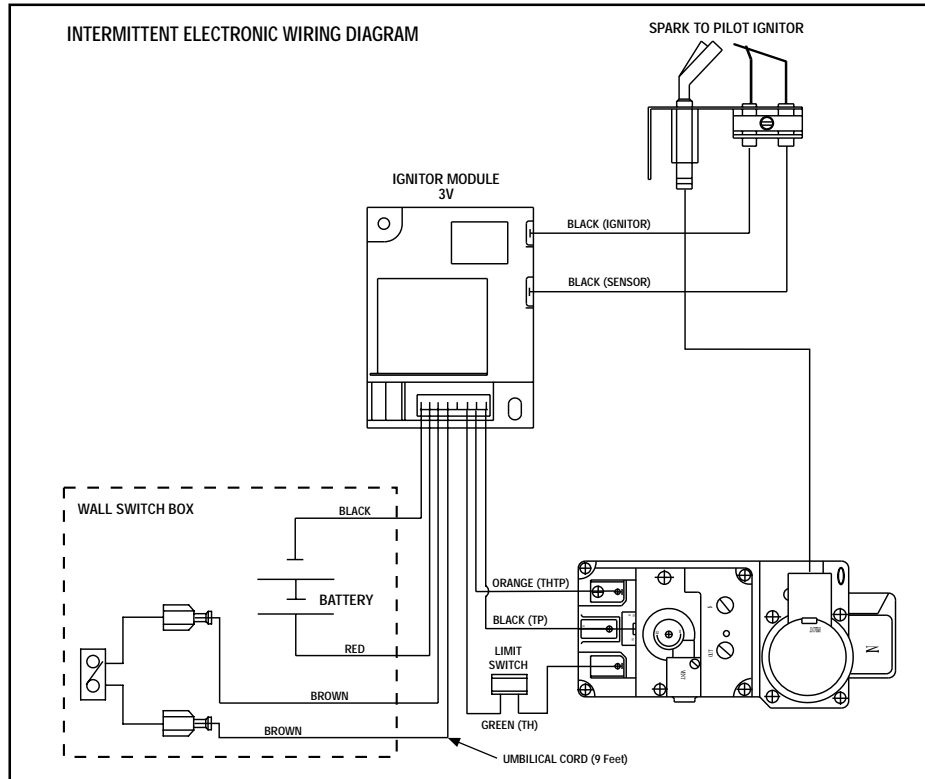
Decorative Volcanic Stone

The decorative volcanic stone, Model FDVS, can be used to enhance the look of your appliance. Order model FDVS for replacement of stone when needed. Spread the decorative volcanic stone evenly around the bottom of the firebox.

WIRING DIAGRAMS

Wiring diagrams are provided here for reference purposes only. This information is also provided on schematics attached directly to the appliance on a pullout panel located within the control compartment.

CAUTION: LABEL ALL WIRES PRIOR TO DISCONNECTION WHEN SERVICING CONTROLS. WIRING ERRORS CAN CAUSE IMPROPER AND DANGEROUS APPLIANCE OPERATION.



WARRANTY

Your gas appliance is covered by a limited twenty year warranty. You will find a copy of the warranty accompanying this manual. Please read the warranty to be familiar with its coverage.

Retain this manual. File it with your other documents for future reference.

PRODUCT REFERENCE INFORMATION

We recommend that you record the following important information about your fireplace. Please contact your Lennox dealer for any questions or concerns. For the number of your nearest Lennox dealer, please call 1-800-9-LENNOX.

| |
|--|
| Your Fireplace's Model Number _____ |
| Your Fireplace's Serial Number _____ |
| The Date On Which Your Fireplace Was Installed _____ |
| The Type of Gas Your Fireplace Uses _____ |
| Your Dealer's Name _____ |

REPLACEMENT PARTS

A complete parts list is found at the end of this manual. Use only parts supplied from the manufacturer.

Normally, all parts should be ordered through your Lennox distributor or dealer. Parts will be shipped at prevailing prices at time of order.

When ordering repair parts, always give the following information:

1. The model number of the appliance.
2. The serial number of the appliance.
3. The part number.
4. The description of the part.
5. The quantity required.
6. The installation date of the appliance.

If you encounter any problems or have any questions concerning the installation or application of this system, please contact your distributor, or Lennox directly:

LENNOX HEARTH PRODUCTS
 1110 West Taft Avenue
 Orange, CA 92865

LIGHTING INSTRUCTIONS — ELECTRONIC

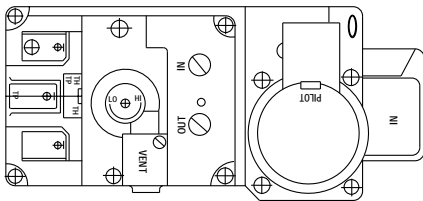
FOR YOUR SAFETY READ BEFORE LIGHTING

WARNING: IF YOU DO NOT FOLLOW THESE INSTRUCTIONS EXACTLY, A FIRE OR EXPLOSION MAY RESULT CAUSING PROPERTY DAMAGE, PERSONAL INJURY OR LOSS OF LIFE.

- A. When lighting the appliance, follow these instructions exactly.
- B. **BEFORE OPERATING** smell all around the appliance area for gas. Be sure to smell next to the floor because some gas is heavier than air and will settle on the floor.
- WHAT TO DO IF YOU SMELL GAS**
- Extinguish any open flame.
 - Open windows.
 - Do not light any appliance.
 - Do not touch any electrical switches.
 - Do not use any phone in your building.
- Immediately call your gas supplier from a neighbor's phone.
 - If your gas supplier cannot be reached, call the fire department.
- C. Use only your hand to turn the gas control lever. Never use tools. If the lever will not turn by hand, do not try to repair it, call a qualified service technician. Force or attempted repair may result in a fire or an explosion.
- D. Do not use this appliance if any part has been under water. Immediately call a qualified service technician to inspect the appliance and to replace any part of the control system and any gas control which has been under water.

LIGHTING INSTRUCTIONS

1. **STOP!** Read the safety information above on this page.
2. Turn remote wall switch to "OFF".
3. This appliance is equipped with an ignition device which automatically lights the pilot. Do not try to light the pilot by hand.
4. Allow sufficient length of time (minimum 5 minutes) for any gas in the combustion chamber to escape. If you still smell gas, **STOP!** Follow "B" in the safety information above on this page. If you do not smell gas, go to the next step.
5. Push the wall mounted "ON/OFF" switch back to the "ON" position.
 - If the burner does not light, replace steps 2 through 5.
 - If the burner will not light or stay lit after several tries, turn the wall mounted "ON/OFF" switch to the "OFF" position and call your service technician or gas supplier. **Note:** Sufficient time must be allowed for air to escape from lines if the unit is being lit for the first time.
6. Turn HI-LO burner control knob to desired setting and close control door.
7. If the appliance will not operate, follow the instructions "To Turn Off Gas To Appliance" and call your service technician or gas supplier.



TO SHUT OFF

1. Turn off all electrical power to the appliance (remote wall switch).

TO TURN OFF GAS TO APPLIANCE

1. For complete shut-down, turn remote wall switch to "OFF".
2. Turn off all electrical power to the appliances and remove the batteries if service is to be performed or for extended shutdown.

INSTRUCTIONS D'ALLUMAGE — ELECTRONIC

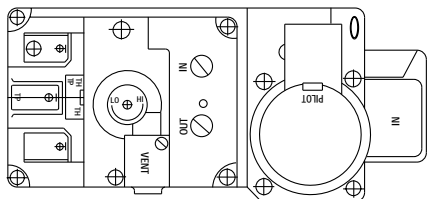
POUR VOTRE SÉCURITÉ, LISEZ CES INSTRUCTIONS AVANT L'ALLUMAGE

AVERTISSEMENT: SI VOUS NE SUIVEZ PAS CES INSTRUCTIONS À LA LETTRE, IL POURRAIT S'EN SUIVRE UN INCENDIE OU UNE EXPLOSION CAUSANT DES DOMMAGES MATÉRIELS, DES BLESSURES CORPORELLES OU MÊME DES PERTES DE VIE.

- A. Lorsque vous allumez l'appareil, suivez exactement ces instructions.
- B. **AVANT L'ALLUMAGE:** Assurez-vous que vous ne détectez aucune odeur de gaz autour de l'appareil ainsi que près du sol; certains gaz, étant plus lourds que l'air, descendent au niveau du sol.
- VOICI CE QUE VOUS DEVEZ FAIRE SI VOUS DÉCELEZ UNE ODEUR DE GAZ**
- Éteignez toute flamme visible.
 - Ouvrez les fenêtres.
 - N'allumez aucun appareil.
 - Ne touchez à aucun commutateur électrique.
 - Ne vous servez d'aucun téléphone dans votre édifice.
- Appelez immédiatement votre compagnie de gaz en utilisant le téléphone du voisin.
 - S'il vous est impossible de contacter votre compagnie de gaz, appelez le service des incendies.
- C. N'utilisez que votre main pour manipuler l'interrupteur "ON/OFF" de la valve à gaz. N'utilisez jamais d'outils. Si l'interrupteur ne bouge pas manuellement, n'essayez pas de le réparer. Communiquez immédiatement avec un technicien de service qualifié. Toute tentative pour forcer l'interrupteur ou le réparer, risquerait de provoquer un incendie ou une explosion.
- D. Ne vous servez pas de cet appareil si l'un de ses éléments a été immergé dans l'eau. Appelez immédiatement un technicien compétent pour faire inspecter l'appareil et remplacer toute pièce du système de réglage ou commande du gaz qui a été sous l'eau.

INSTRUCTIONS D'ALLUMAGE

1. **ARRÊTEZ !** Lisez les consignes de sécurité au verso de cette plaque.
2. Tournez l'interrupteur mural à distance à la position arrêt (off) ou placez le thermostat à la plus basse température possible, si requis.
3. Cet appareil est équipé d'un dispositif d'allumage qui allume automatiquement le brûleur. N'essayez pas d'allumer le brûleur à la main.
4. Attendez au moins 5 minutes pour que le gaz qui se trouve dans la chambre de combustion puisse s'échapper. Si vous sentez encore une odeur de gaz, **ARRÊTEZ !** Référez-vous à la section B des consignes de sécurité de l'autre côté de cette plaque. Si vous ne sentez pas d'odeur de gaz, allez à la prochaine étape.
5. Poussez le commutateur de L'unité à la position marche (on) le commutateur de l'unité peut aussi être complémenté d'un interrupteur mural.
 - si le brûleur ne s'allume pas, répétez les étapes 2 à 5.
 - si le brûleur ne s'allume pas ou ne reste pas allumé après plusieurs essais, tournez le commutateur de l'unité à la position arrêt (off) et appelez votre fournisseur de gaz ou votre technicien de service.**Note :** Si vous allumez l'unité pour la première fois, vous devrez attendre un certain temps afin que l'air puisse s'échapper des conduits.
6. Tournez le bouton de commande du brûleur HI-LO à la position désirée et fermez la porte. Ajustez le thermostat à la température désirée, si requis.
7. Si l'appareil ne fonctionne pas, suivez les instructions Comment fermer le gaz qui alimente l'appareil et contactez votre fournisseur de gaz ou technicien de service.



POUR ÉTEINDRE L'APPAREIL

1. Coupez le courant électrique qui alimente l'appareil (interrupteur mural) ou placez le thermostat à la plus basse température, si requis.

POUR FERMER LE GAZ QUI ALIMENTE L'APPAREIL

1. Pour une fermeture complète, tournez l'interrupteur mural à la position arrêt (OFF) ou placez le thermostat à la plus basse température.
2. Coupez l'alimentation électrique du foyer et retirez les batteries de sécurité si vous prévoyez faire le service de l'appareil ou si vous ne l'utilisez pas à long terme.

TROUBLESHOOTING THE ELECTRONIC IGNITION SYSTEM

Note: Before troubleshooting, be sure that the appliance main line gas shut-off valve, the gas control valve and the wall switch are in the "ON" position.

Important: Valve system troubleshooting should only be accomplished by a qualified service technician.

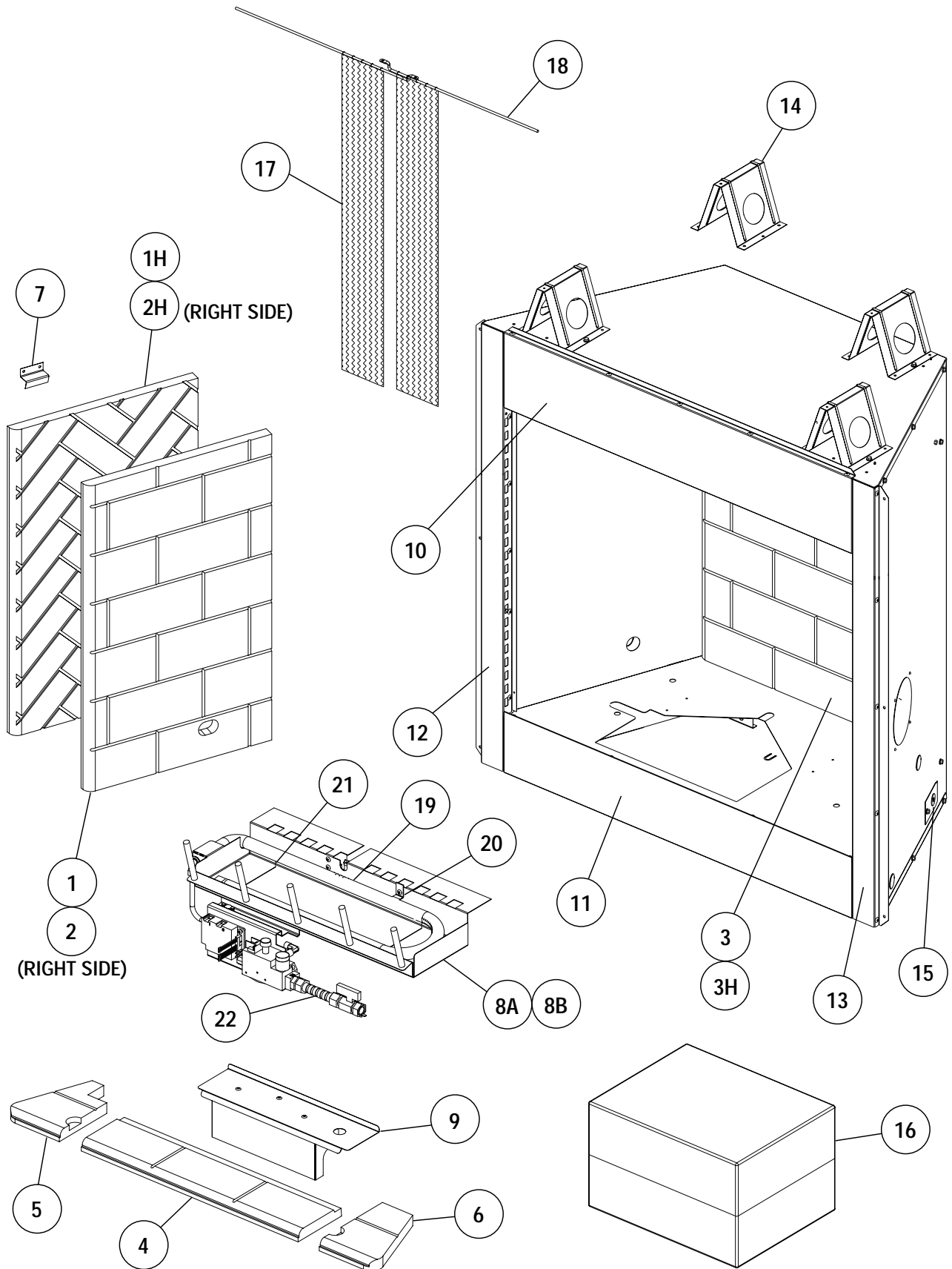
| SYMPTOM | POSSIBLE CAUSES | CORRECTIVE ACTION |
|--|---|--|
| 1. Nothing happens when ON/OFF switch is turned on (pilot does not spark). | A. Dead batteries. | Replace batteries (Refer to page 4). |
| | B. Low voltage/or bad lead wires. | Check voltage on the batteries. The value should be around 2.7 to 3.2 VAC. Confirm that wire connections are secure. |
| | C. Damaged igniter wire. | Check for visible cracked casing, cuts, etc. |
| | D. Damaged pilot assembly. | Check pilot assembly for visibly broken spark electrode, etc. |
| 2. The main burner does not light and the igniter is sparking. | A. No fuel supply. | Ensure that the gas supply is turned on. |
| | B. Loose sensor wire. | Ensure sensor wire connection is secure. |
| | C. Lose wires to valve. | Ensure black, green and orange wires connection is secure to valve. |
| | D. Loose wires to ignition module. | Ensure black sensor wire (S) and black igniter wire (I) is secure to ignition module. |
| | E. Air in the gas line. | Purge gas line of air. |
| | F. Low voltage. | Test voltage at the batteries. It should be around 2.7 to 3.2 VAC. |
| 3. The main burner come "ON" but then go "OFF". | A. Gas supply is turned "OFF". | Turned gas supply to "ON". |
| | B. Loose wire connection on valve or ignition module. | Check wire connection. |
| | C. Flame does not engulf flame sensor. | Check location of sensor. |
| 4. Log soot. | A. Flame impingement on the log. | Check for proper log placement. |
| | B. Improper air shutter opening. | Check for proper air shutter openings. |
| 5. The main burner shuts off but the pilot remains lit. | A. Lose wire to valve or limit switch has activated. | Reset the limit switch. Check the burner pan for the proper application of lava rock. |

NOTES:

REPLACEMENT PARTS LIST

| No. | DESCRIPTION | 36" ODG | | 42" ODG | |
|-----|----------------------------------|----------|------|----------|------|
| | | Part No. | Qty. | Part No. | Qty. |
| | Gas Fireplace Assembly | - | - | - | - |
| 1. | Refractory, LH Side | H3817 | 1 | H3817 | 1 |
| 1H. | Refractory, LH Herringbone | H3830 | 1 | H3830 | 1 |
| 2. | Refractory, RH Side | H3816 | 1 | H3816 | 1 |
| 2H. | Refractory, RH Herringbone | H3829 | 1 | H3829 | 1 |
| 3. | Refractory, Rear | H3819 | 1 | H3824 | 1 |
| 3H. | Refractory, Rear Herringbone | H3823 | 1 | H3831 | 1 |
| 4. | Refractory, Bottom, Middle | H4952 | 1 | H4952 | 1 |
| 5. | Refractory, Bottom, Side (LH) | H4948 | 1 | H4949 | 1 |
| 6. | Refractory, Bottom, Side (RH) | H4950 | 1 | H4951 | 1 |
| 7. | Clip, Refractory | H3998 | 4 | H3998 | 4 |
| 8A. | Gas Train Assembly (Natural Gas) | H4941 | 1 | H4941 | 1 |
| 8B. | Gas Train Assembly (Propane Gas) | H4942 | 1 | H4942 | 1 |
| 9. | Valve Cover Assembly | H4947 | 1 | H4947 | 1 |
| 10. | Top Frame | H4933 | 1 | H4934 | 1 |
| 11. | Bottom Frame | H4935 | 1 | H4936 | 1 |
| 12. | Corner Post (LH) | H4937 | 1 | H4937 | 1 |
| 13. | Corner Post (RH) | H4938 | 1 | H4938 | 1 |
| 14. | Stand-Off Bracket | H3812 | 4 | H3812 | 4 |
| 15. | Cover Plate (Gas Access) | H4955 | 1 | H4955 | 1 |
| 16. | Log Set | H4932 | 1 | H4932 | 1 |
| 17. | Screen | H4926 | 2 | H4927 | 2 |
| 18. | Screen Rod | H4939 | 2 | H4940 | 2 |
| 19. | Tube, Burner Assembly | H4930 | 1 | H4930 | 1 |
| 20. | Burner Bracket | H4892 | 2 | H4892 | 2 |
| 21. | Burner Tube Support | H4953 | 2 | H4953 | 2 |
| 22. | Flex Connector | 43K33 | 2 | 43K33 | 2 |
| 23. | Volcanic Stone (Not Pictured) | 80L42 | 3 | 80L42 | 3 |
| 24. | Electrical Kit (Not Pictured) | H4954 | 1 | H4954 | 1 |

REPLACEMENT PARTS



NOTE: DIAGRAMS & ILLUSTRATIONS NOT TO SCALE.

Lennox Hearth Products reserves the right to make changes at any time, without notice, in design, materials, specifications, prices and also to discontinue colors, styles and products. Consult your local distributor for fireplace code information.

Printed in U.S.A. © 2006 by Lennox Hearth Products
P/N 875,032M REV. C 09/2008



HEARTH PRODUCTS

1110 West Taft Avenue • Orange, CA 92865