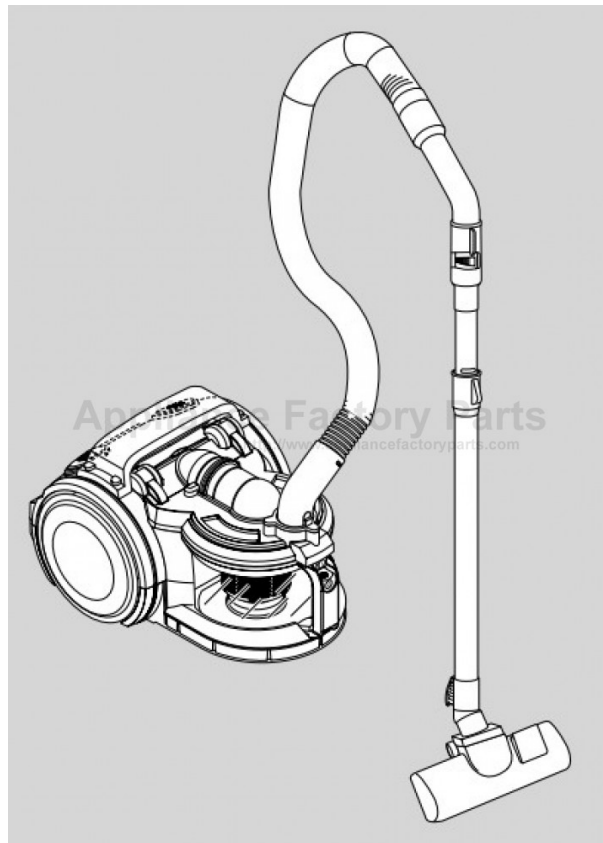


This Owner's Manual is provided and hosted by [Appliance Factory Parts](http://ApplianceFactoryParts.com).



Black & Decker VO1810 Owner's Manual

[Shop genuine replacement parts for Black & Decker
VO1810](#)



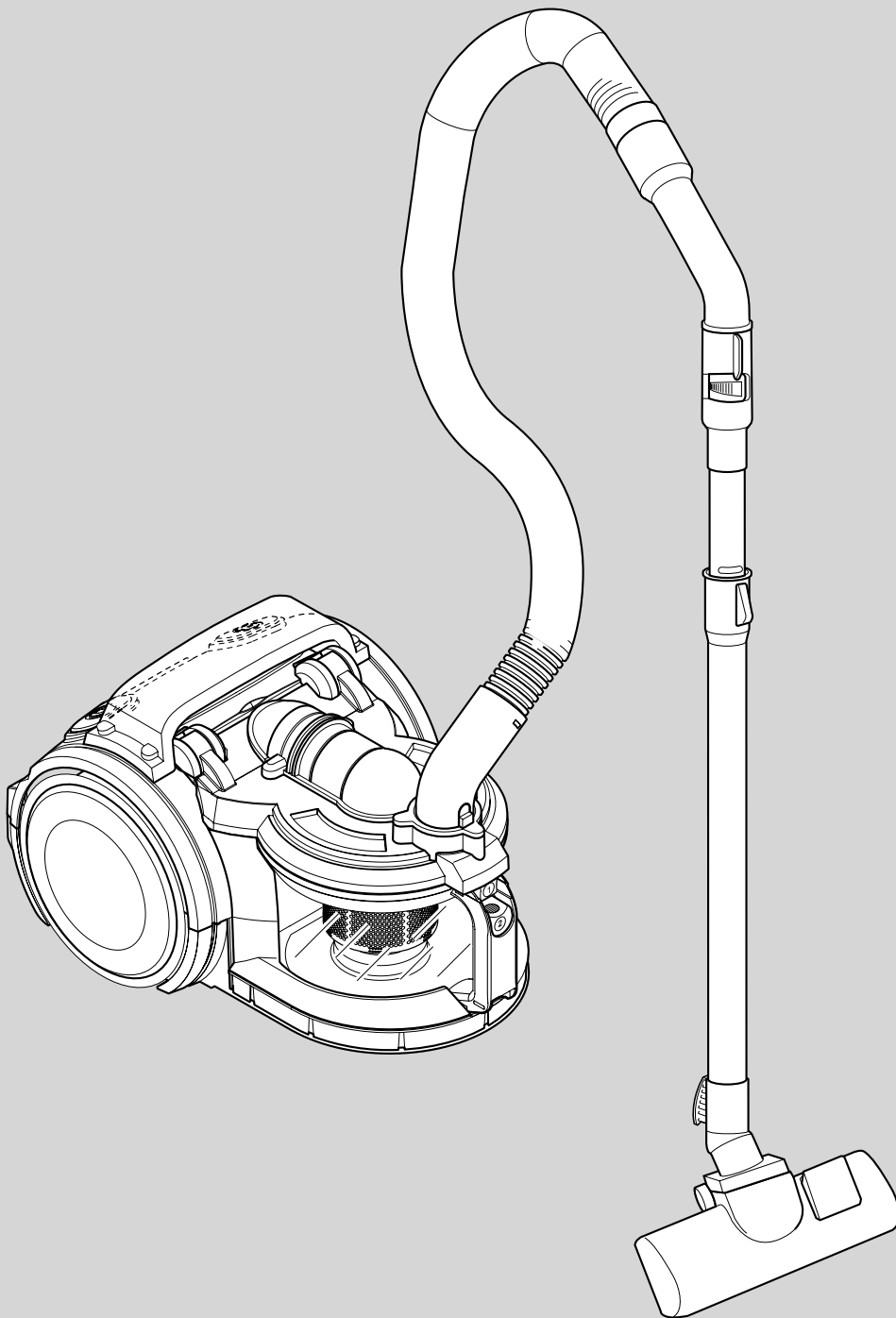
[Find Your Black & Decker Vacuum Cleaner Parts - Select From 339 Models](#)

----- Manual continues below -----



BLACK & DECKER®

www.blackanddecker.co.uk

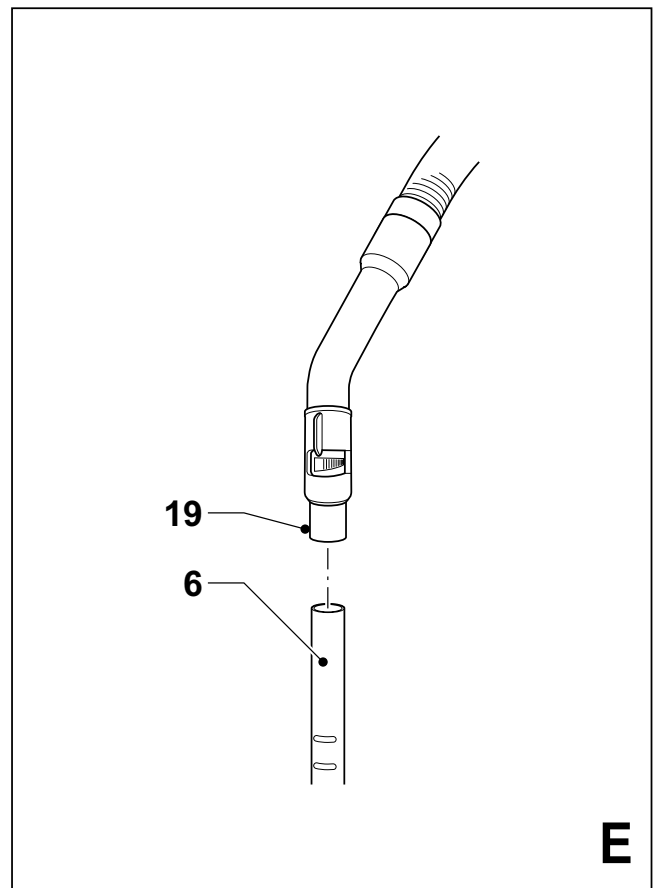
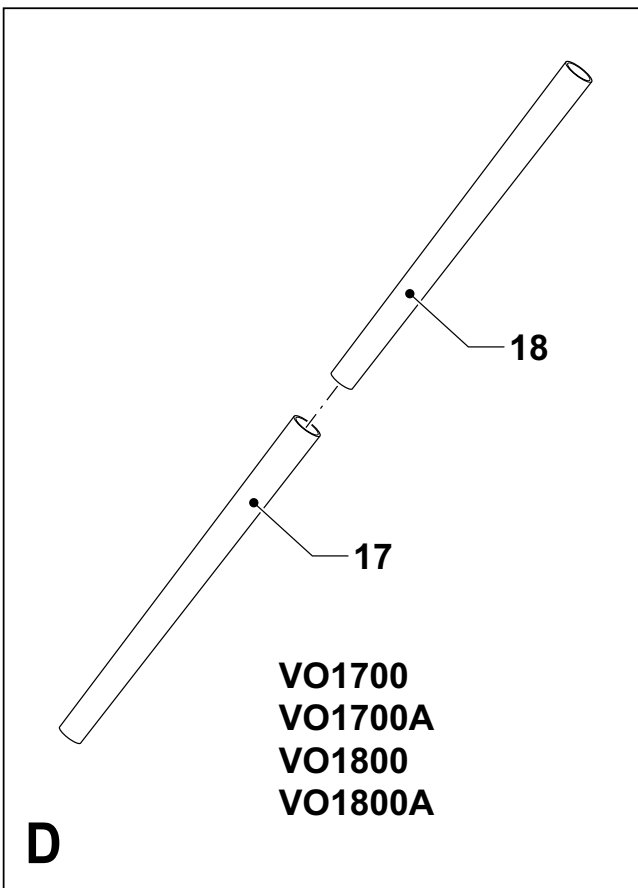
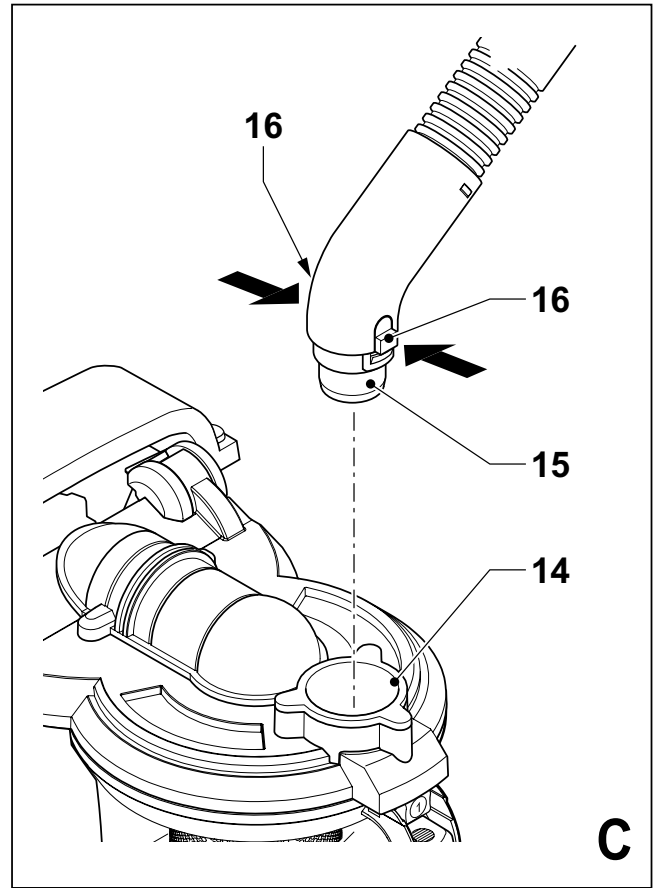
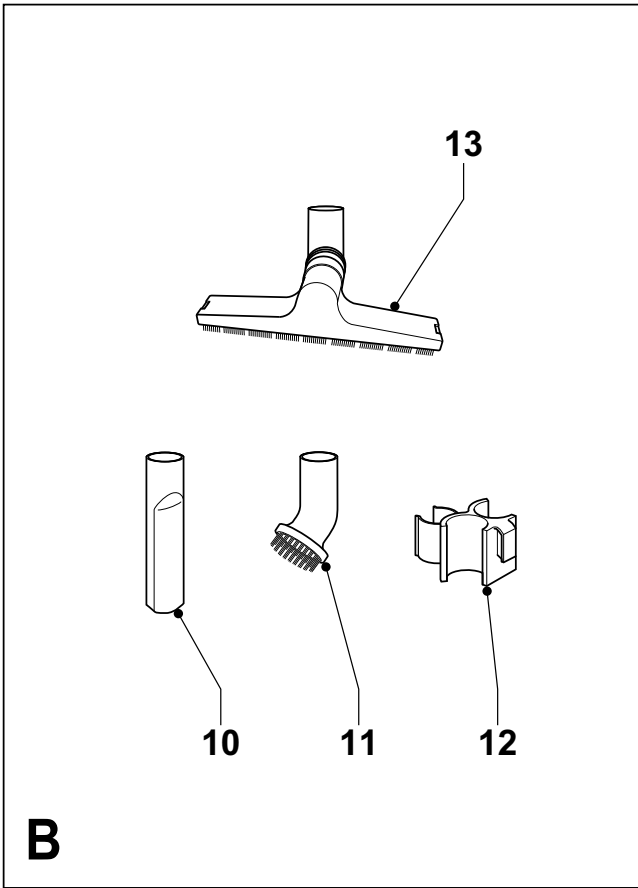


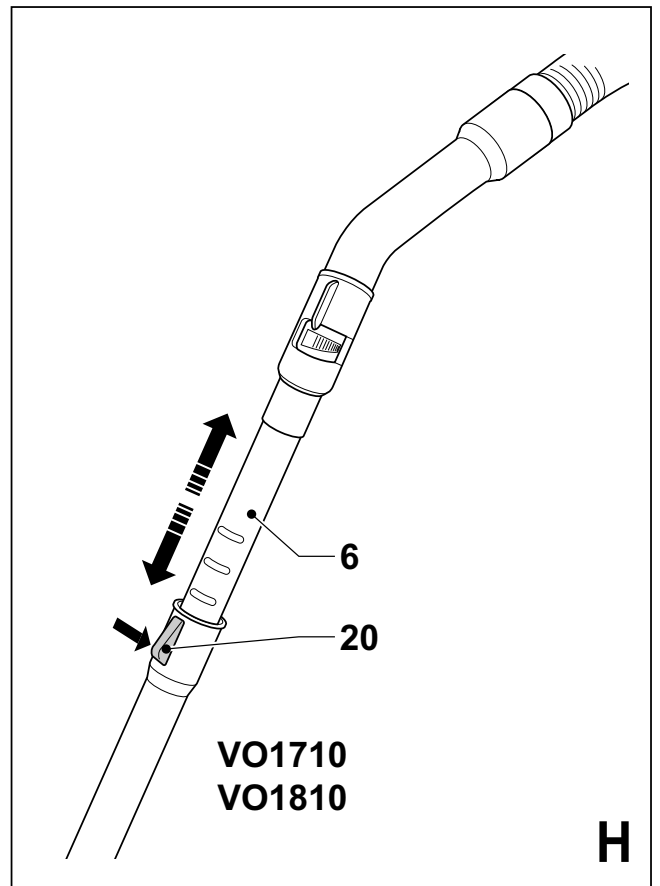
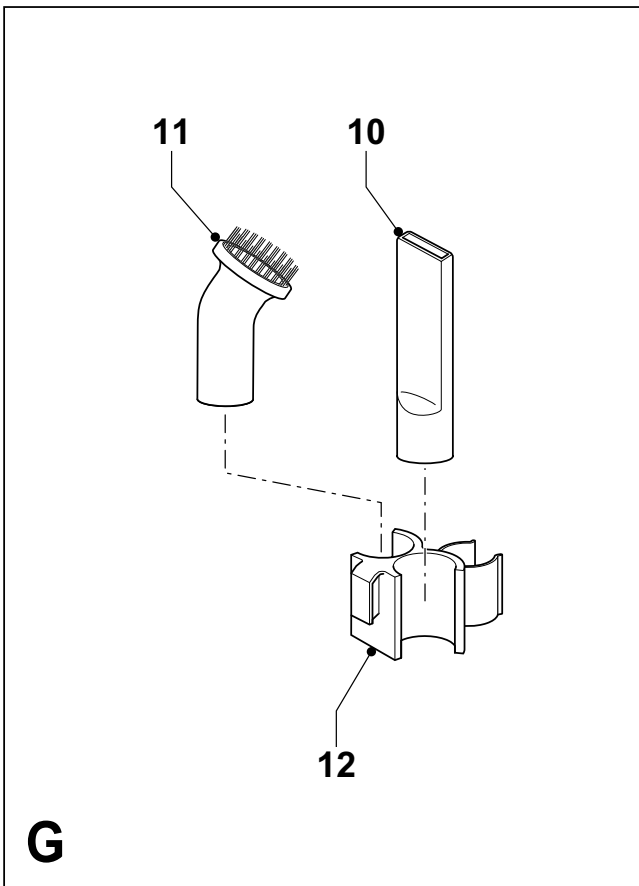
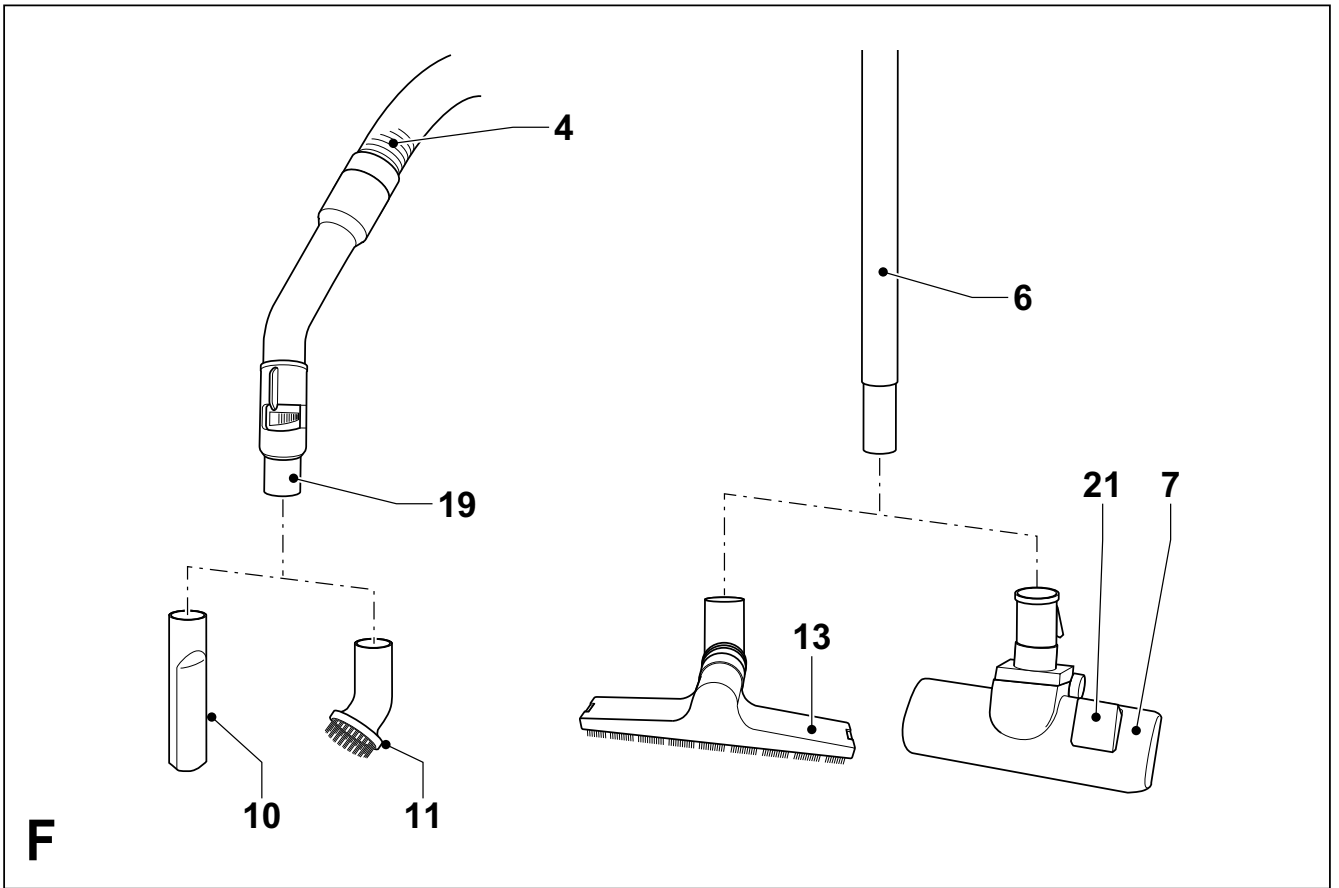
UK

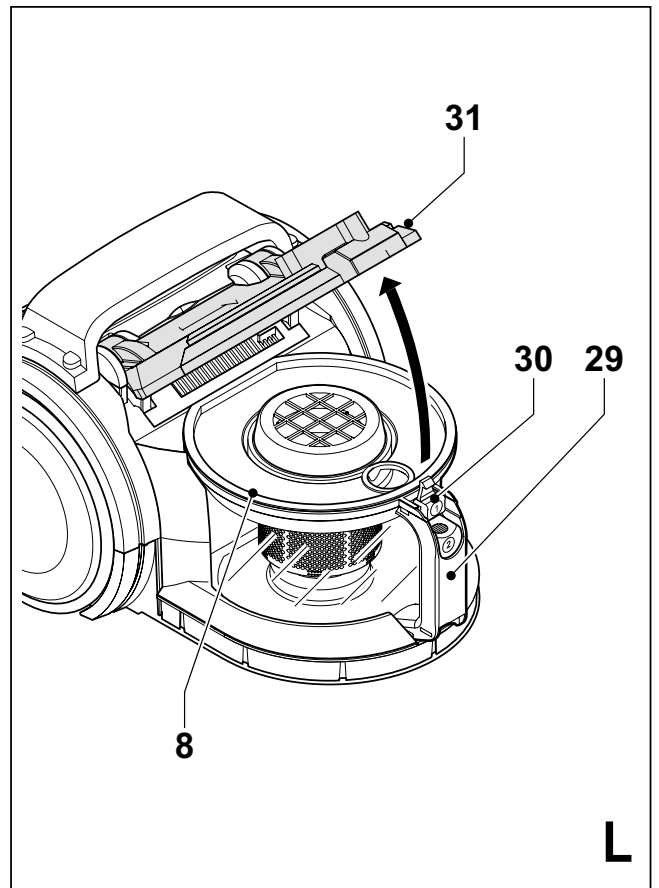
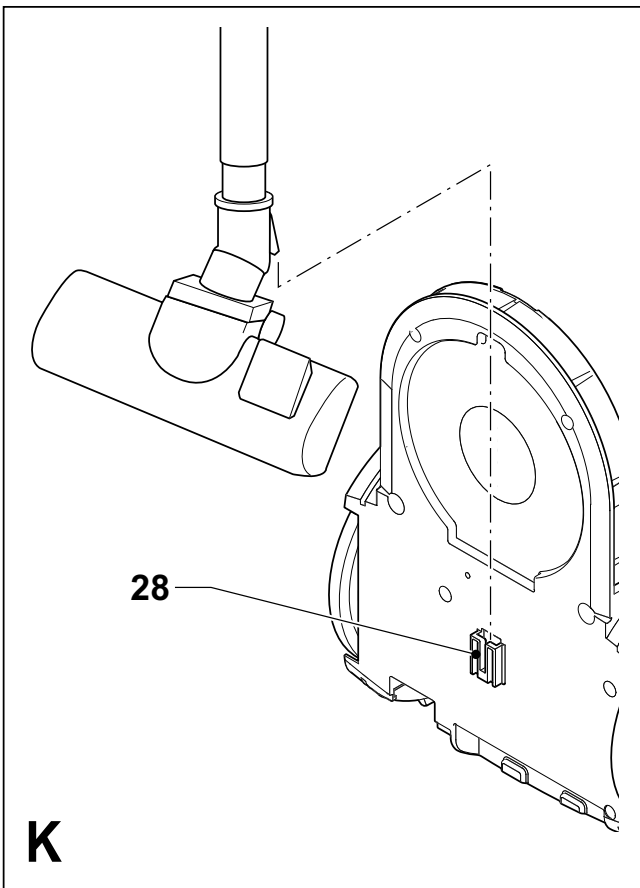
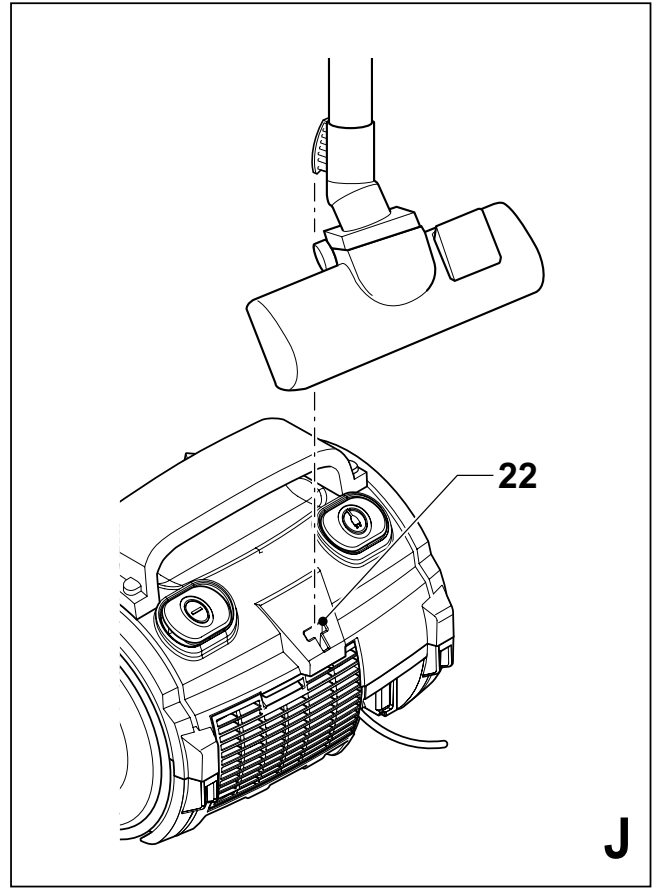
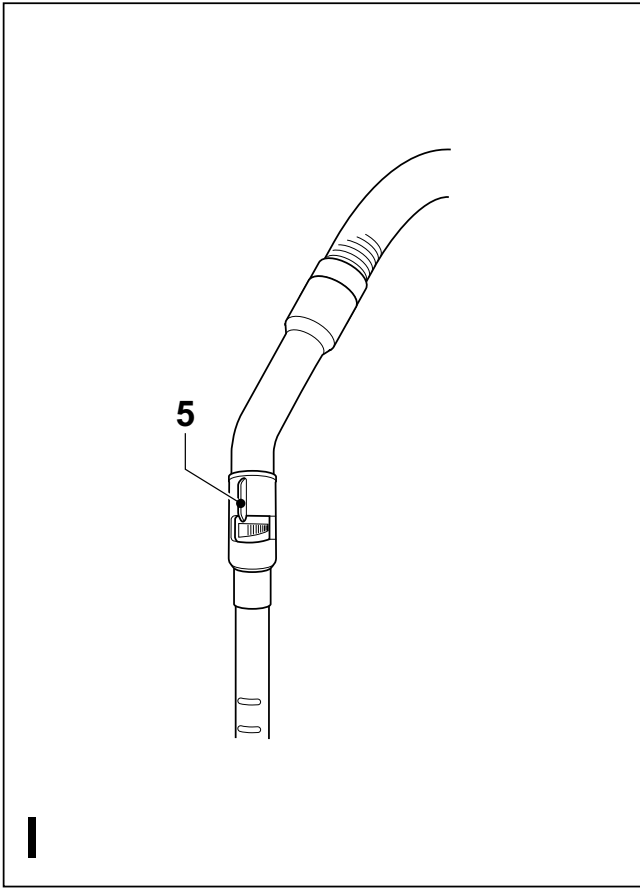
Ireland

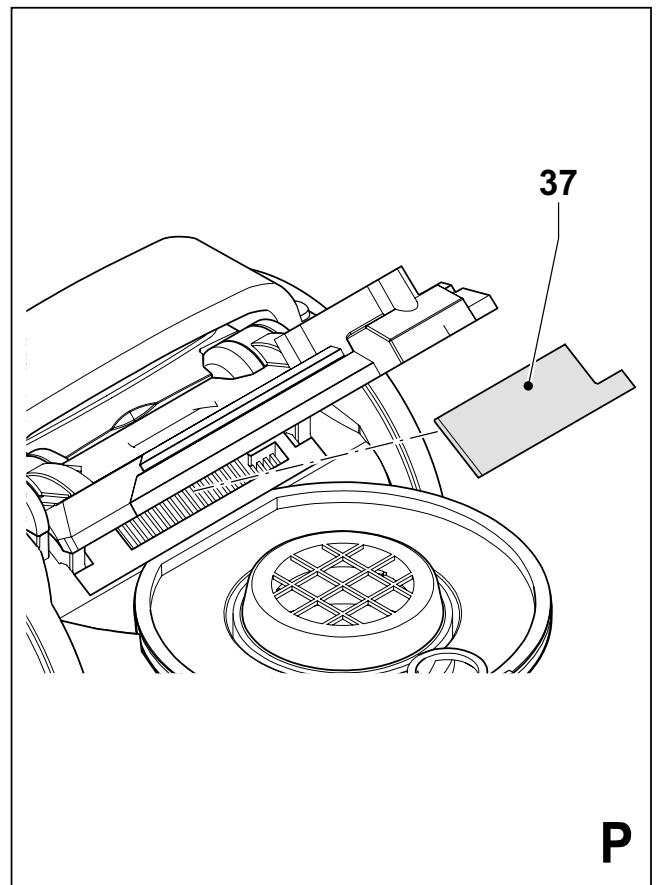
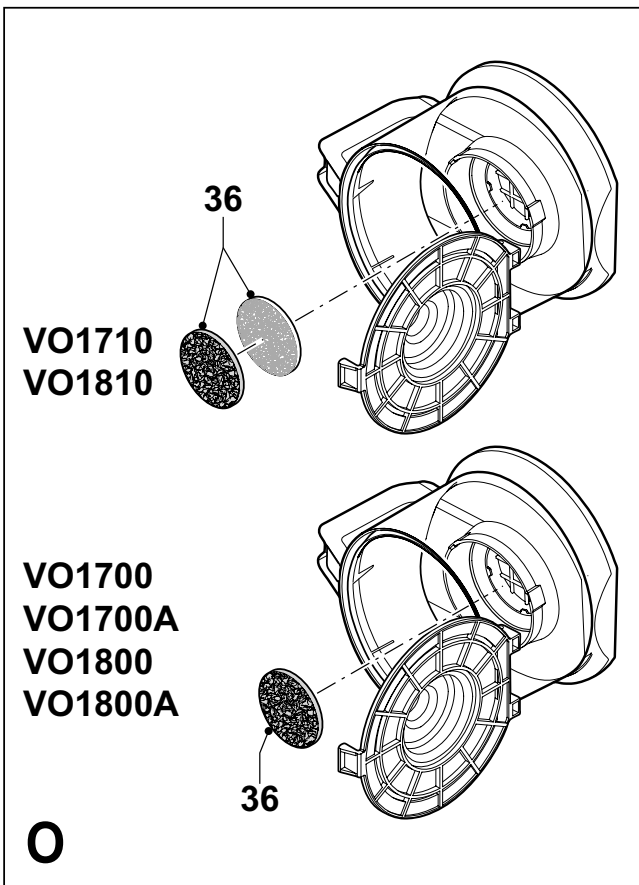
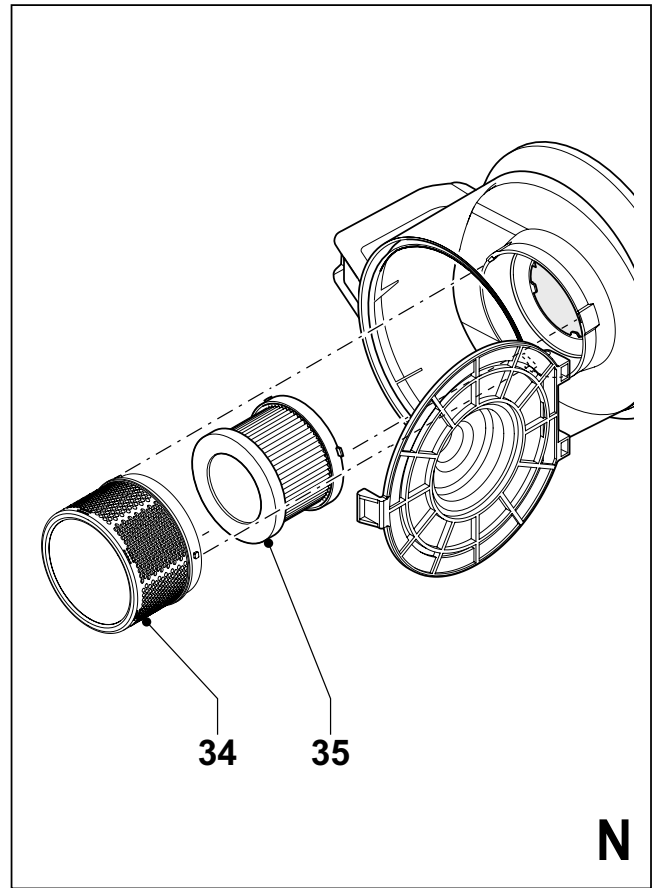
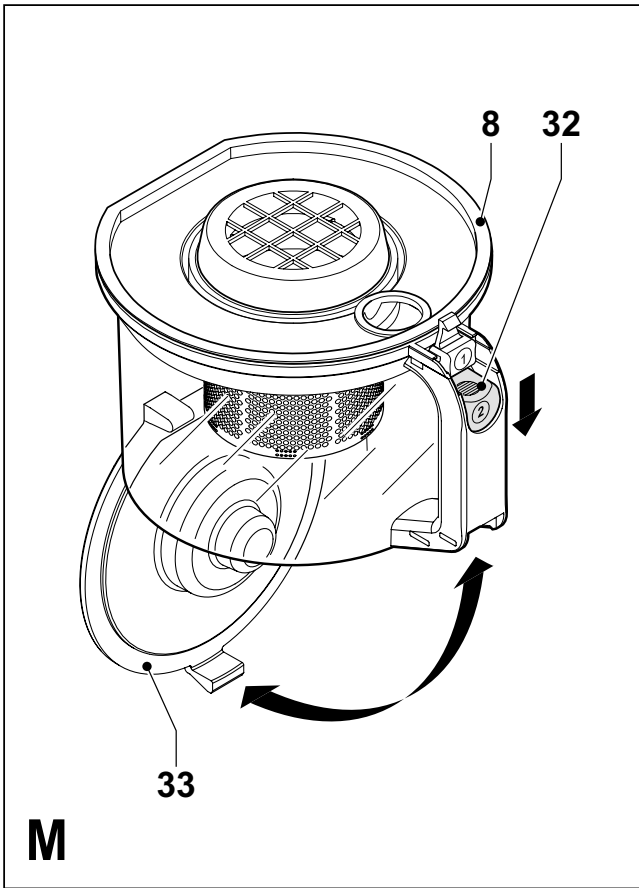
Australia

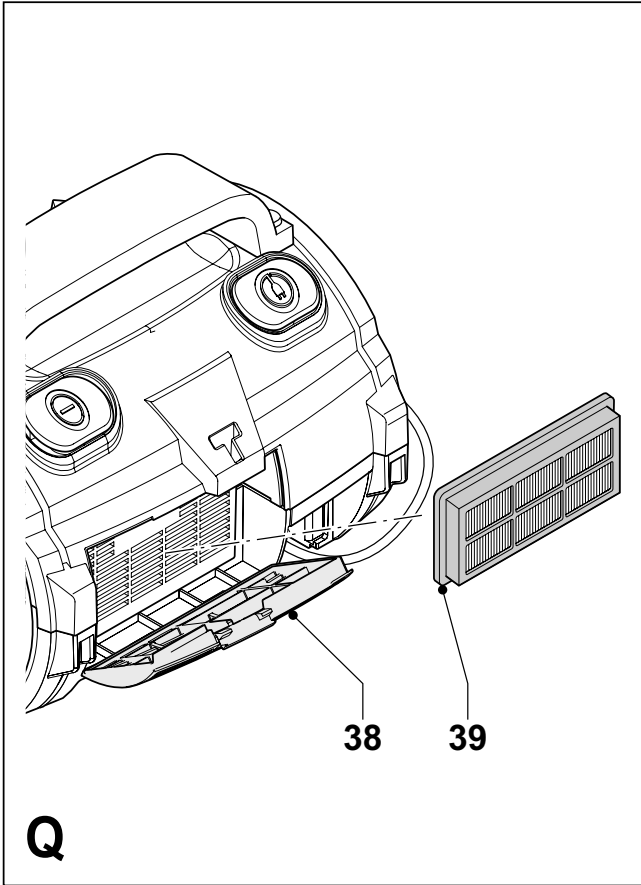
New Zealand











Intended use

Your Black & Decker vacuum cleaner has been designed to vacuum dry substances.

This product is intended for household use only.

Safety instructions

- ◆ **Warning!** When using mains-powered appliances, basic safety precautions, including the following, should always be followed to reduce the risk of fire, electric shock, personal injury and material damage.
- ◆ Read all of this manual carefully before using the appliance.
- ◆ The intended use is described in this manual. The use of any accessory or attachment or the performance of any operation with this appliance other than those recommended in this instruction manual may present a risk of personal injury.
- ◆ Retain this manual for future reference.

Using your appliance

- ◆ Make sure that the appliance is switched off before connecting to or disconnecting from the power supply.
- ◆ Always take care when using the appliance.
- ◆ Do not use the appliance outdoors.
- ◆ Never pull the power supply cord to disconnect the plug from the socket. Keep the power supply cord away from heat, oil and sharp edges.
- ◆ If the power supply cord is damaged during use, disconnect the appliance from the power supply immediately. Do not touch the power supply cord before disconnecting from the power supply.
- ◆ Disconnect the appliance from the power supply when not in use, before fitting or removing parts and before cleaning.

Safety of others

- ◆ Do not allow children or any person unfamiliar with these instructions to use the appliance.
- ◆ Do not allow children or animals to come near the work area or to touch the appliance or power supply cord. Close supervision is necessary when the appliance is used near children.
- ◆ This appliance is not intended for use by persons (including children) with reduced physical, sensory or mental capabilities, or lack of experience and knowledge, unless they have been given supervision or instruction concerning use of the appliance by a person responsible for their safety.
- ◆ Children must be supervised to ensure that they do not play with the appliance.

After use

- ◆ Switch off and remove the plug from the socket before leaving the appliance unattended and before changing, cleaning or inspecting any parts of the appliance.
- ◆ When not in use, the appliance should be stored in a dry place. Children should not have access to stored appliances.

Inspection and repairs

- ◆ Before use, check the appliance for damaged or defective parts. Check for breakage of parts, damage to switches and any other conditions that may affect its operation.
- ◆ Do not use the appliance if any part is damaged or defective.
- ◆ Have any damaged or defective parts repaired or replaced by an authorised repair agent.
- ◆ Before use, check the power supply cord for signs of damage, ageing and wear.
- ◆ Do not use the appliance if the power supply cord or mains plug is damaged or defective.
- ◆ If the power supply cord or mains plug is damaged or defective it must be repaired by an authorised repair agent in order to avoid a hazard. Do not cut the power supply cord and do not attempt to repair it yourself.
- ◆ Never attempt to remove or replace any parts other than those specified in this manual.

Electrical safety



This tool is double insulated; therefore no earth wire is required. Always check that the power supply corresponds to the voltage on the rating plate.

- ◆ If the supply cord is damaged, it must be replaced by the manufacturer or an authorised Black & Decker Service Centre in order to avoid a hazard.

Voltage drops (VO1700/VO1700A/VO1710)

- ◆ Inrush currents cause short-time voltage drops. Under unfavourable power supply conditions, other equipment may be affected. For example, artificial lighting will show a temporary drop in magnitude when the machine is switched on.
- ◆ If the system impedance of the power supply is lower than 0.45Ω , disturbances are unlikely to occur.

Additional safety instructions for vacuum cleaners

- ◆ Before use, always make sure that the filters are correctly seated. Do not use the appliance without all filters in place.
- ◆ Do not carry the appliance at the container handle.
- ◆ Do not use the appliance to pick up liquids.
- ◆ Do not use the appliance to pick up any materials that could catch fire.
- ◆ Do not use the appliance near water. Do not immerse the appliance in water.

- ◆ Keep the motor draught away from your eyes and face.
- ◆ Keep children and animals at a safe distance when using this appliance.
- ◆ Always work from bottom up when using the appliance on stairs, and keep the appliance at least a stair below your working position.
- ◆ Always be aware of the position of the power cord and hose while using the appliance.
- ◆ Do not use the appliance without the suction head or another suitable accessory mounted to the tube.
- ◆ After use, fully rewind the power cord and store the appliance in a tidy manner.
- ◆ Keep your hair, clothing and gloves away from moving parts.
- ◆ Do not use damaged accessories.
- ◆ Use only Black & Decker accessories.

Features

This appliance includes some or all of the following features (fig. A).

1. On/off switch
2. Cord rewind button
3. Handle
4. Hose
5. Airflow control switch
6. Tube
7. Suction head
8. Container
9. Wheels

In addition, this appliance is supplied with some or all of the following accessories (fig. B):

10. Crevice tool
11. Brush tool
12. Accessory holder
13. Parquet floor head (VO1710/VO1810)

The parquet floor head is not included with all models.

This accessory is available from your Black & Decker dealer / service centre.

Assembly

Connecting the hose (fig. C)

- ◆ Insert the hose connector (15) into the inlet (14) of the appliance.
- ◆ Push the hose until the release buttons (16) click into place.
- ◆ To disconnect the hose, press the release buttons and pull out the hose.

VO1700/VO1700A/VO1800/VO1800A - Assembling the tube (fig. D)

- ◆ Push the lower tube (17) firmly into the upper tube (18), until they fit tightly.

Connecting the tube (fig. E)

- ◆ Push the hose nozzle (19) into the tube (6).
- ◆ To remove the tube, pull the hose out of the tube.

Mounting the suction head (fig. F)

The suction head (7) allows for vacuuming on carpet and hard surfaces (e.g. laminate and tiles).

- ◆ Push the tube (6) into the head (7).
- ◆ To remove the head, pull the tube out of the head.

VO1710/VO1810 - Mounting the parquet floor head (fig. F)

The parquet floor head (13) allows for vacuuming on wooden and polished surfaces.

- ◆ Push the tube (6) into the head (13).
- ◆ To remove the head, pull the tube out of the head.

Mounting accessories (fig. F & G)

The crevice tool (10) allows for vacuuming in narrow and hard-to-reach places. The brush tool (11) allows for vacuuming on furniture, blinds, curtains, windows and stairs. The accessories can be mounted on both the hose (4) and the tube (6). When not in use, the accessories can be stored in the accessory holder (12).

- ◆ Remove the accessory from the holder (fig. G).
- ◆ Push the accessory onto the hose nozzle (19) or the tube (6) (fig. F).
- ◆ To remove an accessory, pull the accessory from the hose nozzle or the tube.

Use

Unwinding and rewinding the power cord (fig. A)

The cord rewind button (2) can be operated by hand or foot.

- ◆ Pull a sufficient length of cord from the back of the appliance.
- ◆ After use, press the cord rewind button to retract the cord into the unit. Manually guide the cord to ensure it does not swing back. Ensure the plug is correctly located.

VO1710/VO1810 - Adjusting the tube length (fig. H)

The extension tube (6) can be adjusted as follows:

- ◆ Push the knob (20) and slide the tube to the desired length.
- ◆ Release the knob.

Adjusting the suction head (fig. F)

- ◆ For vacuuming on carpets, switch the brush actuator (21) into the up position.
- ◆ For vacuuming on laminates, tiles, etc., switch the brush actuator into the down position.

Switching on and off (fig. A)

The on/off switch (1) can be operated by hand or foot.

- ◆ To switch the appliance on, press the on/off switch (1).
- ◆ To switch the appliance off, press the on/off switch again.

Adjusting the airflow (fig. I)

Move the airflow control switch (5) to adjust the airflow as desired.

Vacuuuming

- ◆ When operating the appliance, make sure that the hose is not trapped, twisted or blocked.
- ◆ In case of overheating, a cut-out will operate and the appliance will automatically stop.
- ◆ If the appliance stops operating, unplug the appliance and allow it to cool for 2-3 hours before continuing.

Hints for optimum use

- ◆ When vacuuming stairs, always start at the bottom and work your way up. Position the appliance on the floor and do the stairs until halfway. Then carry the appliance to a stable position which is at least one stair below your working position, and do the top half of the stairs.

Carrying the appliance (fig. A)

During use the appliance can be carried using the handle (3).

Temporarily parking the suction head (fig. J)

- ◆ Use the park position (22) for a temporary parking of the suction head.

Storing the appliance (fig. K)

Warning! When storing the appliance, switch the appliance off and unplug it.

- ◆ Make sure that the cord is fully rewound.
- ◆ Place the appliance in an upright position.
- ◆ Park the tube in the park position (28).
- ◆ Store the appliance in a dry location.

Maintenance

Your Black & Decker appliance has been designed to operate over a long period of time with a minimum of maintenance.

Continuous satisfactory operation depends upon proper appliance care and regular cleaning.

Warning! Before performing any maintenance or cleaning on the appliance, unplug the appliance.

- ◆ Regularly clean the ventilation slots in your appliance using a soft brush or dry cloth.
- ◆ Regularly clean the motor housing using a damp cloth. Do not use any abrasive or solvent-based cleaner.

Emptying the container (fig. L & M)

The container (8) must be emptied when the maximum mark is reached.

- ◆ Remove the hose.

- ◆ Press the release button (30).
- ◆ Lift the lid (31) until it locks into position (fig. L).
- ◆ Hold the container at the handle (29). Take the container (8) off the appliance.
- ◆ Hold the container over a waste bin.
- ◆ Press the release button (32) to open the container (fig. M). Empty the container as necessary.
- ◆ Close the base (33) by moving it upward until the lock locates in the latch.
- ◆ Re-insert the container into the appliance.
- ◆ Close the lid until it locks into place.

Cleaning

Warning! Before cleaning and maintenance, switch the appliance off and unplug it.

- ◆ From time to time wipe the appliance with a damp cloth. Do not use any abrasive or solvent-based cleaner. Do not immerse the appliance in water.

Cleaning the container filter (fig. L - O)

The container filter prevents dust and dirt from entering the motor housing. The filter is re-usable. To maintain efficient suction performance, the filter should be cleaned every week, or whenever suction performance is noticeably reduced.

The appliance is fitted with a bypass valve. When the filter is clogged, the operation of the valve is audible. This is normal and does not indicate a problem. Switch off the appliance and remove the plug from the socket before cleaning the filters.

- ◆ Remove the container (8) from the appliance (fig. L).
- ◆ Empty the container (fig. M).
- ◆ Remove the cartridge (34) by turning counterclockwise (fig. N).
- ◆ Loosen the filter (35) and remove it from the container.
- ◆ Shake off excess dust by tapping the filter into a dustbin.

Warning! Do not brush or use compressed air to clean the filter.

- ◆ Depending on its condition, rinse the outside of the filter with water. Allow the filter to dry for 24 hours before re-inserting it.

Warning! Do not wash the inside of the filter.

- ◆ Take out the filter assembly (36) located right below the grid and brush off any loose dust before re-inserting it (fig. O).
- ◆ Replace the container filter and tighten it.
- ◆ Re-fit the cartridge.
- ◆ After replacing the filter, close the container.
- ◆ Re-insert the container into the appliance.

Cleaning the motor filter (fig. L & P)

The motor filter prevents particles and larger objects from entering the motor housing when the container is removed. The filter is re-usable and should be cleaned regularly.

- ◆ Open the lid (31) (fig. L).

- ◆ Take the filter (37) out (fig. P).
- ◆ Brush any loose dust off the filter.
- ◆ Replace the filter.
- ◆ Close the lid.

Replacing the filters (fig. L - Q)

The container filter should be replaced every 6 to 9 months and whenever worn or damaged. When replacing the container filter, the motor filter and the outlet filters have to be replaced as well. Replacement filter sets are available from your Black & Decker dealer.

Replacing the container filter (fig. L - O)

- ◆ Proceed as described above to replace the filters.

Replacing the motor filter (fig. L & P)

- ◆ Proceed as described above to replace the filter.

VO1700A/VO1800A - Replacing the outlet filter (fig. Q)

- ◆ Open the cover (38).
- ◆ Remove the old filter (39).
- ◆ Insert the new filter as shown.
- ◆ Close the cover.

VO1700/VO1710/VO1800/VO1810 - Replacing the HEPA filter (fig. Q)

The HEPA filter reduces the amount of dust exiting the motor housing to a minimum.

- ◆ Proceed as described above to replace the filter.

Mains plug replacement (U.K. & Ireland only)

If a new mains plug needs to be fitted:

- ◆ Safely dispose of the old plug.
- ◆ Connect the brown lead to the live terminal in the new plug.
- ◆ Connect the blue lead to the neutral terminal.
- ◆ Connect the green/yellow lead to the earth terminal.

Warning! Follow the fitting instructions supplied with good quality plugs. Recommended fuse: 13 A.

Protecting the environment



Separate collection. This product must not be disposed of with normal household waste.

Should you find one day that your Black & Decker product needs replacement, or if it is of no further use to you, do not dispose of it with household waste.

Make this product available for separate collection.



Separate collection of used products and packaging allows materials to be recycled and used again.

Re-use of recycled materials helps prevent environmental pollution and reduces the demand for raw materials.

Local regulations may provide for separate collection of electrical products from the household, at municipal waste sites or by the retailer when you purchase a new product.

Black & Decker provides a facility for the collection and recycling of Black & Decker products once they have reached the end of their working life. To take advantage of this service please return your product to any authorised repair agent who will collect them on our behalf.

You can check the location of your nearest authorised repair agent by contacting your local Black & Decker office at the address indicated in this manual. Alternatively, a list of authorised Black & Decker repair agents and full details of our after-sales service and contacts are available on the Internet at: www.2helpU.com

Technical data

| | | VO1700A | VO1700 VO1710 | VO1800A |
|----------------|----|---------|------------------|---------|
| Voltage | V | 230 | 230 | 230 |
| Power input | W | 1,700 | 1,700 | 1,800 |
| Cable length | m | 4.5 | 5 | 4.5 |
| Container size | l | 2.5 | 2.5 | 2.5 |
| Weight | kg | 7 | 7 | 7 |

| | | VO1800 VO1810 |
|----------------|----|------------------|
| Voltage | V | 230 |
| Power input | W | 1,800 |
| Cable length | m | 5 |
| Container size | l | 2.5 |
| Weight | kg | 7 |

EC declaration of conformity

VO1700/VO1700A/VO1710/VO1800/VO1800A/VO1810
 Black & Decker declares that these products conform to:
 89/336/EEC, 2006/95/EC, EN 55014, EN 60335, EN 61000
 Level of sound pressure, measured according to EN 60704-1:
 71 dB(A)

K. Hewitt

Kevin Hewitt
 Director of Consumer Engineering
 Spennymoor, County Durham DL16 6JG,
 United Kingdom
 1-12-2005

European Community design registration no. 351606-0001

Guarantee

Black & Decker is confident of the quality of its products and offers an outstanding guarantee. This guarantee statement is in addition to and in no way prejudices your statutory rights. The guarantee is valid within the territories of the Member States of the European Union and the European Free Trade Area.

If a Black & Decker product becomes defective due to faulty materials, workmanship or lack of conformity, within 24 months from the date of purchase, Black & Decker guarantees to replace defective parts, repair products subjected to fair wear and tear or replace such products to ensure minimum inconvenience to the customer unless:

- ◆ The product has been used for trade, professional or hire purposes;
- ◆ The product has been subjected to misuse or neglect;
- ◆ The product has sustained damage through foreign objects, substances or accidents;
- ◆ Repairs have been attempted by persons other than authorised repair agents or Black & Decker service staff.

To claim on the guarantee, you will need to submit proof of purchase to the seller or an authorised repair agent. You can check the location of your nearest authorised repair agent by contacting your local Black & Decker office at the address indicated in this manual. Alternatively, a list of authorised Black & Decker repair agents and full details of our after-sales service and contacts are available on the Internet at:

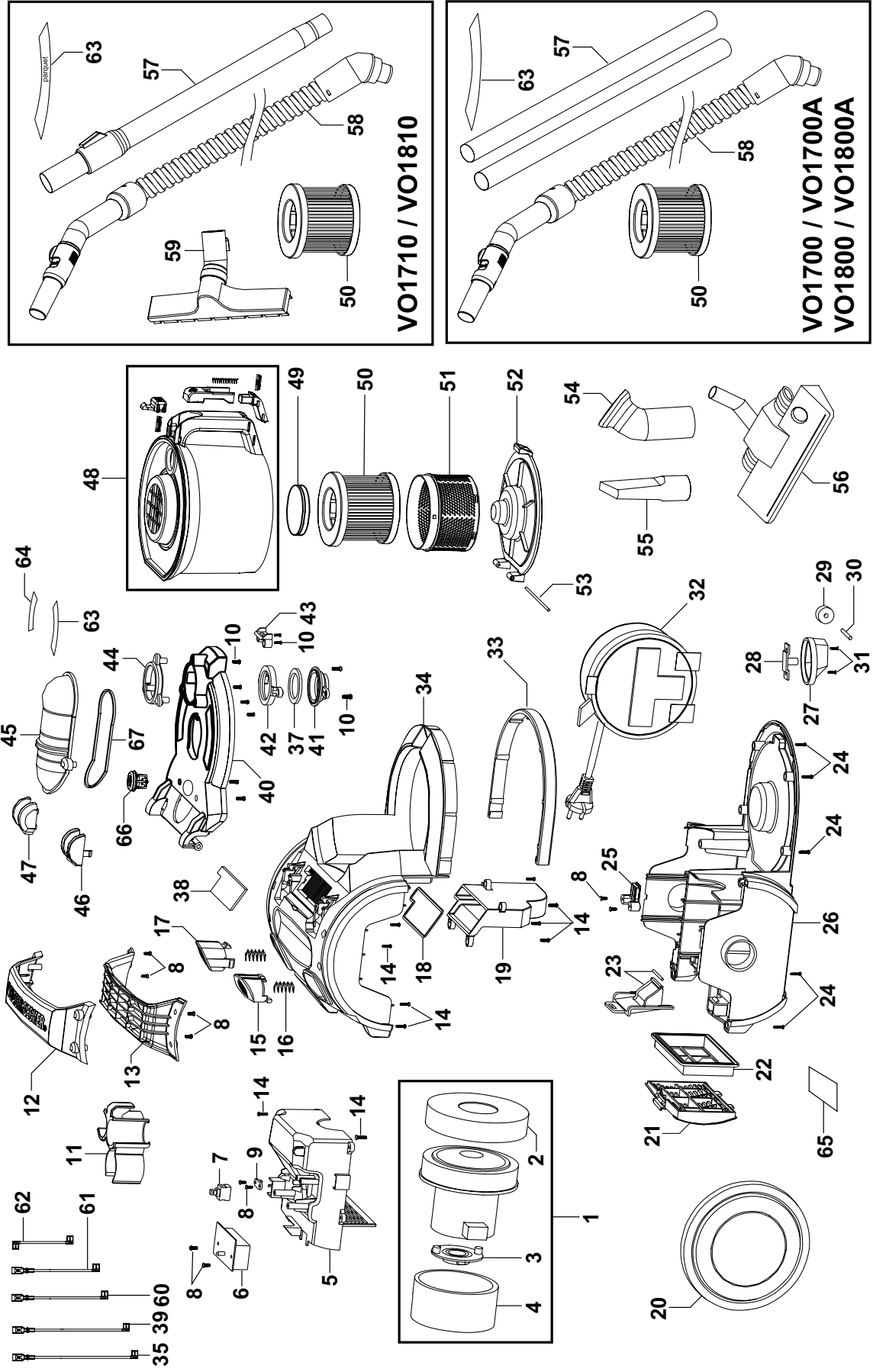
www.2helpU.com

Please visit our website **www.blackanddecker.co.uk** to register your new Black & Decker product and to be kept up to date on new products and special offers. Further information on the Black & Decker brand and our range of products is available at **www.blackanddecker.co.uk**



VO1700 - VO1700A - VO1710 VO1800 - VO1800A - VO1810

TYP.
2



E14993

www.2helpU.com

24-11-06

Australia

Black & Decker (Australia) Pty. Ltd.
20 Fletcher Road, Mooroolbark,
Victoria, 3138

Tel. 03-8720 5100
Fax 03-9727 5940

New Zealand

Black & Decker
5 Te Apunga Place
Mt Wellington
Auckland 1060

Tel. +64 9 259 1133
Fax +64 9 259 1122

United Kingdom

Black & Decker
210 Bath Road
Slough, Berkshire SL1 3YD

Tel. 01753 511234
Fax 01753 551155
Helpline 01753 574277