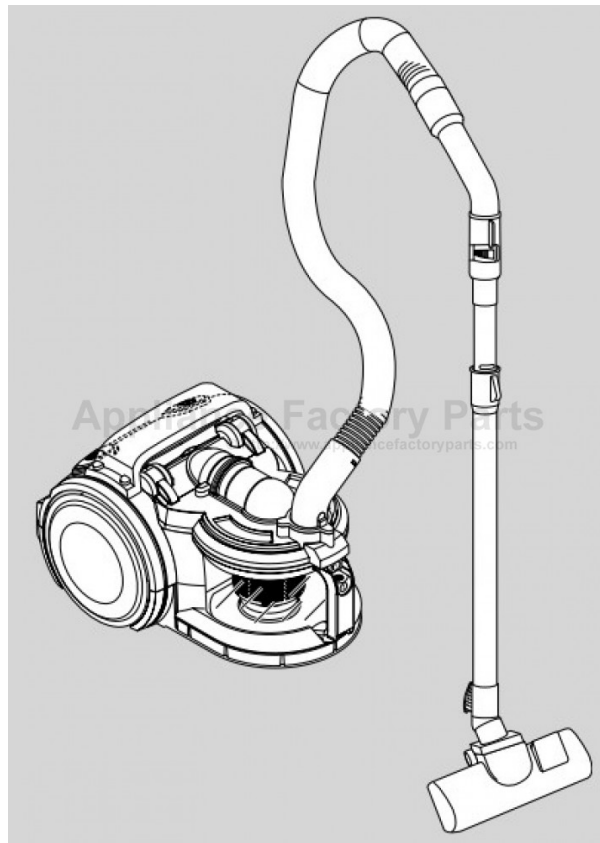


This Owner's Manual is provided and hosted by [Appliance Factory Parts](#).



Black & Decker VO1710 Owner's Manual

[Shop genuine replacement parts for Black & Decker
VO1710](#)

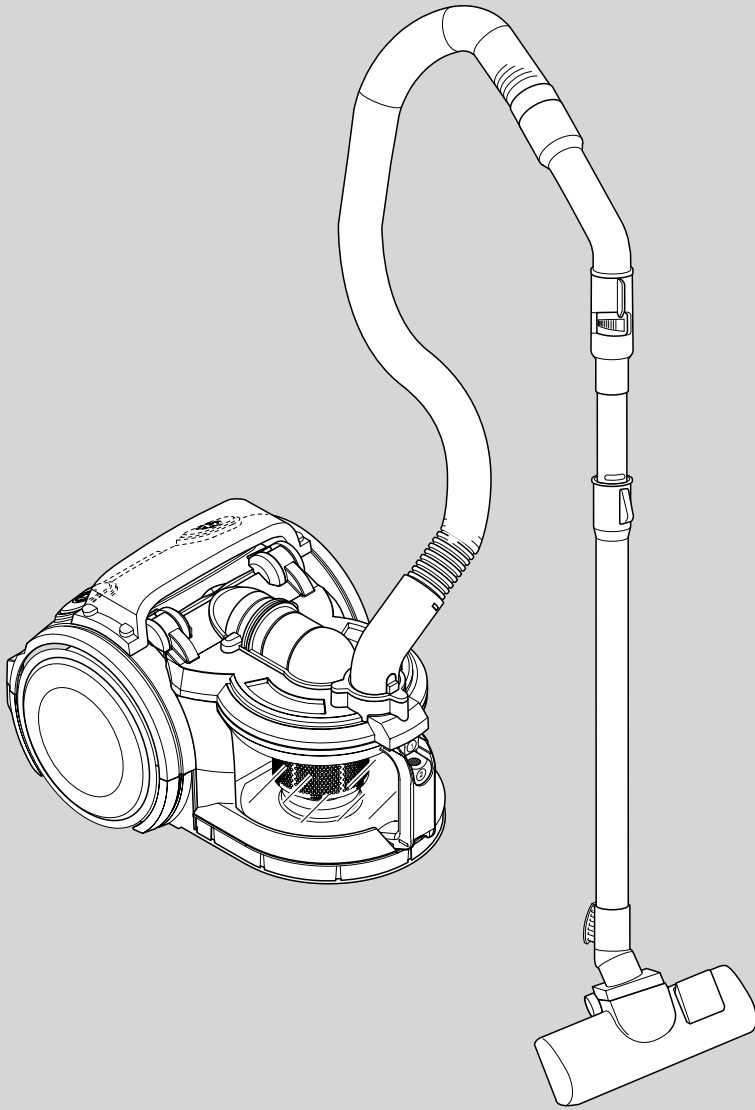


[Find Your Black & Decker Vacuum Cleaner Parts - Select From 339 Models](#)

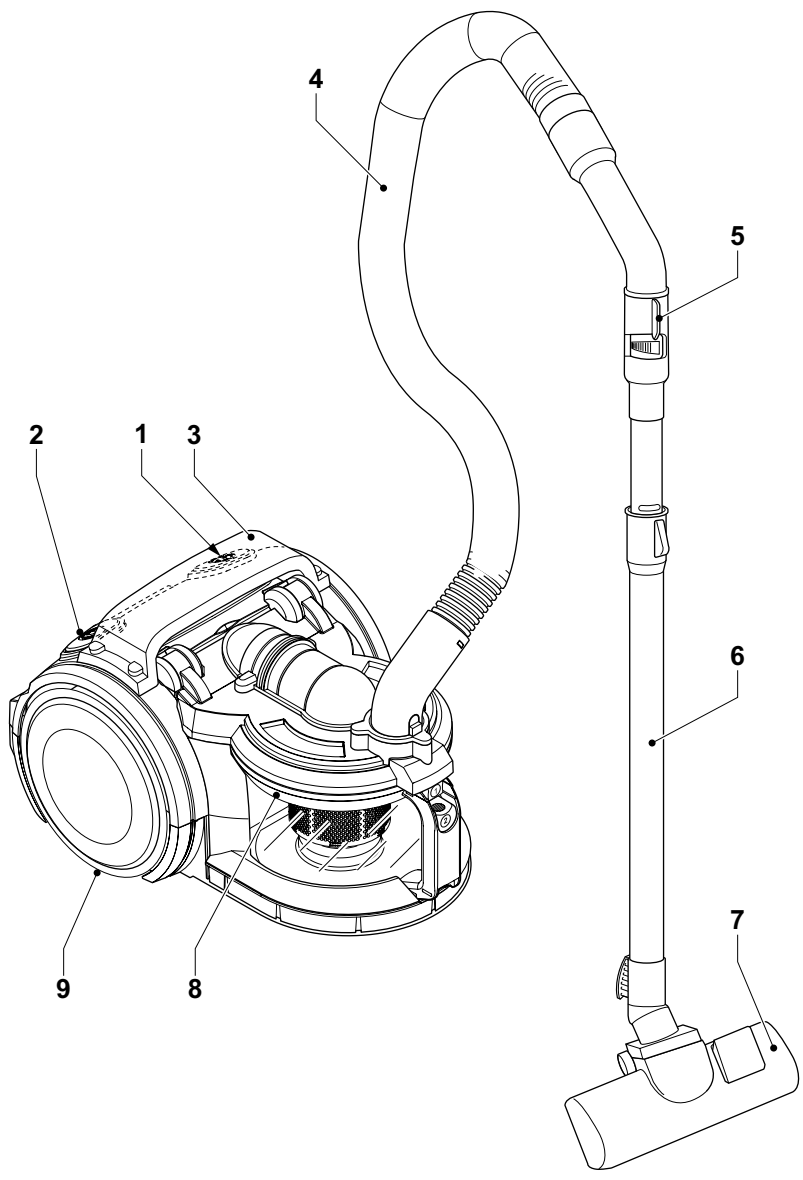
----- Manual continues below -----



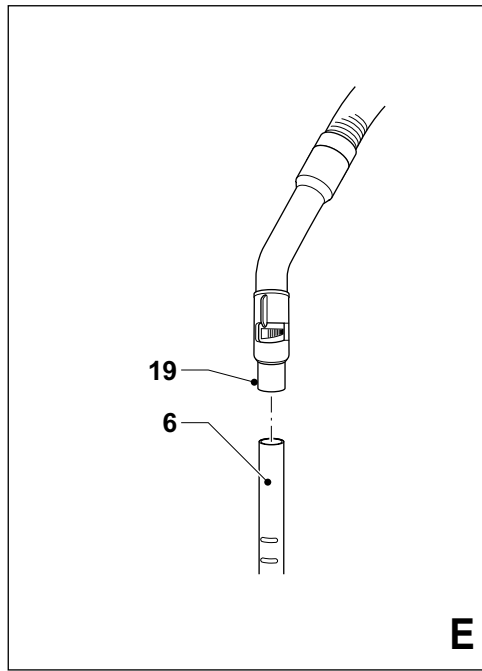
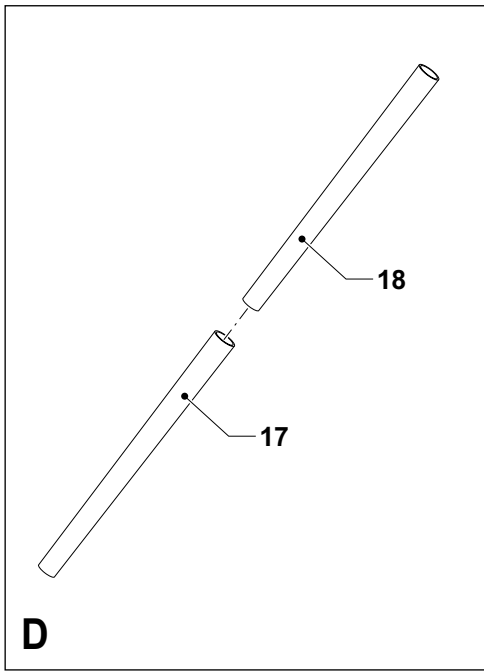
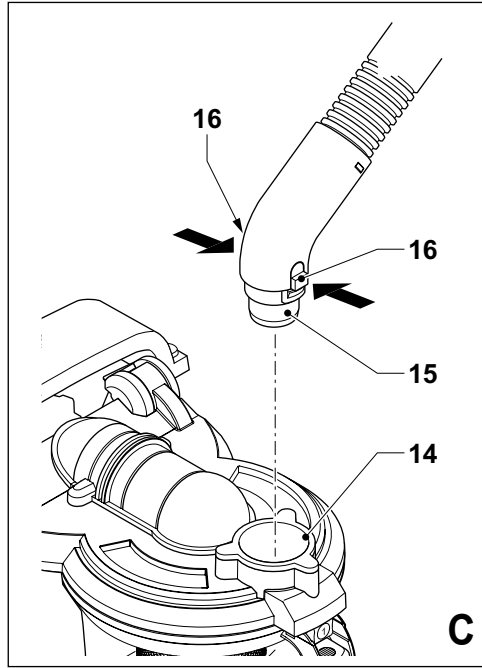
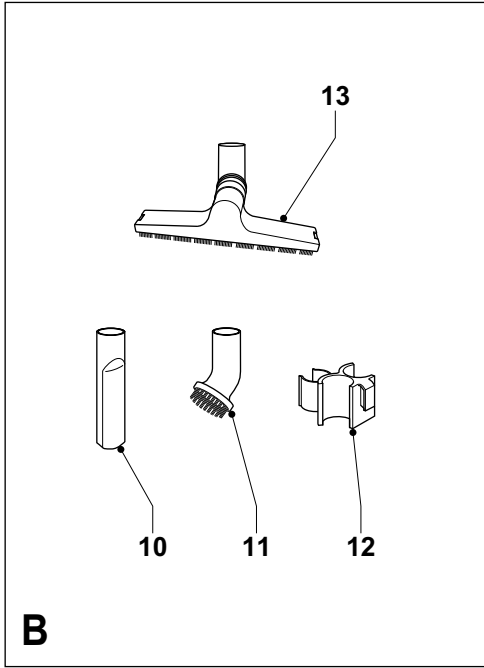
www.blackanddecker.eu

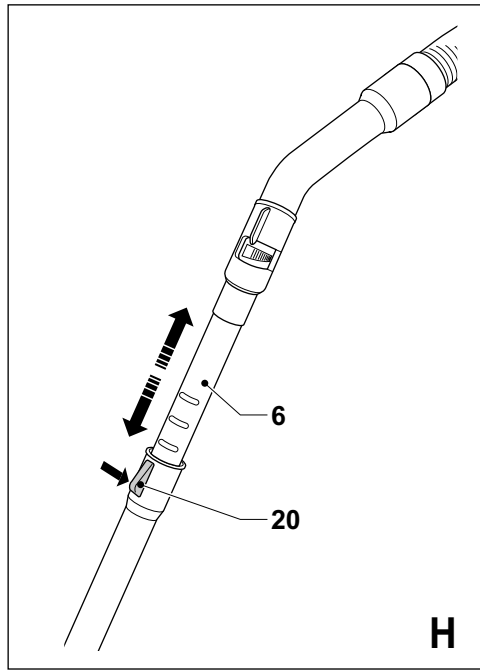
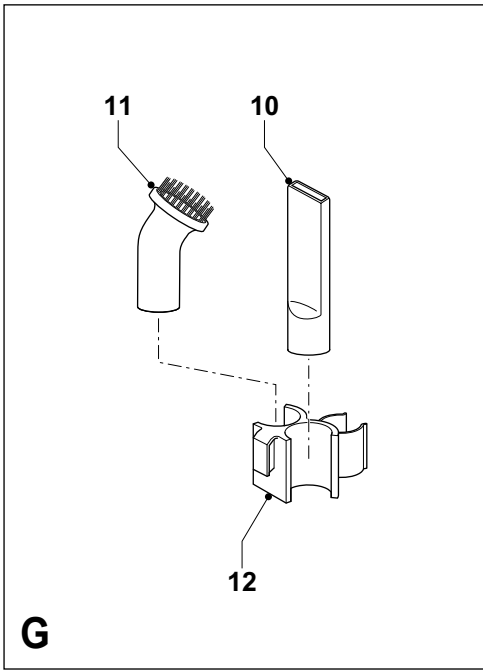
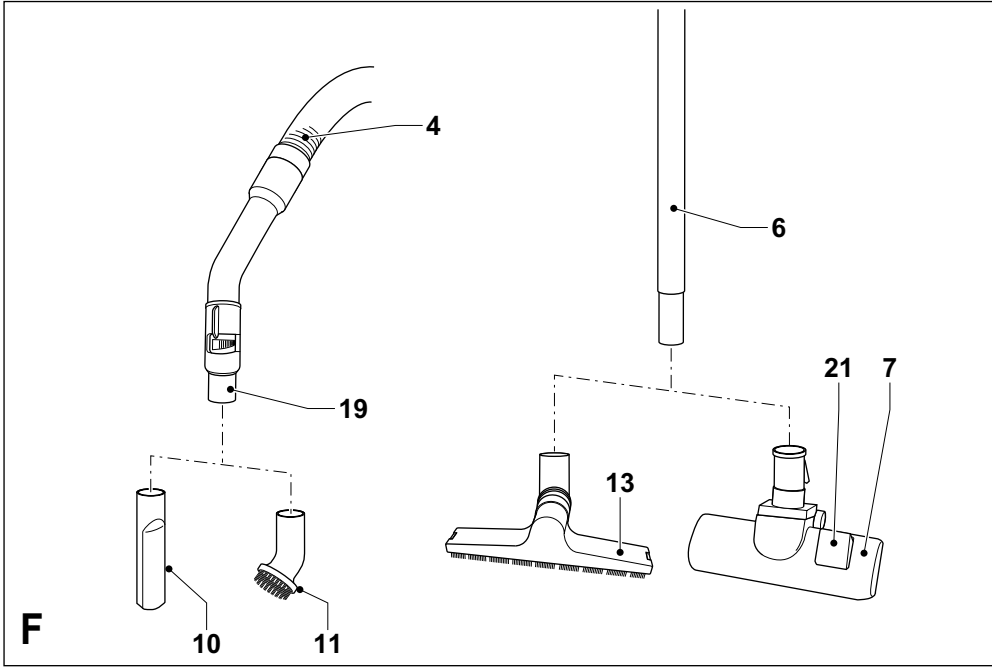


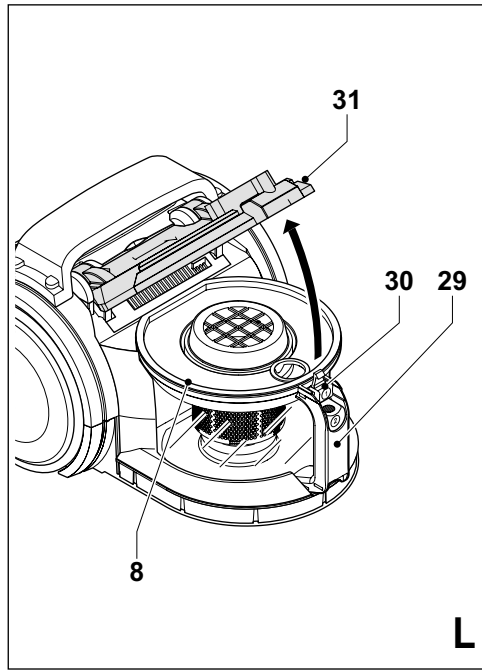
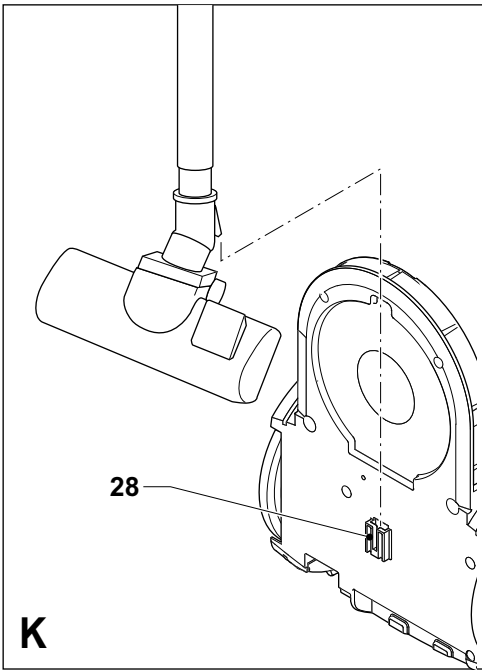
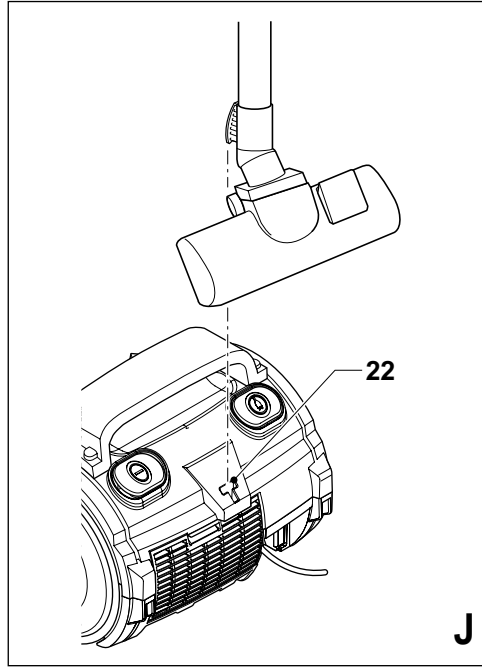
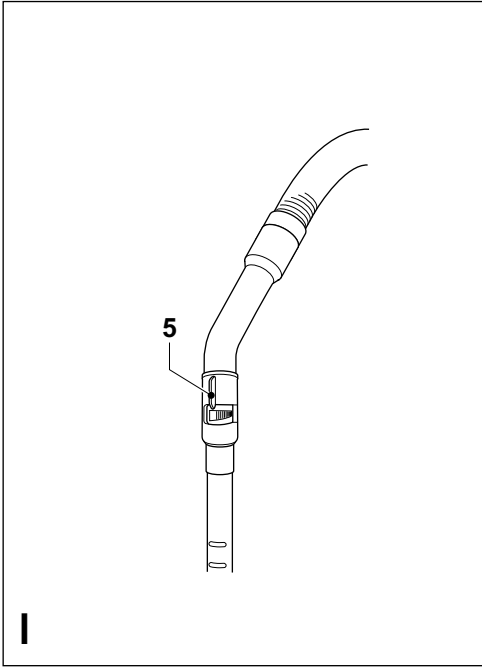
English	8
Deutsch	13
Français	18
Italiano	23
Nederlands	28
Español	33
Português	38
Svenska	43
Norsk	48
Dansk	53
Suomi	58
Ελληνικά	63
Türkçe	68

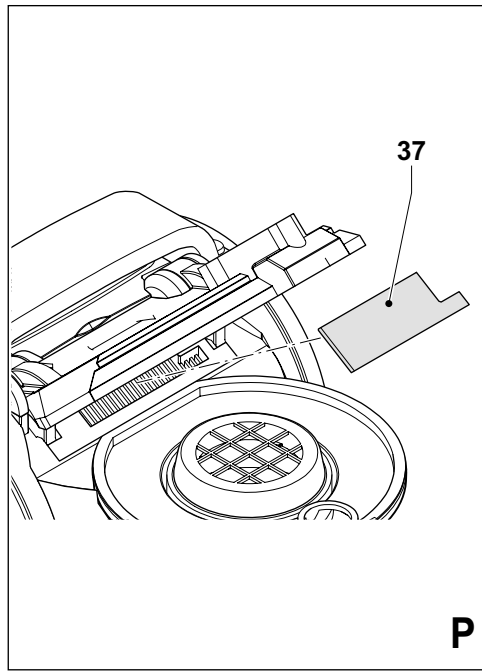
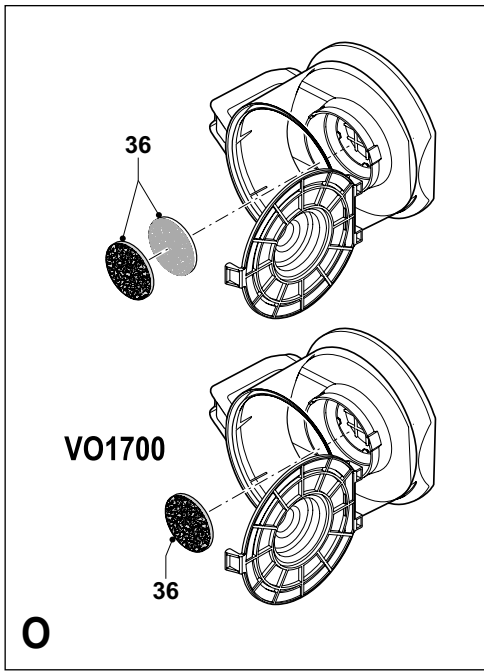
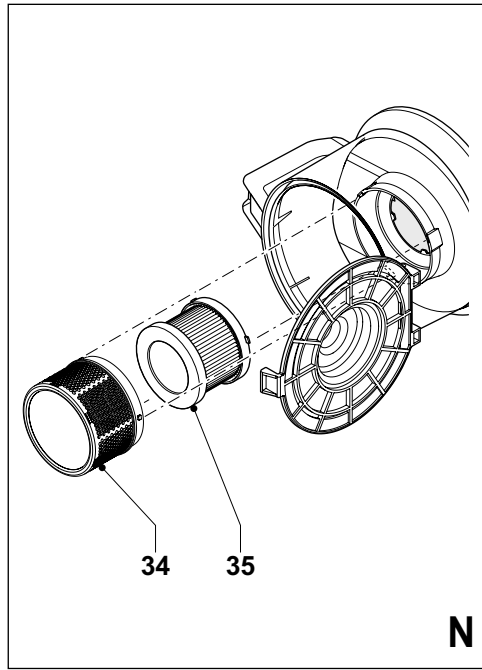
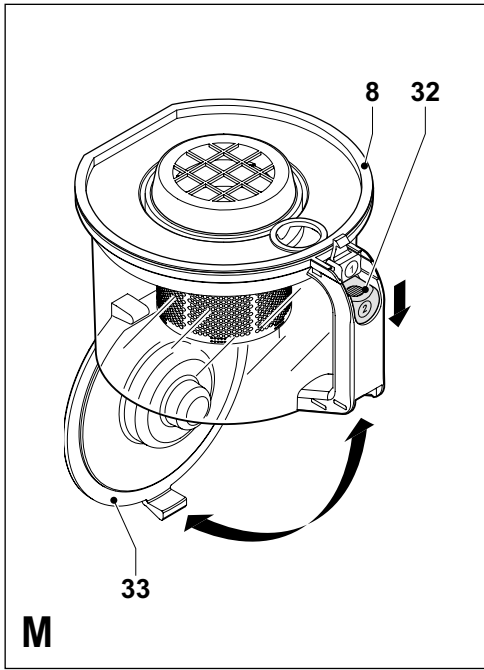


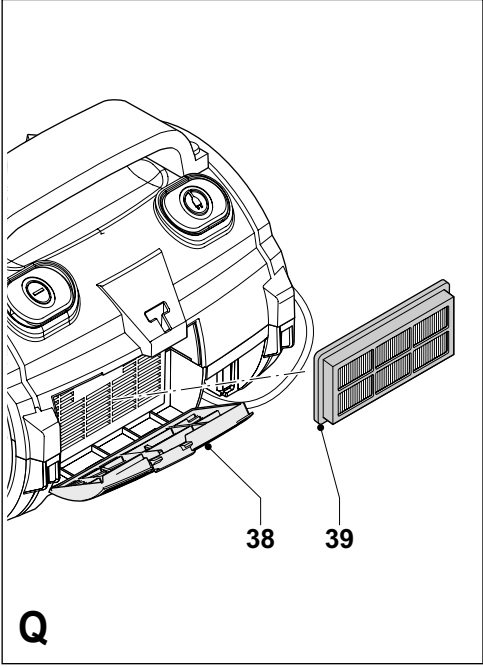
A











Intended use

Your Black & Decker vacuum cleaner has been designed to vacuum dry substances.

This product is intended for household use only.

Safety instructions

- ◆ **Warning!** When using mains-powered appliances, basic safety precautions, including the following, should always be followed to reduce the risk of fire, electric shock, personal injury and material damage.
- ◆ Read all of this manual carefully before using the appliance.
- ◆ The intended use is described in this manual. The use of any accessory or attachment or the performance of any operation with this appliance other than those recommended in this instruction manual may present a risk of personal injury.
- ◆ Retain this manual for future reference.

Using your appliance

- ◆ Make sure that the appliance is switched off before connecting to or disconnecting from the power supply.
- ◆ Always take care when using the appliance.
- ◆ Do not use the appliance outdoors.
- ◆ Never pull the power supply cord to disconnect the plug from the socket. Keep the power supply cord away from heat, oil and sharp edges.
- ◆ If the power supply cord is damaged during use, disconnect the appliance from the power supply immediately. Do not touch the power supply cord before disconnecting from the power supply.
- ◆ Disconnect the appliance from the power supply when not in use, before fitting or removing parts and before cleaning.

Safety of others

- ◆ Do not allow children or any person unfamiliar with these instructions to use the appliance.
- ◆ Do not allow children or animals to come near the work area or to touch the appliance or power supply cord. Close supervision is necessary when the appliance is used near children.

After use

- ◆ Switch off and remove the plug from the socket before leaving the appliance unattended and before changing, cleaning or inspecting any parts of the appliance.
- ◆ When not in use, the appliance should be stored in a dry place. Children should not have access to stored appliances.

Inspection and repairs

- ◆ Before use, check the appliance for damaged or defective parts. Check for breakage of parts, damage to switches and any other conditions that may affect its operation.
- ◆ Do not use the appliance if any part is damaged or defective.
- ◆ Have any damaged or defective parts repaired or replaced by an authorised repair agent.
- ◆ Before use, check the power supply cord for signs of damage, ageing and wear.
- ◆ Do not use the appliance if the power supply cord or mains plug is damaged or defective.
- ◆ If the power supply cord or mains plug is damaged or defective it must be repaired by an authorised repair agent in order to avoid a hazard. Do not cut the power supply cord and do not attempt to repair it yourself.
- ◆ Never attempt to remove or replace any parts other than those specified in this manual.

Electrical safety



This tool is double insulated; therefore no earth wire is required. Always check that the power supply corresponds to the voltage on the rating plate.

- ◆ This appliance is not intended for use by young or infirm persons without supervision. Children must be supervised to ensure they do not play with the appliance.
- ◆ If the supply cord is damaged, it must be replaced by the manufacturer or an authorised Black & Decker Service Centre in order to avoid a hazard.

Additional safety instructions for vacuum cleaners

- ◆ Before use, always make sure that the filters are correctly seated. Do not use the appliance without all filters in place.
- ◆ Do not carry the appliance at the container handle.
- ◆ Do not use the appliance to pick up liquids.
- ◆ Do not use the appliance to pick up any materials that could catch fire.
- ◆ Do not use the appliance near water. Do not immerse the appliance in water.
- ◆ Keep the motor draught away from your eyes and face.
- ◆ Keep children and animals at a safe distance when using this appliance.
- ◆ Always work from bottom up when using the appliance on stairs, and keep the appliance at least a stair below your working position.
- ◆ Always be aware of the position of the power cord and hose while using the appliance.
- ◆ Do not use the appliance without the suction head or another suitable accessory mounted to the tube.
- ◆ After use, fully rewind the power cord and store the appliance in a tidy manner.

- ◆ Keep your hair, clothing and gloves away from moving parts.
- ◆ Do not use damaged accessories.
- ◆ Use only Black & Decker accessories.

Features

This appliance includes some or all of the following features (fig. A).

1. On/off switch
2. Cord rewind button
3. Handle
4. Hose
5. Airflow control switch
6. Tube
7. Suction head
8. Container
9. Wheels

In addition, this appliance is supplied with some or all of the following accessories (fig. B):

10. Crevice tool
11. Brush tool
12. Accessory holder
13. Parquet floor head (VO1710)

The parquet floor head is not included with all models.

This accessory is available from your Black & Decker dealer / service centre.

Assembly

Connecting the hose (fig. C)

- ◆ Insert the hose connector (15) into the inlet (14) of the appliance.
- ◆ Push the hose until the release buttons (16) click into place.
- ◆ To disconnect the hose, press the release buttons and pull out the hose.

VO1700/VO1700A - Assembling the tube (fig. D)

- ◆ Push the lower tube (17) firmly into the upper tube (18), until they fit tightly.

Connecting the tube (fig. E)

- ◆ Push the hose nozzle (19) into the tube (6).
- ◆ To remove the tube, pull the hose out of the tube.

Mounting the suction head (fig. F)

The suction head (7) allows for vacuuming on carpet and hard surfaces (e.g. laminate and tiles).

- ◆ Push the tube (6) into the head (7).
- ◆ To remove the head, pull the tube out of the head.

VO1710 - Mounting the parquet floor head (fig. F)

The parquet floor head (13) allows for vacuuming on wooden and polished surfaces.

- ◆ Push the tube (6) into the head (13).
- ◆ To remove the head, pull the tube out of the head.

Mounting accessories (fig. F & G)

The crevice tool (10) allows for vacuuming in narrow and hard-to-reach places. The brush tool (11) allows for vacuuming on furniture, blinds, curtains, windows and stairs.

The accessories can be mounted on both the hose (4) and the tube (6). When not in use, the accessories can be stored in the accessory holder (12).

- ◆ Remove the accessory from the holder (fig. G).
- ◆ Push the accessory onto the hose nozzle (19) or the tube (6) (fig. F).
- ◆ To remove an accessory, pull the accessory from the hose nozzle or the tube.

Use

Unwinding and rewinding the power cord (fig. A)

The cord rewind button (2) can be operated by hand or foot.

- ◆ Pull a sufficient length of cord from the back of the appliance.
- ◆ After use, press the cord rewind button to retract the cord into the unit. Manually guide the cord to ensure it does not swing back. Ensure the plug is correctly located.

VO1710 - Adjusting the tube length (fig. H)

The extension tube (6) can be adjusted as follows:

- ◆ Push the knob (20) and slide the tube to the desired length.
- ◆ Release the knob.

Adjusting the suction head (fig. F)

- ◆ For vacuuming on carpets, switch the brush actuator (21) into the up position.
- ◆ For vacuuming on laminates, tiles, etc., switch the brush actuator into the down position.

Switching on and off (fig. A)

The on/off switch (1) can be operated by hand or foot.

- ◆ To switch the appliance on, press the on/off switch (1).
- ◆ To switch the appliance off, press the on/off switch again.

Adjusting the airflow (fig. I)

Move the airflow control switch (5) to adjust the airflow as desired.

Vacuuming

- ◆ When operating the appliance, make sure that the hose is not trapped, twisted or blocked.
- ◆ In case of overheating, a cut-out will operate and the appliance will automatically stop.
- ◆ If the appliance stops operating, unplug the appliance and allow it to cool for 2-3 hours before continuing.

Hints for optimum use

- ◆ When vacuuming stairs, always start at the bottom and work your way up. Position the appliance on the floor and do the stairs until halfway. Then carry the appliance to a stable position which is at least one stair below your working position, and do the top half of the stairs.

Carrying the appliance (fig. A)

During use the appliance can be carried using the handle (3).

Temporarily parking the suction head (fig. J)

- ◆ Use the park position (22) for a temporary parking of the suction head.

Storing the appliance (fig. K)

Warning! When storing the appliance, switch the appliance off and unplug it.

- ◆ Make sure that the cord is fully rewound.
- ◆ Place the appliance in an upright position.
- ◆ Park the tube in the park position (28).
- ◆ Store the appliance in a dry location.

Maintenance

Your Black & Decker appliance has been designed to operate over a long period of time with a minimum of maintenance.

Continuous satisfactory operation depends upon proper appliance care and regular cleaning.

Warning! Before performing any maintenance or cleaning on the appliance, unplug the appliance.

- ◆ Regularly clean the ventilation slots in your appliance using a soft brush or dry cloth.
- ◆ Regularly clean the motor housing using a damp cloth. Do not use any abrasive or solvent-based cleaner.

Emptying the container (fig. L & M)

The container (8) must be emptied when the maximum mark is reached.

- ◆ Remove the hose.
- ◆ Press the release button (30).
- ◆ Lift the lid (31) until it locks into position (fig. L).
- ◆ Hold the container at the handle (29). Take the container (8) off the appliance.
- ◆ Hold the container over a waste bin.
- ◆ Press the release button (32) to open the container (fig. M). Empty the container as necessary.
- ◆ Close the base (33) by moving it upward until the lock locates in the latch.
- ◆ Re-insert the container into the appliance.
- ◆ Close the lid until it locks into place.

Cleaning

Warning! Before cleaning and maintenance, switch the appliance off and unplug it.

- ◆ From time to time wipe the appliance with a damp cloth. Do not use any abrasive or solvent-based cleaner. Do not immerse the appliance in water.

Cleaning the container filter (fig. L - O)

The container filter prevents dust and dirt from entering the motor housing. The filter is re-usable. To maintain efficient suction performance, the filter should be cleaned every week, or whenever suction performance is noticeably reduced.

The appliance is fitted with a bypass valve. When the filter is clogged, the operation of the valve is audible. This is normal and does not indicate a problem. Switch off the appliance and remove the plug from the socket before cleaning the filters.

- ◆ Remove the container (8) from the appliance (fig. L).
- ◆ Empty the container (fig. M).
- ◆ Remove the cartridge (34) by turning counterclockwise (fig. N).
- ◆ Loosen the filter (35) and remove it from the container.
- ◆ Shake off excess dust by tapping the filter into a dustbin.

Warning! Do not brush or use compressed air to clean the filter.

- ◆ Depending on its condition, rinse the outside of the filter with water. Allow the filter to dry for 24 hours before re-inserting it.

Warning! Do not wash the inside of the filter.

- ◆ Take out the filter assembly (36) located right below the grid and brush off any loose dust before re-inserting it (fig. O).
- ◆ Replace the container filter and tighten it.
- ◆ Re-fit the cartridge.
- ◆ After replacing the filter, close the container.
- ◆ Re-insert the container into the appliance.

Cleaning the motor filter (fig. L & P)

The motor filter prevents particles and larger objects from entering the motor housing when the container is removed.

The filter is re-usable and should be cleaned regularly.

- ◆ Open the lid (31) (fig. L).
- ◆ Take the filter (37) out (fig. P).
- ◆ Brush any loose dust off the filter.
- ◆ Replace the filter.
- ◆ Close the lid.

Replacing the filters (fig. L - Q)

The container filter should be replaced every 6 to 9 months and whenever worn or damaged. When replacing the container filter, the motor filter and the outlet filters have to be replaced as well. Replacement filter sets are available from your Black & Decker dealer.

Replacing the container filter (fig. L - O)

- ◆ Proceed as described above to replace the filters.

Replacing the motor filter (fig. L & P)

- ◆ Proceed as described above to replace the filter.

VO1700A - Replacing the outlet filter (fig. Q)

- ◆ Open the cover (38).
- ◆ Remove the old filter (39).
- ◆ Insert the new filter as shown.
- ◆ Close the cover.

VO1700/VO1710 - Replacing the HEPA filter (fig. Q)

The HEPA filter reduces the amount of dust exiting the motor housing to a minimum.

- ◆ Proceed as described above to replace the filter.

Mains plug replacement (U.K. & Ireland only)

If a new mains plug needs to be fitted:

- ◆ Safely dispose of the old plug.
- ◆ Connect the brown lead to the live terminal in the new plug.
- ◆ Connect the blue lead to the neutral terminal.

Warning! No connection is to be made to the earth terminal. Follow the fitting instructions supplied with good quality plugs. Recommended fuse: 13 A.

Protecting the environment

Separate collection. This product must not be disposed of with normal household waste.

Should you find one day that your Black & Decker product needs replacement, or if it is of no further use to you, do not dispose of it with household waste. Make this product available for separate collection.



Separate collection of used products and packaging allows materials to be recycled and used again. Re-use of recycled materials helps prevent environmental pollution and reduces the demand for raw materials.

Local regulations may provide for separate collection of electrical products from the household, at municipal waste sites or by the retailer when you purchase a new product.

Black & Decker provides a facility for the collection and recycling of Black & Decker products once they have reached the end of their working life. To take advantage of this service please return your product to any authorised repair agent who will collect them on our behalf.

You can check the location of your nearest authorised repair agent by contacting your local Black & Decker office at the address indicated in this manual. Alternatively, a list of authorised Black & Decker repair agents and full details of our after-sales service and contacts are available on the Internet at: www.2helpU.com

Technical data

	VO1700	VO1700A VO1710
Voltage	V 230	230
Power input	W 1,700	1,700
Cable length	m 4.5	5
Container size	l 2.5	2.5
Weight	kg 7	7

EC declaration of conformity

VO1700/VO1700A/VO1710

Black & Decker declares that these products conform to: 89/336/EEC, 73/23/EEC, EN 55014, EN 61000, EN 60335

Level of sound pressure, measured according to EN 60704-1: 71 dB(A)

Kevin Hewitt
Director of Consumer Engineering
Spennymoor, County Durham DL16 6JG,
United Kingdom
1-12-2006

European Community design registration no. 351606-0001

Guarantee

Black & Decker is confident of the quality of its products and offers an outstanding guarantee. This guarantee statement is in addition to and in no way prejudices your statutory rights. The guarantee is valid within the territories of the Member States of the European Union and the European Free Trade Area.

If a Black & Decker product becomes defective due to faulty materials, workmanship or lack of conformity, within 24 months from the date of purchase, Black & Decker guarantees to replace defective parts, repair products subjected to fair wear and tear or replace such products to ensure minimum inconvenience to the customer unless:

- ◆ The product has been used for trade, professional or hire purposes;
- ◆ The product has been subjected to misuse or neglect;
- ◆ The product has sustained damage through foreign objects, substances or accidents;
- ◆ Repairs have been attempted by persons other than authorised repair agents or Black & Decker service staff.

To claim on the guarantee, you will need to submit proof of purchase to the seller or an authorised repair agent. You can check the location of your nearest authorised repair agent by contacting your local Black & Decker office at the address indicated in this manual. Alternatively, a list of authorised Black & Decker repair agents and full details of our after-sales service and contacts are available on the Internet at: www.2helpU.com

Please visit our website www.blackanddecker.co.uk to register your new Black & Decker product and to be kept up to date on new products and special offers. Further information on the Black & Decker brand and our range of products is available at www.blackanddecker.co.uk

Bestimmungsgemäße Verwendung

Ihr Black & Decker Staubsauger wurde zum Aufsaugen von trockenen Substanzen entwickelt.

Dieses Gerät ist nicht für den gewerblichen Einsatz vorgesehen.

Sicherheitshinweise

- ◆ **Achtung!** Bei der Verwendung netzbetriebener Geräte sind zum Schutz vor Feuergefahr, elektrischen Schlägen sowie Körperverletzungen und Sachschäden grundlegende Sicherheitsmaßnahmen einschließlich der folgenden Vorschriften zu beachten.
- ◆ Lesen Sie diese Anleitung genau durch, bevor Sie das Gerät verwenden.
- ◆ Die bestimmungsgemäße Verwendung ist in dieser Bedienungsanleitung beschrieben. Das Verwenden anderer als der in dieser Anleitung empfohlenen Vorsatzgeräte und Zubehörteile oder die Ausführung von Arbeiten mit diesem Gerät, die nicht der bestimmungsgemäßen Verwendung entsprechen, kann zu Unfallgefahren führen.
- ◆ Bewahren Sie diese Anleitung auf.

Gebrauch des Gerätes

- ◆ Stellen Sie sicher, daß das Gerät ausgeschaltet ist, bevor Sie es mit der Stromversorgung verbinden oder von ihr trennen.
- ◆ Gehen Sie beim Gebrauch des Geräts stets vorsichtig vor.
- ◆ Verwenden Sie das Gerät nicht im Freien.
- ◆ Benutzen Sie nicht das Kabel, um den Stecker aus der Steckdose zu ziehen. Schützen Sie das Kabel vor Hitze, Öl und scharfen Kanten.
- ◆ Wird das Kabel während des Gebrauchs beschädigt, trennen Sie das Gerät sofort vom Netz. Berühren Sie das Kabel nicht, solange es noch am Netz angeschlossen ist.
- ◆ Trennen Sie das Gerät vom Netz, wenn es nicht gebraucht wird, bevor Teile angebracht oder entfernt werden und bevor das Gerät gereinigt wird.

Sicherheit anderer Personen

- ◆ Untersagen Sie Kindern sowie Personen, die mit dem Inhalt dieser Anleitung nicht vertraut sind, die Verwendung dieses Geräts.
- ◆ Halten Sie Kinder und Tiere vom Arbeitsbereich fern, und sorgen Sie dafür, daß Gerät und Netzkabel nicht berührt werden. Wird das Gerät in der Nähe von Kindern verwendet, so ist äußerste Achtsamkeit geboten.

Nach der Verwendung

- ◆ Schalten Sie das Gerät aus, und ziehen Sie den Stecker aus der Steckdose, bevor Sie das Gerät unbeaufsichtigt zurücklassen und bevor Sie Teile des Gerätes verändern, reinigen oder überprüfen.
- ◆ Das unbenutzte Gerät ist an einem trockenen Ort aufzubewahren. Kinder sollten keinen Zugang zu aufbewahrten Geräten haben.

Überprüfung und Reparaturen

- ◆ Überprüfen Sie das Gerät vor dem Gebrauch auf beschädigte oder defekte Teile. Prüfen Sie, ob Teile gebrochen, Schalter beschädigt oder andere Zustände eingetreten sind, die die Funktion des Gerätes beeinträchtigen.
- ◆ Benutzen Sie das Gerät nicht, wenn irgendein Teil defekt ist.
- ◆ Lassen Sie defekte Teile immer von einer unserer Kundendienstwerkstätten reparieren oder austauschen.
- ◆ Überprüfen Sie vor dem Gebrauch das Netzkabel auf Beschädigung, Alterung und Verschleiß.
- ◆ Verwenden Sie das Gerät nicht, falls das Netzkabel oder der Netzstecker beschädigt ist.
- ◆ Falls das Netzkabel oder der Netzstecker beschädigt ist, so sind die beschädigten Teile von einer autorisierten Reparaturwerkstatt auszutauschen, um Gefahren vorzubeugen. Schneiden Sie nicht in das Netzkabel, und versuchen Sie nicht, das Kabel selbst zu reparieren.
- ◆ Versuchen Sie nie, irgendwelche Teile zu entfernen oder auszutauschen, die nicht in dieser Anleitung beschrieben werden.

Elektrische Sicherheit



Dieses Gerät ist schutzisoliert, daher ist keine Erdleitung erforderlich. Überprüfen Sie immer, ob die Netzspannung der auf dem Typenschild des Geräts angegebenen Spannung entspricht.

- ◆ Dieses Gerät darf ohne Aufsicht nicht von jungen oder schwachen Personen verwendet werden. Kinder müssen beaufsichtigt werden, um sicherzustellen, daß sie nicht mit dem Gerät spielen.
- ◆ Falls das Netzkabel beschädigt ist, so ist es vom Hersteller oder einem autorisierten Black & Decker Service Center auszutauschen, um Gefahren vorzubeugen.

Zusätzliche Sicherheitsanweisungen für Staubsauger

- ◆ Vergewissern Sie sich stets vor dem Gebrauch, dass die Filter richtig sitzen. Verwenden Sie das Gerät nur, wenn sich alle Filter an ihrem Platz befinden.
- ◆ Tragen Sie das Gerät nicht am Behältergriff.

- ◆ Saugen Sie keine Flüssigkeiten mit dem Gerät auf.
- ◆ Saugen Sie kein feuergefährliches Material mit dem Gerät auf.
- ◆ Verwenden Sie das Gerät nicht in der Nähe von Wasser. Tauchen Sie das Gerät nicht in Wasser ein.
- ◆ Halten Sie den Saugstutzen von Augen und Gesicht fern.
- ◆ Halten Sie Kinder und Tiere beim Gebrauch des Gerätes in einem sicheren Abstand.
- ◆ Arbeiten Sie stets von unten nach oben, wenn das Gerät auf Treppen verwendet wird, und halten Sie das Gerät mindestens eine Treppenstufe unterhalb Ihrer Arbeitsposition.
- ◆ Seien Sie sich beim Gebrauch des Geräts stets über die Position der Netzleitung und des Schlauchs bewusst.
- ◆ Verwenden Sie das Gerät nicht ohne den Saugkopf oder ein anderes geeignetes Zubehörteil, das am Rohr befestigt wird.
- ◆ Wickeln Sie die Netzleitung nach dem Gebrauch wieder vollständig auf und verstauen Sie das Gerät ordentlich.
- ◆ Halten Sie Haare, Kleidung und Handschuhe fern von sich bewegenden Teilen.
- ◆ Verwenden Sie kein beschädigtes Zubehör.
- ◆ Verwenden Sie ausschließlich Black & Decker Zubehör.

Merkmale

Dieses Gerät weist einige oder alle der folgenden Merkmale auf (Abb. A).

1. Ein-/Aus-Schalter
2. Kabelaufwickelknopf
3. Handgriff
4. Schlauch
5. Nebenluftregler
6. Rohr
7. Saugkopf
8. Behälter
9. Räder

Zusätzlich wird dieses Gerät mit einigen oder allen der folgenden Zubehörteile ausgeliefert (Abb. B):

10. Fugendüse
11. Bürstendüse
12. Zubehöralter
13. Parkettbodenkopf (VO1710)

Der Parkettbodenkopf ist nicht bei allen Modellen Teil des Lieferumfangs. Dieses Zubehör ist bei Ihrem Black & Decker Händler / Servicecenter erhältlich.

Montage

Anschließen des Schlauches (Abb. C)

- ◆ Setzen Sie die Schlauchverbindung (15) in den Einlaß (14) des Geräts ein.
- ◆ Schieben Sie den Schlauch hinein, bis die Löseknöpfe (16) in ihrer Position einrasten.

- ◆ Um den Schlauch zu trennen, drücken Sie auf die Löseknöpfe und ziehen Sie den Schlauch heraus.

VO1700/VO1700A - Montage des Rohrs (Abb. D)

- ◆ Das untere Rohr (17) fest in das obere Rohr (18) schieben, bis die Rohre eng sitzen.

Verbinden des Rohrs (Abb. E)

- ◆ Schieben Sie die Schlauchdüse (19) in das Rohr (6).
- ◆ Um das Rohr zu entfernen, ziehen Sie den Schlauch aus dem Rohr heraus.

Anbringen des Saugkopfs (Abb. F)

Mit dem Saugkopf (7) können Saugarbeiten auf Teppich und harten Oberflächen (z.B. Laminat und Fliesen) durchgeführt werden.

- ◆ Schieben Sie das Rohr (6) in den Kopf (7).
- ◆ Um den Kopf zu entfernen, ziehen Sie das Rohr aus dem Kopf heraus.

VO1710 - Anbringen des Parkettbodenkopfs (Abb. F)

Mit dem Parkettbodenkopf (13) können Saugarbeiten auf hölzernen oder polierten Oberflächen ausgeführt werden.

- ◆ Schieben Sie das Rohr (6) in den Kopf (13).
- ◆ Um den Kopf zu entfernen, ziehen Sie das Rohr aus dem Kopf heraus.

Anbringen von Zubehör (Abb. F & G)

Mit der Fugendüse (10) können Saugarbeiten an schmalen und unzugänglichen Stellen durchgeführt werden. Mit der Bürstendüse (11) können Saugarbeiten auf Möbeln, Jalousien, Vorhängen, Fenstern und Treppen durchgeführt werden. Das Zubehör kann sowohl am Schlauch (4) als auch am Rohr (6) angebracht werden. Bei Nichtverwendung kann das Zubehör im Zubehöralter (12) verstaut werden.

- ◆ Nehmen Sie das Zubehör aus dem Halter (Abb. G).
- ◆ Schieben Sie das Zubehör auf die Schlauchdüse (19) oder auf das Rohr (6) (Abb. F).
- ◆ Um ein Zubehörteil zu entfernen, ziehen Sie das Zubehör von der Schlauchdüse oder dem Rohr ab.

Gebrauch

Ab- und Aufwickeln des Netzkabels (Abb. A)

Der Kabelaufwickelknopf (2) kann mit der Hand oder mit dem Fuß betätigt werden.

- ◆ Ziehen Sie eine hinreichende Kabellänge aus der Rückseite des Geräts heraus.
- ◆ Drücken Sie nach dem Gebrauch auf den Kabelaufwickelknopf, um das Kabel wieder in das Gerät hineinzuziehen. Führen Sie das Kabel von Hand, um sicherzustellen, daß es nicht zurückschnellt.

Vergewissern Sie sich, daß sich der Stecker am richtigen Platz befindet.

VO1710 - Einstellen der Rohrlänge (Abb. H)

Das Verlängerungsrohr (6) kann folgendermaßen eingestellt werden:

- ◆ Drücken Sie auf den Knopf (20) und schieben Sie das Rohr auf die gewünschte Länge.
- ◆ Lassen Sie den Knopf los.

Einstellen des Saugkopfs (Abb. F)

- ◆ Um Staubsaugarbeiten auf Teppichen auszuführen, stellen Sie den Bürstenbetätiger (21) in die obere Position.
- ◆ Um Saugarbeiten auf Laminat, Fliesen, usw. auszuführen, stellen Sie den Bürstenbetätiger in die untere Position.

Ein- und Ausschalten (Abb. A)

Der Ein-/Ausschalter (1) kann mit der Hand oder mit dem Fuß betätigt werden.

- ◆ Um das Gerät einzuschalten, drücken Sie auf den Ein-/Ausschalter (1).
- ◆ Um das Gerät auszuschalten, drücken Sie erneut auf den Ein-/Ausschalter.

Einstellen der Nebenluft (Abb. I)

Stellen Sie den Nebenluftregler (5) so ein, daß der gewünschte Luftstrom erzielt wird.

Staubsaugen

- ◆ Stellen Sie beim Gebrauch des Geräts sicher, daß der Schlauch nicht eingeklemmt, verdreht oder blockiert wird.
- ◆ Im Falle einer Überhitzung wird das Gerät automatisch abgeschaltet.
- ◆ Falls das Gerät abschaltet, ziehen Sie den Stecker des Geräts aus der Steckdose und lassen Sie es vor dem Fortfahren 2 bis 3 Stunden abkühlen.

Hinweise für optimale Arbeitsergebnisse

- ◆ Bei Saugarbeiten auf Treppen beginnen Sie stets unten und arbeiten Sie nach oben. Stellen Sie das Gerät auf den Boden und arbeiten Sie bis zur Hälfte der Stufen. Tragen Sie das Gerät anschließend zu einer standsicheren Position, die sich mindestens eine Stufe unterhalb Ihrer Arbeitsposition befindet. Führen Sie die Arbeit dann auf der oberen Hälfte der Stufen aus.

Tragen des Geräts (Abb. A)

Beim Gebrauch kann das Gerät am Griff (3) getragen werden.

Kurzzeitiges Parken des Saugkopfs (Abb. J)

- ◆ Verwenden Sie die Parkposition (22), um den Saugkopf kurzzeitig zu parken.

Verstauen des Geräts (Abb. K)

Achtung! Wird das Gerät verstaut, schalten Sie das Gerät ab und ziehen Sie den Netzstecker aus der Steckdose.

- ◆ Vergewissern Sie sich, daß das Kabel vollständig aufgewickelt ist.
- ◆ Stellen Sie das Gerät aufrecht hin.
- ◆ Parken Sie das Rohr in der Parkposition (28).
- ◆ Bewahren Sie das Gerät an einem trockenen Ort auf.

Wartung

Ihr Black & Decker Gerät wurde im Hinblick auf eine lange Lebensdauer und einen möglichst geringen Wartungsaufwand entwickelt. Ein dauerhafter, einwandfreier Betrieb setzt eine regelmäßige Reinigung voraus.

Achtung! Vor der Durchführung von Wartungs- oder Reinigungsarbeiten am Gerät ziehen Sie den Netzstecker aus der Steckdose.

- ◆ Reinigen Sie regelmäßig die Lüftungsschlitze im Gerät mit Hilfe einer weichen Bürste oder eines trockenen Tuches.
- ◆ Reinigen Sie regelmäßig das Motorgehäuse mit Hilfe eines feuchten Tuches. Verwenden Sie keine scheuernden Reinigungsmittel oder Reinigungsmittel auf Lösungsmittelbasis.

Entleeren des Behälters (Abb. L & M)

Der Behälter (8) muss entleert werden, sobald die Maximum-Marke erreicht ist.

- ◆ Entfernen Sie den Schlauch.
- ◆ Drücken Sie auf den Freigabeknopf (30).
- ◆ Heben Sie den Deckel (31), bis er in seiner Position einrastet (Abb. L).
- ◆ Halten Sie den Behälter am Handgriff (29). Nehmen Sie den Behälter (8) vom Gerät.
- ◆ Halten Sie den Behälter über einen Abfalleimer.
- ◆ Drücken Sie auf den Freigabeknopf (32), um den Behälter zu öffnen (Abb. M). Leeren Sie den Behälter bei Bedarf.
- ◆ Schließen Sie den Fuß (33), indem Sie ihn nach oben bewegen, bis sich die Sperre in der Verriegelung befindet.
- ◆ Setzen Sie den Behälter wieder in das Gerät ein.
- ◆ Schließen Sie den Deckel, bis er in seiner Lage einrastet.

Reinigung

Achtung! Bevor Sie irgendwelche Reinigungs- und Wartungsarbeiten vornehmen, schalten Sie das Gerät aus, und ziehen Sie den Netzstecker.

- ◆ Wischen Sie das Gerät von Zeit zu Zeit mit einem feuchten Tuch ab. Verwenden Sie keine scheuernden Reinigungsmittel oder Reinigungsmittel auf Lösungsmittelbasis. Tauchen Sie das Gerät nicht in Wasser ein.

Reinigung des Behälterfilters (Abb. L - O)

Der Behälterfilter verhindert, daß Staub und Schmutz in das Motorgehäuse eindringen. Der Filter ist wiederverwendbar. Für eine effiziente Saugleistung sollte der Filter wöchentlich bzw. bei spürbarem Nachlassen der Saugleistung gereinigt werden. Das Gerät ist mit einem Umgehungsventil ausgerüstet. Ist der Filter verstopft, so ist der Betrieb des Ventilis hörbar. Dies ist normal und kein Anzeichen für einen Fehler. Schalten Sie das Gerät aus und ziehen Sie den Stecker aus der Steckdose, bevor Sie die Filter reinigen.

- ◆ Nehmen Sie den Behälter (8) aus dem Gerät (Abb. L).
- ◆ Entleeren Sie den Behälter (Abb. M).
- ◆ Entfernen Sie den Einsatz (34) durch Drehen gegen den Uhrzeigersinn (Abb. N).
- ◆ Lösen Sie den Filter (35) und entfernen Sie ihn aus dem Behälter.
- ◆ Schütteln Sie den Staub ab, indem Sie den Filter in einem Abfalleimer ausklopfen.

Achtung! Den Filter nicht abbürsten oder mit Druckluft reinigen.

- ◆ Je nach Zustand das Äußere des Filters mit Wasser abspülen. Lassen Sie den Filter 24 Stunden trocknen, bevor Sie ihn wieder in das Gerät einsetzen.

Achtung! Waschen Sie nicht das Innere des Filters.

- ◆ Nehmen Sie die Filterbaugruppe (36) heraus, die sich direkt unter dem Gitter befindet, und bürsten Sie losen Staub ab, bevor Sie die Filterbaugruppe wieder einsetzen (Abb. O).
- ◆ Bringen Sie den Behälterfilter wieder an und ziehen Sie ihn an.
- ◆ Bringen Sie den Einsatz wieder an.
- ◆ Schließen Sie nach dem Wiedereinbau des Filters den Behälter.
- ◆ Setzen Sie den Behälter wieder in das Gerät ein.

Reinigen des Motorfilters (Abb. L & P)

Der Motorfilter verhindert, daß Partikel und größere Gegenstände in das Motorgehäuse gelangen, wenn der Behälter entfernt wird. Der Filter ist wiederverwertbar und sollte regelmäßig gereinigt werden.

- ◆ Öffnen Sie den Deckel (31) (Abb. L).
- ◆ Nehmen Sie den Filter (37) heraus (Abb. P).
- ◆ Bürsten Sie lockeren Staub vom Filter.
- ◆ Setzen Sie den Filter wieder ein.
- ◆ Schließen Sie den Deckel.

Erneuerung der Filter (Abb. L - Q)

Der Behälterfilter sollte alle 6 bis 9 Monate sowie bei Verschleiß oder Beschädigung erneuert werden. Bei der Erneuerung des Behälterfilters müssen Motorfilter und Auslaßfilter ebenfalls erneuert werden. Ersatzfiltersätze erhalten Sie bei Ihrem Black & Decker Händler.

Erneuerung des Behälterfilters (Abb. L - O)

- ◆ Zur Erneuerung der Filter gehen Sie wie oben beschrieben vor.

Erneuerung des Motorfilters (Abb. L & P)

- ◆ Zur Erneuerung des Filters gehen Sie wie oben beschrieben vor.

VO1700A - Erneuerung des Auslaßfilters (Abb. Q)

- ◆ Öffnen Sie die Abdeckung (38).
- ◆ Entfernen Sie den alten Filter (39).
- ◆ Setzen Sie den neuen Filter wie angegeben ein.
- ◆ Schließen Sie die Abdeckung.

VO1700/VO1710 - Erneuerung des HEPA-Filters (Abb. Q)

Der HEPA-Filter verringert die Staubmenge, die aus dem Motorgehäuse austritt, auf ein Mindestmaß.

- ◆ Zur Erneuerung des Filters gehen Sie wie oben beschrieben vor.

Umweltschutz

Getrennte Entsorgung. Dieses Produkt darf nicht über den normalen Hausmüll entsorgt werden.

Sollte Ihr Black & Decker Produkt eines Tages erneuert werden müssen, oder falls Sie es nicht weiter verwenden wollen, so darf es nicht über den Hausmüll entsorgt werden. Stellen Sie dieses Produkt zur getrennten Entsorgung bereit.



Durch die getrennte Entsorgung gebrauchter Produkte und Verpackungen können die Materialien recycelt und wiederverwertet werden. Die Wiederverwertung recycelter Materialien schont die Umwelt und verringert die Nachfrage nach Rohstoffen.

Die regionalen Bestimmungen schreiben unter Umständen die getrennte Entsorgung elektrischer Produkte aus dem Haushalt an Sammelstellen oder seitens des Händlers vor, bei dem Sie das neue Produkt erworben haben.

Black & Decker nimmt Ihre ausgedienten Black & Decker Geräte gern zurück und sorgt für eine umweltfreundliche Entsorgung und Wiederverwertung. Um diesen Dienst zu nutzen, schicken Sie bitte Ihr Produkt zu einer Vertragswerkstatt. Hier wird es dann auf unsere Kosten gesammelt.

Die Adresse der zuständigen Black & Decker Vertretung steht in diesem Handbuch, darüber läßt sich die nächstgelegene Vertragswerkstatt ermitteln. Außerdem ist eine Liste der Vertragswerkstätten und aller Kundendienststellen von Black & Decker sowie der zuständigen Ansprechpartner im Internet zu finden unter: www.2helpU.com

Technische Daten

	VO1700	VO1700A VO1710
Spannung	V 230	230
Leistungsaufnahme	W 1.700	1.700
Kabellänge	m 4,5	5
Behältergröße	l 2,5	2,5
Gewicht	kg 7	7

EG-Konformitätserklärung

VO1700/VO1700A/VO1710

Black & Decker erklärt, daß diese Produkte folgende

Konformität erfüllen:

89/336/EWG, 73/23/EWG, EN 55014, EN 61000, EN 60335

Höhe des Schalldrucks, gemessen nach EN 60704-1:
71 dB(A)



Kevin Hewitt
Director of Consumer Engineering
Spennymoor, County Durham DL16 6JG,
Vereinigtes Königreich
1-12-2006

Design-Registrierungs-Nr. Europäische
Gemeinschaft 351606-0001

Garantie

Black & Decker vertraut auf die Qualität der eigenen Geräte und bietet dem Käufer eine außergewöhnliche Garantie. Diese Garantiezusage versteht sich unbeschadet der gesetzlichen Gewährleistungsansprüche und schränkt diese keinesfalls ein. Sie gilt in sämtlichen Mitgliedsstaaten der Europäischen Union und der Europäischen Freihandelszone EFTA.

Tritt innerhalb von 24 Monaten ab Kaufdatum an einem Gerät von Black & Decker ein auf Material- oder Verarbeitungsfehler zurückzuführender Mangel auf, garantiert Black & Decker den Austausch defekter Teile, die Reparatur von Geräten mit üblichem Verschleiß bzw. den Austausch eines mangelhaften Geräts, ohne den Kunden dabei mehr als unbedingt nötig in Anspruch zu nehmen, allerdings vorbehaltlich folgender Ausnahmen:

- ◆ wenn das Gerät gewerblich, beruflich oder im Verleihgeschäft benutzt wurde;

- ◆ wenn das Gerät mißbräuchlich verwendet oder mit mangelnder Sorgfalt behandelt wurde;
- ◆ wenn das Gerät durch irgendwelche Fremdeinwirkung beschädigt wurde;
- ◆ wenn ein unbefugter Reparaturversuch durch anderes Personal als das einer Vertragswerkstatt oder des Black & Decker-Kundendienstes unternommen wurde.

Zur Inanspruchnahme dieser Garantie ist dem Verkäufer bzw. der Vertragswerkstatt ein Kaufnachweis vorzulegen. Der Kaufnachweis muß Kaufdatum und Gerätetyp bescheinigen. Die Adresse des zuständigen Büros von Black & Decker steht in dieser Anleitung, darüber läßt sich die nächstgelegene Vertragswerkstatt ermitteln. Außerdem ist eine Liste der Vertragswerkstätten und aller Kundendienststellen von Black & Decker sowie der zuständigen Ansprechpartner im Internet zu finden unter: www.2helpU.com

Bitte besuchen Sie unsere Webseite

www.blackanddecker.de, um Ihr neues Black & Decker Produkt zu registrieren und über neue Produkte und Sonderangebote aktuell informiert zu werden. Weitere Informationen über die Marke Black & Decker und unsere Produkte finden Sie unter www.blackanddecker.de

Utilisation prévue

Votre aspirateur Black & Decker a été conçu pour aspirer des substances sèches.

Ce produit a été conçu uniquement pour une utilisation domestique.

Instructions de sécurité

- ◆ **Attention !** Lors de l'utilisation d'appareils électriques, observez les consignes de sécurité fondamentales, y compris celles qui suivent, afin de réduire les risques d'incendie, de décharges électriques, de blessures et de dommages matériels.
- ◆ Lisez et observez attentivement les instructions avant d'utiliser l'appareil.
- ◆ Le domaine d'utilisation de l'appareil est décrit dans le présent manuel. Une utilisation de l'appareil autre que celles prévues dans le présent manuel ou l'utilisation d'accessoires autres que ceux recommandés dans le présent manuel pourrait entraîner un risque de blessure.
- ◆ Conservez ce manuel à titre de référence.

Utilisation de l'appareil

- ◆ Vérifiez que l'appareil est bien éteint avant de le brancher ou de le débrancher du secteur.
- ◆ Utilisez toujours cet appareil avec précaution.
- ◆ N'utilisez pas l'appareil à l'extérieur.
- ◆ Ne tirez jamais sur le cordon d'alimentation pour débrancher la prise du secteur. Préservez le cordon d'alimentation de la chaleur, de l'huile et des arêtes tranchantes.
- ◆ Si le cordon d'alimentation est endommagé pendant l'utilisation, débranchez l'outil immédiatement. Ne touchez pas le cordon d'alimentation avant de le débrancher du secteur.
- ◆ Débranchez l'appareil du secteur lorsque vous ne l'utilisez pas, avant d'installer ou d'enlever des pièces et avant de le nettoyer.

Sécurité des tierces personnes

- ◆ Ne laissez jamais aucun enfant ou aucune personne non familiarisée avec ces instructions utiliser cet appareil.
- ◆ Ne laissez pas les enfants ou les animaux s'approcher de l'aire de travail voire toucher l'appareil ou le cordon d'alimentation. Il faut redoubler de vigilance lorsque l'appareil est utilisé à proximité d'enfants.

Après emploi

- ◆ Débranchez l'appareil du secteur avant de le laisser sans surveillance et avant de remplacer, de nettoyer ou de contrôler une pièce quelconque de l'ensemble.

- ◆ Rangez l'appareil dans un endroit sec. Ne laissez pas les enfants s'approcher des appareils, même quand ils sont rangés.

Vérifications et réparations

- ◆ Avant d'utiliser l'appareil, vérifiez qu'il n'est pas endommagé et qu'il n'y a pas de pièces défectueuses. Assurez-vous que les pièces et les boutons ne sont pas endommagés et recherchez tout autre facteur qui pourrait nuire à son fonctionnement.
- ◆ N'utilisez pas l'appareil si une pièce est endommagée ou défectueuse.
- ◆ Faites réparer ou remplacer toute pièce endommagée par un réparateur agréé.
- ◆ Avant d'utiliser l'appareil, vérifiez que le cordon d'alimentation n'est pas endommagé ni usé.
- ◆ N'utilisez pas cet appareil si le cordon d'alimentation ou la prise du secteur sont endommagés ou défectueux.
- ◆ Si le cordon d'alimentation est endommagé, il doit être remplacé par un réparateur agréé pour éviter tout accident. Ne coupez pas le cordon d'alimentation et n'essayez pas de le réparer vous-même.
- ◆ N'essayez jamais d'enlever ou de changer des pièces autres que celles spécifiées dans ce manuel.

Sécurité électrique



L'outil est doublement isolé ; par conséquent, aucun câble de masse n'est nécessaire. Vérifiez si le voltage mentionné sur la plaque signalétique correspond bien à la tension de réseau sur site.

- ◆ Cet appareil n'est pas destiné à être utilisé par des jeunes ou des personnes infirmes sans supervision. Les enfants ne doivent pas jouer avec l'appareil.
- ◆ Si le câble d'alimentation est endommagé, il doit être remplacé par le fabricant ou par un centre de réparation agréé Black & Decker afin d'éviter tout accident.

Consignes supplémentaires de sécurité applicables aux aspirateurs

- ◆ Avant usage, vérifiez toujours que les filtres sont bien en place. N'utilisez pas l'appareil si tous les filtres ne sont pas en place.
- ◆ Ne portez pas l'appareil par la poignée du bac.
- ◆ N'utilisez pas l'appareil pour aspirer des liquides.
- ◆ N'utilisez pas l'appareil pour aspirer des matières inflammables.
- ◆ N'utilisez pas l'appareil près de l'eau. N'immergez pas l'appareil dans l'eau.
- ◆ Éloignez le visage et les yeux du courant d'air provoqué par le moteur.

- ◆ Quand vous utilisez l'appareil, maintenez les enfants et les animaux à une distance de sécurité.
- ◆ Travaillez toujours du bas vers le haut quand vous utilisez l'appareil dans un escalier et placez-le au moins une marche en dessous de vous.
- ◆ Soyez toujours au fait de la position du cordon d'alimentation et du tuyau en utilisant l'appareil.
- ◆ L'appareil ne doit pas être utilisé sans le suceur ou un autre accessoire monté sur le tube.
- ◆ Après usage, enrroulez complètement le cordon d'alimentation et rangez l'appareil avec soin.
- ◆ N'approchez pas les cheveux, vêtements ou gants des parties des pièces mobiles.
- ◆ N'utilisez aucun accessoire endommagé.
- ◆ Utilisez uniquement des accessoires Black & Decker.

Caractéristiques

Cet appareil comprend toutes ou certaines des caractéristiques suivantes (fig. A).

1. Interrupteur marche/arrêt
2. Bouton enrrouleur de cordon
3. Poignée
4. Tuyau
5. Bouton de commande de débit d'air
6. Tube
7. Suceur
8. Réservoir
9. Roulettes

Cet appareil est livré avec quelques-uns ou tous les éléments suivants (fig. B) :

10. Suceur plat
11. Brosse
12. Support d'accessoires
13. Suceur à parquets (VO1710)

Le suceur à parquets n'est pas fourni pour tous les modèles.

Cet accessoire est disponible auprès de votre revendeur / centre d'entretien Black & Decker.

Montage

Branchement du tuyau (fig. C)

- ◆ Insérez le raccord du tuyau (15) dans l'orifice (14) de l'appareil.
- ◆ Poussez sur le tuyau jusqu'à ce que les boutons de libération (16) s'enclenchent.
- ◆ Pour enlever le tuyau, appuyez sur les boutons de libération et tirez sur le tuyau.

VO1700/VO1700A - Montage du tube (fig. D)

- ◆ Enfoncez fermement le tube inférieur (17) dans le tube supérieur (18), jusqu'à ce qu'ils soient fermement enclenchés.

Branchement du tube (fig. E)

- ◆ Insérez la buse du tuyau (19) dans le tube (6).
- ◆ Pour retirer le tube, tirez le tuyau hors du tube.

Montage du suceur (fig. F)

Le suceur (7) permet d'aspirer les tapis et les surfaces dures (par exemple les stratifiés et les carreaux).

- ◆ Enfoncez le tube (6) dans le suceur (7).
- ◆ Pour retirer le suceur, tirez le tube hors du suceur.

VO1710 - Montage du suceur à parquets (fig. F)

Le suceur à parquets (13) permet d'aspirer les surfaces en bois et polies.

- ◆ Enfoncez le tube (6) dans le suceur (13).
- ◆ Pour retirer le suceur, tirez le tube hors du suceur.

Montage des accessoires (fig. F & G)

Le suceur plat (10) permet d'aspirer dans les endroits étroits et difficiles d'accès. La brosse (11) est destinée à aspirer les meubles, les persiennes, les rideaux, les fenêtres et les escaliers. Il est possible de monter les accessoires sur le tuyau (4) et sur le tube (6). Les accessoires se rangent dans le support prévu à cet effet (12).

- ◆ Retirez l'accessoire du support (fig. G).
- ◆ Enfoncez l'accessoire sur la buse du tuyau (19) ou sur le tube (6) (fig. F).
- ◆ Pour retirer un accessoire, tirez l'accessoire hors de la buse du tuyau ou du tube.

Utilisation

Dérroulement et enrroulement du cordon (fig. A)

Le bouton d'enroulement du cordon (2) est maniable avec la main ou avec le pied.

- ◆ Tirez une longueur suffisante de cordon de l'arrière de l'appareil.
- ◆ Après l'emploi, enfoncez le bouton d'enroulement du cordon pour le rétracter dans l'unité. Guidez manuellement le cordon pour qu'il ne se torde pas. Vérifiez que la prise est bien placée.

VO1710 - Réglage de la longueur du tube (fig. H)

Le tube télescopique (6) peut être réglé comme suit :

- ◆ Appuyez sur le bouton (20) et faites glisser le tube à la longueur voulue.
- ◆ Relâchez le bouton.

Réglage du suceur (fig. F)

- ◆ Pour aspirer les tapis, placez le bouton de commande de la brosse (21) sur la position supérieure.
- ◆ Pour aspirer des stratifiés, des carreaux, etc., placez le bouton de commande de la brosse sur la position inférieure.

Démarrage et arrêt (fig. A)

L'interrupteur marche/arrêt (1) peut être actionné avec le pied ou avec la main.

- ◆ Pour mettre l'appareil en marche, appuyez sur l'interrupteur marche/arrêt (1).
- ◆ Pour arrêter l'appareil, appuyez de nouveau sur l'interrupteur marche/arrêt.

Réglage du débit d'air (fig. I)

Ajustez le débit d'air selon vos besoins à l'aide du bouton de commande de débit d'air (5).

Aspiration

- ◆ Prenez garde, quand vous utilisez l'appareil, à ne pas coincer, tordre ou bloquer le tuyau.
- ◆ En cas de surchauffe, un sectionneur sera activé et arrêtera automatiquement l'appareil.
- ◆ Si l'appareil s'arrête, débranchez-le et laissez-le refroidir pendant 2-3 heures avant de poursuivre.

Conseils pour une utilisation optimale

- ◆ Dans les escaliers, commencez toujours par le bas et travaillez en montant. Placez l'appareil sur le sol et aspirez l'escalier jusqu'au milieu. Mettez ensuite l'appareil en position stable sur une marche se trouvant au moins un niveau en dessous de vous et faites le reste de l'escalier.

Comment porter l'appareil (fig. A)

L'appareil peut, pendant l'utilisation, être transporté par la poignée (3).

Rangement provisoire du suceur (fig. J)

- ◆ Pour ranger provisoirement le suceur, placez-le sur la position de rangement (22).

Rangement de l'appareil (fig. K)

Attention ! Lorsque vous rangez l'appareil, éteignez-le et débranchez-le.

- ◆ Vérifiez que le cordon est entièrement enroulé.
- ◆ Placez l'appareil debout.
- ◆ Laissez le tube en position de rangement (28).
- ◆ Rangez l'appareil dans un endroit sec.

Entretien

Votre appareil Black & Decker a été conçu pour fonctionner pendant longtemps avec un minimum d'entretien. Un fonctionnement satisfaisant et durable dépend d'un nettoyage régulier et d'un entretien approprié de l'appareil.

Attention ! Avant d'intervenir sur l'appareil, débranchez-le.

- ◆ Nettoyez régulièrement les orifices de ventilation de votre appareil à l'aide d'une brosse douce ou d'un chiffon sec.

- ◆ Nettoyez régulièrement le compartiment du moteur à l'aide d'un chiffon humide. N'utilisez pas de produit abrasif ou à base de solvant.

Vidage du bac (fig. L & M)

Le bac (8) doit être vidé lorsque le repère maximum est atteint.

- ◆ Retirez le tuyau.
- ◆ Appuyez sur le bouton de verrouillage (30)
- ◆ Levez le couvercle (31) pour le bloquer en position (fig. L).
- ◆ Tenez le bac par la poignée (29). Retirez le bac (8) hors de l'appareil.
- ◆ Tenez le bac au dessus d'une poubelle.
- ◆ Appuyez sur le bouton de verrouillage (32) pour ouvrir le bac (fig. M). Videz le bac selon les besoins.
- ◆ Fermez la base (33) en la relevant pour que le verrou s'engage avec la gâche.
- ◆ Remettez le bac dans l'appareil.
- ◆ Fermez le couvercle pour le verrouiller en place.

Nettoyage

Attention ! Avant d'effectuer tout entretien ou nettoyage, éteignez et débranchez l'appareil.

- ◆ Essuyez de temps en temps l'appareil avec un chiffon humide. N'utilisez pas de produit abrasif ou à base de solvant. N'immergez pas l'appareil dans l'eau.

Nettoyage du filtre du bac (fig. L - O)

Le filtre du bac empêche la poussière et les impuretés d'entrer dans le carter du moteur. Le filtre est réutilisable. Pour assurer une aspiration efficace, le filtre doit être nettoyé chaque semaine ou dès que les performances d'aspiration sont réduites manière notable. L'appareil est doté d'une soupape de dérivation. Lorsque le filtre est bouché, l'opération de la soupape est audible. C'est normal et n'indique pas une défaillance. Eteignez l'appareil et débranchez-le avant de nettoyer les filtres.

- ◆ Retirez le bac (8) de l'appareil (fig. L).
- ◆ Videz le bac (fig. M)
- ◆ Retirez la cartouche (34) en la faisant tourner dans le sens anti-horaire (fig. N).
- ◆ Desserrez le filtre (35) et enlevez-le du bac.
- ◆ Époussetez le filtre en le tapotant contre la poubelle.

Attention ! Ne nettoyez pas le filtre à la brosse ni à l'air comprimé.

- ◆ Selon l'état du filtre, nettoyez la partie externe avec de l'eau. Laissez-le sécher pendant 24 heures avant de le réintroduire dans le bac.

Attention ! Ne lavez pas l'intérieur du filtre.

- ◆ Retirez le filtre (36) situé juste sous la grille et brossez tout résidu de poussière avant de le remettre en place (fig. O).
- ◆ Remettez le filtre de bac et serrez-le.
- ◆ Remettez la cartouche.

- ◆ Après remplacement du filtre, fermez le bac.
- ◆ Remettez le bac dans l'appareil.

Nettoyage du filtre du moteur (fig. L & P)

Le filtre du moteur empêche les particules ou éléments plus gros d'entrer dans le logement du moteur lorsque le bac est enlevé. Le filtre est réutilisable et doit être nettoyé régulièrement.

- ◆ Ouvrez le couvercle (31) (fig. L).
- ◆ Sortez le filtre (37) (fig. P).
- ◆ Enlevez les poussières détachables du filtre à l'aide d'une brosse.
- ◆ Remplacez le filtre.
- ◆ Fermez le couvercle.

Changement des filtres (fig. L - Q)

Le filtre du bac doit être remplacé tous les 6 à 9 mois et dès qu'il est usé ou endommagé. Quand vous changez le filtre du bac, vous devez également changer le filtre du moteur et les filtres de sortie. Vous pouvez vous procurer des blocs de filtre de remplacement auprès des détaillants Black & Decker.

Remplacement du filtre du bac (fig. L - O)

- ◆ Procédez comme expliqué ci-dessus pour remplacer les filtres.

Changement du filtre du moteur (fig. L & P)

- ◆ Procédez comme expliqué ci-dessus pour remplacer le filtre.

VO1700A - Remplacement du filtre de sortie (fig. Q)

- ◆ Ouvrez le couvercle (38).
- ◆ Enlevez le filtre usagé (39).
- ◆ Insérez le filtre neuf comme indiqué.
- ◆ Fermez le couvercle.

VO1700/VO1710 - Changement du filtre HEPA (fig. Q)

Le filtre HEPA réduit à son minimum la quantité de poussière qui sort du compartiment du moteur.

- ◆ Procédez comme expliqué ci-dessus pour remplacer le filtre.

Protection de l'environnement



Collecte séparée. Ce produit ne doit pas être jeté avec les déchets domestiques normaux.

Si vous décidez de remplacer ce produit Black & Decker, ou si vous n'en avez plus l'utilité, ne le jetez pas avec vos déchets domestiques. Rendez-le disponible pour une collecte séparée.



La collecte séparée des produits et emballages usés permet le recyclage des articles afin de les utiliser à nouveau.

Le fait d'utiliser à nouveau des produits recyclés permet d'éviter la pollution environnementale et de réduire la demande de matières premières.

Les réglementations locales peuvent permettre la collecte séparée des produits électriques du foyer, dans des déchetteries municipales ou auprès du revendeur vous ayant vendu votre nouveau produit.

Black & Decker fournit un dispositif permettant de collecter et de recycler les produits Black & Decker lorsqu'ils ont atteint la fin de leur cycle de vie. Pour pouvoir profiter de ce service, veuillez retourner votre produit à un réparateur agréé qui se chargera de le collecter pour nous.

Pour connaître l'adresse du réparateur agréé le plus proche de chez vous, contactez le bureau Black & Decker à l'adresse indiquée dans ce manuel. Vous pourrez aussi trouver une liste des réparateurs agréés de Black & Decker et de plus amples détails sur notre service après-vente sur le site Internet à l'adresse suivante : www.2helpU.com

Caractéristiques techniques

	VO1700	VO1700A VO1710
Tension	V 230	230
Puissance absorbée	W 1.700	1.700
Longueur de câble	m 4,5	5
Volume du bac	l 2,5	2,5
Poids	kg 7	7

Déclaration de conformité CE

VO1700/VO1700A/VO1710

Black & Decker déclare que ces produits sont conformes à : 89/336/CEE, 73/23/CEE, EN 55014, EN 61000, EN 60335

Niveau de pression acoustique, mesuré suivant la norme EN 60704-1 : 71 dB(A)

Kevin Hewitt
Directeur Ingénierie Client
Spennymoor, County Durham DL16 6JG,
Royaume Uni
1-12-2006

Dessin pour brevet UE n° 351606-0001

Garantie

Black & Decker est confiant dans la qualité de ses produits et vous offre une garantie très étendue. Ce certificat de garantie est un document supplémentaire et ne peut en aucun cas se substituer à vos droits légaux. La garantie est valable sur tout le territoire des Etats Membres de l'Union Européenne et de la Zone de Libre Echange Européenne.

Si un produit Black & Decker s'avère défectueux en raison de matériaux en mauvaises conditions, d'une erreur humaine, ou d'un manque de conformité dans les 24 mois suivant la date d'achat, Black & Decker garantit le remplacement des pièces défectueuses, la réparation des produits usés ou cassés ou remplace ces produits à la convenance du client, sauf dans les circonstances suivantes :

- ◆ Le produit a été utilisé dans un but commercial, professionnel, ou a été loué.
- ◆ Le produit a été mal utilisé ou avec négligence.
- ◆ Le produit a subi des dommages à cause d'objets étrangers, de substances ou à cause d'accidents.
- ◆ Des réparations ont été tentées par des techniciens ne faisant pas partie du service technique de Black & Decker.

Pour avoir recours à la garantie, il est nécessaire de fournir une preuve d'achat au vendeur ou à un réparateur agréé.

Pour connaître l'adresse du réparateur agréé le plus proche de chez vous, contactez le bureau Black & Decker à l'adresse indiquée dans ce manuel. Vous pourrez aussi trouver une liste des réparateurs agréés de Black & Decker et de plus amples détails sur notre service après-vente sur le site Internet à l'adresse suivante : www.2helpU.com

Visitez notre site Web www.blackanddecker.fr pour enregistrer votre nouveau produit Black & Decker et être informé des nouveaux produits et des offres spéciales.

Pour plus d'informations concernant la marque Black & Decker et notre gamme de produits, consultez notre site www.blackanddecker.fr

Uso previsto

L'aspirapolvere Black & Decker consente di aspirare sostanze asciutte.

Questo prodotto è destinato esclusivamente all'uso domestico.

Precauzioni di sicurezza

- ◆ **Attenzione!** Quando si utilizzano elettrodomestici, per ridurre il rischio di incendio, scosse elettriche, infortuni alle persone e danni alle cose è necessario seguire sempre delle precauzioni di sicurezza basilari, incluso le seguenti.
- ◆ Prima di adoperare l'elettrodomestico, leggere attentamente le istruzioni fornite nel presente manuale.
- ◆ L'utilizzo previsto è quello descritto in questo manuale. L'uso di accessori o attrezzature diversi o l'uso di questo elettrodomestico per scopi diversi da quelli indicati nel presente manuale d'uso comportano il rischio di infortuni.
- ◆ Conservare questo manuale di istruzioni per successive consultazioni.

Uso dell'elettrodomestico

- ◆ Accertarsi che l'elettrodomestico sia spento prima di collegarlo o scollegarlo dall'alimentazione.
- ◆ Fare sempre attenzione durante l'utilizzo dell'elettrodomestico.
- ◆ Evitare di utilizzare l'elettrodomestico in ambienti esterni.
- ◆ Non tirare mai il cavo di alimentazione per disinserire la spina dalla presa. Mantenere il cavo lontano da fonti di calore, da olio e bordi taglienti.
- ◆ Se il cavo di alimentazione si danneggia durante l'uso, disinserire immediatamente la spina dell'elettrodomestico dalla presa di corrente. Non toccare il cavo di alimentazione se non dopo aver disinserito la spina dalla presa di corrente.
- ◆ Scollegare l'elettrodomestico dall'alimentazione quando non è in uso, prima di installare o rimuovere dei componenti e prima di pulirlo.

Sicurezza altrui

- ◆ Vietare l'uso dell'elettrodomestico ai bambini e agli adulti che non abbiano letto il presente manuale d'istruzioni.
- ◆ Vietare a bambini o ad animali di avvicinarsi all'area in cui si usa l'elettrodomestico, di toccare l'elettrodomestico o il cavo di alimentazione. E' necessaria un'attenta supervisione quando l'elettrodomestico viene utilizzato vicino a bambini.

Dopo l'uso

- ◆ Prima di lasciare incustodito l'elettrodomestico, e prima di cambiarne, pulirne o ispezionarne qualsiasi parte, spegnerlo ed estrarre la spina dalla presa.
- ◆ Quando non è in funzione, l'elettrodomestico deve essere conservato in un luogo asciutto. Inaccessibile ai bambini.

Ispezione e riparazioni

- ◆ Prima dell'uso, verificare che non vi siano componenti danneggiati o difettosi. Verificare anche che non vi siano parti rotte, che gli interruttori non siano danneggiati e che non vi sia nulla che comprometta il funzionamento.
- ◆ Non usare l'elettrodomestico se vi sono elementi danneggiati o difettosi.
- ◆ Eventuali elementi difettosi o danneggiati devono essere sostituiti o riparati da un tecnico autorizzato.
- ◆ Prima dell'uso, controllare che il cavo di alimentazione non presenti segni di danni, invecchiamento e usura.
- ◆ Non usare l'elettrodomestico se il cavo di alimentazione o la spina sono danneggiati o difettosi.
- ◆ Se il cavo di alimentazione o la spina sono danneggiati o difettosi devono essere riparati da un tecnico autorizzato, onde evitare situazioni pericolose. Non tagliare il cavo di alimentazione e non tentare di ripararlo personalmente.
- ◆ Non tentare mai di smontare o sostituire componenti diversi da quelli indicati nel presente manuale.

Sicurezza elettrica



Il doppio isolamento di cui è provvisto l'utensile rende superfluo il filo di terra. Controllare sempre che l'alimentazione corrisponda alla tensione indicata sulla targhetta delle caratteristiche.

- ◆ L'elettrooutensile non deve essere utilizzato da ragazzi o persone inabili senza la supervisione di un adulto. Controllare i bambini per evitare che giochino con l'elettrooutensile.
- ◆ Se il cavo elettrico in dotazione risulta danneggiato, deve essere sostituito dal produttore o da un Centro di assistenza autorizzato Black & Decker, onde evitare rischi.

Istruzioni di sicurezza supplementari per gli aspirapolvere

- ◆ Prima dell'uso, verificare sempre che i filtri siano correttamente posizionati. Non utilizzare l'elettrodomestico senza i filtri.
- ◆ Non trasportare l'elettrodomestico afferrandolo per la maniglia del contenitore.
- ◆ Non usare l'elettrodomestico per aspirare liquidi.
- ◆ Non usare l'elettrodomestico per aspirare materiali che potrebbero incendiarsi.
- ◆ Non utilizzare l'elettrodomestico in prossimità dell'acqua. Non immergere l'elettrodomestico in acqua.
- ◆ Mantenere il tiraggio del motore lontano dagli occhi e dal viso.
- ◆ Quando si usa l'elettrodomestico, bambini e animali devono restare a distanza di sicurezza.

- ◆ Quando si puliscono dei gradini, procedere sempre dal basso verso l'alto e tenere l'elettrodomestico almeno di un gradino al di sotto rispetto alla propria posizione.
- ◆ Verificare sempre la posizione del cavo di alimentazione e del flessibile durante l'uso dell'elettrodomestico.
- ◆ Non adoperare l'elettrodomestico se sul tubo non è montata la testa di aspirazione o un altro accessorio adatto.
- ◆ Dopo l'uso, riavvolgere completamente il cavo di alimentazione e riporre l'elettrodomestico in modo ordinato.
- ◆ Tenere capelli, vestiti e guanti lontani dalle parti in movimento.
- ◆ Non utilizzare accessori danneggiati.
- ◆ Usare esclusivamente accessori Black & Decker.

Funzioni in questo elettrodomestico sono presenti tutte le seguenti funzioni, o alcune di esse (fig. A).

1. Interruttore acceso/spento
2. Pulsante di riavvolgimento del cavo
3. Maniglia
4. Flessibile
5. Interruttore di regolazione del flusso di aria
6. Tubo
7. Testa di aspirazione
8. Contenitore
9. Ruote

Questo elettrodomestico, inoltre, viene fornito con in dotazione alcuni o tutti i seguenti accessori (fig. B):

10. Bocchetta a lancia
11. Spazzola
12. Supporto per accessori
13. Spazzola per parquet (VO1710)

La spazzola per parquet non è fornita con tutti i modelli.

Tale accessorio è disponibile presso il rivenditore / il centro di assistenza Black & Decker di zona.

Montaggio

Connessione del tubo flessibile (fig. C)

- ◆ Inserire il connettore del flessibile (15) nella bocca di entrata (14) dell'elettrodomestico.
- ◆ Premere il flessibile finché i pulsanti di sgancio (16) non scattano in posizione.
- ◆ Per staccare il flessibile, premere i pulsanti di sgancio e poi estrarlo.

VO1700/VO1700A - Montaggio del tubo (fig. D)

- ◆ Inserire con forza il tubo inferiore (17) nel tubo superiore (18) finché non si blocca.

Connessione del tubo (fig. E)

- ◆ Premere la bocchetta del flessibile (19) nel tubo (6).
- ◆ Per togliere il tubo, estrarre il flessibile dal tubo.

Montaggio della testa di aspirazione (fig. F)

La testa di aspirazione (7) consente di pulire i tappeti e le superfici dure (ad es. laminati e mattonelle).

- ◆ Spingere il tubo (6) nella testa (7).
- ◆ Per togliere la testa, estrarre il tubo dalla testa stessa.

VO1710 - Montaggio della spazzola per parquet (fig. F)

La spazzola per parquet (13) consente di pulire le superfici in legno e lucide.

- ◆ Spingere il tubo (6) nella testa (13).
- ◆ Per togliere la testa, estrarre il tubo dalla testa stessa.

Montaggio degli accessori (fig. F & G)

La bocchetta a fessura (10) permette di pulire i punti più stretti e inaccessibili. La spazzola (11) permette di pulire mobili, persiane, tende, finestre e scale. Gli accessori possono essere montati sia sul flessibile (4) che sul tubo (6). Quando non vengono utilizzati, gli accessori possono essere riposti nel porta-accessori (12).

- ◆ Estrarre gli accessori dal vano (fig. G).
- ◆ Premere l'accessorio sulla bocchetta del flessibile (19) o sul tubo (6) (fig. F).
- ◆ Per togliere l'accessorio, estrarlo dalla bocchetta del flessibile o dal tubo.

Uso

Svolgimento e riavvolgimento del cavo di alimentazione (fig. A)

Il pulsante di riavvolgimento del cavo (2) può essere azionato con la mano o il piede.

- ◆ Estrarre il cavo dal retro dell'elettrodomestico fino a ottenere una lunghezza soddisfacente.
- ◆ Dopo l'uso, premere il pulsante di riavvolgimento per riporre il cavo nel suo alloggiamento. Guidare il cavo con la mano per evitare che oscilli. Controllare che la spina sia nella posizione corretta.

VO1710 - Regolazione della lunghezza del tubo (fig. H)

Il tubo di prolunga (6) può essere regolato come segue:

- ◆ Premere la manopola di regolazione (20) e far scivolare il tubo alla lunghezza desiderata.
- ◆ Rilasciare la manopola.

Regolazione della testa di aspirazione (fig. F)

- ◆ Per pulire i tappeti, portare l'attuatore della spazzola (21) in posizione alta.
- ◆ Per pulire laminati, mattonelle ecc., mettere l'attuatore della spazzola in posizione bassa.

Avviamento e spegnimento (fig. A)

L'interruttore on / off (1) può essere azionato con la mano o il piede.

- ◆ Per accendere l'elettrodomestico, premere l'interruttore on / off (1).
- ◆ Per spegnere l'elettrodomestico, premere di nuovo l'interruttore on / off.

Regolazione del flusso d'aria (fig. I)

Spostare la manopola di regolazione del flusso d'aria (5) fino a ottenere il flusso desiderato.

Aspirazione della polvere

- ◆ Quando si adopera l'elettrodomestico, controllare che il flessibile non sia intrappolato, piegato o bloccato.
- ◆ In caso di surriscaldamento, l'elettrodomestico si ferma automaticamente.
- ◆ Se l'elettrodomestico interrompe il funzionamento, scollegarlo dalla presa elettrica e farlo raffreddare per 2-3 ore prima di continuare.

Consigli per un'ottima utilizzazione

- ◆ Quando si puliscono le scale, procedere sempre dal basso verso l'alto. Mettere l'elettrodomestico sul pavimento e pulire metà della scala. Poi collocare l'aspirapolvere in un punto stabile che sia di almeno un gradino al di sotto della propria posizione e pulire l'altra metà della scala.

Trasporto dell'elettrodomestico (fig. A)

Durante l'uso, l'aspirapolvere può essere trasportato afferrandolo per la maniglia (3).

Esclusione temporanea della testa di aspirazione (fig. J)

- ◆ Usare la posizione di esclusione (22) per escludere temporaneamente la testa di aspirazione.

Conservazione dell'elettrodomestico (fig. K)

Attenzione! Per riporre l'elettrodomestico, spegnerlo e disinserire la spina.

- ◆ Accertare che il cavo sia completamente riavvolto.
- ◆ Mettere l'elettrodomestico in posizione verticale.
- ◆ Mettere il tubo nella posizione di stoccaggio (28).
- ◆ Riporre l'elettrodomestico in un luogo asciutto.

Manutenzione

Questo elettrodomestico Black & Decker è stato progettato per funzionare a lungo con un minimo di manutenzione. Per ottenere prestazioni sempre soddisfacenti occorre avere cura dell'elettrodomestico e sottoporlo a pulizia e manutenzione periodica.

Attenzione! Prima di eseguire qualsiasi intervento di manutenzione o pulizia, estrarre la spina dalla presa.

- ◆ Le prese di ventilazione dell'elettrodomestico devono essere pulite regolarmente con un pennello morbido o un panno asciutto.
- ◆ Il vano del motore deve essere pulito regolarmente con un panno umido. Non usare materiali abrasivi o detergenti a base di solventi.

Svuotamento del contenitore (fig. L & M)

Il contenitore (8) deve essere svuotato quando viene raggiunto l'indicatore di massimo livello.

- ◆ Rimuovere il flessibile.
- ◆ Premere il pulsante di sgancio (30).
- ◆ Sollevare il coperchio (31) finché non si blocca in posizione (fig. L).
- ◆ Prendere il contenitore per l'impugnatura (29). Estrarre il contenitore (8) dall'elettrodomestico.
- ◆ Collocarlo sopra un bidone per rifiuti.
- ◆ Premere il pulsante di sgancio (32) per aprire il contenitore (fig. M). Svuotare il contenitore come necessario.
- ◆ Chiudere la base (33) spostandola verso l'alto finché il blocco non entra nel fermo.
- ◆ Reinserrire il contenitore nell'elettrodomestico.
- ◆ Chiudere il coperchio finché non si blocca in posizione.

Pulire

Attenzione! Prima di eseguire qualsiasi procedura di pulizia o manutenzione, spegnere l'elettrodomestico e disinserire la spina dalla presa.

- ◆ Pulire di tanto in tanto l'elettrodomestico con un panno umido. Non usare materiali abrasivi o detergenti a base di solventi. Non immergere l'elettrodomestico in acqua.

Pulizia del filtro del contenitore (fig. L - O)

Il filtro del contenitore impedisce a polvere e sporcizia di penetrare nel vano del motore. Il filtro è riutilizzabile. Per mantenere efficienti le prestazioni di aspirazione, il filtro dovrebbe essere pulito ogni settimana o ogni volta che la capacità di aspirazione si riduce notevolmente. L'apparecchio è dotato di una valvola di bypass. Quando il filtro è intasato, è possibile sentire l'entrata in funzione della valvola. Ciò è normale e non indica alcun problema. Spegnerlo l'apparecchio e disinserire la spina dalla presa prima di pulire i filtri.

- ◆ Togliere il contenitore (8) dall'elettrodomestico (fig. L).
- ◆ Svuotamento del contenitore (fig. M).
- ◆ Rimuovere la cartuccia (34) ruotandola in senso antiorario (fig. N).
- ◆ Allentare il filtro (35) ed estrarlo dal contenitore.
- ◆ Eliminare la polvere in eccesso battendo il filtro contro le pareti di una pattumiera.

Attenzione! Per pulire il filtro non usare spazzole né aria compressa.

- ◆ Se necessario, sciacquare con acqua l'esterno del filtro. Prima di reinserirlo, lasciarlo asciugare per 24 ore.

Attenzione! Non lavare l'interno del filtro.

- ◆ Estrarre il gruppo dei filtri (36) posto immediatamente sotto la griglia e spazzolarlo per eliminare eventuale polvere prima di reinserirlo (fig. O).
- ◆ Reinstallare il filtro del contenitore e serrarlo.
- ◆ Rimontare la cartuccia.
- ◆ Dopo aver rimontato il filtro, chiudere il contenitore.
- ◆ Reinserire il contenitore nell'elettrodomestico.

Pulizia del filtro del motore (fig. L & P)

Il filtro del motore impedisce a particelle e oggetti più grandi di penetrare nel vano del motore quando si rimuove il contenitore. Il filtro è riutilizzabile e deve essere pulito regolarmente.

- ◆ Aprire il coperchio (31) (fig. L).
- ◆ Estrarre il filtro (37) (fig. P).
- ◆ Spazzolare via eventuali granelli di polvere rimasti sul filtro.
- ◆ Reinstallare il filtro.
- ◆ Chiudere il coperchio.

Sostituzione dei filtri (fig. L - Q)

Il filtro del contenitore deve essere sostituito ogni 6 - 9 mesi e ogniqualvolta risulti usurato o danneggiato. In questo caso, è necessario sostituire anche il filtro del motore e i filtri dell'uscita. I set di filtri di ricambio sono disponibili presso il concessionario Black & Decker.

Sostituzione del filtro del contenitore (fig. L - O)

- ◆ Per sostituire i filtri, procedere come descritto sopra.

Sostituzione del filtro del motore (fig. L & P)

- ◆ Per sostituire il filtro, procedere come descritto sopra.

VO1700A - Sostituzione del filtro dell'uscita (fig. Q)

- ◆ Aprire il coperchio (38).
- ◆ Rimuovere il filtro usato (39).
- ◆ Installare il nuovo filtro come illustrato.
- ◆ Chiudere il coperchio.

VO1700/VO1710 - Sostituzione del filtro HEPA (fig. Q)

Il filtro HEPA riduce al minimo la quantità di polvere che fuoriesce dal vano motore.

- ◆ Per sostituire il filtro, procedere come descritto sopra.

Protezione dell'ambiente



Raccolta differenziata. Questo prodotto non deve essere smaltito con i normali rifiuti domestici.

Nel caso in cui si decida di sostituire l'apparecchio oppure di disfarsene in quanto non più necessario, non dovrà essere smaltito con i normali rifiuti domestici. Smaltire il prodotto tramite raccolta differenziata.



La raccolta differenziata di prodotti e imballaggi usati, consente il riciclaggio e il riutilizzo dei materiali. Riutilizzare i materiali riciclati aiuta a prevenire l'inquinamento ambientale e riduce la richiesta di materie prime.

In base alle normative locali, i servizi per la raccolta differenziata di elettrodomestici possono essere disponibili presso i punti di raccolta municipali o presso il rivenditore, al momento dell'acquisto di un nuovo prodotto.

Black & Decker offre ai suoi clienti un servizio per la raccolta differenziata e la possibilità di riciclare i prodotti Black & Decker che hanno esaurito la loro durata in servizio. Per usufruire del servizio, è sufficiente restituire il prodotto a qualsiasi tecnico autorizzato, incaricato della raccolta per conto dell'azienda.

Per individuare il tecnico autorizzato più vicino, rivolgersi alla sede Black & Decker locale, presso il recapito indicato nel presente manuale. Altrimenti un elenco completo di tutti i tecnici autorizzati Black & Decker e i dettagli completi sui contatti e i servizi post-vendita sono disponibili sul sito Internet: www.2helpU.com

Dati tecnici

	VO1700	VO1700A VO1710
Tensione	V 230	230
Potenza assorbita	W 1.700	1.700
Lunghezza del cavo	m 4,5	5
Dimensione del contenitore	l 2,5	2,5
Peso	kg 7	7

Dichiarazione europea di conformità del macchinario

VO1700/VO1700A/VO1710

Black & Decker dichiara che i presenti prodotti sono conformi a:
89/336/CEE, 73/23/CEE, EN 55014, EN 61000, EN 60335

Livello di rumorosità, dati conformi alla norma
EN 60704-1: 71 dB(A)



Kevin Hewitt
Direttore tecnico prodotti di consumo
Spennymoor, County Durham DL16 6JG,
Regno Unito
1-12-2006

I clienti che desiderano registrare il nuovo prodotto Black & Decker e ricevere gli aggiornamenti sui nuovi prodotti e le offerte speciali, sono invitati a visitare il sito Web (www.blackanddecker.it). Ulteriori informazioni sul marchio e la gamma di prodotti Black & Decker sono disponibili all'indirizzo www.blackanddecker.it

N. di registrazione del modello depositato nella Comunità
Europea 351606-0001

Garanzia

Certa della qualità dei suoi prodotti, Black & Decker offre una garanzia eccezionale. Il presente certificato di garanzia è complementare ai diritti statutari e non li pregiudica in alcun modo. La garanzia è valida entro il territorio degli Stati membri dell'Unione Europea e dell'EFTA (European Free Trade Area).

Se un prodotto Black & Decker risulta difettoso per qualità del materiale, della costruzione o per mancata conformità entro 24 mesi dalla data di acquisto, Black & Decker garantisce la sostituzione delle parti difettose, provvede alla riparazione dei prodotti se ragionevolmente usurati oppure alla loro sostituzione, in modo da ridurre al minimo il disagio del cliente a meno che:

- ◆ Il prodotto non sia stato destinato ad usi commerciali, professionali o al noleggio;
- ◆ Il prodotto non sia stato usato in modo improprio o scorretto;
- ◆ Il prodotto non abbia subito danni causati da oggetti o sostanze estranee oppure incidenti;
- ◆ Il prodotto non abbia subito tentativi di riparazione non effettuati da tecnici autorizzati né dall'assistenza Black & Decker.

Per attivare la garanzia è necessario esibire la prova comprovante l'acquisto al venditore o al tecnico autorizzato. Per individuare il tecnico autorizzato più vicino, rivolgersi alla sede Black & Decker locale, presso il recapito indicato nel presente manuale. Altrimenti un elenco completo di tutti i tecnici autorizzati Black & Decker e i dettagli completi sui contatti e i servizi post-vendita sono disponibili su Internet presso: www.2helpU.com

Gebruik volgens bestemming

Uw Black & Decker stofzuiger is bedoeld voor het opzuigen van vaste stoffen.

Dit product is uitsluitend bedoeld voor huishoudelijk gebruik.

Veiligheidsvoorschriften

- ◆ **Waarschuwing!** Bij het gebruik van elektrische apparaten dienen ter bescherming tegen brandgevaar, elektrische schok, letsel en materiële schade altijd gepaste veiligheidsmaatregelen in acht te worden genomen, waaronder de volgende veiligheidsvoorschriften.
- ◆ Lees de gehele gebruiksaanwijzing aandachtig door voordat u het apparaat gaat gebruiken.
- ◆ Het bedoelde gebruik wordt in deze handleiding beschreven. Gebruik ter voorkoming van lichamelijk letsel uitsluitend de in deze gebruiksaanwijzing aanbevolen accessoires en hulpstukken. Gebruik het apparaat uitsluitend waarvoor het bedoeld is.
- ◆ Bewaar deze instructies zorgvuldig!

Gebruik van het apparaat

- ◆ Zorg ervoor dat het apparaat uitgeschakeld is voordat u de stroom in- of uitschakelt.
- ◆ Kijk altijd goed uit wanneer u het apparaat gebruikt.
- ◆ Gebruik het apparaat niet buiten.
- ◆ Trek de stekker niet aan het elektriciteits snoer uit het stopcontact. Houd het elektriciteits snoer uit de buurt van warmtebronnen, olie en scherpe randen.
- ◆ Als het elektriciteits snoer tijdens gebruik beschadigd raakt, schakel dan onmiddellijk de stroomtoevoer naar het apparaat uit. Raak het elektriciteits snoer niet aan voordat u de stekker uit het stopcontact heeft gehaald.
- ◆ Haal altijd de stekker van het apparaat uit het stopcontact wanneer u het niet gebruikt of voordat u onderdelen gaat verwisselen of het apparaat gaat reinigen.

Veiligheid van anderen

- ◆ Verbied kinderen en personen die niet van de inhoud van deze handleiding op de hoogte zijn het gebruik van dit apparaat.
- ◆ Houd kinderen en dieren buiten het werkgebied en laat ze dit apparaat of het elektriciteits snoer niet aanraken. Als u met het apparaat in de buurt van kinderen komt, dient er goed op hen gelet te worden.

Na gebruik

- ◆ Schakel het apparaat uit en haal de stekker uit het stopcontact voordat u het apparaat zonder toezicht achterlaat of enig onderdeel van het apparaat gaat verwisselen, reinigen of controleren.
- ◆ Indien niet in gebruik moet de machine op een droge plaats worden opgeborgen.

Kinderen mogen geen toegang hebben tot opgeborgen machines.

Inspectie en reparatie

- ◆ Controleer de machine voor gebruik op beschadigde of defecte onderdelen. Controleer op kapotte onderdelen, beschadigingen aan schakelaars en enige andere zaken die de werking nadelig kunnen beïnvloeden.
- ◆ Gebruik de machine niet als enig onderdeel beschadigd of defect is.
- ◆ Defecte onderdelen dienen door een erkend servicecentrum te worden gerepareerd of vervangen.
- ◆ Controleer voor gebruik het elektriciteits snoer op beschadiging, veroudering en slijtage.
- ◆ Gebruik het apparaat niet als het elektriciteits snoer of de stekker beschadigd of defect is.
- ◆ Als het elektriciteits snoer of de stekker beschadigd of defect is, moet het, om gevaarlijke situaties te voorkomen, door een erkende servicetechnicus vervangen worden. Snijd nooit in het elektriciteits snoer en probeer dit niet zelf te repareren.
- ◆ Probeer nooit om enig onderdeel anders dan in deze handleiding beschreven te verwijderen of te vervangen.

Elektrische veiligheid



Deze machine is dubbel geïsoleerd; een aardaansluiting is daarom niet noodzakelijk. Controleer altijd of uw netspanning overeenkomt met de waarde op het typeplaatje.

- ◆ Dit apparaat is niet bedoeld voor gebruik door jonge of lichamelijk zwakke personen zonder toezicht. Houd toezicht op kinderen om ervoor te zorgen dat zij niet met het apparaat gaan spelen.
- ◆ Indien het netsnoer is beschadigd, dient het ter voorkoming van gevaren te worden vervangen door de fabrikant of een erkend servicecentrum.

Aanvullende veiligheidsinstructies voor stofzuigers

- ◆ Zorg er voor gebruik altijd voor dat de filters op de juiste manier zijn aangebracht. Gebruik het apparaat niet zonder alle filters.
- ◆ Draag het apparaat niet aan de containergreep.
- ◆ Gebruik het apparaat niet om vloeistoffen op te zuigen.
- ◆ Gebruik het apparaat niet om brandbare materialen op te zuigen.
- ◆ Gebruik het apparaat niet in de buurt van water. Dompel het apparaat niet in water onder.
- ◆ Zorg dat de luchtstroom van de motor niet in uw ogen en gezicht blaast.
- ◆ Houd kinderen en dieren op een veilige afstand als u het apparaat gebruikt.

- ◆ Werk altijd van onderen af omhoog wanneer u het apparaat op trappen gebruikt, en plaats het apparaat tenminste een trede onder uw werkpositie.
- ◆ Zorg ervoor dat u altijd weet waar het elektriciteitsnoer en de slang zich bevinden terwijl u het apparaat gebruikt.
- ◆ Gebruik het apparaat niet zonder dat de zuigmond of een ander geschikt accessoire aan de buis is gemonteerd.
- ◆ Wind het elektriciteitsnoer na gebruik volledig op en berg het apparaat op een nette manier op.
- ◆ Houd haren, kleding en handschoenen uit de buurt van bewegende delen.
- ◆ Gebruik geen beschadigde accessoires.
- ◆ Gebruik uitsluitend accessoires van Black & Decker.

Onderdelen

Al naar gelang de uitvoering beschikt dit apparaat over de volgende onderdelen (fig. A).

1. Aan/uit-schakelaar
2. Snoeropwindknop
3. Handgreep
4. Slang
5. Luchtstroomregelschakelaar
6. Buis
7. Zuigmond
8. Container
9. Wielen

Daarbij wordt dit apparaat geleverd met enkele of alle van de volgende accessoires (fig. B):

10. Spleetzuigmondstuk
11. Borstelzuigmondstuk
12. Accessoirehouder
13. Parketvloerzuigmond (VO1710)

De parketvloerzuigmond wordt niet meegeleverd met alle modellen. Dit accessoire is verkrijgbaar bij uw Black & Decker-dealer/servicecentrum.

Assemblage

Bevestigen van de slang (fig. C)

- ◆ Steek de connector van de slang (15) in de inlaat (14) van het apparaat.
- ◆ Duw de slang totdat de ontgrendelingsknoppen (16) op hun plaats klikken.
- ◆ Om de slang te verwijderen, drukt u de ontgrendelingsknoppen in en trekt u de slang eruit.

VO1700/VO1700A - Monteren van de buis (fig. D)

- ◆ Duw de onderste buis (17) stevig in de bovenste buis (18), totdat hij vastklemt.

Bevestigen van de buis (fig. E)

- ◆ Duw het mondstuk (19) in de buis (6).
- ◆ Om de buis te verwijderen, duwt u de buis uit de slang.

Monteren van de zuigmond (fig. F)

De zuigmond (7) is geschikt voor stofzuigen op tapijt en harde oppervlakken (bijv. laminaat en tegels).

- ◆ Duw de buis (6) in de zuigmond (7).
- ◆ Om de zuigmond te verwijderen, duwt u de buis uit de zuigmond.

VO1710 - Monteren van de parketvloerzuigmond (fig. F)

De parketvloerzuigmond (13) is geschikt voor stofzuigen op houten en gepolijste oppervlakken.

- ◆ Duw de buis (6) in de zuigmond (13).
- ◆ Om de zuigmond te verwijderen, duwt u de buis uit de zuigmond.

Monteren van accessoires (fig. F & G)

De spleetzuigmond (10) is geschikt voor stofzuigen in nauwe en moeilijk bereikbare ruimtes. De borstelzuigmond (11) is geschikt voor stofzuigen van meubels, jalozieën, gordijnen, ramen en trappen. De accessoires kunnen zowel op de slang (4) als de buis (6) worden gemonteerd. Indien niet in gebruik, dan kunnen de accessoires worden opgeborgen in de accessoirehouder (12).

- ◆ Verwijder het accessoire van de houder (fig. G).
- ◆ Duw de accessoire in de mondstuk (19) of in de buis (6) (fig. F).
- ◆ Om een accessoire te verwijderen, trekt u de accessoire uit het mondstuk of uit de buis.

Gebruik

Afrollen en opwinden van het elektriciteitsnoer (fig. A)

De snoeropwindknop (2) kan met de hand of de voet worden bediend.

- ◆ Trek voldoende lengte snoer uit de achterkant van het apparaat.
- ◆ Druk na gebruik de snoeropwindknop in om het snoer in de eenheid terug te trekken. Geleid het snoer met de hand om ervoor te zorgen dat het niet terugslingert. Zorg ervoor dat de stekker op de juiste manier is aangebracht.

VO1710 - Instellen van de buislengte (fig. H)

De verlengbuis (6) kan als volgt worden ingesteld:

- ◆ Duw de knop (20) in en schuif de buis naar de gewenste lengte.
- ◆ Laat de knop los.

Instellen van de zuigmond (fig. F)

- ◆ Voor stofzuigen op tapijten, zet u de oppervlakschakelaar (21) omhoog.
- ◆ Voor stofzuigen op laminaat, tegels, etc., zet u de oppervlakschakelaar omlaag.

Aan- en uitschakelen (fig. A)

De aan/uit-schakelaar (1) kan met de hand of de voet worden bediend.

- ◆ Om het apparaat in te schakelen, drukt u de aan/uit-schakelaar (1) in.
- ◆ Om het apparaat uit te schakelen, drukt u nogmaals de aan/uit-schakelaar (1) in.

Instellen van de luchtstroom (fig. I)

Beweeg de luchtstroomregelschakelaar (5) om de luchtstroom naar wens in te stellen.

Stofzuigen

- ◆ Zorg er tijdens gebruik voor dat de slang niet geklemd, gedraaid of geblokkeerd raakt.
- ◆ In geval van oververhitting zal een onderbreker in werking treden en het apparaat automatisch uitschakelen.
- ◆ Indien het apparaat niet meer functioneert, trekt u de stekker uit het stopcontact en laat het apparaat 2-3 uur afkoelen voordat u verdergaat.

Tips voor optimaal gebruik

- ◆ Bij het stofzuigen van trappen, begint u altijd onderaan en werkt u naar boven toe. Plaats het apparaat op de vloer en doe de treden tot halvenwege de trap. Verplaats het apparaat vervolgens naar een stabiele positie die zich tenminste een trede onder uw werkpositie bevindt, en doe de bovenste helft van de trap.

Verplaatsen van het apparaat (fig. A)

Tijdens gebruik kan het apparaat worden verplaatst met behulp van de handgreep (3).

Tijdelijk parkeren van de zuigmond (fig. J)

- ◆ Gebruik de parkeerpositie (22) voor het tijdelijk parkeren van de zuigmond.

Opbergen van het apparaat (fig. K)

Waarschuwing! Schakel het apparaat uit en haal de stekker uit het stopcontact wanneer u het apparaat opbergt.

- ◆ Controleer of de stekker volledig opgerold is.
- ◆ Plaats het apparaat in rechtopstaande positie.
- ◆ Stop de buis in de parkeerpositie (28).
- ◆ Berg het apparaat op een droge plaats op.

Onderhoud

Uw Black & Decker-apparaat is ontworpen om gedurende langere periode te functioneren met een minimum aan onderhoud. Voortdurend tevreden gebruik is afhankelijk van correct onderhoud en regelmatig schoonmaken.

Waarschuwing! Zet vóór aanvang van onderhouds- of schoonmaakwerkzaamheden het apparaat uit en haal de stekker uit het stopcontact.

- ◆ Reinig regelmatig de ventilatieopeningen in uw apparaat met een zachte borstel of een droge doek.
- ◆ Reinig regelmatig de behuizing van de motor met een vochtige doek. Gebruik geen schuur- of oplosmiddel.

Ledigen van de container (fig. L & M)

De container (8) moet geleegd worden als de maximummarkering is bereikt.

- ◆ Verwijder de slang.
- ◆ Druk op de ontgrendelknop (30).
- ◆ Til de klep (31) omhoog totdat deze op zijn plaats vastklikt (fig. L).
- ◆ Houd het container vast aan de handgreep (29). Neem de container (8) uit het apparaat.
- ◆ Houd de container boven een vuilnisbak.
- ◆ Druk het ontgrendelingsknop (32) in van de container (fig. M). Ledig de container zoals nodig.
- ◆ Sluit de basis (33) door hem opwaarts te bewegen totdat de vergrendeling vastklikt.
- ◆ Plaats de container weer in het apparaat.
- ◆ Sluit de klep totdat hij op zijn plaats vastklikt.

Reinigen

Waarschuwing! Zorg vóór aanvang van reinigings- of onderhoudswerkzaamheden dat het apparaat uitgeschakeld is en dat de stekker niet in het stopcontact zit.

- ◆ Neem het apparaat van tijd tot tijd af met een vochtige doek. Gebruik geen schuur- of oplosmiddel. Dompel het apparaat niet in water onder.

Reinigen van het containerfilter (fig. L - O)

Het containerfilter voorkomt dat stof en vuil het motorhuis binnendringt. Het filter is geschikt voor hergebruik. Om een efficiënte zuigprestatie te behouden, dient het filter wekelijks te worden gereinigd, of wanneer de zuigprestatie merkbaar vermindert. Het apparaat is uitgerust met een omloopventiel. Als het filter verstopt is, is de werking van het ventiel hoorbaar. Dit is normaal en duidt niet op problemen. Schakel het apparaat uit en neem de stekker uit het stopcontact, voordat u de filters reinigt.

- ◆ Verwijder de container (8) uit het apparaat (fig. L).
- ◆ Ledig de container (fig. M)
- ◆ Verwijder de cassette (34) door hem linksom te draaien (fig. N).

- ◆ Draai het filter (35) los en verwijder hem van de container.
- ◆ Verwijder overtollig stof door het filter in een afvalbak uit te kloppen.

Waarschuwing! Gebruik geen borstel of perslucht om het filter te reinigen.

- ◆ Spoel de buitenkant van het filter, afhankelijk van de staat van het filter, onder lauw stromend water af. Laat het filter 24 uur drogen voordat u het weer aanbrengt.

Waarschuwing! Was de binnenkant van het filter niet.

- ◆ Neem de filtereenheid (36) uit die zich rechtsonder het rooster bevindt en borstel het losse stof af voordat deze wordt teruggeplaatst (fig. O).
- ◆ Vervang het containerfilter en draai het vast.
- ◆ Breng de cassette weer aan.
- ◆ Sluit de container na het vervangen van het filter.
- ◆ Plaats de container weer in het apparaat.

Reinigen van het motorfilter (fig. L & P)

Het motorfilter voorkomt dat deeltjes en grotere voorwerpen het motorhuis binnendringen als de container is verwijderd. Het filter is geschikt voor hergebruik en moet regelmatig worden gereinigd.

- ◆ Open de klep (31) (fig. L).
- ◆ Neem het filter (37) uit (fig. P).
- ◆ Borstel het losse stof van het filter.
- ◆ Plaats het filter terug.
- ◆ Sluit de klep.

Vervangen van de filters (fig. L - Q)

Het containerfilter moet iedere 6 tot 9 maanden worden vervangen, alsook wanneer het versleten of beschadigd is. Wanneer het containerfilter wordt vervangen, dienen de motorfilter en uitlaatfilters eveneens te worden vervangen. Vervangende filtersets zijn verkrijgbaar bij uw Black & Deckerdealer.

Vervangen van het containerfilter (fig. L - O)

- ◆ Ga verder te werk zoals hierboven beschreven om de filters te vervangen.

Vervangen van het motorfilter (fig. L & P)

- ◆ Ga verder te werk zoals hierboven beschreven om het filter te vervangen.

VO1700A - Vervangen van het uitlaatfilter (fig. Q)

- ◆ Open het deksel (38).
- ◆ Verwijder het oude filter (39).
- ◆ Plaats het nieuwe filter zoals afgebeeld.
- ◆ Sluit het deksel.

VO1700/VO1710 - Vervangen van het HEPA-filter (fig. Q)

Het HEPA-filter minimaliseert de hoeveelheid stof die het motorhuis verlaat.

- ◆ Ga verder te werk zoals hierboven beschreven om het filter te vervangen.

Milieu



Gescheiden inzameling. Dit product mag niet met het gewone huishoudelijke afval worden weggegooid.

Wanneer uw oude Black & Deckerproduct aan vervanging toe is of het u niet langer van dienst kan zijn, gooi het dan niet bij het huishoudelijk afval. Zorg ervoor dat het product gescheiden kan worden ingezameld.



Door gebruikte producten en verpakkingen gescheiden in te zamelen, worden de materialen gerecycled en opnieuw gebruikt. Hergebruik van gerecyclede materialen voorkomt milieuvuiling en vermindert de vraag naar grondstoffen.

Inzamelpunten voor gescheiden inzameling van elektrische huishoudproducten bij gemeentelijke vuilnisbergen of bij de verkoper waar u een nieuw product koopt, kunnen aan plaatselijke voorschriften gebonden zijn.

Black & Decker biedt de mogelijkheid tot inzamelen en recyclen van afgedankte Black & Decker producten. Om gebruik van deze service te maken, dient u het product aan een van onze servicecentra te sturen, die voor ons de inzameling verzorgen.

U kunt het adres van het dichtstbijzijnde servicecentrum opvragen via de adressen op de achterzijde van deze handleiding. U kunt ook een lijst van onze servicecentra en meer informatie m.b.t. onze klantenservice vinden op het volgende Internet-adres: www.2helpU.com

Technische gegevens

	VO1700	VO1700A VO1710
Spanning	V 230	230
Opgenomen vermogen	W 1.700	1.700
Lengte electriciteitsnoer	m 4,5	5
Inhoud container	l 2,5	2,5
Gewicht	kg 7	7

EG-conformiteitsverklaring

VO1700/VO1700A/VO1710

Black & Decker verklaart dat deze producten in
overeenstemming zijn met:

89/336/EEG, 73/23/EEG, EN 55014, EN 61000, EN 60335

Niveau van de geluidsdruk, gemeten volgens
EN 60704-1: 71 dB(A)



Kevin Hewitt
Director of Consumer Engineering
Spennymoor, County Durham DL16 6JG,
Verenigd Koninkrijk
1-12-2006

Ontwerpregistratienr voor Europese Gemeenschap:
351606-0001

Garantie

Black & Decker heeft vertrouwen in zijn producten en biedt een uitstekende garantie. Deze garantiebepalingen vormen een aanvulling op uw wettelijke rechten en beperken deze niet. De garantie geldt in de lidstaten van de Europese Unie en de Europese Vrijhandelsassociatie.

Mocht uw Black & Decker product binnen 24 maanden na datum van aankoop defect raken tengevolge van materiaal- of constructiefouten, dan garanderen wij de kosteloze vervanging van defecte onderdelen, de reparatie van het product of de vervanging van het product, tenzij:

- ◆ Het product is gebruikt voor handelsdoeleinden, professionele toepassingen of verhuurdoeleinden;
- ◆ Het product onoordeelkundig is gebruikt;
- ◆ Het product is beschadigd door invloeden van buitenaf of door een ongeval;
- ◆ Reparaties zijn uitgevoerd door anderen dan onze servicecentra of Black & Decker personeel.

Om een beroep op de garantie te doen, dient u een aankoopbewijs te overhandigen aan de verkoper of een van onze servicecentra. U kunt het adres van het dichtstbijzijnde servicecentrum opvragen via de adressen op de achterzijde van deze handleiding. U kunt ook een lijst van onze servicecentra en meer informatie m.b.t. onze klantenservice vinden op het volgende Internet-adres: **www.2helpU.com**

Meld u aan op onze website **www.blackanddecker.nl** om te worden geïnformeerd over nieuwe producten en speciale aanbiedingen. Verdere informatie over het merk Black & Decker en onze producten vindt u op **www.blackanddecker.nl**

Finalidad

El aspirador Black & Decker ha sido diseñado para aspirar sustancias secas.

Este producto está pensado únicamente para consumo doméstico.

Instrucciones de seguridad

- ◆ **¡Atención!** Cuando use aparatos eléctricos, debe seguir siempre las precauciones de seguridad básicas, incluidas las siguientes, a fin de reducir el riesgo de incendios, electrocución, lesiones personales y daños materiales.
- ◆ Lea completamente este manual antes de utilizar el aparato.
- ◆ En este manual se explica el uso previsto para este aparato. El uso de otros accesorios o adaptadores, o la propia utilización de este aparato en cualquier forma diferente de las recomendadas en este manual de instrucciones, puede constituir un riesgo de lesiones a las personas.
- ◆ Conserve este manual a mano para consultas posteriores.

Utilización del aparato

- ◆ Asegúrese de que el aparato esté apagado antes de conectarlo o desconectarlo del suministro eléctrico.
- ◆ Tenga siempre cuidado cuando utilice este aparato.
- ◆ No utilice este aparato en el exterior.
- ◆ Nunca tire del cable eléctrico para desconectarlo del enchufe. Mantenga el cable eléctrico alejado del calor, el aceite y los bordes afilados.
- ◆ Si el cable eléctrico se dañara durante el uso, desconecte inmediatamente el aparato del suministro eléctrico. No toque el cable eléctrico antes de desconectar el aparato del suministro eléctrico.
- ◆ Desenchufe el aparato del suministro eléctrico si no lo está utilizando, antes de montar o desmontar piezas y antes de limpiarlo.

Seguridad de otras personas

- ◆ No deje que el aparato sea utilizado por niños o por personas que no estén familiarizadas con estas instrucciones de uso.
- ◆ No permita que niños, otras personas o animales se acerquen al área de trabajo ni toquen el aparato o el cable eléctrico. Es necesario estar muy atento cuando se utiliza el aparato cerca de niños.

Cuando acabe de utilizar el aparato

- ◆ Apague el aparato y desenchúfelo de la toma de red si va a dejarlo desatendido y antes de cambiar, limpiar o inspeccionar alguna pieza del aparato.

- ◆ Cuando no se use, el aparato debe guardarse en un lugar seco. Los niños no deben tener acceso a los aparatos guardados.

Inspección y reparaciones

- ◆ Antes de utilizarlo, revise el aparato para ver si está dañado o tiene piezas defectuosas. Compruebe si hay alguna pieza rota, algún interruptor dañado o cualquier cosa que pudiera afectar a su funcionamiento.
- ◆ No utilice el aparato si hay alguna pieza dañada o defectuosa.
- ◆ Encargue al servicio técnico autorizado que repare o sustituya las piezas defectuosas o averiadas.
- ◆ Antes de utilizar el aparato, compruebe que el cable eléctrico no presente señales de daños, envejecimiento o desgaste.
- ◆ No utilice el aparato si el cable eléctrico o el enchufe estuvieran dañados o defectuosos.
- ◆ Si el cable eléctrico o el enchufe estuvieran estropeados o defectuosos, hay que sustituirlos en un servicio técnico autorizado con el fin de evitar cualquier peligro. No corte el cable eléctrico y no trate de repararlo usted mismo.
- ◆ No intente nunca extraer o sustituir ninguna de las piezas que no sean las especificadas en este manual.

Seguridad eléctrica



La herramienta lleva un doble aislamiento; por lo tanto no requiere una toma a tierra. Compruebe siempre que la tensión de la red corresponda con el valor indicado en la placa de datos de la herramienta.

- ◆ Este aparato no ha sido concebido para ser utilizado por jóvenes ni personas discapacitadas sin supervisión. Debe vigilarse a los niños para asegurarse de que no jueguen con el aparato.
- ◆ Si el cable eléctrico está estropeado, debe ser sustituido por el fabricante o un servicio técnico autorizado de Black & Decker con el fin de evitar accidentes.

Instrucciones de seguridad adicionales para aspiradores

- ◆ Antes del uso, asegúrese de que los filtros estén correctamente colocados. No utilice el aparato si los filtros no están en su lugar.
- ◆ No transporte el aparato por el asa del depósito.
- ◆ No use este aparato para recoger líquidos.
- ◆ No use este aparato para recoger materiales inflamables.
- ◆ No utilice este aparato cerca de agua. No sumerja el aparato en el agua.
- ◆ Mantenga alejada de ojos y cara la zona de aspiración del motor.

- ◆ Cuando utilice este aparato, mantenga a los niños y animales a una distancia de seguridad.
- ◆ Trabaje siempre de abajo hacia arriba cuando utilice el aparato en escaleras y mantenga el aparato al menos un escalón por debajo de su posición de trabajo.
- ◆ Esté siempre atento a la posición del cable eléctrico y el tubo flexible cuando utilice el aparato.
- ◆ No utilice el aparato sin el cabezal de aspiración u otro accesorio adecuado acoplado al tubo.
- ◆ Tras el uso, rebobine totalmente el cable eléctrico y almacene el aparato de forma ordenada.
- ◆ Mantenga su pelo, vestimenta y guantes alejados de las piezas móviles.
- ◆ No utilice accesorios dañados.
- ◆ Utilice únicamente accesorios Black & Decker.

Características

Este aparato incluye alguna o todas las características siguientes (fig. A).

1. Interruptor de encendido/apagado
2. Botón recogecable
3. Mango
4. Tubo flexible
5. Interruptor de control del flujo de aire
6. Tubo
7. Cabezal de aspiración
8. Depósito
9. Ruedas

Además, este aparato se suministra con alguno o todos los accesorios siguientes (fig. B):

10. Útil con hendidura
11. Cepillo
12. Portaccesorios
13. Cabezal para suelos de parquet (VO1710)

El cabezal para suelos de parquet no está incluido con todos los modelos. Este accesorio se encuentra disponible en su distribuidor / servicio técnico de Black & Decker.

Montaje

Conexión del tubo flexible (fig. C)

- ◆ Inserte el conector del tubo flexible (15) en la entrada (14) del aparato.
- ◆ Introduzca el tubo flexible hasta que los botones de liberación (16) encajen en su sitio.
- ◆ Para desconectar el tubo flexible, presione los botones de liberación y tire del tubo flexible hacia fuera.

VO1700/VO1700A - Montaje del tubo (fig. D)

- ◆ Introduzca el tubo inferior (17) firmemente en el tubo superior (18), hasta que encajen bien.

Conexión del tubo (fig. E)

- ◆ Introduzca la boquilla del tubo flexible (19) en el tubo (6).
- ◆ Para retirar el tubo, saque el tubo flexible de éste.

Montaje del cabezal de aspiración (fig. F)

El cabezal de aspiración (7) permite aspirar alfombras y superficies duras (p. ej. laminados y azulejos).

- ◆ Introduzca el tubo (6) en el cabezal (7).
- ◆ Para retirar el cabezal, saque el tubo de éste.

VO1710 - Montaje del cabezal para suelos de parquet (fig. F)

El cabezal para suelos de parquet (13) permite aspirar superficies de madera y pulidas.

- ◆ Introduzca el tubo (6) en el cabezal (13).
- ◆ Para retirar el cabezal, saque el tubo de éste.

Montaje de accesorios (fig. F & G)

El útil con hendidura (10) permite aspirar en lugares estrechos y difíciles de alcanzar. El cepillo (11) permite aspirar muebles, persianas, cortinas, ventanas y escaleras. Los accesorios se pueden montar tanto en el tubo flexible (4) como en el tubo (6). Cuando no se usen, los accesorios pueden guardarse en el portaaccesorios (12).

- ◆ Retire el accesorio del portaaccesorios (fig. G).
- ◆ Introduzca el accesorio en la boquilla del tubo flexible (19) o en el tubo (6) (fig. F).
- ◆ Para retirar un accesorio, saque el accesorio de la boquilla del tubo flexible o del tubo.

Uso

Desenrollado y recogida del cable eléctrico (fig. A)

El botón recogecable (2) se puede accionar a mano o con el pie.

- ◆ Extraiga un largo de cable suficiente de la parte posterior del aparato.
- ◆ Después del uso, presione el botón recogecable para recoger el cable en la unidad. Guíe el cable manualmente para asegurarse de que no vuelva hacia atrás. Asegúrese de que el enchufe esté colocado correctamente.

VO1710 - Ajuste de la longitud del tubo (fig. H)

El tubo extensible (6) se puede ajustar como sigue:

- ◆ Empuje el pomo (20) y deslice el tubo a la longitud deseada.
- ◆ Suelte el pomo.

Ajuste del cabezal de aspiración (fig. F)

- ◆ Para aspirar alfombras, sitúe el actuador de cepillo (21) en la posición superior.
- ◆ Para aspirar laminados, azulejos, etc., sitúe el actuador de cepillo en la posición inferior.

Encendido y apagado (fig. A)

El interruptor de encendido/apagado (1) se puede accionar a mano o con el pie.

- ◆ Para encender el aparato, pulse el interruptor de encendido/apagado (1).
- ◆ Para apagar el aparato, pulse de nuevo el interruptor de encendido/apagado.

Ajuste del flujo de aire (fig. I)

Mueva el interruptor de control del flujo de aire (5) para ajustar el flujo de aire como desee.

Aspiración de polvo

- ◆ Cuando utilice el aparato, asegúrese de que el tubo flexible no quede atrapado, bloqueado o torcido.
- ◆ En caso de sobrecalentamiento, se accionará un disyuntor y el aparato se apagará automáticamente.
- ◆ Si el aparato deja de funcionar, desenchúfelo y deje que se enfríe unas 2-3 horas antes de continuar.

Consejos para un uso óptimo

- ◆ Cuando aspire escaleras, comience siempre por abajo y trabaje hacia arriba. Coloque el aparato en el suelo y haga las escaleras hasta la mitad. Luego coloque el aparato en una posición estable al menos un escalón por debajo de su posición de trabajo y haga la mitad superior de la escalera.

Trasporte del aparato (fig. A)

Durante el uso, el aparato se puede llevar utilizando el asa (3).

Estacionamiento temporal del cabezal de aspiración (fig. J)

- ◆ Utilice la posición de estacionamiento (22) para dejar temporalmente el cabezal de aspiración.

Almacenamiento del aparato (fig. K)

¡Atención! Apague y desenchufe el aparato para almacenarlo.

- ◆ Asegúrese de que el cable esté totalmente recogido.
- ◆ Coloque el aparato en posición vertical.
- ◆ Coloque el tubo en la posición de estacionamiento (28).
- ◆ Guarde el aparato en un sitio seco.

Mantenimiento

Su aparato Black & Decker está diseñado para que funcione durante un largo período de tiempo con un mantenimiento mínimo. El funcionamiento satisfactorio continuado depende de un cuidado apropiado y una limpieza periódica del aparato.

¡Atención! Antes de realizar cualquier operación de mantenimiento o limpieza en el aparato, desenchúfelo.

- ◆ Limpie periódicamente las ranuras de ventilación del aparato con un cepillo suave o un paño seco.

- ◆ Limpie periódicamente la carcasa del motor con un paño húmedo. No utilice ninguna sustancia limpiadora abrasiva o que contenga disolventes.

Vaciado del depósito (fig. L & M)

El depósito (8) debe vaciarse cuando se alcance la marca máxima.

- ◆ Retire el tubo flexible.
- ◆ Pulse el botón de liberación (30).
- ◆ Levante la tapa (31) hasta que se bloquee en posición (fig. L).
- ◆ Coja el depósito por el asa (29). Saque el depósito (8) del aparato.
- ◆ Sujete el depósito sobre un cubo de basura.
- ◆ Pulse el botón de liberación (32) para abrir el depósito (fig. M). Vacíe el depósito según sea necesario.
- ◆ Cierre la base (33) moviéndola hacia arriba hasta que el bloqueo se sitúe en el cierre.
- ◆ Vuelva a introducir el depósito en el aparato.
- ◆ Cierre la tapa hasta que encaje en su lugar.

Limpieza

¡Atención! Antes de realizar cualquier tipo de mantenimiento o limpieza, apague y desenchufe el aparato.

- ◆ Periódicamente limpie el aparato con un paño húmedo. No utilice ninguna sustancia limpiadora abrasiva o que contenga disolventes. No sumerja el aparato en el agua.

Limpieza del filtro del depósito (fig. L - O)

El filtro del depósito evita que el polvo y la suciedad entren en la carcasa del motor. El filtro es reutilizable. Para mantener una aspiración eficaz, el filtro debe limpiarse cada semana, o siempre que la eficacia de aspiración se vea reducida notablemente. El aparato está equipado con una válvula de derivación. Cuando el filtro se atasca, el funcionamiento de la válvula es audible. Esto es normal y no constituye ningún problema. Apague el aparato y retire el enchufe de la toma de corriente antes de limpiar los filtros.

- ◆ Saque el depósito (8) del aparato (fig. L).
- ◆ Vacíe el depósito (fig. M).
- ◆ Retire el cartucho (34) haciéndolo girar en sentido contrario a las agujas del reloj (fig. N).
- ◆ Afloje el filtro (35) y retírelo del depósito.
- ◆ Sacuda el exceso de polvo golpeando el filtro en un cubo de basura.

¡Atención! No lo cepille ni use aire comprimido para limpiar el filtro.

- ◆ Dependiendo de su estado, enjuague el exterior del filtro con agua. Deje secar el filtro durante 24 horas antes de volver a colocarlo.

¡Atención! No lave el interior del filtro.

- ◆ Saque el conjunto del filtro (36) situado justo debajo de la rejilla y cepille las partículas de polvo sueltas antes de volver a colocarlo (fig. O).
- ◆ Vuelva a colocar el filtro del depósito y apriételo.
- ◆ Vuelva a colocar el cartucho.
- ◆ Tras colocar el filtro, cierre el depósito.
- ◆ Vuelva a introducir el depósito en el aparato.

Limpeza del filtro del motor (fig. L & P)

El filtro del motor evita que las partículas y objetos grandes entren en la carcasa del motor cuando se quita el depósito. El filtro es reutilizable y debe limpiarse periódicamente.

- ◆ Abra la tapa (31) (fig. L).
- ◆ Saque el filtro (37) (fig. P).
- ◆ Cepille el filtro para eliminar partículas de polvo sueltas.
- ◆ Vuelva a colocar el filtro.
- ◆ Cierre la tapa.

Sustitución de los filtros (fig. L - Q)

El filtro del depósito debe cambiarse cada 6-9 meses y siempre que esté gastado o dañado. Cuando sustituya el filtro del depósito, también deberá sustituir el filtro del motor y los filtros de salida. Los conjuntos de filtros de recambio los podrá encontrar en su distribuidor Black & Decker.

Cambio del filtro del contenedor (fig. L - O)

- ◆ Proceda como se ha descrito anteriormente para cambiar los filtros.

Cambio del filtro del motor (fig. L & P)

- ◆ Proceda como se ha descrito anteriormente para sustituir el filtro.

VO1700A - Sustitución del filtro de salida (fig. Q)

- ◆ Abra la tapa (38).
- ◆ Retire el filtro usado (39)
- ◆ Inserte el filtro nuevo como se muestra.
- ◆ Cierre la tapa.

VO1700/VO1710 - Sustitución del filtro HEPA (fig. Q)

El filtro HEPA reduce al mínimo la cantidad de polvo que sale de la carcasa del motor.

- ◆ Proceda como se ha descrito anteriormente para sustituir el filtro.

Protección del medio ambiente



Separación de desechos. Este producto no debe desecharse con la basura doméstica normal.

Si llega el momento de reemplazar su producto Black & Decker o éste ha dejado de tener utilidad para usted, no lo deseche con la basura doméstica normal. Asegúrese de que este producto se deseche por separado.



La separación de desechos de productos usados y embalajes permite que los materiales puedan reciclarse y reutilizarse. La reutilización de materiales reciclados ayuda a evitar la contaminación medioambiental y reduce la demanda de materias primas.

La normativa local puede prever la separación de desechos de productos eléctricos de uso doméstico en centros municipales de recogida de desechos o a través del distribuidor cuando adquiere un nuevo producto.

Black & Decker proporciona facilidades para la recogida y el reciclado de los productos Black & Decker que hayan llegado al final de su vida útil. Para hacer uso de este servicio, devuelva su producto a cualquier servicio técnico autorizado, que lo recogerá en nuestro nombre.

Pueden consultar la dirección de su servicio técnico más cercano poniéndose en contacto con la oficina local de Black & Decker en la dirección que se indica en este manual. Como alternativa, puede consultar en Internet la lista de servicios técnicos autorizados e información completa de nuestros servicios de posventa y contactos en la siguiente dirección: www.2helpU.com

Características técnicas

	VO1700	VO1700A VO1710
Voltaje	V 230	230
Potencia absorbida	W 1.700	1.700
Longitud del cable	m 4,5	5
Tamaño del depósito	l 2,5	2,5
Peso	kg 7	7

Declaración de conformidad CE

VO1700/VO1700A/VO1710

Black & Decker declara que estos productos cumplen las normas siguientes:
89/336/CEE, 73/23/CEE, EN 55014, EN 61000, EN 60335

Nivel de la presión acústica, medida según
EN 60704-1: 71 dB(A)



Kevin Hewitt
Director de Ingeniería del Consumidor
Spennymoor, County Durham DL16 6JG,
Reino Unido
1-12-2006

Visite nuestro sitio web www.blackanddecker.eu para registrar su nuevo producto Black & Decker y mantenerse al día sobre nuestros productos y ofertas especiales. Encontrará información adicional sobre la marca Black & Decker y nuestra gama de productos en www.blackanddecker.eu

Nº de registro del diseño en la UE 351606-0001

Garantía

Black & Decker confía plenamente en la calidad de sus productos y ofrece una garantía extraordinaria. Esta declaración de garantía es una añadido, y en ningún caso un perjuicio para sus derechos estatutarios. La garantía es válida dentro de los territorios de los Estados Miembros de la Unión Europea y de los de la Zona Europea de Libre Comercio.

Si un producto Black & Decker resultará defectuoso debido a materiales o mano de obra defectuosos o a la falta de conformidad, Black & Decker garantiza, dentro de los 24 meses de la fecha de compra, la sustitución de las piezas defectuosas, la reparación de los productos sujetos a un desgaste y rotura razonables o la sustitución de tales productos para garantizar al cliente el mínimo de inconvenientes, a menos que:

- ◆ El producto haya sido utilizado con propósitos comerciales, profesionales o de alquiler;
- ◆ El producto haya sido sometido a un uso inadecuado o negligente;
- ◆ El producto haya sufrido daños causados por objetos o sustancias extrañas o accidentes;
- ◆ Se hayan realizado reparaciones por parte de personas que no sean los servicios de reparación autorizados o personal de servicios de Black & Decker;

Para reclamar en garantía, será necesario que presente la prueba de compra al vendedor o al servicio técnico de reparaciones autorizado. Pueden consultar la dirección de su servicio técnico más cercano poniéndose en contacto con la oficina local de Black & Decker en la dirección que se indica en este manual. Como alternativa, se puede consultar en Internet, en la dirección siguiente, la lista de servicios técnicos autorizados e información completa de nuestros servicios de postventa y contactos: www.2helpU.com

Utilização

O seu aspirador Black & Decker foi concebido para aspirar substâncias secas.

Este produto destina-se exclusivamente ao uso doméstico.

Instruções de segurança

- ◆ **Advertência!** Ao utilizar aparelhos eléctricos, é preciso seguir sempre as precauções básicas para a segurança, incluindo as detalhadas a seguir, para diminuir os riscos de incêndio, choque eléctrico, ferimentos pessoais e danos materiais.
- ◆ Leia atentamente este manual antes de utilizar o aparelho.
- ◆ Neste manual indicam-se as utilizações previstas para o aparelho. O uso de qualquer acessório, extensão ou do próprio aparelho em situações diferentes das recomendadas neste manual de instruções pode representar risco de ferimentos.
- ◆ Guarde este manual para futura consulta.

Utilização do aparelho

- ◆ Assegure-se de que o aparelho está desligado antes de o ligar ou desligar da fonte de alimentação.
- ◆ Tenha sempre cuidado ao utilizar o aparelho.
- ◆ Não utilize o aparelho em ambientes externos.
- ◆ Nunca puxe pelo cabo de alimentação para desligá-lo da tomada. Mantenha o cabo de alimentação afastado de calor, de óleo e de arestas afiadas.
- ◆ Se o cabo de alimentação ficar danificado durante a utilização, desligue imediatamente o aparelho da fonte de alimentação. Não toque no cabo de alimentação antes de desligá-lo da fonte de alimentação.
- ◆ Desligue o aparelho da fonte de alimentação quando não estiver a ser utilizado, antes de colocar ou remover acessórios e antes de o limpar.

Segurança de outras pessoas

- ◆ Não permita que as crianças ou qualquer pessoa que não esteja familiarizada com estas instruções utilizem o aparelho.
- ◆ Não permita que crianças ou animais cheguem perto da área de trabalho ou toquem no aparelho ou no cabo de alimentação. A supervisão deve ser apertada quando o aparelho estiver a ser utilizado perto de crianças.

Após a utilização

- ◆ Desligue o aparelho e retire a ficha da tomada antes de abandonar o aparelho e antes de trocar, limpar ou inspeccionar qualquer peça.
- ◆ Sempre que não estiver a ser utilizado, o aparelho deve ser guardado num local seco. Guarde o aparelho fora do alcance das crianças.

Inspeção e reparação

- ◆ Antes de utilizar o aparelho, verifique se existem danos ou defeitos nas peças. Verifique se existem peças partidas, interruptores danificados ou quaisquer outros problemas que possam afectar o funcionamento do mesmo.
- ◆ Não utilize o aparelho se houver alguma peça defeituosa ou danificada.
- ◆ Qualquer peça defeituosa ou danificada deverá ser reparada ou substituída por um técnico autorizado.
- ◆ Antes de iniciar a utilização, verifique se o cabo de alimentação apresenta sinais de danos, envelhecimento e desgaste.
- ◆ Não utilize o aparelho se o cabo de alimentação ou a tomada estiverem defeituosos ou danificados.
- ◆ Para evitar situações de risco, o cabo de alimentação ou a tomada danificados ou defeituosos deverão ser reparados por um técnico autorizado. Não corte o cabo de alimentação e não tente repará-lo por conta própria.
- ◆ Nunca tente remover nem trocar peças por outras que não as especificadas neste manual.

Segurança eléctrica



Esta ferramenta está duplamente vedada; assim não é necessário fio de terra. Certifique-se sempre de que o fornecimento de energia corresponde à voltagem indicada na placa de especificações.

- ◆ Este aparelho não se destina a ser utilizado por jovens nem por pessoas enfermas sem supervisão. As crianças deverão ser vigiadas para que não mexam no aparelho.
- ◆ Se o cabo de alimentação estiver danificado, deverá ser substituído pelo fabricante ou por um Centro de Assistência autorizado pela Black & Decker, de modo a evitar perigos.

Instruções de segurança adicionais para aspiradores

- ◆ Antes de utilizar, certifique-se de que os filtros estão correctamente colocados. Não utilize o aparelho se não tiver instalado todos os filtros.
- ◆ Não transporte o aparelho pela pega do recipiente.
- ◆ Não utilize o aparelho para a recolha de líquidos.
- ◆ Não utilize o aparelho para recolha de materiais inflamáveis.
- ◆ Não utilize o aparelho próximo de água. Não permita que o aparelho seja imerso em água.
- ◆ Mantenha os olhos e o rosto afastados do ar que sai do motor.
- ◆ Mantenha as crianças e os animais a uma distância segura quando estiver a utilizar o aparelho.
- ◆ Quando utilizar o aparelho em escadas, trabalhe sempre de baixo para cima e mantenha o aparelho, pelo menos, um degrau abaixo da sua posição de trabalho.

- ◆ Tenha sempre cuidado com a posição do cabo de alimentação e da mangueira durante a utilização do aparelho.
- ◆ Não utilize o aparelho sem a cabeça de sucção ou sem outro acessório adequado montado no tubo.
- ◆ Depois de utilizar, enrole totalmente o cabo de alimentação e guarde o aparelho de uma forma adequada.
- ◆ Mantenha o cabelo, roupa e luvas afastados de peças em movimento.
- ◆ Não utilize acessórios danificados.
- ◆ Utilize apenas acessórios Black & Decker.

Características

Este aparelho inclui algumas ou todas as seguintes funções (fig. A).

1. Interruptor de ligar/desligar
2. Botão de enrolamento do cabo
3. Pega
4. Mangueira
5. Interruptor de controlo do fluxo do ar
6. Tubo
7. Cabeça de sucção
8. Recipiente
9. Rodas

Para além disso, o aparelho é fornecido com alguns ou todos os seguintes acessórios (fig. B):

10. Bico estreito
11. Escova
12. Suporte para acessórios
13. Cabeça de limpeza de parquet (VO1710)

A cabeça de limpeza de parquet não está incluída em todos os modelos. Este acessório encontra-se disponível através de seu revendedor/centro de assistência da Black & Decker.

Montagem

Ligação da mangueira (fig. C)

- ◆ Introduza o conector da mangueira (15) na entrada (14) do aparelho.
- ◆ Empurre a mangueira até que os botões de libertação (16) encaixem na devida posição.
- ◆ Para desligar a mangueira, pressione os botões de libertação e puxe a mangueira.

VO1700/VO1700A - Montagem do tubo (fig. D)

- ◆ Empurre o tubo inferior (17) para dentro do tubo superior (18) até encaixarem com firmeza.

Ligação do tubo (fig. E)

- ◆ Empurre o bocal (19) do tubo para dentro do tubo (6).
- ◆ Para remover o tubo, puxe a mangueira para fora do tubo.

Montagem da cabeça de sucção (fig. F)

A cabeça de sucção (7) permite aspirar carpetes e superfícies rígidas (p. ex.: laminados e azulejos).

- ◆ Empurre o tubo (6) para dentro da cabeça (7).
- ◆ Para remover a cabeça, puxe o tubo para fora da cabeça.

VO1710 - Montagem da cabeça de limpeza de parquet (fig. F)

A cabeça de limpeza de parquet (13) permite aspirar superfícies em madeira e enceradas.

- ◆ Empurre o tubo (6) para dentro da cabeça (13).
- ◆ Para remover a cabeça, puxe o tubo para fora da cabeça.

Montagem dos acessórios (fig. F & G)

O bico estreito (10) permite aspirar em locais estreitos e difíceis de alcançar. A escova (11) permite aspirar mobiliário, estores, cortinas, janelas e escadas. Os acessórios podem ser montados na mangueira (4) e no tubo (6). Quando não estiverem em utilização, os acessórios podem ser armazenados no suporte de acessórios (12).

- ◆ Retire o acessório do suporte (fig. G).
- ◆ Fixe o acessório no bocal (19) do tubo ou no tubo (6) (fig. F).
- ◆ Para remover um acessório, puxe-o para fora do bocal do tubo ou tubo.

Utilização

Desenrolar e enrolar o cabo de alimentação (fig. A)

O botão de enrolamento do cabo (2) pode ser accionado com o pé ou com as mãos.

- ◆ Puxe uma quantidade de cabo suficiente a partir da parte posterior do aparelho.
- ◆ Depois de utilizar, prima o botão de enrolamento do cabo para retraindo o cabo para a unidade. Guie manualmente o fio para assegurar que não existem oscilações. Certifique-se de que a tomada está colocada correctamente.

VO1710 - Ajuste da altura do tubo (fig. H)

O tubo de extensão (6) pode ser ajustado da seguinte forma:

- ◆ Pressione o botão (20) e faça deslizar o tubo até obter a altura desejada.
- ◆ Solte o botão.

Ajuste da cabeça de sucção (fig. F)

- ◆ Para aspirar carpetes, coloque o actuador da escova (21) na posição para cima.
- ◆ Para aspirar laminados, azulejos, etc., coloque o actuador da escova na posição para baixo.

Como ligar e desligar a ferramenta (fig. A)

O interruptor de ligar/desligar (1) pode ser accionado com o pé ou com as mãos.

- ◆ Para ligar o aparelho, prima o interruptor de ligar/desligar (1).
- ◆ Para desligar o aparelho, prima novamente o interruptor de ligar/desligar.

Ajuste do fluxo do ar (fig. I)

Movimente o interruptor de controlo do fluxo do ar (5) para ajustar o fluxo de ar, tal como desejado.

Aspirar

- ◆ Quando utilizar o aparelho, certifique-se de que a mangueira não está presa, torcida nem bloqueada.
- ◆ Em caso de sobreaquecimento, regista-se um corte de energia e o aparelho pára automaticamente.
- ◆ Se o aparelho deixar de funcionar, desligue o aparelho e deixe arrefecer durante 2 a 3 horas antes de prosseguir.

Sugestões para uma melhor utilização

- ◆ Quando aspirar escadas, comece sempre o trabalho de baixo para cima. Posicione o aparelho no chão e aspire as escadas até meio. Em seguida, transporte o aparelho para uma posição estável, que seja, no mínimo, um degrau abaixo da sua posição de trabalho e aspire a metade superior das escadas.

Transporte do aparelho (fig. A)

Durante a utilização, transporte o aparelho pela pega (3).

Arrumação temporária da cabeça de sucção (fig. J)

- ◆ Utilize a posição de estacionamento (22) para a arrumação temporária da cabeça de sucção.

Armazenamento do aparelho (fig. K)

Advertência! Quando armazenar o aparelho, desligue-o no interruptor e na tomada.

- ◆ Certifique-se de que o cabo está completamente enrolado.
- ◆ Coloque o aparelho na posição vertical.
- ◆ Arrume o tubo na posição de estacionamento (28).
- ◆ Guarde o aparelho num local seco.

Manutenção

Este aparelho Black & Decker foi desenvolvido para funcionar por um longo período, com um mínimo de manutenção.

O funcionamento contínuo e satisfatório depende da limpeza regular e cuidado adequado do aparelho.

Advertência! Antes de executar quaisquer tarefas de manutenção ou limpeza no aparelho, desligue-o da tomada.

- ◆ Limpe regularmente as fendas de ventilação do aparelho utilizando uma escova suave ou um pano seco.
- ◆ Limpe regularmente o compartimento do motor utilizando um pano húmido. Não utilize nenhum detergente abrasivo ou de base solvente.

Esvaziamento do recipiente (fig. L & M)

O recipiente (8) tem que ser esvaziado quando for atingida a marca de nível máximo.

- ◆ Retire a mangueira.
- ◆ Pressione o botão de libertação (30).
- ◆ Levante a tampa (31) até que bloqueie em posição (fig. L).
- ◆ Segure o recipiente pela pega (29). Retire o recipiente (8) do aparelho.
- ◆ Coloque o recipiente sobre um balde de lixo.
- ◆ Prima o botão de libertação (32) para abrir o recipiente (fig. M). Esvazie o recipiente conforme necessário.
- ◆ Feche a base (33), movendo-a para cima até o trinco accionar.
- ◆ Volte a inserir o recipiente no aparelho.
- ◆ Feche a tampa até que bloqueie em posição.

Limpeza

Advertência! Antes de iniciar qualquer procedimento de limpeza ou manutenção, desligue o aparelho no interruptor e na tomada.

- ◆ Ocasionalmente, limpe o aparelho com um pano húmido. Não utilize nenhum detergente abrasivo ou de base solvente. Não permita que o aparelho seja imerso em água.

Limpeza do filtro do recipiente (fig. L - O)

O filtro do recipiente evita que o pó e a sujidade entrem no compartimento do motor. O filtro é reutilizável. Para manter um desempenho de sucção eficiente, o filtro deve ser limpo todas as semanas ou sempre que o desempenho de sucção diminuir consideravelmente. O aparelho está equipado com uma válvula de desvio. Quando o filtro está obstruído, poder-se-á escutar o funcionamento da válvula. Isso é normal e não indica qualquer problema. Desligue o aparelho e retire a ficha da tomada antes de limpar os filtros.

- ◆ Retire o recipiente (8) do aparelho (fig. L).
- ◆ Esvazie o recipiente (fig. M)
- ◆ Retire o cartucho (34) girando-o para a esquerda (fig. N).
- ◆ Solte o filtro (35) e retire-o do recipiente.
- ◆ Retire o excesso de pó batendo levemente com o filtro dentro de um balde do lixo.

Advertência! Não escove nem utilize ar comprimido para limpar o filtro.

- ◆ Dependendo do seu estado, passe o filtro por água. Deixe secar o filtro durante 24 horas antes de o voltar a colocar.

Advertência! Não lave o interior do filtro.

- ◆ Retire o filtro (36) localizado imediatamente abaixo da grade e, com uma escova, retire o pó solto antes de o voltar a colocar (fig. O).
- ◆ Volte a colocar o filtro do recipiente e aperte-o.
- ◆ Reponha o cartucho.
- ◆ Depois de recolocar o filtro, feche o recipiente.
- ◆ Volte a inserir o recipiente no aparelho.

Limpeza do filtro do motor (fig. L & P)

O filtro do motor evita que partículas e grandes objectos entrem no compartimento do motor quando o recipiente é removido. O filtro é reutilizável e deve ser limpo regularmente.

- ◆ Abra a tampa (31) (fig. L).
- ◆ Retire o filtro (37) (fig. P).
- ◆ Retire o pó solto do filtro com uma escova.
- ◆ Volte a colocar o filtro.
- ◆ Feche a tampa.

Substituição dos filtros (fig. L - Q)

Substitua o filtro do recipiente em intervalos de 6 a 9 meses e sempre que estiver gasto ou danificado. Aquando da substituição do filtro do recipiente, o filtro do motor e os filtros de saída também têm de ser substituídos. Poderá obter conjuntos de filtros para substituição através de seu revendedor Black & Decker.

Substituição do filtro do recipiente (fig. L - O)

- ◆ Proceda como descrito anteriormente para substituir os filtros.

Substituição do filtro do motor (fig. L & P)

- ◆ Proceda como descrito anteriormente para substituir o filtro.

VO1700A - Substituição do filtro de saída (fig. Q)

- ◆ Abra a tampa (38).
- ◆ Retire o filtro usado (39).
- ◆ Coloque o novo filtro, tal como mostrado.
- ◆ Feche a tampa.

VO1700/VO1710 - Substituição do filtro HEPA (fig. Q)

O filtro HEPA reduz ao mínimo a quantidade de pó que sai do compartimento do motor.

- ◆ Proceda como descrito anteriormente para substituir o filtro.

Protecção do meio ambiente



Recolha em separado. Não deve deitar este produto fora juntamente com o lixo doméstico normal.

Caso chegue o momento em que um dos seus produtos Black & Decker precise de ser substituído ou decida desfazer-se do mesmo, não o deite fora juntamente com o lixo doméstico. Torne este produto disponível para uma recolha em separado.



A recolha em separado de produtos e embalagens utilizados permite que os materiais sejam reciclados e reutilizados. A reutilização de materiais reciclados ajuda a evitar a poluição ambiental e a reduzir a procura de matérias-primas.

Os regulamentos locais poderão providenciar a recolha em separado de produtos eléctricos junto das casas, em lixeiras municipais ou junto dos fornecedores ao adquirir um novo produto.

A Black & Decker oferece um serviço de recolha e reciclagem de produtos Black & Decker que tenha atingido o fim das suas vidas úteis. Para tirar proveito deste serviço, devolva seu produto a qualquer agente de reparação autorizado, que se encarregará de recolher o equipamento em nosso nome.

Para verificar a localização do agente de reparação mais próximo de si, contacte o escritório local da Black & Decker no endereço indicado neste manual. Se preferir, consulte a lista de agentes autorizados da Black & Decker e os dados completos dos nossos serviços de atendimento pós-venda na Internet no endereço: www.2helpU.com

Dados técnicos

	VO1700	VO1700A VO1710
Voltagem	V 230	230
Potência	W 1.700	1.700
Comprimento do cabo	m 4,5	5
Tamanho do recipiente	l 2,5	2,5
Peso	kg 7	7

Declaração de conformidade CE

VO1700/VO1700A/VO1710

A Black & Decker declara que estes produtos estão em conformidade com a:

89/336/CEE, 73/23/CEE, EN 55014, EN 61000, EN 60335

Nível de potência sonora, medido de acordo com a norma EN 60704-1: 71 dB(A)

Kevin Hewitt
Director de Engenharia do Consumo
Spennymoor, County Durham DL16 6JG,
Reino Unido
1-12-2006

Número de registo do desenho da Comunidade Europeia
351606-0001

Garantia

A Black & Decker confia na qualidade de seus produtos e oferece um programa de garantia excelente. Esta declaração de garantia soma-se aos seus direitos legais e não os prejudica em nenhum aspecto. A garantia será válida nos territórios dos Estados Membros da União Europeia e na Área de Livre Comércio da Europa.

Caso algum produto da Black & Decker apresente avarias devido a defeitos de material, mão-de-obra ou ausência de conformidade no prazo de 24 meses a partir da data de compra, a Black & Decker garantirá a substituição das peças defeituosas, a reparação dos produtos que foram submetidos a uso adequado e remoção ou substituição dos mesmos para assegurar o mínimo de inconvenientes ao cliente a menos que:

- ◆ O produto tenha sido utilizado para fins comerciais, profissionais ou aluguer;
- ◆ O produto tenha sido submetido a uso incorrecto ou descuido;
- ◆ O produto tenha sofrido danos causados por objectos estranhos, substâncias ou acidentes;
- ◆ Tenha um histórico de reparações efectuadas por terceiros que não sejam os agentes autorizados ou profissionais de manutenção da Black & Decker.

Para activar a garantia, será necessário enviar a prova de compra ao revendedor ou agente de reparação autorizado.

Para verificar a localização do agente de reparação mais próximo de si contacte o escritório local da Black & Decker no endereço indicado neste manual. Se preferir, consulte a lista de agentes autorizados da Black & Decker e os dados completos de nossos serviços de atendimento pós-venda na Internet no endereço: www.2helpU.com

Visite o nosso website www.blackanddecker.eu

para registar o seu novo produto Black & Decker e para se manter actualizado sobre novos produtos e ofertas especiais. Estão disponíveis mais informações sobre a Black & Decker e sobre a nossa gama de produtos em www.blackanddecker.eu

Användningsområde

Denna Black & Decker dammsugare är avsedd att suga upp torrt material.

Produkten är endast avsedd för hemmabruk.

Säkerhetsanvisningar

- ◆ **Varning!** När man använder elektriska apparater är det viktigt att bl.a. följa nedanstående säkerhetsanvisningar för att minska risken för brand, elektriska stötar, personskador och materialskador.
- ◆ Läs bruksanvisningen innan du använder apparaten.
- ◆ Apparaten är avsedd för den användning som beskrivs i denna bruksanvisning. Använd endast de tillbehör och tillsatser som rekommenderas i bruksanvisningen och katalogerna. Användning av annan tillsats eller annat tillbehör kan innebära risk för personskada.
- ◆ Spara bruksanvisningen för framtida bruk.

Användning av apparaten

- ◆ Se till att apparaten är avstängd innan du ansluter eller bryter anslutningen till elnätet.
- ◆ Var alltid försiktig när du använder apparaten.
- ◆ Använd inte apparaten utomhus.
- ◆ Drag aldrig i sladden för att dra ur stickkontakten. Utsätt inte sladden för värmekällor, olja eller skarpa kanter.
- ◆ Stäng genast av apparaten och dra ut kontakten om sladden skadats vid användning. Vidrör inte sladden förrän stickkontakten är utdragen ur vägguttaget.
- ◆ Dra ur kontakten när apparaten inte används, vid byte av någon del av apparaten eller tillbehör samt vid rengöring.

Andra personers säkerhet

- ◆ Låt aldrig barn, eller personer som inte har läst denna bruksanvisning använda apparaten.
- ◆ Låt inte barn eller djur komma i närheten av arbetsområdet eller röra vid apparaten eller sladden. Var mycket uppmärksam när apparaten används nära barn.

Efter användning

- ◆ Stäng av apparaten och dra ur kontakten ur vägguttaget innan du lämnar apparaten utan tillsyn och innan du byter, rengör eller inspekterar någon del av apparaten.
- ◆ När apparaten inte används skall den förvaras torrt. Se till att barn inte kan få tag på verktyget.

Kontroll och reparation

- ◆ Kontrollera om apparaten är skadad eller defekt, innan den används. Kontrollera att inga delar är trasiga, att strömbrytaren inte är skadad eller att något annat som kan inverka på funktionen.
- ◆ Använd inte verktyget om någon del är skadad eller defekt.

- ◆ Om fel uppstår skall delarna repareras eller bytas ut av en auktoriserad Black & Decker serviceverkstad.
- ◆ Kontrollera före användning om sladden är skadad, sliten eller börjar bli gammal.
- ◆ Använd aldrig apparaten om sladden eller kontakten är skadad eller defekt.
- ◆ Om sladden är skadad måste den bytas ut av en befogad reparatör för att undvika risker. Skär/klipp ej i sladden. Försök ej heller att laga den själv.
- ◆ Försök aldrig att ta bort eller byta ut andra delar än dem som nämns i denna bruksanvisning.

Elektrisk säkerhet



Eftersom verktyget är dubbelisolerat behövs ingen jordledare. Kontrollera alltid att nätspänningen överensstämmer med värdet på märkplåten.

- ◆ Ungdomar eller personer med svag hälsa får inte använda verktyget utan tillsyn. Håll uppsyn så att inga barn leker med apparaten.
- ◆ Om nätsladden är skadad måste den bytas ut av tillverkaren eller en godkänd Black & Decker serviceverkstad för att undvika risker.

Tillkommande säkerhetsanvisningar för dammsugare

- ◆ Kontrollera alltid innan användning att filterna sitter på rätt ställe. Använd aldrig maskinen om inte alla filter finns på plats.
- ◆ Bär inte apparaten i behållarens handtag.
- ◆ Sug inte upp vätskor med apparaten.
- ◆ Sug inte upp lättantändligt material med apparaten.
- ◆ Använd inte apparaten i närheten av vatten. Doppa aldrig apparaten i vatten.
- ◆ Undvik att rikta motorns luftström mot ögonen eller ansiktet.
- ◆ Se till att barn och husdjur befinner sig på behörigt avstånd när du använder apparaten.
- ◆ Arbeta alltid nedifrån och upp när du använder apparaten i trappor, och ställ apparaten minst ett trappsteg lägre än där du arbetar.
- ◆ Var hela tiden medveten om var strömsladden och slangen befinner sig medan maskinen används.
- ◆ Använd inte apparaten utan att sugmunstycket eller ett annat lämpligt tillbehör sitter på röret.
- ◆ Rulla ihop strömsladden helt efter användning och förvara maskinen på ett ordentligt sätt.
- ◆ Håll hår, kläder och handskar undan från rörliga delar.
- ◆ Använd inte skadade tillbehör.
- ◆ Använd endast Black & Decker tillbehör.

Detaljbeskrivning

Apparaten har en del eller samtliga av nedanstående funktioner (fig. A).

1. Strömbrytare
2. Upplindningsknapp för sladden
3. Handtag
4. Slang
5. Reglage för luftflödet
6. Stång
7. Sugmunstycke
8. Behållare
9. Hjul

Vidare levereras apparaten med vissa eller samtliga av följande tillbehör (fig. B):

10. Elementmunstycke
11. Borstmunstycke
12. Tillbehörshållare
13. Munstycke för parkettgolv (VO1710)

Munstycket för parkettgolv medföljer inte alla modeller. Detta tillbehör kan köpas hos Black & Decker återförsäljare / serviceverkstad.

Montering

Montering av slang (fig. C)

- ◆ För in slangens fattning (15) i apparatens intag (14).
- ◆ Tryck mot slangens tills spärrknapparna (16) klickar på plats.
- ◆ Tag loss slangens genom att trycka in spärrknapparna och dra ut slangens.

VO1700/VO1700A - Montering av röret (fig. D)

- ◆ Skjut in det nedre röret (17) stadigt i det övre röret (18) tills de sitter stadigt.

Anslutning av röret (fig. E)

- ◆ Tryck in slangens munstycke (19) i röret (6).
- ◆ Avlägsna röret genom att dra ut röret ur munstycket.

Montering av sugmunstycket (fig. F)

Med sugmunstycket (7) kan du dammsuga både mattor och hårda ytor (t.ex. laminat och kakel).

- ◆ Tryck in röret (6) i munstycket (7).
- ◆ Avlägsna munstycket genom att dra ut röret ur munstycket.

VO1710 - Montering av munstycket för parkettgolv (fig. F)

Med parkettmunstycket (13) kan du dammsuga trä- och polerade ytor.

- ◆ Tryck in röret (6) i munstycket (13).

- ◆ Avlägsna munstycket genom att dra ut röret ur munstycket.

Montering av tillbehör (fig. F & G)

Med elementmunstycket (10) kan du dammsuga på trånga och svåråtkomliga platser. Med borstmunstycket (11) kan du dammsuga möbler, persienner, gardiner, fönster och trappor. Tillbehören kan monteras både på slangens (4) och på röret (6). När de inte används kan tillbehören förvaras i hållaren (12).

- ◆ Tag ut tillbehöret ur hållaren (fig. G).
- ◆ Tryck fast tillbehöret på slangens munstycke (19) eller på röret (6) (fig. F).
- ◆ För att avlägsna ett tillbehör drar du lös det från slangmunstycket eller röret.

Användning

Upp- och avlindning av sladden (fig. A)

Du kan trycka på sladdens upplindningsknapp (2) med handen eller foten.

- ◆ Dra ut en tillräckligt lång del av sladden ur apparaten.
- ◆ Tryck efter bruk på upplindningsknappen så att sladden dras tillbaka i apparaten. Led sladden för hand så att den inte svänger tillbaka. Se till att kontakten kommer på plats ordentligt.

VO1710 - Anpassning av rörets längd (fig. H)

Förlängningsröret (6) kan anpassas så här:

- ◆ Tryck på knappen (20) och skjut röret till önskad längd.
- ◆ Släpp knappen.

Inställning av sugmunstycket (fig. F)

- ◆ För dammsugning av mattor sätter du borstreglaget (21) i uppdraget läge.
- ◆ För att dammsuga laminat, kakelplattor etc. sätter du borstreglaget i nedfällt läge.

Start och stopp (fig. A)

Du kan trycka på strömbrytaren (1) med handen eller foten.

- ◆ Starta apparaten genom att trycka på strömbrytaren (1).
- ◆ Stäng av apparaten genom att trycka på strömbrytaren igen.

Justering av luftflödet (fig. I)

Flytta flödesreglaget (5) för att ställa in önskat luftflöde.

Dammsugning

- ◆ Se medan du arbetar med apparaten till att slangens inte fastnar, vrids eller blockeras.
- ◆ Vid överhettning aktiveras en termisk brytare och apparaten stängs av automatiskt.
- ◆ Om maskinen slutar fungera, dra ur kontakten och låt maskinen svalna 2-3 timmar innan arbetet fortsätts.

Råd för bästa resultat

- ◆ Börja alltid längst ned och arbeta uppåt när du dammsuger trappor. Ställ apparaten på golvet och dammsug trappan upp till hälften. Ställ sedan apparaten på en plats där den står stadigt, minst ett trappsteg lägre än där du arbetar, och dammsug den övre hälften av trappan.

Förflyttning av apparaten (fig. A)

Bär apparaten i handtaget (3) när du använder den.

Tillfällig parkering av sugmunstycket (fig. J)

- ◆ Använd parkeringsläget (22) för att tillfälligt parkera sugmunstycket.

Förvaring av apparaten (fig. K)

Varning! Stäng av apparaten och drag ut kontakten innan den ställs undan.

- ◆ Kontrollera att sladden är helt upplindad.
- ◆ Ställ apparaten upprätt.
- ◆ Parkera röret i parkeringsläget (28).
- ◆ Förvara apparaten i ett torrt utrymme.

Underhåll

Detta Black & Decker-verktyg har tillverkats för att fungera under lång tid med minimalt underhåll. Med rätt underhåll och regelbunden rengöring behåller apparaten sina prestanda.

Varning! Drag ut kontakten ur vägguttaget innan du utför någon skötsel eller rengör apparaten.

- ◆ Rengör apparatens luftintag regelbundet med en mjuk borste eller torr trasa.
- ◆ Rengör kåpan regelbundet med en fuktig trasa. Använd aldrig rengöringsmedel med lösnings- eller slipmedel i.

Tömning av behållaren (fig. L & M)

Behållaren (8) måste tömmas när max-märket är nått.

- ◆ Avlägsna slangen.
- ◆ Tryck på spärrknappen (30).
- ◆ Lyft locket (31) tills den spärras på plats (fig. L).
- ◆ Håll behållaren i handtaget (29). Tag ut behållaren (8) ur apparaten.
- ◆ Håll behållaren ovanför en skräpbehållare.
- ◆ Tryck på spärrknappen (32) för att öppna behållaren (fig. M). Töm behållaren på lämpligt sätt.
- ◆ Stäng foten (33) genom att föra den uppåt tills spärren griper.
- ◆ Sätt tillbaka behållaren i apparaten.
- ◆ Stäng locket tills det spärras på plats.

Rengöring

Varning! Före rengöring och underhåll skall du stänga av apparaten och dra ut sladden.

- ◆ Torka apparaten då och då med en fuktig trasa. Använd aldrig rengöringsmedel med lösnings- eller slipmedel i. Doppa aldrig apparaten i vatten.

Rengöring av behållarfiltret (fig. L - O)

Behållarens filter hindrar damm och smuts från att tränga in i motorhuset. Filtret är återanvändbart. För att bibehålla en effektiv uppsugningsförmåga bör filtret rengöras varje vecka, eller närhelst uppsugningsförmågan märkbart minskat. Verktuget är försett med en överströmningsventil. Om filtret är igentäppt hörs det att ventilen arbetar. Det är normalt och tyder inte på något problem. Stäng av verktuget och dra ur kontakten innan filterna rengörs.

- ◆ Avlägsna behållaren (8) från apparaten (fig. L).
- ◆ Töm behållaren (fig. M)
- ◆ Avlägsna kassetten (34) genom att vrida den moturs (fig. N).
- ◆ Lossa filtret (35) och tag ut det ur behållaren.
- ◆ Skaka ut dammet genom att slå filtret försiktigt mot insidan av en soptunna.

Varning! Rengör aldrig filtret med en borste eller tryckluft.

- ◆ Om filtret är mycket smutsigt kan du skölja av det på utsidan med vatten. Låt filtret torka i 24 timmar innan det sätts tillbaka.

Varning! Tvätta inte insidan av filtret.

- ◆ Tag ut filterenheten (36) som sitter under gallret och borsta bort allt löst damm innan du sätter tillbaka det (fig. O).
- ◆ Sätt tillbaka behållarfiltret och sätt fast det.
- ◆ Sätt tillbaka kassetten.
- ◆ Stäng behållaren när du har satt tillbaka filtret.
- ◆ Sätt tillbaka behållaren i apparaten.

Rengöring av motorns filter (fig. L & P)

Motorns filter hindrar dammpartiklar och större föremål från att tränga in i motorhuset när behållaren avlägsnas. Filtret kan återanvändas och ska rengöras regelbundet.

- ◆ Öppna locket (31) (fig. L).
- ◆ Tag ut filtret (37) (fig. P).
- ◆ Borsta bort eventuellt löst damm från filtret.
- ◆ Sätt tillbaka filtret.
- ◆ Stäng locket.

Byte av filtren (fig. L - Q)

Behållarfiltret ska bytas med intervall på 6 till 9 månader, eller vid behov om det är utslitet eller skadat. När du byter behållarens filter måste även motorns och utloppets filter bytas ut. Nya filtersatser finns hos din Black & Decker återförsäljare.

Byte av behållarfiltret (fig. L - O)

- ◆ Följ ovanstående beskrivning för byte av filtren.

Byte av motorns filter (fig. L & P)

- ◆ Följ ovanstående beskrivning för byte av filtret.

VO1700A - Byte av utloppsfiltret (fig. Q)

- ◆ Öppna kåpan (38).
- ◆ Avlägsna det gamla filtret (39).

- ◆ Placera det nya filtret enligt bilden.
- ◆ Stäng kåpan.

VO1700/VO1710 - Byte av HEPA-filtret (fig. Q)

HEPA-filtret reducerar mängden damm som kommer ut ur motorhuset till ett minimum.

- ◆ Följ ovanstående beskrivning för byte av filtret.

Miljöskydd



Särskild insamling. Denna produkt får inte kastas bland vanliga hushållssopor.

Om du någon gång i framtiden behöver ersätta din Black & Decker-produkt med en ny, eller inte längre behöver den, ska du inte kasta den i hushållssoporna. Denna produkt skall lämnas till särskild insamling.



Efter insamling av använda produkter och förpackningsmaterial kan materialen återvinnas och användas på nytt. Användning av återvunna material skönar miljön och minskar förbrukningen av råvaror.

Enligt lokal lagstiftning kan det förekomma särskilda insamlingar av uttjänt elutrustning från hushåll, antingen vid kommunala miljöstationer eller hos detaljhandlaren när du köper en ny produkt.

Black & Decker erbjuder en insamlings- och återvinningstjänst för Black & Decker-produkter när de en gång har tjänat ut. För att använda den här tjänsten lämnar du in produkten till en auktoriserad B & D -reparatör/representant som tar hand om den för din räkning.

Närmaste auktoriserad Black & Decker-representant finner du genom det lokala Black & Decker-kontoret på adressen i den här manualen. Annars kan du söka på Internet, på listan över auktoriserade Black & Decker-representanter och alla uppgifter om vår kundservice och andra kontakter.
www.2helpU.com

Tekniska data

	VO1700	VO1700A VO1710
Spänning	V 230	230
Ineffekt	W 1.700	1.700
Sladdens längd	m 4,5	5
Behållarens volym	l 2,5	2,5
Vikt	kg 7	7

EC-förklaring om överensstämmelse

VO1700/VO1700A/VO1710

Black & Decker förklarar att dessa produkter överensstämmer med:

89/336/EEG, 73/23/EEG, EN 55014, EN 61000, EN 60335

Bullernivå, uppmätt enligt EN 60704-1: 71 dB(A)

Kevin Hewitt
Director of Consumer Engineering
Spennymoor, County Durham DL16 6JG,
Storbritannien
1-12-2006

Tillverkningsdokument (EU): 351606-0001

Reservdelar / reparationer

Reservdelar finns att köpa hos auktoriserade Black & Decker verkstäder, som även ger kostnadsförslag och reparerar våra produkter.

Förteckning över våra auktoriserade verkstäder finns på Internet, vår hemsida **www.blackanddecker.se** samt **www.2helpU.com**

Garanti

Black & Decker garanterar att produkten är fri från material- och/eller fabrikationsfel vid leverans till kund. Garantin är i tillägg till konsumentens lagliga rättigheter och påverkar inte dessa. Garantin gäller inom medlemsstaterna i Europeiska Unionen och i det Europeiska Frihandelsområdet.

Om en Black & Decker produkt går sönder på grund av material- och/eller fabrikationsfel eller brister i överensstämmelse med specifikationen, inom 24 månader från köpet, åtar sig Black & Decker att reparera eller byta ut produkten med minsta besvär för kunden.

Garantin gäller inte för fel som beror på:

- ◆ normalt slitage
- ◆ felaktig användning eller skötsel
- ◆ att produkten skadats av främmande föremål, ämnen eller genom olyckshändelse

Garantin gäller inte om reparation har utförts av någon annan än en auktoriserad Black & Decker verkstad.

För att utnyttja garantin skall produkten och inköpskvittot lämnas till återförsäljaren eller till en auktoriserad verkstad senast 2 månader efter det att felet har upptäckts.

För information om närmaste auktoriserad verkstad; kontakta det lokala Black & Decker kontoret på den adress som är angiven i bruksanvisningen. En lista på alla auktoriserade verkstäder samt servicevillkor finns även tillgängligt på Internet, adress: www.2helpU.com

Besök vår webbplats www.blackanddecker.se för att registrera din nya Black & Decker-produkt samt för att erhålla information om nya produkter och specialerbjudanden. Vidare information om märket Black & Decker och vårt produktsortiment kan återfinnas på www.blackanddecker.se

Bruksområder

Denne støvsugeren fra Black & Decker er beregnet på støvsuging på tørt materiale.

Apparatet er kun ment for bruk i hjemmet.

Sikkerhetsinstruksjoner

- ◆ **Advarsel!** Ved bruk av elektriske apparater som er koblet til strømmettet, må du alltid følge en del grunnleggende sikkerhetsregler, deriblant følgende, for å redusere faren for brann, elektrisk støt, personskade og materialskade.
- ◆ Les hele denne bruksanvisningen nøye før du bruker apparatet.
- ◆ Bruksanvisningen beskriver hvordan apparatet skal brukes. Bruk bare tilbehør og utstyr til dette apparatet som anbefales i bruksanvisningen. Bruk av annet tilbehør eller utstyr kan medføre risiko for personskade.
- ◆ Ta vare på denne bruksanvisningen for fremtidig bruk.

Bruk av apparatet

- ◆ Kontroller at apparatet er slått av før du kobler det til eller fra strømforsyningen.
- ◆ Vær alltid forsiktig når du bruker apparatet.
- ◆ Apparatet må ikke brukes utendørs.
- ◆ Ikke trekk i ledningen når du skal koble kontakten fra støpslet. Ikke utsett strømledningen for varme, olje eller skarpe kanter.
- ◆ Hvis strømkabelen skades under bruk, må du umiddelbart koble fra strømtilførselen til apparatet. Ikke berør strømledningen før du har koblet fra strømtilførselen.
- ◆ Apparatet må kobles fra strømtilførselen når det ikke er i bruk, før montering eller fjerning av deler, og før rengjøring av apparatet.

Andre personers sikkerhet

- ◆ La aldri barn eller personer som ikke har lest denne bruksanvisningen bruke apparatet.
- ◆ Ikke la barn eller dyr komme i nærheten av arbeidsområdet eller berøre apparatet eller strømledningen. Vær ekstra oppmerksom når apparatet brukes i nærheten av barn.

Etter bruk

- ◆ Slå av apparatet og trekk ut kontakten før du forlater det og før du skifter, rengjør eller kontrollerer noen av delene i det.
- ◆ Når apparatet ikke er i bruk, må det oppbevares på et tørt sted. Apparatet skal oppbevares utilgjengelig for barn.

Kontroll og reparasjon

- ◆ Før bruk må du kontrollere apparatet for skadde eller defekte deler. Kontroller også at det ikke finnes deler med brist, at bryterne ikke er skadet og eventuelle andre forhold som kan påvirke driften av apparatet.

- ◆ Bruk aldri apparatet hvis noen av delene er skadde eller defekte.
- ◆ Ved skade eller feil må delene repareres eller byttes ut av et autorisert serviceverksted.
- ◆ Før bruk må du kontrollere om strømledningen er skadet, for gammel eller slitt.
- ◆ Bruk ikke apparatet hvis strømkabelen eller støpslet er skadet eller defekt.
- ◆ Hvis strømledningen eller støpslet er skadet, må de repareres av en autorisert tekniker for å unngå enhver risiko. Ikke kutt strømledningen, og ikke forsøk å reparere den selv.
- ◆ Prøv aldri å fjerne eller bytte andre deler enn de som er angitt i denne bruksanvisningen.

Elektrisk sikkerhet



Dette apparatet er dobbeltisolert. Derfor er ikke jording nødvendig. Kontroller at nettspenningen er i overensstemmelse med spenningen på typeskiltet.

- ◆ Dette apparatet er ikke beregnet for bruk av unge eller uerfarne personer uten tilsyn. Barn må ha tilsyn for å sikre at de ikke leker med apparatet.
- ◆ Hvis strømledningen skades, må den skiftes ut av fabrikanten eller et autorisert Black & Decker servicesenter for å unngå fare.

Ekstra sikkerhetsinstruksjoner for støvsugere

- ◆ Før bruk bør du alltid kontrollere at filterne er riktig monterte. Bruk aldri apparatet uten at alle filterne er på plass.
- ◆ Ikke bær apparatet i håndtaket til beholderen.
- ◆ Apparatet må ikke brukes til å suge opp væske.
- ◆ Apparatet må ikke brukes til å suge opp materialer som kan ta fyr.
- ◆ Apparatet må ikke brukes i nærheten av vann. Apparatet må ikke dyppes i vann.
- ◆ Unngå å få luftstrømmen fra motoren i øynene og ansiktet.
- ◆ Hold barn og dyr på trygg avstand når du bruker dette apparatet.
- ◆ Arbeid alltid nedenfra og opp når du bruker apparatet i trapper, og ha apparatet minst ett trinn under din arbeidsposisjon.
- ◆ Vær alltid oppmerksom på hvor du har strømledning og slange når du bruker apparatet.
- ◆ Ikke bruk apparatet uten sugemunnstykket eller annet egnet tilbehør montert på slangen.
- ◆ Etter bruk bør strømledningen rulles sammen og apparat og ledning lagres på ryddig vis.
- ◆ Hold hår, klær og hansker unna bevegelige deler.

- ◆ Bruk ikke tilbehør som er skadet.
- ◆ Bruk bare tilbehør fra Black & Decker.

Egenskaper

Dette apparatet har noen av eller alle følgende funksjoner (fig. A):

1. Strømbryter
2. Knapp for ledningsspole
3. Håndtak
4. Slange
5. Bryter for kontroll av luftstrøm
6. Rør
7. Sugemunnstykke
8. Beholder
9. Hjul

I tillegg er dette apparatet utstyrt med noe av eller alt følgende tilbehør (fig. B):

10. Radiatormunnstykke
11. Børstemunnstykke
12. Holder for tilbehør
13. Munnstykke til parkettgulv (VO1710)

Munnstykket for parkettgulv er ikke inkludert for alle modeller. Dette tilbehøret kan fås fra Black & Decker-forhandleren eller servicesenteret.

Montering

Koble til slangen (fig. C)

- ◆ Sett slangekoplingen (15) inn i inntaket (14) på støvsugerens.
- ◆ Skyv slangen inn helt til utløserknappene (16) klikker på plass.
- ◆ For å kople fra slangen trykker du på utløserknappene og trekker ut slangen.

VO1700/VO1700A - Montering av røret (fig. D)

- ◆ Skyv nedre rør (17) godt inn i øvre rør (18), helt til de sitter godt i hverandre.

Tilkopling av røret (fig. E)

- ◆ Skyv slangemunnstykket (19) inn i røret (6).
- ◆ Hvis du skal fjerne røret, trekker du bare slangen ut av røret.

Montering av sugemunnstykket (fig. F)

Sugemunnstykket (7) brukes til støvsuging på tepper og harde overflater (f.eks. laminat og fliser).

- ◆ Skyv røret (6) inn i munnstykket (7).
- ◆ Hvis du skal fjerne munnstykket, trekker du bare slangen ut av munnstykket.

VO1710 - Montering av munnstykket for parkettgulv (fig. F)

Munnstykket for parkettgulv (13) brukes til støvsuging på tregulv og polerte overflater.

- ◆ Skyv røret (6) inn i munnstykket (13).
- ◆ Hvis du skal fjerne munnstykket, trekker du bare slangen ut av munnstykket.

Montering av tilbehør (fig. F & G)

Radiatormunnstykket (10) brukes til støvsuging på smale og vanskelig tilgjengelige steder. Børstemunnstykket (11) brukes til støvsuging av møbler, persiener, gardiner, vinduer og i trapper. Tilbehøret kan monteres både på slangen (4) og på røret (6). Når tilbehøret ikke er i bruk, kan det oppbevares i tilbehørsholderen (12).

- ◆ Fjern tilbehøret fra holderen (fig. G).
- ◆ Skyv tilbehøret inn på slangemunnstykket (19) eller røret (6) (fig. F).
- ◆ For å fjerne tilbehøret trekkes det bare av slangemunnstykket eller røret.

Bruk

Dra ut og rulle inn ledningen (fig. A)

Knappen for ledningsspole (2) kan betjenes med en hånd eller fot.

- ◆ Trekk ut en tilstrekkelig lengde av ledningen fra baksiden av apparatet.
- ◆ Etter bruk trykker du på spoleknappen for å rulle inn ledningen igjen. Hjelp til med hånden for å unngå sleng på ledningen. Kontroller at kontakten er riktig plassert.

VO1710 - Justering av lengden på røret (fig. H)

Forlengelsesrøret (6) kan justeres på følgende vis:

- ◆ Trykk inn justeringsknappen (20) og skyv røret til ønsket lengde.
- ◆ Slipp knappen.

Justering av sugemunnstykket (fig. F)

- ◆ For støvsuging på tepper setter du børsteutløseren (21) i hevet stilling.
- ◆ For støvsuging på laminater, fliser osv. setter du børsteutløseren i senket stilling.

Start og stopp (fig. A)

Strømbryteren (1) kan betjenes med en hånd eller fot.

- ◆ Trykk på strømbryteren (1) for å slå verktøyet på.
- ◆ Trykk på strømbryteren en gang til for å slå av apparatet.

Justering av luftstrømmen (fig. I)

Beveg bryteren for kontroll av luftstrøm (5) for å justere luftstrømmen slik du ønsker.

Støvsuging

- ◆ Når du bruker apparatet, må du passe på at slangen ikke setter seg fast, blir vridd eller blokkert.
- ◆ I tilfelle overoppheting vil motoren koples ut og apparatet stoppe automatisk.
- ◆ Hvis apparatet slutter å virke bør du koble fra strømledningen og la apparatet kjøles ned i 2-3 timer før du fortsetter.

Råd for optimalt resultat

- ◆ Når du støvsuger i trapper, bør du alltid begynne nederst og arbeide deg oppover. Plasser apparatet på gulvet, og støvsug trappene halvveis opp. Deretter løfter du apparatet til en stabil stilling minst ett trinn under arbeidsposisjonen din, og støvsuger øvre halvdel av trappen.

Løfting av apparatet (fig. A)

Under bruk kan apparatet bæres i håndtaket (3).

Midlertidig parkering av sugemunnstykket (fig. J)

- ◆ Bruk parkeringsstillingen (22) for en midlertidig parkering av sugemunnstykket.

Oppbevaring av apparatet (fig. K)

Advarsel! Når apparatet skal oppbevares, må du slå det av og koble fra strømforsyningen.

- ◆ Kontroller at ledningen er rullet helt inn.
- ◆ Plasser apparatet i stående stilling.
- ◆ Sett røret i parkeringsstillingen (28).
- ◆ Oppbevar apparatet på et tørt sted.

Vedlikehold

Dette Black & Decker-apparat er konstruert for å være i drift over en lang periode med et minimum av vedlikehold. Med riktig vedlikehold og regelmessig rengjøring opprettholder apparatet ytelsen.

Advarsel! Før du utfører vedlikehold eller rengjøring på apparatet, må du koble fra strømforsyningen.

- ◆ Rengjør luftinntaket på apparatet regelmessig med en myk børste eller en tørr klut.
- ◆ Rengjør motorhuset regelmessig med en fuktig klut. Ikke bruk slipende eller løsemiddelbaserte rengjøringsmidler.

Tømming av beholderen (fig. L & M)

Beholderen (8) må tømmes når man kan se at beholderen er full.

- ◆ Fjern slangen.
- ◆ Trykk på utløserknappen (30).
- ◆ Løft lokket (31) inntil det låses i hevet stilling (fig. L).
- ◆ Hold beholderen i håndtaket (29). Ta beholderen (8) ut av apparatet.
- ◆ Hold beholderen over en søppelkasse.

- ◆ Trykk ned utløserknappen (32) for å åpne beholderen (fig. M). Tøm beholderen om nødvendig.
- ◆ Lukk bunnen (33) ved å løfte den opp inntil den klikker på plass i låsen.
- ◆ Sett beholderen i apparatet igjen.
- ◆ Lukk lokket slik at det klikker på plass.

Rengjøring

Advarsel! Før rengjøring og vedlikehold må du slå av apparatet og trekke ut kontakten.

- ◆ Fra tid til annen bør du tørke av apparatet med en fuktig klut. Ikke bruk slipende eller løsemiddelbaserte rengjøringsmidler. Apparatet må ikke dypes i vann.

Rengjøring av beholderfiltret (fig. L - O)

Beholderfiltret forhindrer at støv og smuss kommer inn i motorhuset. Filteret kan brukes om igjen. For å opprettholde effektiv sugelytelse bør filtret gjøres rent hver uke, eller hver gang sugelytelsen reduseres merkbar. Dette apparatet er utstyrt med en bypassventil. Når filtret er blokkert, vil man kunne høre at ventilen aktiveres. Dette er normalt og betyr ikke at noe er feil. Slå av verktøyet og trekk støpslet ut av kontakten før filtre skal rengjøres.

- ◆ Ta beholderen (8) ut av apparatet (fig. L).
- ◆ Tøm beholderen (fig. M)
- ◆ Fjern innsatsen (34) ved å vri den mot klokka (fig. N).
- ◆ Løsne filtret (35) og fjern det fra beholderen.
- ◆ Fjern overflødig støv ved å dunke i filtret over en søppelkasse.

Advarsel! Ikke bruk børste eller trykkluft til å rengjøre filtret.

- ◆ Skyll utsiden av filtret med vann om nødvendig. La filtret tørke i 24 timer før du setter det på plass igjen.

Advarsel! Ikke vask innsiden av filtret.

- ◆ Ta ut filteret (36) som er plassert rett under gitteret, og børst av løstsittende støv før du setter det på plass igjen (fig. O).
- ◆ Sett tilbake beholderfiltret og stram til.
- ◆ Sett innsatsen tilbake på plass.
- ◆ Lukk beholderen når filtret sitter på plass.
- ◆ Sett beholderen i apparatet igjen.

Rengjøring av motorfilteret (fig. L & P)

Motorfilteret forhindrer at partikler og større gjenstander kommer inn i motorhuset når beholderen tas av. Filtret kan brukes mange ganger og bør rengjøres jevnlig.

- ◆ Åpne lokket (31) (fig. L).
- ◆ Ta ut filteret (37) (fig. P).
- ◆ Børst av eventuelt løst støv på filtret.
- ◆ Sett tilbake filtret.
- ◆ Lukk dekslet.

Bytte filtre (fig. L - Q)

Beholderfiltret må skiftes etter 6 til 9 måneder, og alltid når det er slitt eller skadet. Når du bytter beholderfilter, må du samtidig bytte motorfilter og utslippsfilter. Nye filtersett kan anskaffes hos din Black & Decker-forhandler.

Bytte beholderfilteret (fig. L - O)

- ◆ Gå frem som beskrevet ovenfor for å skifte filtrene.

Bytte motorfilteret (fig. L & P)

- ◆ Gå frem som beskrevet ovenfor for å skifte filtret.

VO1700A - Bytte utslippsfilteret (fig. Q)

- ◆ Åpne dekslet (38).
- ◆ Fjern det gamle filter (39).
- ◆ Sett inn det nye filter som vist.
- ◆ Lukk dekslet.

VO1700/VO1710 - Bytte HEPA-filteret (fig. Q)

HEPA-filteret reduserer støvmengden som kommer ut av motorhuset, til et minimum.

- ◆ Gå frem som beskrevet ovenfor for å skifte filtret.

Miljøvern

Kildesortering. Dette produktet må ikke kastes i det vanlige husholdningsavfallet.

Hvis du finner ut at Black & Decker-produktet ditt må skiftes ut, eller hvis du ikke lenger har bruk for det, må du unnlåte å kaste det sammen med det vanlige husholdningsavfallet.

Sørg for at dette produktet gjøres tilgjengelig for kildesortering.



Kildesortering av brukte produkter og emballasje gjør det mulig å resirkulere materialer og bruke dem igjen. Gjenbruk av resirkulerte materialer bidrar til å forhindre forsøpling av miljøet og reduserer behovet for råmaterialer.

Lokale regelverk kan legge tilrette for kildesortering av elektriske produkter fra husholdningen, ved kommunale deponier eller gjennom forhandleren når du kjøper et nytt produkt.

Black & Decker har tilrettelagt for innsamling og resirkulering av Black & Decker-produkter etter at de har utspilt sin rolle. Ønsker du å benytte deg av denne tjenesten, returnerer du produktet ditt til et autorisert serviceverksted, som tar det imot og formidler det videre.

Du kan få adressen til ditt nærmeste autoriserte serviceverksted ved å kontakte ditt lokale Black & Decker-kontor på adressen oppgitt i denne håndboken. Du kan også finne en komplett liste over autoriserte Black & Decker-serviceverksteder og utfyllende informasjon om vår etter salg-service og kontaktnumre på Internett på følgende adresse: www.2helpU.com

Tekniske data

	VO1700	VO1700A VO1710
Spenning	V 230	230
Inn-effekt	W 1.700	1.700
Kabellengde	m 4,5	5
Beholderstørrelse	l 2,5	2,5
Vekt	kg 7	7

Samsvarserklæring for EU

VO1700/VO1700A/VO1710

Black & Decker erklærer at disse produktene overholder: 89/336/EØF, 73/23/EØF, EN 55014, EN 61000, EN 60335

Lydnivået, målt i henhold til EN 60704-1: 71 dB(A)

Kevin Hewitt
Adm. dir. for forbrukerteknikk
Spennymoor, County Durham DL16 6JG,
Storbritannia
1-12-2006

Europeisk designregistreringsnummer 351606-0001

Reservdeler / reparasjoner

Reservdeler kan kjøpes hos autoriserte Black & Decker serviceverksteder, som også gir kostnadsoverslag og reparerer våre produkter.

Oversikt over våre autoriserte serviceverksteder finnes på Internett, vår hjemmeside www.blackanddecker.no samt www.2helpU.com

Garanti

Black & Decker garanterer at produktet ikke har material- og/eller fabrikkasjonsfeil ved levering til kunde. Garantien er i tillegg til kundens lovlige rettigheter og påvirker ikke disse. Garantien gjelder innen medlemsstatene i den Europeiske Unionen og i det Europeiske Frihandelsområdet.

Hvis et Black & Decker produkt går i stykker på grunn av material- og/eller fabrikkasjonsfeil eller har mangler i forhold til spesifikasjonene, innen 24 måneder fra kjøpet, påtar Black & Decker seg å reparere eller bytte ut produktet med minst mulig vanskelighet for kunden.

Garantien gjelder ikke for feil som kommer av:

- ◆ normal slittasje
- ◆ feilaktig bruk eller vedlikehold (mislighold)
- ◆ at produktet har blitt skadet av fremmede gjenstander, emner eller ved et uhell

Det gjøres oppmerksom på at produktet ikke er beregnet på industriell/profesjonell/yrkesmessig bruk, men til hus- og hjemmebruk.

Garantien gjelder ikke om reparasjoner har blitt utført av noen andre enn et autorisert Black & Decker serviceverksted.

For å ta garantien i bruk skal produktet og kjøpekvitteing leveres til forhandleren eller til et autorisert serviceverksted senest 2 måneder etter at feilen har blitt oppdaget.

For informasjon om nærmeste autoriserte serviceverksted; kontakt det lokale Black & Decker kontoret på den adressen som er angitt i bruksanvisningen. En oversikt over alle autoriserte serviceverksteder samt servicevilkår finnes også tilgjengelig på Internet, adresse: www.2helpU.com

Vennligst stikk innom våre nettsider på

www.blackanddecker.no for å registrere ditt nye

Black & Decker-produkt og for å holde deg oppdatert om nye produkter og spesialtilbud. Du finner mer informasjon om Black & Decker og produktutvalget vårt på

www.blackanddecker.no

Anvendelsesområde

Din Black & Decker-støvsuger er til opslugning af tørre stoffer. Produktet er kun beregnet til husholdningsbrug.

Sikkerhedsinstruktioner

- ◆ **Advarsel!** Ved brug af elektriske apparater skal de grundlæggende sikkerhedsforanstaltninger, inkl. nedenstående, altid følges, således at risikoen for brand, elektrisk stød samt person- og materialeskader begrænses.
 - ◆ Læs denne brugsanvisning omhyggeligt igennem, inden apparatet tages i brug.
 - ◆ Apparatet skal bruges som beskrevet i denne brugsanvisning. Anvendelsen af andet tilbehør eller en anden anordning til dette apparat eller udførelse af andre opgaver end de her anbefalede kan medføre risiko for personskader.
 - ◆ Opbevar denne brugsanvisning til fremtidig brug.

Brug af apparatet

- ◆ Sørg for at apparatet er slukket før du tilslutter det til strømforsyningen eller afbryder den.
- ◆ Vær altid omhyggelig, når du bruger apparatet.
- ◆ Brug ikke apparatet udendørs.
- ◆ Træk aldrig i ledningen, når du skal tage stikket ud af kontakten. Ledningen skal holdes på afstand af varme, olie og skarpe kanter.
- ◆ Hvis ledningen beskadiges ved brugen, skal apparatet straks afbrydes ved kontakten. Rør ikke ved el-ledningen, før stikket er trukket ud af kontakten.
- ◆ Afbryd apparatet ved stikkontakten, når det ikke er i brug, før du monterer eller fjerner dele fra det, og før du rengør det.

Andres sikkerhed

- ◆ Tillad ikke børn eller personer, der ikke har læst denne brugsanvisning, at arbejde med apparatet.
- ◆ Børn eller dyr må ikke nærme sig arbejdsområdet eller røre ved apparatet eller ledningen. Tæt overvågning er nødvendig, når apparatet bruges i nærheden af børn.

Efter brug

- ◆ Sluk for apparatet, og tag stikket ud af kontakten, før apparatet efterlades ubevogtet, samt før en eller flere dele skal ændres, renses eller undersøges.
- ◆ Når apparatet ikke er i brug, skal det opbevares et tørt sted. Børn må ikke have adgang til opbevarede apparater.

Undersøgelse og reparation

- ◆ Før brug skal apparatet kontrolleres for skader eller defekte dele. Kontroller for brud på delene, for skader på knapper og andet, der kan have indflydelse på apparatets funktion.

- ◆ Apparatet må ikke benyttes, hvis nogen af delene er beskadigede eller defekte.
- ◆ Skadede eller defekte dele skal repareres eller udskiftes af en autoriseret tekniker.
- ◆ Før brug kontrolleres ledningen for tegn på skader, ældning og slid.
- ◆ Brug ikke apparatet, hvis ledningen eller stikket er beskadiget eller defekt.
- ◆ Hvis elledningen eller stikket er beskadiget eller defekt, skal den repareres af en autoriseret reparatør for at undgå ulykker. Skær ikke i ledningen, og forsøg ikke selv at reparere den.
- ◆ Forsøg aldrig at fjerne eller udskifte andre dele end dem, der er specificeret i denne brugsanvisning.

El-sikkerhed



Denne maskine er dobbelt isoleret. Derfor er jordledning ikke nødvendig. Kontroller altid, at strømforsyningen svarer til spændingen på typeskiltet.

- ◆ Dette apparat er ikke beregnet til at blive betjent af unge eller uerfarne personer uden opsyn. Der skal være opsyn med børn for at sikre, at de ikke leger med maskinen.
- ◆ Hvis el-ledningen er skadet, skal den udskiftes af producenten eller et autoriseret Black & Decker servicecenter for at undgå ulykker.

Supplerende sikkerhedsinstruktioner for støvsugere

- ◆ Før brug, vær altid sikker på at filteret er monteret rigtigt. Brug ikke værktøjet uden at alle filtre er monteret.
- ◆ Bær ikke apparatet i beholderhåndtaget.
- ◆ Brug ikke apparatet til at suge væsker op med.
- ◆ Brug ikke apparatet til at tage letantændelige materialer op med.
- ◆ Brug ikke apparatet i nærheden af vand. Dyp ikke apparatet ned i vand.
- ◆ Hold motoren på afstand af ansigtet og øjnene.
- ◆ Hold børn og dyr på sikker afstand af apparatet, når det bruges.
- ◆ Arbejd altid nedefra og op, når du bruger apparatet på trapper. Det skal stå mindst ét trin neden for det trin, som du selv står på.
- ◆ Vær altid opmærksom på placeringen af ledningen under drift med værktøjet.
- ◆ Brug ikke apparatet, uden at sugemundstykket eller andet passende tilbehør er sat på røret.
- ◆ Efter brug rulles ledningen helt op og værktøjet opbevares på en ordentlig måde.
- ◆ Hold hår, tøj og handsker væk fra dele, der bevæger sig.

- ◆ Brug ikke beskadiget tilbehør.
- ◆ Brug udelukkende Black & Decker-tilbehør.

Funktioner

Denne maskine består af nogle af følgende dele eller alle (fig. A)

1. Afbryder
2. Knap til ledningsoprulning
3. Håndtag
4. Slange
5. Luftstrømskontrolkontakt
6. Skaft
7. Sugemundstykke
8. Beholder
9. Hjul

Desuden leveres dette apparat med noget af følgende tilbehør eller det hele (fig. B):

10. Sprækkemundstykke
11. Børstemundstykke
12. Tilbehørholder
13. Parketmundstykke (VO1710)

Parketmundstykket følger ikke med alle modeller.

Dette tilbehør fås hos en Black & Decker-forhandler/servicecenter.

Montering

Tilslutning af slangen i (fig. C)

- ◆ Sæt slangetilslutningen (15) i indgangen (14) på apparatet.
- ◆ Tryk slangen ind, indtil udløserknapperne (16) klikker på plads.
- ◆ Slangen tages af ved at trykke på udløserknapperne og trække slangen ud.

VO1700/VO1700A - Samling af forlængerstangen (fig. D)

- ◆ Skub det nederste rør (17) fast ind i det øverste rør (18), indtil det sidder godt fast.

Sætte stangen i (fig. E)

- ◆ Tryk slangespidsen (19) ind i stangen (6).
- ◆ Stangen tages af ved at trække slangen ud af stangen.

Sætte sugemundstykket på (fig. F)

Sugemundstykket (7) er til støvsugning af tæpper og hårde overflader (f.eks. laminat og fliser).

- ◆ Skub stangen (6) ind i åbningen (7).
- ◆ Mundstykket tages af ved at trække stangen ud af mundstykket.

VO1710 - Montering af parketmundstykket (fig. F)

Parketmundstykket (13) er til støvsugning af træoverflader og bonede overflader.

- ◆ Skub stangen (6) ind i åbningen (13).
- ◆ Mundstykket tages af ved at trække stangen ud af mundstykket.

Montering af tilbehør (fig. F & G)

Sprækkemundstykket (10) er til støvsugning på steder, der er snævre og svære at nå. Børstemundstykket (11) er til støvsugning af møbler, skodder, gardiner, vinduer og trapper. Tilbehøret kan både sættes på slangen (4) og på stangen (6). Når tilbehøret ikke bruges, kan det opbevares i tilbehørholderen (12).

- ◆ Tag tilbehøret af holderen (fig. G).
- ◆ Tryk tilbehøret på slangespidsen (19) eller stangen (6) (fig. F).
- ◆ Tilbehøret tages af ved at trække tilbehøret af slangespidsen eller stangen.

Brug

Ud- og oprulning af netledningen (fig. A)

Knappen til ledningsoprulning (2) kan betjenes med hånden eller foden.

- ◆ Træk et passende stykke ledning ud fra apparatets bagende.
- ◆ Efter brugen trækkes ledningen ind i apparatet igen, når du trykker på knappen til ledningsoprulning. Styr ledningen med hånden for at sikre, at den ikke svinger tilbage. Sørg for, at stikket sidder korrekt.

VO1710 - Justering af stanglængden (fig. H)

Forlængerstangen (6) kan justeres som følger:

- ◆ Tryk på knappen (20) og træk stangen ud til den ønskede længde.
- ◆ Slip knappen

Justering af sugemundstykket (fig. F)

- ◆ Til støvsugning af tæpper sættes børsteaktivatoren (21) i op-positionen.
- ◆ Til støvsugning af laminat, fliser osv. skal børsteaktivatoren stå nede.

Start og stop (fig. A)

Til/fra-kontakten (1) kan betjenes med hånden eller foden.

- ◆ Apparatet tændes ved at trykke på til/fra-kontakten (1).
- ◆ Apparatet slukkes ved trykke på til/fra-kontakten (1) igen.

Justering af luftstrømmen (fig. I)

Flyt luftstrømsstyringskontakten (5) for at indstille luftstrømmen efter ønske.

Støvsugning

- ◆ Sørg for, at slangen ikke sidder fast eller er snoet eller blokeret, når du bruger apparatet.

- ◆ Hvis støvsugeren bliver for varm, træder en afbryder i funktion, og apparatet standser automatisk.
- ◆ Hvis værktøjet stopper under drift, så frakoble værktøjet og lad det køle af i 2-3 timer før du fortsætter.

Gode råd til optimalt brug

- ◆ Start altid nedefra og arbejd dig opad, når du støvsuger trapper. Sæt apparatet på gulvet og støvsug halvdelen af trappen. Bær derefter apparatet op og stil det, så det står stabilt, dvs. mindst ét trin neden for din egen arbejdsposition. Støvsug derefter den øverste halvdel af trappen.

Bære apparatet (fig. A)

Under brugen kan apparatet bæres i håndtaget (3).

Midlertidig parkering af sugemundstykket (fig. J)

- ◆ Brug parkeringspositionen (22), når du vil opbevare sugemundstykket midlertidigt.

Opbevaring af maskinen (fig. K)

Advarsel! Sluk for apparatet, og træk stikket ud af kontakten, når apparatet skal opbevares.

- ◆ Kontroller at ledningen er rullet helt op.
- ◆ Stil apparatet i oprejst position.
- ◆ Parker stangen i parkeringspositionen (28).
- ◆ Opbevar apparatet på et tørt sted.

Vedligeholdelse

Din Black & Decker maskine er beregnet til brug i lang tid og med et minimum af vedligeholdelse. Men for at maskinen kan blive ved med at fungere tilfredsstillende, skal den passes godt og rengøres regelmæssigt.

Advarsel! Træk altid stikket ud af kontakten, før du foretager vedligeholdelse eller rengøring.

- ◆ Maskinens ventilationshuller skal regelmæssigt renses med en blød børste eller en tør klud.
- ◆ Man skal regelmæssigt gøre motorhuset rent med en fugtig klud. Man må ikke bruge slibemidler eller opløsningsmidler.

Tømning af beholderen (fig. L & M)

Beholderen (8) skal være tom inden den maksimale punkt nås.

- ◆ Fjern slangen.
- ◆ Tryk på udløserknappen (30).
- ◆ Løft låget (31) indtil det låses på plads (fig. L).
- ◆ Hold beholderen i håndtaget (29). Tag beholderen (8) af apparatet.
- ◆ Hold beholderen over en affaldsspand.
- ◆ Tryk på udløserknappen (32) for at åbne beholderen (fig. M). Tøm beholderen efter behov.
- ◆ Luk bunden (33) ved at føre den opad, indtil låsen kommer på plads i låsemekanismen.

- ◆ Sæt støvbeholderen på plads i apparatet igen.
- ◆ Luk låget, indtil det låses på plads

Rengøring

Advarsel! Før rengøring og vedligeholdelse skal maskinen slukkes og ledningen tages ud af stikkontakten.

- ◆ Tør af og til apparatet af med en fugtig klud. Man må ikke bruge slibemidler eller opløsningsmidler.
- ◆ Dyp ikke apparatet ned i vand.

Rengøring af beholderens filter (fig. L - O)

Beholderens filter forhindrer støv og snavs i at trænge ind i motorhuset. Filteret kan genbruges. For at vedligeholde tilstrækkelig sugsevne skal filteret rengøres hver uge eller når sugsevne er reduceret mærkbart. Apparatet er monteret med en bypass-ventil. Når filteret er tilstoppet er driften af ventilen synlig. Det er normalt og er ikke noget problem. Sluk apparatet og fjern stikket fra kontakten før rengøring af filteret.

- ◆ Fjern beholderen (8) fra apparatet (fig. L).
- ◆ Tømning af beholderen (fig. M)
- ◆ Fjern indsatsen (34) ved at dreje den mod uret (fig. N).
- ◆ Løsn filteret (35) og tag det ud af beholderen.
- ◆ Ryst filteret fri for støv ved at slå det ned i en affaldsbeholder.

Advarsel! Der må ikke bruges børster eller trykluft til rengøring af filteret.

- ◆ Hvis filterets tilstand kræver det, kan det skylles på ydersiden med vand. Lad det tørre i 24 timer, før det monteres igen.

Advarsel! Indersiden af filteret må ikke vaskes.

- ◆ Tag filterholderen (36) der sidder lige under risten ud og børst alt løst støv af, før du sætter den ind igen (fig. O).
- ◆ Sæt beholderfilteret på plads og stram det.
- ◆ Sæt indsatsen på plads igen.
- ◆ Luk beholderen, når filteret er sat i igen
- ◆ Sæt støvbeholderen på plads i apparatet igen.

Rengøring af motorfilteret (fig. L & P)

Motorfilteret forhindrer partikler og større objekter i at trænge ind i motorhuset, når beholderen tages ud. Filteret kan bruges igen og bør renses jævnligt.

- ◆ Åbn dækslet (31) (fig. L).
- ◆ Tag filteret (37) ud (fig. P).
- ◆ Børst alt løst støv af filteret.
- ◆ Sæt filteret på plads igen.
- ◆ Luk dækslet.

Udskiftning af filtrene (fig. L - Q)

Beholderfilteret skal udskiftes hver sjette til niende måned, samt hvis det er slidt eller beskadiget. Ved udskiftning af beholderfilteret skal motorfilteret og udsugningsfiltrene udskiftes samtidig. Udskiftningsfilter-udstyr fås hos din Black & Decker-forhandler.

Udskiftning af beholderfilteret (fig. L - O)

- ◆ Filtrene skiftes som beskrevet i det foregående.

Udskiftning af motorfilteret (fig. L & P)

- ◆ Filteret skiftes som beskrevet i det foregående.

VO1700A - Udskiftning af udgangsfilteret (fig. Q)

- ◆ Åben dækslet (38).
- ◆ Tag det gamle filter (39) ud.
- ◆ Sæt det nye filter i som vist.
- ◆ Luk dækslet.

VO1700/VO1710 - Udskiftning af HEPA-filteret (fig. Q)

HEPA-filteret begrænser mængden af støv fra motorhuset til et minimum.

- ◆ Filteret skiftes som beskrevet i det foregående.

Beskyttelse af miljøet

Separat indsamling. Dette produkt må ikke bortskaffes sammen med almindeligt husholdningsaffald.

Hvis du en dag skal udskifte dit Black & Decker produkt, eller hvis du ikke skal bruge det længere, må du ikke bortskaffe det sammen med husholdningsaffald. Dette produkt skal være tilgængeligt for separat indsamling.



Separat indsamling af brugte produkter og emballage gør det muligt at genbruge materialer. Genbrugte materialer forebygger miljøforurening og nedbringer behovet for råstoffer.

Lokale regler kan give mulighed for separat indsamling af elektriske husholdningsprodukter på kommunale lossepladser eller hos den forhandler, som du købte produktet af.

Black & Decker har en facilitet til indsamling og genbrug af Black & Decker-produkter, når deres levetid er slut.

Få fordelen ved denne service ved at returnere produktet til en autoriseret tekniker, der samler værktøj sammen på vores vegne.

Du kan få oplyst den nærmeste autoriserede tekniker ved at kontakte det lokale Black & Decker-kontor på den adresse, der er angivet i denne brugsanvisning. Alternativt findes der en liste over autoriserede Black & Decker-teknikere og oplysninger om vores eftersalgsservice og kontaktpersoner på Internettet på adressen: www.2helpU.com

Tekniske data

	VO1700	VO1700A VO1710
Spænding	V 230	230
Motoreffekt	W 1.700	1.700
Kabellængde	m 4,5	5
Beholderstørrelse	l 2,5	2,5
Vægt	kg 7	7

EU overensstemmelseserklæring

VO1700/VO1700A/VO1710

Black & Decker erklærer, at disse produkter er i overensstemmelse med følgende:

89/336/EØF, 73/23/EØF, EN 55014, EN 61000, EN 60335

Lydniveauet i henhold til EN 60704-1: 71 dB(A)

Kevin Hewitt
Director of Consumer Engineering
Spennymoor, County Durham DL16 6JG,
Storbritannien
1-12-2006

EU-designanmeldelsesnummer 351606-0001

Reserve dele / reparationer

Reserve dele kan købes hos autoriserede Black & Decker serviceværksteder, som giver forslag til omkostninger og reparerer vore produkter. Oversigt over vore autoriserede værksteder findes på internettet på vor hjemmeside www.blackanddecker.dk samt www.2helpU.com

Garanti

Black & Decker garanterer, at produktet er fri for materielle skader og/eller fabrikationsfejl ved levering til kunden. Garantien er et tillæg til konsumentens lovlige rettigheder og påvirker ikke disse. Garantien gælder indenfor medlemsstaterne af den Europæiske Union og i det Europæiske Frihandelsområde.

Hvis et Black & Decker produkt går i stykker på grund af materiel skade og/eller fabrikationsfejl eller på anden måde ikke fungerer i overensstemmelse med specifikationen, inden for 24 måneder fra købsdatoen, påtager Black & Decker sig at reparere eller ombytte produktet med mindst muligt besvær for kunden.

Garantien gælder ikke for fejl og mangler, der er sket i forbindelse med:

- ◆ normal slitage
- ◆ uheldige følger efter unormal anvendelse af værktøjet
- ◆ overbelastning, hærværk eller overdrevent intensivt brug af værktøjet
- ◆ ulykkeshændelse

Garantien gælder ikke hvis reparationer er udført af nogen anden end et autoriseret Black & Decker værksted.

For at udnytte garantien skal produktet og købskvitteringen indleveres til forhandleren eller til et autoriseret værksted, senest 2 måneder efter at fejlen opdages. For information om nærmeste autoriserede værksted: kontakt det lokale Black & Decker kontor på den adresse som er opgivet i brugsanvisningen. Liste over alle autoriserede Black & Decker serviceværksteder samt servicevilkår er tilgængelig på internettet, på adressen www.2helpU.com

Gå venligst ind på vores website www.blackanddecker.dk for at registrere dit nye produkt og for at blive holdt ajour om nye produkter og specialtilbud. Der findes yderligere oplysninger om mærket Black & Decker og vores produktsortiment på adressen www.blackanddecker.dk

Käyttötarkoitus

Black & Deckerin pölynimuri on suunniteltu kuivaan imurointiin. Kone on tarkoitettu ainoastaan kotikäyttöön.

Turvaohjeet

- ◆ **Varoitus!** Sähkötyökaluja käytettäessä on aina noudatettava mm. seuraavia turvaohjeita, jotta tulipalojen, sähköiskujen, henkilövahinkojen ja materiaalivaurioiden riski olisi mahdollisimman pieni.
- ◆ Lue käyttöohje huolellisesti ennen koneen käyttöönottoa.
- ◆ Koneen käyttötarkoitus kuvataan tässä käyttöohjeessa. Käytä laitetta ainoastaan sellaiseen työhön, johon se on tarkoitettu, ja käytä vain tässä käyttöohjeessa suositeltuja lisävarusteita ja lisälaitteita. Ohjeesta poikkeava käyttö voi aiheuttaa onnettomuuden.
- ◆ Säilytä käyttöohje tulevaa tarvetta varten.

Laitteen käyttö

- ◆ Varmista, että laite on sammutettu ennen kuin kytket sen irti verkkovirrasta tai verkkovirtaan.
- ◆ Ole aina huolellinen käyttäessäsi laitetta.
- ◆ Älä käytä laitetta ulkona.
- ◆ Älä koskaan irrota pistoketta pistorasiasta vetämällä johdosta. Suojaa johto kuumuudelta, öljyltä ja teräviltä reunoilta.
- ◆ Jos virtajohto vahingoittuu käytön aikana, kytkä se välittömästi irti virtalähteestä. Älä kosketa johtoa ennen kuin olet irrottanut sen virtalähteestä.
- ◆ Jos et käytä laitetta, kytkä se irti virtalähteestä ennen osien asentamista tai irrottamista ja ennen puhdistusta.

Muiden turvallisuus

- ◆ Älä anna lasten tai kenenkään, joka ei ole lukenut tätä käyttöohjetta tai tutustunut koneeseen, käyttää konetta.
- ◆ Älä anna lasten tai eläinten tulla lähelle työskentelyaluetta tai koskea koneeseen tai sähköjohtoon. Jos konetta käytetään lasten läheisyydessä, on välttämätöntä olla tarkkaavainen.

Käytön jälkeen

- ◆ Sammuta kone ja vedä pistoke irti pistorasiasta, ennen kuin jätät laitteen ilman valvontaa ja ennen sen osien vaihtamista, puhdistamista tai tarkastamista.
- ◆ Säilytä laitetta kuivassa paikassa, kun se ei ole käytössä. Varmista, että lapset eivät pääse käsiksi laitteisiin.

Tarkastus ja korjaukset

- ◆ Tarkista ennen käyttöä, ettei laitteessa ole vaurioita tai viallisia osia. Tarkista, ettei laitteessa ole rikkinäisiä osia, vaurioituneita kytkimiä tai muita seikkoja, jotka saattavat vaikuttaa sen toimintaan.
- ◆ Älä käytä laitetta, jos jokin sen osista on viallinen.

- ◆ Viallinen osa tulee korjata tai vaihtaa valtuutetussa Black & Deckerin huoltoliikkeessä.
- ◆ Tarkista ennen käyttöä, että sähköjohto ei ole vaurioitunut, vanhentunut tai kulunut.
- ◆ Älä käytä konetta, jos virtajohto tai pistoke ovat vahingoittuneet tai vialliset.
- ◆ Jos virtajohto on vaurioitunut tai viallinen, se voidaan korjata vain valtuutetussa Black & Deckerin huoltoliikkeessä vaaratilanteiden välttämiseksi. Älä katkaise virtajohtoa äläkä yritä korjata sitä itse.
- ◆ Älä koskaan yritä irrottaa tai vaihtaa sellaisia osia, joista ei ole mainintaa tässä oppaassa.

Sähköturvallisuus



Tämä laite on kaksoiseristetty; siksi erillistä maadoitusta ei tarvita. Tarkista aina, että virtalähde vastaa arvokilvessä ilmoitettua jännitettä.

- ◆ Tätä laitetta ei ole tarkoitettu nuorten henkilöiden käyttöön tai vajaavalttaisten henkilöiden käyttöön ilman valvontaa. Lapsia on valvottava, etteivät he leiki koneen kanssa.
- ◆ Jos sähköjohto on vaurioitunut, sen saa vaihtaa vain valtuutetussa Black & Deckerin huoltoliikkeessä vaaratilanteiden välttämiseksi.

Lisäturvaohjeet pölynimureille

- ◆ Tarkista aina ennen käyttöä että suodattimet ovat oikein paikoillaan. Älä käytä laitetta jos kaikki suodattimet eivät ole paikoillaan.
- ◆ Älä kannu laitetta säiliön kahvasta.
- ◆ Älä käytä konetta nesteiden imuroimiseen.
- ◆ Älä imuroi materiaaleja, jotka saattavat syttyä palamaan.
- ◆ Älä käytä laitetta veden lähellä. Älä upota laitetta veteen.
- ◆ Pidä moottorin ilmavirta pois silmien ja kasvojen alueelta.
- ◆ Työskentele turvallisen etäisyyden päässä lapsista ja eläimistä.
- ◆ Työskentele aina alhaalta ylöspäin portaissa. Pidä kone ainakin yhtä porrasta alempana, kun työskentelet.
- ◆ Ota aina huomioon virtajohdon ja letkun sijainti laitetta käytettäessä.
- ◆ Älä käytä laitetta ilman, että putkeen on asennettu imupää tai muu sopiva tarvike.
- ◆ Kelaat virtajohto kokonaan sisään ja säilytä laite siististi käytön jälkeen.
- ◆ Pidä hiukset, vaatteet ja käsiineet loitolla liikkuvista osista.
- ◆ Älä käytä vahingoittuneita varusteita.
- ◆ Käytä vain Black & Deckerin varusteita.

Ominaisuudet

Tällä laitteella on kaikki seuraavat ominaisuudet tai osa seuraavista ominaisuuksista (kuva A).

1. Virrankatkaisija
2. Johdon kelauspainike
3. Kädensija
4. Letku
5. Ilmavirtauksen säätökytkin
6. Letku
7. Imupää
8. Säiliö
9. Pyörät

Lisäksi tämä laite on varustettu joillakin tai kaikilla seuraavista lisätarvikkeista (kuva B):

10. Rakosuulake
11. Harja
12. Tarvikepidin
13. Parketilattian suulake (VO1710)

Parketilattian suulake ei sisälly kaikkiin malleihin. Tätä lisävarustetta myyvät Black & Decker -tuotteiden jälleenmyyjät ja palvelukeskukset.

Kokoaminen

Letkun kytkeminen (kuva C)

- ◆ Työnnä letkuliitin (15) koneen aukkoon (14).
- ◆ Työnnä letkua, kunnes vapautuspainikkeet (16) napsahtavat paikoilleen.
- ◆ Irrota letku painamalla vapautuspainikkeita ja vetämällä letku ulos.

VO1700/VO1700A - Putken kokoaminen (kuva D)

- ◆ Paina alempi putki (17) tiukasti ylempään putkeen (18), kunnes putket ovat tiukasti yhdessä.

Putken kytkeminen (kuva E)

- ◆ Työnnä letkun suutin (19) putkeen (6).
- ◆ Irrota putki vetämällä letku irti putkesta.

Imupään asentaminen (kuva F)

Imupään (7) avulla voidaan imuroida mattoa ja kovia pintoja (esim. laminaatti- ja laattalattia).

- ◆ Paina putki (6) imupäähän (7).
- ◆ Irrota imupää vetämällä putki irti siitä.

VO1710 - Parketti-imupään asentaminen (kuva F)

Parketti-imupään (13) avulla voidaan imuroida puulattioita ja kiillotettuja pintoja.

- ◆ Paina putki (6) imupäähän (13).
- ◆ Irrota imupää vetämällä putki irti siitä.

Varusteiden asentaminen (kuva F & G)

Rakosuulakkeen (10) avulla voit imuroida kapeita ja vaikeasti tavoitettavia paikkoja. Harjasuulakkeen (11) avulla voidaan imuroida huonekaluja, sälekaihtimia, verhoja, ikkunoita ja portaita. Varusteet voidaan asentaa sekä letkuun (4) että putkeen (6). Kun varusteet eivät ole käytössä, ne voidaan säilyttää varustepidikkeessä (12).

- ◆ Poista varuste pidikkeestä (kuva G).
- ◆ Paina varuste kiinni letkun suuttimeen (19) tai putkeen (6) (kuva F).
- ◆ Irrota varuste vetämällä se irti letkun suuttimesta tai putkesta.

Käyttö

Virtajohdon vetäminen ulos ja kelaaminen sisään (kuva A)

Johdon kelauspainiketta (2) voidaan käyttää kädellä tai jalalla.

- ◆ Vedä riittävä määrä johtoa ulos koneen takaa.
- ◆ Kelaaj johto takaisin sisään käytön jälkeen painamalla johdon sisäänkelauspainiketta. Ohjaa johtoa käsin, ettei se heilahda takaisin. Varmista, että pistotulppa asettuu oikein.

VO1710 - Putken pituuden säätö (kuva H)

Jatkoputkea (6) voidaan säätää seuraavasti:

- ◆ Paina nuppia (20) ja säädä putki haluttuun pituuteen.
- ◆ Vapauta nuppi.

Imupään säätäminen (kuva F)

- ◆ Jos imuroit mattoja, käännä harjan käyttövipu (21) yläasentoon.
- ◆ Kun imuroit esim. laminaatti- tai laattalattiaa, harjan käyttövipu ala-asentoon.

Käynnistys ja pysäytys (kuva A)

Virtakytkintä (1) voidaan käyttää kädellä tai jalalla.

- ◆ Kytke laite päälle painamalla virtakytkintä (1).
- ◆ Kytke laite pois päältä painamalla uudestaan virtakytkintä.

Ilman virtauksen säätäminen (kuva I)

Säädä ilmavirtausta haluamallasi tavalla siirtämällä ilmavirtauksen säädintä (5).

Imuroiminen

- ◆ Kun käytät konetta, varmista, ettei letku jää jumiin, kierry tai tukkeudu.
- ◆ Jos kone ylikuumentuu, automaattinen virrankatkaisutoiminto pysäyttää koneen toiminnan.
- ◆ Jos laite lakkaa toimimasta, irrota töpseli seinästä ja anna laitteen jäähtyä 2-3 tuntia ennen käytön jatkamista.

Vinkkejä parhaimman tuloksen saamiseksi

- ◆ Kun imuroit portaita, aloita alhaalta ja etene ylöspäin. Sijoita laite lattialle ja imuroi portaat puoliväliin asti. Kanna laite sitten vakaaseen kohtaan, joka on ainakin yhden askelman työpistettä alempana ja imuroi sitten portaiden yläpuoli.

Koneen kantaminen (kuva A)

Laitetta voidaan kantaa kädensijasta (3) käytön aikana.

Imupään pysäköiminen väliaikaisesti (kuva J)

- ◆ Käytä pysäköintiasentoa (22), kun haluat pysäköidä imupään väliaikaisesti.

Koneen varastointi (kuva K)

Varoitus! Kun varastoit laitteen, kytke se pois päältä ja irrota sen virtajohto.

- ◆ Varmista, että virtajohto on kelattu kokonaan sisään.
- ◆ Sijoita laite pystyasentoon.
- ◆ Pysäköi putki pysäköintiasentoon (28).
- ◆ Säilytä laite kuivassa paikassa.

Huolto

Black & Deckerin kone on suunniteltu toimimaan mahdollisimman pitkän aikaa mahdollisimman vähällä huollolla. Oikealla huollolla ja säännöllisellä puhdistuksella kone säilyttää suorituskykynsä.

Varoitus! Ennen huoltoa ja puhdistusta laitteen tulee olla pois päältä ja irti virtalähteestä.

- ◆ Puhdista laitteen ilma-aukot säännöllisesti pehmeällä harjalla tai kuivalla rievulla.
- ◆ Puhdista työkalun kuori säännöllisesti kostealla siivousliinalla. Älä koskaan käytä puhdistamiseen liuotinaineita tai syövyttäviä puhdistusaineita.

Säiliön tyhjentäminen (kuva L & M)

Säiliö (8) on tyhjennettävä, kun sen maksimimerkki on saavutettu.

- ◆ Irrota letku.
- ◆ Paina vapautusnappia (30).
- ◆ Nosta kantta (31) kunnes se lukittuu paikalleen (kuva L).
- ◆ Pitele säiliötä kahvasta (29). Irrota säiliö (8) imurista.
- ◆ Pidä säiliötä roska-astian päällä.
- ◆ Avaa säiliö (kuva M) painamalla vapautuspainiketta (32). Tyhjennä säiliö vaaditulla tavalla.
- ◆ Sulje alusta (33) siirtämällä sitä ylöspäin, kunnes lukko osuu salpaan.
- ◆ Asenna säiliö takaisin laitteeseen.
- ◆ Sulje kansi, kunnes se lukittuu paikalleen.

Puhdistus

Varoitus! Ennen huoltoa ja puhdistusta laite pitää sammuttaa ja kytkeä irti virtalähteestä.

- ◆ Pyyhi laite säännöllisesti kostealla rievulla. Älä koskaan käytä puhdistamiseen liuotinaineita tai syövyttäviä puhdistusaineita. Älä upota laitetta veteen.

Säiliön suodattimen puhdistaminen (kuva L - O)

Säiliön suodatin estää pölyn ja lian pääsyn moottorin koteloon.

Suodatinta voidaan käyttää uudelleen. Suodatin on puhdistettava tehokkaan imutehon ylläpitämiseksi kerran viikossa tai milloin tahansa, kun imuteho on huomattavasti heikentynyt. Tässä työkalussa on ohitusventtiili. Kun suodatin on tukossa, venttiilin toiminnasta kuuluu ääni. Tämä on täysin normaalia eikä ole merkinä ongelmasta. Sammuta työkalu ja irrota virtajohto pistorasiasta ennen suodatinten puhdistusta.

- ◆ Irrota säiliö (8) laitteesta (kuva L).
- ◆ Tyhjennä säiliö (kuva M).
- ◆ Irrota suodatinpatruuna (34) kääntämällä sitä vastapäivään (kuva N).
- ◆ Löysää suodatinta (35) ja irrota se säiliöstä.
- ◆ Ravista ylimääräinen pöly pois ravistamalla suodatinta roska-astiassa.

Varoitus! Älä puhdista suodatinta harjaamalla tai paineilmalla.

- ◆ Huuhtelee suodattimen ulkopuoli vedellä, jos sen kunto sallii tämän. Anna suodattimen kuivua 24 tuntia ennen kuin asennat sen takaisin.

Varoitus! Älä pese suodatinta sisältä.

- ◆ Irrota suodatinyksikkö (36), joka sijaitsee ritilän alapuolella ja harjaa pois mahdollinen irtopöly ennen sen asettamista takaisin (kuva O).
- ◆ Aseta säiliön suodatin takaisin paikalleen ja kiristä se.
- ◆ Asenna patruuna takaisin paikalleen.
- ◆ Kun olet asettanut suodattimen takaisin paikalleen, sulje säiliö.
- ◆ Asenna säiliö takaisin laitteeseen.

Moottorin suodattimen puhdistus (kuva L & P)

Moottorin suodatin estää partikkelien ja suurten esineiden pääsyn moottorin koteloon, kun säiliö irrotetaan. Suodatinta voidaan käyttää kerta toisensa jälkeen; siksi se on puhdistettava säännöllisesti.

- ◆ Avaa kansi (31) (kuva L).
- ◆ Ota suodatin (37) ulos (kuva P).
- ◆ Harjaa kaikki irtopöly pois suodattimista.
- ◆ Aseta suodatin takaisin paikalleen.
- ◆ Sulje kansi.

Suodattimien vaihtaminen (kuva L - Q)

Säiliön suodatin tulee vaihtaa 6 - 9 kuukauden välein tai jos se on kulunut tai vaurioitunut. Kun vaihdat säiliön suodattimen, myös moottorin suodatin ja poistoilman suodatin on vaihdettava. Vaihtosuodattimia myyvät Black & Decker -tuotteiden jälleenmyyjät.

Säiliön suodattimen vaihtaminen (kuva L - O)

- ◆ Vaihda suodattimet yllä olevien ohjeiden mukaisesti.

Moottorin suodattimen vaihto (kuva L & P)

- ◆ Vaihda suodatin yllä olevien ohjeiden mukaisesti.

VO1700A - Poistoilman suodattimen vaihtaminen (kuva Q)

- ◆ Avaa kansi (38).
- ◆ Ota vanha suodatin (39) pois.
- ◆ Asenna uusi suodatin kuvan osoittamalla tavalla.
- ◆ Sulje kansi.

VO1700/VO1710 - HEPA-suodattimen vaihtaminen (kuva Q)

HEPA-suodatin pitää moottorikotelosta tulevan pölymäärän mahdollisimman pienenä.

- ◆ Vaihda suodatin yllä olevien ohjeiden mukaisesti.

Ympäristö

Erillinen keräys. Tätä tuotetta ei saa hävittää normaalin kotitalousjätteen kanssa.

Kun Black & Decker -koneesi on käytetty loppuun, älä hävitä sitä kotitalousjätteen mukana. Tämä tuote on kerättävä erikseen.



Käytettyjen tuotteiden ja pakkausten erillinen keräys mahdollistaa materiaalien kierrätyksen ja uudelleenkäytön. Kierrätettyjen materiaalien uudelleenkäyttö auttaa ehkäisemään ympäristön saastumisen ja vähentää raaka-aineiden kysyntää.

Paikallisten säännösten mukaisesti on mahdollista viedä kotitalouksien sähkölaitteet kuntien kaatopaikoille tai jättää ne vähittäismyymälälle ostettaessa uusi tuote.

Black & Decker tarjoaa mahdollisuuden Black & Decker -tuotteiden keräykseen ja kierrätykseen sen jälkeen, kun ne on poistettu käytöstä. Jotta voisit hyötyä tästä palvelusta, palauta laitteesi johonkin valtuutettuun huoltoliikkeeseen, joka kerää laitteet meidän puolestamme.

Voit tarkistaa lähimmän valtuutetun huoltoliikkeen sijainnin ottamalla yhteyden Black & Deckerin toimistoon, joka sijaitsee tässä käsikirjassa annetussa osoitteessa. Lista valtuutetuista Black & Decker -huoltoliikkeistä sekä yksityiskohtaiset tiedot korjauspalvelustamme ovat vaihtoehtoisesti saatavilla Internetissä, osoitteessa www.2helpU.com

Tekniset tiedot

	VO1700	VO1700A VO1710
Jännite	V 230	230
Ottoteho	W 1.700	1.700
Kaapelin pituus	m 4,5	5
Säiliön koko	l 2,5	2,5
Paino	kg 7	7

EU:n yhdenmukaisuusilmoitus

VO1700/VO1700A/VO1710

Black & Decker vakuuttaa näiden tuotteiden olevan seuraavien standardien vaatimusten mukaisia:
89/336/EEC, 73/23/EEC, EN 55014, EN 61000, EN 60335

Äänenpainetaso, mitattu EN 60704-1:n mukaisesti: 71 dB(A)

Kevin Hewitt
Director of Consumer Engineering
Spennymoor, County Durham DL16 6JG,
Iso-Britannia
1-12-2006

Euroopan yhteisön mallirekisteröintinumero 351606-0001

Korjaukset / varaosat

Mikäli koneeseen tulee vikaa, jätä se aina Black & Deckerin valtuuttamaan huoltoliikkeeseen korjattavaksi (tiedot löytyvät uusimmasta tuoteluettelostamme tai ottamalla yhteyttä Black & Decker Oy:hyn). Varaosia myyvät valtuutetut Black & Deckerin huoltoliikkeet, ja heiltä voi myös pyytää kustannusarvion koneen korjauksesta.

Tiedot valtuutetuista huoltoliikkeistä löytyvät myös internetistä osoitteesta www.2helpU.com sekä kotisivuiltamme www.blackanddecker.fi

Takuu

Black & Decker Oy takaa, ettei koneessa ollut materiaali- ja/tai valmistusvikaa silloin, kun se toimitettiin ostajalle. Takuu on lisäys kuluttajan laillisiin oikeuksiin eikä vaikuta niihin. Takuu on voimassa Euroopan Unionin jäsenmaissa ja Euroopan vapaakauppa-alueella (EFTA).

Mikäli Black & Decker -kone hajoaa materiaali- ja/tai valmistusvirheen tai teknisten tietojen epätarkkuuden vuoksi 24 kk:n kuluessa ostopäivästä, Black & Decker korjaa koneen ilman kustannuksia ostajalle tai vaihtaa sen uuteen Black & Decker Oy:n valinnan mukaan.

Takuu ei kata vikoja, jotka johtuvat koneen

- ◆ normaalista kulumisesta
- ◆ ylikuormituksesta, virheellisestä käytöstä tai hoidosta
- ◆ vahingoittamisesta vieraalla esineellä tai aineella tai onnettomuustapauksessa.

Takuu ei ole voimassa, mikäli konetta on korjannut joku muu kuin Black & Deckerin valtuuttama huoltoliike.

Edellytyksenä takuun saamiselle on, että ostaja jättää koneen ja ostokuitin jälleenmyyjälle tai valtuutetulle huoltoliikkeelle viimeistään 2 kuukauden kuluessa vian ilmenemisestä.

Tiedot valtuutetuista huoltoliikkeistä saa ottamalla yhteyttä Black & Decker Oy:hyn sekä internetistä osoitteesta

www.2helpU.com, jossa on myös takuehdot.

Voit vierailla verkkosivullamme **www.blackanddecker.fi**

rekisteröidäksesi uuden Black & Decker-tuotteesi ja saadaksesi tietoa uusista tuotteista ja erikoistarjouksista.

Saat lisätietoja Black & Deckerin tavaramerkistä ja tuotevalikoimastamme osoitteesta **www.blackanddecker.fi**

Ενδεξιγμένη χρήση

Αυτή η ηλεκτρική σκούπα της Black & Decker έχει σχεδιαστεί για το σκούπισμα ξηρών ουσιών.

Αυτό το προϊόν προορίζεται μόνο για οικιακή χρήση.

Οδηγίες ασφαλείας

- ◆ **Προειδοποίηση!** Όταν χρησιμοποιείτε ηλεκτρικά μηχανήματα, θα πρέπει να τηρείτε πάντα τις βασικές οδηγίες ασφαλείας, συμπεριλαμβανομένων και των παρακάτω, για να περιορίσετε τον κίνδυνο πυρκαγιάς, ηλεκτροπληξίας, σωματικών βλαβών και υλικών ζημιών.
- ◆ Πριν χρησιμοποιήσετε τη συσκευή, διαβάστε προσεκτικά ολόκληρο το εγχειρίδιο.
- ◆ Η ενδεξιγμένη χρήση περιγράφεται σε αυτό το εγχειρίδιο. Η χρήση οποιαδήποτε αξεσουάρ ή προσθήκης ή η απόδοση οποιασδήποτε λειτουργίας με αυτή τη συσκευή, εκτός αυτών που προτείνονται σε αυτό το εγχειρίδιο οδηγιών, εγκυμονεί κίνδυνο τραυματισμού.
- ◆ Φυλάξτε το εγχειρίδιο αυτό για να μπορείτε να ανατρέξετε σε αυτό στο μέλλον.

Χρήση της συσκευής σας

- ◆ Βεβαιωθείτε ότι η συσκευή είναι εκτός λειτουργίας πριν τη συνδέσετε ή την αποσυνδέσετε από την πρίζα.
- ◆ Προσέχετε πάντα όταν χρησιμοποιείτε τη συσκευή.
- ◆ Μη χρησιμοποιείτε τη συσκευή σε εξωτερικούς χώρους.
- ◆ Μην τραβήξετε ποτέ το καλώδιο ηλεκτρικού ρεύματος για να αποσυνδέσετε το φως από την πρίζα. Διατηρείτε το καλώδιο τροφοδοσίας σε απόσταση από πηγές θερμότητας, λάδια και από αιχμηρά άκρα.
- ◆ Εάν το καλώδιο τροφοδοσίας καταστραφεί κατά τη χρήση, αποσυνδέστε τη συσκευή αμέσως από την πρίζα. Μην αγγίζετε το καλώδιο τροφοδοσίας πριν αποσυνδέσετε το φως από την πρίζα.
- ◆ Να αποσυνδέετε τη συσκευή από την πρίζα όταν δεν χρησιμοποιείται, πριν τοποθετήσετε ή αφαιρέσετε εξαρτήματα και πριν την καθαρίσετε.

Ασφάλεια τρίτων

- ◆ Μην επιτρέπετε σε μικρά παιδιά ή σε άτομα που δεν έχουν διαβάσει το εγχειρίδιο οδηγιών να χρησιμοποιήσουν τη συσκευή.
- ◆ Μην επιτρέπετε σε παιδιά ή ζώα να πλησιάζουν στο χώρο εργασίας ή να αγγίζουν τη συσκευή ή το καλώδιο τροφοδοσίας της. Όταν χρησιμοποιείτε τη συσκευή κοντά σε παιδιά, πρέπει να τα επιτηρείτε στενά.

Μετά τη χρήση

- ◆ Πριν αφήσετε τη συσκευή χωρίς επιτήρηση και πριν αλλάξετε, καθαρίσετε ή ελέγξετε οποιαδήποτε εξαρτήματά της, πρέπει πρώτα να τη θέσετε εκτός λειτουργίας και να αποσυνδέσετε το φως από την πρίζα.

- ◆ Όταν δεν χρησιμοποιείται, η συσκευή θα πρέπει να αποθηκεύεται σε ξηρό χώρο. Τα παιδιά δεν πρέπει να έχουν πρόσβαση στις αποθηκευμένες συσκευές.

Έλεγχος και επισκευές

- ◆ Πριν τη χρήση, ελέγξτε τη συσκευή για τυχόν φθαρμένα ή ελαττωματικά εξαρτήματα. Ελέγξτε για εξαρτήματα που πιθανόν να έχουν σπάσει, για διακόπτες που πιθανόν να έχουν πάθει ζημιά και γενικά κάθε είδους συνθήκες που θα μπορούσαν ενδεχομένως να επηρεάσουν τη λειτουργία της συσκευής.
- ◆ Μη χρησιμοποιείτε τη συσκευή εάν κάποιο εξάρτημά της έχει πάθει ζημιά ή παρουσιάζει ελάττωμα.
- ◆ Ζητήστε από εξουσιοδοτημένο συνεργείο σέρβις την επισκευή ή την αντικατάσταση όλων των φθαρμένων ή ελαττωματικών εξαρτημάτων.
- ◆ Πριν από τη χρήση, ελέγξτε προσεκτικά το καλώδιο τροφοδοσίας για σημάδια ζημιάς, παλαιώσης και φθοράς.
- ◆ Μη χρησιμοποιείτε τη συσκευή αν το καλώδιο τροφοδοσίας της ή το φως έχει πάθει ζημιά ή παρουσιάζει ελάττωμα.
- ◆ Εάν το καλώδιο τροφοδοσίας ή το φως είναι κατεστραμμένο ή ελαττωματικό, πρέπει να επισκευαστεί από εξουσιοδοτημένο συνεργείο σέρβις ώστε να μην προκύψει κίνδυνος. Μην κόβετε το καλώδιο τροφοδοσίας και μην προσπαθείτε να το επισκευάσετε μόνοι σας.
- ◆ Μην επιχειρήσετε ποτέ να αφαιρέσετε ή να αντικαταστήσετε εξαρτήματα εκτός αυτών που προσδιορίζονται σε αυτό το εγχειρίδιο.

Ασφαλής χρήση του ηλεκτρικού ρεύματος



Αυτό το εργαλείο φέρει διπλή μόνωση, επομένως δεν απαιτείται σύρμα γείωσης. Ελέγχετε πάντοτε αν η τάση τροφοδοσίας αντιστοιχεί σε αυτήν που αναγράφεται στην πινακίδα στοιχείων του εργαλείου.

- ◆ Αυτό το εργαλείο δεν πρέπει να χρησιμοποιηθεί από νέους ή ασταθές άτομα χωρίς επιτήρηση. Τα παιδιά πρέπει να επιτηρηθούν για να βεβαιωθείτε ότι δεν παίζουν με το εργαλείο.
- ◆ Αν το καλώδιο ρεύματος έχει υποστεί βλάβη, πρέπει να αντικατασταθεί από τον κατασκευαστή ή από εξουσιοδοτημένο Κέντρο Επισκευών Black & Decker ώστε να αποφύγετε τους κινδύνους.

Συμπληρωματικές οδηγίες ασφαλείας για ηλεκτρικές σκούπες

- ◆ Πριν τη χρήση, βεβαιωθείτε πάντα ότι τα φίλτρα έχουν τοποθετηθεί σωστά. Μην χρησιμοποιείτε τη συσκευή χωρίς όλα τα φίλτρα στη θέση τους.

- ◆ Μη μεταφέρετε τη συσκευή από τη λαβή του κάδου.
- ◆ Μη χρησιμοποιείτε τη συσκευή για τη συλλογή υγρών.
- ◆ Μη χρησιμοποιείτε τη συσκευή για τη συλλογή υλικών τα οποία υπάρχει κίνδυνος να αναφλεγούν.
- ◆ Μη χρησιμοποιείτε τη συσκευή κοντά σε νερό. Μη βυθίζετε τη συσκευή σε νερό.
- ◆ Φροντίστε ώστε το ρεύμα αναρρόφησης του μοτέρ να είναι μακριά από τα μάτια και το πρόσωπό σας.
- ◆ Φροντίστε τα παιδιά και τα ζώα να βρίσκονται σε απόσταση ασφαλείας όταν χρησιμοποιείτε τη συσκευή αυτή.
- ◆ Να εργάζεστε πάντα από κάτω προς τα πάνω όταν χρησιμοποιείτε τη συσκευή σε σκάλες και να διατηρείτε τη σκούπα τουλάχιστον ένα σκαλοπάτι χαμηλότερα από τη θέση εργασίας σας.
- ◆ Να έχετε πάντα υπόψη τη θέση του κουλαδιού ρεύματος και του σωλήνα κατά τη χρήση της συσκευής.
- ◆ Μη χρησιμοποιείτε τη συσκευή χωρίς να έχει τοποθετηθεί στο σωλήνα το πέλμα αναρρόφησης ή άλλο κατάλληλο εξάρτημα.
- ◆ Μετά τη χρήση, μαζέψτε ολοκληρωτικά το καλώδιο ρεύματος και αποθηκεύστε τακτοποιημένα τη συσκευή.
- ◆ Κρατάτε τα μαλλιά, τα ενδύματα και τα γάντια σας μακριά από τα κινούμενα εξαρτήματα.
- ◆ Μην χρησιμοποιείτε καταστρωμένα εξαρτήματα.
- ◆ Να χρησιμοποιείτε μόνο εξαρτήματα Black & Decker.

Χαρακτηριστικά

Η συσκευή περιλαμβάνει όλα ή ορισμένα από τα ακόλουθα χαρακτηριστικά (εικ. Α).

1. Διακόπτης on/off
2. Κουμπί επαναύλιξης καλωδίου
3. Λαβή
4. Εύκαμπτος σωλήνας
5. Διακόπτης ελέγχου παροχής αέρα
6. Σωλήνας
7. Πέλμα αναρρόφησης
8. Κάδος
9. Τροχοί

Επιπλέον, η συσκευή αυτή διαθέτει κάποια ή όλα από τα ακόλουθα εξαρτήματα (εικ. Β):

10. Εξάρτημα για δύσκολα σημεία
11. Βούρτσα
12. Υποδοχή αξεσουάρ
13. Πέλμα για ξύλινα δάπεδα (VO1710)

Το πέλμα για ξύλινα δάπεδα δεν συμπεριλαμβάνεται σε όλα τα μοντέλα. Αυτό το εξάρτημα είναι διαθέσιμο από τους αντιπροσώπους Black & Decker / κέντρα επισκευών.

Συναρμολόγηση

Σύνδεση του εύκαμπτου σωλήνα (εικ. C)

- ◆ Εισάγετε το συνδετήρα του εύκαμπτου σωλήνα (15) στην είσοδο (14) της συσκευής.
- ◆ Σπρώξτε τον εύκαμπτο σωλήνα μέχρι να ασφαλισουν τα μπουτόν απασφάλισης (16) στη θέση τους.
- ◆ Για να αποσυνδέσετε τον εύκαμπτο σωλήνα, πατήστε τα μπουτόν απασφάλισης και τραβήξτε το σωλήνα προς τα έξω.

VO1700/VO1700A - Συναρμολόγηση του σωλήνα προέκτασης (εικ. D)

- ◆ Σπρώξτε τον κάτω σωλήνα (17) με δύναμη μέσα στον πάνω σωλήνα (18) μέχρι να μπουν στη θέση τους.

Σύνδεση του σωλήνα (εικ. E)

- ◆ Σπρώξτε τον ακροφύσιο (19) στο σωλήνα (6).
- ◆ Για να αφαιρέσετε τον σωλήνα, τραβήξτε έξω τον εύκαμπτο σωλήνα.

Τοποθέτηση του πέλματος αναρρόφησης (εικ. F)

Το πέλμα αναρρόφησης (7) επιτρέπει το σκούπισμα χαλιών και σκληρών επιφανειών (π.χ. λαμινέ και πλακάκια).

- ◆ Σπρώξτε το σωλήνα (6) μέσα στη κεφαλή (7).
- ◆ Για να αφαιρέσετε τη κεφαλή, τραβήξτε έξω τον εύκαμπτο σωλήνα από τη κεφαλή.

VO1710 - Τοποθέτηση του πέλματος για ξύλινα δάπεδα (εικ. F)

Το πέλμα για ξύλινα δάπεδα (13) επιτρέπει το σκούπισμα ξύλινων και λουστραρισμένων επιφανειών.

- ◆ Σπρώξτε το σωλήνα (6) μέσα στη κεφαλή (13).
- ◆ Για να αφαιρέσετε τη κεφαλή, τραβήξτε έξω τον εύκαμπτο σωλήνα από τη κεφαλή.

Τοποθέτηση εξαρτημάτων (εικ. F & G)

Το εξάρτημα καθαρισμού σχισμών (10) επιτρέπει το σκούπισμα σε στενά σημεία και σε σημεία όπου δεν είναι εύκολη η πρόσβαση. Η βούρτσα (11) επιτρέπει το σκούπισμα πάνω σε έπιπλα, περσίδες, κουρτίνες, παράθυρα και σκάλες. Τα εξαρτήματα μπορούν να τοποθετηθούν και στον εύκαμπτο (4) και στο μεταλλικό (6) σωλήνα. Όταν δεν χρησιμοποιούνται, τα εξαρτήματα μπορούν να φυλάσσονται στη θήκη για τα εξαρτήματα (12).

- ◆ Βγάλτε το εξάρτημα από τη θήκη (εικ. G).
- ◆ Σπρώξτε το εξάρτημα στον ακροφύσιο του εύκαμπτου σωλήνα (19) ή του σωλήνα (6) (εικ. F).
- ◆ Για να βγάλετε ένα εξάρτημα, τραβήξτε το εξάρτημα από τον ακροφύσιο του εύκαμπτου σωλήνα ή του σωλήνα.

Χρήση

Ξετύλιγμα και επανατύλιγμα του καλωδίου ρεύματος (εικ. Α)

Το κουμπί επανατύλιξης του καλωδίου (2) λειτουργεί και με το χέρι και με το πόδι.

- ◆ Τραβήξτε καλώδιο ικανοποιητικού μήκους από το πίσω μέρος της συσκευής.
- ◆ Μετά τη χρήση, πατήστε το κουμπί επανατύλιξης του καλωδίου για να μαζέψετε το καλώδιο στη μονάδα. Οδηγήστε το καλώδιο με το χέρι για να βεβαιωθείτε ότι δεν θα πεταχτεί πίσω. Βεβαιωθείτε ότι το φως βρίσκεται στη σωστή θέση.

VO1710 - Ρύθμιση του μήκους του σωλήνα (εικ. Η)

Το μήκος του σωλήνα προέκτασης (6) μπορεί να ρυθμιστεί ως ακολούθως.

- ◆ Πατήστε το κουμπί (20) και σύρετε το σωλήνα στο μήκος που επιθυμείτε.
- ◆ Αφήστε το κουμπί.

Ρύθμιση το πέλμα αναρρόφησης (εικ. F)

- ◆ Για σκούπισμα σε μοκέτες, αλλάξτε το διακόπτη ενεργοποίησης βούρτσας (21) στη πάνω θέση.
- ◆ Για σκούπισμα σε πλακάκια, αλλάξτε τον διακόπτη ενεργοποίησης βούρτσας στην κάτω θέση.

Θέση εντός και εκτός λειτουργίας (εικ. Α)

Ο διακόπτης λειτουργίας on/off (1) λειτουργεί και με το χέρι και με το πόδι.

- ◆ Για να θέσετε τη συσκευή σε λειτουργία, πατήστε το διακόπτη on/off (1).
- ◆ Για να θέσετε τη συσκευή εκτός λειτουργίας, πατήστε ξανά το διακόπτη on/off.

Ρύθμιση της παροχής αέρα (εικ. Ι)

Μετακινήστε το διακόπτη ελέγχου της παροχής αέρα (5) για να ρυθμίσετε την παροχή αέρα όπως επιθυμείτε.

Σκούπισμα

- ◆ Όταν λειτουργείτε τη συσκευή, φροντίστε να μην παγιδεύετε, να μη στρίβετε και να μη μπλέκετε τον εύκαμπο σωλήνα.
- ◆ Σε περίπτωση υπερθέρμανσης, ενεργοποιείται μια διάταξη διακοπής και η λειτουργία της συσκευής διακόπτεται αυτόματα.
- ◆ Αν η συσκευή σταματάει να λειτουργήσει, βγάλτε την από τη πρίζα και αφήστε την να κρυώσει για 2-3 ώρες πριν συνεχίσει.

Συμβουλές για άριστη χρήση

- ◆ Όταν σκουπίζετε σκάλες, να ξεκινάτε πάντα από κάτω και να συνεχίζετε ανεβαίνοντας. Τοποθετήστε τη συσκευή στο δάπεδο και σκουπίστε τη σκάλα μέχρι τη μέση. Έπειτα, μεταφέρετε τη συσκευή σε σταθερή θέση, η οποία να βρίσκεται τουλάχιστον ένα σκαλοπάτι χαμηλότερα από τη θέση εργασίας σας, και σκουπίστε το υπόλοιπο μισό της σκάλας.

Μεταφορά της συσκευής (εικ. Α)

Κατά τη χρήση, η συσκευή μπορεί να μεταφερθεί από τη χειρολαβή (3).

Προσωρινή στερέωση του πέλματος αναρρόφησης (εικ. J)

- ◆ Χρησιμοποιήστε τη θέση στερέωσης (22) για να στερεώσετε προσωρινά το πέλμα αναρρόφησης.

Μεταφορά της συσκευής (εικ. Κ)

Προειδοποίηση! Όταν πρόκειται να αποθηκεύσετε τη συσκευή, θέστε την εκτός λειτουργίας και αποσυνδέστε την από την πρίζα.

- ◆ Βεβαιωθείτε ότι το καλώδιο έχει επανατυλιχθεί πλήρως.
- ◆ Τοποθετήστε τη συσκευή σε όρθια θέση.
- ◆ Στερεώστε το σωλήνα στη θέση στερέωσης (28).
- ◆ Αποθηκεύστε τη συσκευή σε ξηρό χώρο.

Συντήρηση

Αυτό το μηχάνημα της Black & Decker έχει σχεδιαστεί για να λειτουργεί για μεγάλο χρονικό διάστημα με ελάχιστη συντήρηση. Η αδιάλειπτη και ικανοποιητική λειτουργία της συσκευής εξαρτάται από τη φροντίδα και τον τακτικό καθαρισμό της.

Προειδοποίηση! Πριν εκτελέσετε οποιαδήποτε εργασία συντήρησης ή καθαρισμού της συσκευής, αποσυνδέστε την από την πρίζα.

- ◆ Να καθαρίζετε τακτικά τις σχισμές εξαερισμού της συσκευής σας χρησιμοποιώντας μαλακή βούρτσα ή στεγνό ύφασμα.
- ◆ Να καθαρίζετε τακτικά το περίβλημα του μοτέρ χρησιμοποιώντας ένα υγρό πανί. Μη χρησιμοποιείτε αποξεστικά καθαριστικά ή υγρά καθαρισμού που περιέχουν διαλύτες.

Άδειασμα του κάδου (εικ. L & M)

Ο κάδος (8) πρέπει να αδειαστεί όταν φτάσει στη μέγιστη ένδειξη.

- ◆ Αφαιρέστε τον εύκαμπο σωλήνα.
- ◆ Πατήστε το κουμπί απελευθέρωσης (30).
- ◆ Σηκώστε το καπάκι (31) μέχρι να κλειδώσει στη θέση του (εικ. L).

- ◆ Κρατήστε το κάδο από τη χειρολαβή (29). Βγάλτε το κάδο (8) από τη συσκευή.
- ◆ Κρατήστε το κάδο πάνω από ένα κάδο σκουπιδιών.
- ◆ Πατήστε το κουμπί απελευθέρωσης (32) για να ανοίξει το κάδο (εικ. Μ). Αδειάστε τον κάδο όποτε χρειάζεται.
- ◆ Κλείστε τη βάση (33) μετακινώντας την προς τα πάνω μέχρι να κλειδώσει η ασφάλεια.
- ◆ Εισάγετε ξανά τον κάδο μέσα στην συσκευή.
- ◆ Κλείστε το καπάκι μέχρι να κουμπώσει στη θέση του.

Καθαρισμός

Προειδοποίηση! Πριν από τον καθαρισμό και τη συντήρηση, θέστε τη συσκευή εκτός λειτουργίας και βγάλτε την από την πρίζα.

- ◆ Να καθαρίζετε τακτικά τη συσκευή με ένα υγρό πανί. Μη χρησιμοποιείτε αποξεστικά καθαριστικά ή υγρά καθαρισμού που περιέχουν διαλύτες. Μη βυθίζετε τη συσκευή σε νερό.

Καθαρισμός του φίλτρου κάδου (εικ. L - O)

Το φίλτρο του κάδου προστατεύει το χώρο του μοτέρ από την εισχώρηση σκόνης και ακαθαρσιών. Το φίλτρο μπορεί να επαναχρησιμοποιηθεί. Για να συγκρατηθεί η απόδοση αναρρόφησης, το φίλτρο πρέπει να καθαριστεί κάθε βδομάδα, η οποία επιτηρείται μια χαμηλή απόδοση αναρρόφησης. Η συσκευή περιέχει μια βαλβίδα παράκαμψης. Όταν το φίλτρο είναι θολωμένο, η λειτουργία της βαλβίδας είναι ακουστική. Αυτό είναι φυσιολογικό και δεν αποτελεί πρόβλημα. Σβήστε τη συσκευή και αφαιρέστε το βύσμα από τη πρίζα πριν καθαρίσετε τα φίλτρα.

- ◆ Βγάλτε τον κάδο (8) από τη συσκευή (εικ. L).
- ◆ Άδειασμα του κάδου (εικ. Μ)
- ◆ Αφαιρέστε το φυσίγγι (34) στρέφοντάς το αριστερόστροφα (εικ. Ν).
- ◆ Χαλαρώστε το φίλτρο (35) και βγάλτε το από το κάδο.
- ◆ Τινάζτε την περίσσεια της σκόνης, κτυπώντας ελαφρά το φίλτρο μέσα σε έναν σκουπιδοτενεκέ.

Προσοχή! Μην βουρτσίζετε ή μη χρησιμοποιείτε αέρα υπό πίεση για να καθαρίσετε το φίλτρο.

- ◆ Ανάλογα με την κατάστασή του, πλύνετε την εξωτερική επιφάνεια του φίλτρου με νερό. Αφήστε το φίλτρο να στεγνώσει για 24 ώρες, πριν το ξαναποθετήσετε.

Προσοχή! Μην πλένετε το εσωτερικό του φίλτρου.

- ◆ Βγάλτε το συγκρότημα του φίλτρου (36) που βρίσκεται ακριβώς κάτω από τη σχάρα και σκουπίστε τη σκόνη πριν τη ξαναβάλετε (εικ. Ο).
- ◆ Αντικαταστήστε το φίλτρο του κάδου και σφίξτε το.
- ◆ Τοποθετήστε ξανά το φυσίγγι.
- ◆ Μετά την αντικατάσταση του φίλτρου, κλείστε το κάδο.
- ◆ Εισάγετε ξανά τον κάδο μέσα στην συσκευή.

Καθαρισμός του φίλτρου του μοτέρ (εικ. L & P)

Το φίλτρο του μοτέρ εμποδίζει την εισαγωγή σωματιδίων και αντικειμένων στο περιβλήμα του μοτέρ, όταν ο κάδος έχει αφαιρεθεί. Το φίλτρο μπορεί να ξαναχρησιμοποιηθεί και θα πρέπει να καθαρίζεται τακτικά.

- ◆ Ανοίξτε το καπάκι (31) (fig. L).
- ◆ Βγάλτε το φίλτρο (37) (εικ. Ρ).
- ◆ Σκουπίστε τυχόν σκόνες από το φίλτρο.
- ◆ Τοποθετήστε ξανά το φίλτρο.
- ◆ Κλείστε το καπάκι

Αντικατάσταση των φίλτρων (εικ. L - Q)

Το φίλτρο του κάδου πρέπει να αντικαθίσταται κάθε 6 έως 9 μήνες και οποτεδήποτε φθαρεί ή καταστραφεί. Όταν αντικαθιστάτε το φίλτρο του κάδου, θα πρέπει να αντικαταστήσετε επίσης το φίλτρο του μοτέρ και τα φίλτρα εξόδου. Το δικό σας εξουσιοδοτημένο κατάστημα Black & Decker διαθέτει ανταλλακτικά σερβιζών φίλτρων.

Αντικατάσταση του φίλτρου του κάδου (εικ. L - O)

- ◆ Για να αντικαταστήσετε τα φίλτρα, ακολουθήστε την παραπάνω διαδικασία.

Αντικατάσταση του φίλτρου του μοτέρ (εικ. L & P)

- ◆ Για να αντικαταστήσετε το φίλτρο, ακολουθήστε την παραπάνω διαδικασία.

VO1700A - Αντικατάσταση του φίλτρου (εικ. Q)

- ◆ Ανοίξτε το κάλυμμα (38).
- ◆ Αφαιρέστε τα παλιά φίλτρα (39).
- ◆ Τοποθετήστε τα καινούρια φίλτρα όπως φαίνεται στην εικόνα.
- ◆ Κλείστε το κάλυμμα.

VO1700/VO1710 - Αντικατάσταση του φίλτρου HEPA (εικ. Q)

Το φίλτρο HEPA ελαχιστοποιεί την ποσότητα της σκόνης που βγαίνει από το περιβλήμα του μοτέρ.

- ◆ Για να αντικαταστήσετε το φίλτρο, ακολουθήστε την παραπάνω διαδικασία.

Διάθεση εργαλείων και περιβάλλον



Ξεχωριστή συλλογή. Αυτό το προϊόν δεν πρέπει να απορριφθεί με συνηθισμένα σπιτικά απορρίμματα.

Εάν κάποια μέρα διαπιστώσετε ότι το προϊόν σας Black & Decker χρειάζεται αντικατάσταση ή δεν σας χρησιμεύει πλέον, μην το απορρίψετε με τα σπιτικά απορρίμματα. Κάντε αυτό το προϊόν διαθέσιμο για ξεχωριστή συλλογή.



Η ξεχωριστή συλλογή χρησιμοποιημένων προϊόντων και συσκευασιών επιτρέπει την ανακύκλωση υλικών. Η επανάχρηση ανακυκλωμένων υλικών βοηθάει την προστασία του περιβάλλον και μειώνει την ζήτηση για σπάνια υλικά.

Οι τοπικοί κανονισμοί μπορεί να παρέχουν ξεχωριστή συλλογή ηλεκτρικών προϊόντων από κατοικίες, δημοτικές τοποθεσίες απορριμμάτων ή από τον έμπορο όταν αγοράσατε το καινούργιο προϊόν.

Η Black & Decker δίνει τη δυνατότητα συλλογής και ανακύκλωσης των προϊόντων της που έχουν συμπληρώσει τη διάρκεια ζωής τους. Αν θέλετε να χρησιμοποιήσετε την εν λόγω υπηρεσία, επιστρέψτε το προϊόν σας σε οποιοδήποτε εξουσιοδοτημένο κέντρο επισκευών, όπου θα το παραλάβουν εκ μέρους σας.

Ενημερωθείτε για το πλησιέστερο κέντρο επισκευών της περιοχής σας, επικοινωνώντας με τα γραφεία της Black & Decker στη διεύθυνση που αναγράφεται στο εγχειρίδιο. Επίσης, για να πληροφορηθείτε τα εξουσιοδοτημένα κέντρα επισκευών της Black & Decker και τις λεπτομέρειες και τους αρμόδιους των υπηρεσιών που παρέχονται μετά την πώληση, μπορείτε να ανατρέξετε στο Διαδίκτυο στη διεύθυνση: www.2helpU.com

Τεχνικά χαρακτηριστικά

	VO1700	VO1700A VO1710
Τάση	V 230	230
Ισχύς εισόδου	W 1.700	1.700
Μήκος καλωδίου	m 4,5	5
Μέγεθος κάδου	l 2,5	2,5
Βάρος	kg 7	7

Δήλωση συμμόρφωσης με την Ευρωπαϊκή Κοινότητα

VO1700/VO1700A/VO1710

Η Black & Decker δηλώνει ότι τα προϊόντα αυτά συμμορφώνονται με:

89/336/ΕΟΚ, 73/23/ΕΟΚ, EN 55014, EN 61000, EN 60335

Στάθμη πίεσης ήχου, μετρημένη σύμφωνα με το πρότυπο EN 60704-1: 71 dB(A)

Kevin Hewitt
Διευθυντής Εξυπηρέτησης Πελατών
Spennymoor, County Durham DL16 6JG,
Αγγλία
1-12-2006

Αρ. εγγραφής σχεδιασμού για την Ευρωπαϊκή Ένωση
351606-0001

Εγγύηση

Η Black & Decker είναι σίγουρη για την ποιότητα των προϊόντων της και παρέχει σημαντική εγγύηση. Η παρούσα γραπτή εγγύηση αποτελεί πρόσθετο δικαίωμά σας και δεν ζημιώνει τα συνταγματικά σας δικαιώματα. Η εγγύηση ισχύει εντός της επικράτειας των Κρατών Μελών της Ευρωπαϊκής Ένωσης και της Ευρωπαϊκής Ζώνης Ελευθέρων Συναλλαγών.

Σε περίπτωση που κάποιο προϊόν της Black & Decker παρουσιάσει βλάβη εξαιτίας ελαττωματικών υλικών, ποιότητας εργασίας ή έλλειψης συμφωνίας με τις προδιαγραφές εντός 24 μηνών από την ημερομηνία αγοράς, η Black & Decker εγγυάται την αντικατάσταση των ελαττωματικών τμημάτων, την επισκευή προϊόντων που έχουν υποστεί εύλογη φθορά λόγω χρήσης ή την αντικατάσταση των προϊόντων προκειμένου να εξασφαλίσει την ελάχιστη ενόχληση στους πελάτες της, εκτός αν:

- ◆ Το προϊόν έχει χρησιμοποιηθεί σε εργασιακό, επαγγελματικό περιβάλλον ή αν έχει εννοικιαστεί
- ◆ Έχει γίνει εσφαλμένη χρήση του προϊόντος ή αν έχει παραμεληθεί
- ◆ Το προϊόν έχει υποστεί βλάβη από άλλα αντικείμενα, από ουσίες ή λόγω ατυχήματος
- ◆ Έχει γίνει προσπάθεια επισκευής από μη εξουσιοδοτημένα κέντρα επισκευών ή από προσωπικό που δεν ανήκει στο προσωπικό της Black & Decker

Για να ισχύσει η εγγύηση, πρέπει να υποβάλετε απόδειξη αγοράς στον πωλητή ή το εξουσιοδοτημένο κέντρο επισκευών. Ενημερωθείτε για το πλησιέστερο κέντρο επισκευών της περιοχής σας, επικοινωνώντας με τα γραφεία της Black & Decker στη διεύθυνση που αναγράφεται στο εγχειρίδιο. Επίσης, για να πληροφορηθείτε για τα εξουσιοδοτημένα κέντρα επισκευών της Black & Decker, τις λεπτομέρειες και τους αρμόδιους των υπηρεσιών που παρέχονται μετά την πώληση, μπορείτε να ανατρέξετε στο Διαδίκτυο στη διεύθυνση: www.2helpU.com

Παρακαλούμε να επισκεφτείτε την ιστοσελίδα μας www.blackanddecker.eu για να καταχωρήσετε το νέο σας προϊόν Black & Decker και για να ενημερώνετε για τα νέα προϊόντα και τις ειδικές προσφορές. Περισσότερες πληροφορίες σχετικά με τη μάρκα Black & Decker και τη σειρά προϊόντων μας θα βρείτε στη διεύθυνση www.blackanddecker.eu

Öngörülen kullanımı

Sahip olduğunuz Black & Decker elektrikli süpürge kuru maddeleri vakumlu süpürme yapmak için tasarlanmıştır. Bu ürün sadece ev işlerinde kullanım içindir.

Güvenlik talimatları

- ◆ **Uyarı!** Elektrikli aletleri kullanırken yangın, elektrik çarpması, kişisel yaralanmaların ve maddesel hasarların önüne geçmek için, aşağıdakileri de içeren temel güvenlik önlemlerine daima uymak gerekir.
- ◆ Cihazı kullanmadan önce bu kullanım kılavuzunu dikkatlice okuyunuz.
- ◆ Bu ürünün kullanım amacı bu kullanım kılavuzunda anlatılmıştır. Bu kullanım kılavuzunda belirtilen aksesuarların ya da yardımcı aletlerin kullanılmaması veya aletle tavsiye edilen dışındaki işlemlerin yapılması yaralanma riskinin doğmasına yol açabilir.
- ◆ Bu kullanım kılavuzunu gelecekteki kullanımlar için saklayın.

Cihazınızın kullanımı

- ◆ Güç kaynağına bağlamadan veya bağlantıyı kesmeden önce cihazın kapalı olduğundan emin olun.
- ◆ Cihazı kullanırken daima dikkatli olun.
- ◆ Cihazı açık havada kullanmayınız.
- ◆ Fişi prizden çekerken hiç bir zaman kablodan çekmeyin. Elektrik kablosunu sıcaklık kaynaklarından, yağdan ve keskin kenarlardan uzak tutun.
- ◆ Elektrik kablosu kullanım sırasında zarar görürse cihazı hemen prizden çekin. Güç kaynağıyla bağlantısını kesmeden güç kablosuna dokunmayın.
- ◆ Kullanımda olmadığı anda, parça takıp çıkarırken ve temizlik öncesinde cihazı güç kaynağından çekiniz.

Diğer şahısların güvenliği

- ◆ Çocukların ve bu kullanım talimatlarını bilmeyen kişilerin cihazı kullanmasına engel olun.
- ◆ Çocukların veya hayvanların çalışma alanına girmesine ve elektrik kablosuna dokunmasına izin vermeyin. Eğer bu cihaz çocukların bulunduğu yerin yakınlarında kullanılacaksa yakın gözetim gereklidir.

Kullanımdan sonra

- ◆ Cihazı kullanmadığınızda ve cihazın çeşitli parçalarının değiştirilmesinden, temizliğinden veya bakımından önce cihazı kapatınız ve fişini prizden çekiniz.
- ◆ Kullanılmadığı zaman, cihaz mutlaka kuru bir yerde saklanmalıdır. Saklanan cihazlara çocuklar erişmemelidir.

Cihazın kontrolü ve tamiri

- ◆ Kullanımdan önce cihazın veya herhangi bir parçasının arızalı olup olmadığını kontrol edin.

Parçaların çatlak olup olmadığını, düğmelerinin arızalı olup olmadığını ve düzgün işlemeyi etkileyecek diğer şartların kontrolünü yapın.

- ◆ Cihazı, herhangi bir parçasının hasarlı veya kusurlu olması durumunda kullanmayın.
- ◆ Hasarlı veya kusurlu parçaların yetkili tamir servisleri tarafından tamir edilmesini veya değiştirilmesini sağlayın.
- ◆ Kullanımdan önce elektrik kablosunun arızalı veya eski gibi görünüp görünmediğinin kontrolünü yapın.
- ◆ Elektrik kablosu veya elektrik fişi arızalı ya da kusurluysa cihazı kullanmayın.
- ◆ Elektrik kablosu veya elektrik fişi arızalı ya da kusurluysa, olası tehlikeleri engellemek için bunların değişimini yetkili servis yapmalıdır. Elektrik kablosunu kesmeyin ve bunu kendiniz tamir etmeye çalışmayın.
- ◆ Bu kullanım kılavuzunda belirtilen parçaların dışındaki hiç bir parçayı değiştirmeye veya sökmeye çalışmayın.

Elektrik güvenliği



Bu alet ikili izolasyonludur; bu nedenle topraklı kabloya ihtiyaç yoktur. Daima şebeke voltajının, adaptörünüzün üstünde yazılı olan voltajla aynı olmasına dikkat edin.

- ◆ Bu alet, denetim olmadan genç veya kuvvetsiz insanların kullanması için tasarlanmamıştır. Aletle oynamalarını temin etmek üzere çocuklara nezaret edilmelidir.
- ◆ Besleme kordonu hasarlıysa, bir tehlikeyi önlemek için kordon üretici veya yetkili bir Black & Decker Servis Merkezinde tarafından değiştirilmelidir.

Elektrikli aletler için ek güvenlik talimatları

- ◆ Kullanmadan önce, filtrelerin daima doğru olarak yerleştirildiğine emin olun. Bütün filtreler yerinde olmadan cihazı kullanmayın.
- ◆ Cihazı kap tutucudan taşımayın.
- ◆ Cihazı sıvıları toplamak için kullanmayın.
- ◆ Cihazı alev alabilecek malzemeleri toplamak için kullanmayın.
- ◆ Cihazı suyun yakınında kullanmayın. Cihazı suya sokmayın.
- ◆ Motordan çıkan hava akımını gözlerinizden ve yüzünüzden uzak tutun.
- ◆ Bu cihazı kullanırken çocukları ve hayvanları güvenli bir mesafede tutun.
- ◆ Cihazı merdivenlerde kullanırken daima en aşağıdan başlayın ve cihazı, bulunduğunuz konumdan en azından bir basamak aşağıda tutun.
- ◆ Cihazı kullanırken elektrik kablosunun ve hortumun konumuna daima dikkat edin.
- ◆ Cihazı, boru üzerine takılmış bir emme kafası veya uygun bir aksesuar olmadan kullanmayın.

- ◆ Kullandıktan sonra, elektrik kablosunun tamamını sarın ve cihazı temiz bir ortamda saklayın.
- ◆ Saçlarınızı, elbiselerinizi ve eldivenlerinizi hareketli parçalardan uzak tutun.
- ◆ Hasarlı aksesuarları kullanmayın.
- ◆ Sadece Black & Decker aksesuarlarını kullanın.

- ◆ Boruyu (6) kafanın (7) içine itin.
- ◆ Kafayı çıkartmak için, boruyu kafadan çekin.

VO1710 - Parke taban başının monte edilmesi (şek. F)

Parke taban başı (13), ahşap ve cıvalı yüzeylerde temizleme yapmak için uygundur.

- ◆ Boruyu (6) kafanın (13) içine itin.
- ◆ Kafayı çıkartmak için, boruyu kafadan çekin.

Aksesuarların monte edilmesi (şek. F & G)

Aralık ucu (10), dar ve erişilmesi güç yerlerin temizlenmesi için kullanılmaktadır. Fırça ucu (11), mobilyaları, çekme perdeleri, perdeleri ve merdivenleri temizlemek için kullanılmaktadır. Aksesuarlar hem hortuma (4) ve hem de boruya (6) monte edilebilir. Kullanılmadıkları zaman aksesuarlar aksesuar tutucunun (12) içinde saklanabilir.

- ◆ Aksesuarı tutucunun içinden çıkartın (şek. G).
- ◆ Aksesuarı hortum ucuna (19) veya boruya (6) itin (şek. F).
- ◆ Aksesuarı çıkartmak için, aksesuarı hortum ucundan veya borudan çekin.

Kullanım

Elektrik kablosunun açılması ve sarılması (şek. A)

Kablo sarma düğmesi (2) el veya ayak ile çalıştırılabilir.

- ◆ Cihazın arkasından yeterli uzunlukta kordon çekin.
- ◆ Kullanımdan sonra, kabloyu birimin içine çekmek için sarma düğmesine basın. Kordonu, geri sarmamasını temin etmek için manuel olarak kontrol edin. Elektrik fişinin doğru olarak yerleşmiş olduğuna emin olun.

VO1710 - Boru uzunluğunun ayarlanması (şek. H)

Uzatma borusu (6) aşağıda açıklandığı gibi ayarlanabilir:

- ◆ Düğmeyi (20) itin ve boruyu istenen yüksekliğe çıkarın.
- ◆ Düğmeyi serbest bırakın.

Emme kafasının ayarlanması (şek. F)

- ◆ Halıların temizlenmesi için, fırça çalıştırıcıyı (21) yukarı konumuna getirin.
- ◆ Laminatları, karo fayansları v.s. temizlerken, fırça çalıştırıcıyı aşağı konuma getirin.

Cihazı açıp kapatma (şek. A)

Açma/kapatma düğmesi (1) el veya ayak ile çalıştırılabilir.

- ◆ Cihazı açmak için, açma/kapatma düğmesine (1) basın.
- ◆ Cihazı kapatmak için, açma/kapatma düğmesine (1) tekrar basın.

Hava akımının ayarlanması (şek. I)

Hava akımını istendiği ayarlamak için, hava akım anahtarını (5) hareket ettirin.

Özellikler

Bu cihaz aşağıdaki özelliklerin tamamını veya bir kısmını ihtiva etmektedir (şek. A).

1. Açma/kapama düğmesi
2. Kablo geri sarma düğmesi
3. Tutacak
4. Hortum
5. Hava akımı kontrol anahtarı
6. Boru
7. Emme kafası
8. Torba
9. Çarklar

İlaveten, cihaz aşağıdaki aksesuarların bazıları veya tamamı ile birlikte temin edilmektedir (şek. B):

10. Aralık ucu
11. Fırça ucu
12. Aksesuar tutucu
13. Parke taban başı (VO1710)

Parke taban başı bütün modellere dahil edilmemiştir.

Bu aksesuar Black & Decker bayiinizden / servis merkezinizden temin edilebilir.

Montaj

Hortumun bağlanması (şek. C)

- ◆ Hortum bağlantısını (15) cihazın girişinin (14) içine takın.
- ◆ Serbest bırakma düğmeleri (16) yerine oturana kadar hortumu itin.
- ◆ Hortumu çıkartmak için, serbest bırakma düğmelerine basın ve hortumu çekin.

VO1700/VO1700A - Borunun kurulumu (şek. D)

- ◆ Alt boru ile üst boru tam olarak yerine oturana kadar, alt boruyu (17) üst borunun (18) içine iyice itin.

Borunun bağlanması (şek. E)

- ◆ Hortumun ucunu (19) borunun (6) içine itin.
- ◆ Boruyu çıkartmak için, hortumu borudan çekin.

Emme kafasının monte edilmesi (şek. F)

Emme kafası (7) halı ve sert zeminlerde (örneğin, laminat ve karo fayanslar) temizleme işlemlerine uygundur.

Temizleme

- ◆ Cihazı çalıştırırken, hortumun takılmadığına, dönmediğine veya sarılmadığına emin olun.
- ◆ Aşırı ısınma olması halinde, ısı kesme fonksiyonu çalışacak ve cihaz otomatik olarak duracaktır.
- ◆ Cihazın çalışması durursa, cihazın fişini çekin ve devam etmeden önce cihazın 2-3 saat soğumasını bekleyin.

Optimal kullanım metodları

- ◆ Merdivenleri temizlerken, daima aşağıdan başlayın ve işinize yukarı doğru devam edin. Cihazı zemine yerleştirin ve merdivenleri yarıya kadar temizleyin. Daha sonra cihazı çalışmakta olduğunuz basamaktan en az bir basamak aşağıya sabit bir konuma taşıyın ve merdivenlerin kalan yarısını yukarı doğru temizleyin.

Cihazın taşınması (şek. A)

Kullanım sırasında cihaz tutacak (3) kullanılacak suretiyle taşınabilir.

Emme kafasının geçici olarak saklanması (şek. J)

- ◆ Emme kafasının geçici olarak saklanması için park konumunu (22) kullanın.

Cihazın saklanması (şek. K)

Uyarı! Cihazı saklarken, cihazı kapatın ve prizden çekin.

- ◆ Kordonun tama olarak sarılmış olduğuna emin olun.
- ◆ Cihazı dik konumda yerleştirin.
- ◆ Boruyu park konumunda (28) saklayın.
- ◆ Cihazı kuru bir yerde saklayın.

Bakım

Black & Decker cihazınız, minimum bakım ile uzun süreli çalışabilecek şekilde tasarlanmıştır. Sürekli tatmin edici işletim, düzgün bir cihaz bakımı ve düzenli temizlemeye dayanmaktadır.

Uyarı! Cihazı bakıma almadan veya temizlemeden önce cihazın fişini prizden çekin.

- ◆ Yumuşak bir fırça veya kuru bir bez kullanarak düzenli olarak cihazınızdaki havalandırma deliklerini temizleyin.
- ◆ Nemli bir bez kullanarak motor muhafazasını düzenli olarak temizleyin. Aşındırıcı veya solventli temizleyici kullanmayın.

Torbanın boşaltılması (şek. L & M)

Maksimum işarete ulaşıldığı zaman torba (8) boşaltılmalıdır.

- ◆ Hortumu çıkartın.
- ◆ Serbest bırakma düğmesi (30).
- ◆ Kapak (31) yerine oturana kadar kaldırın (şek. L).
- ◆ Torbayı tutacağından (29) tutun. Torbayı (8) cihazdan çıkartın.
- ◆ Torbayı çöp bidonunun üzerine tutun.

- ◆ Torbayı açmak için serbest bırakma düğmesine (32) basın (şek. M). Torbayı gerektiği şekilde boşaltın.
- ◆ Kilit mandalın içine yerleşene kadar tabanı (33) yukarı doğru hareket ettirmek suretiyle kapatın.
- ◆ Torbayı cihazın içine tekrar yerleştirin.
- ◆ Kapak yerine tam kilitlenene kadar kapatın.

Temizlik

Uyarı! Cihazı temizlemeden ve bakıma almadan önce, cihazı kapatın ve prizden çekin.

- ◆ Zaman zaman cihazı nemli bir bez ile silin. Aşındırıcı veya solventli temizleyici kullanmayın. Cihazı suya sokmayın.

Torba filtresinin temizlenmesi (şek. L - O)

Torba filtresi, motor muhafazasına giren toz miktarını minimuma indirir. Filtre tekrar kullanılabilir. Verimli bir emme performansı sağlamak için, filtre her hafta veya emme performansı belirgin bir şekilde düştüğü zaman temizlenmelidir. Cihaza yardımcı bir vana takılmıştır. Filtre tıkanıldığı zaman, vananın işletimi sesli olur. Bu normaldir ve bir problem belirtisi değildir. Cihazı kapatın ve filtreleri temizlemeden önce cihazın fişini prizden çekin.

- ◆ Torbayı (8) cihazın içinden çıkartın (şek. L).
- ◆ Torbayı boşaltın (şek. M).
- ◆ Kartuşu (34) saatin ters yönünde çevirmek suretiyle çıkartın (şek. N).
- ◆ Filtreyi (35) gevşetin ve torbadan çıkartın.
- ◆ Filtreyi hafifçe bir çöp kutusuna vurmak suretiyle fazla tozu silkeleyin.

Uyarı! Filtreyi temizlemek için fırçalamayın veya basınçlı hava kullanmayın.

- ◆ Filtrenin durumuna göre, filtrenin dış kısmını su ile silin. Filtreyi tekrar yerine takmadan önce kuruması için 24 saat bekleyin.

Uyarı! Filtrenin iç kısmını su ile yıkamayın.

- ◆ Izgaranın tam altında bulunan filtreyi cihazını (36) çıkartın ve tekrar yerine takmadan önce seyrek tozları fırçalayın (şek. O).
- ◆ Torba filtresini tekrar takın ve sıkıştırın.
- ◆ Kartuşu tekrar yerleştirin.
- ◆ Filtreyi tekrar yerine taktıktan sonra torbayı kapatın.
- ◆ Torbayı cihazın içine tekrar yerleştirin.

Motor filtresinin temizlenmesi (şek. L & P)

Torba çıkartıldığı zaman, motor filtresi parçacıkların ve daha büyük nesnelerin motor muhafazasına girmesini engeller. Filtre tekrar kullanılabilir ve düzenli olarak temizlenmelidir.

- ◆ Kapağı (31) açın (şek. L).
- ◆ Filtreyi (37) çıkartın (şek. P).
- ◆ Filtredeki seyrek tozları fırçalayın.
- ◆ Filtreyi değiştirin.
- ◆ Kapağı kapatın.

Filtrelerin değiştirilmesi (şek. L - Q)

Torba filtresi her 6 ila 9 ayda bir veya yıprandığı veya yırtıldığı zaman değiştirilmelidir. Torba filtresini değiştirirken, aynı zamanda motor filtresi ve çıkış filtreleri de değiştirilmelidir. Yeni filtre setleri Black & Decker satıcılarından temin edilebilir.

Torba filtresinin değiştirilmesi (şek. L - O)

- ◆ Filtreleri değiştirmek için yukarıda açıklandığı gibi işlem yapın.

Motor filtresinin değiştirilmesi (şek. L & P)

- ◆ Filtreleri değiştirmek için yukarıda açıklandığı gibi işlem yapın.

VO1700A - Çıkış filtresi değiştirilmesi (şek. Q)

- ◆ Kapağı (38) açın.
- ◆ Eski filtreyi (39) çıkartın.
- ◆ Yeni filtreyi resimde gösterildiği gibi takın.
- ◆ Kapağı kapatın.

VO1700/VO1710 - HEPA filtresinin değiştirilmesi (şek. Q)

HEPA filtresi, motor muhafazasından çıkan toz miktarını minimuma indirger.

- ◆ Filtreleri değiştirmek için yukarıda açıklandığı gibi işlem yapın.

Çevreyi koruma

Ayrı biriktirme. Bu ürün normal ev atıkları ile çöpe atılmamalıdır.

Black & Decker ürününüz şayet bir gün değiştirilmesi gerekiyor ise, veya bundan böyle sizin için kullanılmayacak ise bu aleti normal ev atıkları ile çöpe atmayın. Bu ürünü ayrı bir biriktirme için ayırın.



Kullanılmış ürünlerin ayrıca biriktirilmesi ve paketlenmesi malzemelerin yeniden dönüşümüne ve yeniden kullanımına izin vermektedir. Yeniden dönüşümü olan malzemelerin yeniden kullanımı, çevre kirliliğini önlenmesine yardım etmekte ve ham maddeye olan talebi indirmektedir.

Yerel yönetmelikler, yeni bir ürün satın aldığınız zaman, belediye atık bölgelerinde veya perakendeciler tarafından evlerden elektrikli aletlerin ayrı olarak biriktirilmesini sağlayabilir.

Black & Decker ürünleri çalışma ömürlerini tamamladıklarında, Black & Decker bunların geri kazandırılması ve biriktirilmesi için kolaylıklar sağlamaktadır. Bu hizmetten yararlanmak için elinizdeki ürünü, bizim yerimize ürünleri toplayan yetkili bir tamir servisine götürün.

Bu kılavuzda belirtilen adresteki yerel Black & Decker ofisine başvurarak size en yakın yetkili tamir servisinin yerini öğrenebilirsiniz. Alternatif olarak aşağıdaki Internet adresinden, Black & Decker yetkili tamir servislerinin listesini ve satış sonrası hizmet veren yetkililerin tam detaylarını öğrenebilirsiniz. www.2helpU.com

Teknik veriler

	VO1700	VO1700A VO1710
Voltaj	V 230	230
Güç girişi	1.700	1.700
Kablo uzunluğu	m 4,5	5
Hazne büyüklüğü	l 2,5	2,5
Ağırlık	kg 7	7

EC'ye uygunluk beyanı

VO1700/VO1700A/VO1710

Black & Decker firması ürünlerinin

89/336/EEC, 73/23/EEC, EN 55014, EN 61000, EN 60335 normuna uyduğunu beyan eder.

EN 60704-1 uyarınca ölçülmüş ses basıncı seviyesi: 71 dB(A)

Kevin Hewitt
Director of Consumer Engineering
Spennymoor, County Durham DL16 6JG,
İngiltere
1-12-2006

Avrupa Topluluğu tasarım tescil no. 351606-0001

Garanti

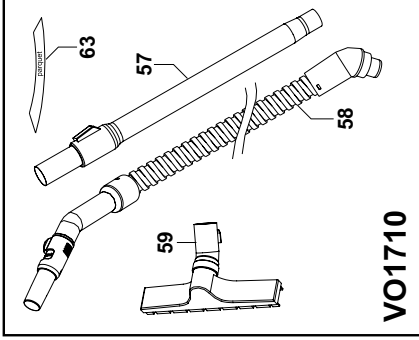
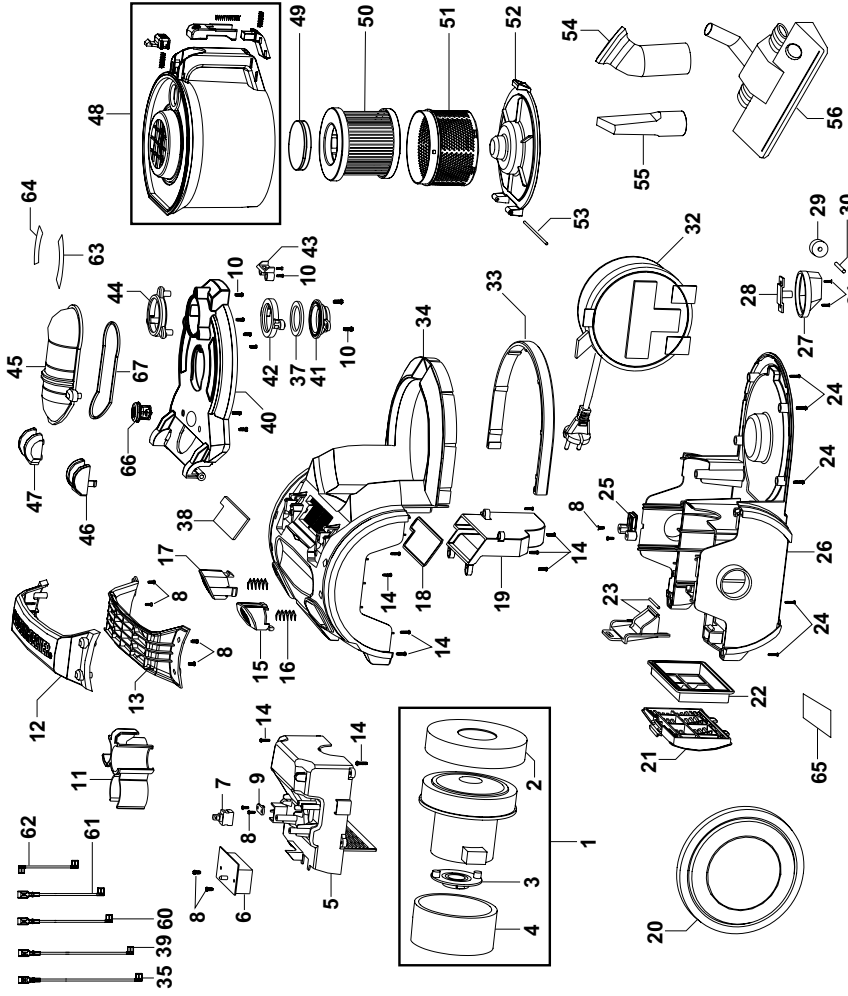
Black & Decker, ürünün kalitesinden emindir ve ürün için üstün bir garanti sunar. Ayrıca bu garanti belgesi, hiçbir şekilde kanuni haklarınızın olmasını gerektirmez.

Eğer bir Black & Decker ürünü, hatalı malzeme ve işçilik nedeniyle bozulursa, satın alma tarihinden 24 ay içinde müşteriye mümkün olabilecek en az sorunu yaşatabilmek için Black & Decker hatalı kısımları değiştirmeyi, belirgin bir şekilde yıpranmış veya hasar görmüş kısımları onarmayı veya değiştirmeyi kabul eder; ancak bu belirtilenler şu durumlar dışında geçerlidir:

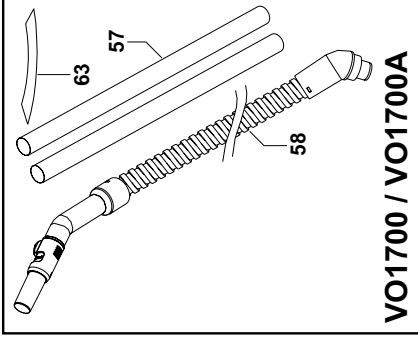
- ◆ Ürün ticari veya profesyonel amaçlarla kullanılmışsa veya kiraya verilmişse;
- ◆ Ürün yanlış veya amaç dışı kullanılmışsa;
- ◆ Ürün yabancı nesnelere, maddelere veya kaza sırasında zarar görmüşse;
- ◆ Yetkili tamir servisleri veya Black & Decker servis ekibinden başkası tarafından tamir yapılmaya kalkılmışsa.

Garanti talebinde bulunmak için, satıcıya veya yetkili tamir servisine satın aldığınıza dair ispat sunmalısınız. Bu kılavuzda belirtilen adresteki yerel Black & Decker ofisine başvurarak size en yakın yetkili tamir servisinin yerini öğrenebilirsiniz. Ya da, İnternet'te Black & Decker yetkili tamir servislerinin listesini ve satış sonrası hizmet veren yetkililerin tam detaylarını öğrenebilirsiniz. Bu site: www.2helpU.com adresindedir.

Yeni ürünler ve özel imkanlar hakkında sürekli güncel bilgi almak için lütfen www.blackanddecker.com adresinde bulunan web sitemize kayıt olun. Black & Decker markası ve ürün yelpazemiz hakkında daha fazla bilgi www.blackanddecker.com adresinde bulunmaktadır.



VO1710



VO1700 / VO1700A

Australia	Black & Decker (Australia) Pty. Ltd. 20 Fletcher Road, Mooroolbark, Victoria, 3138	Tel. 03-8720 5100 Fax 03-9727 5940
België/Belgique	Black & Decker (Belgium) N.V. Nieuwlandlaan 321 3200 Aarschot	Tel. 16 68 91 00 Fax 016 68 91 11
Danmark	Black & Decker Sluseholmen 2-4, 2450 København SV Internet: www.blackanddecker.dk	Tel. 70 20 15 10 Fax 70 22 49 10
Deutschland	Black & Decker GmbH Black & Decker Str. 40, D - 65510 Idstein	Tel. 06126/21 - 0 Fax 06126/21 29 80
Ελλάδα	Black & Decker (Ελλάς) A.E. Στράβωνος 7 & Λεωφ. Βουλιαγμένης 159 166 74 Γλυφάδα - Αθήνα	Τηλ. 210 8981616 Φαξ 210 8983285 www.blackanddecker.eu
España	Black & Decker Ibérica, S.C.A. Parc de Negocis "Mas Blau" Edificio Muntadas, c/Bergadá, 1, Of. A6 08820 El Prat de Llobregat (Barcelona)	Tel. 934 797 400 Fax 934 797 419
France	Black & Decker (France) S.A.S. B.P. 21, 69571 Dardilly Cédex	Tel. 04 72 20 39 20 Fax 04 72 20 39 00
Helvetia	ROFO AG Gewerbezone Seeblick 3213 Kleinbödingen	Tel. 026-6749391 Fax 026-6749394
Italia	Black & Decker Italia SpA Viale Elvezia 2 20052 Monza (MI)	Tel. 039-23871 Fax 039-2387592/2387594 Numero verde 800-213935
Nederland	Black & Decker Benelux Joulehof 12, 4622 RG Bergen op Zoom	Tel. 0164 - 283000 Fax 0164 - 283100
New Zealand	Black & Decker 81 Hugo Johnston Drive Penrose, Auckland, New Zealand	Tel. 09 579 7600 Fax 09 579 8200
Norge	Black & Decker (Norge) A/S Postboks 4814, Nydalen, 0422 Oslo Internet: www.blackanddecker.no	Tlf. 22 90 99 00 Fax 22 90 99 01
Österreich	Black & Decker Vertriebsges.m.b.H Oberlaaerstraße 246, A1100 Wien	Tel. 01 66116-0 Fax 01 66116-14
Portugal	Black & Decker Rua Egas Moniz 173 S. João do Estoril 2766-651 Estoril	Tel. 214667500 Fax 214667580
Suomi	Black & Decker Oy Keilasatama 3, 02150 Espoo Black & Decker Oy, Kägelhamnen 3, 02150 Esbo	Puh. 010 400 430 Faksi (09) 2510 7100 Tel. 010 400 430 Fax (09) 2510 7100
Sverige	Black & Decker AB Fabriksg. 7, 412 50 Göteborg	Tel. 031-68 60 60 Fax 031-68 60 80
United Kingdom	Black & Decker 210 Bath Road Slough, Berkshire SL1 3YD	Tel. 01753 511234 Fax 01753 551155 Helpline 01753 574277
Middle East & Africa	Black & Decker (Overseas) A.G. PB 5420, Dubai, United Arab Emirates	Tel. +971 4 2826464 Fax +971 4 2826466

Dealer address
 Händleradresse
 Cachet du revendeur
 Indirizzo del rivenditore
 Adres van de dealer
 Dirección del detallista
 Morada do revendedor
 Aterforsäljarens adresse
 Forhandlerens adresse
 Jälleenmyyjän osoite
 Διεύθυνση αντιπροσώπου

Date of purchase
 Kaufdatum
 Date d'achat
 Data d'acquisto
 Aankoopdatum
 Fecha de compra
 Data de compra
 Inköpsdatum
 Imkjõpsdato
 Indköpsdato
 Ostopäivä
 Ημερομηνία αγοράς

Name ♦ Name ♦ Nom ♦ Nome
 Naam ♦ Nombre ♦ Nome ♦ Namm
 Navn ♦ Navn ♦ Nimi ♦ Διεύθυνση:

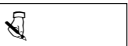
 Address ♦ Adresse ♦ Indirizzo ♦
 Adres ♦ Dirección ♦ Morada ♦ Address ♦
 Adresse ♦ Adresse ♦ Osoite ♦ Διεύθυνση:

 Town ♦ Ort ♦ Ville ♦ Città ♦ Plaats
 Ciudad ♦ Localidade ♦ Ort ♦ By ♦ By
 Paikkakunta ♦ Πόλη:

 Postal code ♦ Postleitzahl ♦ Code postal
 Codice postale ♦ Postcode
 Código ♦ Código postal ♦ Postnr.
 Postnr. ♦ Postnr. ♦ Postnummero
 Κωδικός

Is this tool a gift? ♦ Ist dieses Gerät ein Geschenk? ♦ S'agit-il d'un cadeau? ♦ Si tratta di un regalo? ♦ Kreeg u de machine als cadeau? ♦ ¿Ha recibido usted esta herramienta como regalo? ♦ Recébeu esta ferramenta como presente? ♦ Är verktyget en gåva? ♦ Er verktyget en gave? ♦ Onko kone lahja? ♦ Το εργαλείο είναι δώρο
 Yes ♦ Ja ♦ Oui ♦ Si ♦ Ja ♦ Si
 Sim ♦ Ja ♦ Ja ♦ Ja ♦ Kyllä ♦ Nai
 No ♦ Nein ♦ Non ♦ No ♦ No ♦ Nee
 No ♦ Não ♦ Nej ♦ Nei ♦ Nej
 Ei ♦ Oxi
 Is this tool your first purchase? ♦ Ist dieses Gerät ein Erstkauf? ♦ Est-ce un 1er achat? ♦ Questo prodotto è il suo primo acquisto? ♦ ¿Es esta herramienta la primera de este tipo? ♦ Esta herramienta é a sua primeira compra? ♦ Är detta ditt första B&D-verktyg? ♦ Er dette ditt første B&D verktyg? ♦ Onko tämä ensimmäinen B&D-koneesi? ♦ Είναι το εργαλείο αυτό η πρώτη σας αγορά?

Yes ♦ Ja ♦ Oui ♦ Si ♦ Ja ♦ Si
 Sim ♦ Ja ♦ Ja ♦ Ja ♦ Kyllä ♦ Nai
 No ♦ Nein ♦ Non ♦ No ♦ No ♦ Nee
 No ♦ Não ♦ Nej ♦ Nei ♦ Nej
 Ei ♦ Oxi
 Dealer address ♦ Händleradresse
 Cachet du revendeur ♦ Indirizzo del rivenditore ♦ Adres van de dealer
 Dirección del detallista ♦ Morada do revendedor ♦ Aterforsäljarens adress
 Forhandlerens adresse ♦ Forhandler adresse
 Jälleenmyyjän osoite
 Διεύθυνση αντιπροσώπου

Cat. no.: 

Data protection act: Tick the box if you prefer not to receive further information.
 Bitte ankreuzen, falls Sie keine weiteren Informationen erhalten möchten. ♦ Si vous ne souhaitez pas recevoir d'informations, cochez cette case. ♦ Barrate la casella se non desiderate ricevere informazioni.
 A.u.b. dit vakje aankruisen indien u geen informatie wenst te ontvangen.
 Señale en la casilla sino quiere recibir información. ♦ Por favor, assinala com uma cruz se não desejar receber informação.
 Vänligen kryssa för i rutan om Ni inte vill ha information.
 Vennligst kryss av dersom du ikke ønsker informasjon. ♦ Venligst sæt kryds i ruden såfremt De ikke måtte ønske at modtage information.
 Merkittä rasi ruutuun, mikäli ette halua vastaanottaa informaatiota.
 Παρακαλείστε να σημειώσετε εάν δεν θέλετε να λάβετε πληροφορίες.

- ◆ GUARANTEE CARD
- ◆ GARANTIEKAART
- ◆ GARANTI KORT
- ◆ GARANTIEKARTE
- ◆ TARJETA DE GARANTÍA
- ◆ GARANTI KORT
- ◆ CARTE DE GARANTIE
- ◆ CARTÃO DE GARANTIA
- ◆ TAKUKORTTI
- ◆ TAGLIANDO DI GARANZIA
- ◆ GARANTIBEVIS
- ◆ KAPTA ETYHSHZ

12/06



English	Please complete this section immediately after the purchase of your tool and send it to Black & Decker in your country. If you live in Australia or New Zealand, please register by using the alternative guarantee card supplied.	Português	Por favor, recorte esta parte, coloque-a num envelope selado e enderegado e envie-o logo após a compra do seu produto para o endereço da Black & Decker do seu país. Var vänlig klipp ur denna del och sänd den i ett frankerat kuvert till Black & Deckers adress i Ditt land. Vennligst klipp ut denne delen umiddelbart etter du har pakket ut ditt produkt og legg det i en adressert konvolutt til Black & Decker (Norge) AS. Vennligst klip denne del ud og send frankeret til Black & Decker i ditt land.
Deutsch	Bitte schneiden Sie diesen Abschnitt ab, stecken ihn in einen frankierten Umschlag und schicken ihn an die Black & Decker Adresse Ihres Landes.	Svenska	Vänligst klipp ut denna del och sänd den i ett frankerat kuvert till Black & Deckers adress i Ditt land. Vennligst klipp ut denne delen umiddelbart etter du har pakket ut ditt produkt og legg det i en adressert konvolutt til Black & Decker (Norge) AS.
Français	Découpez cette partie et envoyez-la sous enveloppe timbrée à l'adresse de Black & Decker dans votre pays, ceci immédiatement après votre achat.	Norsk	Vennligst klipp ut denne delen umiddelbart etter du har pakket ut ditt produkt og legg det i en adressert konvolutt til Black & Decker (Norge) AS.
Italiano	Per favore ritagliate questa parte, inseritela in una busta con francobollo e speditea subito dopo l'acquisto del prodotto all'indirizzo della Black & Decker nella vostra nazione.	Dansk	Venligst klip denne del ud og send frankeret til Black & Decker i ditt land.
Nederlands	Knip dit gedeelte uit en zend het direct na aankoop in een gefrankeerde, geadresseerde envelop naar het adres van Black & Decker in uw land.	Suomi	Leikkaa iriti tämä osa, laita se kuoreen ja postita kuori paikalliseen Black & Deckers osoitteeseen.
Español	Después de haber comprado su herramienta envíe usted, por favor, esta tarjeta a la central de Black & Decker en su país.	Ελληνικά	Τηρώστε και κολλήστε αμέσως μετά την αγορά του προϊόντος στο πακέτο που περιέχει το προϊόν και στείλετε το στην διεύθυνση της Black & Decker στην Ελλάδα.