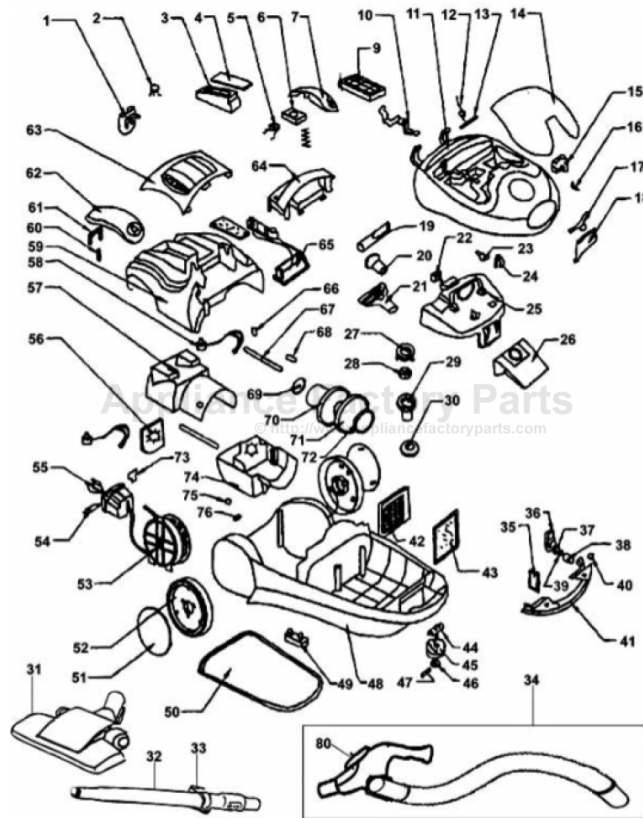


This Owner's Manual is provided and hosted by [Appliance Factory Parts](http://Appliance Factory Parts).



# Black & Decker VM800 Owner's Manual

[Shop genuine replacement parts for Black & Decker VM800](#)



[Find Your Black & Decker Vacuum Cleaner Parts - Select From 339 Models](#)

----- Manual continues below -----

**BLACK&DECKER®**

**1400W**

**1600W**

**1800W**

# VACUUM CLEANERS

MODELS: VM400 / VM650 / VM800



## AUSTRALIA/ NEW ZEALAND

Consistent with our continuing product development, improvements may have been made which render the contents of this instruction manual slightly different to the product received.

# **Congratulations!**

## **On the purchase of your Black & Decker Vacuum Cleaner**

**To ensure the best results from your Vacuum Cleaner please read these safety and usage instructions carefully. If you have any questions or queries after reading this user manual please do not hesitate to call our Service and Information Centre.**

### **Service and Information Centre:**

#### **Australia**

20 Fletcher Road, MOOROOLBARK, Victoria 3138

Tel: (03) 8720 5100 Fax: (03) 9727 5904

#### **New Zealand**

81 Hugo Johnston Drive, PENROSE, Auckland, New Zealand.

Tel: (64 9) 579 7600 FreeFax: 0800 339 258

### **For Repair or Service in Australia:**

See "Electric Tools-Retail and/or Repairs" section of Yellow Pages, otherwise Tel: 1800 654 155 to be connected to your nearest Service Agent.



### **First Use Safety Recommendation**

Please read through this booklet for safe and efficient use of this vacuum cleaner. We urge you to read the "Important Safeguards" section and also follow all detailed instructions even if you are familiar with a similar appliance.

Keep this guide handy for future reference.

## VM400



### VM400 Parts Identification

1. Telescopic chrome tube
2. Rotary hose
3. Accessories compartment
4. Filter
5. Electronic speed control
6. Electronic dust bag indicator
7. ON/OFF switch
8. Auto cord rewind
9. Roller brush

## VM650



### VM650 Parts Identification

1. Telescopic chrome tube
2. Rotary hose
3. Accessories compartment
4. HEPA Filter
5. Electronic speed control
6. Electronic dust bag indicator
7. ON/OFF switch
8. Auto cord rewind
9. Chrome roller brush

## VM800



### VM800 Parts Identification

1. Battery compartment
2. Infra red remote control
3. Telescopic chrome tube
4. Rotary hose
5. Accessories compartment
6. HEPA Filter
7. ON/OFF switch
8. Electronic dust bag indicator
9. LED display
10. Auto cord rewind
11. Chrome roller brush

## IMPORTANT SAFEGUARDS

When using electrical appliances, in order to reduce the risk of fire, electric shock, and/or injury to persons, basic safety precautions should be followed, including the following:

- Read all instructions carefully, even if you are familiar with the appliance.
- To protect against the risk of electric shock, **DO NOT IMMERSE** the appliance, cord set or plug in water or other liquids.
- To clean, wipe the exterior with a damp cloth.
- Close supervision is necessary when any appliance is used by or near children. Never leave an appliance unattended when in use.
- Switch off and remove the plug from the power outlet when not in use before assembling or disassembling parts, and pull from power outlet. Never pull the cord.
- Do not operate any appliance with a damaged cord or plug, or after the appliance malfunctions, or is dropped or damaged in any manner. Return the complete appliance to your nearest authorised service facility for examination, electrical repair, mechanical repair or adjustment.
- The use of attachments or accessories not recommended or sold by this appliance manufacturer may result in fire, electric shock or personal injury.
- Do not let the cord hang over the edge of a table, counter, or touch hot surfaces.
- Avoid touching hot surfaces, use handles and knobs.
- Do not operate or place any part of this appliance on or near any hot surfaces (such as gas or electric burner or in a heated oven).
- Do not abuse the cord. Never carry the appliance by the cord or yank it to disconnect it from the outlet; instead, grasp the plug and pull to disconnect.
- When using an extension cord with your appliance, make sure the extension cord is correctly wired and rated for its use.
- This product is intended for household use only.
- Do not attempt to repair the appliance yourself; instead, take it to your Black & Decker-Owned or Authorised Service Centre for repair.
- This appliance is not intended for use by young or infirm persons without supervision.
- Children must be supervised to ensure they do not play with this appliance.

## BLACK & DECKER HOME APPLIANCE 2 FULL YEAR WARRANTY

Black & Decker provides a 2 Full Year Warranty for this product from the date of purchase against defects due to defective materials or workmanship. Motor/element burn-outs due to voltage fluctuations are not covered under warranty. If the product should become defective within the warranty period, Black & Decker will repair or replace

it free of charge.

The warranty provisions do not cover failure due to accident, misuse, abuse, negligence or non observation of local regulations on the part of the user. Equally, the warranty provisions do not apply where the appliance has been serviced by a person not authorised by Black & Decker or serviced with non-approved parts and this has contributed to the fault of the product. Superseded models without a replacement equivalent will either be repaired or (at Black & Decker's discretion) replaced with another product of similar retail value.

## MAKING A CLAIM

Take your defective product together with the Warranty Registration Card & purchase receipt to your local service Centre. You can either do this in person or send it freight prepaid. If mailing or shipping your appliance, ensure the unit is packed carefully in a sturdy carton with enough packing material to prevent damage. Include a note describing the problem to the Service Centre and be sure to give your return address.

## DESIGNED FOR DOMESTIC PURPOSES ONLY

## YOUR VACUUM CLEANER FEATURES

- **VM400: 1400 watts of power** tackles most jobs  
**VM650: 1600 watts of power** tackles tough jobs  
**VM800: 1800 watts of power** for extreme cleaning
- **VM400: 2.0 litre dustbag**  
**VM650: 4.5 litre dustbag**  
**VM800: 4.5 litre dustbag**
- **Chrome telescopic tube** combines stylish looks with durability and convenience
- **Roller brush** makes it convenient to use and minimizes fatigue
- **VM400 & VM650: Electronic speed control** for greater control and a variety of tasks.  
**VM800: Remote speed control** on handle (VM1800 only) for ease, greater control and a variety of tasks
- **360° rotary hose** for easy manoeuvring
- **Accessory compartment** stores accessories neatly and reduces clutter
- **Foot pedal control** - stylish and convenient
- **Automatic cord rewriter** for convenient usage
- **VM800/V650: HEPA (High Efficiency Particulate Air) filter system** for a cleaner, healthier environment.

## HOW TO USE YOUR VACUUM CLEANER

### *Assembling the appliance*

This appliance is designed for vacuuming small households. Before first use, please ensure that all the filters are installed correctly.

**VM800 only:** The VM800 vacuum is equipped with an infra-red remote control, hence please follow the instructions.

Extend the chrome tube to the desired length by pressing on the button and pulling the tube apart.

To attach the flexible hose to the vacuum cleaner, push the end of the pivoting head on the flexible hose into the attachment point of the vacuum cleaner. Make sure that the plug is correctly inserted into the socket. To remove the flexible hose from the vacuum cleaner, press on the two buttons situated on either side of the pivoting head then pull upwards to remove it from the attachment point.

Any of the accessories can be fitted onto the end of the tubes.

The floor accessory has two positions:

**Hard Floor** (tiles, parquet floors, etc.) position - The cleaning tool's brush must be in the lower position. Press on the rocker switch to lower it.

**Carpet or Rug position** - The cleaning tool's brush should be raised. Press the rocker switch to lift the brush up. Only the flat part of the tool is in contact with the floor.

Pull the mains lead out to the desired length and plug it into a standard domestic outlet. If the supply cord is damaged, it must be replaced with another made by the same manufacturer or take it to an authorised Black & Decker service centre. The cable must be managed and routed so as to avoid tripping hazard during use.

Press the foot pedal to start the vacuum cleaner. To stop it, press the pedal again.

The flexible hose handle has a manual air flow regulator which allows you to briefly alter the suction level (Not on VM800): the more open the regulator is, the weaker the suction level. With the electronic speed control, you can choose the power appropriate for the task.

The order of usages from low to high is as below

1. Curtains, delicate fabrics.
2. Armchairs, sofas, cushions, mattresses
3. Everyday tasks on dirty floors
4. Hard floors
5. Ordinary rugs and carpets

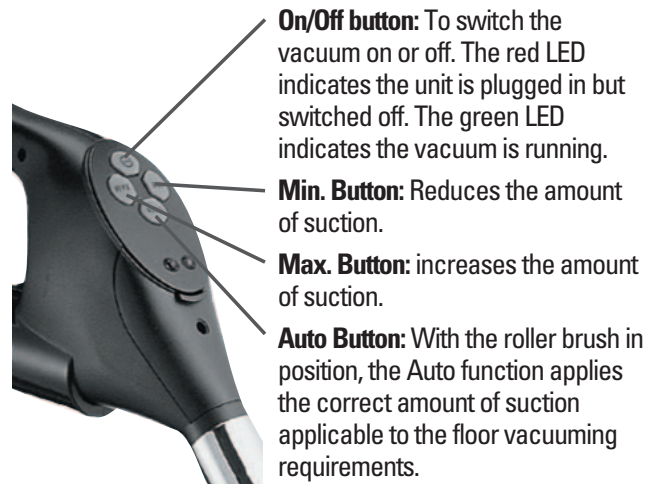
### **Using the Remote Control (VM800)**

#### **Using the Controls**

The Remote Control handle operates by infra-red. You can use it to turn the vacuum on and off and control the suction by use of the Min., Max. and Auto buttons. This gives you fingertip control for different applications.

#### **Replacing the Batteries**

If the function of the remote control starts to fail, this is generally an indication the batteries need replacing. Hold the end of the handle and open the battery cabinet. Press the spring in the battery cabinet and take it out gently. Repeat the process to remove the old battery. Replace with the new battery.



### **Using the Accessories**

Open the accessory storage compartment. These accessories can fit on to the tubes or directly on to the end of the flexible hose handle. The small cleaning tool is used for upholstered furniture. The crevice nozzle is used for radiators, skirting boards, hard to reach corners, etc. The brush which fits on to the small cleaning tool is used for lampshades or polished surfaces.

If you wish to pause briefly during vacuuming i.e. to move a small piece of furniture or a rug, use the special parking position on your vacuum cleaner. Slide the hook attached to the large cleaning tool into the slot on the rear of the appliance.

When you have finished vacuuming, press the pedal to stop the appliance then unplug it at the mains and press your foot on the pedal to automatically rewind the cord.

You can move or store your appliance in a vertical position by sliding the hook on the large cleaning tool into the clip on the underside of the appliance. This practical system allows you to carry the vacuum cleaner around in one hand and to store it in the minimum of space.

### **HOW TO CARE FOR YOUR VACUUM CLEANER**

Your appliance is equipped with a fabric dust bag. If you notice that the vacuum cleaner seems to be less efficient than usual, check the dust indicator by selecting the maximum power and lifting the cleaning tool off the floor. If it turns red, change the bag.

To change the dustbag, turn off the appliance and unplug it. Lift up the catch to gain access to the dustbag compartment and raise the cover. Pull the handle up to remove the bag holder. Hold the bag upside down to release into bin. Please be careful so that it does not overturn. Do not forget to regularly clean the dustbag and filter. The efficiency of your cleaner and the life of the motor depends on it.

Clean the vacuum cleaner body with a damp cloth. Do not use any abrasives.

## **Change of Filters**

### **Motor protection filter**

The filter is located in the dust bag compartment and protects the motor from dust. To reach this filter, lift up the grill which secures it and replace it with a new one after emptying the dust bag 5 times

**Attention:** Do not use the vacuum cleaner without the motor protection filter.

### **Air outlet filter**

Filters the air which is expelled. Pull on its holding clip to take it out of its housing. When fitting the new filter, make sure to secure it correctly with the clip. Replace it after every 5 dust bag emptying.

## **DUST BAG INDICATOR**

When the indicator light comes on or when the suction power reduces substantially, this indicates that you should change/empty the dust bag.

**Attention:** If after inserting a new dust bag, the indicator light stays on, this could be for several reasons -

- Suction passages (flexible and extension tubes, suction inlet, floor brushes and nozzles obstructed)
- Motor suction filter dirty
- Air outlet filter dirty

Check carefully which of these causes is making the light go on and correct it so that the vacuum cleaner can work normally. If you cannot locate the cause, bring the appliance to the nearest after-sales service centre.

Do not work with the vacuum with this indicator light on, for this could cause irreparable damage to the motor.

## **DONT'S**

- Never put the appliance in water.
- Do not touch the plug or the vacuum cleaner with wet hands.
- Do not use your vacuum cleaner outside the house, on wet surfaces, or to pick up wet or humid dirt.
- Do not use the vacuum cleaner on animals.
- Do not suck up inflammable liquids such as cleaning fluids, gasoline etc. or their vapours. Never suck up water or any other liquids
- Do not vacuum hard, sharp or over sized large objects, matches, hot ashes, cigarette butts or similar materials.
- Do not use the vacuum cleaner without it's dust bag or motor protection and air outlet filters.
- Take care not to trap fingers while removing and emptying the dustbag.
- Replace/empty the dust bag and filters after picking up fine dust such as cement, very fine sand, flour, etc.
- Do not use the cleaner if there is any obstruction in it's passages, for this may dangerously overheat the motor.
- Please pay attention while cleaning stairs.

- Please be careful with the cord so that it does not become a tripping hazard.
- If the supply cord is damaged, please take the unit to an authorised Black & Decker service centre to replace it with a new cord made by the manufacturer.

## **DUST BAG EMPTYING**

Make sure to empty the dust bag after every five uses. The motor life will be effected if worked with full dust bag. Avoid inhaling the dust when emptying the dust bag.

## **WARRANTY CLAUSE**

Black & Decker offers a full two year warranty for this appliance from the date of purchase against defects due to defective material or workmanship. Accessories including hose and tube are not included in the warranty. Warranty will not cover misuses by the consumer or motor burnout and melting of parts due to non emptying/cleaning of dust bags/filters.

## **PROTECTING THE ENVIRONMENT**

Should you find one day that your tool needs replacement, or if it is of no further use to you, think of the protection of the environment. Black & Decker Authorised Service Centres with accept old Black & Decker tools and ensure that they are disposed of in an environmentally safe way.

## **THE BLACK & DECKER AFTER SALES SERVICE**

All Black & Decker products are scrupulously tested before leaving the factory. However, in the case of your vacuum cleaner being defective, please take it to your nearest Black & Decker Authorised Service Centre.

## **THE BLACK & DECKER GUARANTEE**

If a Black & Decker product becomes defective due to faulty materials or workmanship during the guarantee period following purchase, we guarantee to repair/replace it free of charge, provided that:

- The product has not been misused.
- Repairs have not been attempted by persons other than our own Service Staff or the Staff of Authorised Repairers.
- Proof of purchase date is produced.

This guarantee is offered as an extra benefit and is additional to consumers' statutory rights.

### **Australia (Head Office)**

20 Fletcher Road,  
MOOROOLBARK, Victoria 3138  
Tel: 1800 654 155 Fax: (03) 9727 5904

### **New Zealand**

81 Hugo Johnson Drive, Penrose, Auckland,  
New Zealand. Tel: (9) 579 7600 Fax: (9) 579 8200



AUSTRALIA / NEW ZEALAND

ATTACH  
RECEIPT HERE

**DO NOT MAIL THIS CARD TO BLACK & DECKER. RETAIN THIS CARD IN CASE OF A CLAIM.**

**UPON PURCHASE**

Fill in the Warranty Registration Section of the card and attach your purchase receipt to the top corner of the card. Retain in case of claims in the future.

**MAKING A CLAIM**

Take your defective product together with the Warranty Registration Card and purchase receipt to your local Black & Decker Authorised Service Centre. You can either do this in person or send freight prepaid. If mailing or shipping your appliance, ensure to remove any liquids from the product (if applicable) and pack it carefully in a sturdy carton with enough packing material to prevent damage. Include a note describing the problem to the Service Centre and be sure to give your telephone number and return address.

**AUSTRALIA**

Black & Decker (Australia) Pty Ltd  
20 Fletcher Road, MOROOLBARK, Vic 3138

Tel: (03) 8720 5100  
Fax: (03) 9727 5904

Service Department:  
Tel: (03) 9727 5904  
Fax: 1800 654 155

**For Repair or Service**

See "Electric Tools-Retail and/or Repairs" section  
of Yellow Pages, otherwise

Tel: 1800 654 155 to be connected to  
your nearest Service Agent.



**NEW ZEALAND**

Black & Decker New Zealand  
81 Hugo Johnson Drive  
PENROSE AUCKLAND NZ

Customer Service:  
Tel: (64 9) 579 7600  
Fax: (64 9) 579 8200  
FreeFax: 0800 339 258

Service Centre:  
Tel: (64 9) 526 2556

AUSTRALIA / NEW ZEALAND



**AUSTRALIA / NEW ZEALAND 2 YEAR REPAIR GUARANTEE**

Black & Decker welcomes you as a purchaser of this product from our range of Home Workshop and Garden Tools and Accessories. All our products are engineered and manufactured to ensure the highest standards of reliability and performance during use, and are supported in After Sales Service by a wide network of Black & Decker Authorised Service Centres.

**BLACK & DECKER SUPPLEMENTARY GUARANTEE**

Subject to the conditions stated below, Black & Decker guarantees that it will correct by repair or parts replacement, without charge, any defect in the product which this Guarantee Card accompanies ("Product") arising from faulty workmanship or materials where such defect arises within two years from the date of purchase of the product. A product subject to claim under this guarantee should be returned as a complete unit to the most convenient Black & Decker Authorised Service Centre or Agent

**CONDITIONS**

The Black & Decker Supplementary Guarantee does not apply in the following cases:

- where the product has been used for trade or industrial purposes;
- where any defect or failure is attributed to accident, misuse, abuse, negligence or non-observance of local regulations on the part of the owner or user; or
- where the product has been serviced by a person not authorised by Black & Decker to do so, or with non-approved parts; or
- where any defect or failure is attributed to loose accessories.

In order to enforce the Black & Decker Supplementary Guarantee, proof of purchase is required (Guarantee Card and store receipt). The period of the Black & Decker Supplementary Guarantee begins from the original date of purchase notwithstanding any subsequent repair or parts replacement. No Guarantees other than contained in this document, whether written or verbal, are authorised to be made on behalf of Black & Decker. All other conditions and guarantees whether expressed or implied by law, are, to the extent permitted by law, hereby excluded. **The Black & Decker Supplementary Guarantee does not apply outside Australia and New Zealand.**

**PURCHASERS' STATUTORY RIGHTS**

The Black & Decker Supplementary Guarantee set out above does not exclude any conditions or guarantees that may be mandatory by law, and your attention is drawn to the provisions of the Consumer Guarantee Act 1993 (New Zealand only), Trade Practices Act 1974 and State legislation (Australia only), which confers rights upon consumers. The Black & Decker Supplementary Guarantee is in addition to any rights conferred on a consumer under the Act, where applicable, and any other rights provided under applicable legislation.

**WARRANTY REGISTRATION**

Name: \_\_\_\_\_

Address: \_\_\_\_\_

Postcode: \_\_\_\_\_

Phone: \_\_\_\_\_

Product Code: \_\_\_\_\_ Description: \_\_\_\_\_

Date of Purchase: \_\_\_\_\_ Retailer's Name: \_\_\_\_\_

**RETAIN THIS CARD**