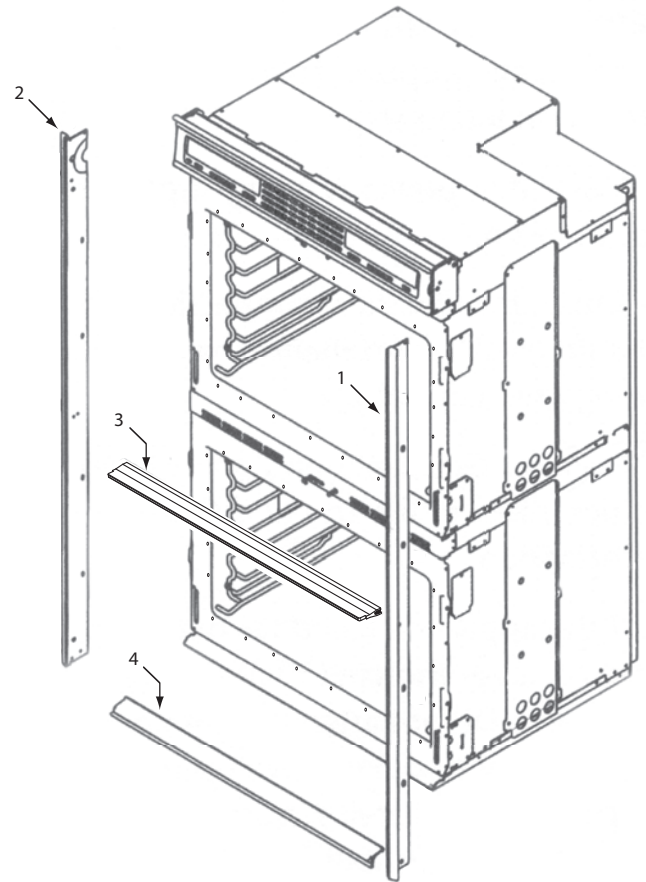
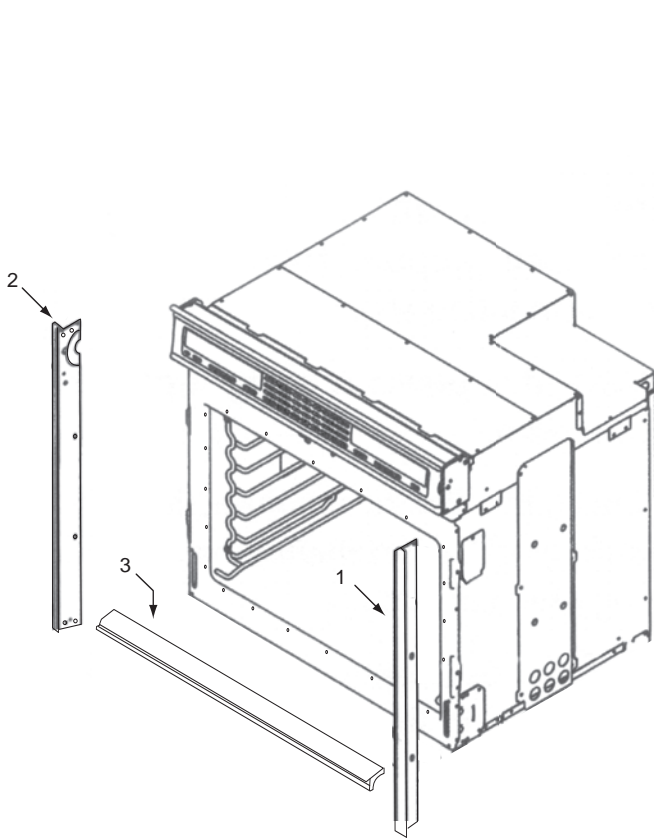


Trim Exploded View



Model #	Ref#	Part #	Description
SO30F/S	1	800706	Extrusion, Side, Right
	2	800707	Extrusion, Side, Left
	3	805115	Extrusion, Bottom
SO36U/S	1	800939	Extrusion, Side, Right
	2	800938	Extrusion, Side, Left
	3	802731	Extrusion, Bottom
SO30U/B	1	800525	Extrusion, Side, Right
	2	800524	Extrusion, Side, Left
	3	805175	Extrusion, Bottom
SO36U/B	1	802740	Extrusion, Side, Right
	2	802739	Extrusion, Side, Left
	3	802743	Extrusion, Bottom

Not Shown

808629 Washer, .25 x .625, Fiber

Model #	Ref#	Part #	Description
DO30F/S	1	800389	Extrusion, Side, Right
	2	800390	Extrusion, Side, Left
	3	803720	Extrusion, Middle
	4	805115	Extrusion, Bottom
DO30U/S	1	800389	Extrusion, Side, Right
	2	800390	Extrusion, Side, Left
	2	803966	Extrusion, Side, Left
	4	805115	Extrusion, Bottom
SO30U/P	1	800518	Extrusion, Side, Right
	2	800519	Extrusion, Side, Left
	4	805174	Extrusion, Bottom
SO36U/P	1	802742	Extrusion, Side, Right
	2	802741	Extrusion, Side, Left
	4	802744	Extrusion, Bottom
	DO30U/P	1	805186
2		805185	Extrusion, Side, Left
3		805184	Extrusion, Middle
4		805174	Extrusion, Bottom
DO30U/B	1	805183	Extrusion, Side, Right
	2	805182	Extrusion, Side, Left
	3	805181	Extrusion, Middle
	3	805175	Extrusion, Bottom