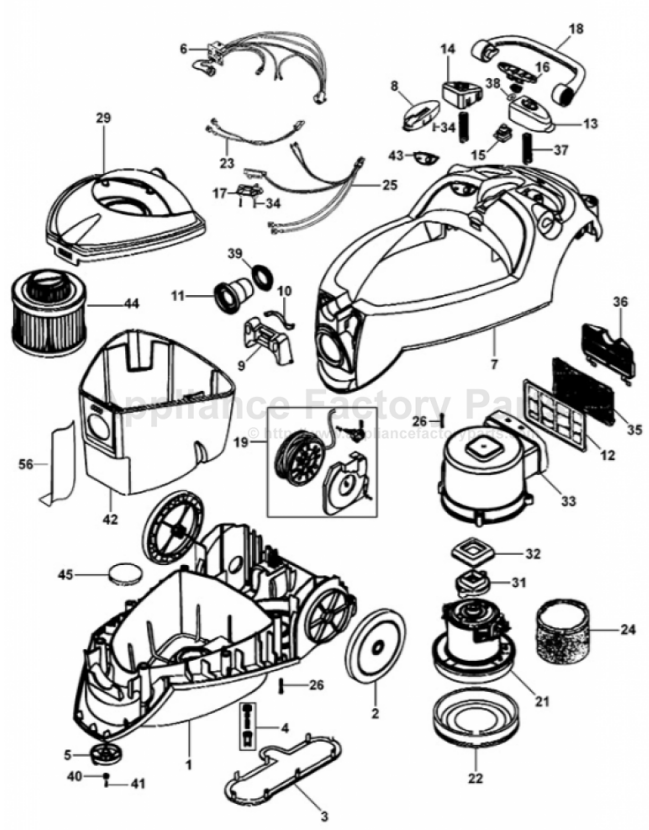


This Owner's Manual is provided and hosted by [Appliance Factory Parts](#).



Black & Decker VL1840 Owner's Manual

[Shop genuine replacement parts for Black & Decker
VL1840](#)

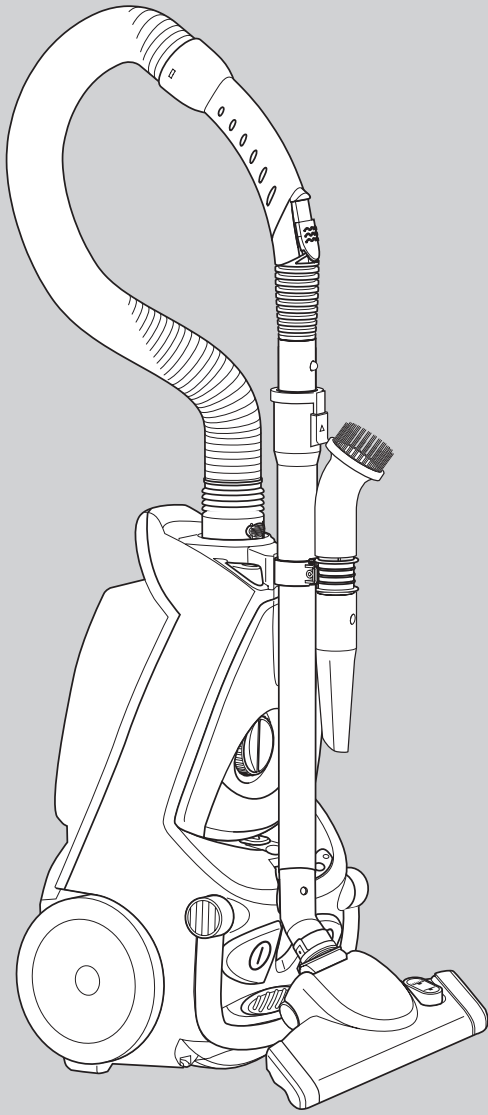


[Find Your Black & Decker Vacuum Cleaner Parts - Select From 339 Models](#)

----- Manual continues below -----

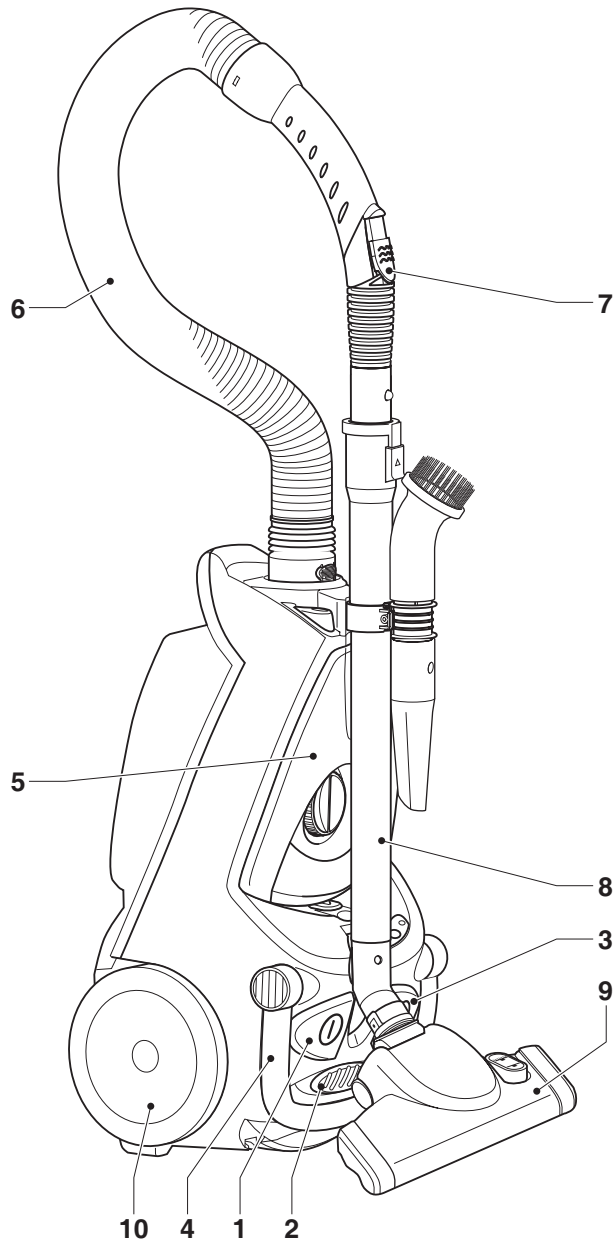
 **BLACK &
DECKER®**

www.blackanddecker.com

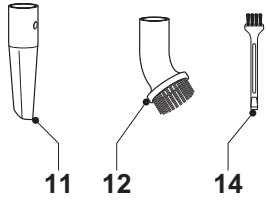
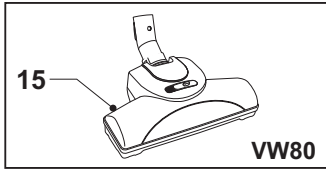
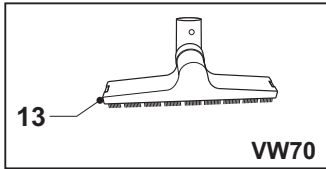


VL1620
VL1840
VL2000
VL2040

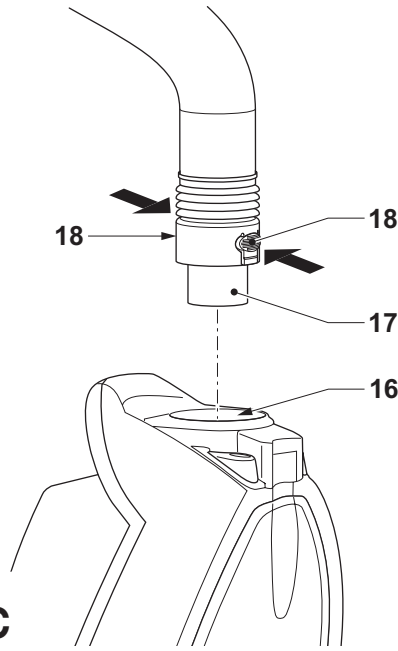
English	9
Deutsch	14
Français	20
Italiano	26
Nederlands	32
Español	38
Português	44
Svenska	50
Norsk	55
Dansk	60
Suomi	65
Ελληνικά	70
Türkçe	76



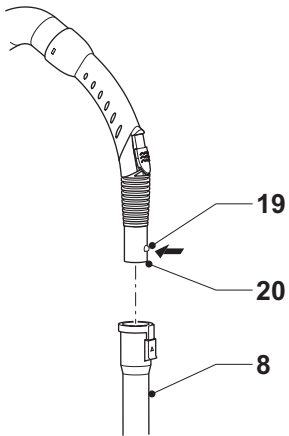
A



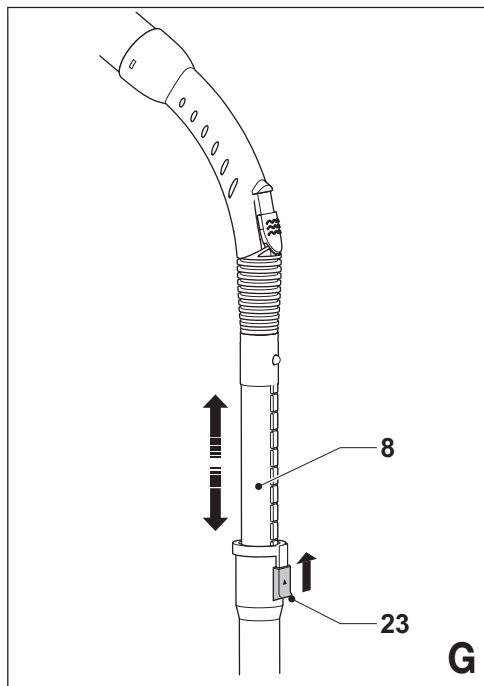
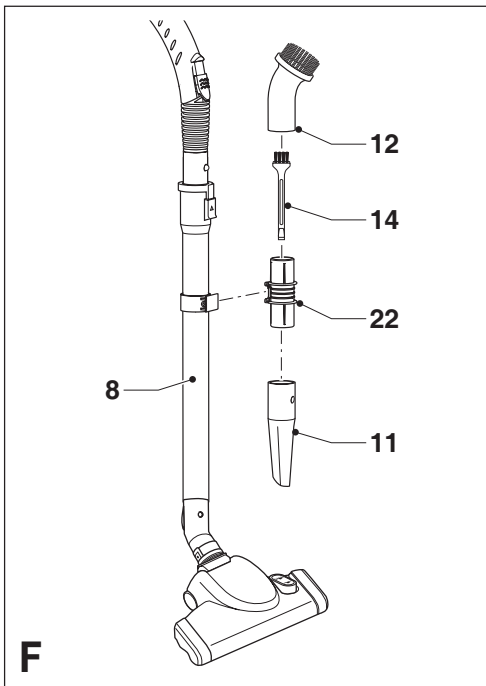
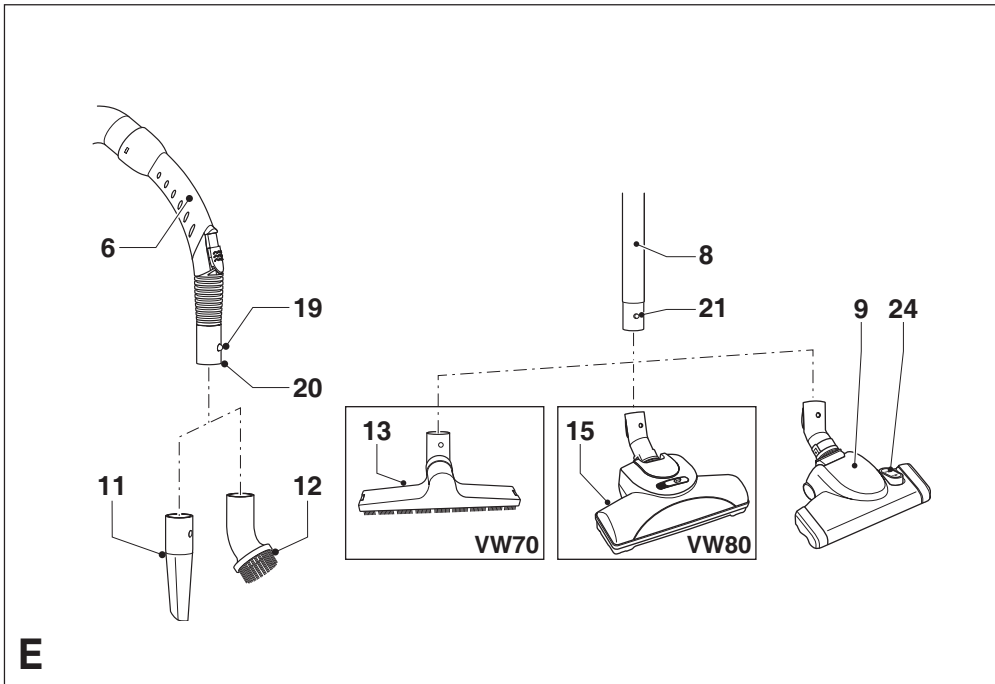
B

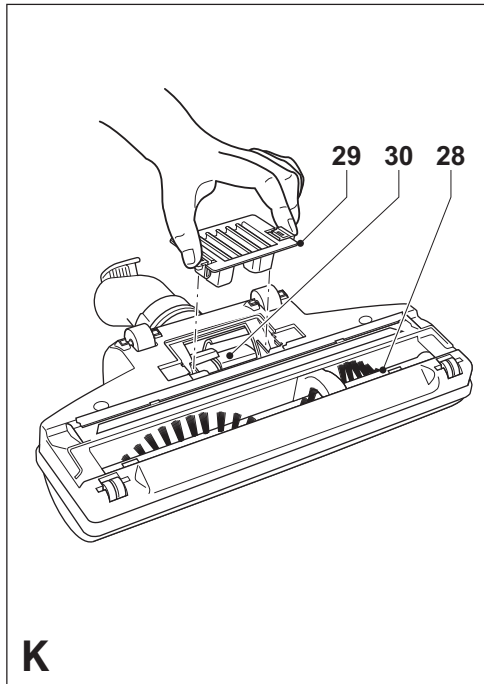
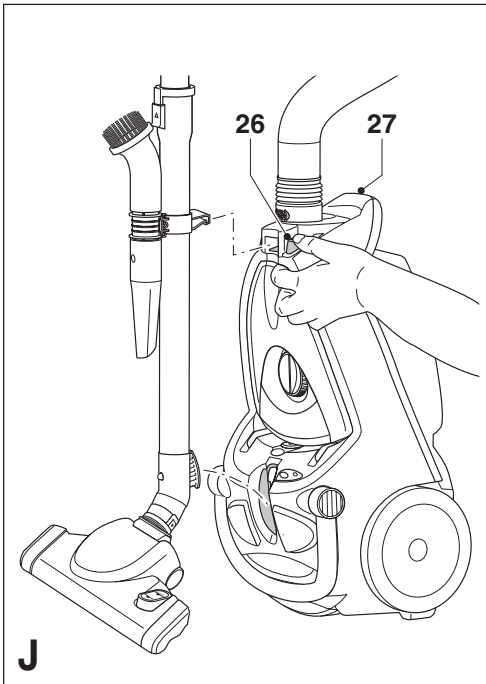
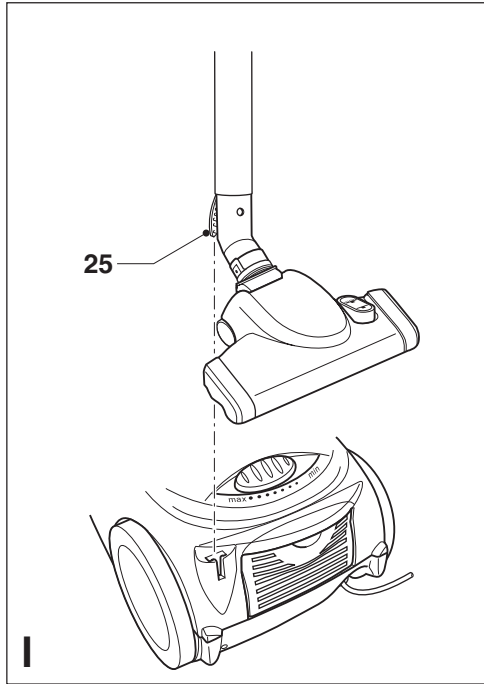
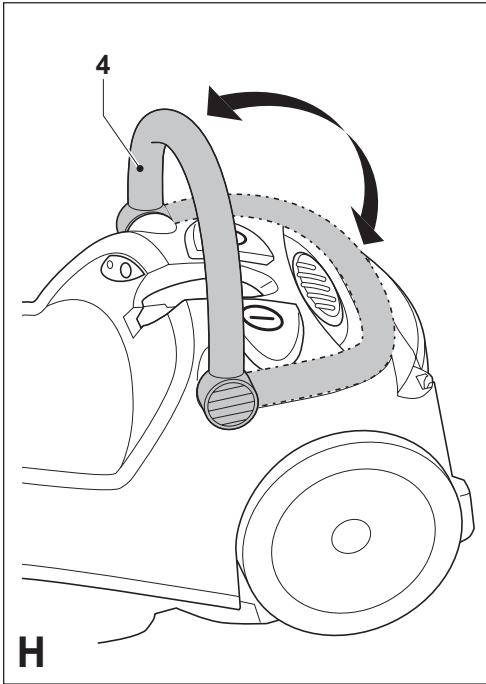


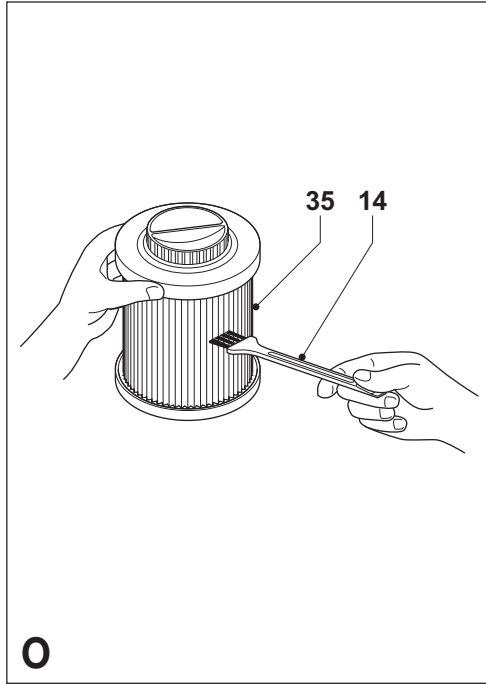
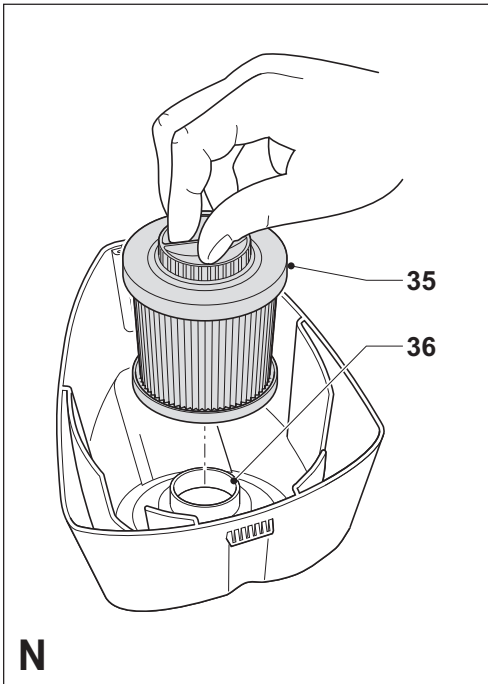
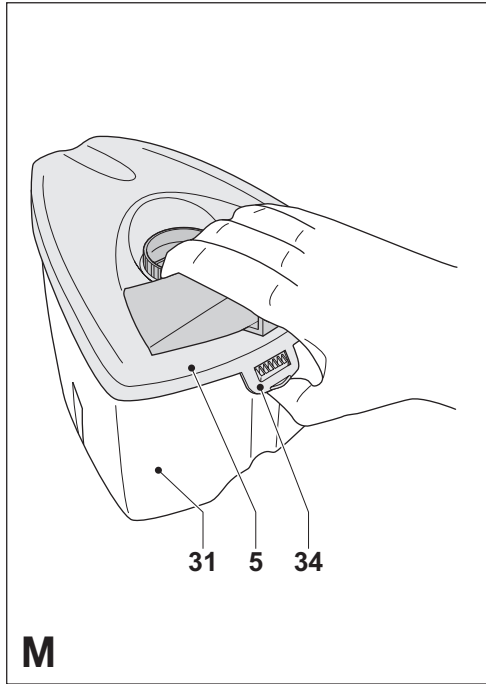
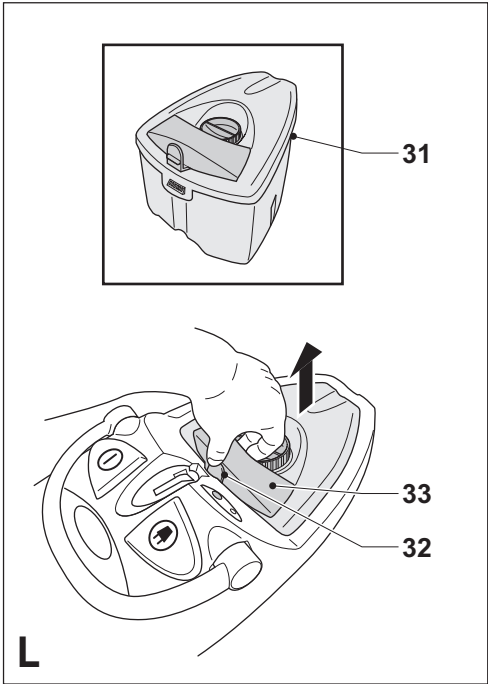
C

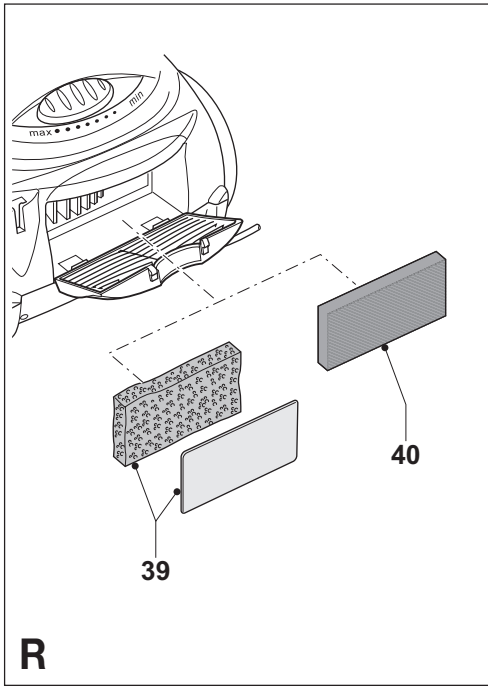
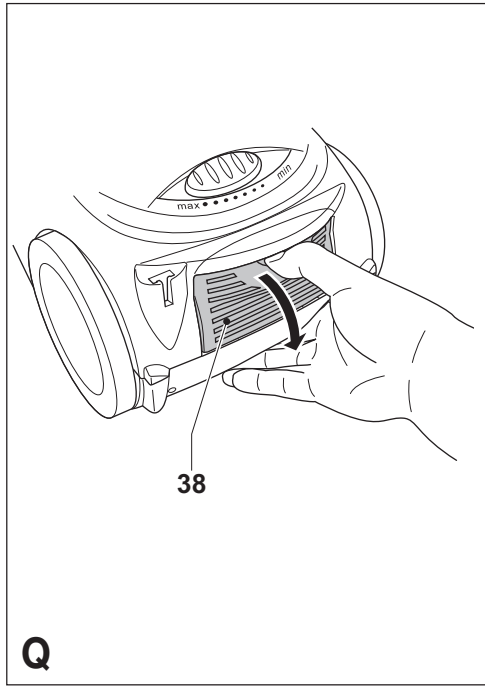
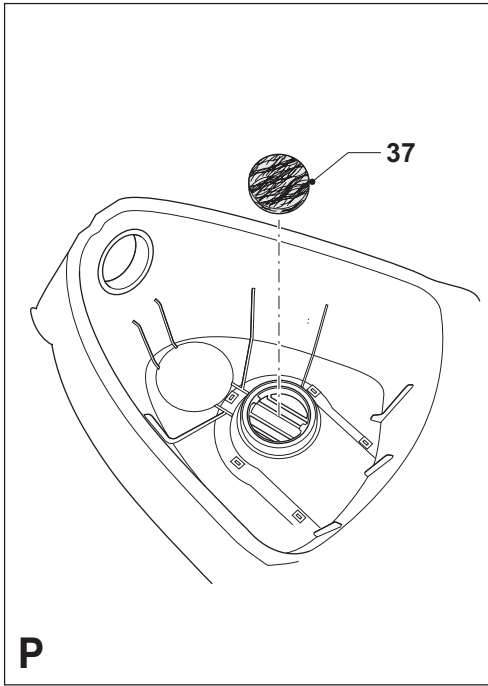


D









Intended use

Your Black & Decker vacuum cleaner has been designed to vacuum dry substances. This product is intended for household use only.

Safety instructions

- ◆ **Warning!** When using mains-powered appliances, basic safety precautions, including the following, should always be followed to reduce the risk of fire, electric shock, personal injury and material damage.
- ◆ Read all of this manual carefully before using the appliance.
- ◆ The intended use is described in this manual. The use of any accessory or attachment or the performance of any operation with this appliance other than those recommended in this instruction manual may present a risk of personal injury.
- ◆ Retain this manual for future reference.

Using your appliance

- ◆ Make sure that the appliance is switched off before connecting to or disconnecting from the power supply.
- ◆ Always take care when using the appliance.
- ◆ Do not use the appliance outdoors.
- ◆ Never pull the power supply cord to disconnect the plug from the socket. Keep the power supply cord away from heat, oil and sharp edges.
- ◆ If the power supply cord is damaged during use, disconnect the appliance from the power supply immediately. Do not touch the power supply cord before disconnecting from the power supply.
- ◆ Disconnect the appliance from the power supply when not in use, before fitting or removing parts and before cleaning.

Safety of others

- ◆ Do not allow children or any person unfamiliar with these instructions to use the appliance.
- ◆ Do not allow children or animals to come near the work area or to touch the appliance or power supply cord. Close supervision is necessary when the appliance is used near children.

After use

- ◆ Switch off and remove the plug from the socket before leaving the appliance unattended and before changing, cleaning or inspecting any parts of the appliance.
- ◆ When not in use, the appliance should be stored in a dry place. Children should not have access to stored appliances.

Inspection and repairs

- ◆ Before use, check the appliance for damaged or defective parts. Check for breakage of parts, damage to switches and any other conditions that may affect its operation.

- ◆ Do not use the appliance if any part is damaged or defective.
- ◆ Have any damaged or defective parts repaired or replaced by an authorised repair agent.
- ◆ Before use, check the power supply cord for signs of damage, ageing and wear.
- ◆ Do not use the appliance if the power supply cord or mains plug is damaged or defective.
- ◆ If the power supply cord or mains plug is damaged or defective it must be repaired by an authorised repair agent in order to avoid a hazard. Do not cut the power supply cord and do not attempt to repair it yourself.
- ◆ Never attempt to remove or replace any parts other than those specified in this manual.

Electrical safety



This tool is double insulated; therefore no earth wire is required. Always check that the power supply corresponds to the voltage on the rating plate.

- ◆ This appliance is not intended for use by young or infirm persons without supervision. Children must be supervised to ensure they do not play with the appliance.
- ◆ If the supply cord is damaged, it must be replaced by the manufacturer or an authorised Black & Decker Service Centre in order to avoid a hazard.

VL1840 - Voltage drops

Inrush currents cause short-time voltage drops. Under unfavourable power supply conditions, other equipment may be affected. For example, artificial lighting will show a temporary drop in magnitude when the machine is switched on. If the system impedance of the power supply is lower than 0,47 Ω , disturbances are unlikely to occur.

Additional safety instructions for vacuum cleaners

- ◆ Before use, always make sure that the filter is correctly seated.
- ◆ Do not carry the appliance at the container handle.
- ◆ Do not use the appliance to pick up liquids.
- ◆ Do not use the appliance to pick up any materials that could catch fire.
- ◆ Do not use the appliance near water. Do not immerse the appliance in water.
- ◆ Keep the motor draught away from your eyes and face.
- ◆ Keep children and animals at a safe distance when using this appliance.
- ◆ Always work from bottom up when using the appliance on stairs, and keep the appliance at least a stair below your working position.
- ◆ Do not use the appliance without the suction head or another suitable accessory mounted to the tube.

- ◆ Keep your hair, clothing and gloves away from moving parts. Do not reach into the rotating brush. Keep the rotating brush away from the power supply cord.
- ◆ Do not use damaged accessories.
- ◆ Use only Black & Decker accessories.

Features

This appliance includes some or all of the following features (fig. A).

1. On/off switch
2. Speed control switch
3. Cord rewind button
4. Handle
5. Cover
6. Hose
7. Airflow control switch
8. Extension tube
9. Suction head
10. Wheels

In addition, this appliance is supplied with some or all of the following accessories (fig. B):

11. Crevice tool
12. Brush tool
13. Parquet floor head (VL1840)
14. Filter cleaning brush
15. Turbo brush (VL2040)

The parquet floor head is not included with all models.

This accessory is available from your Black & Decker dealer / service centre (cat. no. VV70).

The turbo brush is not included with all models. This accessory is available from your Black & Decker dealer / service centre (VV80).

Assembly

Connecting the hose (fig. C)

- ◆ Insert the hose connector (17) into the inlet (16) of the appliance.
- ◆ Slide the hose further until the release buttons (18) click into place.
- ◆ To disconnect the hose, press the release buttons and pull out the hose.

Mounting the extension tube (fig. D)

- ◆ Press the lock button (19) and slide the hose nozzle (20) into the tube (8) until it clicks into place.
- ◆ To remove the tube, press the lock button and pull the hose out of the tube.

Mounting the suction head (fig. E)

The suction head (9) allows for vacuuming on carpet and hard surfaces (e.g. laminate and tiles).

- ◆ Press the lock button (21) and slide the tube (8) into the head (9) until it clicks into place.
- ◆ To remove the head, press the lock button and pull the tube out of the head.

VL1840 - Mounting the parquet floor head (fig. E)

The parquet floor head (13) allows for vacuuming on wooden and polished surfaces.

- ◆ Press the lock button (21) and slide the tube (8) into the head until it clicks into place.
- ◆ To remove the head, press the lock button and pull the tube out of the head.

VL2040 - Mounting the turbo brush (fig. E)

The turbo brush (14) allows for vacuuming on cut pile carpeting. The brush is particularly useful for picking up hair, threads, etc., as well as for refreshing trotted-down carpet pile.

- ◆ Press the lock button (21) and slide the tube (8) into the head until it clicks into place.
- ◆ To remove the head, press the lock button and pull the tube out of the head.

Mounting accessories (fig. E & F)

The crevice tool (11) allows for vacuuming in narrow and hard-to-reach places. The brush tool (12) allows for vacuuming on furniture, blinds, curtains, windows and stairs. The accessories can be mounted on both the hose (6) and the tube (8). When not in use, the accessories can be stored in the accessory holder (22).

- ◆ Remove the accessory from the holder (fig. F).
- ◆ Press the lock button (19) and slide the accessory onto the hose nozzle (20) or the tube (8) (fig. E).
- ◆ To remove an accessory, press the lock button (19) and pull the accessory off.

Use

Unwinding and rewinding the cord (fig. A)

The cord rewind button (3) can be operated by hand or foot.

- ◆ Before use, pull a sufficient length of cord from the back of the appliance.
- ◆ After use, press the cord rewind button to store the cord back into place. Manually guide the cord to ensure it does not swing back. Ensure the plug is correctly located.

Adjusting the length of the tube (fig. G)

The extension tube (8) can be adjusted in 21 steps.

- ◆ Engage the adjustment knob (23) and slide the tube to the desired length.

- ◆ Release the knob.

Adjusting the suction head (fig. E)

- ◆ For vacuuming on carpets, switch the floor surface selector (24) into the up position.
- ◆ For vacuuming on laminates, tiles, etc., switch the floor surface selector into the down position.

Switching on and off (fig. A)

The on/off switch (1) can be operated by hand or foot.

- ◆ To switch the appliance on, press the on/off switch (1).
- ◆ To switch the appliance off, press the on/off switch again.

Setting the suction force (fig. A)

The speed control switch (2) allows for a precise setting of the suction force.

- ◆ Slide the speed control switch (2) to the desired setting.
- ◆ For vacuuming on hard surfaces (e.g. floors), choose a high speed setting.
- ◆ For vacuuming on soft surfaces (e.g. upholstery), choose a low speed setting.

Adjusting the airflow (fig. A)

- ◆ Move the airflow control switch (7) to adjust the airflow as desired.

Vacuumping

- ◆ When operating the appliance, make sure that the hose is not trapped, twisted or blocked.
- ◆ In case of overheating, a cut-out will operate and the appliance will automatically stop.
- ◆ If the appliance stops operating, unplug the appliance and allow it to cool for 2-3 hours.

Hints for optimum use

- ◆ When working in confined spaces, temporarily remove the accessory holder from the tube to improve your scope.
- ◆ When vacuuming stairs, always start at the bottom and work your way up. Position the appliance on the floor and do the stairs until halfway. Then carry the appliance to a stable position which is at least one stair below your working position, and do the top half of the stairs.

VL2040 - Using the turbo brush

- ◆ Take care that the speed control switch is at the highest setting. Move the slider on top of the brush as necessary to optimise the suction force.
- ◆ Move the brush steadily back and forth. Do not keep the brush on the same place for a long time, as this might damage the surface.

Carrying the appliance (fig. H)

During use the appliance can be carried using the handle (4).

- ◆ Tilt the handle into position as shown.

Temporarily parking the suction head (fig. I)

- ◆ Use the park position (25) for a temporary parking of the suction head.

Storing the appliance (fig. J)

Warning! When storing the appliance, switch the appliance off and unplug it.

- ◆ Make sure that the cord is fully rewound.
- ◆ Place the appliance in an upright position.
- ◆ Park the tube by placing the ridges on the head and the tube in the corresponding slots on the appliance as shown. The locking device (26) engages automatically.
- ◆ Store the appliance in a dry location. The appliance can be carried at the integrated handle (27).
- ◆ To take the tube from the appliance for use, press one of the lock buttons and lift the tube and head out of the parking slots.

Maintenance

Your Black & Decker appliance has been designed to operate over a long period of time with a minimum of maintenance.

Continuous satisfactory operation depends upon proper appliance care and regular cleaning.

Warning! Before performing any maintenance or cleaning on the appliance, unplug the appliance.

- ◆ Regularly clean the ventilation slots in your appliance using a soft brush or dry cloth.
- ◆ Regularly clean the motor housing using a damp cloth. Do not use any abrasive or solvent-based cleaner.

VL2040 - Clearing the turbo brush (fig. K)

- ◆ Remove any hair or threads collected onto the brush (28). Use a pair of scissors if necessary.
- ◆ Remove the cover (29) to remove any foreign objects blocking the air turbine (30). Re-fit the cover.

Emptying the container (fig. L & M)

The container (31) must be emptied when the red container full indicator (17) is lit or if the container is visibly full.

- ◆ Remove the container from the appliance by releasing the container retaining clip (32) and lifting the container at the handle (33) (fig. L).
- ◆ Slightly retract the hook (34) to remove the cover (5) from the container (31) (fig. M).
- ◆ Empty the container as necessary.

- ◆ Clean the filter as described below.
- ◆ Re-fit the cover (5), taking care that the hook (34) clicks back in place.
- ◆ Re-insert the container into the appliance until the clip (32) engages.

Cleaning

Warning! Before cleaning and maintenance, switch the appliance off and unplug it.

- ◆ From time to time wipe the appliance with a damp cloth. Do not use any abrasive or solvent-based cleaner. Do not immerse the appliance in water.

Cleaning the container filter (fig. L - O)

The container filter prevents dust and dirt from entering the motor housing. The filter is re-usable and should be cleaned regularly.

- ◆ Remove the container from the appliance (fig. L).
- ◆ Remove the cover (5) from the container (31) (fig. M).
- ◆ Pull the filter (35) off the filter holder (36) (fig. N).
- ◆ Shake off excess dust by tapping the filter into a dustbin.
- ◆ Gently clean the folds of the filter (35) using the brush (14) (fig. O).

Warning! Do not brush or use compressed air to clean the filter.

- ◆ Depending on its condition, rinse the outside of the filter with water. Allow the filter to dry for 24 hours before re-inserting it.

Warning! Do not wash the inside of the filter.

- ◆ Replace the filter.
- ◆ Re-fit the cover.
- ◆ Re-insert the container into the appliance.

Cleaning the motor filter (fig. L & P)

The motor filter prevents particles and larger objects from entering the motor housing when the container is removed. The filter is re-usable and should be cleaned regularly.

- ◆ Remove the container from the appliance (fig. L).
- ◆ Take the filter (37) out (fig. P).
- ◆ Brush any loose dust off the filter.
- ◆ Replace the filter.
- ◆ Re-insert the container into the appliance.

Replacing the filters (fig. L - Q)

If the container filter is damaged or fails to operate properly, it must be replaced. When replacing the container filter, the motor filter and the outlet filters have to be replaced as well. Replacement filter sets are available from your Black & Decker dealer (cat. no. VLF10).

Replacing the container filter (fig. L - N)

- ◆ Proceed as described above to replace the filter (35).

Replacing the motor filter (fig. L & P)

- ◆ Proceed as described above to replace the filter (37).

Replacing the outlet filters (fig. Q & R)

- ◆ Open the cover (38).
- ◆ Remove the old filters (39).
- ◆ Insert the new filters as shown.
- ◆ Close the cover.

VL2040 - Replacing the charcoal filter

The charcoal filter removes odours and smoke from the air exiting the motor housing. The filter should be replaced every 6 to 9 months and whenever worn or damaged. Replacement filters are available from your Black & Decker dealer (cat. no. VBF40).

- ◆ Proceed as described above to replace the filter (40).

Mains plug replacement (U.K. & Ireland only)

If a new mains plug needs to be fitted:

- ◆ Safely dispose of the old plug.
- ◆ Connect the brown lead to the live terminal in the new plug.
- ◆ Connect the blue lead to the neutral terminal.

Warning! No connection is to be made to the earth terminal.

Follow the fitting instructions supplied with good quality plugs. Recommended fuse: 13 A.

Protecting the environment



Separate collection. This product must not be disposed of with normal household waste.

Should you find one day that your Black & Decker product needs replacement, or if it is of no further use to you, do not dispose of it with household waste. Make this product available for separate collection.



Separate collection of used products and packaging allows materials to be recycled and used again. Re-use of recycled materials helps prevent environmental pollution and reduces the demand for raw materials.

Local regulations may provide for separate collection of electrical products from the household, at municipal waste sites or by the retailer when you purchase a new product.

Black & Decker provides a facility for the collection and recycling of Black & Decker products once they have reached the end of their working life. To take advantage of this service please return your product to any authorised repair agent who will collect them on our behalf.

You can check the location of your nearest authorised repair agent by contacting your local Black & Decker office at the address indicated in this manual. Alternatively, a list of authorised Black & Decker repair agents and full details of our after-sales service and contacts are available on the Internet at:

www.2helpU.com

Technical data

		VL1620	VL1840	VL2000	VL2040
Voltage	V	230	230	230	230
(Australia & New Zealand)	V _{AC}	240	240	240	240
Power input	W	1,600	1,800	2,000	2,000
Cable length	m	6	6	6	6
Container size	l	2.5	2.5	2.5	2.5
Weight	kg	6.4	6.4	6.7	6.7

EC declaration of conformity

VL1620/VL1840/VL2000/VL2040

Black & Decker declares that these products conform to: 89/336/EEC, 73/23/EEC, EN 55014, EN 61000, EN 60335, EN 61000-3-11



Kevin Hewitt
 Director of Consumer Engineering
 Spennymoor, County Durham DL16 6JG,
 United Kingdom
 1-12-2005

If a Black & Decker product becomes defective due to faulty materials, workmanship or lack of conformity, within 24 months from the date of purchase, Black & Decker guarantees to replace defective parts, repair products subjected to fair wear and tear or replace such products to ensure minimum inconvenience to the customer unless:

- ◆ The product has been used for trade, professional or hire purposes;
- ◆ The product has been subjected to misuse or neglect;
- ◆ The product has sustained damage through foreign objects, substances or accidents;
- ◆ Repairs have been attempted by persons other than authorised repair agents or Black & Decker service staff.

To claim on the guarantee, you will need to submit proof of purchase to the seller or an authorised repair agent. You can check the location of your nearest authorised repair agent by contacting your local Black & Decker office at the address indicated in this manual. Alternatively, a list of authorised Black & Decker repair agents and full details of our after-sales service and contacts are available on the Internet at:

www.2helpU.com

Please visit our website www.blackanddecker.co.uk to register your new Black & Decker product and to be kept up to date on new products and special offers. Further information on the Black & Decker brand and our range of products is available at www.blackanddecker.co.uk

UK patent application nos. 0314945.7; 0314930.9; 0317674.0; 0314932.5

UK design application no. 3 013 970

Australian design application no. 483/04

European Community design application no. 131 651

Chinese design application no. 200430002048

US design application no. 29/199,056

Guarantee

Black & Decker is confident of the quality of its products and offers an outstanding guarantee. This guarantee statement is in addition to and in no way prejudices your statutory rights. The guarantee is valid within the territories of the Member States of the European Union and the European Free Trade Area.

Bestimmungsgemäße Verwendung

Ihr Black & Decker Staubsauger wurde zum Aufsaugen von trockenen Substanzen entwickelt.

Dieses Gerät ist nicht für den gewerblichen Einsatz vorgesehen.

Sicherheitsanweisungen

- ◆ **Achtung!** Bei der Verwendung netzbetriebener Geräte sind zum Schutz vor Feuergefahr, elektrischen Schlägen sowie Körperverletzungen und Sachschäden grundlegende Sicherheitsmaßnahmen einschließlich der folgenden Vorschriften zu beachten.
- ◆ Lesen Sie diese Anleitung genau durch, bevor Sie das Gerät verwenden.
- ◆ Die bestimmungsgemäße Verwendung ist in dieser Bedienungsanleitung beschrieben. Das Verwenden anderer als der in dieser Anleitung empfohlenen Vorsatzgeräte und Zubehörteile oder die Ausführung von Arbeiten mit diesem Gerät, die nicht der bestimmungsgemäßen Verwendung entsprechen, kann zu Unfallgefahren führen.
- ◆ Bewahren Sie diese Anleitung auf.

Gebrauch des Gerätes

- ◆ Stellen Sie sicher, daß das Gerät ausgeschaltet ist, bevor Sie es mit der Stromversorgung verbinden oder von ihr trennen.
- ◆ Gehen Sie beim Gebrauch des Geräts stets vorsichtig vor.
- ◆ Verwenden Sie das Gerät nicht im Freien.
- ◆ Benutzen Sie nicht das Kabel, um den Stecker aus der Steckdose zu ziehen. Schützen Sie das Kabel vor Hitze, Öl und scharfen Kanten.
- ◆ Wird das Kabel während des Gebrauchs beschädigt, trennen Sie das Gerät sofort vom Netz. Berühren Sie das Kabel nicht, solange es noch am Netz angeschlossen ist.
- ◆ Trennen Sie das Gerät vom Netz, wenn es nicht gebraucht wird, bevor Teile angebracht oder entfernt werden und bevor das Gerät gereinigt wird.

Sicherheit anderer Personen

- ◆ Untersagen Sie Kindern sowie Personen, die mit dem Inhalt dieser Anleitung nicht vertraut sind, die Verwendung dieses Geräts.
- ◆ Halten Sie Kinder und Tiere vom Arbeitsbereich fern, und sorgen Sie dafür, daß Gerät und Netzkabel nicht berührt werden. Wird das Gerät in der Nähe von Kindern verwendet, so ist äußerste Achtsamkeit geboten.

Nach der Verwendung

- ◆ Schalten Sie das Gerät aus, und ziehen Sie den Stecker aus der Steckdose, bevor Sie das Gerät unbeaufsichtigt zurücklassen und bevor Sie Teile des Gerätes verändern, reinigen oder überprüfen.

- ◆ Das unbenutzte Gerät ist an einem trockenen Ort aufzubewahren. Kinder sollten keinen Zugang zu aufbewahrten Geräten haben.

Überprüfung und Reparaturen

- ◆ Überprüfen Sie das Gerät vor dem Gebrauch auf beschädigte oder defekte Teile. Prüfen Sie, ob Teile gebrochen, Schalter beschädigt oder andere Zustände eingetreten sind, die die Funktion des Gerätes beeinträchtigen.
- ◆ Benutzen Sie das Gerät nicht, wenn irgendein Teil defekt ist.
- ◆ Lassen Sie defekte Teile immer von einer unserer Kundendienstwerkstätten reparieren oder austauschen.
- ◆ Überprüfen Sie vor dem Gebrauch das Netzkabel auf Beschädigung, Alterung und Verschleiß.
- ◆ Verwenden Sie das Gerät nicht, falls das Netzkabel oder der Netzstecker beschädigt ist.
- ◆ Falls das Netzkabel oder der Netzstecker beschädigt ist, so sind die beschädigten Teile von einer autorisierten Reparaturwerkstatt auszutauschen, um Gefahren vorzubeugen. Schneiden Sie nicht in das Netzkabel, und versuchen Sie nicht, das Kabel selbst zu reparieren.
- ◆ Versuchen Sie nie, irgendwelche Teile zu entfernen oder auszutauschen, die nicht in dieser Anleitung beschrieben werden.

Elektrische Sicherheit



Dieses Gerät ist schutzisoliert, daher ist keine Erdleitung erforderlich. Überprüfen Sie immer, ob die Netzspannung der auf dem Typenschild des Geräts angegebenen Spannung entspricht.

- ◆ Dieses Gerät darf ohne Aufsicht nicht von jungen oder schwachen Personen verwendet werden. Kinder müssen beaufsichtigt werden, um sicherzustellen, daß sie nicht mit dem Gerät spielen.
- ◆ Falls das Netzkabel beschädigt ist, so ist es vom Hersteller oder einem autorisierten Black & Decker Service Center auszutauschen, um Gefahren vorzubeugen.

VL1840 - Spannung fällt

Einschaltstromspitzen verursachen kurzzeitigen Spannungsabfall. Bei unzureichender Stromversorgung können die Funktionen anderer Geräte beeinträchtigt werden. Z. B. können beim Einschalten des Geräts künstliche Lichtquellen plötzlich vorübergehend dunkler werden.

Wenn die Impedanz der Stromversorgung unter $0,47 \Omega$ liegt, sind Störungen eher unwahrscheinlich.

Zusätzliche Sicherheitsanweisungen für Staubsauger

- ◆ Vergewissern Sie sich stets vor dem Gebrauch, daß der Filter richtig sitzt.

- ◆ Tragen Sie das Gerät nicht am Behältergriff.
- ◆ Saugen Sie keine Flüssigkeiten mit dem Gerät auf.
- ◆ Saugen Sie kein feuergefährliches Material mit dem Gerät auf.
- ◆ Verwenden Sie das Gerät nicht in der Nähe von Wasser. Tauchen Sie das Gerät nicht in Wasser ein.
- ◆ Halten Sie den Saugstutzen von Augen und Gesicht fern.
- ◆ Halten Sie Kinder und Tiere beim Gebrauch des Gerätes in einem sicheren Abstand.
- ◆ Arbeiten Sie stets von unten nach oben, wenn das Gerät auf Treppen verwendet wird, und halten Sie das Gerät mindestens eine Treppenstufe unterhalb Ihrer Arbeitsposition.
- ◆ Verwenden Sie das Gerät nicht ohne den Saugkopf oder ein anderes geeignetes Zubehörteil, das am Rohr befestigt wird.
- ◆ Halten Sie Haare, Kleidung und Handschuhe fern von sich bewegenden Teilen. Fassen Sie nicht in die rotierende Bürste. Halten Sie die rotierende Bürste vom Netzkabel fern.
- ◆ Verwenden Sie kein beschädigtes Zubehör.
- ◆ Verwenden Sie ausschließlich Black & Decker Zubehör.

Merkmale

Dieses Gerät weist einige oder alle der folgenden Merkmale auf (Abb. A).

1. Ein-/Aus-Schalter
2. Saugkraftregler
3. Kabelaufwickelknopf
4. Handgriff
5. Deckel
6. Schlauch
7. Nebenluftregler
8. Verlängerungsrohr
9. Saugkopf
10. Räder

Zusätzlich wird dieses Gerät mit einigen oder allen der folgenden Zubehörteile ausgeliefert (Abb. B):

11. Fugendüse
12. Bürstendüse
13. Parkettbodenkopf (VL1840)
14. Filterreinigungsbürste
15. Turbobürste (VL2040)

Der Parkettbodenkopf ist nicht bei allen Modellen Teil des Lieferumfangs. Dieses Zubehör ist bei Ihrem Black & Decker Händler / Servicecenter erhältlich (Kat.-Nr. VV70).

Die Turbobürste ist nicht bei allen Modellen Teil des Lieferumfangs. Dieses Zubehör ist bei Ihrem Black & Decker Händler / Servicecenter erhältlich (Kat.-Nr. VV80).

Montage

Anschließen des Schlauchs (Abb. C)

- ◆ Setzen Sie die Schlauchverbindung (17) in den Einlaß (16) des Geräts ein.
- ◆ Schieben Sie den Schlauch weiter hinein, bis die Löseknöpfe (18) in ihrer Position einrasten.
- ◆ Um den Schlauch zu trennen, drücken Sie auf die Löseknöpfe und ziehen Sie den Schlauch heraus.

Anbringen des Verlängerungsrohrs (Abb. D)

- ◆ Drücken Sie auf den Löseknopf (19) und schieben Sie die Schlauchdüse (20) in das Rohr (8), bis die Düse in ihrer Position einrastet.
- ◆ Um das Rohr zu entfernen, drücken Sie auf den Löseknopf und ziehen Sie den Schlauch aus dem Rohr heraus.

Anbringen des Saugkopfs (Abb. E)

Mit dem Saugkopf (9) können Saugarbeiten auf Teppich und harten Oberflächen (z.B. Laminat und Fliesen) durchgeführt werden.

- ◆ Drücken Sie auf den Löseknopf (21) und schieben Sie das Rohr (8) in den Kopf (9), bis das Rohr in seiner Position einrastet.
- ◆ Um den Kopf zu entfernen, drücken Sie auf den Löseknopf und ziehen Sie das Rohr aus dem Kopf heraus.

VL1840 - Anbringen des Parkettbodenkopfs (Abb. E)

Mit dem Parkettbodenkopf (13) können Saugarbeiten auf hölzernen oder polierten Oberflächen ausgeführt werden.

- ◆ Drücken Sie auf den Löseknopf (21) und schieben Sie das Rohr (8) in den Kopf, bis das Rohr in seiner Position einrastet.
- ◆ Um den Kopf zu entfernen, drücken Sie auf den Löseknopf und ziehen Sie das Rohr aus dem Kopf heraus.

VL2040 - Anbringen der Turbobürste (Abb. E)

Mit der Turbobürste (14) können Teppichfliesen abgesaugt werden. Die Bürste ist besonders nützlich, um Haare, Fäden, usw. aufzunehmen und abgelaufene Teppichfliesen wieder aufzufrischen.

- ◆ Drücken Sie auf den Löseknopf (21) und schieben Sie das Rohr (8) in den Kopf, bis das Rohr in seiner Position einrastet.
- ◆ Um den Kopf zu entfernen, drücken Sie auf den Löseknopf und ziehen Sie das Rohr aus dem Kopf heraus.

Anbringen von Zubehör (Abb. E & F)

Mit der Fugendüse (11) können Saugarbeiten an schmalen und unzugänglichen Stellen durchgeführt werden. Mit der Bürstendüse (12) können Saugarbeiten auf Möbeln, Jalousien, Vorhängen, Fenstern und Treppen durchgeführt werden.

Das Zubehör kann sowohl am Schlauch (6) als auch am Rohr (8) angebracht werden. Bei Nichtverwendung kann das Zubehör im Zubehöralter (22) verstaut werden.

- ◆ Nehmen Sie das Zubehör aus dem Halter (Abb. F).
- ◆ Drücken Sie auf den Löseknopf (19), und schieben Sie das Zubehör auf die Schlauchdüse (20) oder auf das Rohr (8) (Abb. E).
- ◆ Um ein Zubehörteil zu entfernen, drücken Sie auf den Löseknopf (19) und ziehen Sie das Zubehör ab.

Gebrauch

Ab- und Aufwickeln des Kabels (Abb. A)

Der Kabelaufwickelknopf (3) kann mit der Hand oder mit dem Fuß betätigt werden.

- ◆ Ziehen Sie vor dem Gebrauch eine hinreichende Kabellänge aus der Rückseite des Geräts heraus.
- ◆ Drücken Sie nach dem Gebrauch auf den Kabelaufwickelknopf, um das Kabel wieder im Gerät zu verstauen. Führen Sie das Kabel von Hand, um sicherzustellen, daß es nicht zurückschnellt. Vergewissern Sie sich, daß sich der Stecker am richtigen Platz befindet.

Einstellen der Rohrlänge (Abb. G)

Das Verlängerungsrohr (8) kann in 21 Schritten eingestellt werden.

- ◆ Betätigen Sie den Einstellknopf (23) und schieben Sie das Rohr auf die gewünschte Länge.
- ◆ Lassen Sie den Knopf los.

Einstellen des Saugkopfs (Abb. E)

- ◆ Um Saugarbeiten auf Teppich auszuführen, schalten Sie den Bodenflächenwähler (24) in die obere Stellung.
- ◆ Um Saugarbeiten auf Laminat, Fliesen, usw. auszuführen, schalten Sie den Bodenflächenwähler in die untere Stellung.

Ein- und Ausschalten (Abb. A)

Der Ein-/Ausschalter (1) kann mit der Hand oder mit dem Fuß betätigt werden.

- ◆ Um das Gerät einzuschalten, drücken Sie auf den Ein-/Ausschalter (1).
- ◆ Um das Gerät auszuschalten, drücken Sie erneut auf den Ein-/Ausschalter.

Einstellen der Saugkraft (Abb. A)

Mit dem Saugkraftregler (2) kann die Saugkraft genau eingestellt werden.

- ◆ Schieben Sie den Saugkraftregler (2) in die gewünschte Stellung.
- ◆ Um Saugarbeiten auf harten Oberflächen (z.B. Böden) auszuführen, wählen Sie eine hohe Saugkraft.

- ◆ Um Saugarbeiten auf weichen Oberflächen (z.B. Polstern) auszuführen, wählen Sie eine niedrige Saugkraft.

Einstellen des Luftstroms (Abb. A)

- ◆ Stellen Sie den Nebenluftregler (7) so ein, daß der gewünschte Luftstrom erzielt wird.

Staubsaugen

- ◆ Stellen Sie beim Gebrauch des Geräts sicher, daß der Schlauch nicht eingeklemmt, verdreht oder blockiert wird.
- ◆ Im Falle einer Überhitzung wird das Gerät automatisch abgeschaltet.
- ◆ Wird das Gerät abgeschaltet, ziehen Sie den Stecker des Geräts aus der Steckdose und lassen Sie das Gerät 2 bis 3 Stunden abkühlen.

Hinweise für optimale Arbeitsergebnisse

- ◆ Bei Arbeiten an unzugänglichen Stellen entfernen Sie vorübergehend den Zubehöralter vom Rohr, um Ihren Einsatzbereich zu erweitern.
- ◆ Bei Saugarbeiten auf Treppen beginnen Sie stets unten und arbeiten Sie nach oben. Stellen Sie das Gerät auf den Boden und arbeiten Sie bis zur Hälfte der Stufen. Tragen Sie das Gerät anschließend zu einer standsicheren Position, die sich mindestens eine Stufe unterhalb Ihrer Arbeitsposition befindet. Führen Sie die Arbeit dann auf der oberen Hälfte der Stufen aus.

VL2040 - Verwendung der Turbobürste

- ◆ Achten Sie darauf, daß sich der Saugkraftregler in der Maximalstellung befindet. Bewegen Sie den Schieber oben auf der Bürste so, daß die Saugkraft optimiert wird.
- ◆ Bewegen Sie die Bürste gleichmäßig vor und zurück. Lassen Sie die Bürste nicht länger auf der gleichen Stelle, da dies unter Umständen die Oberfläche beschädigt.

Tragen des Geräts (Abb. H)

Beim Gebrauch kann das Gerät am Griff (4) getragen werden.

- ◆ Schwenken Sie den Griff wie angegeben in seine Position.

Kurzzeitiges Parken des Saugkopfs (Abb. I)

- ◆ Verwenden Sie die Parkposition (25), um den Saugkopf kurzzeitig zu parken.

Verstauen des Geräts (Abb. J)

Achtung! Wird das Gerät verstaut, schalten Sie das Gerät ab und ziehen Sie den Netzstecker aus der Steckdose.

- ◆ Vergewissern Sie sich, daß das Kabel vollständig aufgewickelt ist.
- ◆ Stellen Sie das Gerät aufrecht hin.

- ◆ Parken Sie das Rohr, indem Sie die Furchen am Kopf und am Rohr wie angegeben in die entsprechenden Schlitze am Gerät setzen. Die Arretierungsvorrichtung (26) rastet automatisch ein.
- ◆ Bewahren Sie das Gerät an einem trockenen Ort auf. Das Gerät kann am integrierten Griff (27) getragen werden.
- ◆ Um das Rohr zum Gebrauch vom Gerät zu entfernen, drücken Sie auf einen der Löseknöpfe und heben Sie das Rohr und den Kopf aus den Parkschlitzen heraus.

Wartung

Ihr Black & Decker Gerät wurde im Hinblick auf eine lange Lebensdauer und einen möglichst geringen Wartungsaufwand entwickelt. Ein dauerhafter, einwandfreier Betrieb setzt eine regelmäßige Reinigung voraus.

Achtung! Vor der Durchführung von Wartungs- oder Reinigungsarbeiten am Gerät ziehen Sie den Netzstecker aus der Steckdose.

- ◆ Reinigen Sie regelmäßig die Lüftungsschlitze im Gerät mit Hilfe einer weichen Bürste oder eines trockenen Tuches.
- ◆ Reinigen Sie regelmäßig das Motorgehäuse mit Hilfe eines feuchten Tuches. Verwenden Sie keine scheuernden Reinigungsmittel oder Reinigungsmittel auf Lösungsmittelbasis.

VL2040 - Reinigung der Turbobürste (Abb. K)

- ◆ Entfernen Sie eventuelle Haare oder Fäden, die sich auf der Bürste (28) angesammelt haben. Verwenden Sie gegebenenfalls eine Schere.
- ◆ Entfernen Sie den Deckel (29), um eventuelle Fremdkörper zu entfernen, die die Luftturbine (30) blockieren. Bringen Sie den Deckel wieder an.

Entleeren des Behälters (Abb. L & M)

Der Behälter (31) muß geleert werden, sobald die rote Behälter-voll-Anzeige (17) aufleuchtet oder sobald der Behälter sichtbar voll ist.

- ◆ Entfernen Sie den Behälter vom Gerät, indem Sie den Behälterlöseclip (32) freigeben und den Behälter am Griff (33) anheben (Abb. L).
- ◆ Ziehen Sie den Haken (34) etwas zurück, um den Deckel (5) vom Behälter (31) zu entfernen (Abb. M).
- ◆ Leeren Sie den Behälter bei Bedarf.
- ◆ Reinigen Sie den Filter wie unten beschrieben.
- ◆ Bringen Sie den Deckel (5) wieder an und achten Sie darauf, daß der Haken (34) wieder in seiner Position einrastet.
- ◆ Setzen Sie den Behälter wieder in das Gerät ein, bis der Clip (32) einrastet.

Reinigung

Achtung! Bevor Sie irgendwelche Reinigungs- und Wartungsarbeiten vornehmen, schalten Sie das Gerät aus, und ziehen Sie den Netzstecker.

- ◆ Wischen Sie das Gerät von Zeit zu Zeit mit einem feuchten Tuch ab. Verwenden Sie keine scheuernden Reinigungsmittel oder Reinigungsmittel auf Lösungsmittelbasis. Tauchen Sie das Gerät nicht in Wasser ein.

Reinigung des Behälterfilters (Abb. L - O)

Der Behälterfilter verhindert, daß Staub und Schmutz in das Motorgehäuse eindringt. Der Filter ist wiederverwertbar und sollte regelmäßig gereinigt werden.

- ◆ Nehmen Sie den Behälter aus dem Gerät (Abb. L).
- ◆ Nehmen Sie den Deckel (5) vom Behälter (31) (Abb. M).
- ◆ Ziehen Sie den Filter (35) vom Filterhalter (36) ab (Abb. N).
- ◆ Schütteln Sie den Staub ab, indem Sie den Filter in einem Mülleimer ausklopfen.
- ◆ Reinigen Sie mit der Bürste (14) sanft die Falten des Filters (35) (Abb. O).

Achtung! Den Filter nicht abbürsten oder mit Druckluft reinigen.

- ◆ Je nach Zustand das Äußere des Filters mit Wasser abspülen. Lassen Sie den Filter 24 Stunden trocknen, bevor Sie ihn wieder in das Gerät einsetzen.

Achtung! Waschen Sie nicht das Innere des Filters.

- ◆ Setzen Sie den Filter wieder ein.
- ◆ Bringen Sie den Deckel wieder an.
- ◆ Setzen Sie den Behälter wieder in das Gerät ein.

Reinigung des Motorfilters (Abb. L & P)

Der Motorfilter verhindert, daß Partikel und größere Gegenstände in das Motorgehäuse gelangen, wenn der Behälter entfernt wird. Der Filter ist wiederverwertbar und sollte regelmäßig gereinigt werden.

- ◆ Nehmen Sie den Behälter aus dem Gerät (Abb. L).
- ◆ Nehmen Sie den Filter (37) heraus (Abb. P).
- ◆ Bürsten Sie lockeren Staub vom Filter.
- ◆ Setzen Sie den Filter wieder ein.
- ◆ Setzen Sie den Behälter wieder in das Gerät ein.

Erneuern der Filter (Abb. L - Q)

Falls der Behälterfilter beschädigt ist oder nicht mehr richtig filtert, so muß er erneuert werden. Bei der Erneuerung des Behälterfilters müssen Motorfilter und Auslaßfilter ebenfalls erneuert werden. Ersatzfiltersätze erhalten Sie bei Ihrem Black & Decker Händler (Kat.-Nr. VLF10).

Erneuerung des Behälterfilters (Abb. L - N)

- ◆ Zur Erneuerung des Filters (35) gehen Sie wie oben beschrieben vor.

Erneuerung des Motorfilters (Abb. L & P)

- ◆ Zur Erneuerung des Filters (37) gehen Sie wie oben beschrieben vor.

Erneuerung der Auslaßfilter (Abb. Q & R)

- ◆ Öffnen Sie den Deckel (38).
- ◆ Entfernen Sie die alten Filter (39).
- ◆ Setzen Sie die neuen Filter wie angegeben ein.
- ◆ Schließen Sie den Deckel.

VL2040 - Erneuerung des Holzkohlefilters

Der Holzkohlefilter beseitigt Gerüche und Rauch aus der Luft, die das Motorgehäuse verläßt. Der Filter sollte alle 6 bis 9 Monate sowie bei Verschleiß oder Beschädigung erneuert werden. Ersatzfilter erhalten Sie bei Ihrem Black & Decker Händler (Kat.-Nr. VBF40).

- ◆ Zur Erneuerung des Filters (40) gehen Sie wie oben beschrieben vor.

Umweltschutz



Getrennte Entsorgung. Dieses Produkt darf nicht über den normalen Hausmüll entsorgt werden.

Sollte Ihr Black & Decker Produkt eines Tages erneuert werden müssen, oder falls Sie es nicht weiter verwenden wollen, so darf es nicht über den Hausmüll entsorgt werden. Stellen Sie dieses Produkt zur getrennten Entsorgung bereit.



Durch die getrennte Entsorgung gebrauchter Produkte und Verpackungen können die Materialien recycelt und wiederverwertet werden. Die Wiederverwertung recycelter Materialien schont die Umwelt und verringert die Nachfrage nach Rohstoffen.

Die regionalen Bestimmungen schreiben unter Umständen die getrennte Entsorgung elektrischer Produkte aus dem Haushalt an Sammelstellen oder seitens des Händlers vor, bei dem Sie das neue Produkt erworben haben.

Black & Decker nimmt Ihre ausgedienten Black & Decker Geräte gern zurück und sorgt für eine umweltfreundliche Entsorgung und Wiederverwertung. Um diesen Dienst zu nutzen, schicken Sie bitte Ihr Produkt zu einer Vertragswerkstatt. Hier wird es dann auf unsere Kosten gesammelt.

Die Adresse der zuständigen Black & Decker Vertretung steht in diesem Handbuch, darüber läßt sich die nächstgelegene Vertragswerkstatt ermitteln. Außerdem ist eine Liste der Vertragswerkstätten und aller Kundendienststellen von Black & Decker sowie der zuständigen Ansprechpartner im Internet zu finden unter: www.2helpU.com

Technische Daten

	VL1620	VL1840	VL2000	VL2040
Spannung	V 230	230	230	230
Leistungsaufnahme	W 1.600	1.800	2.000	2.000
Kabellänge	m 6	6	6	6
Behältergröße	l 2,5	2,5	2,5	2,5
Gewicht	kg 6,4	6,4	6,7	6,7

EG-Konformitätserklärung

VL1620/VL1840/VL2000/VL2040

Black & Decker erklärt, daß diese Produkte folgende Konformität erfüllen:

89/336/EWG, 73/23/EWG, EN 55014, EN 61000, EN 60335, EN 61000-3-11

Kevin Hewitt

Director of Consumer Engineering
Spennymoor, County Durham DL16 6JG,
Vereinigtes Königreich
1-12-2005

UK-Patentanmeldungen Nr. 0314945.7; 0314930.9; 0317674.0; 0314932.5

UK-Design-Anmeldungs-Nr. 3 013 970

Australische Design-Anmeldungs-Nr. 483/04

Design-Anmeldungs-Nr. Europäische Gemeinschaft 131 651

Chinesische Design-Anmeldungs-Nr. 200430002048

US-Design-Anmeldungs-Nr. 29/199,056

Garantie

Black & Decker vertraut auf die Qualität der eigenen Geräte und bietet dem Käufer eine außergewöhnliche Garantie. Diese Garantiezusage versteht sich unbeschadet der gesetzlichen Gewährleistungsansprüche und schränkt diese keinesfalls ein. Sie gilt in sämtlichen Mitgliedsstaaten der Europäischen Union und der Europäischen Freihandelszone EFTA.

Tritt innerhalb von 24 Monaten ab Kaufdatum an einem Gerät von Black & Decker ein auf Material- oder Verarbeitungsfehler zurückzuführender Mangel auf, garantiert Black & Decker den Austausch defekter Teile, die Reparatur von Geräten mit üblichem Verschleiß bzw. den Austausch eines mangelhaften Geräts, ohne den Kunden dabei mehr als unbedingt nötig in Anspruch zu nehmen, allerdings vorbehaltlich folgender Ausnahmen:

- ◆ wenn das Gerät gewerblich, beruflich oder im Verleihgeschäft benutzt wurde;
- ◆ wenn das Gerät mißbräuchlich verwendet oder mit mangelnder Sorgfalt behandelt wurde;
- ◆ wenn das Gerät durch irgendwelche Fremdeinwirkung beschädigt wurde;
- ◆ wenn ein unbefugter Reparaturversuch durch anderes Personal als das einer Vertragswerkstatt oder des Black & Decker-Kundendienstes unternommen wurde.

Zur Inanspruchnahme dieser Garantie ist dem Verkäufer bzw. der Vertragswerkstatt ein Kaufnachweis vorzulegen. Der Kaufnachweis muß Kaufdatum und Gerätetyp bescheinigen. Die Adresse des zuständigen Büros von Black & Decker steht in dieser Anleitung, darüber läßt sich die nächstgelegene Vertragswerkstatt ermitteln. Außerdem ist eine Liste der Vertragswerkstätten und aller Kundendienststellen von Black & Decker sowie der zuständigen Ansprechpartner im Internet zu finden unter: **www.2helpU.com**

Bitte besuchen Sie unsere Webseite **www.blackanddecker.de**, um Ihr neues Black & Decker Produkt zu registrieren und über neue Produkte und Sonderangebote aktuell informiert zu werden. Weitere Informationen über die Marke Black & Decker und unsere Produkte finden Sie unter **www.blackanddecker.de**

Utilisation prévue

Votre aspirateur Black & Decker a été conçu pour aspirer des substances sèches.

Ce produit a été conçu uniquement pour une utilisation domestique.

Instructions de sécurité

- ◆ **Attention !** Lors de l'utilisation d'appareils électriques, observez les consignes de sécurité fondamentales, y compris celles qui suivent, afin de réduire les risques d'incendie, de décharges électriques, de blessures et de dommages matériels.
- ◆ Lisez et observez attentivement les instructions avant d'utiliser l'appareil.
- ◆ Le domaine d'utilisation de l'appareil est décrit dans le présent manuel. Une utilisation de l'appareil autre que celle prévue dans le présent manuel ou l'utilisation d'accessoires autres que ceux recommandés dans le présent manuel pourraient entraîner un risque de blessure.
- ◆ Conservez ce manuel à titre de référence.

Utilisation de l'appareil

- ◆ Vérifiez que l'appareil est bien éteint avant de le brancher ou de le débrancher du secteur.
- ◆ Utilisez toujours cet appareil avec précaution.
- ◆ N'utilisez pas l'appareil à l'extérieur.
- ◆ Ne tirez jamais sur le câble électrique pour débrancher la prise du secteur. Préservez le câble de la chaleur, de l'huile et des arêtes tranchantes.
- ◆ Si le câble électrique est endommagé pendant l'utilisation, débranchez l'outil immédiatement. Ne touchez pas le câble électrique avant de le débrancher du secteur.
- ◆ Débranchez l'appareil du secteur lorsque vous ne l'utilisez pas, avant d'installer ou d'enlever des pièces et avant de le nettoyer.

Sécurité des tierces personnes

- ◆ Ne laissez jamais aucun enfant ou aucune personne non familiarisée avec ces instructions utiliser cet appareil.
- ◆ Ne laissez pas les enfants ou les animaux s'approcher de l'aire de travail voire toucher l'appareil ou le câble d'alimentation. Il faut redoubler de vigilance lorsque l'appareil est utilisé à proximité d'enfants.

Après emploi

- ◆ Débranchez l'appareil du secteur avant de le laisser sans surveillance et avant de remplacer, de nettoyer ou de contrôler une pièce quelconque de l'ensemble.
- ◆ Rangez l'appareil dans un endroit sec. Ne laissez pas les enfants s'approcher des appareils, même quand ils sont rangés.

Vérifications et réparations

- ◆ Avant d'utiliser l'appareil, vérifiez qu'il n'est pas endommagé et qu'il n'y a pas de pièces défectueuses. Assurez-vous que les pièces et les boutons ne sont pas endommagés et recherchez tout autre facteur qui pourrait nuire à son fonctionnement.
- ◆ N'utilisez pas l'appareil si une pièce est endommagée ou défectueuse.
- ◆ Faites réparer ou remplacer toute pièce endommagée par un réparateur agréé.
- ◆ Avant d'utiliser l'appareil, vérifiez que le câble électrique n'est pas endommagé ni usé.
- ◆ N'utilisez pas cet appareil si le câble électrique ou la prise du secteur sont endommagés ou défectueux.
- ◆ Si le câble électrique est endommagé, il doit être remplacé par un réparateur agréé pour éviter tout accident. Ne coupez pas le câble électrique et n'essayez pas de le réparer vous-même.
- ◆ N'essayez jamais d'enlever ou de changer des pièces autres que celles qui sont spécifiées dans ce manuel.

Sécurité électrique



L'outil est doublement isolé ; par conséquent, aucun câble de masse n'est nécessaire. Vérifiez si le voltage mentionné sur la plaque signalétique correspond bien à la tension de réseau sur site.

- ◆ Cet appareil n'est pas destiné à être utilisé par des jeunes ou des personnes infirmes sans supervision. Les enfants ne doivent pas jouer avec l'appareil.
- ◆ Si le câble d'alimentation est endommagé, il doit être remplacé par le fabricant ou par un centre de réparation agréé Black & Decker afin d'éviter tout accident.

VL1840 - Chutes de tension

Les courants d'appel provoquent des chutes de tension temporaires. Sous certaines circonstances d'alimentation électrique défavorable, d'autres équipements peuvent en être affectés. Par exemple, l'éclairage artificiel indique une chute temporaire d'une certaine magnitude lorsque la machine est mise en marche.

Si l'alimentation électrique présente une impédance système inférieure à 0,47 Ω , il est peut probable que des perturbations se produisent.

Consignes supplémentaires de sécurité applicables aux aspirateurs

- ◆ Avant d'utiliser l'appareil, vérifiez toujours que le filtre est bien en place.
- ◆ Ne portez pas l'appareil par la poignée du bac.
- ◆ N'utilisez pas l'appareil pour aspirer des liquides.

- ◆ N'utilisez pas l'appareil pour aspirer des matières inflammables.
- ◆ N'utilisez pas l'appareil près de l'eau. N'immergez pas l'appareil dans l'eau.
- ◆ Éloignez le visage et les yeux du courant d'air provoqué par le moteur.
- ◆ Quand vous utilisez l'appareil, maintenez les enfants et les animaux à une distance de sécurité.
- ◆ Travaillez toujours du bas vers le haut quand vous utilisez l'appareil dans un escalier et placez-le au moins une marche en dessous de vous.
- ◆ L'appareil ne doit pas être utilisé sans le suceur ou un autre accessoire monté sur le tube.
- ◆ N'approchez pas les cheveux, vêtements ou gants des parties des pièces mobiles. Ne passez pas la main dans la brosse rotative. Maintenez la brosse rotative écartée du cordon d'alimentation.
- ◆ N'utilisez aucun accessoire endommagé.
- ◆ Utilisez uniquement des accessoires Black & Decker.

Caractéristiques

Cet appareil comprend toutes ou certaines des caractéristiques suivantes (fig. A).

1. Interrupteur marche/arrêt
2. Bouton de réglage de vitesse
3. Bouton enrouleur de cordon
4. Poignée
5. Couvercle
6. Tuyau
7. Bouton de commande de débit d'air
8. Tube télescopique
9. Suceur
10. Roulettes

Cet appareil est livré avec quelques-uns ou tous les éléments suivants (fig. B) :

11. Suceur plat
12. Brosse
13. Suceur à parquets (VL1840)
14. Brosse pour filtre
15. Turbo-brosse (VL2040)

Le suceur à parquets n'est pas fourni pour tous les modèles.

Cet accessoire est disponible auprès de votre revendeur / centre d'entretien Black & Decker (réf. VW70).

La turbo-brosse n'est pas fournie pour tous les modèles.

Cet accessoire est disponible auprès de votre revendeur / centre d'entretien Black & Decker (réf. VW80).

Montage

Branchement du tuyau (fig. C)

- ◆ Insérez le raccord du tuyau (17) dans l'orifice (16) de l'appareil.
- ◆ Poussez sur le tuyau jusqu'à ce que les boutons de libération (18) s'enclenchent.
- ◆ Pour enlever le tuyau, appuyez sur les boutons de libération et tirez sur le tuyau.

Montage du tube télescopique (fig. D)

- ◆ Appuyez sur le bouton de verrouillage (19) et glissez l'embout du tuyau (20) dans le tube (8) jusqu'à ce qu'il s'enclenche.
- ◆ Pour enlever le tube, appuyez sur le bouton de verrouillage et sortez le tuyau du tube.

Montage du suceur (fig. E)

Le suceur (9) permet d'aspirer les tapis et les surfaces dures (par exemple les stratifiés et les carreaux).

- ◆ Appuyez sur le bouton de verrouillage (21) et glissez le tube (8) dans le suceur (9) jusqu'à ce qu'il s'enclenche.
- ◆ Pour enlever le suceur, appuyez sur le bouton de verrouillage et tirez-le hors du tube.

VL1840 - Montage du suceur à parquets (fig. E)

Le suceur à parquets (13) permet d'aspirer les surfaces en bois et polies.

- ◆ Appuyez sur le bouton de verrouillage (21) et glissez le tube (8) dans le suceur jusqu'à ce qu'il s'enclenche.
- ◆ Pour enlever le suceur, appuyez sur le bouton de verrouillage et tirez-le hors du tube.

VL2040 - Montage de la brosse (fig. E)

La turbo-brosse (14) permet d'aspirer la moquette. La brosse se révèle particulièrement utile pour aspirer les cheveux, fils, etc. mais aussi pour rafraîchir les moquettes piétinées.

- ◆ Appuyez sur le bouton de verrouillage (21) et glissez le tube (8) dans le suceur jusqu'à ce qu'il s'enclenche.
- ◆ Pour enlever le suceur, appuyez sur le bouton de verrouillage et tirez-le hors du tube.

Montage des accessoires (fig. E & F)

Le suceur plat (11) permet d'aspirer dans les endroits étroits et difficiles d'accès. La brosse (12) est destinée à aspirer les meubles, les persiennes, les rideaux, les fenêtres et les escaliers. Il est possible de monter les accessoires sur le tuyau (6) et sur le tube (8). Les accessoires se rangent dans le support prévu à cet effet (22).

- ◆ Retirez l'accessoire du support (fig. F).

- ◆ Appuyez sur le bouton de verrouillage (19) et glissez l'accessoire sur l'embout du tuyau (20) ou sur le tube (8) (fig. E).
- ◆ Pour enlever un accessoire, appuyez sur le bouton de verrouillage (19) et retirez-le.

Utilisation

Déroulement et enroulement du cordon (fig. A)

Le bouton d'enroulement du cordon (3) est maniable avec la main ou avec le pied.

- ◆ Tirez une longueur suffisante de cordon pour utiliser l'appareil.
- ◆ Après l'emploi, enfoncez le bouton d'enroulement du cordon pour ranger ce dernier. Guidez manuellement le cordon pour qu'il ne se torde pas. Vérifiez que la prise est bien placée.

Réglage de la longueur du tube (fig. G)

Le tube télescopique (8) peut être réglé sur 21 positions.

- ◆ Appuyez sur le bouton de réglage (23) et faites glisser le tube à la longueur voulue.
- ◆ Relâchez le bouton.

Réglage du suceur (fig. E)

- ◆ Pour aspirer les tapis, placez le sélecteur de surface (24) sur la position supérieure.
- ◆ Pour aspirer des stratifiés, des carreaux, etc., placez le sélecteur de surface sur la position inférieure.

Démarrage et arrêt (fig. A)

L'interrupteur marche/arrêt (1) peut être actionné avec le pied ou avec la main.

- ◆ Pour mettre l'appareil en marche, appuyez sur l'interrupteur marche/arrêt (1).
- ◆ Pour arrêter l'appareil, appuyez de nouveau sur l'interrupteur marche/arrêt.

Réglage de la force d'aspiration (fig. A)

Le bouton de commande de vitesse (2) permet de régler avec précision la force d'aspiration.

- ◆ Ajustez la vitesse souhaitée à l'aide du bouton de commande de vitesse (2).
- ◆ Pour aspirer des surfaces dures (par exemple les sols), choisissez une vitesse élevée.
- ◆ Pour aspirer des surfaces molles (par exemple les tapisseries), choisissez une vitesse faible.

Réglage du débit d'air (fig. A)

- ◆ Ajustez le débit d'air selon vos besoins à l'aide du bouton de commande de débit d'air (7).

Aspiration

- ◆ Prenez garde, quand vous utilisez l'appareil, à ne pas coincer, tordre ou bloquer le tuyau.
- ◆ En cas de surchauffe, un sectionneur sera activé et arrêtera automatiquement l'appareil.
- ◆ Si l'appareil s'arrête, débranchez-le et laissez-le refroidir pendant 2-3 heures.

Conseils pour une utilisation optimale

- ◆ Quand vous aspirez dans des espaces restreints, retirez provisoirement le support d'accessoires du tube afin de mieux travailler.
- ◆ Dans les escaliers, commencez toujours par le bas et travaillez en montant. Placez l'appareil sur le sol et aspirez l'escalier jusqu'au milieu. Mettez ensuite l'appareil en position stable sur une marche se trouvant au moins un niveau en dessous de vous et faites le reste de l'escalier.

VL2040 - Utilisation de la turbo-brosse

- ◆ Assurez-vous que le bouton de commande de vitesse est en position maximum. Ajustez le sélecteur sur le sommet de la brosse afin d'optimiser la force d'aspiration.
- ◆ Déplacez la brosse régulièrement d'avant en arrière. Ne laissez pas la brosse trop longtemps au même endroit. La surface pourrait en effet être endommagée.

Comment porter l'appareil (fig. H)

L'appareil peut, pendant l'utilisation, être transporté par la poignée (4).

- ◆ Inclinez la poignée sur la position indiquée.

Parking provisoire du suceur (fig. I)

- ◆ Pour ranger provisoirement le suceur, placez-le sur la position de parking (25).

Rangement de l'appareil (fig. J)

Attention ! Lorsque vous rangez l'appareil, éteignez-le et débranchez-le.

- ◆ Vérifiez que le cordon est entièrement enroulé.
- ◆ Placez l'appareil debout.
- ◆ Rangez le tube en mettant les saillies du suceur et le tube dans les fentes correspondantes de l'appareil, comme indiqué. Le dispositif de verrouillage (26) s'enclenche automatiquement.
- ◆ Rangez l'appareil dans un endroit sec. L'appareil doit être transporté à l'aide de la poignée intégrée (27).
- ◆ Pour séparer le tube de l'appareil, enfoncez l'un des boutons de blocage et séparez le tube et le suceur des fentes de rangement.

Entretien

Votre appareil Black & Decker a été conçu pour fonctionner pendant longtemps avec un minimum d'entretien. Un fonctionnement satisfaisant et durable dépend d'un nettoyage régulier et d'un entretien approprié de l'appareil.

Attention ! Avant d'intervenir sur l'appareil, débranchez-le.

- ◆ Nettoyez régulièrement les orifices de ventilation de votre appareil à l'aide d'une brosse douce ou d'un chiffon sec.
- ◆ Nettoyez régulièrement le compartiment du moteur à l'aide d'un chiffon humide. N'utilisez pas de produit abrasif ou à base de solvant.

VL2040 - Nettoyage de la turbo-brosse (fig. K)

- ◆ Retirez les cheveux et fils accumulés dans la brosse (28). Utilisez une paire de ciseaux si nécessaire.
- ◆ Enlevez le couvercle (29) pour retirer toute particule susceptible d'obstruer la turbine à air (30). Remettez le couvercle.

Vidage du bac (fig. L & M)

Vous devez vider le bac (31) quand l'indicateur rouge de bac plein (17) s'allume ou quand le bac est visiblement plein.

- ◆ Pour retirer le bac de l'appareil, dégagez l'agrafe de fixation (32) et soulevez le bac par la poignée (33) (fig. L).
- ◆ Tirez légèrement sur le crochet (34) pour enlever le couvercle (5) du bac (31) (fig. M).
- ◆ Videz le bac.
- ◆ Nettoyez le filtre comme indiqué ci-dessous.
- ◆ Remplacez le couvercle (5) en veillant à ce que le crochet (34) s'enclenche bien.
- ◆ Poussez le bac dans l'appareil jusqu'à ce que l'agrafe (32) s'enclenche.

Nettoyage

Attention ! Avant d'effectuer tout entretien ou nettoyage, éteignez et débranchez l'appareil.

- ◆ Essayez de temps en temps l'appareil avec un chiffon humide. N'utilisez pas de produit abrasif ou à base de solvant. N'immergez pas l'appareil dans l'eau.

Nettoyage du filtre du bac (fig. L - O)

Le filtre placé dans le bac empêche la poussière et les impuretés d'entrer dans le logement du moteur. Le filtre est réutilisable et doit être nettoyé régulièrement.

- ◆ Retirez le bac de l'appareil (fig. L).
- ◆ Retirez le couvercle (5) du bac (31) (fig. M).
- ◆ Sortez le filtre (35) de son support (36) (fig. N).
- ◆ Époussetez le filtre en le tapotant contre la poubelle.

- ◆ Nettoyez doucement les plis du filtre (35) à l'aide de la brosse (14) (fig. O).

Attention ! Ne nettoyez pas le filtre à la brosse ni à l'air comprimé.

- ◆ Selon l'état du filtre, nettoyez la partie externe avec de l'eau. Laissez-le sécher pendant 24 heures avant de le réintroduire dans le bac.

Attention ! Ne lavez pas l'intérieur du filtre.

- ◆ Remplacez le filtre.
- ◆ Remettez le couvercle.
- ◆ Remettez le bac dans l'appareil.

Nettoyage du filtre du moteur (fig. L & P)

Le filtre du moteur empêche les particules ou éléments plus gros d'entrer dans le logement du moteur lorsque le bac est enlevé. Le filtre est réutilisable et doit être nettoyé régulièrement.

- ◆ Retirez le bac de l'appareil (fig. L).
- ◆ Sortez le filtre (37) (fig. P).
- ◆ Enlevez les poussières détachables du filtre à l'aide d'une brosse.
- ◆ Remplacez le filtre.
- ◆ Remettez le bac dans l'appareil.

Remplacement des filtres (fig. L - Q)

Si le filtre du bac est endommagé ou ne fonctionne pas correctement, il faut le changer. Quand vous changez le filtre du bac, vous devez également changer le filtre du moteur et les filtres de sortie. Vous pouvez vous procurer des jeux de filtres neufs auprès des détaillants Black & Decker (réf. VLF10).

Remplacement du filtre du bac (fig. L - N)

- ◆ Procédez comme expliqué ci-dessus pour remplacer le filtre (35).

Remplacement du filtre du moteur (fig. L & P)

- ◆ Procédez comme expliqué ci-dessus pour remplacer le filtre (37).

Remplacement des filtres de sortie (fig. Q & R)

- ◆ Ouvrez le couvercle (38).
- ◆ Enlevez les filtres usagés (39).
- ◆ Insérez les filtres neufs comme indiqué.
- ◆ Fermez le couvercle.

VL2040 - Remplacement du filtre à charbon

Le filtre à charbon élimine les odeurs et fumées de l'air expulsé du carter moteur. Le filtre doit être remplacé tous les 6 à 9 mois et dès qu'il est usé ou endommagé. Vous pouvez vous procurer des filtres neufs auprès des détaillants Black & Decker (réf. VBF40).

- ◆ Procédez comme expliqué ci-dessus pour remplacer le filtre (40).

Protection de l'environnement



Collecte séparée. Ce produit ne doit pas être jeté avec les déchets domestiques normaux.

Si vous décidez de remplacer ce produit Black & Decker, ou si vous n'en avez plus l'utilité, ne le jetez pas avec vos déchets domestiques. Rendez-le disponible pour une collecte séparée.



La collecte séparée des produits et emballages usés permet le recyclage des articles afin de les utiliser à nouveau. Le fait d'utiliser à nouveau des produits recyclés permet d'éviter la pollution environnementale et de réduire la demande de matières premières.

Les réglementations locales peuvent permettre la collecte séparée des produits électriques du foyer, dans des déchetteries municipales ou auprès du revendeur vous ayant vendu votre nouveau produit.

Black & Decker fournit un dispositif permettant de collecter et de recycler les produits Black & Decker lorsqu'ils ont atteint la fin de leur cycle de vie. Pour pouvoir profiter de ce service, veuillez retourner votre produit à un réparateur agréé qui se chargera de le collecter pour nous.

Pour connaître l'adresse du réparateur agréé le plus proche de chez vous, contactez le bureau Black & Decker à l'adresse indiquée dans ce manuel. Vous pourrez aussi trouver une liste des réparateurs agréés de Black & Decker et de plus amples détails sur notre service après-vente sur le site Internet à l'adresse suivante : www.2helpU.com

Caractéristiques techniques

	VL1620	VL1840	VL2000	VL2040
Tension	V 230	230	230	230
Puissance absorbée	W 1.600	1.800	2.000	2.000
Longueur de câble	m 6	6	6	6
Volume du bac	l 2,5	2,5	2,5	2,5
Poids	kg 6,4	6,4	6,7	6,7

Déclaration de conformité CE

VL1620/VL1840/VL2000/VL2040

Black & Decker déclare que ces produits sont conformes à :
89/336/CEE, 73/23/CEE, EN 55014, EN 61000, EN 60335,
EN 61000-3-11

Kevin Hewitt
Directeur Ingénierie Client
Spennymoor, County Durham DL16 6JG,
Royaume Uni
1-12-2005

N° de demande de brevet UK : 0314945.7; 0314930.9;
0317674.0; 0314932.5

Dessin pour demande de brevet UK n° 3 013 970

Dessin pour demande de brevet Australie n° 483/04

Dessin pour demande de brevet UE n° 131 651

Dessin pour demande de brevet Chine n° 200430002048

Dessin pour demande de brevet US n° 29/199,056

Garantie

Black & Decker est confiant dans la qualité de ses produits et vous offre une garantie très étendue. Ce certificat de garantie est un document supplémentaire et ne peut en aucun cas se substituer à vos droits légaux. La garantie est valable sur tout le territoire des Etats Membres de l'Union Européenne et de la Zone de Libre Echange Européenne.

Si un produit Black & Decker s'avère défectueux en raison de matériaux en mauvaises conditions, d'une erreur humaine, ou d'un manque de conformité dans les 24 mois suivant la date d'achat, Black & Decker garantit le remplacement des pièces défectueuses, la réparation des produits usés ou cassés ou remplace ces produits à la convenance du client, sauf dans les circonstances suivantes :

- ◆ Le produit a été utilisé dans un but commercial, professionnel, ou a été loué.
- ◆ Le produit a été mal utilisé ou avec négligence.
- ◆ Le produit a subi des dommages à cause d'objets étrangers, de substances ou à cause d'accidents.
- ◆ Des réparations ont été tentées par des techniciens ne faisant pas partie du service technique de Black & Decker.

Pour avoir recours à la garantie, il est nécessaire de fournir une preuve d'achat au vendeur ou à un réparateur agréé. Pour connaître l'adresse du réparateur agréé le plus proche de chez vous, contactez le bureau Black & Decker à l'adresse indiquée dans ce manuel. Vous pourrez aussi trouver une liste des réparateurs agréés de Black & Decker et de plus amples détails sur notre service après-vente sur le site Internet à l'adresse suivante : www.2helpU.com

Visitez notre site Web www.blackanddecker.fr pour enregistrer votre nouveau produit Black & Decker et être informé des nouveaux produits et des offres spéciales. Pour plus d'informations concernant la marque Black & Decker et notre gamme de produits, consultez notre site www.blackanddecker.fr

Uso previsto

L'aspirapolvere Black & Decker consente di aspirare sostanze asciutte.

Questo prodotto è destinato esclusivamente all'uso domestico.

Precauzioni di sicurezza

- ◆ **Attenzione!** Quando si utilizzano apparecchi elettrici, per ridurre il rischio di incendio, scosse elettriche, infortuni alle persone e danni alle cose è necessario seguire sempre delle precauzioni di sicurezza basilari, incluso le seguenti:
- ◆ Prima di adoperare l'elettrodomestico, leggere attentamente le istruzioni fornite nel presente manuale.
- ◆ L'utilizzo previsto è quello descritto in questo manuale. L'uso di accessori o attrezzature diversi o l'uso di questo elettrodomestico per scopi diversi da quelli indicati nel presente manuale comportano il rischio di infortuni.
- ◆ Conservare questo manuale di istruzioni per successive consultazioni.

Uso dell'elettrodomestico

- ◆ Accertarsi che l'elettrodomestico sia spento prima di collegarlo o scollegarlo dall'alimentazione.
- ◆ Fare sempre attenzione durante l'utilizzo dell'elettrodomestico.
- ◆ Evitare di utilizzare l'elettrodomestico in ambienti esterni.
- ◆ Non tirare mai il cavo di alimentazione per disinserire la spina dalla presa. Mantenere il cavo lontano da fonti di calore, da olio e bordi taglienti.
- ◆ Se il cavo di alimentazione si danneggia durante l'uso, disinserire immediatamente la spina dell'elettrodomestico dalla presa di corrente. Non toccare il cavo di alimentazione se non dopo aver disinserito la spina dalla presa di corrente.
- ◆ Scollegare l'elettrodomestico dall'alimentazione quando non è in uso, prima di installare o rimuovere dei componenti e prima di pulirlo.

Sicurezza altrui

- ◆ Vietare l'uso dell'elettrodomestico ai bambini e agli adulti che non abbiano letto il presente manuale d'istruzioni.
- ◆ Vietare a bambini o ad animali di avvicinarsi all'area in cui si usa l'elettrodomestico, di toccare l'elettrodomestico o il cavo di alimentazione. E' necessaria un'attenta supervisione quando l'elettrodomestico viene utilizzato vicino a bambini.

Dopo l'uso

- ◆ Prima di lasciare incustodito l'elettrodomestico, e prima di cambiarne, pulirne o ispezionarne qualsiasi parte, spegnerlo ed estrarre la spina dalla presa.
- ◆ Quando non è in funzione, l'elettrodomestico deve essere conservato in un luogo asciutto. I bambini non devono avere accesso agli elettrodomestici riposti.

Ispezione e riparazioni

- ◆ Prima dell'uso, verificare che non vi siano componenti danneggiati o difettosi. Verificare anche che non vi siano parti rotte, che gli interruttori non siano danneggiati e che non vi sia nulla che comprometta il funzionamento.
- ◆ Non usare l'elettrodomestico se ci sono elementi danneggiati o difettosi.
- ◆ Eventuali elementi difettosi o danneggiati devono essere sostituiti o riparati da un tecnico autorizzato.
- ◆ Prima dell'uso, controllare che il cavo di alimentazione non presenti segni di danni, invecchiamento e usura.
- ◆ Non usare l'elettrodomestico se il cavo di alimentazione o la spina sono danneggiati o difettosi.
- ◆ Se il cavo di alimentazione o la spina sono danneggiati o difettosi devono essere riparati da un tecnico autorizzato, onde evitare situazioni pericolose. Non tagliare il cavo di alimentazione e non tentare di ripararlo personalmente.
- ◆ Non tentare mai di smontare o sostituire componenti diversi da quelli indicati nel presente manuale.

Sicurezza elettrica



Il doppio isolamento di cui è provvisto l'utensile rende superfluo il filo di terra. Controllare sempre che l'alimentazione corrisponda alla tensione indicata sulla targhetta delle caratteristiche.

- ◆ L'elettrooutensile non deve essere utilizzato da ragazzi o persone inabili senza la supervisione di un adulto. Controllare i bambini per evitare che giochino con l'elettrooutensile.
- ◆ Se il cavo elettrico in dotazione risulta danneggiato, deve essere sostituito dal produttore o da un Centro di assistenza autorizzato Black & Decker, onde evitare rischi.

VL1840 - Cadute di tensione

Una rapida richiesta di corrente può causare brevi cadute di tensione. In condizioni sfavorevoli di alimentazione, altri apparati potrebbero esserne influenzati. Ad esempio, l'illuminazione subirà un breve abbassamento all'accensione della macchina.

Se l'impedenza dell'alimentatore è inferiore a $0,47 \Omega$, è probabile che tali interferenze non si verifichino.

Istruzioni di sicurezza supplementari per gli aspirapolvere

- ◆ Prima dell'uso, verificare che il filtro sia alloggiato correttamente.
- ◆ Non trasportare l'elettrodomestico afferrandolo per la maniglia del contenitore.
- ◆ Non usare l'elettrodomestico per aspirare liquidi.
- ◆ Non usare l'elettrodomestico per aspirare materiali che potrebbero incendiarsi.

- ◆ Non utilizzare l'elettrodomestico in prossimità dell'acqua. Non immergere l'elettrodomestico in acqua.
- ◆ Mantenere il tiraggio del motore lontano dagli occhi e dal viso.
- ◆ Quando si usa l'elettrodomestico bambini e animali devono restare a distanza di sicurezza.
- ◆ Quando si puliscono dei gradini, procedere sempre dal basso verso l'alto e tenere l'elettrodomestico almeno di un gradino al di sotto rispetto alla propria posizione.
- ◆ Non adoperare l'elettrodomestico se sul tubo non è montata la testa di aspirazione o un altro accessorio adatto.
- ◆ Tenere capelli, vestiti e guanti lontani da pezzi in movimento. Non toccare la spazzola in rotazione. Mantenere la spazzola in rotazione a distanza dal cavo di alimentazione.
- ◆ Non utilizzare accessori danneggiati.
- ◆ Usare esclusivamente accessori Black & Decker.

Caratteristiche

In questo elettrodomestico sono presenti tutte le seguenti funzioni, o alcune di esse (fig. A).

1. Interruttore acceso/spento
2. Interruttore di regolazione della velocità
3. Pulsante di riavvolgimento del cavo
4. Maniglia
5. Coperchio
6. Flessibile
7. Interruttore di regolazione del flusso di aria
8. Tubo di prolunga
9. Testa di aspirazione
10. Ruote

Questo elettrodomestico, inoltre, viene fornito con in dotazione alcuni o tutti i seguenti accessori (fig. B):

11. Bocchetta a lancia
12. Spazzola
13. Spazzola per parquet (VL1840)
14. Spazzola per pulizia filtro
15. Spazzola turbo (VL2040)

La spazzola per parquet non è fornita con tutti i modelli.

Tale accessorio è disponibile presso il rivenditore / il centro di assistenza Black & Decker di zona (n. cat. VW70).

La spazzola turbo non è fornita con tutti i modelli.

Tale accessorio è disponibile presso il rivenditore / il centro di assistenza Black & Decker di zona (n. cat. VW80).

Montaggio

Connessione del tubo flessibile (fig. C)

- ◆ Inserire il connettore del flessibile (17) nella bocca di entrata (16) dell'elettrodomestico.

- ◆ Fare scivolare il flessibile in avanti finché i pulsanti di sgancio (18) non scattano in posizione.
- ◆ Per staccare il flessibile, premere i pulsanti di sgancio e poi estrarlo.

Montaggio del tubo di prolunga (fig. D)

- ◆ Premere il pulsante di bloccaggio (19) e far scivolare la bocchetta del flessibile (20) nel tubo (8), finché non scatta in posizione.
- ◆ Per togliere il tubo, premere il pulsante di bloccaggio ed estrarre il flessibile dal tubo.

Montaggio della testa di aspirazione (fig. E)

La testa di aspirazione (9) consente di pulire i tappeti e le superfici dure (ad es. laminati e mattonelle).

- ◆ Premere il pulsante di bloccaggio (21) e far scivolare il tubo (8) nella testa (9), finché non scatta in posizione.
- ◆ Per togliere la testa, premere il pulsante di bloccaggio ed estrarre il tubo dalla testa.

VL1840 - Montaggio della spazzola per parquet (fig. E)

La spazzola per parquet (13) consente di pulire le superfici in legno e lucide.

- ◆ Premere il pulsante di bloccaggio (21) e far scivolare il tubo (8) nella testa finché non scatta in posizione.
- ◆ Per togliere la testa, premere il pulsante di bloccaggio ed estrarre il tubo dalla testa.

VL2040 - Montaggio della spazzola turbo (fig. E)

La spazzola turbo (14) consente di aspirare tappeti a pelo raso. Questa spazzola è particolarmente utile per asportare capelli, fili, ecc. ma anche per rinfrescare tappeti calpestati.

- ◆ Premere il pulsante di bloccaggio (21) e far scivolare il tubo (8) nella testa finché non scatta in posizione.
- ◆ Per togliere la testa, premere il pulsante di bloccaggio ed estrarre il tubo dalla testa.

Montaggio degli accessori (fig. E & F)

La bocchetta a fessura (11) permette di pulire i punti più stretti e inaccessibili. La spazzola (12) permette di pulire mobili, persiane, tende, finestre e scale. Gli accessori possono essere montati sia sul flessibile (6) che sul tubo (8). Quando non vengono utilizzati, gli accessori possono essere riposti nel porta-accessori (22).

- ◆ Estrarre gli accessori dal vano (fig. F).
- ◆ Premere il pulsante di bloccaggio (19) e far scivolare l'accessorio sulla bocchetta del flessibile (20) o sul tubo (8) (fig. E).
- ◆ Per togliere un accessorio, estrarlo tenendo premuto il pulsante di bloccaggio (19).

Uso

Svolgimento e riavvolgimento del cavo (fig. A)

Il pulsante di riavvolgimento del cavo (3) può essere azionato con la mano o il piede.

- ◆ Prima dell'uso, estrarre il cavo dal retro dell'elettrodomestico fino a ottenere una lunghezza soddisfacente.
- ◆ Dopo l'uso, premere il pulsante di riavvolgimento per riporre il cavo nel suo alloggiamento. Guidare il cavo con la mano per evitare che oscilli. Controllare che la spina sia nella posizione corretta.

Regolazione della lunghezza del tubo (fig. G)

Il tubo di prolunga (8) può essere regolato in 21 posizioni.

- ◆ Innestare la manopola di regolazione (23) e far scivolare il tubo alla lunghezza desiderata.
- ◆ Rilasciare la manopola.

Regolazione della testa di aspirazione (fig. E)

- ◆ Per pulire i tappeti, mettere il selettore dei pavimenti (24) in posizione alta.
- ◆ Per pulire laminati, mattonelle ecc., mettere il selettore dei pavimenti (26) in posizione bassa.

Avviamento e spegnimento (fig. A)

L'interruttore on / off (1) può essere azionato con la mano o il piede.

- ◆ Per accendere l'elettrodomestico, premere l'interruttore on / off (1).
- ◆ Per spegnere l'elettrodomestico, premere di nuovo l'interruttore on / off.

Regolazione della potenza di aspirazione (fig. A)

Il controllo della velocità (2) consente di regolare con precisione la potenza di aspirazione.

- ◆ Regolare l'interruttore di regolazione della velocità (2) sull'impostazione desiderata.
- ◆ Per pulire superfici dure (ad es. pavimenti), selezionare una velocità elevata.
- ◆ Per pulire superfici morbide (ad es. tappezzeria), selezionare una velocità bassa.

Regolazione del flusso di aria (fig. A)

- ◆ Spostare la manopola di regolazione del flusso di aria (7) fino a ottenere il flusso desiderato.

Aspirazione della polvere

- ◆ Quando si adopera l'elettrodomestico, controllare che il flessibile non sia intrappolato, piegato o bloccato.
- ◆ In caso di surriscaldamento, l'elettrodomestico si ferma automaticamente.

- ◆ Se l'elettrodomestico si spegne, estrarre la spina dalla presa e lasciarlo raffreddare per 2-3 ore.

Consigli per un'ottima utilizzazione

- ◆ Quando si puliscono delle aree ristrette, rimuovere temporaneamente il porta-accessori dal tubo, per agevolare i movimenti.
- ◆ Quando si puliscono le scale, procedere sempre dal basso verso l'alto. Mettere l'elettrodomestico sul pavimento e pulire metà della scala. Poi collocare l'aspirapolvere in un punto stabile che sia di almeno un gradino al di sotto della propria posizione e pulire l'altra metà della scala.

VL2040 - Utilizzo della spazzola turbo

- ◆ Verificare che il selettore di velocità sia impostato sul valore massimo. Spostare il selettore in cima alla spazzola in base alle necessità, per ottimizzare la forza di aspirazione.
- ◆ Spostare la spazzola avanti e indietro con decisione. Non mantenere la spazzola nella stessa posizione a lungo, in quanto potrebbe danneggiare la superficie.

Trasporto dell'elettrodomestico (fig. H)

Durante l'uso, l'aspirapolvere può essere trasportato afferrandolo per la maniglia (4).

- ◆ Inclinare la maniglia in posizione, come illustrato.

Esclusione temporanea della testa di aspirazione (fig. I)

- ◆ Usare la posizione di esclusione (25) per escludere temporaneamente la testa di aspirazione.

Conservazione dell'elettrodomestico (fig. J)

Attenzione! Per riporre l'elettrodomestico, spegnerlo e disinserire la spina.

- ◆ Accertare che il cavo sia completamente riavvolto.
- ◆ Mettere l'elettrodomestico in posizione verticale.
- ◆ Sistemare il tubo collocando le sporgenze all'estremità superiore del tubo nelle fessure corrispondenti dell'elettrodomestico, come mostrato. Il dispositivo di bloccaggio (26) s'innesta automaticamente.
- ◆ Riporre l'elettrodomestico in un luogo asciutto. L'aspirapolvere può essere trasportato afferrandolo per la maniglia incorporata (27).
- ◆ Per estrarre il tubo per utilizzare l'aspirapolvere, premere uno dei pulsanti di bloccaggio e sollevare tubo e testa dagli alloggiamenti.

Manutenzione

Questo elettrodomestico Black & Decker é stato progettato per funzionare a lungo con un minimo di manutenzione. Per ottenere prestazioni sempre soddisfacenti occorre avere cura dell'elettrodomestico e sottoporlo a pulizia e manutenzione periodica.

Attenzione! Prima di eseguire qualsiasi intervento di manutenzione o pulizia, estrarre la spina dalla presa.

- ◆ Le prese di ventilazione dell'elettrodomestico devono essere pulite regolarmente con un pennello morbido o un panno asciutto.
- ◆ Il vano del motore deve essere pulito regolarmente con un panno umido. Non usare materiali abrasivi o detergenti a base di solventi.

VL2040 - Pulizia della spazzola turbo (fig. K)

- ◆ Eliminare capelli o fili impigliati nella spazzola (28). Utilizzare un paio di forbici se necessario.
- ◆ Togliere il coperchio (29) per rimuovere eventuali oggetti estranei bloccati nella turbina di aspirazione (30). Rimontare il coperchio.

Svuotamento del contenitore (fig. L & M)

Il contenitore (31) deve essere svuotato quando s'illumina la spia rossa che indica il pieno (17) o se è evidentemente al limite della capacità.

- ◆ Rimuovere il contenitore dall'elettrodomestico, rilasciando il fermo di ritegno (32) e sollevando il contenitore per la maniglia (33) (fig. L).
- ◆ Tirare leggermente indietro il gancio (34) per togliere il coperchio (5) dal contenitore (31) (fig. M).
- ◆ Svuotare il contenitore come necessario.
- ◆ Pulire il filtro come descritto di seguito.
- ◆ Reinstallare il coperchio (5), facendo attenzione a far scattare di nuovo in posizione il gancio (34).
- ◆ Reinserire il contenitore nell'elettrodomestico finché il fermo (32) non s'innesta.

Pulizia

Attenzione! Prima di eseguire qualsiasi procedura di pulizia o manutenzione, spegnere l'elettrodomestico e disinserirne la spina dalla presa.

- ◆ Pulire di tanto in tanto l'apparecchio con un panno umido. Non usare materiali abrasivi o detergenti a base di solventi. Non immergere l'elettrodomestico in acqua.

Pulizia del filtro del contenitore (fig. L - O)

Il filtro del contenitore impedisce a polvere e sporcizia di penetrare nel vano del motore. Il filtro è riutilizzabile e deve essere pulito regolarmente.

- ◆ Togliere il contenitore dall'elettrodomestico (fig. L).
- ◆ Togliere il coperchio (5) dal contenitore (31) (fig. M).
- ◆ Estrarre il filtro (35) dal portafiltro (36) (fig. N).
- ◆ Eliminare la polvere in eccesso battendo il filtro contro le pareti di una pattumiera.
- ◆ Pulire con delicatezza le pieghe del filtro (35) utilizzando la spazzola (14) (fig. O).

Attenzione! Per pulire il filtro non usare spazzole né aria compressa.

- ◆ Se necessario, sciacquare con acqua l'esterno del filtro. Prima di reinserirlo, lasciarlo asciugare per 24 ore.

Attenzione! Non lavare l'interno del filtro.

- ◆ Reinstallare il filtro.
- ◆ Rimontare il coperchio.
- ◆ Reinserire il contenitore nell'elettrodomestico.

Pulizia del filtro del motore (fig. L & P)

Il filtro del motore impedisce a particelle e oggetti più grandi di penetrare nel vano del motore quando si rimuove il contenitore. Il filtro è riutilizzabile e deve essere pulito regolarmente.

- ◆ Togliere il contenitore dall'elettrodomestico (fig. L).
- ◆ Estrarre il filtro (37) (fig. P).
- ◆ Spazzolare via eventuali granelli di polvere rimasti sul filtro.
- ◆ Reinstallare il filtro.
- ◆ Reinserire il contenitore nell'elettrodomestico.

Sostituzione dei filtri (fig. L - Q)

Se il filtro del contenitore è danneggiato o non funziona correttamente è necessario sostituirlo. In questo caso, è necessario sostituire anche il filtro del motore e i filtri dell'uscita. I set dei filtri di ricambio sono disponibili presso il concessionario Black & Decker (cat. n. VLF10).

Sostituzione del filtro del contenitore (fig. L - N)

- ◆ Per sostituire il filtro (35), procedere come descritto sopra.

Sostituzione del filtro del motore (fig. L & P)

- ◆ Per sostituire il filtro (37), procedere come descritto sopra.

Sostituzione dei filtri di uscita (fig. Q & R)

- ◆ Aprire il coperchio (38).
- ◆ Rimuovere i filtri usati (39).
- ◆ Installare i nuovi filtri come illustrato.
- ◆ Chiudere il coperchio.

VL2040 - Sostituzione del filtro a carboni attivi

Il filtro a carboni attivi elimina odori e fumo dall'aria in uscita dal motore. Questo filtro deve essere sostituito ogni 6 - 9 mesi e ogniqualvolta risulti usurato o danneggiato. I filtri di ricambio sono disponibili presso il concessionario Black & Decker (n. cat. VBF40).

- ◆ Per sostituire il filtro (40), procedere come descritto sopra.

Protezione dell'ambiente

Raccolta differenziata. Questo prodotto non deve essere smaltito con i normali rifiuti domestici.

Nel caso in cui si decida di sostituire l'apparecchio oppure di disfarsene in quanto non più necessario, non dovrà essere smaltito con i normali rifiuti domestici. Smaltire il prodotto tramite raccolta differenziata.



La raccolta differenziata di prodotti e imballaggi usati, consente il riciclaggio e il riutilizzo dei materiali. Riutilizzare i materiali riciclati aiuta a prevenire l'inquinamento ambientale e riduce la richiesta di materie prime.

In base alle normative locali, i servizi per la raccolta differenziata di elettrodomestici possono essere disponibili presso i punti di raccolta municipali o presso il rivenditore, al momento dell'acquisto di un nuovo prodotto.

Black & Decker offre ai suoi clienti un servizio per la raccolta differenziata e la possibilità di riciclare i prodotti Black & Decker che hanno esaurito la loro durata in servizio. Per usufruire del servizio, è sufficiente restituire il prodotto a qualsiasi tecnico autorizzato, incaricato della raccolta per conto dell'azienda.

Per individuare il tecnico autorizzato più vicino, rivolgersi alla sede Black & Decker locale, presso il recapito indicato nel presente manuale. Altrimenti un elenco completo di tutti i tecnici autorizzati Black & Decker e i dettagli completi sui contatti e i servizi post-vendita sono disponibili sul sito Internet: www.2helpU.com

Dati tecnici

	VL1620	VL1840	VL2000	VL2040
Tensione	V 230	230	230	230
Potenza assorbita	W 1.600	1.800	2.000	2.000
Lunghezza del cavo	m 6	6	6	6
Dimensione del contenitore	l 2,5	2,5	2,5	2,5
Peso	kg 6,4	6,4	6,7	6,7

Dichiarazione europea di conformità del macchinario

VL1620/VL1840/VL2000/VL2040

Black & Decker dichiara che i presenti prodotti sono conformi a:

89/336/CEE, 73/23/CEE, EN 55014, EN 61000, EN 60335, EN 61000-3-11

Kevin Hewitt

Direttore tecnico prodotti di consumo
Spennymoor, County Durham DL16 6JG,
Regno Unito
1-12-2005

N. di richiesta brevetto nel Regno Unito. 0314945.7;
0314930.9; 0317674.0; 0314932.5

N. di richiesta del modello depositato nel Regno Unito
3 013 970

N. di richiesta del modello depositato in Australia 483/04
N. di richiesta del modello depositato nella Comunità Europea
131 651

N. di richiesta del modello depositato in Cina 200430002048
N. di richiesta del modello depositato negli USA 29/199,056

Garanzia

Certa della qualità dei suoi prodotti, Black & Decker offre una garanzia eccezionale. Il presente certificato di garanzia è complementare ai diritti statutari e non li pregiudica in alcun modo. La garanzia è valida entro il territorio degli Stati membri dell'Unione Europea e dell'EFTA (European Free Trade Area).

Se un prodotto Black & Decker risulta difettoso per qualità del materiale, della costruzione o per mancata conformità entro 24 mesi dalla data di acquisto, Black & Decker garantisce la sostituzione delle parti difettose, provvede alla riparazione dei prodotti se ragionevolmente usurati oppure alla loro sostituzione, in modo da ridurre al minimo il disagio del cliente a meno che:

- ◆ Il prodotto non sia stato destinato ad usi commerciali, professionali o al noleggio;
- ◆ Il prodotto non sia stato usato in modo improprio o scorretto;
- ◆ Il prodotto non abbia subito danni causati da oggetti o sostanze estranee oppure incidenti;
- ◆ Il prodotto non abbia subito tentativi di riparazione non effettuati da tecnici autorizzati né dall'assistenza Black & Decker.

Per attivare la garanzia è necessario esibire la prova comprovante l'acquisto al venditore o al tecnico autorizzato. Per individuare il tecnico autorizzato più vicino, rivolgersi alla sede Black & Decker locale, presso il recapito indicato nel presente manuale. Altrimenti un elenco completo di tutti i tecnici autorizzati Black & Decker e i dettagli completi sui contatti e i servizi post-vendita sono disponibili su Internet presso: **www.2helpU.com**

I clienti che desiderano registrare il nuovo prodotto Black & Decker e ricevere gli aggiornamenti sui nuovi prodotti e le offerte speciali, sono invitati a visitare il sito Web (**www.blackanddecker.it**). Ulteriori informazioni sul marchio e la gamma di prodotti Black & Decker sono disponibili all'indirizzo **www.blackanddecker.it**

Gebruik volgens bestemming

Uw Black & Decker stofzuiger is bedoeld voor het opzuigen van vaste stoffen.

Dit product is uitsluitend bedoeld voor huishoudelijk gebruik.

Veiligheidsvoorschriften

- ◆ **Waarschuwing!** Bij het gebruik van elektrische apparaten dienen ter bescherming tegen brandgevaar, elektrische schok, letsel en materiële schade altijd gepaste veiligheidsmaatregelen in acht te worden genomen, waaronder de volgende veiligheidsvoorschriften.
- ◆ Lees de gehele gebruiksaanwijzing aandachtig door voordat u het apparaat gaat gebruiken.
- ◆ Het bedoelde gebruik wordt in deze handleiding beschreven. Gebruik ter voorkoming van lichamelijk letsel uitsluitend de in deze gebruiksaanwijzing aanbevolen accessoires en hulpstukken. Gebruik het apparaat uitsluitend waarvoor het bedoeld is.
- ◆ Bewaar deze instructies zorgvuldig!

Gebruik van het apparaat

- ◆ Zorg ervoor dat het apparaat uitgeschakeld is voordat u de stroom in- of uitschakelt.
- ◆ Kijk altijd goed uit wanneer u het apparaat gebruikt.
- ◆ Gebruik het apparaat niet buiten.
- ◆ Trek de stekker niet aan het elektriciteits snoer uit het stopcontact. Houd het elektriciteits snoer uit de buurt van warmtebronnen, olie en scherpe randen.
- ◆ Als het elektriciteits snoer tijdens gebruik beschadigd raakt, schakel dan onmiddellijk de stroomtoevoer naar het apparaat uit. Raak het elektriciteits snoer niet aan voordat u de stekker uit het stopcontact heeft gehaald.
- ◆ Haal altijd de stekker van het apparaat uit het stopcontact wanneer u het niet gebruikt of voordat u onderdelen gaat verwisselen of het apparaat gaat reinigen.

Veiligheid van anderen

- ◆ Verbied kinderen en personen die niet van de inhoud van deze handleiding op de hoogte zijn het gebruik van dit apparaat.
- ◆ Houd kinderen en dieren buiten het werkgebied en laat ze dit apparaat of het elektriciteits snoer niet aanraken. Als u met het apparaat in de buurt van kinderen komt, dient er goed op hen gelet te worden.

Na gebruik

- ◆ Schakel het apparaat uit en haal de stekker uit het stopcontact voordat u het apparaat zonder toezicht achterlaat of enig onderdeel van het apparaat gaat verwisselen, reinigen of controleren.
- ◆ Indien niet in gebruik moet de machine op een droge plaats worden opgeborgen.

Kinderen mogen geen toegang hebben tot opgeborgen machines.

Inspectie en reparatie

- ◆ Controleer de machine voor gebruik op beschadigde of defecte onderdelen. Controleer op kapotte onderdelen, beschadigingen aan schakelaars en enige andere zaken die de werking nadelig kunnen beïnvloeden.
- ◆ Gebruik de machine niet als enig onderdeel beschadigd of defect is.
- ◆ Defecte onderdelen dienen door een erkend servicecentrum te worden gerepareerd of vervangen.
- ◆ Controleer voor gebruik het elektriciteits snoer op beschadiging, veroudering en slijtage.
- ◆ Gebruik het apparaat niet als het elektriciteits snoer of de stekker beschadigd of defect is.
- ◆ Als het elektriciteits snoer of de stekker beschadigd of defect is, moet het, om gevaarlijke situaties te voorkomen, door een erkende servicetechnicus vervangen worden. Snijd nooit in het elektriciteits snoer en probeer dit niet zelf te repareren.
- ◆ Probeer nooit om enig onderdeel anders dan in deze handleiding beschreven te verwijderen of te vervangen.

Elektrische veiligheid



Deze machine is dubbel geïsoleerd; een aardaansluiting is daarom niet noodzakelijk. Controleer altijd of uw netspanning overeenkomt met de waarde op het typeplaatje.

- ◆ Dit apparaat is niet bedoeld voor gebruik door jonge of lichamelijk zwakke personen zonder toezicht. Houd toezicht op kinderen om ervoor te zorgen dat zij niet met het apparaat gaan spelen.
- ◆ Indien het netsnoer is beschadigd, dient het ter voorkoming van gevaren te worden vervangen door de fabrikant of een erkend servicecentrum.

VL1840 - Spanningsvallen

Inschakelprocessen veroorzaken kortstondige spanningsvallen. Door ongunstige omstandigheden in de voeding kunnen andere apparaten worden beïnvloed. Bij kunstmatig licht zal bijvoorbeeld een tijdelijke daling in omvang te zien zijn wanneer de machine wordt ingeschakeld.

Als de impedantie van de voeding lager is dan 0,47 Ω zullen storingen nagenoeg niet voorkomen.

Aanvullende veiligheidsinstructies voor stofzuigers

- ◆ Vergewis u er voor gebruik altijd van dat het filter op de juiste manier is aangebracht.
- ◆ Draag het apparaat niet aan de containergreep.

- ◆ Gebruik het apparaat niet om vloeistoffen op te zuigen.
- ◆ Gebruik het apparaat niet om brandbare materialen op te zuigen.
- ◆ Gebruik het apparaat niet in de buurt van water. Dompel het apparaat niet in water onder.
- ◆ Zorg dat de luchtstroom van de motor niet in uw ogen en gezicht blaast.
- ◆ Houd kinderen en dieren op een veilige afstand als u het apparaat gebruikt.
- ◆ Werk altijd van onderen af omhoog wanneer u het apparaat op trappen gebruikt, en plaats het apparaat tenminste een trede onder uw werkpositie.
- ◆ Gebruik het apparaat niet zonder dat de zuigmond of een ander geschikt accessoire aan de buis is gemonteerd.
- ◆ Houd haren, kleding en handschoenen uit de buurt van bewegende delen. Grijp niet in de draaiende borstel. Houd de draaiende borstel uit de buurt van het elektriciteitsnoer.
- ◆ Gebruik geen beschadigde accessoires.
- ◆ Gebruik uitsluitend accessoires van Black & Decker.

Onderdelen

Al naar gelang de uitvoering beschikt dit apparaat over de volgende onderdelen (fig. A).

1. Aan/uit-schakelaar
2. Snelheidsregelschakelaar
3. Snoeropwindknop
4. Handgreep
5. Deksel
6. Slang
7. Luchtstroomregelschakelaar
8. Verlengbuis
9. Zuigmond
10. Wielen

Daarbij wordt dit apparaat geleverd met enkele of alle van de volgende accessoires (fig. B):

11. Spleetzuigmond
12. Borstelzuigmond
13. Parketvloerzuigmond (VL1840)
14. Schoonmaakborstel filter
15. Turboborstel (VL2040)

De parketvloerzuigmond wordt niet meegeleverd met alle modellen. Dit accessoire is verkrijgbaar bij uw Black & Decker-dealer/servicecentrum (cat. nr. VV70).

De turboborstel wordt niet meegeleverd met alle modellen. Dit accessoire is verkrijgbaar bij uw Black & Decker-dealer/servicecentrum (cat. nr. VV80).

Assemblage

Bevestigen van de slang (fig. C)

- ◆ Steek de connector van de slang (17) in de inlaat (16) van het apparaat.
- ◆ Schuif de slang verder totdat de ontgrendelingsknoppen (18) op hun plaats klikken.
- ◆ Om de slang te verwijderen, drukt u de ontgrendelingsknoppen in en trekt u de slang eruit.

Monteren van de verlengbuis (fig. D)

- ◆ Druk de vergrendelingsknop (19) in en schuif het mondstuk (20) van de slang in de buis (8) totdat hij op zijn plaats vastklikt.
- ◆ Om de buis te verwijderen, drukt u vergrendelingsknop in en trekt u de slang uit de buis.

Monteren van de zuigmond (fig. E)

De zuigmond (9) is geschikt voor stofzuigen op tapijt en harde oppervlakken (bijv. laminaat en tegels).

- ◆ Druk de vergrendelingsknop (21) in en schuif de buis (8) in de zuigmond (9) totdat hij op zijn plaats vastklikt.
- ◆ Om de zuigmond te verwijderen, drukt u vergrendelingsknop in en trekt u de buis uit de zuigmond.

VL1840 - Monteren van de parketvloerzuigmond (fig. E)

De parketvloerzuigmond (13) is geschikt voor stofzuigen op houten en gepolijste oppervlakken.

- ◆ Druk de vergrendelingsknop (21) in en schuif de buis (8) in de zuigmond totdat hij op zijn plaats vastklikt.
- ◆ Om de zuigmond te verwijderen, drukt u vergrendelingsknop in en trekt u de buis uit de zuigmond.

VL2040 - Monteren van de turboborstel (fig. E)

De turboborstel (14) is geschikt voor stofzuigen op polig tapijt. De borstel is met name geschikt voor het opzuigen van haar, draad, etc., evenals voor het opruisen van platgetrapte tapijtpolen.

- ◆ Druk de vergrendelingsknop (21) in en schuif de buis (8) in de zuigmond totdat hij op zijn plaats vastklikt.
- ◆ Om de zuigmond te verwijderen, drukt u vergrendelingsknop in en trekt u de buis uit de zuigmond.

Monteren van accessoires (fig. E & F)

De spleetzuigmond (11) is geschikt voor stofzuigen in nauwe en moeilijk bereikbare ruimtes. De borstelzuigmond (12) is geschikt voor stofzuigen van meubels, jalozieën, gordijnen, ramen en trappen. De accessoires kunnen zowel op de slang (6) als de buis (8) worden gemonteerd. Indien niet in gebruik, dan kunnen de accessoires worden opgeborgen in de accessoirehouder (22).

- ◆ Verwijder het accessoire van de houder (fig. F).
- ◆ Druk de vergrendelingsknop (19) in en schuif het accessoire op het mondstuk (20) van de slang of de buis (8) (fig. E).
- ◆ Om een accessoire te verwijderen, drukt u de vergrendelingsknop (19) in en trekt u het accessoire eraf.

Gebruik

Afrollen en opwinden van het snoer (fig. A)

De snoeropwindknop (3) kan met de hand of de voet worden bediend.

- ◆ Trek voor gebruik voldoende lengte snoer uit de achterkant van het apparaat.
- ◆ Druk na gebruik de snoeropwindknop in om het snoer op zijn plaats te bewaren. Geleid het snoer met de hand om ervoor te zorgen dat het niet terugslingt. Zorg ervoor dat de stekker op de juiste manier is aangebracht.

Instellen van de hoogte van de buis (fig. G)

De verlengbuis (8) kan in 21 stappen worden ingesteld.

- ◆ Houd de instelknop (23) ingedrukt en schuif de buis naar de gewenste lengte.
- ◆ Laat de knop los.

Instellen van de zuigmond (fig. E)

- ◆ Voor stofzuigen op tapijten, zet u de vloeroppervlak-keuzeschakelaar (24) omhoog.
- ◆ Voor stofzuigen op laminaat, tegels, etc., zet u de vloeroppervlak-keuzeschakelaar omlaag.

Aan- en uitschakelen (fig. A)

De aan/uit-schakelaar (1) kan met de hand of de voet worden bediend.

- ◆ Om het apparaat in te schakelen, drukt u de aan/uitschakelaar (1) in.
- ◆ Om het apparaat uit te schakelen, drukt u nogmaals de aan/uit-schakelaar (1) in.

Instellen van de zuigkracht (fig. A)

De snelheidsregelschakelaar maakt een nauwkeurige instelling van de zuigkracht mogelijk.

- ◆ Schuif de snelheidsregelschakelaar (2) naar de gewenste instelling.
- ◆ Voor stofzuigen op harde oppervlakken (bijv. vloeren) kiest u een hoge snelheid
- ◆ Voor stofzuigen op zachte oppervlakken (bijv. bekleding) kiest u een lage snelheid

Instellen van de luchtstroom (fig. A)

- ◆ Beweeg de luchtstroomregelschakelaar (7) om de luchtstroom naar wens in te stellen.

Stofzuigen

- ◆ Zorg er tijdens gebruik voor dat de slang niet geklemd, gedraaid of geblokkeerd raakt.
- ◆ In geval van oververhitting zal een onderbreker in werking treden en het apparaat automatisch uitschakelen.
- ◆ Indien het apparaat niet meer functioneert, trekt u de stekker uit het stopcontact en laat het apparaat 2-3 uur afkoelen.

Tips voor optimaal gebruik

- ◆ Bij het werken in besloten ruimtes verwijdert u tijdelijk de accessoirehouder van de buis om uw bewegingsvrijheid te vergroten.
- ◆ Bij het stofzuigen van trappen, begint u altijd onderaan en werkt u naar boven toe. Plaats het apparaat op de vloer en doe de treden tot halverwege de trap. Verplaats het apparaat vervolgens naar een stabiele positie die zich tenminste een trede onder uw werkpositie bevindt, en doe de bovenste helft van de trap.

VL2040 – Gebruik van de turboborstel

- ◆ Zorg ervoor dat snelheidsregelschakelaar op de hoogste instelling staat. Beweeg indien nodig de schuif bovenop de borstel om de zuigkracht te optimaliseren.
- ◆ Beweeg de borstel gelijkmatig heen en weer. Houd de borstel niet te lang op dezelfde plaats, want dit kan het oppervlak beschadigen.

Verplaatsen van het apparaat (fig. H)

Tijdens gebruik kan het apparaat worden verplaatst met behulp van de handgreep (4).

- ◆ Kantel de handgreep in positie zoals afgebeeld.

Tijdelijk parkeren van de zuigmond (fig. I)

- ◆ Gebruik de parkeerpositie (25) voor het tijdelijk parkeren van de zuigmond.

Opbergen van het apparaat (fig. J)

Waarschuwing! Schakel het apparaat uit en haal de stekker uit het stopcontact wanneer u het apparaat opbergt.

- ◆ Controleer of de stekker volledig opgerold is.
- ◆ Plaats het apparaat in rechtopstaande positie.
- ◆ Parkeer de buis door de richels op de zuigmond en de buis in de overeenkomstige sleuven op het apparaat te plaatsen zoals afgebeeld. Het vergrendelingsmechanisme (26) klikt automatisch vast.

- ◆ Berg het apparaat op een droge plaats op. Het apparaat worden verplaatst met behulp van de geïntegreerde handgreep (27).
- ◆ Om de buis voor gebruik van het apparaat te nemen, drukt u een van de vergrendelingsknoppen in en licht de buis en zuigmond uit de parkeersleuven.

Onderhoud

Uw Black & Decker-apparaat is ontworpen om gedurende langere periode te functioneren met een minimum aan onderhoud. Voortdurend tevreden gebruik is afhankelijk van correct onderhoud en regelmatig schoonmaken.

Waarschuwing! Zet vóór aanvang van onderhouds- of schoonmaakwerkzaamheden het apparaat uit en haal de stekker uit het stopcontact.

- ◆ Reinig regelmatig de ventilatieopeningen in uw apparaat met een zachte borstel of een droge doek.
- ◆ Reinig regelmatig de behuizing van de motor met een vochtige doek. Gebruik geen schuur- of oplosmiddel.

VL2040 – Reinigen van de turboborstel (fig. K)

- ◆ Verwijder alle haar en draden die zich op de borstel (28) hebben verzameld. Gebruik een schaar indien nodig.
- ◆ Verwijder het deksel (29) om vreemde voorwerpen die de luchturbine (30) blokkeren te verwijderen. Breng het deksel weer aan.

Ledigen van de container (fig. L & M)

De container (31) moet worden geleegd als de rode container vol-indicator (17) gaat branden of als de container zichtbaar vol is.

- ◆ Verwijder de container uit het apparaat door de borgclip (32) los te maken en de container aan de handgreep (33) op te lichten (fig. L).
- ◆ Trek de haak (34) iets terug om het deksel (5) van de container (31) te verwijderen (fig. M).
- ◆ Ledig de container zoals nodig.
- ◆ Reinig het filter zoals hieronder beschreven.
- ◆ Breng het deksel (5) weer aan. Let er op dat de haak (34) weer op zijn plaats klikt.
- ◆ Plaats de container weer in het apparaat tot de clip (32) vastklikt.

Reinigen

Waarschuwing! Zorg vóór aanvang van reinigings- of onderhoudswerkzaamheden dat het apparaat uitgeschakeld is en dat de stekker niet in het stopcontact zit.

- ◆ Neem het apparaat van tijd tot tijd af met een vochtige doek. Gebruik geen schuur- of oplosmiddel. Dompel het apparaat niet in water onder.

Reinigen van het containerfilter (fig. L - O)

Het containerfilter voorkomt dat stof en vuil het motorhuis binnendringt. Het filter is geschikt voor hergebruik en moet regelmatig worden gereinigd.

- ◆ Verwijder de container uit het apparaat (fig. L).
- ◆ Verwijder het deksel (5) van de container (31) (fig. M).
- ◆ Trek het filter (35) uit de filterhouder (36) (fig. N).
- ◆ Verwijder overtollig stof door het filter in een afvalbak uit te kloppen.
- ◆ Reinig voorzichtig de vouwen van de filter (35) met behulp van de borstel (14) (fig. O).

Waarschuwing! Gebruik geen borstel of perslucht om het filter te reinigen.

- ◆ Spoel de buitenkant van het filter, afhankelijk van de staat van het filter, onder lauw stromend water af. Laat het filter 24 uur drogen voordat u het weer aanbrengt.

Waarschuwing! Was de binnenkant van het filter niet.

- ◆ Vervang het filter.
- ◆ Breng het deksel weer aan.
- ◆ Plaats de container weer in het apparaat.

Reinigen van het motorfilter (fig. L & P)

Het motorfilter voorkomt dat deeltjes en grotere voorwerpen het motorhuis binnendringen als de container is verwijderd. Het filter is geschikt voor hergebruik en moet regelmatig worden gereinigd.

- ◆ Verwijder de container uit het apparaat (fig. L).
- ◆ Neem het filter (37) uit (fig. P).
- ◆ Borstel het losse stof van het filter.
- ◆ Vervang het filter.
- ◆ Plaats de container weer in het apparaat.

De filters vervangen (fig. L - Q)

Indien het containerfilter beschadigd is of niet meer naar behoren functioneert, moet het worden vervangen. Wanneer het containerfilter wordt vervangen, dienen de motorfilter en uitlaatfilters eveneens te worden vervangen. Vervangende filtersets zijn verkrijgbaar bij uw Black & Deckerdealer (cat. nr. VLF10).

Vervangen van het containerfilter (fig. L - N)

- ◆ Ga verder te werk zoals hierboven beschreven om het filter (35) te vervangen.

Vervangen van het motorfilter (fig. L & P)

- ◆ Ga verder te werk zoals hierboven beschreven om het filter (37) te vervangen.

Vervangen van de uitlaafilters (fig. Q & R)

- ◆ Open het deksel (38).
- ◆ Verwijder de oude filters (39).
- ◆ Plaats de nieuwe filters zoals afgebeeld.
- ◆ Sluit het deksel.

VL2040 – Vervangen van het koolstoffilter

Het koolstoffilter verwijdert geuren en rook uit de lucht die het motorhuis verlaat. Het filter moeten iedere zes tot negen maanden worden vervangen, alsook wanneer het versleten of beschadigd is. Vervangende filters zijn verkrijgbaar bij uw Black & Deckerdealer (cat. nr. VBF40).

- ◆ Ga verder te werk zoals hierboven beschreven om het filter (40) te vervangen.

Milieu



Gescheiden inzameling. Dit product mag niet met het gewone huishoudelijke afval worden weggegooid.

Wanneer uw oude Black & Deckerproduct aan vervanging toe is of het u niet langer van dienst kan zijn, gooi het dan niet bij het huishoudelijk afval. Zorg ervoor dat het product gescheiden kan worden ingezameld.



Door gebruikte producten en verpakkingen gescheiden in te zamelen, worden de materialen gerecycled en opnieuw gebruikt. Hergebruik van gerecyclede materialen voorkomt milieuvervuiling en vermindert de vraag naar grondstoffen.

Inzamelpunten voor gescheiden inzameling van elektrische huishoudproducten bij gemeentelijke vuilnisbergen of bij de verkoper waar u een nieuw product koopt, kunnen aan plaatselijke voorschriften gebonden zijn.

Black & Decker biedt de mogelijkheid tot inzamelen en recyclen van afgedankte Black & Decker producten. Om gebruik van deze service te maken, dient u het product aan een van onze servicecentra te sturen, die voor ons de inzameling verzorgen.

U kunt het adres van het dichtstbijzijnde servicecentrum opvragen via de adressen op de achterzijde van deze handleiding. U kunt ook een lijst van onze servicecentra en meer informatie m.b.t. onze klantenservice vinden op het volgende Internet-adres: **www.2helpU.com**

Technische gegevens

	VL1620	VL1840	VL2000	VL2040
Spanning	V 230	230	230	230
Opgenomen vermogen	W 1.600	1.800	2.000	2.000
Lengte elektriciteits snoer	m 6	6	6	6
Inhoud container	l 2,5	2,5	2,5	2,5
Gewicht	kg 6,4	6,4	6,7	6,7

EG-conformiteitsverklaring

VL1620/VL1840/VL2000/VL2040

Black & Decker verklaart dat deze producten in

overeenstemming zijn met:

89/336/EEG, 73/23/EEG, EN 55014, EN 61000, EN 60335, EN 61000-3-11

Kevin Hewitt

Director of Consumer Engineering
Spennymoor, County Durham DL16 6JG,
Verenigd Koninkrijk
1-12-2005

Patentnr's voor GB: 0314945.7; 0314930.9; 0317674.0;
0314932.5

Ontwerpnr voor GB: 3 013 970

Ontwerpnr voor Australië: 483/04

Ontwerpnr voor Europese Gemeenschap: 131 651

Ontwerpnr voor China: 200430002048

Ontwerpnr voor VS: 29/199,056

Garantie

Black & Decker heeft vertrouwen in zijn producten en biedt een uitstekende garantie. Deze garantiebepalingen vormen een aanvulling op uw wettelijke rechten en beperken deze niet. De garantie geldt in de lidstaten van de Europese Unie en de Europese Vrijhandelsassociatie.

Mocht uw Black & Decker product binnen 24 maanden na datum van aankoop defect raken tengevolge van materiaal- of constructiefouten, dan garanderen wij de kosteloze vervanging van defecte onderdelen, de reparatie van het product of de vervanging van het product, tenzij:

- ◆ Het product is gebruikt voor handelsdoeleinden, professionele toepassingen of verhuurdoeleinden;
- ◆ Het product onoordeelkundig is gebruikt;
- ◆ Het product is beschadigd door invloeden van buitenaf of door een ongeval;
- ◆ Reparaties zijn uitgevoerd door anderen dan onze servicecentra of Black & Decker personeel.

Om een beroep op de garantie te doen, dient u een aankoopbewijs te overhandigen aan de verkoper of een van onze servicecentra. U kunt het adres van het dichtstbijzijnde servicecentrum opvragen via de adressen op de achterzijde van deze handleiding. U kunt ook een lijst van onze servicecentra en meer informatie m.b.t. onze klantenservice vinden op het volgende Internet-adres: **www.2helpU.com**

Meld u aan op onze website **www.blackanddecker.nl** om te worden geïnformeerd over nieuwe producten en speciale aanbiedingen. Verdere informatie over het merk Black & Decker en onze producten vindt u op **www.blackanddecker.nl**

Finalidad

El aspirador Black & Decker ha sido diseñado para aspirar sustancias secas.

Este producto está pensado únicamente para consumo doméstico.

Instrucciones de seguridad

- ◆ **¡Advertencia!** Cuando use aparatos eléctricos, debe seguir siempre las precauciones de seguridad básicas, incluidas las siguientes, a fin de reducir el riesgo de incendios, electrocución, lesiones personales y daños materiales.
- ◆ Lea completamente este manual antes de utilizar el aparato.
- ◆ En este manual se explica el uso previsto para este aparato. El uso de otros accesorios o adaptadores, o la propia utilización de este aparato en cualquier forma diferente de las recomendadas en este manual de instrucciones, puede constituir un riesgo de lesiones a las personas.
- ◆ Conserve este manual a mano para consultas posteriores.

Utilización del aparato

- ◆ Asegúrese de que el aparato esté apagado antes de conectarlo o desconectarlo de la red.
- ◆ Tenga siempre cuidado cuando utilice este aparato.
- ◆ No utilice este aparato en el exterior.
- ◆ Nunca tire del cable eléctrico para desconectarlo del enchufe. Mantenga el cable eléctrico alejado del calor, el aceite y los bordes afilados.
- ◆ Si el cable eléctrico se dañara durante el uso, desconecte inmediatamente el aparato de la red. No toque el cable eléctrico antes de desconectar el aparato de la red.
- ◆ Desenchufe el aparato de la corriente si no lo está utilizando, antes de montar o desmontar piezas y antes de limpiarlo.

Seguridad de otras personas

- ◆ No deje que el aparato sea utilizado por niños o por personas que no estén familiarizadas con estas instrucciones de uso.
- ◆ No permita que niños, otras personas o animales se acerquen al área de trabajo ni toquen el aparato o el cable eléctrico. Es necesario estar muy atento cuando se utiliza el aparato cerca de niños.

Cuando acabe de utilizar el aparato

- ◆ Apague el aparato y desenchúfelo de la red si va a dejarlo desatendido y antes de cambiar, limpiar o inspeccionar alguna pieza del aparato.
- ◆ Cuando no se use, el aparato debe guardarse en un lugar seco. Los niños no deben tener acceso a los aparatos guardados.

Inspección y reparaciones

- ◆ Antes de utilizarlo, revise el aparato para ver si está dañado o tiene piezas defectuosas. Compruebe si hay alguna pieza rota, algún interruptor dañado o cualquier cosa que pudiera afectar a su funcionamiento.
- ◆ No utilice el aparato si hay alguna pieza dañada o defectuosa.
- ◆ Encargue al servicio técnico autorizado que repare o sustituya las piezas defectuosas o averiadas.
- ◆ Antes de utilizar el aparato, compruebe que el cable eléctrico no presente señales de daños, envejecimiento o desgaste.
- ◆ No utilice el aparato si el cable eléctrico o el enchufe estuvieran dañados o defectuosos.
- ◆ Si el cable eléctrico o el enchufe estuvieran estropeados o defectuosos, hay que sustituirlos en un servicio técnico autorizado con el fin de evitar cualquier peligro. No corte el cable eléctrico y no trate de repararlo usted mismo.
- ◆ No intente nunca extraer o sustituir ninguna de las piezas que no sean las especificadas en este manual.

Seguridad eléctrica



La herramienta lleva un doble aislamiento; por lo tanto no requiere una toma a tierra. Compruebe siempre que la tensión de la red corresponda con el valor indicado en la placa de datos de la herramienta.

- ◆ Este aparato no ha sido concebido para ser utilizado por jóvenes ni personas discapacitadas sin supervisión. Debe vigilarse a los niños para asegurarse de que no jueguen con el aparato.
- ◆ Si el cable eléctrico está estropeado, debe ser sustituido por el fabricante o un servicio técnico autorizado de Black & Decker con el fin de evitar accidentes.

VL1840 - Caídas de tensión

Las corrientes de irrupción provocan breves caídas de tensión. Bajo condiciones desfavorables de suministro eléctrico, otros equipos podrían verse afectados. Por ejemplo, la iluminación artificial mostrará una caída temporal de magnitud cuando la máquina se conecte.

Si la impedancia del sistema de suministro eléctrico es inferior a 0,47 Ω , es poco probable que se produzcan alteraciones.

Instrucciones de seguridad adicionales para aspiradores

- ◆ Antes de usarlo, asegúrese de que el filtro esté correctamente colocado.
- ◆ No lleve el aparato por el asa del contenedor.
- ◆ No use este aparato para recoger líquidos.
- ◆ No use este aparato para recoger materiales inflamables.

- ◆ No utilice este aparato cerca de agua. No sumerja el aparato en el agua.
- ◆ Mantenga alejada de ojos y cara la zona de aspiración del motor.
- ◆ Cuando utilice este aparato, mantenga a los niños y animales a una distancia de seguridad.
- ◆ Trabaje siempre de abajo hacia arriba cuando utilice el aparato en escaleras y mantenga el aparato al menos un escalón por debajo de su posición de trabajo.
- ◆ No utilice el aparato sin el cabezal de aspiración u otro accesorio adecuado acoplado al tubo.
- ◆ Mantenga su pelo, vestimenta y guantes alejados de las piezas móviles. No toque el cepillo giratorio. Mantenga el cepillo giratorio alejado del cable eléctrico.
- ◆ No utilice accesorios dañados.
- ◆ Utilice únicamente accesorios Black & Decker.

Características

Este aparato incluye alguna o todas las características siguientes (fig. A).

1. Conmutador ON/OFF (encendido/apagado)
2. Interruptor de control de velocidad
3. Botón recogecable
4. Mango
5. Tapa
6. Tubo flexible
7. Interruptor de control del flujo de aire
8. Tubo extensible
9. Cabezal de aspiración
10. Ruedas

Además, este aparato se suministra con alguno o todos los accesorios siguientes (fig. B):

11. Útil con hendidura
12. Cepillo
13. Cabezal para suelos de parquet (VL1840)
14. Cepillo para la limpieza del filtro
15. Cepillo turbo (VL2040)

El cabezal para suelos de parquet no está incluido con todos los modelos. Este accesorio se encuentra disponible en su distribuidor / servicio técnico de Black & Decker (nº de cat. VW70).

El cepillo turbo no está incluido con todos los modelos. Este accesorio se encuentra disponible en su distribuidor / servicio técnico de Black & Decker (nº de cat. VW80).

Montaje

Conexión del tubo flexible (fig. C)

- ◆ Inserte el conector del tubo flexible (17) en la entrada (16) del aparato.

- ◆ Deslice el tubo flexible hasta que los botones de liberación (18) encajen en su sitio con un clic.
- ◆ Para desconectar el tubo flexible, presione los botones de liberación y tire del tubo flexible hacia fuera.

Montaje del tubo extensible (fig. D)

- ◆ Presione el botón de bloqueo (19) y deslice la boquilla del tubo flexible (20) en el tubo (8) hasta que encaje en su sitio con un clic.
- ◆ Para quitar el tubo, presione el botón de bloqueo y saque el tubo flexible del tubo.

Montaje del cabezal de aspiración (fig. E)

El cabezal de aspiración (9) permite aspirar alfombras y superficies duras (p. ej. laminados y azulejos).

- ◆ Presione el botón de bloqueo (21) y deslice el tubo (8) en el cabezal (9) hasta que encaje en su sitio con un clic.
- ◆ Para quitar el cabezal, presione el botón de bloqueo y saque el tubo del cabezal.

VL1840 - Montaje del cabezal para suelos de parquet (fig. E)

El cabezal para suelos de parquet (13) permite aspirar superficies de madera y pulidas.

- ◆ Presione el botón de bloqueo (21) y deslice el tubo (8) en el cabezal hasta que encaje en su sitio con un clic.
- ◆ Para quitar el cabezal, presione el botón de bloqueo y saque el tubo del cabezal.

VL2040 - Montaje del cepillo turbo (fig. E)

El cepillo turbo (14) le permite aspirar en alfombras de pelo raso. El cepillo es especialmente útil para recoger cabellos, hilos, etc., así como para ahuecar el pelo pisoteado de la alfombra.

- ◆ Presione el botón de bloqueo (21) y deslice el tubo (8) en el cabezal hasta que encaje en su sitio con un clic.
- ◆ Para quitar el cabezal, presione el botón de bloqueo y saque el tubo del cabezal.

Montaje de accesorios (fig. E & F)

El útil con hendidura (11) permite aspirar en lugares estrechos y difíciles de alcanzar. El cepillo (12) permite aspirar muebles, persianas, cortinas, ventanas y escaleras. Los accesorios se pueden montar tanto en el tubo flexible (6) como en el tubo (8). Cuando no se usen, los accesorios pueden guardarse en el portaaccesorios (22).

- ◆ Saque el accesorio del portaaccesorios (fig. F).
- ◆ Presione el botón de bloqueo (19) y deslice el accesorio en la boquilla del tubo flexible (20) o en el tubo (8) (fig. E).
- ◆ Para quitar un accesorio, presione el botón de bloqueo (19) y extraiga el accesorio.

Uso

Desenrollado y recogida del cable (fig. A)

El botón recogecable (3) se puede accionar a mano o con el pie.

- ◆ Antes del uso, extraiga un largo de cable suficiente de la parte posterior del aparato.
- ◆ Después del uso, presione el botón recogecable para guardar el cable de nuevo en su sitio. Guíe el cable manualmente para asegurarse de que no vuelva hacia atrás. Asegúrese de que el enchufe esté colocado correctamente.

Ajuste de la longitud del tubo (fig. G)

El tubo extensible (8) se puede ajustar en 21 pasos.

- ◆ Accione el pomo de ajuste (23) y deslice el tubo a la longitud deseada.
- ◆ Suelte el pomo.

Ajuste del cabezal de aspiración (fig. E)

- ◆ Para aspirar alfombras, cambie el selector de superficie de suelo (24) a la posición superior.
- ◆ Para aspirar laminados, azulejos, etc., cambie el selector de superficie de suelo a la posición inferior.

Encendido y apagado (fig. A)

El interruptor de encendido/apagado (1) se puede accionar a mano o con el pie.

- ◆ Para encender el aparato, presione el interruptor de encendido/apagado (1).
- ◆ Para apagar el aparato, pulse de nuevo el interruptor de encendido/apagado.

Ajuste de la potencia de aspiración (fig. A)

El interruptor de control de velocidad (2) permite un ajuste preciso de la potencia de aspiración.

- ◆ Deslice el interruptor de control de velocidad (2) al ajuste deseado.
- ◆ Para aspirar superficies duras (p. ej. suelos), seleccione una velocidad alta.
- ◆ Para aspirar superficies blandas (p. ej. tapicerías), seleccione una velocidad baja.

Ajuste del flujo de aire (fig. A)

- ◆ Mueva el interruptor de control del flujo de aire (7) para ajustar el flujo de aire que desee.

Aspiración de polvo

- ◆ Cuando utilice el aparato, asegúrese de que el tubo flexible no quede atrapado, bloqueado o torcido.
- ◆ En caso de calentamiento, se accionará un disyuntor y el aparato se apagará automáticamente.

- ◆ Si el aparato deja de funcionar, desenchúfelo y deje que se enfríe unas 2-3 horas.

Consejos para un uso óptimo

- ◆ Cuando trabaje en espacios reducidos, quite temporalmente el portaaccesorios del tubo para ampliar su radio de acción.
- ◆ Cuando aspire escaleras, comience siempre por abajo y trabaje hacia arriba. Coloque el aparato en el suelo y haga las escaleras hasta la mitad. Luego coloque el aparato en una posición estable al menos un escalón por debajo de su posición de trabajo y haga la mitad superior de la escalera.

VL2040 - Uso del cepillo turbo

- ◆ Asegúrese de que el interruptor de control de velocidad esté en su ajuste máximo. Mueva la guía deslizante de la parte superior del cepillo según sea necesario para optimizar la potencia de aspiración.
- ◆ Mueva el cepillo a un ritmo constante hacia atrás y hacia delante. No mantenga el cepillo en el mismo lugar durante mucho tiempo ya que podría dañar la superficie.

Transporte del aparato (fig. H)

Durante el uso, el aparato se puede llevar utilizando el mango (4).

- ◆ Incline el mango en posición como se muestra.

Aparcamiento temporal del cabezal de aspiración (fig. I)

- ◆ Use la posición de parada (25) para aparcar temporalmente el cabezal de aspiración.

Almacenamiento del aparato (fig. J)

¡Advertencia! Apague y desenchufe el aparato para guardarlo.

- ◆ Asegúrese de que el cable esté totalmente recogido.
- ◆ Coloque el aparato en posición vertical.
- ◆ Aparque el tubo colocando los rebordes en el cabezal y el tubo en las ranuras correspondientes del aparato como se muestra. El dispositivo de bloqueo (26) se acopla automáticamente.
- ◆ Guarde el aparato en un sitio seco. El aparato se puede trasladar con el asa incorporada (27).
- ◆ Para quitar el tubo del aparato para usarlo, presione uno de los botones de bloqueo y levante el tubo y el cabezal para sacarlo de las ranuras de aparcamiento.

Mantenimiento

Su aparato Black & Decker está diseñado para que funcione durante un largo período de tiempo con un mantenimiento mínimo. El funcionamiento satisfactorio continuado depende de un cuidado apropiado y una limpieza periódica del aparato.

¡Advertencia! Antes de realizar cualquier operación de mantenimiento o limpieza en el aparato, desenchúfelo.

- ◆ Limpie periódicamente las ranuras de ventilación del aparato con un cepillo suave o un paño seco.
- ◆ Limpie periódicamente la carcasa del motor con un paño húmedo. No utilice ninguna sustancia limpiadora abrasiva o que contenga disolventes.

VL2040 - Desatascos del cepillo turbo (fig. K)

- ◆ Retire los cabellos o hilos que se encuentren en el cepillo (28). Use unas tijeras, si fuera necesario.
- ◆ Quite la tapa (29) para retirar cualquier objeto extraño que bloquee la turbina de aire (30). Vuelva a colocar la tapa.

Vaciado del contenedor (fig. L & M)

El contenedor (31) debe vaciarse cuando se enciende el indicador rojo (17) de contenedor lleno o si el contenedor está visiblemente lleno.

- ◆ Saque el contenedor del aparato soltando el clip de retención (32) del contenedor y levantando el contenedor por el asa (33) (fig. L)
- ◆ Retraiga ligeramente el gancho (34) para quitar la tapa (5) del contenedor (31) (fig. M).
- ◆ Vacíe el contenedor según sea necesario.
- ◆ Limpie el filtro como se describe a continuación.
- ◆ Vuelva a colocar la tapa (5), teniendo cuidado de que el gancho (34) encaje de nuevo en su sitio con un clic.
- ◆ Vuelva a introducir el contenedor en el aparato hasta que el clip (32) enganche.

Limpieza

¡Advertencia! Antes de realizar cualquier tipo de mantenimiento o limpieza, apague y desenchufe el aparato.

- ◆ Periódicamente limpie el aparato con un paño húmedo. No utilice ninguna sustancia limpiadora abrasiva o que contenga disolventes. No sumerja el aparato en el agua.

Limpieza del filtro del contenedor (fig. L - O)

El filtro del contenedor evita que el polvo y la suciedad entren en la carcasa del motor. El filtro es reutilizable y debe limpiarse periódicamente.

- ◆ Saque el contenedor del aparato (fig. L).
- ◆ Quite la tapa (5) del contenedor (31) (fig. M).
- ◆ Extraiga el filtro (35) del portafiltros (36) (fig. N).
- ◆ Sacuda el exceso de polvo sacudiendo el filtro en un cubo de basura.
- ◆ Limpie suavemente los pliegues del filtro (35) utilizando el cepillo (14) (fig. O).

¡Advertencia! No lo cepille ni use aire comprimido para limpiar el filtro.

- ◆ Dependiendo de su estado, enjuague el exterior del filtro con agua. Deje secar el filtro durante 24 horas antes de volver a colocarlo.

¡Advertencia! No lave el interior del filtro.

- ◆ Vuelva a colocar el filtro.
- ◆ Vuelva a colocar la tapa.
- ◆ Vuelva a introducir el contenedor en el aparato.

Limpieza del filtro del motor (fig. L & P)

El filtro del motor evita que las partículas y objetos grandes entren en la carcasa del motor cuando se quita el contenedor. El filtro es reutilizable y debe limpiarse periódicamente.

- ◆ Saque el contenedor del aparato (fig. L).
- ◆ Saque el filtro (37) (fig. P).
- ◆ Cepille el filtro para eliminar partículas de polvo sueltas.
- ◆ Vuelva a colocar el filtro.
- ◆ Vuelva a introducir el contenedor en el aparato.

Sustitución de los filtros (fig. L - Q)

Si el filtro del contenedor está dañado o no funciona adecuadamente, debe sustituirse. Cuando sustituya el filtro del contenedor, también deberá sustituir el filtro del motor y los filtros de salida. Los juegos de filtros de recambio se encuentran disponibles en su distribuidor Black & Decker (cat. nº VLF10).

Sustitución del filtro del contenedor (fig. L - N)

- ◆ Proceda como se ha descrito anteriormente para cambiar el filtro (35).

Sustitución del filtro del motor (fig. L & P)

- ◆ Proceda como se ha descrito anteriormente para cambiar el filtro (37).

Sustitución de los filtros de salida (fig. Q & R)

- ◆ Abra la tapa (38).
- ◆ Retire los filtros usados (39)
- ◆ Inserte los filtros nuevos como se muestra.
- ◆ Cierre la tapa.

VL2040 - Sustitución del filtro de carbón

El filtro de carbón elimina los olores y el humo del aire que sale de la carcasa del motor. El filtro debe cambiarse cada 6-9 meses y siempre que esté gastado o dañado. Los filtros de recambio se encuentran disponibles en su distribuidor Black & Decker (cat. nº VBF40).

- ◆ Proceda como se ha descrito anteriormente para cambiar el filtro (40).

Protección del medio ambiente



Separación de desechos. Este producto no debe desecharse con la basura doméstica normal.

Si llega el momento de reemplazar su producto Black & Decker o éste ha dejado de tener utilidad para usted, no lo deseche con la basura doméstica normal. Asegúrese de que este producto se deseche por separado.



La separación de desechos de productos usados y embalajes permite que los materiales puedan reciclarse y reutilizarse. La reutilización de materiales reciclados ayuda a evitar la contaminación medioambiental y reduce la demanda de materias primas.

La normativa local puede prever la separación de desechos de productos eléctricos de uso doméstico en centros municipales de recogida de desechos o a través del distribuidor cuando adquiere un nuevo producto.

Black & Decker proporciona facilidades para la recogida y el reciclado de los productos Black & Decker que hayan llegado al final de su vida útil. Para hacer uso de este servicio, devuelva su producto a cualquier servicio técnico autorizado, que lo recogerá en nuestro nombre.

Pueden consultar la dirección de su servicio técnico más cercano poniéndose en contacto con la oficina local de Black & Decker en la dirección que se indica en este manual. Como alternativa, puede consultar en Internet la lista de servicios técnicos autorizados e información completa de nuestros servicios de posventa y contactos en la siguiente dirección:

www.2helpU.com

Características técnicas

		VL1620	VL1840	VL2000	VL2040
Voltaje	V	230	230	230	230
Potencia absorbida	W	1.600	1.800	2.000	2.000
Longitud del cable	m	6	6	6	6
Tamaño del depósito	l	2,5	2,5	2,5	2,5
Peso	kg	6,4	6,4	6,7	6,7

Declaración de conformidad CE

VL1620/VL1840/VL2000/VL2040

Black & Decker declara que estos productos cumplen las normas siguientes:

89/336/CEE, 73/23/CEE, EN 55014, EN 61000, EN 60335, EN 61000-3-11

Kevin Hewitt
 Director de Ingeniería del Consumidor
 Spennymoor, County Durham DL16 6JG,
 Reino Unido
 1-12-2005

Números de solicitud de patente en el Reino Unido 0314945.7; 0314930.9; 0317674.0; 0314932.5

Nº de solicitud del diseño en el Reino Unido 3 013 970

Nº de solicitud del diseño en Australia 483/04

Nº de solicitud del diseño en la UE 131 651

Nº de solicitud del diseño en China 200430002048

Nº de solicitud del diseño en los EE.UU. 29/199,056

Garantía

Black & Decker confía plenamente en la calidad de sus productos y ofrece una garantía extraordinaria. Esta declaración de garantía es una añadida, y en ningún caso un perjuicio para sus derechos estatutarios. La garantía es válida dentro de los territorios de los Estados Miembros de la Unión Europea y de los de la Zona Europea de Libre Comercio.

Si un producto Black & Decker resultará defectuoso debido a materiales o mano de obra defectuosos o a la falta de conformidad, Black & Decker garantiza, dentro de los 24 meses de la fecha de compra, la sustitución de las piezas defectuosas, la reparación de los productos sujetos a un desgaste y rotura razonables o la sustitución de tales productos para garantizar al cliente el mínimo de inconvenientes, a menos que:

- ◆ El producto haya sido utilizado con propósitos comerciales, profesionales o de alquiler;
- ◆ El producto haya sido sometido a un uso inadecuado o negligente;
- ◆ El producto haya sufrido daños causados por objetos o sustancias extrañas o accidentes;
- ◆ Se hayan realizado reparaciones por parte de personas que no sean los servicios de reparación autorizados o personal de servicios de Black & Decker;

Para reclamar en garantía, será necesario que presente la prueba de compra al vendedor o al servicio técnico de reparaciones autorizado. Pueden consultar la dirección de su servicio técnico más cercano poniéndose en contacto con la oficina local de Black & Decker en la dirección que se indica en este manual. Como alternativa, se puede consultar en Internet, en la dirección siguiente, la lista de servicios técnicos autorizados e información completa de nuestros servicios de postventa y contactos: **www.2helpU.com**

Visite nuestro sitio web **www.blackanddecker.com** para registrar su nuevo producto Black & Decker y mantenerse al día sobre nuestros productos y ofertas especiales. Encontrará información adicional sobre la marca Black & Decker y nuestra gama de productos en **www.blackanddecker.com**

Utilização

O seu aspirador Black & Decker foi concebido para aspirar substâncias secas.

Este produto destina-se exclusivamente ao uso doméstico.

Instruções de segurança

- ◆ **Advertência!** Ao utilizar aparelhos eléctricos, é preciso seguir sempre as precauções básicas para a segurança, incluindo as detalhadas a seguir, para diminuir os riscos de incêndio, choque eléctrico, ferimentos pessoais e danos materiais.
- ◆ Leia atentamente este manual antes de utilizar o aparelho.
- ◆ Neste manual indicam-se as utilizações previstas para o aparelho. O uso de qualquer acessório, extensão ou do próprio aparelho em situações diferentes das recomendadas neste manual de instruções pode dar origem a riscos de ferimentos pessoais.
- ◆ Guarde este manual para futura consulta.

Utilização do aparelho

- ◆ Assegure-se de que o aparelho está desligado antes de o ligar ou desligar da fonte de alimentação.
- ◆ Utilize-o sempre com cautela.
- ◆ Não utilize o aparelho em ambientes externos.
- ◆ Nunca puxe o cabo de alimentação para desligá-lo da tomada. Mantenha o cabo de alimentação afastado de calor, de óleo e de arestas afiadas.
- ◆ Se o cabo de alimentação ficar danificado durante a utilização, desligue imediatamente o aparelho da fonte de alimentação. Não toque no cabo de alimentação antes de desligá-lo da fonte de alimentação.
- ◆ Desligue o aparelho da fonte de alimentação quando não estiver a ser utilizado, antes de colocar ou remover acessórios e antes de o limpar.

Segurança de outras pessoas

- ◆ Não permita que crianças ou qualquer pessoa que não esteja familiarizada com estas instruções utilizem o aparelho.
- ◆ Não permita que crianças ou animais cheguem perto da área de trabalho ou toquem no aparelho ou no cabo de alimentação. A supervisão deve ser cautelosa quando o aparelho estiver a ser utilizado perto de crianças.

Após a utilização

- ◆ Desligue o aparelho e retire a ficha da tomada quando for deixá-lo sozinho e antes de trocar, limpar ou inspeccionar qualquer peça.
- ◆ Sempre que não estiver a ser utilizado, o aparelho deve ser guardado num local seco. Mantenha o aparelho fora do alcance das crianças.

Inspeção e reparação

- ◆ Antes de utilizar o aparelho, verifique a existência de danos ou defeitos nas peças. Verifique se existem peças partidas, interruptores danificados ou quaisquer outros problemas que possam afectar o funcionamento do aparelho.
- ◆ Não utilize o aparelho se houver alguma peça defeituosa ou danificada.
- ◆ Qualquer peça defeituosa ou danificada deverá ser reparada ou substituída por um técnico autorizado.
- ◆ Antes de iniciar a utilização, verifique se o cabo de alimentação apresenta sinais de danos, envelhecimento e desgaste.
- ◆ Não utilize o aparelho se o cabo de alimentação ou a tomada estiverem defeituosos ou danificados.
- ◆ Para evitar situações de risco, o cabo de alimentação ou a tomada danificada deverão ser reparados por um técnico autorizado. Não corte o cabo de alimentação e não tente repará-lo por conta própria.
- ◆ Nunca tente remover nem trocar peças por outras que não as especificadas neste manual.

Segurança eléctrica



Esta ferramenta está duplamente vedada; assim não é necessário fio de terra. Certifique-se sempre de que o fornecimento de energia corresponde à voltagem indicada na placa de especificações.

- ◆ Este aparelho não se destina a ser utilizado por jovens nem por pessoas enfermas sem supervisão. As crianças deverão ser vigiadas para que não mexam no aparelho.
- ◆ Se o cabo de alimentação estiver danificado, deverá ser substituído pelo fabricante ou por um Centro de Assistência autorizado pela Black & Decker, de modo a evitar perigos.

VL1840 - Quedas de tensão

A afluência súbita de corrente provoca quedas de tensão de curta duração. Em condições de fornecimento de energia não favorável, existem outros equipamentos que poderão ser afectados. Por exemplo, a iluminação artificial terá uma queda temporária de intensidade quando a máquina é ligada.

Se a impedância do sistema do fornecimento de energia for inferior a 0,47 Ω , não é provável que ocorram perturbações.

Instruções de segurança adicionais para aspiradores

- ◆ Antes de utilizar, certifique-se de que o filtro está correctamente colocado.
- ◆ Não transporte o aparelho pela pega do recipiente.
- ◆ Não utilize o aparelho para a recolha de líquidos.
- ◆ Não utilize o aparelho para recolha de materiais inflamáveis.

- ◆ Não utilize o aparelho próximo de água. Não permita que o aparelho seja imerso em água.
- ◆ Mantenha os olhos e o rosto afastados do ar que sai do motor.
- ◆ Mantenha as crianças e os animais a uma distância segura quando estiver a utilizar o aparelho.
- ◆ Quando utilizar o aparelho em escadas, trabalhe sempre de baixo para cima e mantenha o aparelho, pelo menos, um degrau abaixo da sua posição de trabalho.
- ◆ Não utilize o aparelho sem a cabeça de sucção ou sem outro acessório adequado montado no tubo.
- ◆ Mantenha o cabelo, roupa e luvas afastadas de peças em movimento. Não toque na escova em rotação. Mantenha a escova em rotação afastada do cabo de alimentação.
- ◆ Não utilize acessórios danificados.
- ◆ Utilize apenas acessórios Black & Decker.

Características

Este aparelho inclui algumas ou todas as seguintes funções (fig. A).

1. Interruptor de ligar/desligar
2. Interruptor de controlo de velocidade
3. Botão de enrolamento do cabo
4. Pega
5. Tampa
6. Mangueira
7. Interruptor de controlo do fluxo do ar
8. Tubo de extensão
9. Cabeça de sucção
10. Rodas

Para além disso, o aparelho é fornecido com alguns ou todos os seguintes acessórios (fig. B):

11. Bico estreito
12. Escova
13. Cabeça para parquet (VL1840)
14. Escova de limpeza de filtro
15. Escova turbo (VL2040)

A cabeça de limpeza de parquet não está incluída em todos os modelos. Este acessório encontra-se disponível através de seu revendedor/centro de assistência da Black & Decker (ref. VW70).

A escova turbo não está incluída em todos os modelos. Este acessório encontra-se disponível através de seu revendedor/centro de assistência da Black & Decker (ref. VW80).

Montagem

Ligação da mangueira (fig. C)

- ◆ Introduza o conector da mangueira (17) na entrada de ar (16) do aparelho.

- ◆ Faça deslizar a mangueira até que os botões de libertação (18) se encaixem na devida posição.
- ◆ Para desligar a mangueira, pressione os botões de libertação e puxe a mangueira.

Montagem do tubo de extensão (fig. D)

- ◆ Prima o botão de bloqueio (19) e faça deslizar o bocal da mangueira (20) no tubo (8) até que se encaixe no devido local.
- ◆ Para remover o tubo, prima o botão de bloqueio e puxe a mangueira para fora.

Montagem da cabeça de sucção (fig. E)

A cabeça de sucção (9) permite aspirar carpetes e superfícies rígidas (p. ex.: laminados e azulejos).

- ◆ Prima o botão de bloqueio (21) e faça deslizar o bocal do tubo (8) no tubo (9) até que se encaixe no devido local.
- ◆ Para remover a cabeça, prima o botão de bloqueio e puxe o tubo para fora.

VL1840 - Montagem da cabeça de limpeza de parquet (fig. E)

A cabeça de limpeza de parquet (13) permite aspirar superfícies em madeira e enceradas.

- ◆ Prima o botão de bloqueio (21) e faça deslizar o bocal do tubo (8) na cabeça até que se encaixe no devido local.
- ◆ Para remover a cabeça, prima o botão de bloqueio e puxe o tubo para fora.

VL2040 - Montagem da escova turbo (fig. E)

A escova turbo (14) permite aspirar tapetes aveludados. Esta escova é particularmente útil para aspirar cabelos, linhas, etc. assim como para renovar carpetes bastante pisadas.

- ◆ Prima o botão de bloqueio (21) e faça deslizar o bocal do tubo (8) na cabeça até que se encaixe no devido local.
- ◆ Para remover a cabeça, prima o botão de bloqueio e puxe o tubo para fora.

Montagem de acessórios (fig. E & F)

O bico estreito (11) permite aspirar em locais estreitos e difíceis de alcançar. A escova (12) permite aspirar mobiliário, estores, cortinas, janelas e escadas. Os acessórios podem ser montados na mangueira (6) e no tubo (8). Quando não estiverem em utilização, os acessórios podem ser armazenados no suporte de acessórios (22).

- ◆ Retire o acessório do suporte (fig. F).
- ◆ Prima o botão de bloqueio (19) e faça deslizar o acessório no bocal da mangueira (20) ou no tubo (8) (fig. E).
- ◆ Para remover um acessório, prima o botão de bloqueio (19) e puxe o acessório para fora.

Utilização

Desenrolar e enrolar o cabo (fig. A)

O botão de enrolamento do cabo (3) pode ser accionado com o pé ou com as mãos.

- ◆ Antes de utilizar, puxe uma quantidade de cabo suficiente a partir da parte posterior do aparelho.
- ◆ Depois de utilizar, prima o botão de enrolamento do cabo para armazená-lo novamente. Guie manualmente o fio para assegurar que não existem oscilações. Certifique-se de que a tomada está colocada correctamente.

Ajuste do comprimento do tubo (fig. G)

O tubo de extensão (8) pode ser ajustado em 21 posições.

- ◆ Utilize o botão de ajuste (23) e faça deslizar o tubo até obter a altura desejada.
- ◆ Solte o botão.

Ajuste da cabeça de sucção (fig. E)

- ◆ Para aspirar carpetes, coloque o selector de superfícies (24) na posição para cima.
- ◆ Para aspirar laminados, azulejos, etc., coloque o selector de superfícies na posição para baixo.

Como ligar e desligar a ferramenta (fig. A)

O interruptor de ligar/desligar (1) pode ser accionado com o pé ou com as mãos.

- ◆ Para ligar o aparelho, prima o interruptor de ligar/desligar (1).
- ◆ Para desligar o aparelho, prima novamente o interruptor de ligar/desligar.

Definição da força de sucção (fig. A)

O interruptor de controlo de velocidade (2) permite uma definição precisa da força de sucção.

- ◆ Ajuste o interruptor de controlo de velocidade (2) para a velocidade desejada.
- ◆ Para aspirar superfícies rígidas (p. ex.: soalhos), escolha uma definição de alta velocidade.
- ◆ Para aspirar superfícies suaves (p. ex.: estofos), escolha uma definição de baixa velocidade.

Ajuste do fluxo de ar (fig. A)

- ◆ Movimento o interruptor de controlo do fluxo do ar (7) para ajustar o fluxo de ar, tal como desejado.

Aspirar

- ◆ Quando utilizar o aparelho, certifique-se de que a mangueira não está presa, torcida ou bloqueada.
- ◆ Em caso de sobreaquecimento, regista-se um corte de energia e o aparelho pára automaticamente.
- ◆ Se o aparelho deixar de funcionar, desligue o aparelho e deixe arrefecer durante 2 a 3 horas.

Sugestões para uma melhor utilização

- ◆ Quando trabalhar em espaços fechados, remova temporariamente o suporte de acessórios do tubo para melhorar o seu âmbito de trabalho.
- ◆ Quando aspirar escadas, comece sempre o trabalho de baixo para cima. Posicione o aparelho no chão e aspire as escadas até meio. Em seguida, transporte o aparelho para uma posição estável, que seja, no mínimo, um degrau abaixo da sua posição de trabalho e aspire a metade superior das escadas.

VL2040 - Utilização da escova turbo

- ◆ Certifique-se de que o interruptor de controlo de velocidade se encontra na definição mais alta. Desloque a correção que se encontra no topo da escova conforme necessário para otimizar a força de sucção.
- ◆ Desloque a escova firmemente para trás e para a frente. Não mantenha a escova no mesmo local durante um longo período de tempo uma vez que poderá danificar a superfície.

Transporte do aparelho (fig. H)

Durante a utilização, transporte o aparelho pela pega (4).

- ◆ Incline a pega para a posição ilustrada.

Arrume temporariamente a cabeça de sucção (fig. I)

- ◆ Utilize a posição de estacionamento (25) para a arrumação temporária da cabeça de sucção.

Armazenamento do aparelho (fig. J)

Advertência! Quando armazenar o aparelho, desligue-o no interruptor e na tomada.

- ◆ Certifique-se de que o cabo está completamente enrolado.
- ◆ Coloque o aparelho na posição vertical.
- ◆ Arrume o tubo, colocando as cunhas na cabeça e o tubo nas ranhuras correspondentes no aparelho, tal como apresentado. O dispositivo de bloqueio (26) encaixa-se automaticamente.
- ◆ Guarde o aparelho num local seco. O aparelho pode ser transportado pela pega integrada (27).
- ◆ Para retirar o tubo do aparelho para utilização, prima um dos botões de bloqueio e levante o tubo e retire das ranhuras de arrumação.

Manutenção

Este aparelho Black & Decker foi desenvolvido para funcionar por um longo período, com um mínimo de manutenção.

O funcionamento contínuo e satisfatório depende da limpeza regular e cuidado adequado do aparelho.

Advertência! Antes de executar quaisquer tarefas de manutenção ou limpeza no aparelho, desligue-o da tomada.

- ◆ Limpe regularmente as fendas de ventilação do aparelho utilizando uma escova suave ou um pano seco.
- ◆ Limpe regularmente o compartimento do motor utilizando um pano húmido. Não utilize nenhum detergente abrasivo nem à base de solvente.

VL2040 - Limpeza da escova turbo (fig. K)

- ◆ Retire cabelos ou linhas que se tenham acumulado na escova (28). Se necessário, utilize uma tesoura.
- ◆ Retire a tampa (29) para retirar quaisquer objectos estranhos que estejam a bloquear a turbina de ar (30). Volte a colocar a tampa.

Esvaziamento do recipiente (fig. L & M)

O recipiente (31) deve ser esvaziado quando o indicador vermelho de recipiente cheio (17) se acender ou se o recipiente estiver visivelmente cheio.

- ◆ Remova o recipiente do aparelho soltando o fixador (32) e levantando o recipiente pela pega (33) (fig. L).
- ◆ Retraia ligeiramente o gancho (34) para remover a tampa (5) do recipiente (31) (fig. M).
- ◆ Esvazie o recipiente conforme necessário.
- ◆ Limpe o filtro, tal como descrito em seguida.
- ◆ Volte a colocar a tampa (5), tendo atenção para que o gancho (34) fique bem fechado.
- ◆ Volte a colocar o recipiente no aparelho até que o fixador (32) encaixe.

Limpeza

Advertência! Antes de iniciar qualquer procedimento de limpeza ou manutenção, desligue o aparelho no interruptor e na tomada.

- ◆ Ocasionalmente, limpe o aparelho com um pano húmido. Não utilize nenhum detergente abrasivo nem à base de solvente. Não permita que o aparelho seja imerso em água.

Limpeza do filtro do recipiente (fig. L - O)

O filtro do recipiente evita que o pó e a sujidade entrem no compartimento do motor. Os filtros são reutilizáveis e devem ser limpos regularmente.

- ◆ Remova o recipiente do aparelho (fig. L).
- ◆ Remova a tampa (5) do recipiente (31) (fig. M).
- ◆ Retire o filtro (35) do suporte do filtro (36) (fig. N).
- ◆ Retire o excesso de pó batendo no filtro dentro de um balde do lixo.
- ◆ Limpe suavemente as dobras no filtro (35) usando a escova (14) (fig. O).

Advertência! Não escove ou utilize ar comprimido para limpar o filtro.

- ◆ Dependendo do seu estado, passe o filtro por água. Deixe secar o filtro durante 24 horas antes de o voltar a colocar.

Advertência! Não lave o interior do filtro.

- ◆ Volte a colocar o filtro.
- ◆ Volte a colocar a tampa.
- ◆ Volte a inserir o recipiente no aparelho.

Limpeza do filtro do motor (fig. L & P)

O filtro do motor evita que partículas e grandes objectos entrem no compartimento do motor quando o recipiente é removido.

O filtro é reutilizável e deve ser limpo regularmente.

- ◆ Remova o recipiente do aparelho (fig. L).
- ◆ Retire o filtro (37) (fig. P).
- ◆ Retire o pó solto do filtro com uma escova.
- ◆ Volte a colocar o filtro.
- ◆ Volte a inserir o recipiente no aparelho.

Substituição dos filtros (fig. L - Q)

Caso o filtro do recipiente esteja danificado ou deixe de funcionar correctamente, este deve ser substituído.

Aquando da substituição do filtro do recipiente, o filtro do motor e os filtros de saída também têm de ser substituídos. Poderá obter filtros para substituição através de seu revendedor Black & Decker (cat. nº VLF10).

Substituição do filtro do recipiente (fig. L - N)

- ◆ Proceda com descrito anteriormente para a substituição do filtro (35).

Substituição do filtro do motor (fig. L & P)

- ◆ Proceda com descrito anteriormente para a substituição do filtro (37).

Substituição dos filtros de saída (fig. Q & R)

- ◆ Abra a tampa (38).
- ◆ Retire os filtros antigos (39).
- ◆ Introduza os novos filtros tal como apresentado.
- ◆ Feche a tampa.

VL2040 - Substituição do filtro de carvão activado

O filtro de carvão activado elimina odores e fumo do ar que sai do compartimento do motor. Substitua o filtro em intervalos de 6 a 9 meses e sempre que estiver desgastado ou danificado. Poderá obter filtros para substituição através de seu revendedor Black & Decker (cat. nº VBF40).

- ◆ Proceda com descrito anteriormente para a substituição do filtro (40).

Protecção do meio ambiente



Recolha em separado. Não deve deitar este produto fora juntamente com o lixo doméstico normal.

Caso chegue o momento em que um dos seus produtos Black & Decker precise de ser substituído ou decida desfazer-se do mesmo, não o deite fora juntamente com o lixo doméstico. Torne este produto disponível para uma recolha em separado.



A recolha em separado de produtos e embalagens utilizados permite que os materiais sejam reciclados e reutilizados. A reutilização de materiais reciclados ajuda a evitar a poluição ambiental e a reduzir a procura de matérias-primas.

Os regulamentos locais poderão providenciar a recolha em separado de produtos eléctricos junto das casas, em lixeiras municipais ou junto dos fornecedores ao adquirir um novo produto.

A Black & Decker oferece um serviço de recolha e reciclagem de produtos Black & Decker que tenha atingido o fim das suas vidas úteis. Para tirar proveito deste serviço, devolva seu produto a qualquer agente de reparação autorizado, que se encarregará de recolher o equipamento em nosso nome.

Para verificar a localização do agente de reparação mais próximo de si, contacte o escritório local da Black & Decker no endereço indicado neste manual. Se preferir, consulte a lista de agentes autorizados da Black & Decker e os dados completos dos nossos serviços de atendimento pós-venda na Internet no endereço: www.2helpU.com

Dados técnicos

	VL1620	VL1840	VL2000	VL2040
Voltagem	V 230	230	230	230
Potência	W 1.600	1.800	2.000	2.000
Comprimento do cabo	m 6	6	6	6
Tamanho do recipiente	l 2,5	2,5	2,5	2,5
Peso	kg 6,4	6,4	6,7	6,7

Declaração de conformidade CE

VL1620/VL1840/VL2000/VL2040

A Black & Decker declara que estes produtos estão em conformidade com a:

89/336/CEE, 73/23/CEE, EN 55014, EN 61000, EN 60335, EN 61000-3-11

Kevin Hewitt

Director de Engenharia do Consumo
Spennymoor, County Durham DL16 6JG,

Reino Unido

1-12-2005

Números de aplicação da patente do Reino Unido 0314945.7;
0314930.9; 0317674.0; 0314932.5

Número de aplicação do desenho do Reino Unido 3 013 970

Número de aplicação do desenho da Austrália 483/04

Número de aplicação do desenho da União Europeia 131 651

Número de aplicação do desenho Chinês 200430002048

Número de aplicação do desenho dos Estados Unidos
29/199,056

Garantia

A Black & Decker confia na qualidade de seus produtos e oferece um programa de garantia excelente. Esta declaração de garantia soma-se aos seus direitos legais e não os prejudica em nenhum aspecto. A garantia será válida nos territórios dos Estados Membros da União Europeia e na Área de Livre Comércio da Europa.

Caso algum produto da Black & Decker apresente avarias devido a defeitos de material, mão-de-obra ou ausência de conformidade no prazo de 24 meses a partir da data de compra, a Black & Decker garantirá a substituição das peças defeituosas, a reparação dos produtos que foram submetidos a uso adequado e remoção ou substituição dos mesmos para assegurar o mínimo de inconvenientes ao cliente a menos que:

- ◆ O produto tenha sido utilizado para fins comerciais, profissionais ou aluguer;
- ◆ O produto tenha sido submetido a uso incorrecto ou descuido;
- ◆ O produto tenha sofrido danos causados por objectos estranhos, substâncias ou acidentes;
- ◆ Tenha um histórico de reparações efectuadas por terceiros que não sejam os agentes autorizados ou profissionais de manutenção da Black & Decker.

Para activar a garantia, será necessário enviar a prova de compra ao revendedor ou agente de reparação autorizado. Para verificar a localização do agente de reparação mais próximo de si contacte o escritório local da Black & Decker no endereço indicado neste manual. Se preferir, consulte a lista de agentes autorizados da Black & Decker e os dados completos de nossos serviços de atendimento pós-venda na Internet no endereço: **www.2helpU.com**

Visite o nosso website **www.blackanddecker.com** para registar o seu novo produto Black & Decker e para se manter actualizado sobre novos produtos e ofertas especiais. Estão disponíveis mais informações sobre a Black & Decker e sobre a nossa gama de produtos em **www.blackanddecker.com**

Användningsområde

Denna Black & Decker-dammsugare är avsedd till att suga upp torrt material.

Produkten är endast avsedd för hemmabruk.

Säkerhetsanvisningar

- ◆ **Varning!** När man använder elektriska apparater är det viktigt att bl.a. följa nedanstående säkerhetsanvisningar för att minska risken för brand, elektriska stötar, personskador och materialskador.
- ◆ Läs bruksanvisningen noggrant innan du använder apparaten.
- ◆ Apparaten är avsedd för den användning som beskrivs i denna bruksanvisning. Använd endast apparaten på de sätt och med de tillbehör och tillsatser som rekommenderas i bruksanvisningen. Annan användning kan medföra risk för personskador.
- ◆ Spara bruksanvisningen för framtida bruk.

Användning av apparaten

- ◆ Se till att apparaten är avstängd innan du ansluter eller bryter anslutningen till elnätet.
- ◆ Var alltid försiktig när du använder apparaten.
- ◆ Använd inte apparaten utomhus.
- ◆ Drag aldrig i sladden för att dra ur stickkontakten ur vägguttaget. Utsätt inte sladden för värmekällor, olja eller skarpa kanter.
- ◆ Stäng genast av apparaten och dra ut kontakten om sladden skadats vid användning. Vidrör inte sladden förrän stickkontakten är utdragen ur vägguttaget.
- ◆ Dra ur kontakten när apparaten inte används, vid byte av någon del av apparaten eller tillbehör samt vid rengöring.

Andra personers säkerhet

- ◆ Låt aldrig barn, eller personer som inte har läst denna bruksanvisning använda apparaten.
- ◆ Låt inte barn eller djur komma i närheten av arbetsområdet eller röra vid apparaten eller sladden. Var mycket uppmärksam när apparaten används nära barn.

Efter användning

- ◆ Stäng av apparaten och dra ur kontakten ur vägguttaget innan du lämnar apparaten utan tillsyn och innan du byter, rengör eller inspekterar någon del av apparaten.
- ◆ När apparaten inte används skall den förvaras i ett torrt utrymme. Se till att barn inte kan få tag på apparaten.

Kontroll och reparation

- ◆ Kontrollera om apparaten är skadad eller defekt, innan den används. Kontrollera att inga delar är trasiga, att strömbrytaren inte är skadad eller att något annat som kan inverka på funktionen.

- ◆ Använd inte apparaten om någon del är skadad eller defekt.
- ◆ Om fel uppstår skall delarna repareras eller bytas ut av en auktoriserad Black & Decker serviceverkstad.
- ◆ Kontrollera före användning om sladden är skadad, sliten eller börjar bli gammal.
- ◆ Använd aldrig apparaten om sladden eller kontakten är skadad eller defekt.
- ◆ Om sladden är skadad måste den bytas ut av en behörig reparatör för att undvika risker. Skär/klipp ej i sladden. Försök ej heller att laga den själv.
- ◆ Försök aldrig att ta bort eller byta ut andra delar än dem som nämns i denna bruksanvisning.

Elektrisk säkerhet



Eftersom verktyget är dubbelisolerat behövs ingen jordledare. Kontrollera alltid att nätspänningen överensstämmer med värdet på märkplåten.

- ◆ Ungdomar eller personer med svag hälsa får inte använda verktyget utan tillsyn. Håll uppsyn så att inga barn leker med apparaten.
- ◆ Om nätsladden är skadad måste den bytas ut av tillverkaren eller en godkänd Black & Decker serviceverkstad för att undvika risker.

VL1840 - Spänningsfall

Rusningsström vid start kan orsaka kortvariga spänningsfall. Under ogynnsamma omständigheter i strömnätet kan annan utrustning påverkas. Elektrisk belysning kan t.ex. lysa något svagare en kort stund medan maskinen kopplas in. Om elnätets systemimpedans är lägre än 0,47 Ω , är risken för sådana störningar liten.

Tillkommande säkerhetsanvisningar för dammsugare.

- ◆ Se alltid till att filtret sitter ordentligt på plats före användning.
- ◆ Bär inte apparaten i behållarens handtag.
- ◆ Sug inte upp vätskor med apparaten.
- ◆ Sug inte upp lättantändligt material med apparaten.
- ◆ Använd inte apparaten i närheten av vatten. Sänk aldrig ned apparaten i vatten.
- ◆ Undvik att rikta motorns luftström mot ögonen eller ansiktet.
- ◆ Se till att barn och husdjur befinner sig på behörigt avstånd när du använder apparaten.
- ◆ Arbeta alltid nedifrån och upp när du använder apparaten i trappor, och ställ apparaten minst ett trappsteg lägre än där du arbetar.
- ◆ Använd inte apparaten utan att sugmunstycket eller ett annat lämpligt tillbehör sitter på röret.

- ◆ Håll hår, kläder och handskar undan från rörliga delar. Stick inte in kroppsdelar i den roterande borsten. Håll den roterande borsten undan från nätelsladden.
- ◆ Använd inte skadade tillbehör.
- ◆ Använd endast Black & Decker tillbehör.

Detaljbeskrivning

Apparaten har en del eller samtliga av nedanstående funktioner (fig. A).

1. Strömbrytare
2. Hastighetsreglage
3. Upplindningsknapp för sladden
4. Handtag
5. Hölje
6. Slang
7. Reglage för luftflödet
8. Förlängningsrör
9. Sugmunstycke
10. Hjul

Vidare levereras apparaten med vissa eller samtliga av följande tillbehör (fig. B):

11. Elementmunstycke
12. Borstmunstycke
13. Munstycke för parkettgolv (VL1840)
14. Filterrengöringsborste
15. Turboborste (VL2040)

Munstycket för parkettgolv medföljer inte alla modeller.

Detta tillbehör kan köpas hos Black & Decker återförsäljare / serviceverkstad (kat. nr. VW70).

Turboborsten medföljer inte alla modeller. Detta tillbehör kan köpas hos Black & Decker återförsäljare / serviceverkstad (kat. nr. VW80).

Montering

Montering av slangen (fig. C)

- ◆ För in slangens fattning (17) i apparatens intag (16).
- ◆ Skjut slangen vidare tills spärrknapparna (18) klickar på plats.
- ◆ Tag loss slangen genom att trycka in spärrknapparna och dra ut slangen.

Montering av förlängningsröret (fig. D)

- ◆ Tryck på spärrknappen (19) och skjut in slangens munstycke (20) i röret (8) tills det klickar på plats.
- ◆ Avlägsna röret genom att trycka på spärrknappen och dra ut slangen ur röret.

Montering av sugmunstycket (fig. E)

Med sugmunstycket (9) kan du dammsuga både mattor och hårda ytor (t.ex. laminat och kakel).

- ◆ Tryck på spärrknappen (21) och skjut in röret (8) i munstycket (9) tills det klickar på plats.
- ◆ Avlägsna munstycket genom att trycka på spärrknappen och dra ut röret ur munstycket.

VL1840 - Montering av munstycket för parkettgolv (fig. E)

Med parkettmunstycket (13) kan du dammsuga trä- och polerade ytor.

- ◆ Tryck på spärrknappen (21) och skjut in röret (8) i munstycket tills det klickar på plats.
- ◆ Avlägsna munstycket genom att trycka på spärrknappen och dra ut röret ur munstycket.

VL2040 - Montering av turboborsten (fig. E)

Turboborsten (14) kan användas vid dammsugning av lösa plyschmattor. Borsten är särskilt användbar för att ta bort hår, trådar, etc., samt för att fluffa upp nedtrampade plyschmattor.

- ◆ Tryck på spärrknappen (21) och skjut in röret (8) i munstycket tills det klickar på plats.
- ◆ Avlägsna munstycket genom att trycka på spärrknappen och dra ut röret ur munstycket.

Montering av tillbehör (fig. E & F)

Med elementmunstycket (11) kan du dammsuga på trånga och svåråtkomliga platser. Med borstmunstycket (12) kan du dammsuga möbler, persienner, gardiner, fönster och trappor. Tillbehören kan monteras både på slangen (6) och på röret (8). När de inte används kan tillbehören förvaras i hållaren (22).

- ◆ Tag ut tillbehöret ur hållaren (fig. F).
- ◆ Tryck på spärrknappen (19) och skjut tillbehöret på slangmunstycket (20) eller röret (8) (fig. E).
- ◆ Avlägsna tillbehöret genom att trycka på spärrknappen (19) och dra loss tillbehöret.

Användning

Upp- och avlindning av sladden (fig. A)

Du kan trycka på sladdens upplindningsknapp (3) med handen eller foten.

- ◆ Drag före bruk ut en tillräckligt lång del av sladden ur apparaten.
- ◆ Tryck efter bruk på upplindningsknappen så att sladden dras tillbaka på plats. Led sladden för hand så att den inte svänger tillbaka. Se till att kontakten kommer på plats ordentligt.

Inställning av rörets längd (fig. G)

Förlängningsröret (8) kan ställas in i 21 steg.

- ◆ Tryck på justeringsknappen (23) och skjut röret till önskad längd.
- ◆ Släpp knappen.

Inställning av sugmunstycket (fig. E)

- ◆ För att dammsuga mattor ställer du väljaren för golvyta (24) i läge "upp".
- ◆ För att dammsuga laminat, kakelplattor etc., sätter du väljaren i läge "ned".

Start och stopp (fig. A)

Du kan trycka på strömbrytaren (1) med handen eller foten.

- ◆ Starta apparaten genom att trycka på strömbrytaren (1).
- ◆ Stäng av apparaten genom att trycka på strömbrytaren igen.

Inställning av sugkraften (fig. A)

Med hastighetsreglaget (2) kan du ställa in sugkraften noggrant.

- ◆ Skjut hastighetsreglaget (2) till önskat läge.
- ◆ Välj en hög hastighet när du dammsuger hårda ytor (t.ex. golv).
- ◆ Välj en låg hastighet när du dammsuger mjuka ytor (t.ex. stoppade möbler).

Inställning av luftflödet (fig. A)

- ◆ Flytta flödesreglaget (7) för att ställa in önskat luftflöde.

Dammsugning

- ◆ Se medan du arbetar med apparaten till att slangen inte fastnar, vrids eller blockeras.
- ◆ Vid överhettning aktiveras en termisk brytare och apparaten stängs av automatiskt.
- ◆ Om apparaten slutar fungera ska den kopplas loss från elnätet och få svalna i 2-3 timmar.

Råd för bästa resultat

- ◆ När du arbetar på trånga platser kan du tillfälligt avlägsna tillbehörshållaren från röret för att komma åt bättre.
- ◆ Börja alltid längst ned och arbeta uppåt när du dammsuger trappor. Ställ apparaten på golvet och dammsug trappan upp till hälften. Ställ sedan apparaten på en plats där den står stadigt, minst ett trappsteg lägre än där du arbetar, och dammsug den övre hälften av trappan.

VL2040 - Användning av turboborsten

- ◆ Kontrollera att hastighetsreglaget är i läge maximal hastighet. Justera skjutreglaget på ovansidan av borsten efter behov för att justera sugkraften.
- ◆ För borsten fram och tillbaka. Låt inte borsten stå på samma ställe under en längre tid, eftersom detta kan skada ytan.

Att bära apparaten (fig. H)

Bär apparaten i handtaget (4) när du använder den.

- ◆ Fäll handtaget i läge enligt bilden.

Tillfällig parkering av sugmunstycket (fig. I)

- ◆ Använd parkeringsläget (25) för att tillfälligt parkera sugmunstycket.

Förvaring av apparaten (fig. J)

Varning! Stäng av apparaten och drag ut kontakten innan den ställs undan.

- ◆ Kontrollera att sladden är helt upplindad.
- ◆ Ställ apparaten upprätt.
- ◆ Parkera röret genom sätta kammarna på munstycket och röret i motsvarande springor på apparaten enligt bilden. Spärren (26) griper i automatiskt.
- ◆ Förvara apparaten i ett torrt utrymme. Apparaten kan bäras i det inbyggda handtaget (27).
- ◆ För att avlägsna röret från apparaten före användning trycker du på en av spärrknapparna och lyfter loss röret och munstycket från parkeringspringorna.

Underhåll

Denna Black & Decker-apparat har tillverkats för att fungera under lång tid med minimalt underhåll. Med rätt underhåll och regelbunden rengöring behåller apparaten sina prestanda.

Varning! Drag ut kontakten ur vägguttaget innan du utför någon skötsel eller rengör apparaten.

- ◆ Rengör apparatens luftintag regelbundet med en mjuk borste eller torr trasa.
- ◆ Rengör kåpan regelbundet med en fuktig trasa. Använd aldrig rengöringsmedel med lösnings- eller slipmedel.

VL2040 - Rengöring av turboborsten (fig. K)

- ◆ Ta bort hår eller trådar som samlats i borsten (28). Använd en sax om det är nödvändigt.
- ◆ Ta bort kåpan (29) för att avlägsna eventuella främmande föremål som blockerar sugfläkten (30). Sätt tillbaka kåpan.

Tömning av behållaren (fig. L & M)

Behållaren (31) måste tömmas när den röda indikatorn (17) tänds, eller när du kan se att behållaren är full.

- ◆ Tag loss behållaren från apparaten genom att lossa spärrklämman (32) och lyfta behållaren i handtaget (33) (fig. L).
- ◆ Drag kroken (34) något bakåt för att avlägsna locket (5) från behållaren (31) (fig. M).
- ◆ Töm behållaren på lämpligt sätt.
- ◆ Rengör filtret enligt nedanstående anvisningar.
- ◆ Sätt tillbaka locket (5), se till att spärrhaken (34) klickar på plats.
- ◆ Sätt tillbaka behållaren i apparaten så att klämman (32) griper.

Rengöring

Varning! Stäng av apparaten och dra ut sladden före rengöring eller underhåll.

- ◆ Torka apparaten då och då med en fuktig trasa. Använd aldrig rengöringsmedel med lösnings- eller slipmedel. Sänk aldrig ned apparaten i vatten.

Rengöring av behållarens filter (fig. L - O)

Behållarens filter hindrar damm och smuts från att tränga in i motorhuset. Filtret kan återanvändas och ska rengöras regelbundet.

- ◆ Avlägsna behållaren från apparaten (fig. L).
- ◆ Avlägsna filtret (5) från behållaren (31) (fig. M)
- ◆ Drag loss filtret (35) från filterhållaren (36) (fig. N).
- ◆ Skaka ut dammet genom att slå filtret försiktigt mot insidan av en soptunna.
- ◆ Rengör försiktigt filtrets (35) veck med borsten (14) (fig. O).

Varning! Rengör aldrig filtret med en borste eller tryckluft.

- ◆ Om filtret är mycket smutsigt kan du skölja av det på utsidan med vatten. Låt filtret torka i 24 timmar innan det sätts tillbaka.

Varning! Tvätta inte insidan av filtret.

- ◆ Sätt tillbaka filtret.
- ◆ Sätt tillbaka kåpan.
- ◆ Sätt tillbaka behållaren i apparaten.

Rengöring av motorns filter (fig. L & P)

Motorns filter hindrar dammpartiklar och större föremål från att tränga in i motorhuset när behållaren avlägsnas. Filtret kan återanvändas och ska rengöras regelbundet.

- ◆ Avlägsna behållaren från apparaten (fig. L).
- ◆ Tag ut filtret (37) (fig. P).
- ◆ Borsta bort eventuellt löst damm från filtret.
- ◆ Sätt tillbaka filtret.
- ◆ Sätt tillbaka behållaren i apparaten.

Byte av filtren (fig. L - Q)

Om behållarfiltret är skadat eller inte fungerar som det ska, måste det bytas ut. När du byter behållarens filter måste även motorns och utloppets filter bytas ut. Nya filtersatser kan köpas hos Black & Decker-återförsäljare (kat.nr. VLF10).

Byte av behållarens filter (fig. L - N)

- ◆ Följ anvisningarna ovan för byte av filtret (35).

Att sätta tillbaka motorns filter (fig. L & P)

- ◆ Följ anvisningarna ovan för byte av filtret (37).

Byte av utloppsfiltret (fig. Q & R)

- ◆ Öppna kåpan (38).

- ◆ Avlägsna de gamla filtren (39).
- ◆ Placera de nya filtren enligt bilden.
- ◆ Stäng kåpan.

VL2040 - Att byta kolfilter

Kolfiltret tar bort lukt och rök från den luft som lämnar motorhuset. Filtret ska bytas med intervall på 6 till 9 månader, eller vid behov om det är utslitet eller skadat. Nya filter kan köpas hos Black & Decker-återförsäljare (kat.nr. VBF40).

- ◆ Följ anvisningarna ovan för byte av filtret (40).

Miljöskydd



Särskild insamling. Denna produkt får inte kastas bland vanliga hushållssopor.

Om du någon gång i framtiden behöver ersätta din Black & Decker-produkt med en ny, eller inte längre behöver den, ska du inte kasta den i hushållssoporna. Denna produkt skall lämnas till särskild insamling.



Efter insamling av använda produkter och förpackningsmaterial kan materialen återvinnas och användas på nytt. Användning av återvunna material skonar miljön och minskar förbrukningen av råvaror.

Enligt lokal lagstiftning kan det förekomma särskilda insamlingar av uttjänt elutrustning från hushåll, antingen vid kommunala miljöstationer eller hos detaljhandlaren när du köper en ny produkt.

Black & Decker erbjuder en insamlings- och återvinnings tjänst för Black & Decker-produkter när de en gång har tjänat ut. För att använda den här tjänsten lämnar du in produkten till en auktoriserad B & D –reparatör/representant som tar hand om den för din räkning.

Närmaste auktoriserad Black & Decker-representant finner du genom det lokala Black & Decker-kontoret på adressen i den här manualen. Annars kan du söka på Internet, på listan över auktoriserade Black & Decker-representanter och alla uppgifter om vår kundservice och andra kontakter.

www.2helpU.com

Tekniska data

	VL1620	VL1840	VL2000	VL2040
Spänning	V 230	230	230	230
Ineffekt	W 1.600	1.800	2.000	2.000
Sladdens längd	m 6	6	6	6
Behållarens volym	l 2,5	2,5	2,5	2,5
Vikt	kg 6,4	6,4	6,7	6,7

EC-förklaring om överensstämmelse

VL1620/VL1840/VL2000/VL2040

Black & Decker förklarar att dessa produkter överensstämmer med:

89/336/EEG, 73/23/EEG, EN 55014, EN 61000, EN 60335, EN 61000-3-11



Kevin Hewitt
Director of Consumer Engineering
Spennymoor, County Durham DL16 6JG,
Storbritannien
1-12-2005

Patentdokument (Storbritannien): 0314945.7; 0314930.9;
0317674.0; 0314932.5

Tillverkningsdokument (Storbritannien): 3 013 970

Tillverkningsdokument (Australien): 483/04

Tillverkningsdokument (EU): 131 651

Tillverkningsdokument (Kina): 200430002048

Tillverkningsdokument (USA): 29/199,056

Reservdelar / reparationer

Reservdelar finns att köpa hos auktoriserade Black & Decker verkstäder, som även ger kostnadsförslag och reparerar våra produkter.

Förteckning över våra auktoriserade verkstäder finns på Internet, vår hemsida www.blackanddecker.se samt www.2helpU.com

Garanti

Black & Decker garanterar att produkten är fri från material- och/eller fabrikationsfel vid leverans till kund. Garantin är i tillägg till konsumentens lagliga rättigheter och påverkar inte dessa. Garantin gäller inom medlemsstaterna i Europeiska Unionen och i det Europeiska Frihandelsområdet.

Om en Black & Decker produkt går sönder på grund av material- och/eller fabrikationsfel eller brister i överensstämmelse med specifikationen, inom 24 månader från köpet, åtar sig Black & Decker att reparera eller byta ut produkten med minsta besvär för kunden.

Garantin gäller inte för fel som beror på:

- ◆ normalt slitage
- ◆ felaktig användning eller skötsel
- ◆ att produkten skadats av främmande föremål, ämnen eller genom olyckshändelse

Garantin gäller inte om reparation har utförts av någon annan än en auktoriserad Black & Decker verkstad.

För att utnyttja garantin skall produkten och inköpskvittot lämnas till återförsäljaren eller till en auktoriserad verkstad senast 2 månader efter det att felet har upptäckts. För information om närmaste auktoriserad verkstad; kontakta det lokala Black & Decker kontoret på den adress som är angiven i bruksanvisningen. En lista på alla auktoriserade verkstäder samt servicevillkor finns även tillgängligt på Internet, adress: www.2helpU.com

Besök vår webbplats www.blackanddecker.se för att registrera din nya Black & Decker-produkt samt för att erhålla information om nya produkter och specialerbjudanden. Vidare information om märket Black & Decker och vårt produktsortiment kan återfinnas på www.blackanddecker.se

Bruksområder

Denne støvsugeren fra Black & Decker er beregnet på støvsuging på tørt materiale.

Apparatet er kun ment for bruk i hjemmet.

Sikkerhetsinstruksjoner

- ◆ **Advarsel!** Ved bruk av elektriske apparater som er koblet til strømmettet, må du alltid følge en del grunnleggende sikkerhetsregler, deriblant følgende, for å redusere faren for brann, elektrisk støt, personskade og materialskade.
- ◆ Les hele denne bruksanvisningen nøye før du bruker apparatet.
- ◆ Bruksanvisningen beskriver hvordan apparatet skal brukes. Bruk bare tilbehør og utstyr til dette apparatet som anbefales i bruksanvisningen. Bruk av annet tilbehør eller utstyr kan medføre risiko for personskade.
- ◆ Ta vare på denne bruksanvisningen for fremtidig bruk.

Bruke apparatet

- ◆ Kontroller at apparatet er slått av før du kobler det til eller fra strømforsyningen.
- ◆ Vær alltid forsiktig når du bruker apparatet.
- ◆ Apparatet må ikke brukes utendørs.
- ◆ Ikke trekk i ledningen når du skal koble kontakten fra støpslet. Ikke utsett strømledningen for varme, olje eller skarpe kanter.
- ◆ Hvis strømkabelen er skadet ved bruk, må du koble fra strømtilførselen til apparatet umiddelbart. Ikke berør strømledningen før du har koblet fra strømtilførselen.
- ◆ Apparatet må kobles fra strømtilførselen når det ikke er i bruk, før montering eller fjerning av deler, og før rengjøring.

Andre personers sikkerhet

- ◆ La aldri barn eller personer som ikke har lest denne bruksanvisningen bruke apparatet.
- ◆ Ikke la barn eller dyr komme i nærheten av arbeidsområdet eller berøre apparatet eller strømledningen. Vær ekstra oppmerksom når apparatet brukes i nærheten av barn.

Etter bruk

- ◆ Slå av apparatet og trekk ut kontakten før du forlater det og før du skifter, rengjør eller kontrollerer noen deler av det.
- ◆ Når apparatet ikke er i bruk, må det oppbevares på et tørt sted. Apparatet skal oppbevares utilgjengelig for barn.

Kontroll og reparasjon

- ◆ Før bruk må du kontrollere apparatet for skader eller defekte deler. Kontroller også at det ikke finnes deler med brist, at bryterne ikke er skadet og eventuelle andre forhold som kan påvirke driften av apparatet.

- ◆ Bruk aldri apparatet hvis noen av delene er skadet eller defekte.
- ◆ Ved skade eller feil må delene repareres eller byttes ut av et autorisert serviceverksted.
- ◆ Før bruk må du kontrollere om strømledningen er skadet, for gammel eller slitt.
- ◆ Bruk ikke apparatet hvis strømkabelen eller støpslet er skadet eller defekt.
- ◆ Hvis strømledningen eller støpslet er skadet, må de repareres av en autorisert tekniker for å unngå enhver risiko. Ikke kutt strømledningen, og ikke forsøk å reparere den selv.
- ◆ Prøv aldri å fjerne eller bytte andre deler enn de som er angitt i denne bruksanvisningen.

Elektrisk sikkerhet



Dette apparatet er dobbeltisolert. Derfor er ikke jording nødvendig. Kontroller at nettspenningen er i overensstemmelse med spenningen på typeskiltet.

- ◆ Dette apparatet er ikke beregnet for bruk av unge eller uerfarne personer uten tilsyn. Barn må ha tilsyn for å sikre at de ikke leker med apparatet.
- ◆ Hvis strømledningen skades, må den skiftes ut av fabrikanten eller et autorisert Black & Decker servicesenter for å unngå fare.

VL1840 - Spenningsfall

Innkoblingsstrøm forårsaker kortvarige spenningsfall. Under ugunstige strømforsyningsbetingelser kan annet utstyr bli berørt. Kunstig belysning vil f.eks. bli svakere mens maskinen slås på.

Hvis strømforsyningens systemimpedans er lavere enn $0,47 \Omega$, er det usannsynlig at det vil oppstå forstyrrelser.

Ekstra sikkerhetsinstruksjoner for støvsugere

- ◆ Pass på at filteret er riktig montert før bruk.
- ◆ Ikke hold verktøyet i håndtaket til utstyrsrommet.
- ◆ Apparatet må ikke brukes til å suge opp væske.
- ◆ Apparatet må ikke brukes til å suge opp materialer som kan ta fyr.
- ◆ Apparatet må ikke brukes i nærheten av vann. Apparatet må ikke dyppes i vann.
- ◆ Unngå å få luftstrømmen fra motoren i øynene og ansiktet.
- ◆ Hold barn og dyr på trygg avstand når du bruker dette apparatet.
- ◆ Arbeid alltid nedenfra og opp når du bruker apparatet i trapper, og ha apparatet minst ett trinn under din arbeidsposisjon.
- ◆ Ikke bruk apparatet uten sugemunnstykket eller annet egnet tilbehør montert på slangen.

- ◆ Hold hår, klær og hansker unna bevegelige deler. Stikk ikke hendene inn i den roterende børsten. Hold den roterende børsten unna strømledningen.
- ◆ Bruk ikke tilbehør med skader.
- ◆ Bruk bare tilbehør fra Black & Decker.

Funksjoner

Dette apparatet har noen av eller alle følgende funksjoner (fig. A):

1. Strømbryter
2. Bryter for hastighetskontroll
3. Knapp for ledningsspole
4. Håndtak
5. Deksel
6. Slange
7. Bryter for kontroll av luftstrøm
8. Forlengelsesrør
9. Sugemunnstykke
10. Hjul

I tillegg er dette apparatet utstyrt med noe av eller alt følgende tilbehør (fig. B):

11. Radiatormunnstykke
12. Børstemunnstykke
13. Munnstykke til parkettgulv (VL1840)
14. Børste for rengjøring av filter
15. Turbobørste (VL2040)

Munnstykket for parkettgulv er ikke inkludert for alle modeller. Dette tilbehøret kan fås fra Black & Decker-forhandleren eller servicesenteret (katalognr. VV70).

Turbobørsten er ikke inkludert for alle modeller.

Dette tilbehøret kan fås fra Black & Decker-forhandleren eller servicesenteret (katalognr. VV80).

Montering

Koble til slangen (fig. C)

- ◆ Sett slangekoplingen (17) inn i inntaket (16) på støvsugeren.
- ◆ Skyv slangen inn helt til utløserknappene (18) klikker på plass.
- ◆ For å kople fra slangen trykker du på utløserknappene og trekker ut slangen.

Montering av forlengelsesrøret (fig. D)

- ◆ Trykk inn låseknappen (19), og skyv slangemunnstykket (20) inn i røret (8) til det klikker på plass.
- ◆ Hvis du skal fjerne slangen, trykker du inn låseknappen og trekker slangen ut av røret.

Montering av sugemunnstykket (fig. E)

Sugemunnstykket (9) brukes til støvsuging på tepper og harde overflater (f.eks. laminat og fliser).

- ◆ Trykk inn låseknappen (21) og skyv røret (8) inn i munnstykket (9) til det klikker på plass.
- ◆ Hvis du skal fjerne munnstykket, trykker du inn låseknappen og trekker røret ut av slangen.

VL1840 - Montering av munnstykket for parkettgulv (fig. E)

Munnstykket for parkettgulv (13) brukes til støvsuging på tregulv og polerte overflater.

- ◆ Trykk inn låseknappen (21) og skyv røret (8) inn i munnstykket til det klikker på plass.
- ◆ Hvis du skal fjerne munnstykket, trykker du inn låseknappen og trekker røret ut av slangen.

VL2040 - Montere turbobørsten (fig. E)

Med turbobørsten (14) kan du støvsuge tepper med klippede tråder. Børsten er spesielt nyttig når du skal fjerne hår, tråder osv., eller vil friske opp et nedtråkket teppe.

- ◆ Trykk inn låseknappen (21) og skyv røret (8) inn i munnstykket til det klikker på plass.
- ◆ Hvis du skal fjerne munnstykket, trykker du inn låseknappen og trekker røret ut av slangen.

Montering av tilbehør (fig. E & F)

Elementmunnstykket (11) brukes til støvsuging på smale og vanskelig tilgjengelige steder. Børstemunnstykket (12) brukes til støvsuging av møbler, persienner, gardiner, vinduer og i trapper. Tilbehøret kan monteres både på slangen (6) og på røret (8). Når tilbehøret ikke er i bruk, kan det oppbevares i tilbehørholderen (22).

- ◆ Fjern tilbehøret fra holderen (fig. F).
- ◆ Trykk inn låseknappen (19) og skyv tilbehøret inn på slangemunnstykket (20) eller røret (8) (fig. E).
- ◆ Hvis du skal fjerne tilbehør, trykker du inn låseknappen (19) og trekker tilbehøret av.

Bruk

Dra ut og spole inn ledningen (fig. A)

Knappen for ledningsspole (3) kan betjenes med en hånd eller fot.

- ◆ Før bruk trekker du ut en tilstrekkelig lengde av ledningen fra baksiden av apparatet.
- ◆ Etter bruk trykker du på spoleknappen for å spole inn ledningen igjen. Hjelp til med hånden for å unngå sleng på ledningen. Kontroller at kontakten er riktig plassert.

Justering av rørlengden (fig. G)

Forlengelsesrøret (8) kan justeres i 21 trinn.

- ◆ Trykk inn justeringsknappen (23) og skyv røret til ønsket lengde.
- ◆ Slipp knappen.

Justering av sugemunnstykket (fig. E)

- ◆ For støvsuging på tepper skyver du velgeren for gulvoverflate (24) til hevet stilling.
- ◆ For støvsuging på laminater, fliser osv., setter du velgeren for gulvoverflate i senket stilling.

Start og stopp (fig. A)

Strømbryteren (1) kan betjenes med en hånd eller fot.

- ◆ Trykk på strømbryteren (1) for å slå verktøyet på.
- ◆ Trykk på strømbryteren en gang til for å slå av apparatet.

Stille inn sugekraften (fig. A)

Med bryteren for hastighetskontroll (2) kan du stille inn nøyaktig hvilken sugekraft du ønsker.

- ◆ Skyv bryteren for hastighetskontroll (2) til ønsket innstilling.
- ◆ For støvsuging på harde overflater (f.eks. gulv), bør du velge en høy hastighetsinnstilling.
- ◆ For støvsuging på myke overflater (f.eks. gulv), bør du velge en lav hastighetsinnstilling.

Justering av luftstrømmen (fig. A)

- ◆ Flytt på bryteren for kontroll av luftstrøm (7) for å justere luftstrømmen slik du ønsker.

Støvsuging

- ◆ Når du bruker apparatet, må du passe på at slangen ikke setter seg fast, blir vridd eller blokkert.
- ◆ I tilfelle overoppheting vil det oppstå en utkopling, og apparatet stopper automatisk.
- ◆ Hvis apparatet slutter å virke, kobler du fra strømforsyningen og lar det avkjøles i 2-3 timer.

Råd for optimalt resultat

- ◆ Når du arbeider på steder med begrenset plass, kan du midlertidig fjerne tilbehørsholderen fra røret for å få bedre rekkevidde.
- ◆ Når du støvsuger i trapper, bør du alltid begynne nederst og arbeide deg oppover. Plasser apparatet på gulvet, og støvsug trappene halvveis opp. Deretter løfter du apparatet til en stabil stilling minst ett trinn under arbeidsposisjonen din, og støvsuger øvre halvdel av trappen.

VL2040 - Bruke turbobørsten

- ◆ Pass på at bryteren for hastighetskontroll er stilt inn på høyeste innstilling. Flytt skyvelåsen øverst på børsten etter behov, for å justere sugekraften optimalt.
- ◆ Beveg børsten jevnt frem og tilbake. Ikke hold børsten stille på samme sted over lengre tid, fordi det kan skade overflaten.

Løfte apparatet (fig. H)

Under bruk kan apparatet bæres i håndtaket (4).

- ◆ Vipp håndtaket i stilling som vist.

Midlertidig parkering av sugemunnstykket (fig. I)

- ◆ Bruk parkeringsstillingen (25) for en midlertidig parkering av sugemunnstykket.

Oppbevaring av apparatet (fig. J)

Advarsel! Når apparatet skal oppbevares, må du slå det av og koble det fra strømforsyningen.

- ◆ Kontroller at ledningen er spolt helt inn.
- ◆ Plasser apparatet i stående stilling.
- ◆ Parker røret ved å plassere rillene på munnstykket og røret i de tilsvarende sporene på apparatet, som vist. Låsemekanismen (26) kobles inn automatisk.
- ◆ Oppbevar apparatet på et tørt sted. Apparatet kan bæres i det innebygde håndtaket (27).
- ◆ Hvis du skal ta av røret fra apparatet for bruk, trykker du inn en av låseknappene og løfter røret og munnstykket ut av parkeringssporene.

Vedlikehold

Dette Black & Decker-apparat er konstruert for å være i drift over en lang periode med et minimum av vedlikehold.

Med riktig vedlikehold og regelmessig rengjøring opprettholder apparatet ytelsen.

Advarsel! Før du utfører vedlikehold eller rengjøring på apparatet, må du koble det fra strømforsyningen.

- ◆ Rengjør luftinntaket på apparatet regelmessig med en myk børste eller en tørr klut.
- ◆ Rengjør motorhuset regelmessig med en fuktig klut. Ikke bruk slipende eller løsemiddelbaserte rengjøringsmidler.

VL2040 - Rengjøre turbobørsten (fig. K)

- ◆ Fjern hår eller tråder som har samlet seg opp på børsten (28). Bruk om nødvendig en saks.
- ◆ Ta av dekslet (29) for å fjerne eventuelle fremmedlegemer som blokkerer luftturbinen (30). Sett tilbake dekslet.

Tømme beholderen (fig. L & M)

Beholderen (31) må tømmes når den røde indikatoren (17) lyser, eller hvis beholderen er synbart full.

- ◆ Ta av beholderen ved å utløse holdeklemmen (32) og løfte beholderen i håndtaket (33) (fig. L).
- ◆ Trekk kroken (34) litt tilbake for å ta av dekslet (5) fra beholderen (31) (fig. M).
- ◆ Tøm beholderen om nødvendig.

- ◆ Rengjør filteret som beskrevet nedenfor.
- ◆ Sett på dekslet igjen (5). Pass på at kroken (34) klikker tilbake på plass.
- ◆ Sett beholderen på apparatet igjen, og pass på at klemmen (32) festes.

Rengjøring

Advarsel! Før rengjøring og vedlikehold må du slå av apparatet og trekke ut kontakten.

- ◆ Fra tid til annen bør du tørke av apparatet med en fuktig klut. Ikke bruk slipende eller løsemiddelbaserte rengjøringsmidler. Apparatet må ikke dypes i vann.

Rengjøre beholderfilteret (fig. L - O)

Beholderfilteret forhindrer at støv og smuss kommer inn i motorhuset. Filtret kan brukes mange ganger, og må rengjøres jevnlig.

- ◆ Ta beholderen av apparatet (fig. L).
- ◆ Ta dekslet (5) av beholderen (31) (fig. M).
- ◆ Trekk filteret (35) ut av filterholderen (36) (fig. N).
- ◆ Fjern overflødig støv ved å dunke i filteret over en søppelkasse.
- ◆ Rengjør forsiktig foldene i filteret (35) ved hjelp av børsten (14) (fig. O).

Advarsel! Ikke bruk børste eller trykkluft til å rengjøre filteret.

- ◆ Skyll utsiden av filteret med vann om nødvendig. La filteret tørke i 24 timer før du setter det inn igjen.

Advarsel! Ikke vask innsiden av filteret.

- ◆ Sett tilbake filteret.
- ◆ Sett tilbake dekslet.
- ◆ Sett beholderen i apparatet igjen.

Rengjøre motorfilteret (fig. L & P)

Motorfilteret forhindrer at partikler og større gjenstander kommer inn i motorhuset når beholderen tas av. Filtret kan brukes mange ganger, og må rengjøres jevnlig.

- ◆ Ta beholderen av apparatet (fig. L).
- ◆ Ta ut filteret (37) (fig. P).
- ◆ Børst av eventuelt løst støv på filteret.
- ◆ Sett tilbake filteret.
- ◆ Sett beholderen i apparatet igjen.

Bytte filtre (fig. L - Q)

Hvis beholderfilteret er skadet eller ikke fungerer riktig, må det byttes ut. Når du bytter beholderfilter, må du samtidig bytte motorfilter og utslippsfilter. Nye filtre kan skaffes hos din Black & Decker-forhandler (kat. nr. VLF10).

Bytte beholderfilteret (fig. L - N)

- ◆ Gå frem som beskrevet ovenfor for å skifte filteret (35).

Bytte motorfilteret (fig. L & P)

- ◆ Gå frem som beskrevet ovenfor for å skifte filteret (37).

Bytte utslippsfiltrene (fig. Q & R)

- ◆ Åpne dekslet (38).
- ◆ Fjern de gamle filtrene (39).
- ◆ Sett inn de nye filtrene som vist.
- ◆ Lukk dekslet.

VL2040 - Bytte kullfilteret

Kullfilteret fjerner lukt og røyk fra luften som slippes ut av motorhuset. Filteret må skiftes etter 6 til 9 måneder, og alltid når det er slitt eller skadet. Nye filtre kan skaffes hos din Black & Decker-forhandler (kat. no. VBF40).

- ◆ Gå frem som beskrevet ovenfor for å skifte filteret (40).

Miljøvern



Kildesortering. Dette produktet må ikke kastes i det vanlige husholdningsavfallet.

Hvis du finner ut at Black & Decker-produktet ditt må skiftes ut, eller hvis du ikke lenger har bruk for det, må du unnlate å kaste det sammen med det vanlige husholdningsavfallet. Sørg for at dette produktet gjøres tilgjengelig for kildesortering.



Kildesortering av brukte produkter og emballasje gjør det mulig å resirkulere materialer og bruke dem igjen. Gjenbruk av resirkulerte materialer bidrar til å forhindre forurensning av miljøet og reduserer behovet for råmaterialer.

Lokale regelverk kan legge tilrette for kildesortering av elektriske produkter fra husholdningen, ved kommunale deponier eller gjennom forhandleren når du kjøper et nytt produkt.

Black & Decker har tilrettelagt for innsamling og resirkulering av Black & Decker-produkter etter at de har utspilt sin rolle. Ønsker du å benytte deg av denne tjenesten, returnerer du produktet ditt til et autorisert serviceverksted, som tar det imot og formidler det videre.

Du kan få adressen til ditt nærmeste autoriserte serviceverksted ved å kontakte ditt lokale Black & Decker-kontor på adressen oppgitt i denne håndboken. Du kan også finne en komplett liste over autoriserte Black & Decker-serviceverksteder og utfyllende informasjon om vår etter salg-service og kontaktnumre på Internett på følgende adresse:

www.2helpU.com

Tekniske data

	VL1620	VL1840	VL2000	VL2040
Spenning	V 230	230	230	230
Inn-effekt	W 1.600	1.800	2.000	2.000
Kabellengde	m 6	6	6	6
Beholderstørrelse	l 2,5	2,5	2,5	2,5
Vekt	kg 6,4	6,4	6,7	6,7

Samsvarserklæring for EU

VL1620/VL1840/VL2000/VL2040

Black & Decker erklærer at disse produktene overholder:
89/336/EØF, 73/23/EØF, EN 55014, EN 61000, EN 60335,
EN 61000-3-11



Kevin Hewitt
Adm. dir. for forbrukerteknikk
Spennymoor, County Durham DL16 6JG,
Storbritannia
1-12-2005

Britiske patentsøknadsnumre 0314945.7; 0314930.9;
0317674.0; 0314932.5

Britisk designsøknadsnummer 3 013 970

Australsk designsøknadsnummer 483/04

Europeisk designsøknadsnummer 131 651

Kinesisk designsøknadsnummer 200430002048

Designsøknadsnummer i USA 29/199,056

Reservdeler / reparasjoner

Reservdeler kan kjøpes hos autoriserte Black & Decker serviceverksteder, som også gir kostnadsoverslag og reparerer våre produkter.

Oversikt over våre autoriserte serviceverksteder finnes på Internet, vår hjemmeside www.blackanddecker.no samt www.2helpU.com

Garanti

Black & Decker garanterer at produktet ikke har material- og/eller fabrikkasjonsfeil ved levering til kunde. Garantien er i tillegg til kundens lovlige rettigheter og påvirker ikke disse. Garantien gjelder innen medlemsstatene i den Europeiske Unionen og i det Europeiske Frihandelsområdet.

Hvis et Black & Decker produkt går i stykker på grunn av material- og/eller fabrikkasjonsfeil eller har mangler i forhold til spesifikasjonene, innen 24 måneder fra kjøpet, påtar Black & Decker seg å reparere eller bytte ut produktet med minst mulig vanskelighet for kunden.

Garantien gjelder ikke for feil som kommer av:

- ◆ normal slittasje
- ◆ feilaktig bruk eller vedlikehold (mislighold)
- ◆ at produktet har blitt skadet av fremmede gjenstander, emner eller ved et uhell

Det gjøres oppmerksom på at produktet ikke er beregnet på industriell/profesjonell/yrkesmessig bruk, men til hus- og hjemmebruk.

Garantien gjelder ikke om reparasjoner har blitt utført av noen andre enn et autorisert Black & Decker serviceverksted.

For å ta garantien i bruk skal produktet og kjøpekvitteing leveres til forhandleren eller til et autorisert serviceverksted senest 2 måneder etter at feilen har blitt oppdaget.

For informasjon om nærmeste autoriserte serviceverksted; kontakt det lokale Black & Decker kontoret på den adressen som er angitt i bruksanvisningen. En oversikt over alle autoriserte serviceverksteder samt servicevilkår finnes også tilgjengelig på Internet, adresse: www.2helpU.com

Vennligst stikk innom våre nettsider på www.blackanddecker.no for å registrere ditt nye Black & Decker-produkt og for å holde deg oppdatert om nye produkter og spesialtilbud. Du finner mer informasjon om Black & Decker og produktutvalget vårt på www.blackanddecker.no

Anvendelsesområde

Din Black & Decker-støvsuger er til opugning af tørre stoffer. Produktet er kun beregnet til husholdningsbrug.

Sikkerhedsinstruktioner

- ◆ **Advarsel!** Ved brug af elektriske apparater skal de grundlæggende sikkerhedsforanstaltninger, inkl. nedenstående, altid følges, således at risikoen for brand, elektrisk stød samt person- og materialeskader begrænses.
- ◆ Læs denne brugsanvisning omhyggeligt igennem, inden apparatet tages i brug.
- ◆ Apparatet skal bruges som beskrevet i denne brugsanvisning. Anvendelsen af andet tilbehør til dette apparat eller udførelse af opgaver med andet udstyr end det her anbefalede kan medføre risiko for personskader.
- ◆ Opbevar denne brugsanvisning til fremtidig brug.

Brug af apparatet

- ◆ Sørg for at apparatet er slukket før du tilslutter det til strømforsyningen eller afbryder den.
- ◆ Vær altid omhyggelig, når du bruger apparatet.
- ◆ Brug ikke apparatet udendørs.
- ◆ Træk aldrig i ledningen for at tage stikket ud af kontakten. Ledningen skal holdes på afstand af varme, olie og skarpe kanter.
- ◆ Hvis ledningen beskadiges ved brugen, skal apparatet straks afbrydes ved kontakten. Rør ikke ved el-ledningen, før den er trukket ud af kontakten.
- ◆ Afbryd apparatet ved stikkontakten, når det ikke er i brug, før du monterer eller fjerner dele fra det, og før du rengør det.

Andres sikkerhed

- ◆ Tillad ikke børn eller personer, der ikke har læst denne brugsanvisning, at arbejde med apparatet.
- ◆ Børn eller dyr må ikke nærme sig arbejdsområdet eller røre ved apparatet eller netkablet. Tæt overvågning er nødvendig, når apparatet bruges i nærheden af børn.

Efter brug

- ◆ Sluk for apparatet, og tag stikket ud af kontakten, før apparatet efterlades ubevogtet, samt før en eller flere dele skal ændres, renses eller undersøges.
- ◆ Når apparatet ikke er i brug, skal det opbevares et tørt sted. Børn må ikke have adgang til opbevarede apparater.

Undersøgelse og reparation

- ◆ Før brug skal apparatet kontrolleres for skader eller defekte dele. Kontroller for brud på delene, for skader på knapper og andet, der kan have indflydelse på apparatets funktion.

- ◆ Apparatet må ikke benyttes, hvis nogen af delene er beskadigede eller defekte.
- ◆ Skadede eller defekte dele skal repareres eller udskiftes af en autoriseret tekniker.
- ◆ Før brug kontrolleres ledningen for tegn på skader, ældning og slid.
- ◆ Brug ikke apparatet, hvis ledningen eller stikket er beskadiget eller defekt.
- ◆ Hvis elkablet eller stikket er beskadiget eller defekt, skal det repareres af en autoriseret reparatør for at undgå ulykker. Skær ikke i elkablet og forsøg ikke selv at reparere det.
- ◆ Forsøg aldrig at fjerne eller udskifte andre dele end dem, der er specificeret i denne brugsanvisning.

El-sikkerhed



Denne maskine er dobbelt isoleret. Derfor er jordledning ikke nødvendig. Kontroller altid, at strømforsyningen svarer til spændingen på typeskiltet.

- ◆ Dette apparat er ikke beregnet til at blive betjent af unge eller uerfarne personer uden opsyn. Der skal være opsyn med børn for at sikre, at de ikke leger med maskinen.
- ◆ Hvis el-ledningen er skadet, skal den udskiftes af producenten eller et autoriseret Black & Decker servicecenter for at undgå ulykker.

VL1840 - Spændingsfald

Startstrømstød medfører kortvarige spændingsfald. Under ugunstige strømforsyningsforhold kan andet udstyr blive påvirket. F.eks. sker der et midlertidigt fald i styrken af kunstig belysning, når maskinen tændes.

Hvis strømforsyningens systemimpedans er lavere end 0,47 Ω, vil der sandsynligvis ikke opstå forstyrrelser.

Supplerende sikkerhedsinstruktioner for støvsugere

- ◆ Sørg for anvendelsen for, at filteret er ordentligt fastgjort.
- ◆ Bær ikke apparatet i beholderhåndtaget.
- ◆ Brug ikke apparatet til at suge væsker op med.
- ◆ Brug ikke apparatet til at tage letantændelige materialer op med.
- ◆ Brug ikke apparatet i nærheden af vand. Dyp ikke apparatet ned i vand.
- ◆ Hold motoren på afstand af ansigtet og øjnene.
- ◆ Hold børn og dyr på sikker afstand af apparatet, når det bruges.
- ◆ Arbejd altid nedefra og op, når du bruger apparatet på trapper. Det skal stå mindst ét trin neden for det trin, som du selv står på.
- ◆ Brug ikke apparatet, uden at sugemundstykket eller andet passende tilbehør er sat på røret.

- ◆ Hold hår, tøj og handsker væk fra dele, der bevæger sig. Ræk ikke ind i den roterende børste. Hold den roterende børste væk fra netkablet.
- ◆ Brug ikke beskadiget tilbehør.
- ◆ Brug udelukkende Black & Decker-tilbehør.

Funktioner

Dette apparat består af nogle af følgende dele eller alle (fig. A).

1. Afbryder
2. Hastighedskontrolkontakt
3. Knap til ledningsoprulning
4. Håndtag
5. Dæksel
6. Slange
7. Luftstrømskontrolkontakt
8. Forlængerstang
9. Sugemundstykke
10. Hjul

Desuden leveres dette apparat med noget af følgende tilbehør eller det hele (fig. B):

11. Sprækkemundstykke
12. Børstemundstykke
13. Parketmundstykke (VL1840)
14. Rengøringsbørste til filter
15. Turbobørste (VL2040)

Parketmundstykket følger ikke med alle modeller.

Dette tilbehør fås hos en Black & Decker-forhandler/servicecenter (katalognr. VW70).

Turbobørsten følger ikke med alle modeller. Dette tilbehør fås hos Black & Decker-forhandler/servicecenter (katalognr. VW80).

Samling

Tilslutning af slangen i (fig. C)

- ◆ Sæt slangetilslutningen (17) i indgangen (16) på apparatet.
- ◆ Skyd slangen længere ind, indtil udløserknapperne (18) klikker på plads.
- ◆ Slangen tages af ved at trykke på udløserknapperne og trække slangen ud.

Montering af forlængerstangen på (fig. D)

- ◆ Tryk på låseknappen (19) og skyd slangespidsen (20) ind i stangen (8) indtil den klikker på plads.
- ◆ Stangen tages af ved at trykke på låseknappen og trække slangen ud af stangen.

Montering af sugemundstykket på (fig. E)

Sugemundstykket (9) er til støvsugning af tæpper og hårde overflader (f.eks. laminat og fliser).

- ◆ Tryk på låseknappen (21) og skyd stangen (22) ind i mundstykket (8), indtil den klikker på plads..
- ◆ Mundstykket tages af ved at trykke på låseknappen og trække stangen ud af mundstykket.

VL1840 - Montering af parketmundstykket (fig. E)

Parketmundstykket (13) er til støvsugning af træoverflader og bonede overflader.

- ◆ Tryk på låseknappen (21) og skyd stangen (8) ind i mundstykket, indtil den klikker på plads..
- ◆ Mundstykket tages af ved at trykke på låseknappen og trække stangen ud af mundstykket.

VL2040 - Montering af turbobørsten (fig. E)

Turbobørsten (14) giver mulighed for støvsugning på velourtæpper. Børsten er især praktisk til optagning af hår og tråde og til opfriskning af nedtrådte velourtæpper.

- ◆ Tryk på låseknappen (21) og skyd stangen (8) ind i mundstykket, indtil den klikker på plads..
- ◆ Mundstykket tages af ved at trykke på låseknappen og trække stangen ud af mundstykket.

Montering af tilbehør (fig. E & F)

Sprækkemundstykket (11) er til støvsugning på steder, der er snævre og svære at nå. Børstemundstykket (12) er til støvsugning af møbler, skodder, gardiner, vinduer og trapper.

Tilbehøret kan både sættes på slangen (6) og på stangen (8).

Når tilbehøret ikke bruges, kan det opbevares i tilbehørholderen (22).

- ◆ Tag tilbehøret ud af holderen (fig. F).
- ◆ Tryk på låseknappen (19) og skyd tilbehøret ind på slangespidsen (20) eller stangen (8) (fig. E).
- ◆ Tag tilbehøret af ved at trykke på låseknappen (19) og trække tilbehøret af.

Anvendelse

Ud- og oprulning af ledningen (fig. A)

Knappen til ledningsoprulning (3) kan betjenes med hånden eller foden.

- ◆ Træk før brug et passende stykke ledning ud fra apparatets bagende.
- ◆ Efter brug bringes ledningen på plads igen ved at trykke på knappen til ledningsoprullet. Styr ledningen med hånden for at sikre, at den ikke svinger tilbage. Sørg for, at stikket sidder korrekt.

Justering af stangens længde (fig. G)

Forlængerstangen (8) kan justeres i 21 trin.

- ◆ Brug justeringsknappen (23) og træk stangen til den ønskede længde.
- ◆ Slip knappen

Justering af sugemundstykket på (fig. E)

- ◆ Til støvsugning af tæpper skal gulvoverfladevælgeren (24) stå oppe.
- ◆ Til støvsugning af laminat, fliser osv. skal gulvoverfladevælgeren stå nede.

Start og stop (fig. A)

Til/fra-kontakten (1) kan betjenes med hånden eller foden.

- ◆ Apparatet tændes ved at trykke på til/fra-kontakten (1).
- ◆ Apparatet slukkes ved trykke på til/fra-kontakten (1) igen.

Indstilling af sugestyrken (fig. A)

Hastighedskontrollkontakten (2) er beregnet til nøjagtig indstilling af sugestyrken.

- ◆ Skyd hastighedskontrollkontakten (2) i den ønskede indstilling.
- ◆ Vælg en høj hastighed til hårde overflader (f.eks. gulve).
- ◆ Vælg en lav hastighed til bløde overflader (f.eks. møbelstof).

Indstille luftstrømmen (fig. A)

- ◆ Flyt luftstrømsstyringskontakten (7) for at indstille luftstrømmen efter ønske.

Støvsugning

- ◆ Sørg for, at slangen ikke sidder fast eller er snoet eller blokeret, når du bruger apparatet.
- ◆ Hvis støvsugeren bliver for varm, træder en afbryder i funktion, og apparatet standser automatisk.
- ◆ Hvis apparatet holder op med at fungere, skal stikket tages ud af kontakten, og apparatet skal køle af i 2-3 timer.

Gode råd til optimalt brug

- ◆ Når du arbejder på steder hvor pladsen er trang, så tag midlertidigt tilbehørholderen af stangen for at få bedre plads.
- ◆ Start altid nedefra og arbejd dig opad, når du støvsuger trapper. Sæt apparatet på gulvet og støvsug halvdelen af trappen. Bær derefter apparatet op og stil det, så det står stabilt, dvs. mindst ét trin neden for din egen arbejdsposition. Støvsug derefter den øverste halvdel af trappen.

VL2040 - Brug af turbobørsten

- ◆ Sørg for, at hastighedskontrollen er sat på højeste indstilling. Skub efter behov på glideren oven på børsten for at optimere sugekraften.
- ◆ Bevæg børsten jævnt frem og tilbage. Hold ikke børsten det samme sted i længere tid, da det kan beskadige overfladen.

Transport af apparatet (fig. H)

Under brugen kan apparatet bæres i håndtaget (4).

- ◆ Tip håndtaget i stilling som vist.

Parkere sugemundstykket midlertidigt (fig. I)

- ◆ Brug anbringelsespositionen (25), når du vil opbevare sugemundstykket midlertidigt.

Opbevaring af apparatet (fig. J)

Advarsel! Sluk for apparatet, og træk stikket ud af kontakten, når apparatet skal opbevares.

- ◆ Kontroller at ledningen er rullet helt op.
- ◆ Stil apparatet i oprejst position.
- ◆ Parker stangen ved at sætte de ophøjede kanter på mundstykket og stangen i de tilsvarende revner på apparatet som vist. Låsen (26) går automatisk i indgreb.
- ◆ Opbevar apparatet på et tørt sted. Apparatet kan bæres i det integrerede håndtag (27).
- ◆ For at tage stangen af apparatet og tage det i brug trykkes på én af låseknapperne, og stangen og mundstykket løftes ud af anbringelsesrillerne.

Vedligeholdelse

Dit Black & Decker apparat er beregnet til brug i lang tid og med et minimum af vedligeholdelse. Men for at apparatet kan blive ved med at fungere tilfredsstillende, skal den passes godt og rengøres regelmæssigt.

Advarsel! Træk altid stikket ud af kontakten, før du foretager vedligeholdelse eller rengøring.

- ◆ Apparatets ventilationshuller skal regelmæssigt renses med en blød børste eller en tør klud.
- ◆ Rens med jævne mellemrum motorhuset med en fugtig klud. Der må ikke bruges skuremidler eller opløsningsmidler.

VL2040 - Rengøring af turbobørsten (fig. K)

- ◆ Fjern alle hår eller tråde, der har samlet sig på børsten (28). Brug eventuelt en saks.
- ◆ Tag dækslet (29) af for at fjerne eventuelle fremmedlegemer, der blokerer turbinen (30). Sæt dækslet på igen.

Tømning af beholderen (fig. L & M)

Beholderen (31) skal tømmes, når den røde indikator for fuld beholder (17) lyser, eller hvis man kan se, at beholderen er fuld.

- ◆ Tag beholderen ud af apparatet ved at løsne dens holdeclips (32) og løfte den ud ved at holde i håndtaget (33) (fig. L).
- ◆ Træk forsigtigt krogen (34) tilbage for at tage dækslet (5) af beholderen (31) (fig. M).
- ◆ Tøm beholderen efter behov.
- ◆ Rens filteret som beskrevet i det følgende.
- ◆ Sæt dækslet (5) på igen, idet det sikres, at krogen (34) klikker på plads.

- ◆ Sæt beholderen på plads igen i apparatet, så clipsen (32) går på plads.

Rengøring

Advarsel! Før rengøring og vedligeholdelse skal apparatet slukkes, og ledningen tages ud af stikkontakten.

- ◆ Tør af og til apparatet af med en fugtig klud. Der må ikke bruges skuremidler eller opløsningsmidler. Dyp ikke apparatet ned i vand.

Rengøring af beholderens filter (fig. L - O)

Beholderens filter forhindrer støv og snavs i at trænge ind i motorhuset. Filteret kan bruges igen og bør renses jævnligt.

- ◆ Fjern beholderen fra apparatet (fig. L).
- ◆ Fjern dækslet (5) fra beholderen (31) (fig. M).
- ◆ Træk filteret (35) ud af filterholderen (36) (fig. N).
- ◆ Ryst filteret fri for støv ved at slå det ned i en affaldsbeholder.
- ◆ Rens forsigtigt folderne i filteret (35) med børsten (14) (fig. O).

Advarsel! Der må ikke bruges børster eller trykluft til rengøring af filteret.

- ◆ Hvis filterets tilstand kræver det, kan det skylles på ydersiden med vand. Lad det tørre i 24 timer, før det monteres igen.

Advarsel! Indersiden af filteret må ikke vaskes.

- ◆ Sæt filteret på plads igen.
- ◆ Sæt dækslet på igen.
- ◆ Sæt støvbeholderen på plads i apparatet igen.

Rengøring af motorfilteret (fig. L & P)

Motorfilteret forhindrer partikler og større objekter i at trænge ind i motorhuset, når beholderen tages ud. Filteret kan bruges igen og bør renses jævnligt.

- ◆ Fjern beholderen fra apparatet (fig. L).
- ◆ Tag filteret (37) ud (fig. P).
- ◆ Børst alt løst støv af filteret.
- ◆ Sæt filteret på plads igen.
- ◆ Sæt støvbeholderen på plads i apparatet igen.

Udskiftning af filtrene (fig. L - O)

Hvis beholderens filter er beskadiget eller ikke fungerer efter hensigten, skal det udskiftes. Ved udskiftning af beholderfilteret skal motorfilteret og udsugningsfiltrene udskiftes samtidig.

Filtersæt til udskiftning fås hos din Black & Decker-forhandler (katalognummer VLF10).

Udskiftning af beholderens filter (fig. L - N)

- ◆ Filteret (35) skiftes som beskrevet i det foregående.

Udskiftning af motorfilteret (fig. L & P)

- ◆ Filteret (37) skiftes som beskrevet i det foregående.

Udskiftning af udgangsfiltrene (fig. Q & R)

- ◆ Åben dækslet (38).
- ◆ Tag de gamle filtre (39) ud.
- ◆ Sæt de nye filtre i som vist.
- ◆ Luk dækslet.

VL2040 - Udskiftning af kulfilteret

Kulfilteret fjerner lugt og røg fra motorhusets luftudstødning. Filteret skal udskiftes hver sjette til niende måned, samt hvis det er slidt eller beskadiget. Filtre til udskiftning fås hos din Black & Decker-forhandler (katalognummer VBF40).

- ◆ Filteret (40) skiftes som beskrevet i det foregående.

Beskyttelse af miljøet



Separat indsamling. Dette produkt må ikke bortskaffes sammen med almindeligt husholdningsaffald.

Hvis du en dag skal udskifte dit Black & Decker produkt, eller hvis du ikke skal bruge det længere, må du ikke bortskaffe det sammen med husholdningsaffald. Dette produkt skal være tilgængeligt for separat indsamling.



Separat indsamling af brugte produkter og emballage gør det muligt at genbruge materialer. Genbrugte materialer forebygger miljøforurening og nedbringer behovet for råstoffer.

Lokale regler kan give mulighed for separat indsamling af elektriske husholdningsprodukter på kommunale lossepladser eller hos den forhandler, som du købte produktet af.

Black & Decker har en facilitet til indsamling og genbrug af Black & Decker-produkter, når deres levetid er slut. Få fordelene ved denne service ved at returnere produktet til en autoriseret tekniker, der samler værktøj sammen på vores vegne.

Du kan få oplyst den nærmeste autoriserede tekniker ved at kontakte det lokale Black & Decker-kontor på den adresse, der er angivet i denne brugsanvisning. Alternativt findes der en liste over autoriserede Black & Decker-teknikere og oplysninger om vores eftersalgsservice og kontaktpersoner på Internettet på adressen: www.2helpU.com

Tekniske data

	VL1620	VL1840	VL2000	VL2040
Spænding	V 230	230	230	230
Motoreffekt	W 1.600	1.800	2.000	2.000
Kabellængde	m 6	6	6	6
Beholderstørrelse	l 2,5	2,5	2,5	2,5
Vægt	kg 6,4	6,4	6,7	6,7

EU overensstemmelseserklæring

VL1620/VL1840/VL2000/VL2040

Black & Decker erklærer, at disse produkter er

i overensstemmelse med følgende:

89/336/EØF, 73/23/EØF, EN 55014, EN 61000, EN 60335,
EN 61000-3-11


Kevin Hewitt

Director of Consumer Engineering
Spennymoor, County Durham DL16 6JG,
Storbritannien
1-12-2005

UK-patentanmeldelsesnumre 0314945.7; 0314930.9;
0317674.0; 0314932.5

EU-designanmeldelsesnummer 3 013 970

Australsk designanmeldelsesnummer 483/04

EU-designanmeldelsesnummer 131 651

Kinesisk designanmeldelsesnummer 200430002048

USA-designanmeldelsesnummer. 29/199,056

Reserve dele / reparationer

Reserve dele kan købes hos autoriserede Black & Decker serviceværksteder, som giver forslag til omkostninger og reparerer vore produkter. Oversigt over vore autoriserede værksteder findes på internettet på vor hjemmeside

www.blackanddecker.dk samt www.2helpu.com**Garanti**

Black & Decker garanterer, at produktet er fri for materielle skader og/eller fabrikationsfejl ved levering til kunden. Garantien er et tillæg til konsumentens lovlige rettigheder og påvirker ikke disse. Garantien gælder indenfor medlemsstaterne af den Europæiske Union og i det Europæiske Frihandelsområde.

Hvis et Black & Decker produkt går i stykker på grund af materiel skade og/eller fabrikationsfejl eller på anden måde ikke fungerer i overensstemmelse med specifikationen, inden for 24 måneder fra købsdatoen, påtager Black & Decker sig at reparere eller ombytte produktet med mindst muligt besvær for kunden.

Garantien gælder ikke for fejl og mangler, der er sket i forbindelse med:

- ◆ normal slitage
- ◆ uheldige følger efter unormal anvendelse af værktøjet
- ◆ overbelastning, hærværk eller overdrevent intensivt brug af værktøjet
- ◆ ulykkeshændelse

Garantien gælder ikke hvis reparationer er udført af nogen anden end et autoriseret Black & Decker værksted.

For at udnytte garantien skal produktet og købskvitteringen indleveres til forhandleren eller til et autoriseret værksted, senest 2 måneder efter at fejlen opdages. For information om nærmeste autoriserede værksted: kontakt det lokale Black & Decker kontor på den adresse som er opgivet i brugsanvisningen. Liste over alle autoriserede Black & Decker serviceværksteder samt servicevilkår er tilgængelig på internettet, på adressen www.2helpu.com

Gå venligst ind på vores website www.blackanddecker.dk for at registrere dit nye produkt og for at blive holdt ajour om nye produkter og specialtilbud. Der findes yderligere oplysninger om mærket Black & Decker og vores produktsortiment på adressen www.blackanddecker.dk

Käyttötarkoitus

Black & Deckerin pölynimuri on suunniteltu kuivaan imurointiin. Kone on tarkoitettu ainoastaan kotikäyttöön.

Turvaohjeet

- ◆ **Varoitus!** Sähkötyökaluja käytettäessä on aina noudatettava mm. seuraavia turvaohjeita, jotta tulipalojen, sähköiskujen, henkilövahinkojen ja materiaalivaurioiden riski olisi mahdollisimman pieni.
- ◆ Lue käyttöohje huolellisesti ennen laitteen käyttöönottoa.
- ◆ Laitteen käyttötarkoitus kuvataan tässä käyttöohjeessa. Käytä laitetta ainoastaan sellaiseen työhön, johon se on tarkoitettu, ja käytä vain käyttöohjeessa ja tuotekuvastossa suositeltuja tarvikkeita ja lisälaitteita. Ohjeesta poikkeava käyttö voi aiheuttaa onnettomuuden.
- ◆ Säilytä käyttöohje kaikkien laitteen käyttäjien ulottuvilla.

Laitteen käyttäminen

- ◆ Varmista, että laite on sammutettu ennen kuin kytket sen irti verkkovirrasta tai verkkovirtaan.
- ◆ Ole aina huolellinen käyttäessäsi laitetta.
- ◆ Älä käytä laitetta ulkona.
- ◆ Älä koskaan irrota pistoketta pistorasiasta vetämällä johdosta. Suojaa johto kuumuudelta, öljyltä ja teräviltä reunoilta.
- ◆ Jos virtajohto vahingoittuu käytön aikana, kytket se välittömästi irti virtalähteestä. Älä kosketa johtoa ennen kuin olet irrottanut sen virtalähteestä.
- ◆ Jos et käytä laitetta, kytket se irti virtalähteestä ennen osien asentamista tai irrottamista ja ennen puhdistusta.

Muiden turvallisuus

- ◆ Älä anna lasten tai kenenkään, joka ei ole lukenut tätä käyttöohjetta tai tutustunut laitteeseen, käyttää sitä.
- ◆ Älä anna lasten tai eläinten tulla lähelle työskentelyaluetta tai koskea laitteeseen tai sähköjohtoon. Jos laitetta käytetään lasten läheisyydessä, on välttämätöntä olla tarkkaavainen.

Käytön jälkeen

- ◆ Sammuta laite ja vedä pistoke irti pistorasiasta, ennen kuin jätät sen ilman valvontaa ja ennen sen osien vaihtamista, puhdistamista tai tarkastamista.
- ◆ Säilytä laitetta kuivassa paikassa, kun se ei ole käytössä. Varmista, että lapset eivät pääse käsiksi laitteisiin.

Tarkastus ja korjaukset

- ◆ Tarkista ennen käyttöä, ettei laitteessa ole vaurioita tai viallisia osia. Tarkista, ettei laitteessa ole murtuneita osia, vaurioituneita kytkimiä tai muita seikkoja, jotka saattavat vaikuttaa sen toimintaan.

- ◆ Älä käytä laitetta, jos jokin sen osista on viallinen.
- ◆ Viallinen osa tulee korjata tai vaihtaa valtuutetussa Black & Deckerin huoltoliikkeessä.
- ◆ Tarkista ennen käyttöä, että sähköjohto ei ole vaurioitunut, vanhentunut tai kulunut.
- ◆ Älä käytä laitetta, jos virtajohto tai pistoke ovat vahingoittuneet tai vialliset.
- ◆ Jos sähköjohto on vaurioitunut tai viallinen, se voidaan korjata vain valtuutetussa Black & Deckerin huoltoliikkeessä vaaratilanteiden välttämiseksi. Älä katkaise virtajohtoa äläkä yritä korjata sitä itse.
- ◆ Älä koskaan yritä irrottaa tai vaihtaa sellaisia osia, joita ei ole määritelty tässä oppaassa.

Sähköturvallisuus



Tämä laite on kaksoiseristetty; siksi erillistä maadoitusta ei tarvita. Tarkista aina, että virtalähde vastaa arvokilvessä ilmoitettua jännitettä.

- ◆ Tätä laitetta ei ole tarkoitettu nuorten henkilöiden käyttöön tai vajaavaltaisten henkilöiden käyttöön ilman valvontaa. Lapsia on valvottava, etteivät he leiki koneen kanssa.
- ◆ Jos sähköjohto on vaurioitunut, sen saa vaihtaa vain valtuutetussa Black & Deckerin huoltoliikkeessä vaaratilanteiden välttämiseksi.

VL1840 - Jännitteen aleneminen

Syöksyvirrat aiheuttavat lyhytkestoisia jännitteen alenemisiä. Syöttöjännitteen vaihtelut saattavat vaikuttaa muihin laitteisiin. Esimerkiksi valaistusteho saattaa alentua hetkeksi kun jiiirisaha käynnistetään.

Jos jännitteen syöttöjärjestelmän impedanssi on alempi kuin 0,47 Ω ei häiriöitä normaalisti synny.

Lisäturvaohjeet pölynimureille

- ◆ Varmista aina ennen käyttöä, että suodatin on oikein paikallaan.
- ◆ Älä kanna laitetta säiliön kahvasta.
- ◆ Älä käytä laitetta nesteiden imuroimiseen.
- ◆ Älä imuroi materiaaleja, jotka saattavat syttyä palamaan.
- ◆ Älä käytä laitetta veden lähellä. Älä upota laitetta veteen.
- ◆ Pidä moottorin ilmavirta pois silmien ja kasvojen alueelta.
- ◆ Työskentele turvallisen etäisyyden päässä lapsista ja eläimistä.
- ◆ Työskentele aina alhaalta ylöspäin portaissa. Pidä laite ainakin yhtä porrasta alempana, kun työskentelet.
- ◆ Älä käytä laitetta ilman, että putkeen on asennettu imupää tai muu sopiva tarvike.
- ◆ Pidä hiukset, vaatteet ja käsineet loitolla liikkuvista osista. Älä kosketa pyörivää harjaa. Pidä pyörivä harja pois johdon ulottuvilta.

- ◆ Älä käytä vahingoittuneita varusteita.
- ◆ Käytä vain Black & Deckerin varusteita.

Yleiskuvaus

Tällä laitteella on kaikki seuraavat ominaisuudet tai osa seuraavista ominaisuuksista (kuva A).

1. Virrankatkaisija
2. Nopeudensäädin
3. Johdon kelauspainike
4. Kädensija
5. Kansi
6. Letku
7. Ilmavirtauksen säätökytkin
8. Jatkoputki
9. Imupää
10. Pyörät

Lisäksi tämä laite on varustettu joillakin tai kaikilla seuraavista lisätarvikkeista (kuva B):

11. Rakosuulake
12. Harja
13. Imupää parkettilattialle (VL1840)
14. Suodattimen puhdistusharja
15. Turbo-harja (VL2040)

Parkettilattian suulake ei sisälly kaikkiin malleihin.

Tätä lisävarustetta myyvät Black & Decker –tuotteiden jälleenmyyjät / palvelukeskukset (tuoteno VW70).

Turbo-harja ei sisälly kaikkiin malleihin. Tätä lisävarustetta myyvät Black & Decker –tuotteiden jälleenmyyjät / palvelukeskukset (tuoteno VW80).

Kokoaminen

Letkun kytkeminen (kuva C)

- ◆ Työnnä letkuliitin (17) koneen aukkoon (16).
- ◆ Työnnä letkua sisään, kunnes vapautuspainikkeet (18) napsahtavat paikoilleen.
- ◆ Irrota letku painamalla vapautuspainikkeita ja vetämällä letku ulos.

Jatkoputken asennus (kuva D)

- ◆ Paina lukituspainiketta (19) ja liu'uta letkun suutin (20) putkeen (8), kunnes se napsahtaa paikalleen.
- ◆ Putki irrotetaan koneesta painamalla lukituspainiketta ja vetämällä letku ulos putkesta.

Imupään asentaminen (kuva E)

Imupään (9) avulla voidaan imuroida mattoa ja kovia pintoja (esim. laminaatti- ja laattalattiaa).

- ◆ Paina lukituspainiketta (21) ja liu'uta putki (8) päähän (9), kunnes putki napsahtaa paikalleen.

- ◆ Pää irrotetaan painamalla lukituspainiketta ja vetämällä putki ulos päästä.

VL1840 - Parketti-imupään asentaminen (kuva E)

Parketti-imupään (13) avulla voidaan imuroida puulattioita ja kiillotettuja pintoja.

- ◆ Paina lukituspainiketta (21) ja liu'uta putkea (8) päähän, kunnes putki napsahtaa paikalleen.
- ◆ Pää irrotetaan painamalla lukituspainiketta ja vetämällä putki ulos päästä.

VL2040 - Turbo-harjan asentaminen (kuva E)

Turbo-harjan (14) avulla voidaan imuroida karvalankamattoja. Harja on erityisen hyödyllinen imuroitaessa karvoja, lankoja jne. ja siistittäessä karvalankamattoja, joiden langat ovat purkautuneet.

- ◆ Paina lukituspainiketta (21) ja liu'uta putkea (8) päähän, kunnes putki napsahtaa paikalleen.
- ◆ Pää irrotetaan painamalla lukituspainiketta ja vetämällä putki ulos päästä.

Lisävarusteiden asentaminen (kuvat E & F)

Rakosuulakkeen (11) avulla voit imuroida kapeita ja vaikeasti tavoitettavia paikkoja. Harjasuulakkeen (12) avulla voidaan imuroida huonekaluja, sälekaihtimia, verhoja, ikkunoita ja portaita. Varusteet voidaan asentaa sekä letkuun (6) että putkeen (8). Kun varusteet eivät ole käytössä, tarvikkeet voidaan säilyttää varustelinedessä (22).

- ◆ Poista lisävaruste pidikkeestä (kuva F).
- ◆ Paina lukituspainiketta (19) ja liu'uta tarvike letkun suuttimeen (20) tai putkeen (8) (kuva E).
- ◆ Irrota varuste painamalla lukituspainiketta (19) ja vetämällä varuste pois.

Käyttö

Johdon kelaaminen auki ja sisään (kuva A)

Johdon kelauspainiketta (3) voidaan käyttää kädellä tai jalalla.

- ◆ Vedä riittävä määrä johtoa ulos koneen takaa ennen käyttöä.
- ◆ Kelaa johto takaisin sisään käytön jälkeen. Ohjaa johtoa käsin, ettei se heilahda takaisin. Varmista, että pistotulppa asettuu oikein.

Putken pituuden säätäminen (kuva G)

Jatkoputkea (8) voidaan säätää 21 askeleessa.

- ◆ Paina säätönappia (23) ja liu'uta putkea haluttuun pituuteen.
- ◆ Vapauta nappi.

Imupään säätäminen (kuva E)

- ◆ Kun imuroit mattoa, kytke lattiapinnan valitsin (24) yläasentoon.

- ◆ Kun imuroit laminaattilattiaa, laattalattiaa jne., kytke lattiapinnan valitsin ala-asentoon.

Käynnistys ja pysäytys (kuva A)

Virtakytkintä (1) voidaan käyttää kädellä tai jalalla.

- ◆ Kytke laite päälle painamalla virtakytkintä (1).
- ◆ Kytke laite pois päältä painamalla uudestaan virtakytkintä.

Imutehon asettaminen (kuva A)

Imuteho voidaan asettaa tarkasti nopeuden säätimellä (2).

- ◆ Aseta nopeuden säädin (2) haluttuun asetukseen.
- ◆ Valitse nopea nopeusasetus, kun imuroit kovia pintoja (esim. lattioita).
- ◆ Kun imuroit pehmeitä pintoja (esim. verhoilukankaita), valitse pieni nopeusasetus.

Ilmavirtauksen säätäminen (kuva A)

- ◆ Säädä ilmavirtausta haluamallasi tavalla siirtämällä ilmavirtauksen säädintä (7).

Imuroiminen

- ◆ Kun käytät konetta, varmista, ettei letku jää jumiin, kierry tai tukkeudu.
- ◆ Jos kone ylikuumenee, automaattinen virrankatkaisutoiminto pysäyttää koneen toiminnan.
- ◆ Jos laitteen toiminta lakkaa, irrota virtajohto ja anna laitteen jäähtyä ainakin 2 - 3 tuntia.

Vinkejä parhaimman tuloksen saamiseksi

- ◆ Kun työskentelet ahtaissa tiloissa, irrota tarviketeline väliaikaisesti putkesta, jotta työskentelylle tulee lisää tilaa.
- ◆ Kun imuroit portaita, aloita alhaalta ja etene ylöspäin. Sijoita laite lattialle ja imuroi portaat puoliväliin asti. Kanna laite sitten vakaaseen kohtaan, joka on ainakin yhden askelman työpistettä alempana ja imuroi sitten portaiden yläpuoli.

VL2040 - Turbo-harjan käyttö

- ◆ Tarkista, että nopeuden säädin on säädetty suurimmalle teholle. Liikuta harjan päällä olevaan liukukosketinta tarpeen mukaan optimoidaksesi imutehon.
- ◆ Liikuta harjaa vakaasti edestakaisin. Älä pidä harjaa pitkään samassa kohdassa, koska tällöin pinta voi vahingoittua.

Laitteen kantaminen (kuva H)

Laitetta voidaan kantaa kädensijasta (4) käytön aikana.

- ◆ Kallista kädensija oikeaan asentoon kuvan osoittamalla tavalla.

Imupään pysäköiminen väliaikaisesti (kuva I)

- ◆ Käytä pysäköintiasentoa (25), kun haluat pysäköidä imupään väliaikaisesti.

Laitteen varastointi (kuva J)

Varoitus! Kun varastoit laitteen, kytke se pois päältä ja irrota sen virtajohto.

- ◆ Varmista, että virtajohto on kelattu kokonaan sisään.
- ◆ Sijoita laite pystyasentoon.
- ◆ Pysäköi putki asettamalla putken ja pään harjanteet laitteessa oleviin uriin kuvan osoittamalla tavalla. Lukituslaite (26) kiinnittyy automaattisesti.
- ◆ Säilytä laite kuivassa paikassa. Laitetta voi kantaa siinä olevasta kahvasta (27).
- ◆ Kun haluat ottaa putken irti laitteesta käyttöä varten, paina yhtä lukituspainikkeista ja nosta putki ja pää pois pysäköintiurista.

Huolto

Black & Deckerin laite on suunniteltu toimimaan mahdollisimman pitkän aikaa mahdollisimman vähällä huollolla. Oikealla huollolla ja säännöllisellä puhdistuksella kone säilyttää suorituskykynsä.

Varoitus! Ennen huoltoa ja puhdistusta laitteen tulee olla pois päältä ja irti virtalähteestä.

- ◆ Puhdista laitteen ilma-aukot säännöllisesti pehmeällä harjalla tai kuivalla rievulla.
- ◆ Puhdista laitteen kuori säännöllisesti kostealla siivousliinalla. Älä koskaan käytä puhdistamiseen liuotainaineita tai syövyttäviä puhdistusaineita.

VL2040 - Turbo-harjan puhdistus (kuva K)

- ◆ Poista kaikki karvat tai langat, jotka ovat kiinni harjassa (28). Käytä tarvittaessa saksia.
- ◆ Irrota suojus (29) ja poista kaikki vieraat esineet, jotka tukkivat ilmaturbiinin (30). Asenna kansi takaisin.

Säiliön tyhjentäminen (kuvat L & M)

Säiliö (31) on tyhjennettävä, kun punainen täyttymisosoitin (17) syttyy tai näet itse, että säiliö on täynnä.

- ◆ Irrota säiliö koneesta vapauttamalla säiliön pidike (32) ja nostamalla säiliötä kahvasta (33) (kuva L).
- ◆ Vedä koukku (34) hieman niin, että kansi (5) irtoaa säiliöstä (31) (kuva M).
- ◆ Tyhjennä säiliö vaaditulla tavalla.
- ◆ Puhdista suodatin alla kuvatulla tavalla.
- ◆ Asenna kansi (5) takaisin. Pidä huoli siitä, että koukku (34) naksahtaa takaisin paikalleen.
- ◆ Työnnä säiliötä takaisin koneeseen, kunnes salpa (32) kiinnittyy.

Puhdistus

Varoitus! Ennen huoltoa ja puhdistusta laite pitää sammuttaa ja kytkää irti virtalähteestä.

- ◆ Pyyhi laite säännöllisesti kostealla rievulla. Älä koskaan käytä puhdistamiseen liuotainaineita tai syövyttäviä puhdistusaineita. Älä upota laitetta veteen.

Säiliön suodattimen puhdistaminen (kuvat L - O)

Säiliön suodatin estää pölyn ja lian pääsyn moottorin koteloon. Suodattimia voidaan käyttää kerta toisensa jälkeen; siksi ne on puhdistettava säännöllisesti.

- ◆ Irrota säiliö laitteesta (kuva L).
- ◆ Irrota kansi (5) säiliöstä (31) (kuva M).
- ◆ Vedä suodatin (35) pois suodattimen pidikkeestä (36) (kuva N).
- ◆ Ravista ylimääräinen pöly pois ravistamalla suodatinta roska-astiassa.
- ◆ Puhdista suodattimen taitokset (35) varovasti käyttäen harjaa (14) (kuva O).

Varoitus! Älä puhdista suodatinta harjaamalla tai paineilmalla.

- ◆ Huuhtelee suodattimen ulkopuoli vedellä, jos sen kunto sallii tämän. Anna suodattimen kuivua 24 tuntia ennen kuin asennat sen takaisin.

Varoitus! Älä pese suodatinta sisältä.

- ◆ Vaihda suodatin.
- ◆ Asenna kansi takaisin.
- ◆ Asenna säiliö takaisin laitteeseen.

Moottorin suodattimen puhdistaminen (kuvat L & P)

Moottorin suodatin estää partikkelien ja suurten esineiden pääsyn moottorin koteloon, kun säiliö irrotetaan.

Suodatinta voidaan käyttää kerta toisensa jälkeen; siksi se on puhdistettava säännöllisesti.

- ◆ Irrota säiliö laitteesta (kuva L).
- ◆ Ota suodatin (37) ulos (kuva P).
- ◆ Harjaa kaikki irtopöly pois suodattimista.
- ◆ Vaihda suodatin.
- ◆ Asenna säiliö takaisin laitteeseen.

Suodattimien vaihtaminen (kuvat L - Q)

Jos säiliön suodatin on vaurioitunut tai se ei toimi oikein, suodatin on vaihdettava. Kun vaihdat säiliön suodattimen, myös moottorin suodatin ja poistoilman suodatin on vaihdettava. Uusia suodattimia myyvät Black & Decker – tuotteiden jälleenmyyjät (tuotenro VLF10).

Säiliön suodattimen vaihtaminen (kuvat L - N)

- ◆ Vaihda suodatin (35) yllä olevan kuvauksen mukaisesti.

Moottorin suodattimen vaihtaminen (kuvat L & P)

- ◆ Vaihda suodatin (37) yllä olevan kuvauksen mukaisesti.

Poistoilman suodattimen vaihtaminen (kuvat Q & R)

- ◆ Avaa kansi (38).
- ◆ Ota vanhat suodattimet (39) pois.
- ◆ Asenna uudet suodattimet kuvan osoittamalla tavalla.
- ◆ Sulje kansi.

VL2040 - Hiilisuodattimen vaihtaminen

Hiilisuodatin poistaa moottorin kotelosta poistuvan ilman hajuja ja savua. Suodatin tulee vaihtaa 6 - 9 kuukauden välein tai jos se on kulunut tai vaurioitunut. Uusia suodattimia myyvät Black & Decker –tuotteiden jälleenmyyjät (tuotenro VBF40).

- ◆ Vaihda suodatin (40) yllä olevan kuvauksen mukaisesti.

Ympäristö



Erillinen keräys. Tätä tuotetta ei saa hävittää normaalin kotitalousjätteen kanssa.

Kun Black & Decker -koneesi on käytetty loppuun, älä hävitä sitä kotitalousjätteen mukana. Tämä tuote on kerättävä erikseen.



Käytettyjen tuotteiden ja pakkausten erillinen keräys mahdollistaa materiaalien kierrätyksen ja uudelleenkäytön. Kierrätettyjen materiaalien uudelleenkäyttö auttaa ehkäisemään ympäristön saastumisen ja vähentää raaka-aineiden kysyntää.

Paikallisten säännösten mukaisesti on mahdollista viedä kotitalouksien sähkölaitteet kuntien kaatopaikoille tai jättää ne vähittäismyyjälle ostettaessa uusi tuote.

Black & Decker tarjoaa mahdollisuuden Black & Decker – tuotteiden keräykseen ja kierrätykseen sen jälkeen, kun ne on poistettu käytöstä. Jotta voisit hyötyä tästä palvelusta, palauta laitteesi johonkin valtuutettuun huoltoliikkeeseen, joka kerää laitteet meidän puolestamme.

Voit tarkistaa lähimmän valtuutetun huoltoliikkeen sijainnin ottamalla yhteyden Black & Deckerin toimistoon, joka sijaitsee tässä käsikirjassa annetussa osoitteessa. Lista valtuutetuista Black & Decker -huoltoliikkeistä sekä yksityiskohtaiset tiedot korjauspalvelustamme ovat vaihtoehtoisesti saatavilla Internetissä, osoitteessa www.2helpU.com

Tekniset tiedot

	VL1620	VL1840	VL2000	VL2040
Jännite	V 230	230	230	230
Ottoteho	W 1.600	1.800	2.000	2.000
Kaapelin pituus	m 6	6	6	6
Säiliön koko	l 2,5	2,5	2,5	2,5
Paino	kg 6,4	6,4	6,7	6,7

EU:n yhdenmukaisuusilmoitus

VL1620/VL1840/VL2000/VL2040

Black & Decker vakuuttaa näiden tuotteiden olevan seuraavien standardien vaatimusten mukaisia:

89/336/EEC, 73/23/EEC, EN 55014, EN 61000, EN 60335, EN 61000-3-11



Kevin Hewitt
Director of Consumer Engineering
Spennymoor, County Durham DL16 6JG,
Iso-Britannia
1-12-2005

Isobritannialaisen patenttihakemuksen numerot: 0314945.7;
0314930.9; 0317674.0; 0314932.5

Isobritannialaisen hakemuksen numero 3 013 970

Australialaisen hakemuksen numero 483/04

Euroopan yhteisön hakemuksen numero 131 651

Kiinalaisen hakemuksen numero 200430002048

Yhdysvaltalaisen hakemuksen numero 29/199,056

Korjaukset / varaosat

Mikäli koneeseen tulee vikaa, jätä se aina Black & Deckerin valtuuttamaan huoltoliikkeeseen korjattavaksi (tiedot löytyvät uusimmasta tuoteluettelostamme tai ottamalla yhteyttä Black & Decker Oy:hyn). Varaosia myyvät valtuutetut Black & Deckerin huoltoliikkeet, ja heiltä voi myös pyytää kustannusarvion koneen korjauksesta.

Tiedot valtuutetuista huoltoliikkeistä löytyvät myös internetistä osoitteesta www.2helpU.com sekä kotisivuiltamme www.blackanddecker.fi

Takuu

Black & Decker Oy takaa, ettei koneessa ollut materiaali- ja/ tai valmistusvikaa silloin, kun se toimitettiin ostajalle. Takuu on lisäys kuluttajan laillisiin oikeuksiin eikä vaikuta niihin. Takuu on voimassa Euroopan Unionin jäsenmaissa ja Euroopan vapaakauppa-alueella (EFTA).

Mikäli Black & Decker -kone hajoaa materiaali- ja/ tai valmistusvirheen tai teknisten tietojen epätarkkuuden vuoksi 24 kk:n kuluessa ostopäivästä, Black & Decker korjaa koneen ilman kustannuksia ostajalle tai vaihtaa sen uuteen Black & Decker Oy:n valinnan mukaan.

Takuu ei kata vikoja, jotka johtuvat koneen

- ◆ normaalista kulumisesta
- ◆ ylikuormituksesta, virheellisestä käytöstä tai hoidosta
- ◆ vahingoittamisesta vieraalla esineellä tai aineella tai onnettomuustapauksessa.

Takuu ei ole voimassa, mikäli konetta on korjannut joku muu kuin Black & Deckerin valtuuttama huoltoliike.

Edellytyksenä takuun saamiselle on, että ostaja jättää koneen ja ostokuitin jälleenmyyjälle tai valtuutetulle huoltoliikkeelle viimeistään 2 kuukauden kuluessa vian ilmenemisestä.

Tiedot valtuutetuista huoltoliikkeistä saa ottamalla yhteyttä Black & Decker Oy:hyn sekä internetistä osoitteesta www.2helpU.com, jossa on myös takuuehdot.

Voit vieraila verkkosivullamme www.blackanddecker.fi rekisteröidäksesi uuden Black & Decker-tuotteesi ja saadaksesi tietoa uusista tuotteista ja erikoistarjouksista. Saat lisätietoja Black & Deckerin tavaramerkistä ja tuotevalikoimastamme osoitteesta www.blackanddecker.fi

Ενδεξιμένη χρήση

Αυτή η ηλεκτρική σκούπα της Black & Decker έχει σχεδιαστεί για το σκούπισμα ξηρών ουσιών.

Αυτό το προϊόν προορίζεται μόνο για οικιακή χρήση.

Οδηγίες ασφαλείας

- ◆ **Προειδοποίηση!** Όταν χρησιμοποιείτε ηλεκτρικά μηχανήματα, θα πρέπει να τηρείτε πάντα τις βασικές οδηγίες ασφαλείας, συμπεριλαμβανομένων και των παρακάτω, για να περιορίσετε τον κίνδυνο πυρκαγιάς, ηλεκτροπληξίας, σωματικών βλαβών και υλικών ζημιών.
- ◆ Πριν χρησιμοποιήσετε τη συσκευή, διαβάστε προσεκτικά ολόκληρο το εγχειρίδιο.
- ◆ Η ενδεξιμένη χρήση περιγράφεται σε αυτό το εγχειρίδιο. Η χρήση οποιοδήποτε αξεσουάρ ή προσαρμογής ή η απόδοση οποιασδήποτε λειτουργίας με αυτή τη συσκευή, εκτός αυτών που προτείνονται σε αυτό το εγχειρίδιο οδηγιών, εγκυμονεί κίνδυνο τραυματισμού.
- ◆ Φυλάξτε το εγχειρίδιο αυτό για να μπορείτε να ανατρέξετε σε αυτό στο μέλλον.

Χρήση της συσκευής σας

- ◆ Βεβαιωθείτε ότι η συσκευή είναι εκτός λειτουργίας πριν τη συνδέσετε ή την αποσυνδέσετε από την πρίζα.
- ◆ Προσέχετε πάντα όταν χρησιμοποιείτε τη συσκευή.
- ◆ Μη χρησιμοποιείτε τη συσκευή σε εξωτερικούς χώρους.
- ◆ Μην τραβήξετε ποτέ το καλώδιο ηλεκτρικού ρεύματος για να αποσυνδέσετε το φις από την πρίζα. Διατηρείτε το καλώδιο τροφοδοσίας σε απόσταση από πηγές θερμότητας, λάδια και από αιχμηρά άκρα.
- ◆ Εάν το καλώδιο τροφοδοσίας καταστραφεί κατά τη χρήση, αποσυνδέστε τη συσκευή αμέσως από την πρίζα. Μην αγγίζετε το καλώδιο τροφοδοσίας πριν αποσυνδέσετε το φις από την πρίζα.
- ◆ Να αποσυνδέετε τη συσκευή από την πρίζα όταν δεν χρησιμοποιείται, πριν τοποθετήσετε ή αφαιρέσετε εξαρτήματα και πριν την καθαρίσετε.

Ασφάλεια τρίτων

- ◆ Μην επιτρέπετε σε μικρά παιδιά ή σε άτομα που δεν έχουν διαβάσει το εγχειρίδιο οδηγιών να χρησιμοποιήσουν τη συσκευή.
- ◆ Μην επιτρέπετε σε παιδιά ή ζώα να πλησιάζουν στο χώρο εργασίας ή να αγγίζουν τη συσκευή ή το καλώδιο τροφοδοσίας της. Όταν χρησιμοποιείτε τη συσκευή κοντά σε παιδιά, πρέπει να τα επιτηρείτε στενά.

Μετά τη χρήση

- ◆ Πριν αφήσετε τη συσκευή χωρίς επιτήρηση και πριν αλλάξετε, καθαρίσετε ή ελέγξετε οποιαδήποτε εξαρτήματά της, πρέπει πρώτα να τη θέσετε εκτός λειτουργίας και να αποσυνδέσετε το φις από την πρίζα.

- ◆ Όταν δεν χρησιμοποιείται, η συσκευή θα πρέπει να αποθηκεύεται σε ξηρό χώρο. Τα παιδιά δεν πρέπει να έχουν πρόσβαση στις αποθηκευμένες συσκευές.

Ελεγχος και επισκευές

- ◆ Πριν τη χρήση, ελέγξτε τη συσκευή για τυχόν φθαρμένα ή ελαττωματικά εξαρτήματα. Ελέγξτε για εξαρτήματα που πιθανόν να έχουν σπάσει, για διακόπτες που πιθανόν να έχουν πάθει ζημιά και γενικά κάθε είδους συνθήκες που θα μπορούσαν ενδεχομένως να επηρεάσουν τη λειτουργία της συσκευής.
- ◆ Μη χρησιμοποιείτε τη συσκευή εάν κάποιο εξάρτημά της έχει πάθει ζημιά ή παρουσιάζει ελάττωμα.
- ◆ Ζητήστε από εξουσιοδοτημένο συνεργείο σέρβις την επισκευή ή την αντικατάσταση όλων των φθαρμένων ή ελαττωματικών εξαρτημάτων.
- ◆ Πριν από τη χρήση, ελέγξτε προσεκτικά το καλώδιο τροφοδοσίας για σημάδια ζημιάς, παλαιώσης και φθοράς.
- ◆ Μη χρησιμοποιείτε τη συσκευή αν το καλώδιο τροφοδοσίας της ή το φις έχει πάθει ζημιά ή παρουσιάζει ελάττωμα.
- ◆ Εάν το καλώδιο τροφοδοσίας ή το φις είναι κατεστραμμένο ή ελαττωματικό, πρέπει να επισκευαστεί από εξουσιοδοτημένο συνεργείο σέρβις ώστε να μην προκύψει κίνδυνος. Μην κόβετε το καλώδιο τροφοδοσίας και μην προσπαθείτε να το επισκευάσετε μόνοι σας.
- ◆ Μην επιχειρήσετε ποτέ να αφαιρέσετε ή να αντικαταστήσετε εξαρτήματα εκτός αυτών που προσδιορίζονται σε αυτό το εγχειρίδιο.

Ασφαλής χρήση του ηλεκτρικού ρεύματος



Αυτό το εργαλείο φέρει διπλή μόνωση, επομένως δεν απαιτείται σύμμα γείωσης. Ελέγχετε πάντοτε αν η τάση τροφοδοσίας αντιστοιχεί σε αυτήν που αναγράφεται στην πινακίδα στοιχείων του εργαλείου.

- ◆ Αυτό το εργαλείο δεν πρέπει να χρησιμοποιηθεί από νέους ή ασταθές άτομα χωρίς επιτήρηση. Τα παιδιά πρέπει να επιτηρηθούν για να βεβαιωθείτε ότι δεν παίζουν με το εργαλείο.
- ◆ Αν το καλώδιο ρεύματος έχει υποστεί βλάβη, πρέπει να αντικατασταθεί από τον κατασκευαστή ή από εξουσιοδοτημένο Κέντρο Επισκευών Black & Decker ώστε να αποφύγετε τους κινδύνους.

VL1840 - Πτώσης τάσης

Το ρεύμα εισροής μπορεί να προκαλέσει βραχυπρόθεσμες πτώσεις τάσης. Κάτω από δυσμενείς συνθήκες παροχής ρεύματος, μπορεί να επηρεαστεί και άλλος εξοπλισμός. Για παράδειγμα, ο τεχνητός φωτισμός θα δείξει μια πτώση όταν το μηχανήμα τίθεται σε λειτουργία.

Αν η αντίσταση συστήματος της παροχής ρεύματος είναι μικρότερη από 0,47 Ω, οι πιθανότητες είναι να μην υπάρχουν διαταραχές.

Συμπληρωματικές οδηγίες ασφαλείας για ηλεκτρικές σκούπες

- ◆ Πριν από τη χρήση, βεβαιωθείτε ότι το φίλτρο έχει τοποθετηθεί σωστά.
- ◆ Μη μεταφέρετε τη συσκευή από τη λαβή του κάδου.
- ◆ Μη χρησιμοποιείτε τη συσκευή για τη συλλογή υγρών.
- ◆ Μη χρησιμοποιείτε τη συσκευή για τη συλλογή υλικών τα οποία υπάρχει κίνδυνος να αναφλεγούν.
- ◆ Μη χρησιμοποιείτε τη συσκευή κοντά σε νερό. Μη βυθίζετε τη συσκευή σε νερό.
- ◆ Φροντίστε ώστε το ρεύμα αναρρόφησης του μοτέρ να είναι μακριά από τα μάτια και το πρόσωπό σας.
- ◆ Φροντίστε τα παιδιά και τα ζώα να βρίσκονται σε απόσταση ασφαλείας όταν χρησιμοποιείτε τη συσκευή αυτή.
- ◆ Να εργάζεστε πάντα από κάτω προς τα πάνω όταν χρησιμοποιείτε τη συσκευή σε σκάλες και να διατηρείτε τη σκούπα τουλάχιστον ένα σκαλοπάτι χαμηλότερα από τη θέση εργασίας σας.
- ◆ Μη χρησιμοποιείτε τη συσκευή χωρίς να έχει τοποθετηθεί στο σωλήνα το πέλμα αναρρόφησης ή άλλο κατάλληλο εξάρτημα.
- ◆ Κρατάτε τα μαλλιά, τα ενδύματα και τα γάντια σας μακριά από τα κινούμενα εξαρτήματα. Μην πιάνετε την περιστρεφόμενη βούρτσα. Κρατήστε τη περιστρεφόμενη βούρτσα μακριά από το καλώδιο ρεύματος.
- ◆ Μην χρησιμοποιείτε καταστρωμένα εξαρτήματα.
- ◆ Να χρησιμοποιείτε μόνο εξαρτήματα Black & Decker.

Χαρακτηριστικά

Η συσκευή περιλαμβάνει όλα ή ορισμένα από τα ακόλουθα χαρακτηριστικά (εικ. Α).

1. Διακόπτης on/off
2. Διακόπτης ελέγχου στροφών
3. Κουμπί επανατύλιξης καλωδίου
4. Λαβή
5. Κάλυμμα
6. Εύκαμπτος σωλήνας
7. Διακόπτης ελέγχου παροχής αέρα
8. Σωλήνας προέκτασης
9. Πέλμα αναρρόφησης
10. Τροχοί

Επιπλέον, η συσκευή αυτή διαθέτει κάποια ή όλα από τα ακόλουθα εξαρτήματα (εικ. Β):

11. Εξάρτημα για δύσκολα σημεία
12. Βούρτσα
13. Πέλμα για ξύλινα δάπεδα (VL1840)
14. Βούρτσα καθαρισμού φίλτρων
15. Βούρτσα τουρμπίνας (VL2040)

Το πέλμα για ξύλινα δάπεδα δεν συμπεριλαμβάνεται σε όλα τα μοντέλα. Αυτό το εξάρτημα είναι διαθέσιμο από τους αντιπροσώπους Black & Decker / κέντρα επισκευών (αρ. κατ. VW70).

Η βούρτσα τουρμπίνας δεν συμπεριλαμβάνεται σε όλα τα μοντέλα. Αυτό το εξάρτημα είναι διαθέσιμο από τους αντιπροσώπους Black & Decker / κέντρα επισκευών (αρ. κατ. VW80).

Συναρμολόγηση

Σύνδεση του εύκαμπτου σωλήνα (εικ. C)

- ◆ Εισάγετε το συνδετήρα του εύκαμπτου σωλήνα (17) στην είσοδο (16) της συσκευής.
- ◆ Σύρετε τον εύκαμπτο σωλήνα περισσότερο μέχρι να ασφαλίσει τα μπουτόν απασφάλισης (18) στη θέση τους.
- ◆ Για να αποσυνδέσετε τον εύκαμπτο σωλήνα, πατήστε τα μπουτόν απασφάλισης και τραβήξτε το σωλήνα προς τα έξω.

Τοποθέτηση του σωλήνα προέκτασης (εικ. D)

- ◆ Πατήστε το μπουτόν ασφάλισης (19) και σύρετε το ακροφύσιο του εύκαμπτου σωλήνα (20) μέσα στο μεταλλικό σωλήνα (8) μέχρι να ασφαλίσει στη θέση του κάνοντας "κλικ".
- ◆ Για να βγάλετε το μεταλλικό σωλήνα, πατήστε το μπουτόν ασφάλισης και τραβήξτε τον εύκαμπτο σωλήνα ώστε να βγει από το μεταλλικό σωλήνα.

Τοποθέτηση του πέλματος αναρρόφησης (εικ. E)

Το πέλμα αναρρόφησης (9) επιτρέπει το σκούπισμα χαλιών και σκληρών επιφανειών (π.χ. λαμινέ και πλακάκια).

- ◆ Πατήστε το μπουτόν ασφάλισης (21) και σύρετε το μεταλλικό σωλήνα (8) μέσα στο πέλμα (9) μέχρι να ασφαλίσει στη θέση του κάνοντας "κλικ".
- ◆ Για να βγάλετε το πέλμα, πατήστε το μπουτόν ασφάλισης και τραβήξτε το σωλήνα ώστε να βγει από το πέλμα.

VL 1840 - Τοποθέτηση του πέλματος για ξύλινα δάπεδα (εικ. E)

Το πέλμα για ξύλινα δάπεδα (13) επιτρέπει το σκούπισμα ξύλινων και λουστραρισμένων επιφανειών.

- ◆ Πατήστε το μπουτόν ασφάλισης (21) και σύρετε το μεταλλικό σωλήνα (8) μέσα στο πέλμα μέχρι να ασφαλίσει στη θέση του κάνοντας "κλικ".
- ◆ Για να βγάλετε το πέλμα, πατήστε το μπουτόν ασφάλισης και τραβήξτε το σωλήνα ώστε να βγει από το πέλμα.

VL2040 - Τοποθέτηση της θούρτσας τουρμπίνας (εικ. E)

Η βούρτσα τουρμπίνας (14) επιτρέπει το σκούπισμα σε χαλιά κοφτού πέλος. Η βούρτσα είναι εξαιρετικά χρήσιμη για σκούπισμα μαλλιών, κλωστών κτλ, και επίσης για την αναζωογόνηση των πατημένες πελών χαλιών.

- ♦ Πατήστε το μπουτόν ασφάλισης (21) και σύρετε το μεταλλικό σωλήνα (8) μέσα στο πέλμα μέχρι να ασφαλίσει στη θέση του κάνοντας “κλικ”.
- ♦ Για να βγάλετε το πέλμα, πατήστε το μπουτόν ασφάλισης και τραβήξτε το σωλήνα ώστε να βγει από το πέλμα.

Εξαρτήματα τοποθέτησης (εικ. E & F)

Το εξάρτημα καθαρισμού σχισμών (11) επιτρέπει το σκούπισμα σε στενά σημεία και σε σημεία όπου δεν είναι εύκολη η πρόσβαση. Η βούρτσα (12) επιτρέπει το σκούπισμα πάνω σε έπιπλα, περσίδες, κουρτίνες, παράθυρα και σκάλες.

Τα εξαρτήματα μπορούν να τοποθετηθούν και στον εύκαμπτο (6) και στο μεταλλικό (8) σωλήνα. Όταν δεν χρησιμοποιούνται, τα εξαρτήματα μπορούν να φυλάσσονται στη θήκη για τα εξαρτήματα (22).

- ♦ Βγάλτε το εξάρτημα από τη θήκη (εικ. F).
- ♦ Πατήστε το μπουτόν ασφάλισης (19) και σύρετε το εξάρτημα πάνω στο ακροφύσιο του εύκαμπτου σωλήνα (20) ή του μεταλλικού σωλήνα (8) (εικ. E).
- ♦ Για να αφαιρέσετε κάποιο εξάρτημα, πατήστε το μπουτόν ασφάλισης (19) και τραβήξτε το εξάρτημα.

Χρήση

Ξετύλιγμα και επανατύλιγμα του καλωδίου (εικ. A)

Το κουμπί επανατύλιξης του καλωδίου (3) λειτουργεί και με το χέρι και με το πόδι.

- ♦ Πριν χρησιμοποιήσετε τη σκούπα, τραβήξτε καλώδιο ικανοποιητικού μήκους από το πίσω μέρος της συσκευής.
- ♦ Μετά τη χρήση, πατήστε το κουμπί επανατύλιξης του καλωδίου για να φυλαχτεί το καλώδιο στη θέση του. Οδηγήστε το καλώδιο με το χέρι για να βεβαιωθείτε ότι δεν θα πεταχτεί πίσω. Βεβαιωθείτε ότι το φινιρίσκιο βρίσκεται στη σωστή θέση.

Ρύθμιση του μήκους του μεταλλικού σωλήνα (εικ. G)

Το μήκος του σωλήνα προέκτασης (8) μπορεί να ρυθμιστεί σε 21 βήματα.

- ♦ Πατήστε το κουμπί ρύθμισης (23) και σύρετε το σωλήνα στο μήκος που επιθυμείτε.
- ♦ Αφήστε το κουμπί.

Ρύθμιση του πέλματος αναρρόφησης (εικ. E)

- ♦ Για το σκούπισμα χαλιών, τοποθετήστε τον επιλογέα επιφάνειας δαπέδου (24) στην πάνω θέση.
- ♦ Για σκούπισμα σε πλακάκια, τοποθετήστε τον επιλογέα επιφάνειας δαπέδου στην κάτω θέση.

Θέση εντός και εκτός λειτουργίας (εικ. A)

Ο διακόπτης λειτουργίας on/off (1) λειτουργεί και με το χέρι και με το πόδι.

- ♦ Για να θέσετε τη συσκευή σε λειτουργία, πατήστε το διακόπτη on/off (1).
- ♦ Για να θέσετε τη συσκευή εκτός λειτουργίας, πατήστε ξανά το διακόπτη on/off.

Ρύθμιση της ισχύος αναρρόφησης (εικ. A)

Ο διακόπτης ελέγχου ταχύτητας (2) επιτρέπει την ακριβή ρύθμιση της ισχύος αναρρόφησης.

- ♦ Τοποθετήστε το διακόπτη ελέγχου ταχύτητας (2) στη θέση που επιθυμείτε.
- ♦ Για σκούπισμα σε σκληρές επιφάνειες (π.χ. δάπεδα), επιλέξτε υψηλή τιμή ταχύτητας.
- ♦ Για σκούπισμα σε μαλακές επιφάνειες (π.χ. ταπετσαρίες), επιλέξτε χαμηλή τιμή ταχύτητας.

Ρύθμιση της παροχής αέρα (εικ. A)

- ♦ Μετακινήστε το διακόπτη ελέγχου της παροχής αέρα (7) για να ρυθμίσετε την παροχή αέρα όπως επιθυμείτε.

Σκούπισμα

- ♦ Όταν λειτουργείτε τη συσκευή, φροντίστε να μην παγιδεύετε, να μη στρίβετε και να μη μπλέκετε τον εύκαμπτο σωλήνα.
- ♦ Σε περίπτωση υπερθέρμανσης, ενεργοποιείται μια διάταξη διακοπής και η λειτουργία της συσκευής διακόπτεται αυτόματα.
- ♦ Αν διακοπεί η λειτουργία της συσκευής, αποσυνδέστε τη συσκευή από την πρίζα και αφήστε τη να κρυώσει για 2-3 ώρες.

Συμβουλές για άριστη χρήση

- ♦ Όταν σκουπίζετε σε στενούς χώρους, βγάλτε προσωρινά τη θήκη των εξαρτημάτων από το μεταλλικό σωλήνα για να βελτιώσετε την κατάσταση.
- ♦ Όταν σκουπίζετε σκάλες, να ξεκινάτε πάντα από κάτω και να συνεχίζετε ανεβαίνοντας. Τοποθετήστε τη συσκευή στο δάπεδο και σκουπίστε τη σκάλα μέχρι τη μέση. Έπειτα, μεταφέρετε τη συσκευή σε σταθερή θέση, η οποία να βρίσκεται τουλάχιστον ένα σκαλοπάτι χαμηλότερα από τη θέση εργασίας σας, και σκουπίστε το υπόλοιπο μισό της σκάλας.

VL2040 - Χρήση της θούρτσας τουρμπίνας

- ♦ Προσέξτε ο διακόπτης ρύθμισης ταχύτητας να βρίσκεται στην υψηλότερη ρύθμιση. Μετακινήστε τον συρόμενο διακόπτη στη κορυφή της βούρτσας όσο χρειάζετε για να βελτιώσετε την δύναμη αναρρόφησης.
- ♦ Μετακινήστε σταθερά τη βούρτσα εμπρός και πίσω. Μην κρατάτε τη βούρτσα στο ίδιο σημείο για μεγάλο διάστημα, καθώς μπορεί να καταστρέψει την επιφάνεια.

Μεταφορά της συσκευής (εικ. Η)

Κατά τη χρήση, η συσκευή μπορεί να μεταφερθεί από τη χειρολαβή (4).

- ◆ Γείρετε τη χειρολαβή στη θέση της όπως φαίνεται στην εικόνα.

Προσωρινή στερέωση του πέλματος αναρρόφησης (εικ. Ι)

- ◆ Χρησιμοποιήστε τη θέση στερέωσης (25) για να στερεώσετε προσωρινά το πέγμα αναρρόφησης.

Μεταφορά της συσκευής (εικ. J)

Προειδοποίηση! Όταν πρόκειται να αποθηκεύσετε τη συσκευή, θέστε την εκτός λειτουργίας και αποσυνδέστε την από την πρίζα.

- ◆ Βεβαιωθείτε ότι το καλώδιο έχει επανατυλιχθεί πλήρως.
- ◆ Τοποθετήστε τη συσκευή σε όρθια θέση.
- ◆ Στερεώστε το μεταλλικό σωλήνα τοποθετώντας τις προεξοχές του πέγμα και του σωλήνα στις αντίστοιχες υποδοχές της συσκευής όπως φαίνεται στην εικόνα. Η διάταξη ασφάλισης (26) ενεργοποιείται αυτόματα.
- ◆ Αποθηκεύστε τη συσκευή σε ξηρό χώρο. Η συσκευή μπορεί να μεταφερθεί από την ενσωματωμένη χειρολαβή (27).
- ◆ Για να πάρετε το σωλήνα από τη συσκευή για να σκουπίσετε, πατήστε ένα από τα μπουτόν ασφάλισης και ανασηκώστε το σωλήνα και το πέγμα από τις υποδοχές στερέωσης.

Συντήρηση

Αυτό το μηχάνημα της Black & Decker έχει σχεδιαστεί για να λειτουργεί για μεγάλο χρονικό διάστημα με ελάχιστη συντήρηση. Η αδιάλειπτη και κανονιστική λειτουργία της συσκευής εξαρτάται από τη φροντίδα και τον τακτικό καθαρισμό της.

Προειδοποίηση! Πριν εκτελέσετε οποιαδήποτε εργασία συντήρησης ή καθαρισμού της συσκευής, αποσυνδέστε την από την πρίζα.

- ◆ Να καθαρίζετε τακτικά τις σχισμές εξαερισμού της συσκευής σας χρησιμοποιώντας μαλακή βούρτσα ή στεγνό ύφασμα.
- ◆ Να καθαρίζετε τακτικά το περιβλήμα του μοτέρ χρησιμοποιώντας ένα υγρό πανί. Μη χρησιμοποιείτε αποξεστικά καθαριστικά ή υγρά καθαρισμού που περιέχουν διαλύτες.

VL2040 - Καθαρισμός της θούρτσας τουρμπίνας (εικ. Κ)

- ◆ Αφαιρέστε τα μαλλιά ή τις κλωστές από τη βούρτσα (28). Αν χρειαστεί χρησιμοποιήστε ένα ψαλίδι.
- ◆ Αφαιρέστε το κάλυμμα (29) για αφαιρέστε τα ξένα αντικείμενα που εμποδίζουν τη τουρμπίνα αέρος (30). Τοποθετήστε ξανά το κάλυμμα.

Αδειασμα του κάδου (εικ. L & M)

Πρέπει να αδειάζετε τον κάδο (31) όταν ανάψει η κόκκινη ένδειξη πληρότητας κάδου (17) ή όταν οκάδος φαίνεται γεμάτος.

- ◆ Αφαιρέστε τον κάδο από τη συσκευή απασφαλίζοντας το κλιπ συγκράτησής του (32) και σηκώνοντας τον κάδο από τη λαβή (33) (εικ. L).
- ◆ Τραβήξτε ελαφρά το άγκιστρο (34) για να αφαιρέσετε το κάλυμμα (5) από τον κάδο (31) (εικ. M).
- ◆ Αδειάστε τον κάδο όποτε χρειάζεται.
- ◆ Καθαρίστε το φίλτρο όπως περιγράφεται παρακάτω.
- ◆ Τοποθετήστε ξανά το κάλυμμα (5), προσέχοντας ώστε να ακουστεί το κλικ καθώς το άγκιστρο (34) επιστρέφει στη θέση του.
- ◆ Τοποθετήστε ξανά τον κάδο μέσα στη συσκευή, ώστε να ασφαλίσει το κλιπ (32).

Καθαρισμός

Προειδοποίηση! Πριν από τον καθαρισμό και τη συντήρηση, θέστε τη συσκευή εκτός λειτουργίας και βγάλτε την από την πρίζα.

- ◆ Να καθαρίζετε τακτικά τη συσκευή με ένα υγρό πανί. Μη χρησιμοποιείτε αποξεστικά καθαριστικά ή υγρά καθαρισμού που περιέχουν διαλύτες. Μη βυθίζετε τη συσκευή σε νερό.

Καθαρισμός του φίλτρου του κάδου (εικ. L - O)

Το φίλτρο του κάδου προστατεύει το χώρο του μοτέρ από την εισχώρηση σκόνης και ακαθαρσιών. Το φίλτρο μπορεί να ξαναχρησιμοποιηθεί και θα πρέπει να καθαρίζεται τακτικά.

- ◆ Βγάλτε τον κάδο από τη συσκευή (εικ. L).
- ◆ Αφαιρέστε το κάλυμμα (5) από τον κάδο (31) (εικ. M).
- ◆ Τραβήξτε το φίλτρο (35) από τη θήκη του φίλτρου (36) (εικ. N).
- ◆ Τινάξτε την περίσσεια της σκόνης, κτυπώντας ελαφρά το φίλτρο μέσα σε έναν σκουπιδοτενεκέ.
- ◆ Καθαρίστε απαλά τις θήκες του φίλτρου (35) χρησιμοποιώντας τη βούρτσα (14) (εικ. O)

Προειδοποίηση! Μην βουρτσίζετε ή μη χρησιμοποιείτε αέρα υπό πίεση για να καθαρίσετε το φίλτρο.

- ◆ Ανάλογα με την κατάστασή του, πλύνετε την εξωτερική επιφάνεια του φίλτρου με νερό. Αφήστε το φίλτρο να στεγνώσει για 24 ώρες, πριν το ξανατοποθετήσετε.
- ◆ **Προειδοποίηση!** Μην πλένετε το εσωτερικό του φίλτρου.
- ◆ Τοποθετήστε ξανά το φίλτρο.
- ◆ Τοποθετήστε ξανά το κάλυμμα.
- ◆ Εισάγετε ξανά τον κάδο μέσα στην συσκευή.

Καθαρισμός του φίλτρου του μοτέρ (εικ. L & P)

Το φίλτρο του μοτέρ εμποδίζει την εισαγωγή σωματιδίων και αντικειμένων στο περίβλημα του μοτέρ, όταν ο κάδος έχει αφαιρεθεί. Το φίλτρο μπορεί να ξαναχρησιμοποιηθεί και θα πρέπει να καθαρίζεται τακτικά.

- ◆ Βγάλτε τον κάδο από τη συσκευή (εικ. L).
- ◆ Βγάλτε το φίλτρο (37) (εικ. P).
- ◆ Σκουπίστε τυχόν σκόνη από το φίλτρο.
- ◆ Τοποθετήστε ξανά το φίλτρο.
- ◆ Εισάγετε ξανά τον κάδο μέσα στην συσκευή.

Αντικατάσταση των φίλτρων (εικ. L - Q)

Αν το φίλτρο του κάδου καταστραφεί ή δεν λειτουργεί σωστά, πρέπει να αντικατασταθεί. Όταν αντικαθιστάτε το φίλτρο του κάδου, θα πρέπει να αντικαταστήσετε επίσης το φίλτρο του μοτέρ και τα φίλτρα εξόδου. Ανταλλακτικά φίλτρα διατίθενται από τον αντιπρόσωπο της Black & Decker (αρ. κατ. VLF10).

Αντικατάσταση του φίλτρου του κάδου (εικ. L - N)

- ◆ Για να αντικαταστήσετε το φίλτρο (35), ακολουθήστε την παραπάνω διαδικασία.

Αντικατάσταση του φίλτρου του μοτέρ (εικ. L & P)

- ◆ Για να αντικαταστήσετε το φίλτρο (37), ακολουθήστε την παραπάνω διαδικασία.

Αντικατάσταση των φίλτρων εξόδου (εικ. Q & R)

- ◆ Ανοίξτε το κάλυμμα (38).
- ◆ Αφαιρέστε τα παλιά φίλτρα (39).
- ◆ Τοποθετήστε τα καινούρια φίλτρα όπως φαίνεται στην εικόνα.
- ◆ Κλείστε το κάλυμμα.

VL2040 - Αντικατάσταση του φίλτρου κάρβουνου

Το φίλτρο κάρβουνου αφαιρεί τις μυρωδιές και το καπνό από τον αέρα που βγαίνει από το περίβλημα του μοτέρ. Το φίλτρο πρέπει να αντικαθίστανται κάθε 6 έως 9 μήνες και οποτεδήποτε φθαρούν ή καταστραφούν. Ανταλλακτικά φίλτρα διατίθενται από τον αντιπρόσωπο της Black & Decker (αρ. κατ. VBF40).

- ◆ Για να αντικαταστήσετε το φίλτρο (40), ακολουθήστε την παραπάνω διαδικασία.

Διάθεση εργαλείων και περιβάλλον

Ξεχωριστή συλλογή. Αυτό το προϊόν δεν πρέπει να απορριφθεί με συνηθισμένα σπιτικά απορρίμματα.

Εάν κάποια μέρα διαπιστώσετε ότι το προϊόν σας Black & Decker χρειάζεται αντικατάσταση ή δεν σας χρησιμεύει πλέον, μην το απορρίψετε με τα σπιτικά απορρίμματα. Κάντε αυτό το προϊόν διαθέσιμο για ξεχωριστή συλλογή.



Η ξεχωριστή συλλογή χρησιμοποιημένων προϊόντων και συσκευασιών επιτρέπει την ανακύκλωση υλικών. Η επανάχρηση ανακυκλωμένων υλικών βοηθάει την προστασία του περιβάλλον και μειώνει την ζήτηση για σπάνια υλικά.

Οι τοπικοί κανονισμοί μπορεί να παρέχουν ξεχωριστή συλλογή ηλεκτρικών προϊόντων από κατοικίες, δημοτικές τοποθεσίες απορριμμάτων ή από τον έμπορα όταν αγοράσατε το καινούργιο προϊόν.

Η Black & Decker δίνει τη δυνατότητα συλλογής και ανακύκλωσης των προϊόντων της που έχουν συμπληρώσει τη διάρκεια ζωής τους. Αν θέλετε να χρησιμοποιήσετε την εν λόγω υπηρεσία, επιστρέψτε το προϊόν σας σε οποιοδήποτε εξουσιοδοτημένο κέντρο επισκευών, όπου θα το παραλάβουν εκ μέρους σας.

Ενημερωθείτε για το πλησιέστερο κέντρο επισκευών της περιοχής σας, επικοινωνώντας με τα γραφεία της Black & Decker στη διεύθυνση που αναγράφεται στο εγχειρίδιο. Επίσης, για να πληροφορηθείτε τα εξουσιοδοτημένα κέντρα επισκευών της Black & Decker και τις λεπτομέρειες και τους αρμόδιους των υπηρεσιών που παρέχονται μετά την πώληση, μπορείτε ανατρέξετε στο Διαδίκτυο στη διεύθυνση: www.2helpU.com

Τεχνικά χαρακτηριστικά

	VL1620	VL1840	VL2000	VL2040
Τάση	V 230	230	230	230
Ισχύς εισόδου	W 1.600	1.800	2.000	2.000
Μήκος καλωδίου	m 6	6	6	6
Μέγεθος κάδου	l 2,5	2,5	2,5	2,5
Βάρος	kg 6,4	6,4	6,7	6,7

Δήλωση συμμόρφωσης με την Ευρωπαϊκή Κοινότητα

VL1620/VL1840/VL2000/VL2040

H Black & Decker δηλώνει ότι τα προϊόντα αυτά συμμορφώνονται με:

89/336/EOK, 73/23/EOK, EN 55014, EN 61000, EN 60335, EN 61000-3-11



Kevin Hewitt

Διευθυντής Εξυπηρέτησης Πελατών
Spennymoor, County Durham DL16 6JG,
Αγγλία
1-12-2005

Για να ισχύσει η εγγύηση, πρέπει να υποβάλετε απόδειξη αγοράς στον πωλητή ή το εξουσιοδοτημένο κέντρο επισκευών. Ενημερωθείτε για το πλησιέστερο κέντρο επισκευών της περιοχής σας, επικοινωνώντας με τα γραφεία της Black & Decker στη διεύθυνση που αναγράφεται στο εγχειρίδιο. Επίσης, για να πληροφορηθείτε για τα εξουσιοδοτημένα κέντρα επισκευών της Black & Decker, τις λεπτομέρειες και τους αρμόδιους των υπηρεσιών που παρέχονται μετά την πώληση, μπορείτε να ανατρέξετε στο Διαδίκτυο στη διεύθυνση: www.2helpU.com

Παρακαλούμε να επισκεφτείτε την ιστοσελίδα μας www.blackanddecker.com για να καταχωρήσετε το νέο σας προϊόν Black & Decker και για να ενημερώνεστε για τα νέα προϊόντα και τις ειδικές προσφορές. Περισσότερες πληροφορίες σχετικά με τη μάρκα Black & Decker και τη σειρά προϊόντων μας θα βρείτε στη διεύθυνση www.blackanddecker.com

Αρ. εφαρμογής ευρεσιτεχνίας για την Αγγλία 0314945.7;
0314930.9; 0317674.0; 0314932.5

Αρ. εφαρμογής σχεδιασμού για την Αγγλία 3 013 970

Αρ. εφαρμογής σχεδιασμού για την Αυστραλία 483/04

Αρ. εφαρμογής σχεδιασμού για την Ευρωπαϊκή Ένωση 131 651

Αρ. εφαρμογής σχεδιασμού για την Κίνα 200430002048

Αρ. εφαρμογής σχεδιασμού για την Αμερική 29/199,056

Εγγύηση

Η Black & Decker είναι σίγουρη για την ποιότητα των προϊόντων της και παρέχει σημαντική εγγύηση. Η παρούσα γραπτή εγγύηση αποτελεί πρόσθετο δικαίωμά σας και δεν ζημιώνει τα συνταγματικά σας δικαιώματα. Η εγγύηση ισχύει εντός της επικράτειας των Κρατών Μελών της Ευρωπαϊκής Ένωσης και της Ευρωπαϊκής Ζώνης Ελευθέρων Συναλλαγών.

Σε περίπτωση που κάποιο προϊόν της Black & Decker παρουσιάσει βλάβη εξαιτίας ελαττωματικών υλικών, ποιότητας εργασίας ή έλλειψης συμφωνίας με τις προδιαγραφές εντός 24 μηνών από την ημερομηνία αγοράς, η Black & Decker εγγυάται την αντικατάσταση των ελαττωματικών τμημάτων, την επισκευή προϊόντων που έχουν υποστεί εύλογη φθορά λόγω χρήσης ή την αντικατάσταση των προϊόντων προκειμένου να εξασφαλίσει την ελάχιστη ενόχληση στους πελάτες της, εκτός αν:

- ◆ Το προϊόν έχει χρησιμοποιηθεί σε εργασιακό, επαγγελματικό περιβάλλον ή αν έχει ενοικιαστεί
- ◆ Έχει γίνει εσφαλμένη χρήση του προϊόντος ή αν έχει παραμεληθεί
- ◆ Το προϊόν έχει υποστεί βλάβη από άλλα αντικείμενα, από ουσίες ή λόγω ατυχήματος
- ◆ Έχει γίνει προσπάθεια επισκευής από μη εξουσιοδοτημένα κέντρα επισκευών ή από προσωπικό που δεν ανήκει στο προσωπικό της Black & Decker

Öngörülen kullanımı

Sahip olduğunuz Black & Decker elektrikli süpürge kuru maddeleri vakumlu süpürme yapmak için tasarlanmıştır. Bu ürün sadece ev işlerinde kullanım içindir.

Güvenlik talimatları

- ◆ **Uyarı!** Elektrikli aletleri kullanırken yangın, elektrik çarpması, kişisel yaralanmalar ve maddesel hasarların önüne geçmek için, aşağıdakileri de içeren temel güvenlik önlemlerine daima uymak gerekir.
- ◆ Cihazı kullanmadan önce bu kullanım kılavuzunu dikkatlice okuyun.
- ◆ Bu ürünün kullanım amacı bu kullanım kılavuzunda anlatılmıştır. Bu kullanım kılavuzunda belirtilen aksesuarların ya da yardımcı aletlerin kullanılmaması veya aletle tavsiye edilen dışındaki işlemlerin yapılması yaralanma riskinin doğmasına yol açabilir.
- ◆ Bu kullanım kılavuzunu gelecekteki kullanımlar için saklayın.

Cihazınızın kullanımı

- ◆ Güç kaynağına bağlamadan veya bağlantıyı kesmeden önce cihazın kapalı olduğundan emin olun.
- ◆ Cihazı kullanırken daima dikkatli olun.
- ◆ Cihazı açık havada kullanmayın.
- ◆ Fişi prizden çekerken hiç bir zaman kablodan çekmeyin. Elektrik kablosunu sıcaklık kaynaklarından, yağdan ve keskin kenarlardan uzak tutun.
- ◆ Elektrik kablosu kullanım sırasında zarar görürse cihazı hemen prizden çekin. Güç kaynağıyla bağlantısını kesmeden güç kablosuna dokunmayın.
- ◆ Kullanımda olmadığında, parça takıp çıkarırken ve temizlik öncesinde cihazı güç kaynağından çekin.

Diğer şahısların güvenliği

- ◆ Çocukların ve bu kullanım talimatlarını bilmeyen kişilerin cihazı kullanmasına engel olun.
- ◆ Çocukların veya hayvanların çalışma alanına girmesine ve elektrik kablosuna dokunmasına izin vermeyin. Eğer bu cihaz çocukların bulunduğu yerin yakınlarında kullanılacaksa yakın gözetim gereklidir.

Kullanımdan sonra

- ◆ Cihazın herhangi bir parçasını değiştirmeden, cihazı temizlemeden veya bakıma almadan önce veya cihazı terk etmeden önce cihazı kapatın ve fişini prizden çekin.
- ◆ Kullanılmadığı zaman, cihaz mutlaka kuru bir yerde saklanmalıdır. Saklanan cihazlara çocuklar erişmemelidir.

Cihazın kontrolü ve tamirleri

- ◆ Kullanımdan önce cihazın veya herhangi bir parçasının anızlı olup olmadığını kontrol edin.

Parçaların çatlak olup olmadığını, düğmelerinin anızlı olup olmadığını ve düzgün işlemeyi etkileyecek diğer şartların kontrolünü yapın.

- ◆ Cihazı, herhangi bir parçasının hasarlı veya kusurlu olması durumunda kullanmayın.
- ◆ Hasarlı veya kusurlu parçaların yetkili tamir servisleri tarafından tamir edilmesini veya değiştirilmesini sağlayın.
- ◆ Kullanımdan önce elektrik kablosunun anızlı veya eski gibi görünüp görünmediğinin kontrolünü yapın.
- ◆ Elektrik kablosu veya elektrik fişi anızlı ya da kusurluysa cihazı kullanmayın.
- ◆ Elektrik kablosu veya elektrik fişi anızlı ya da kusurluysa, olası tehlikeleri engellemek için bunların değişimini yetkili servis yapmalıdır. Elektrik kablosunu kesmeyin ve bunu kendiniz tamir etmeye çalışmayın.
- ◆ Bu kullanım kılavuzunda belirtilen parçaların dışındaki hiç bir parçayı değiştirmeye veya sökmeye çalışmayın.

Elektrik güvenliği



Bu alet ikili izolasyonludur; bu nedenle topraklı kabloya ihtiyaç yoktur. Daima şebeke voltajının, adaptörünüzün üstünde yazılı olan voltajla aynı olmasına dikkat edin.

- ◆ Bu alet, denetim olmadan genç veya kuvvetsiz insanların kullanması için tasarlanmamıştır. Aletle oynamalarını temin etmek üzere çocuklara nezaret edilmelidir.
- ◆ Besleme kordonu hasarlıysa, bir tehlikeyi önlemek için kordon üretici veya yetkili bir Black & Decker Servis Merkezinde tarafından değiştirilmelidir.

VL1840 - Voltaj düşmeleri

İçeriye doğru olan ani akımlar kısa süreli voltaj düşmelerine neden olur. Olumsuz güç temini koşulları altında, diğer ekipman da etkilenebilir. Örneğin, makine açıldığı zaman suni aydınlatma miktarda geçici bir düşüş gösterir. Güç kaynağının sistem özdirenci 0,47 Ω dan daha düşük ise, istenmeyen bozukluklar ortaya çıkabilir.

Elektrikli aletler için ek güvenlik talimatları

- ◆ Kullanmadan önce, filtrenin doğru olarak oturduğuna emin olun.
- ◆ Cihazı kap tutucudan taşımayın.
- ◆ Cihazı sıvıları toplamak için kullanmayın.
- ◆ Cihazı alev alabilecek malzemeleri toplamak için kullanmayın.
- ◆ Cihazı suyun yanında kullanmayın. Cihazı suya sokmayın.
- ◆ Motordan çıkan hava akımını gözlerinizden ve yüzünüzden uzak tutun.
- ◆ Bu cihazı kullanırken çocukları ve hayvanları güvenli bir mesafede tutun.

- ◆ Cihazı merdivenlerde kullanırken daima en aşağıdan başlayın ve cihazı, bulunduğunuz konumdan en azından bir basamak aşağıda tutun.
- ◆ Cihazı, boru üzerine takılmış bir emme kafası veya uygun bir aksesuar olmadan kullanmayın.
- ◆ Saçlarınızı, elbiselerinizi ve eldivenlerinizi hareketli parçalardan uzak tutun. Döner fırçaya yaklaşmayın. Döner fırçayı elektrik kablosundan uzak tutun.
- ◆ Hasarlı aksesuarları kullanmayın.
- ◆ Sadece Black & Decker aksesuarlarını kullanın.

Özellikler

Bu cihaz aşağıdaki özelliklerin tamamını veya bir kısmını ihtiva etmektedir (şek. A).

1. Açma/kapama düğmesi
2. Hız kontrol anahtarı
3. Kablo geri sarma düğmesi
4. Tutacak
5. Kapak
6. Hortum
7. Hava akımı kontrol anahtarı
8. Uzatma borusu
9. Emme kafası
10. Çarklar

İlaveten, cihaz aşağıdaki aksesuarların bazıları veya tamamı ile birlikte temin edilmektedir (şek. B):

11. Aralık ucu
12. Fırça ucu
13. Parke taban başı (VL1840)
14. Filtre temizleme fırçası
15. Turbo fırça (VL2040)

Parke taban başı bütün modellere dahil edilmemiştir.

Bu aksesuar Black & Decker bayiinizden / servis merkezinizden temin edilebilir (katalog no. VW70).

Turbo fırça bütün modellere dahil edilmemiştir. Bu aksesuar Black & Decker bayiinizden / servis merkezinizden temin edilebilir (katalog no. VW80).

Montaj

Hortumun takılması (şek. C)

- ◆ Hortum bağlantısını (17) cihazın girişinin (16) içine takın.
- ◆ Serbest bırakma düğmeleri (18) yerine oturana kadar hortumu ileri itin.
- ◆ Hortumu çıkartmak için, serbest bırakma düğmelerine basın ve hortumu çekin.

Uzatma borusunun takılması (şek. D)

- ◆ Kilitleme düğmesine (19) basın ve hortumun ucunu (20) yerine oturana kadar borunun (8) içine itin.
- ◆ Boruyu çıkartmak için, kilitleme düğmesine basın ve hortumu borudan dışarıya çekin.

Emme kafasının monte edilmesi (şek. E)

Emme kafası (9) halı ve sert zeminlerde (örneğin, laminat ve karo fayanslar) temizleme işlemlerine uygundur.

- ◆ Kilitleme düğmesine (21) basın ve boruyu (8) yerine oturana kadar kafanın (9) içine itin.
- ◆ Kafayı çıkartmak için, kilitleme düğmesine basın ve boruyu kafadan dışarıya çekin.

VL1840 – Parke taban başının edilmesi (şek. E)

Parke taban başı (13), ahşap ve cilalı yüzeylerde temizleme yapmak için uygundur.

- ◆ Kilitleme düğmesine (21) basın ve boruyu (8) yerine oturana kadar kafanın içine itin.
- ◆ Kafayı çıkartmak için, kilitleme düğmesine basın ve boruyu kafadan dışarıya çekin.

VL2040 – Turbo fırçanın monte edilmesi (şek. E)

Turbo fırça (14) kırık tüylü halı malzemelerinin temizlenmesi için uygundur. Fırça özellikle saçları, iplikleri v.s. toplamak için olduğu kadar hızlı çıkan halı tüylerini yenilemek için de faydalıdır.

- ◆ Kilitleme düğmesine (21) basın ve boruyu (8) yerine oturana kadar kafanın içine itin.
- ◆ Kafayı çıkartmak için, kilitleme düğmesine basın ve boruyu kafadan dışarıya çekin.

Aksesuarların monte edilmesi (şek. E & F)

Aralık ucu (11), dar ve erişilmesi güç yerlerin temizlenmesi için kullanılmaktadır. Fırça ucu (12), mobilyaları, çekme perdeleri, perdeleri ve merdivenleri temizlemek için kullanılmaktadır. Aksesuarlar hem hortuma (6) ve hem de boruya (8) monte edilebilir. Kullanılmadıkları zaman aksesuarlar aksesuar tutucunun (22) içinde saklanabilir.

- ◆ Aksesuar tutucunun içinden çıkartın (şek. F).
- ◆ Kilitleme düğmesine basın (19) ve aksesuar hortum ucunun (20) veya borunun (8) üzerine kaydırın (şek. E).
- ◆ Aksesuar çıkartmak için, kilitleme düğmesine (19) basın ve aksesuarı çekin.

Kullanım

Kordonun açılması ve sarılması (şek. A)

Kordon sarma düğmesi (3) elle veya ayakla çalıştırılabilir.

- ◆ Kullanmadan önce, cihazın arkasından yeterli uzunlukta kordon çekin.

- ◆ Kullandıktan sonra, kordonu tekrar yerine saklamak için kordon sarma düğmesine basın. Kordonu, geri sarmamasını temin etmek için manuel olarak kontrol edin. Elektrik fişinin doğru olarak yerleşmiş olduğuna emin olun.

Boronun uzunluğunun ayarlanması (şek. G)

Uzatma boru (8) 21 aşamada ayarlanabilir.

- ◆ Ayarlama düğmesini (23) ayarlayın ve boruyu istenen uzunluğa getirin.
- ◆ Düğmeyi serbest bırakın.

Emme kafasının ayarlanması (şek. E)

- ◆ Halıların temizlenmesi için, taban yüzey seçiciyi (24) üst konuma getirin.
- ◆ Laminatları, karo fayansları v.s. temizlerken, taban yüzey seçiciyi aşağı konuma getirin.

Cihazı açıp kapatma (şek. A)

Açma/kapama düğmesi (1) elle veya ayakla çalıştırılabilir.

- ◆ Cihazı açmak için, açma/kapama düğmesine basın (1).
- ◆ Cihazı kapatmak için, açma/kapama düğmesine tekrar basın (1).

Emme gücünü ayarlanması (şek. A)

Hız kontrol anahtarını (2), emme gücünün tam olarak ayarlanmasına izin vermektedir.

- ◆ Hız kontrol anahtarını (2) istenen ayara getirin.
- ◆ Sert yüzeyleri (örneğin, zeminler) temizlemek için, yüksek hız ayarını seçin.
- ◆ Yumuşak yüzeyleri (örneğin, döşemelik kumaş) temizlemek için, alçak hız ayarını seçin.

Hava akımının ayarlanması (şek. A)

- ◆ Hava akımını istendiği ayarlamak için, hava akım anahtarını (7) hareket ettirin.

Temizleme

- ◆ Cihazı çalıştırırken, hortumun takılmadığına, döndürülmediğine veya sarılmadığına emin olun.
- ◆ Aşırı ısınma olması halinde, ısı kesme fonksiyonu çalışacak ve cihaz otomatik olarak duracaktır.
- ◆ Cihaz çalıştırmayı durdurur ise, cihazı prizden çekin ve 2-3 saat soğumaya bırakın.

Optimal kullanım metodları

- ◆ Dar alanlarda çalışırken, amacınıza ulaşmak için aksesuar tutucuyu geçici olarak borudan çıkartın.
- ◆ Merdivenleri temizlerken, daima aşağıdan başlayın ve işinize yukarı doğru devam edin. Cihazı zemine yerleştirin ve merdivenleri yarıya kadar temizleyin.

Daha sonra cihazı çalışmakta olduğunuz basamaktan en az bir basamak aşağıya sabit bir konuma taşıyın ve merdivenlerin kalan yansını yukarı doğru temizleyin.

VL2040 – Turbo fırçanın kullanılması

- ◆ Hız kontrol düğmesinin en üst ayarda olduğuna dikkat edin. Emme gücünü optimize etmek için fırçanın üstündeki sürgüyü gerektiği kadar hareket ettirin.
- ◆ Fırçayı muntazam olarak ileri ve geri hareket ettirin. Yüzeyle hasar verebileceğinden fırçayı uzun süre aynı yerde tutmayın.

Cihazın taşınması (şek. H)

Kullanım sırasında cihaz tutacak (4) kullanılmak suretiyle taşınabilir.

- ◆ Tutacağı şekilde gösterildiği gibi eğin.

Emme kafasını geçici olarak saklanması (şek. I)

- ◆ Emme kafasının geçici olarak saklanması için park konumunu (25) kullanın.

Cihazın saklanması (şek. J)

Uyarı! Cihazı saklarken, cihazı kapatın ve prizden çekin.

- ◆ Kordonun tama olarak sarılmış olduğuna emin olun.
- ◆ Cihazı dik konumda yerleştirin.
- ◆ Kafada ve boruda bulunan kabartma çizgileri, cihaz üzerindeki deliklere karşıt olarak şekilde gösterildiği gibi yerleştirmek suretiyle boruyu saklayın. Kilitleme cihazı (26) otomatik olarak devreye girmektedir.
- ◆ Cihazı kuru bir yerde saklayın. Cihaz birleşik tutacak (27) ile taşınabilir.
- ◆ Boruyu kullanmak için cihazdan çıkartmak için, kilitleme düğmelerinden bir tanesine basın ve boruyu ve kafayı saklama deliklerinden çıkartın.

Bakım

Black & Decker cihazınız, minimum bakım ile uzun süreli çalışabilecek şekilde tasarlanmıştır. Sürekli tatmin edici işletim, düzgün bir cihaz bakımı ve düzenli temizlemeye dayanmaktadır.

Uyarı! Cihazı bakıma almadan veya temizlemeden önce cihazın fişini prizden çekin.

- ◆ Yumuşak bir fırça veya kuru bir bez kullanarak düzenli olarak cihazınızdaki havalandırma deliklerini temizleyin.
- ◆ Nemli bir bez kullanarak motor muhafazasını düzenli olarak temizleyin. Aşındırıcı veya solventli temizleyici kullanmayın.

VL2040 – Turbo fırçanın temizlenmesi (şek. K)

- ◆ Fırçanın (28) üstünde toplanan saçları veya iplikleri temizleyin. Gerekliyse makas kullanın.
- ◆ Hava türbinini (30) tıkayan her türlü yabancı maddeyi çıkartmak için kapağı (29) kaldırmak. Kapağı yeniden takın.

Torbannın boşaltılması (şek. L & M)

Kırmızı torba ful göstergesi (17) yanıyor veya torba dolu gözüküyor ise torba (31) boşaltılmalıdır.

- ◆ Torbanın tutucu mandalını (32) serbest bırakarak ve torbayı tutacağından (33) kaldırarak torbayı cihazdan çıkartın (şek. L).
- ◆ Kapağı (5) torbadan (31) çıkartmak için kancayı (34) yavaşça geri çekin (şek. M).
- ◆ Torbayı gerektiği şekilde boşaltın.
- ◆ Aşağıda izah edildiği gibi filtreyi temizleyin.
- ◆ Kancanın (34) yerine tekrar tam oturduğuna dikkat ederek kapağı (5) tekrar takın.
- ◆ Mandal (32) yerine oturana kadar torbayı cihazın içine tekrar takın.

Temizleme

Uyarı! Temizlemeden ve bakım yapmadan önce, cihazı kapatın ve fişi prizden çekin.

- ◆ Zaman zaman cihazı nemli bir bez ile silin. Aşındırıcı veya solventli temizleyici kullanmayın. Cihazı suya sokmayın.

Torba filtresinin temizlenmesi (şek. L - O)

Torba filtresi, motor muhafazasına giren toz miktarını minimuma indirir. Filtre tekrar kullanılabilir ve düzenli olarak temizlenmelidir.

- ◆ Torbayı cihazın içinden çıkartın (şek. L).
- ◆ Kapağı (5) torbadan (31) çıkartın (şek. M).
- ◆ Filtreyi (35), filtre tutucudan (36) dışarı çekin (şek. N).
- ◆ Filtreyi hafifçe bir çöp kutusuna vurmak suretiyle fazla tozu silkeleyin.
- ◆ Fırça (14) kullanarak filtrenin (35) katlarını dikkatlice temizleyin (şek. O).

Uyarı! Filtreyi temizlemek için fırçalamayın veya basınçlı hava kullanmayın.

- ◆ Filtrenin durumuna göre, filtrenin dış kısmını su ile silin. Filtreyi tekrar yerine takmadan önce kuruması için 24 saat bekleyin.

Uyarı! Filtrenin iç kısmını su ile yıkamayın.

- ◆ Filtreyi değiştirin.
- ◆ Kapağı yeniden takın.
- ◆ Torbayı cihazın içine tekrar takın.

Motor filtresinin temizlenmesi (şek. L & P)

Torba çıkartıldığı zaman, motor filtresi parçacıkların ve daha büyük nesnelere motor muhafazasına girmesini engeller. Filtre tekrar kullanılabilir ve düzenli olarak temizlenmelidir.

- ◆ Torbayı cihazın içinden çıkartın (şek. L).
- ◆ Filtreyi (37) çıkartın (şek. P).
- ◆ Filtredeki seyrek tozları fırçalayın.
- ◆ Filtreyi tekrar yerine takın.
- ◆ Torbayı cihazın içine tekrar takın.

Filtrelerin değiştirilmesi (şek. L - Q)

Torba filtresi hasar gördü ise veya düzgün olarak çalışmıyor ise değiştirilmelidir. Torba filtresini değiştirirken, motor filtresi ve çıkış filtreleri de aynı zamanda değiştirilmelidir. Yeni filtre setleri Black & Decker satıcılarından temin edilebilir (katalog no. VLF10).

Torba filtresinin değiştirilmesi (şek. L - N)

- ◆ Filtreyi (35) değiştirmek için yukarıda açıklanan şekilde işlemi yapın.

Motor filtresinin değiştirilmesi (şek. L & P)

- ◆ Filtreyi (37) değiştirmek için yukarıda açıklanan şekilde işlemi yapın.

Çıkış filtrelerinin değiştirilmesi (şek. Q & R)

- ◆ Kapağı (38) açın.
- ◆ Eski filtreleri (39) çıkartın.
- ◆ Yeni filtreleri şekilde gösterildiği gibi takın.
- ◆ Kapağı kapatın.

VL2040 – Kömür filtresinin değiştirilmesi

Kömür filtresi, motor muhafazasından çıkan havadaki kokuları ve dumanı yok eder. Filtre, her 6 ila 9 ayda bir ve yıprandığı veya hasar gördüğü zaman değiştirilmelidir. Yeni filtre setleri Black & Decker satıcılarından temin edilebilir (katalog no. VBF40).

- ◆ Filtreyi (40) değiştirmek için yukarıda açıklanan şekilde işlemi yapın.

Çevreyi koruma

Ayrı biriktirme. Bu ürün normal ev atıkları ile çöpe atılmamalıdır.

Black & Decker ürününüz şayet bir gün değiştirilmesi gerekiyor ise, veya bundan böyle sizin için kullanılmayacak ise bu aleti normal ev atıkları ile çöpe atmayın. Bu ürünü ayrı bir biriktirme için ayırın.



Kullanılmış ürünlerin ayrıca biriktirilmesi ve paketlenmesi malzemelerin yeniden dönüşümüne ve yeniden kullanımına izin vermektedir. Yeniden dönüşümü olan malzemelerin yeniden kullanımı, çevre kirliliğini önlenmesine yardım etmekte ve ham maddeye olan talebi indirgemektedir.

Yerel yönetmelikler, yeni bir ürün satın aldığınız zaman, belediye atık bölgelerinde veya perakendeciler tarafından evlerden elektrikli aletlerin ayrı olarak biriktirilmesini sağlayabilir.

Black & Decker ürünleri çalışma ömürlerini tamamladıklarında, Black & Decker bunların geri kazandırılması ve biriktirilmesi için kolaylıklar sağlamaktadır. Bu hizmetten yararlanmak için elinizdeki ürünü, bizim yerimize ürünleri toplayan yetkili bir tamir servisine götürün.

Bu kılavuzda belirtilen adresteki yerel Black & Decker ofisine başvurarak size en yakın yetkili tamir servisinin yerini öğrenebilirsiniz. Alternatif olarak aşağıdaki Internet adresinden, Black & Decker yetkili tamir servislerinin listesini ve satış sonrası hizmet veren yetkililerin tam detaylarını öğrenebilirsiniz. www.2helpU.com

Teknik veriler

	VL1620	VL1840	VL2000	VL2040
Voltaj	V 230	230	230	230
Güç girişi	1.600	1.800	2.000	2.000
Kablo uzunluğu	m 6	6	6	6
Hazne büyüklüğü	I 2,5	2,5	2,5	2,5
Ağırlık	kg 6,4	6,4	6,7	6,7

EC'ye uygunluk beyanı

VL1620/VL1840/VL2000/VL2040

Black & Decker firması ürünlerinin

89/336/EEC, 73/23/EEC, EN 55014, EN 61000, EN 60335,

EN 61000-3-11

normuna uyduğunu beyan eder.

Kevin Hewitt

Director of Consumer Engineering

Spennymoor, County Durham DL16 6JG,

İngiltere

1-12-2005

UK patent uygulama numaraları 0314945.7; 0314930.9;
0317674.0; 0314932.5

UK tasarım uygulama numarası 3 013 970

Avustralya tasarım uygulama numarası 483/04

Avrupa Topluluğu tasarım uygulama numarası 131 651

Çin tasarım uygulama numarası 200430002048

US tasarım uygulama numarası 29/199,056

Garanti

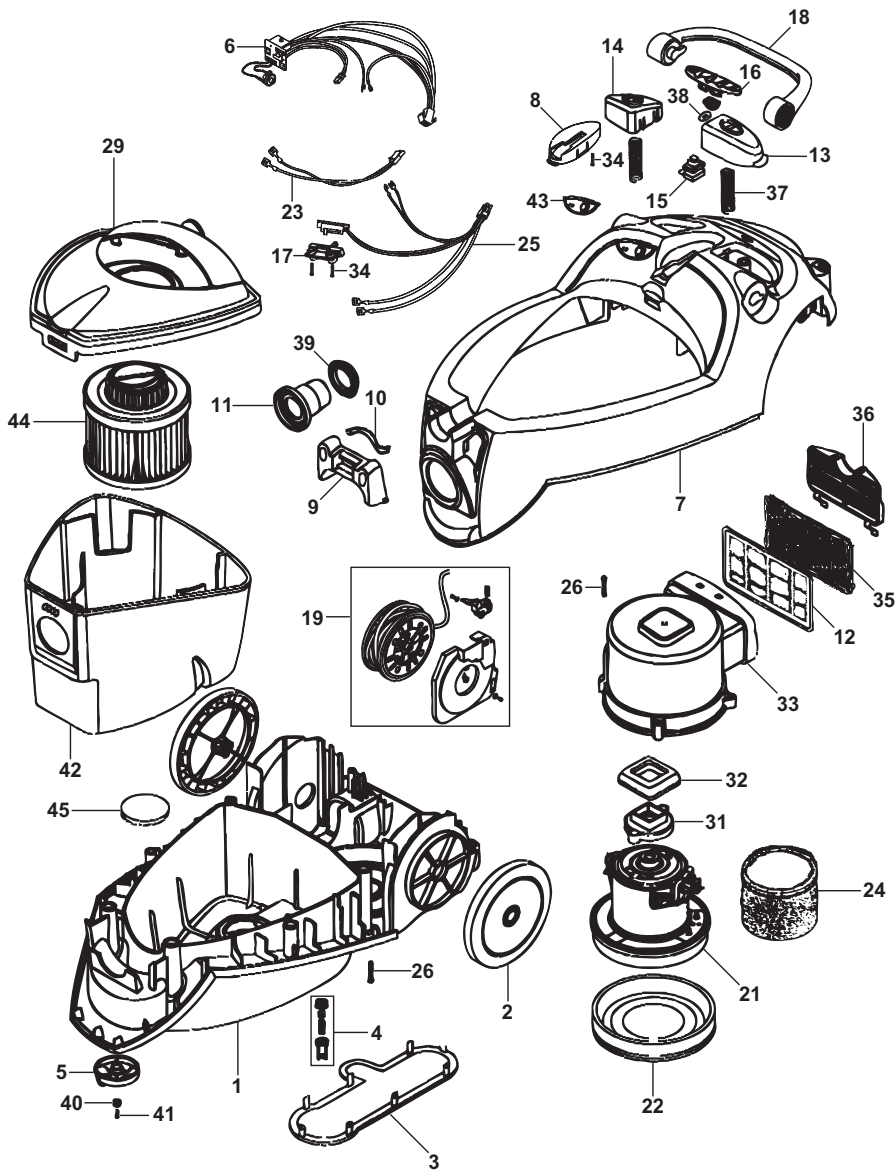
Black & Decker, ürünün kalitesinden emindir ve ürün için üstün bir garanti sunar. Ayrıca bu garanti belgesi, hiçbir şekilde kanuni haklarınızın olmasını gerektirmez.

Eğer bir Black & Decker ürünü, hatalı malzeme ve işçilik nedeniyle bozulursa, satın alma tarihinden 24 ay içinde müşteriye mümkün olabilecek en az sorunu yaşatabilmek için Black & Decker hatalı kısımları değiştirmeyi, belirgin bir şekilde yıpranmış veya hasar görmüş kısımları onarmayı veya değiştirmeyi kabul eder; ancak bu belirtilenler şu durumlar dışında geçerlidir:

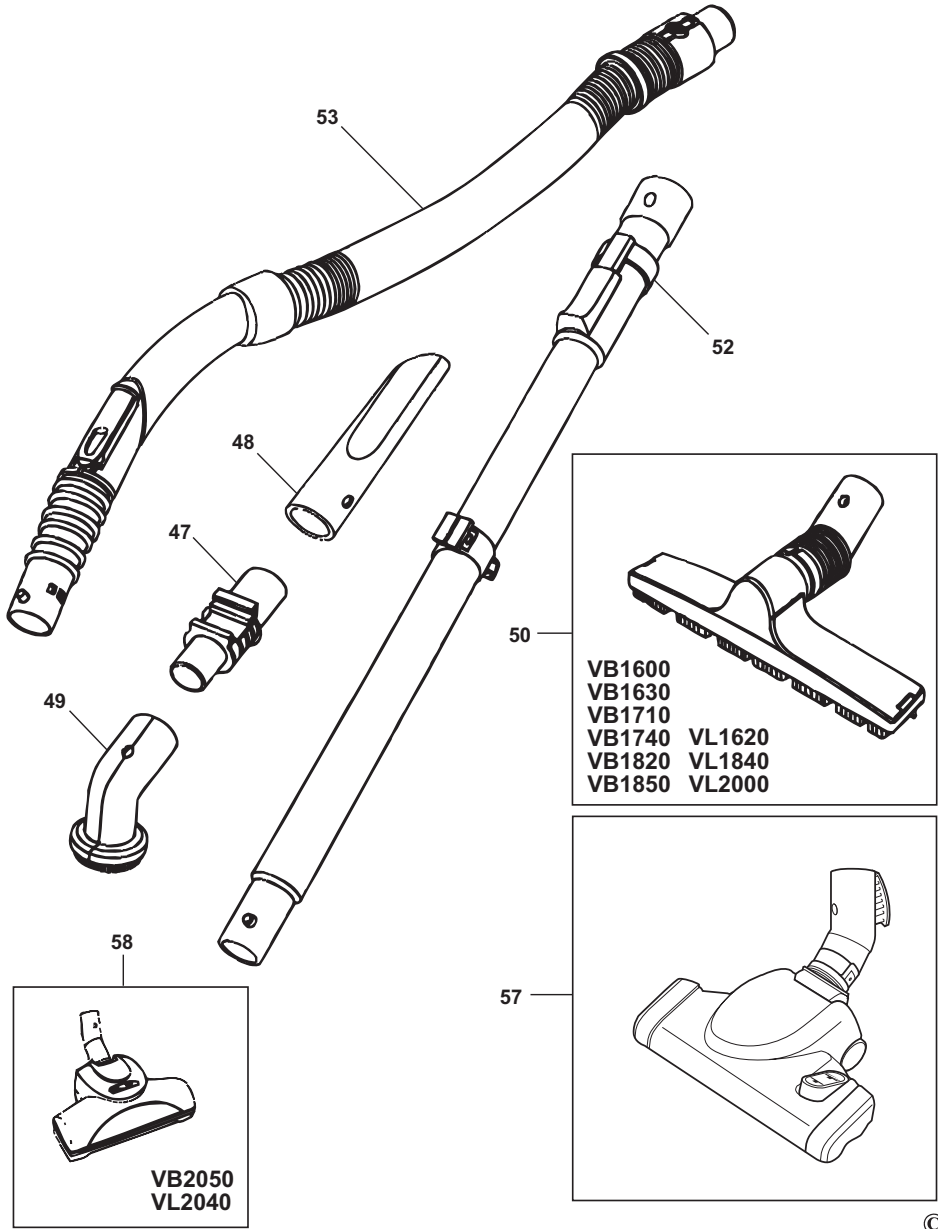
- Ürün ticari veya profesyonel amaçlarla kullanılmışsa veya kiraya verilmişse;
- Ürün yanlış veya amaç dışı kullanılmışsa;
- Ürün yabancı nesnelere, maddelere veya kaza sırasında zarar görmüşse;
- Yetkili tamir servisleri veya Black & Decker servis ekibinden başkası tarafından tamir yapılmaya kalkışılmışsa.

Garanti talebinde bulunmak için, satıcıya veya yetkili tamir servisine satın aldığımızı dair ispat sunmalısınız. Bu kılavuzda belirtilen adresteki yerel Black & Decker ofisine başvurarak size en yakın yetkili tamir servisinin yerini öğrenebilirsiniz. Ya da, Internet'te Black & Decker yetkili tamir servislerinin listesini ve satış sonrası hizmet veren yetkililerin tam detaylarını öğrenebilirsiniz. Bu site: www.2helpU.com adresindedir.

Yeni ürünler ve özel imkanlar hakkında sürekli güncel bilgi almak için lütfen www.blackanddecker.com adresinde bulunan web sitemize kayıt olun. Black & Decker markası ve ürün yelpazemiz hakkında daha fazla bilgi www.blackanddecker.com adresinde bulunmaktadır.



©



E13853

www.2helpU.com

18-10-05

Australia	Black & Decker (Australia) Pty. Ltd. 20 Fletcher Road, Mooroolbark, Victoria, 3138	Tel. 03-8720 5100 Fax 03-9727 5940
Belgique/België	Black & Decker (Belgium) N.V. Campus Noord, Schaliënhoevedreef 20E 2800 Mechelen	Tel. 015 - 47 92 11 Fax 015 - 47 92 10
Danmark	Black & Decker Hejrevang 26B, 3450 Allerød Internet: www.blackdecker.dk	Tel. 70 20 15 10 Fax 48 14 63 30
Deutschland	Black & Decker GmbH Black & Decker Str. 40, D - 65510 Idstein	Tel. 06126/21 - 0 Fax 06126/21 29 80
Ελλάδα	Black & Decker (Ελλάς) Α.Ε. Στράβωνος 7 & Λεωφ. Βουλιαγμένης 159 166 74 Γλυφάδα - Αθήνα	Τηλ. 210 8981616 Τηλ. 210 8982630 Φαξ Service 210 8983285
España	Black & Decker Ibérica, S.C.A. Parque de Negocios "Mas Blau" Edificio Muntadas, c/Bergadá, 1, Of. A6 08820 El Prat de Llobregat (Barcelona)	Tel. 934 797 400 Fax 934 797 419
France	Black & Decker (France) S.A.S. B.P. 21, 69571 Dardilly Cédex	Tel. 04 72 20 39 20 Fax 04 72 20 39 00
Helvetia	ROFO AG Gewerbezone Seeblick 3213 Kleinbödingen	Tel. 026-6749391 Fax 026-6749394
Italia	Black & Decker Italia SpA Viale Elvezia 2 20052 Monza (MI)	Tel. 039-23871 Fax 039-2387592/2387594 Numero verde 800-213935
Nederland	Black & Decker Benelux Joulehof 12, 4622 RG Bergen op Zoom	Tel. 0164 - 283000 Fax 0164 - 283100
New Zealand	Black & Decker 81 Hugo Johnston Drive Penrose, Auckland, New Zealand	Tel. 09 579 7600 Fax 09 579 8200
Norge	Black & Decker (Norge) A/S Postboks 248, Leirdal, 1011 Oslo Internet: www.blackdecker.no	Tlf. 22 90 99 00 Fax 22 90 99 01
Österreich	Black & Decker Vertriebsges.m.b.H Erlaaerstraße 165, 1231 Wien	Tel. 01 66116-0 Fax 01 66116-14
Portugal	Black & Decker Rua Egas Moniz 173 S. João do Estoril 2766-651 Estoril	Tel. 214667500 Fax 214667575
Suomi	Black & Decker Oy Palotie 3, 01610 Vantaa Black & Decker Oy, Brandvägen 3, 01610 Vanda	Puh: (09) 825 4540 Fax: (09) 8254 5444 Tel: (09) 825 4540 Fax: (09) 8254 5444
Sverige	Black & Decker AB Box 603, 421 26 Västra Frölunda, Besöksadr. Ekonomivägen 11	Tel: 031-68 60 00 Fax: 031-68 60 08
Türkiye	İntratek Mühendislik ve Dış Tic. A.Ş. Atatürk Mah. Girne Cad. No. 45 34750 Küçükbakkalköy Kadıköy İstanbul	Tel. 0216 456 60 60 Faks 0216 456 60 84
United Kingdom	Black & Decker 210 Bath Road Slough, Berkshire SL1 3YD	Tel. 01753 511234 Fax 01753 551155 Helpline 01753 574277
Middle East & Africa	Black & Decker (Overseas) A.G. PB 5420, Dubai, United Arab Emirates	Tel. +971 4 2826464 Fax +971 4 2826466

- ◆ GUARANTEE CARD
- ◆ GARANTIEKART
- ◆ GARANTI KORT
- ◆ GARANTIEKARTE
- ◆ TARJETA DE GARANTIA
- ◆ GARANTI KORT
- ◆ CARTE DE GARANTIE
- ◆ CARTÃO DE GARANTIA
- ◆ TAKUKORTTI
- ◆ TAGLIANDO DI GARANZIA
- ◆ GARANTIBEVIS
- ◆ KAPTA EFTYHSHZ

12/05



English

Please complete this section immediately after the purchase of your tool and send it to Black & Decker in your country. If you live in Australia or New Zealand, please register by using the alternative guarantee card supplied.

Deutsch

Bitte schneiden Sie diesen Abschnitt ab, stecken ihn in einen frankierten Umschlag und schicken ihn an die Black & Decker Adresse Ihres Landes.

Français

Découpez cette partie et envoyez-la sous enveloppe timbrée à l'adresse de Black & Decker dans votre pays, ceci immédiatement après votre achat.

Italiano

Per favore ritagliate questa parte, inseritela in una busta con francobollo e speditea subito dopo l'acquisto del prodotto all'indirizzo della Black & Decker nella vostra nazione.

Nederlands

Knip dit gedeelte uit en zend het direct na aankoop in een getrankeerde, geadresseerde envelop naar het adres van Black & Decker in uw land.

Español

Después de haber comprado su herramienta envíe usted, por favor, esta tarjeta a la central de Black & Decker en su país.

Português

Por favor, recorte esta parte, coloque-a num envelope selado e enderegado e envie-o logo após a compra do seu produto para o endereço da Black & Decker do seu país.

Svenska

Var vänlig klipp ur denna del och sänd den i ett frankerat kuvert till Black & Deckers adress i Ditt land.

Norsk

Vennligst klipp ut denne delen umiddelbart etter du har pakket ut ditt produkt og legg det i en adressert konvolutt til Black & Decker (Norge) A/S.

Dansk

Venligst klip denne del ud og send frankeret til Black & Decker i dit land.

Suomi

Leikkaa irti tämä osa, laita se kuoreen ja postita kuori paikalliseen Black & Decker osastoeseen.

Ελληνικά

Το αμέσως μετά την αγορά του προϊόντος σας στην διεύθυνση της Black & Decker στην Ελλάδα.