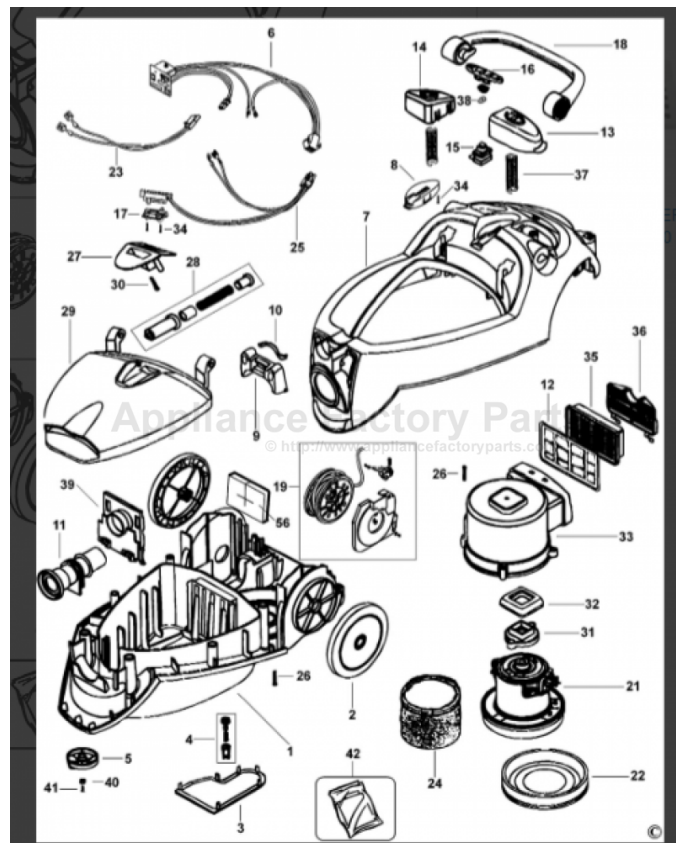


This Owner's Manual is provided and hosted by [Appliance Factory Parts](#).



# Black & Decker VB1600 Owner's Manual

[Shop genuine replacement parts for Black & Decker  
VB1600](#)



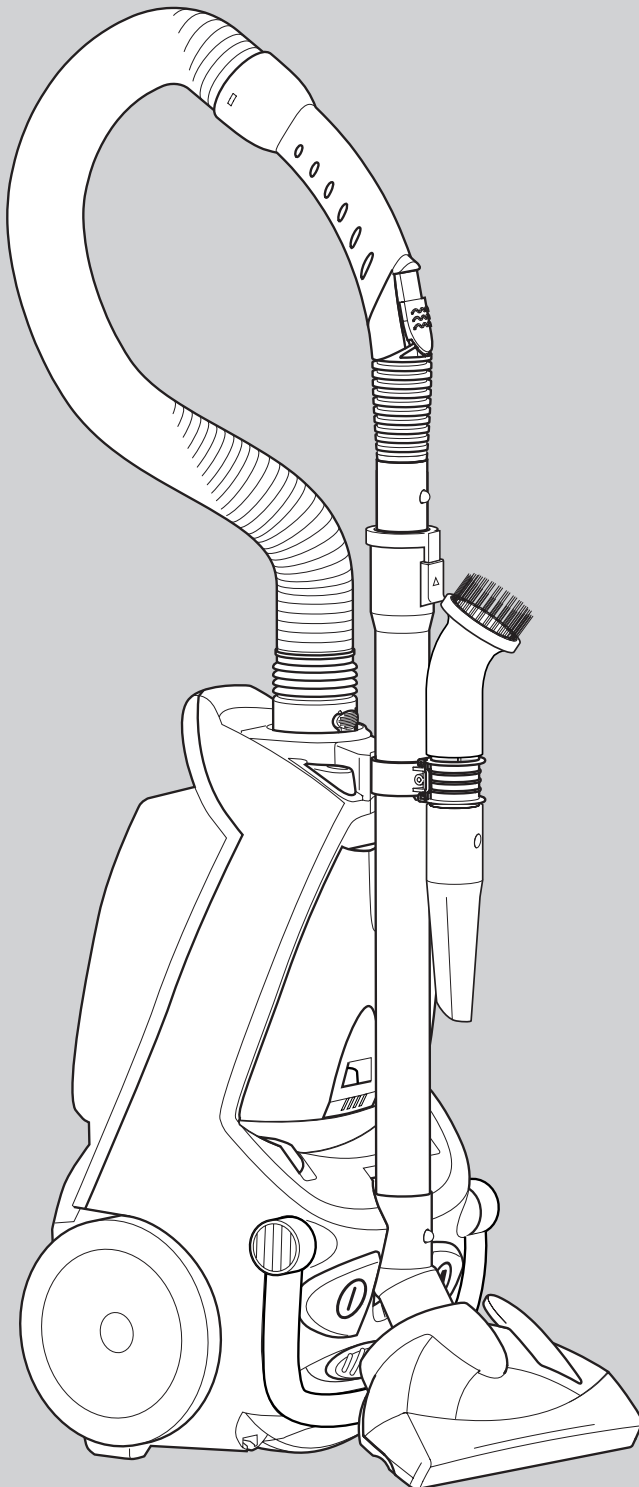
[Find Your Black & Decker Vacuum Cleaner Parts - Select From 339 Models](#)

----- Manual continues below -----



**BLACK &  
DECKER**®

www.blackanddecker.co.uk



**VB1600**

**VB1630**

**VB1710**

**VB1740**

**VB1820**

**VB1850**

**UK**

---

**Ireland**

---

**Australia**

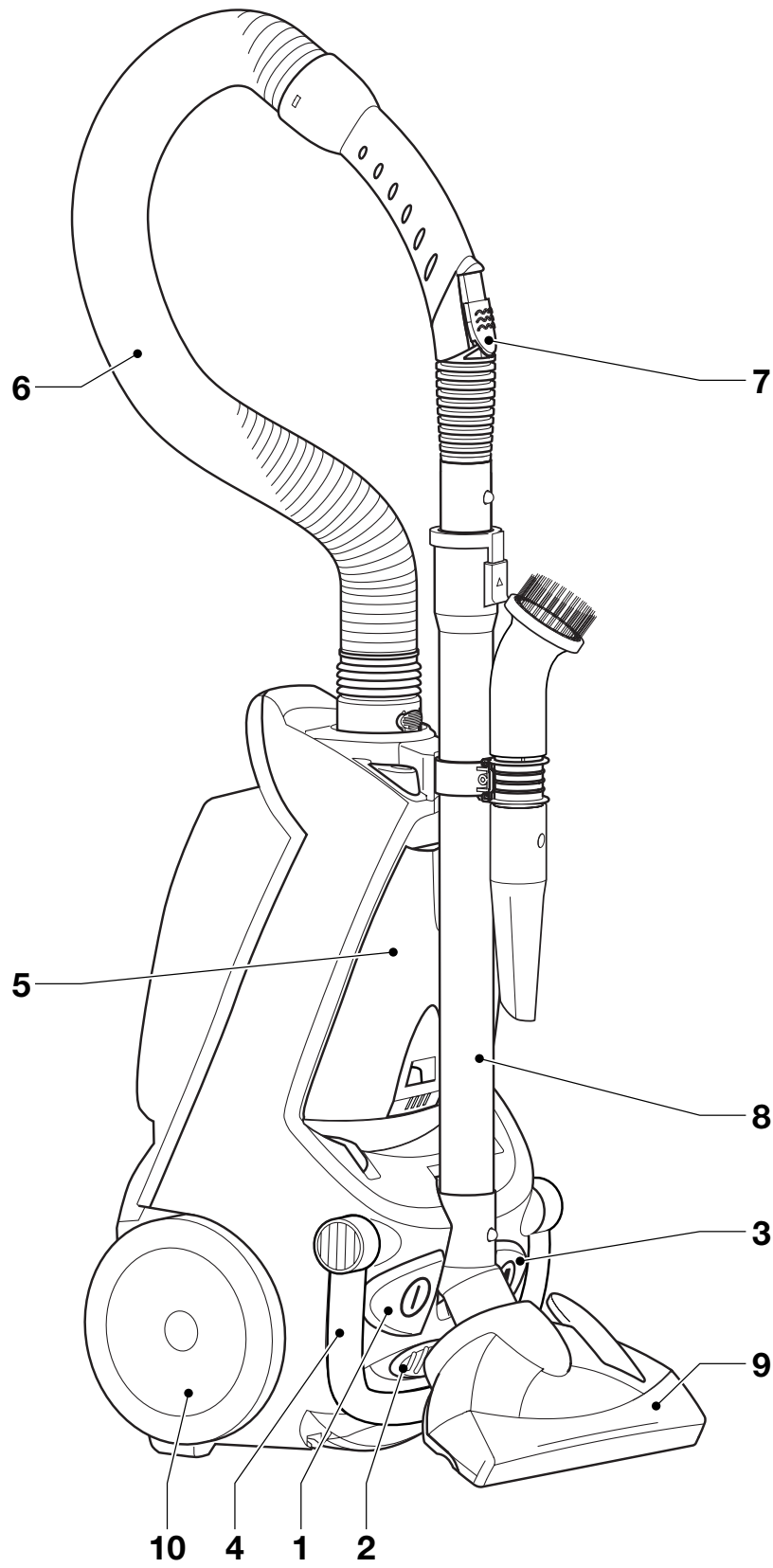
---

**New Zealand**

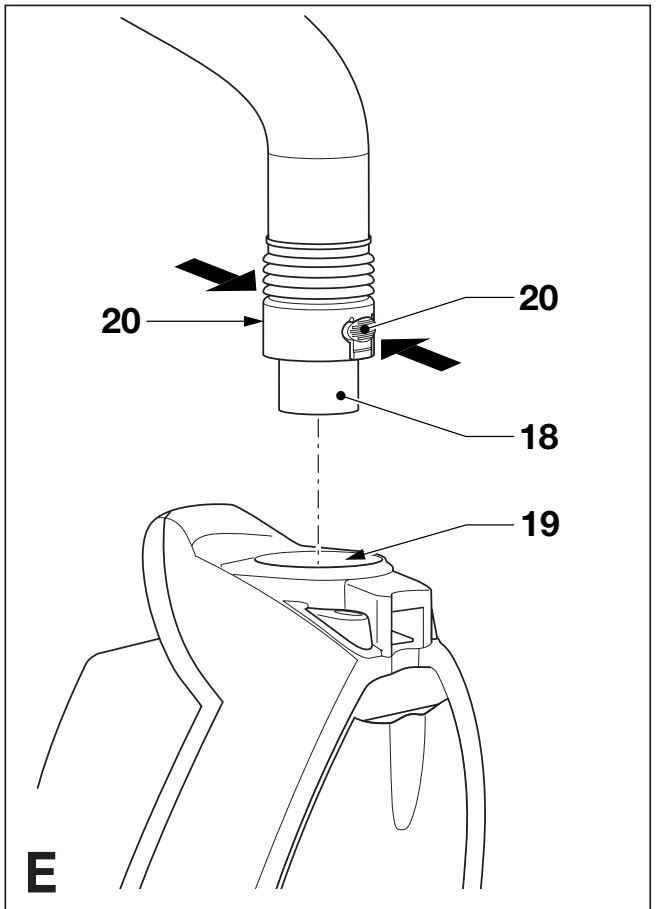
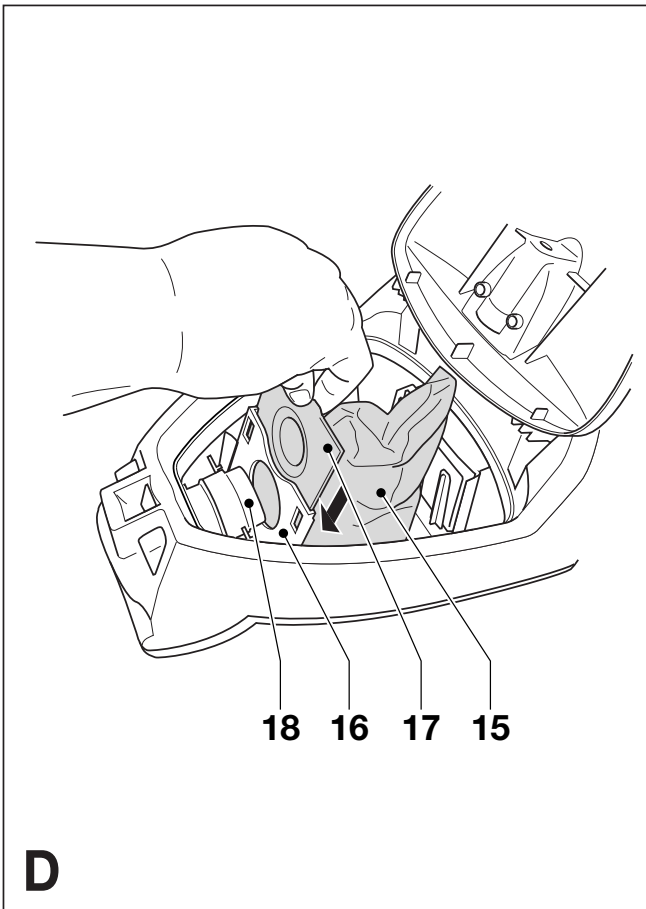
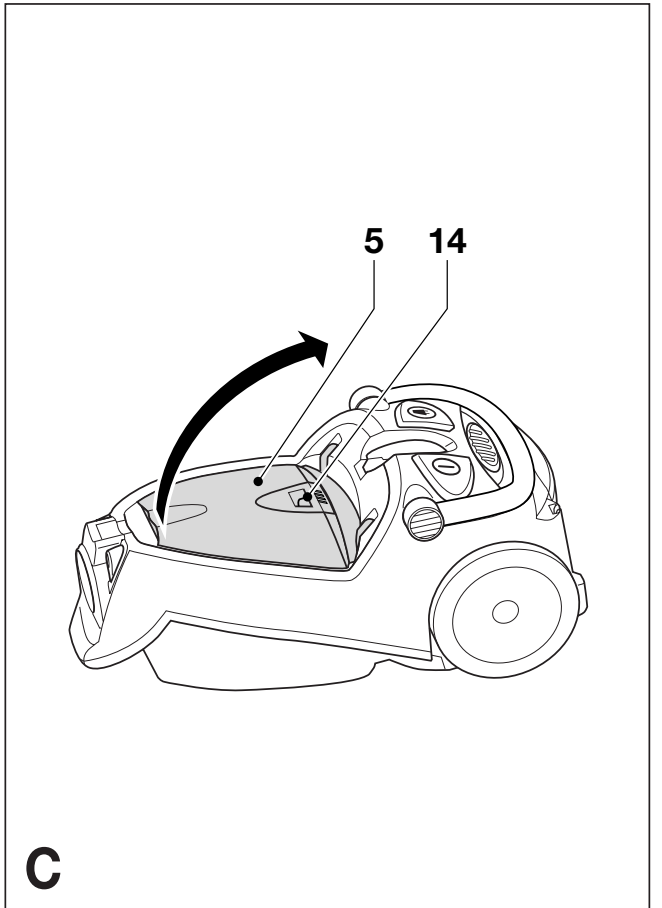
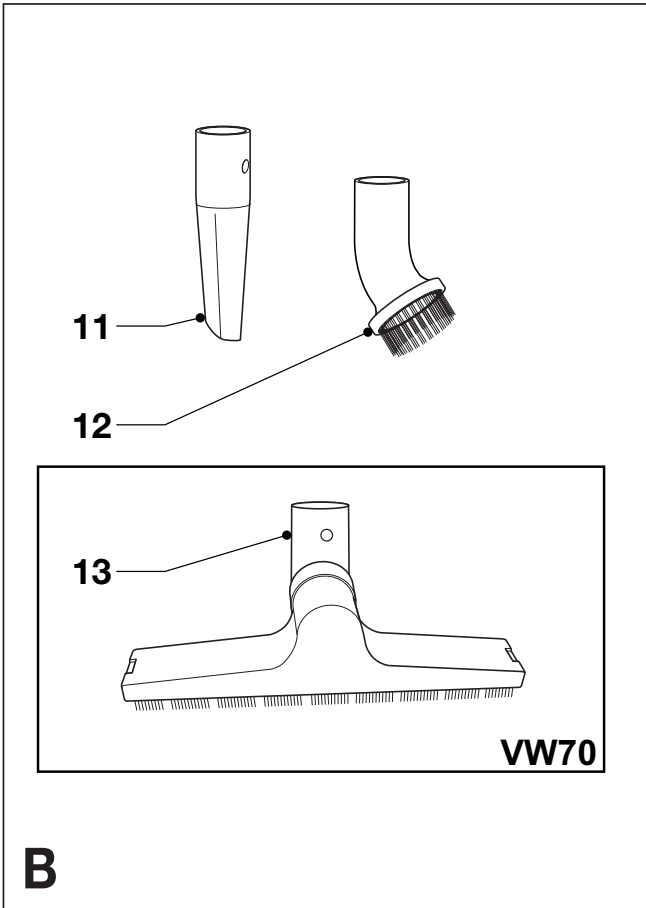
---

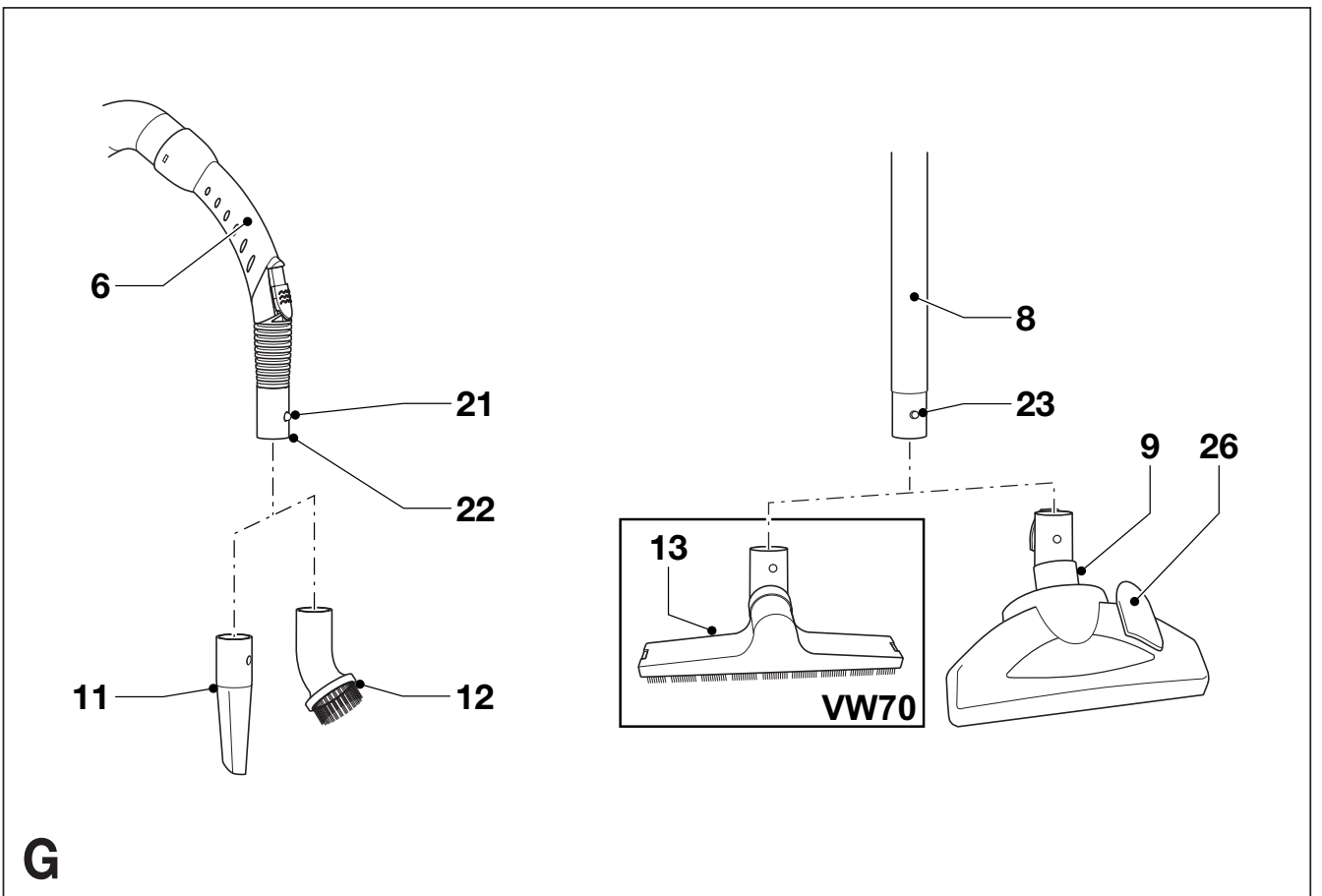
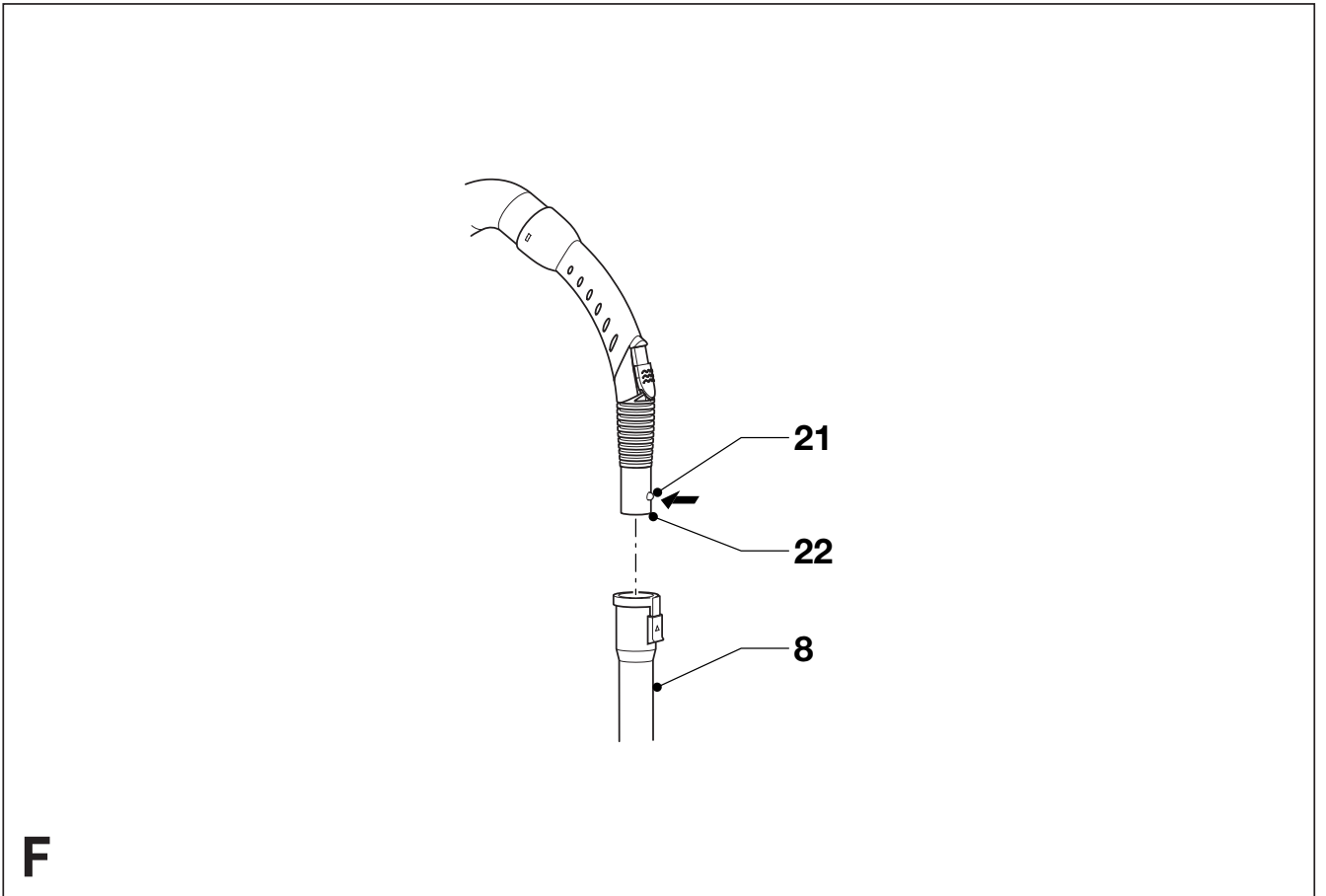


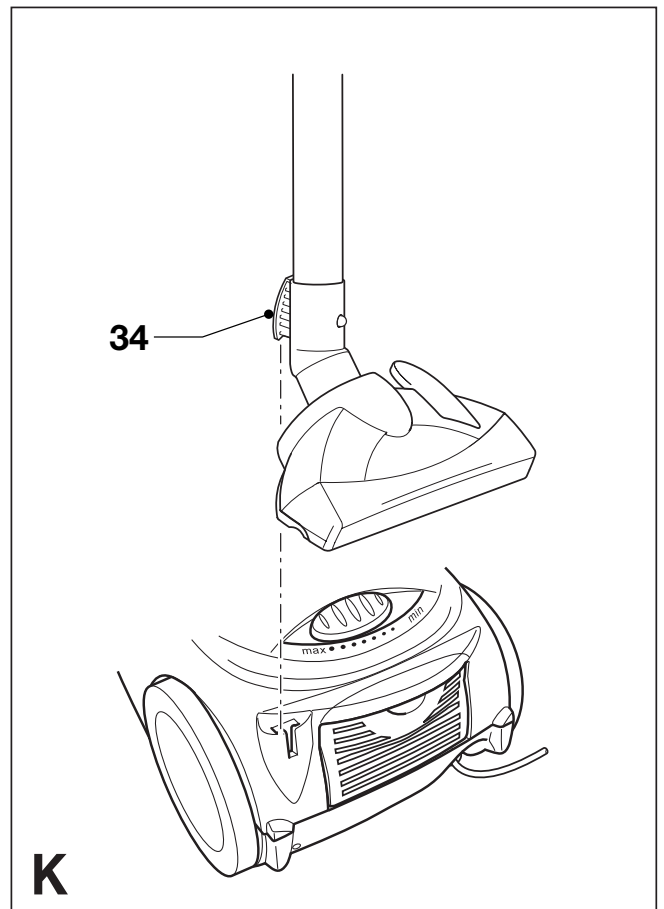
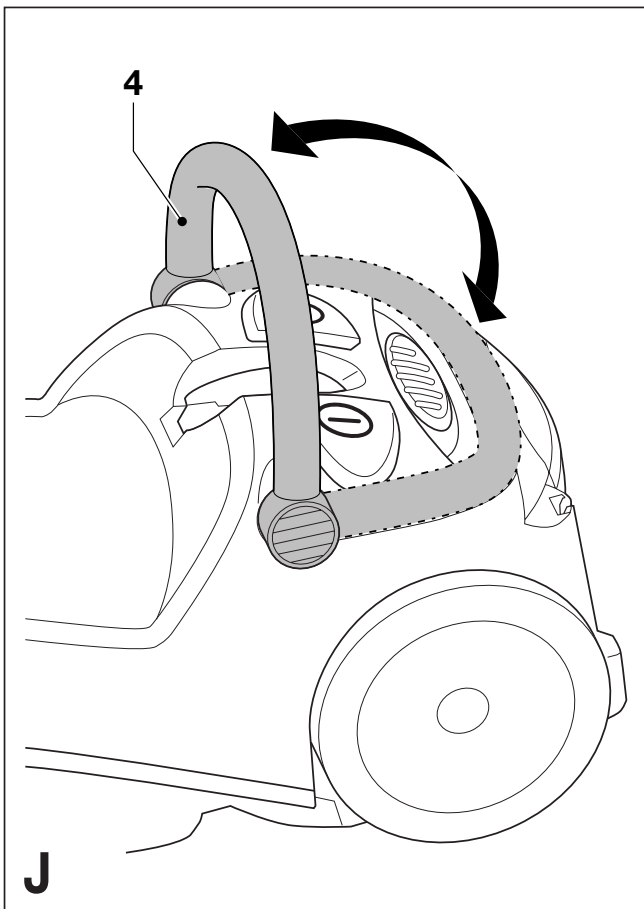
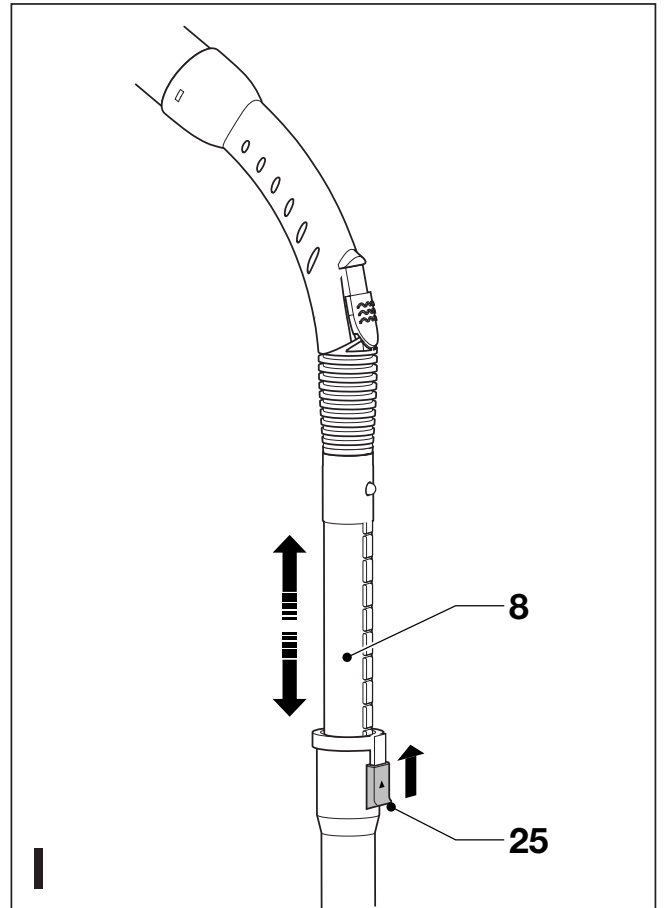
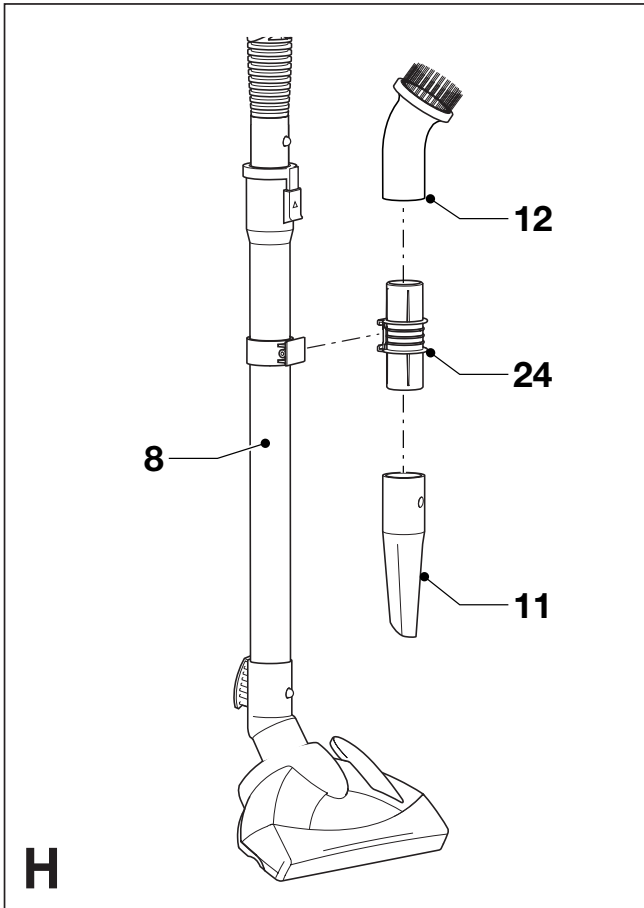
Copyright Black & Decker

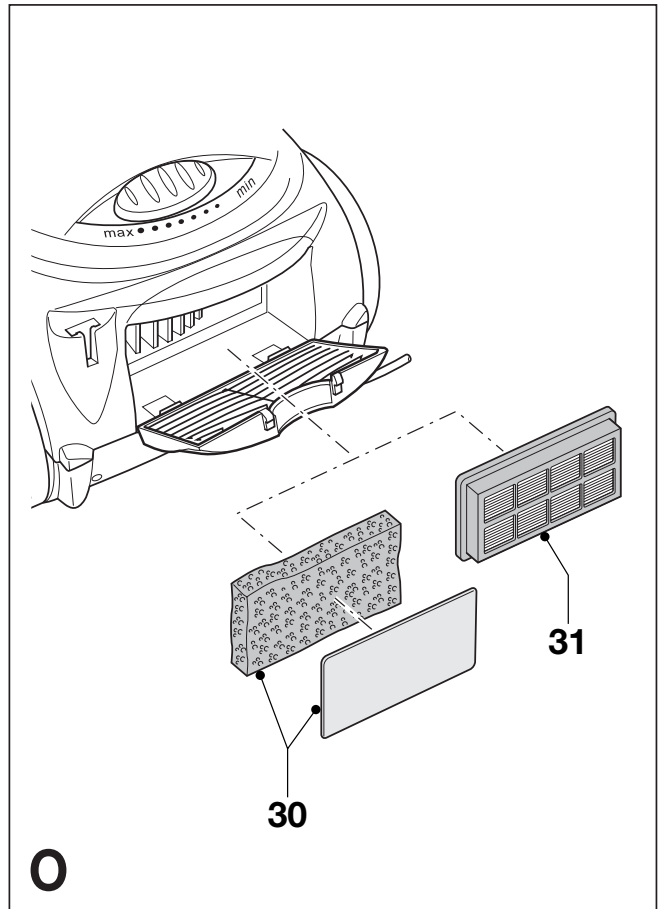
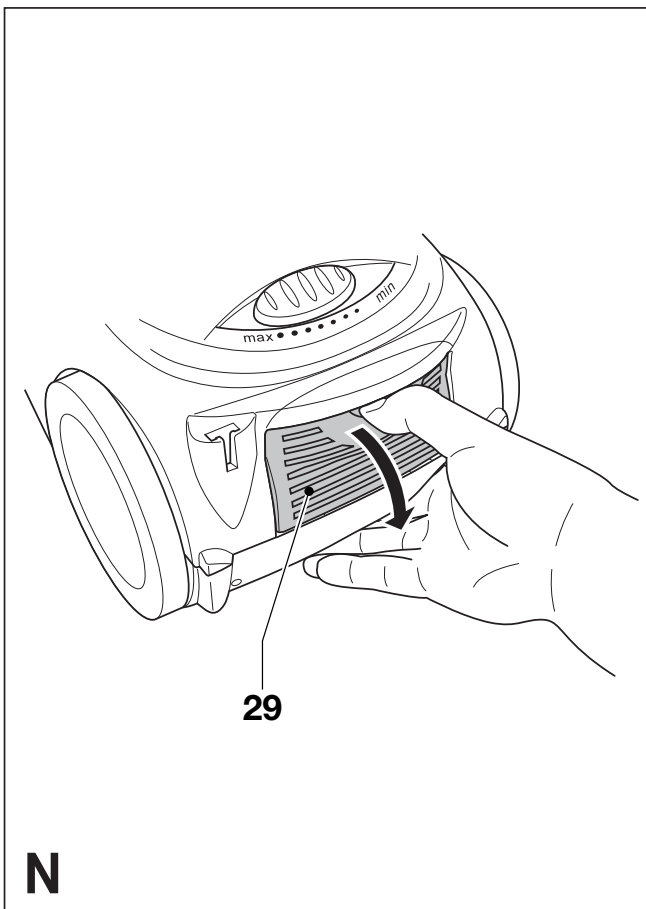
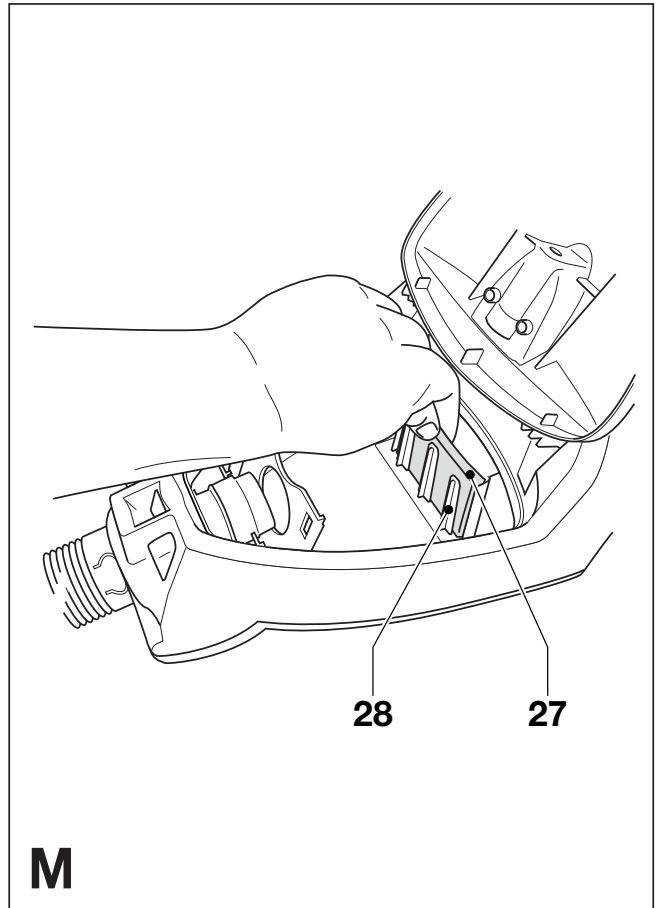
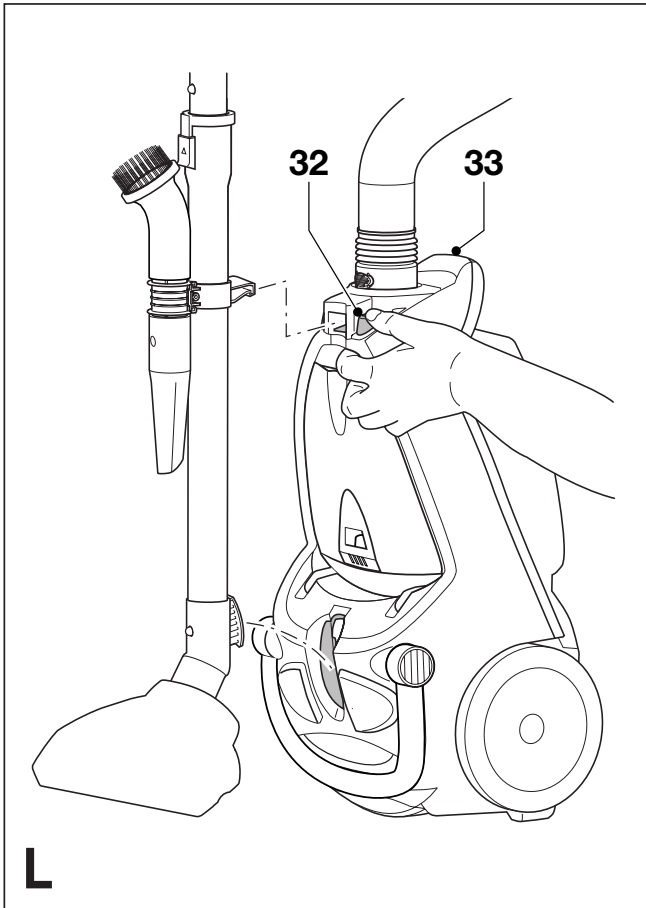


**A**









## Intended use

Your Black & Decker vacuum cleaner has been designed to vacuum dry substances. This product is intended for household use only.

## Safety instructions

- ◆ **Warning!** When using mains-powered appliances, basic safety precautions, including the following, should always be followed to reduce the risk of fire, electric shock, personal injury and material damage.
- ◆ Read all of this manual carefully before using the appliance.
- ◆ The intended use is described in this manual. The use of any accessory or attachment or the performance of any operation with this appliance other than those recommended in this instruction manual may present a risk of personal injury.
- ◆ Retain this manual for future reference.

## Using your appliance

- ◆ Make sure that the appliance is switched off before connecting to or disconnecting from the power supply.
- ◆ Always take care when using the appliance.
- ◆ Do not use the appliance outdoors.
- ◆ Never pull the power supply cord to disconnect the plug from the socket. Keep the power supply cord away from heat, oil and sharp edges.
- ◆ If the power supply cord is damaged during use, disconnect the appliance from the power supply immediately. Do not touch the power supply cord before disconnecting from the power supply.
- ◆ Disconnect the appliance from the power supply when not in use, before fitting or removing parts and before cleaning.

## Safety of others

- ◆ Do not allow children or any person unfamiliar with these instructions to use the appliance.
- ◆ Do not allow children or animals to come near the work area or to touch the appliance or power supply cord. Close supervision is necessary when the appliance is used near children.

## After use

- ◆ Switch off and remove the plug from the socket before leaving the appliance unattended and before changing, cleaning or inspecting any parts of the appliance.
- ◆ When not in use, the appliance should be stored in a dry place. Children should not have access to stored appliances.

## Inspection and repairs

- ◆ Before use, check the appliance for damaged or defective parts. Check for breakage of parts, damage to switches and any other conditions that may affect its operation.

- ◆ Do not use the appliance if any part is damaged or defective.
- ◆ Have any damaged or defective parts repaired or replaced by an authorised repair agent.
- ◆ Before use, check the power supply cord for signs of damage, ageing and wear.
- ◆ Do not use the appliance if the power supply cord or mains plug is damaged or defective.
- ◆ If the power supply cord or mains plug is damaged or defective it must be repaired by an authorised repair agent in order to avoid a hazard. Do not cut the power supply cord and do not attempt to repair it yourself.
- ◆ Never attempt to remove or replace any parts other than those specified in this manual.

## Double insulation



This appliance is double insulated; therefore no earth wire is required. Always check that the power supply corresponds to the voltage on the rating plate.

## Additional safety instructions for Australia and New Zealand

- ◆ This appliance is not intended for use by young or infirm persons without supervision. Children must be supervised to ensure they do not play with the appliance.
- ◆ If the supply cord is damaged, it must be replaced by the manufacturer or an authorised Black & Decker Service Centre in order to avoid a hazard.

## Additional safety instructions for vacuum cleaners

- ◆ Do not use the appliance to pick up liquids.
- ◆ Do not use the appliance to pick up any materials that could catch fire.
- ◆ Do not use the appliance near water. Do not immerse the appliance in water.
- ◆ Keep the motor draught away from your eyes and face.
- ◆ Keep children and animals at a safe distance when using this appliance.
- ◆ Always work from bottom up when using the appliance on stairs, and keep the appliance at least a stair below your working position.
- ◆ Do not use the appliance without the suction head or another suitable accessory mounted to the tube.
- ◆ Use only Black & Decker accessories.

## Features

This appliance includes some or all of the following features (fig. A).

1. On/off switch
2. Speed control switch (VB1630/VB1740/VB1820/VB1850)
3. Cord rewind button
4. Handle
5. Cover

6. Hose
7. Airflow control switch
8. Extension tube
9. Suction head
10. Wheels

In addition, this appliance is supplied with some or all of the following accessories (fig. B):

11. Crevice tool
12. Brush tool
13. Parquet floor head (VB1630/VB1740/VB1850)

The parquet floor head is not included with all models. This accessory is available from your Black & Decker dealer / service centre (cat. no. VV70).

## Assembly

### Fitting the dustbag (fig. C & D)

**Warning!** Before first use, make sure to fit a dustbag.

- ◆ Open the cover (5) as shown (fig. C).
- ◆ Place a dustbag (15) in the dustbag holder (16).
- ◆ Align the dustbag collar (17) with the inlet (18) (fig. D).
- ◆ Make sure that the inlet protrudes into the dustbag collar.
- ◆ Close the cover.

### Connecting the hose (fig. E)

- ◆ Insert the hose connector (18) into the inlet (19) of the appliance.
- ◆ Slide the hose further until the release buttons (20) click into place.
- ◆ To disconnect the hose, press the release buttons and pull out the hose.

### Mounting the extension tube (fig. F)

- ◆ Press the lock button (21) and slide the hose nozzle (22) into the tube (8) until it clicks into place.
- ◆ To remove the tube, press the lock button and pull the hose out of the tube.

### Mounting the suction head (fig. G)

The suction head (9) allows for vacuuming on carpet and hard surfaces (e.g. laminate and tiles).

- ◆ Press the lock button (23) and slide the tube (8) into the head (9) until it clicks into place.
- ◆ To remove the head, press the lock button and pull the tube out of the head.

### VB1630/VB1740/VB1850 - Mounting the parquet floor head (fig. G)

The parquet floor head (13) allows for vacuuming on wooden and polished surfaces.

- ◆ Press the lock button (23) and slide the tube (8) into the head until it clicks into place.
- ◆ To remove the head, press the lock button and pull the tube out of the head.

### Mounting accessories (fig. G & H)

The crevice tool (11) allows for vacuuming in narrow and hard-to-reach places. The brush tool (12) allows for vacuuming on furniture, blinds, curtains, windows and stairs.

The accessories can be mounted on both the hose (6) and the tube (8). When not in use, the accessories can be stored in the accessory holder (24).

- ◆ Remove the accessory from the holder (fig. H).
- ◆ Press the lock button (21 or 23) and slide the accessory onto the hose nozzle (22) or the tube (8) (fig. G).
- ◆ To remove an accessory, press the lock button (21 or 23) and pull the accessory off.

## Use

### Unwinding and rewinding the cord (fig. A)

The cord rewind button (3) can be operated by hand or foot.

- ◆ Before use, pull a sufficient length of cord from the back of the appliance.
- ◆ After use, press the cord rewind button to store the cord back into place. Manually guide the cord to ensure it does not swing back. Ensure the plug is correctly located.

### Adjusting the length of the tube (fig. I)

The extension tube (8) can be adjusted in 21 steps.

- ◆ Engage the adjustment knob (25) and slide the tube to the desired length.
- ◆ Release the knob.

### Adjusting the suction head (fig. G)

- ◆ For vacuuming on carpets, switch the floor surface selector (26) into the up position.
- ◆ For vacuuming on laminates, tiles, etc., switch the floor surface selector into the down position.

### Switching on and off (fig. A)

The on/off switch (1) can be operated by hand or foot.

- ◆ To switch the appliance on, press the on/off switch (1).
- ◆ To switch the appliance off, press the on/off switch again.

### VB1630/VB1740/VB1820/VB1850 - Setting the suction force (fig. A)

The speed control switch (2) allows for a precise setting of the suction force.

- ◆ Slide the speed control switch (2) to the desired setting.
- ◆ For vacuuming on hard surfaces (e.g. floors), choose a high speed setting.

- ◆ For vacuuming on soft surfaces (e.g. upholstery), choose a low speed setting.

### Adjusting the airflow (fig. A)

- ◆ Move the airflow control switch (7) to adjust the airflow as desired.

### Vacuuming

- ◆ When operating the appliance, make sure that the hose is not trapped, twisted or blocked.
- ◆ In case of overheating, a cut-out will operate and the appliance will automatically stop.
- ◆ If the appliance stops operating, unplug the appliance and allow it to cool for 2 - 3 hours.

### Hints for optimum use

- ◆ When working in confined spaces, temporarily remove the accessory holder from the tube to improve your scope.
- ◆ When vacuuming stairs, always start at the bottom and work your way up. Position the appliance on the floor and do the stairs until halfway. Then carry the appliance to a stable position which is at least one stair below your working position, and do the top half of the stairs.

### Carrying the appliance (fig. J)

During use the appliance can be carried using the handle (4).

- ◆ Tilt the handle into position as shown.

### Temporarily parking the suction head (fig. K)

- ◆ Use the park position (34) for a temporary parking of the suction head.

### Storing the appliance (fig. L)

**Warning!** When storing the appliance, switch the appliance off and unplug it.

- ◆ Make sure that the cord is fully rewound.
- ◆ Place the appliance in an upright position.
- ◆ Park the tube by placing the ridges on the head and the tube in the corresponding slots on the appliance as shown. The locking device (32) engages automatically.
- ◆ Store the appliance in a dry location. The appliance can be carried at the integrated handle (33).
- ◆ To take the tube from the appliance for use, press one of the lock buttons and lift the tube and head out of the parking slots.

## Maintenance

Your Black & Decker appliance has been designed to operate over a long period of time with a minimum of maintenance. Continuous satisfactory operation depends upon proper appliance care and regular cleaning.

**Warning!** Before performing any maintenance or cleaning on the appliance, unplug the appliance.

- ◆ Regularly clean the ventilation slots in your appliance using a soft brush or dry cloth.
- ◆ Regularly clean the motor housing using a damp cloth. Do not use any abrasive or solvent-based cleaner.

### Replacing the dustbag (fig. C & D)

The dustbag must be replaced when the red bag full indicator (14) is visible while the appliance runs at maximum speed and the head is raised from the surface. Replacement dustbags are available from your Black & Decker dealer (cat. no. VBP50).

- ◆ Open the cover (5) as shown (fig. C).
- ◆ Slightly pull back the dustbag holder (16) to remove the dustbag collar (17) from inlet (18) (fig. D).
- ◆ Remove the old dustbag (15) from the dustbag holder.
- ◆ Place a new dustbag in the dustbag holder.
- ◆ Align the dustbag collar (17) with the inlet (18).
- ◆ Make sure that the inlet protrudes into the dustbag collar.
- ◆ Close the cover.

## Cleaning

**Warning!** Before cleaning and maintenance, switch the appliance off and unplug it.

- ◆ From time to time wipe the appliance with a damp cloth. Do not use any abrasive or solvent-based cleaner. Do not immerse the appliance in water.

### Cleaning the motor filter (fig. C, D & M)

The motor filter reduces the amount of dust entering the motor housing to a minimum. The filter is re-usable and should be cleaned regularly.

- ◆ Open the cover (5) as shown (fig. C).
- ◆ Remove the dustbag (fig. D).
- ◆ Pull the filter (27) out of the filter holder (28) (fig. M).
- ◆ Brush any loose dust off the filter.
- ◆ Replace the filter.
- ◆ Place a new dustbag (fig. D).
- ◆ Close the cover (fig. C).

### Replacing the filters (fig. C, D & M - O)

The motor filter and the outlet filter should be replaced every 6 to 9 months and whenever worn or damaged. The filters have to be replaced at the same time. Replacement filter sets are available from your Black & Decker dealer (cat. no. VBF20).

### Replacing the motor filter (fig. C, D & M)

- ◆ Proceed as described above to replace the filter (27).

## Replacing the outlet filters (fig. N & O)

- ◆ Open the cover (29).
- ◆ Remove the old filters (30).
- ◆ Insert the new filters as shown.
- ◆ Close the cover.

## VB1850 - Replacing the HEPA filter

The HEPA filter reduces the amount of dust exiting the motor housing to a minimum. The filters should be replaced whenever worn or damaged. Replacement filters are available from your Black & Decker dealer (cat. no. VBF30).

- ◆ Proceed as described above to replace the filter (31).

## Mains plug replacement (U.K. & Ireland only)

If a new mains plug needs to be fitted:

- ◆ Safely dispose of the old plug.
- ◆ Connect the brown lead to the live terminal in the new plug.
- ◆ Connect the blue lead to the neutral terminal.

**Warning!** No connection is to be made to the earth terminal.

Follow the fitting instructions supplied with good quality plugs. Recommended fuse: 13 A.

## Protecting the environment



Black & Decker provides a facility for recycling Black & Decker products once they have reached the end of their working life. This service is provided free of charge. To take advantage of this service please return your product to any authorised repair agent who will collect them on our behalf.

You can check the location of your nearest authorised repair agent by contacting your local Black & Decker office at the address indicated in this manual. Alternatively, a list of authorised Black & Decker repair agents and full details of our after-sales service and contacts are available on the Internet at: [www.2helpU.com](http://www.2helpU.com)

## Technical data

		VB1600	VB1710	VB1820
		VB1630	VB1740	VB1850
Voltage	V	230	230	230
(Australia & New Zealand)	V <sub>AC</sub>	240	240	240
Power input	W	1,600	1,700	1,800
Cable length	m	6	6	6
Bag size	l	3.5	3.5	3.5
Weight	kg	6	6	6

## EC declaration of conformity

VB1600/VB1630/VB1710/VB1740/VB1820/VB1850

Black & Decker declares that these products conform to:  
89/336/EEC, 73/23/EEC, EN 55014, EN 61000, EN 60335

A handwritten signature in black ink, appearing to read 'C. Wills'.

Colin Wills

Director of Engineering  
BDCI, 4/F, 2 Dai Wang Street  
Tai Po Industrial Estate  
Tai Po NT, Hong Kong  
1-12-2003

UK patent application nos. 0314932.5

UK design application no. 3 013 969

Australian design application no. 484/04

European Community design application no. 131 669

Chinese design application no. 200430002049

US design application no. 29/199,055

## Guarantee

Black & Decker is confident of the quality of its products and offers an outstanding guarantee. This guarantee statement is in addition to and in no way prejudices your statutory rights. The guarantee is valid within the territories of the Member States of the European Union and the European Free Trade Area.

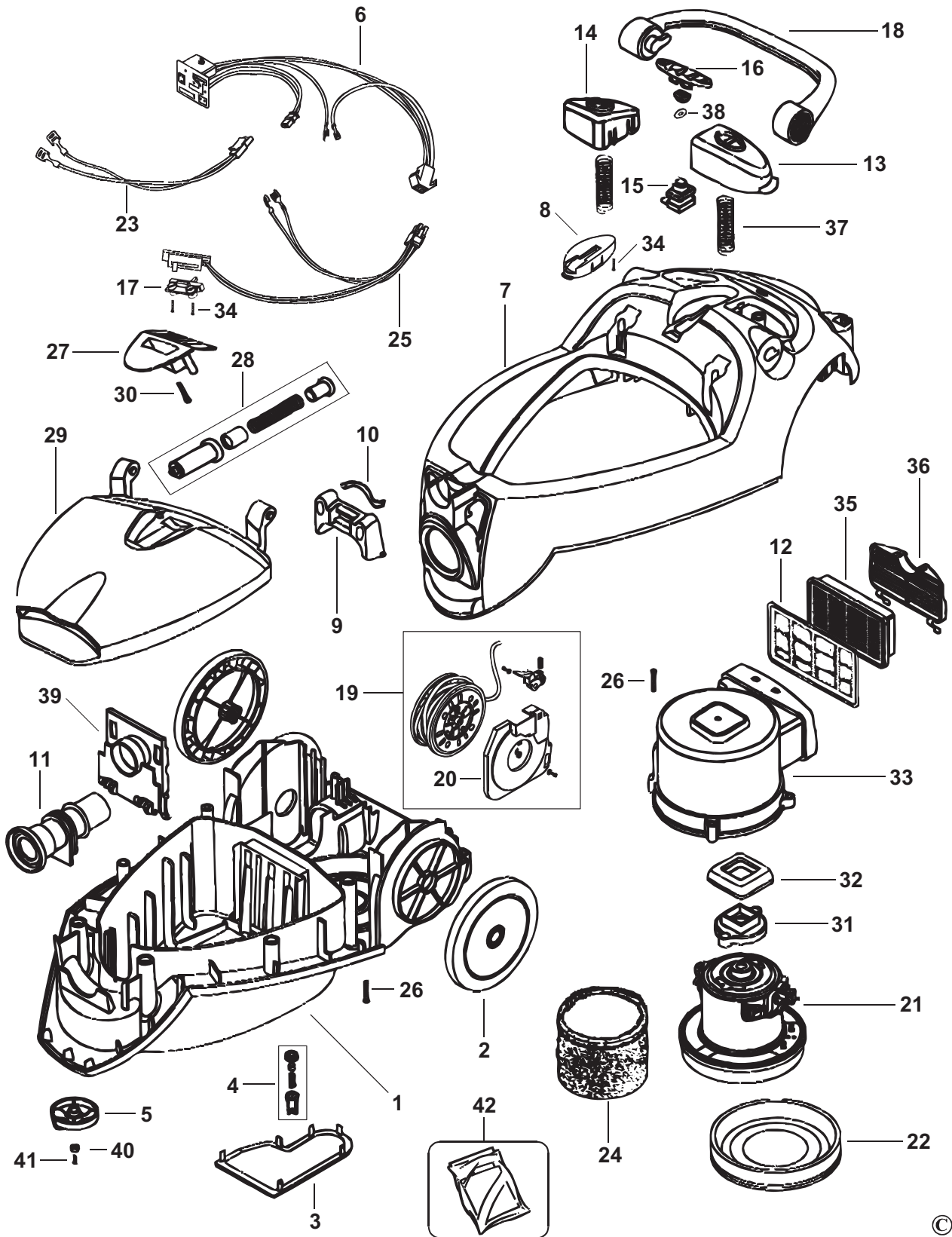
If a Black & Decker product becomes defective due to faulty materials, workmanship or lack of conformity, within 24 months from the date of purchase, Black & Decker guarantees to replace defective parts, repair products subjected to fair wear and tear or replace such products to ensure minimum inconvenience to the customer unless:

- ◆ The product has been used for trade, professional or hire purposes;
- ◆ The product has been subjected to misuse or neglect;
- ◆ The product has sustained damage through foreign objects, substances or accidents;
- ◆ Repairs have been attempted by persons other than authorised repair agents or Black & Decker service staff.

To claim on the guarantee, you will need to submit proof of purchase to the seller or an authorised repair agent. You can check the location of your nearest authorised repair agent by contacting your local Black & Decker office at the address indicated in this manual. Alternatively, a list of authorised Black & Decker repair agents and full details of our after-sales service and contacts are available on the Internet at:

[www.2helpU.com](http://www.2helpU.com)

Please visit our website **[www.blackanddecker.co.uk](http://www.blackanddecker.co.uk)** to register your new Black & Decker product and to be kept up to date on new products and special offers. Further information on the Black & Decker brand and our range of products is available at **[www.blackanddecker.co.uk](http://www.blackanddecker.co.uk)**

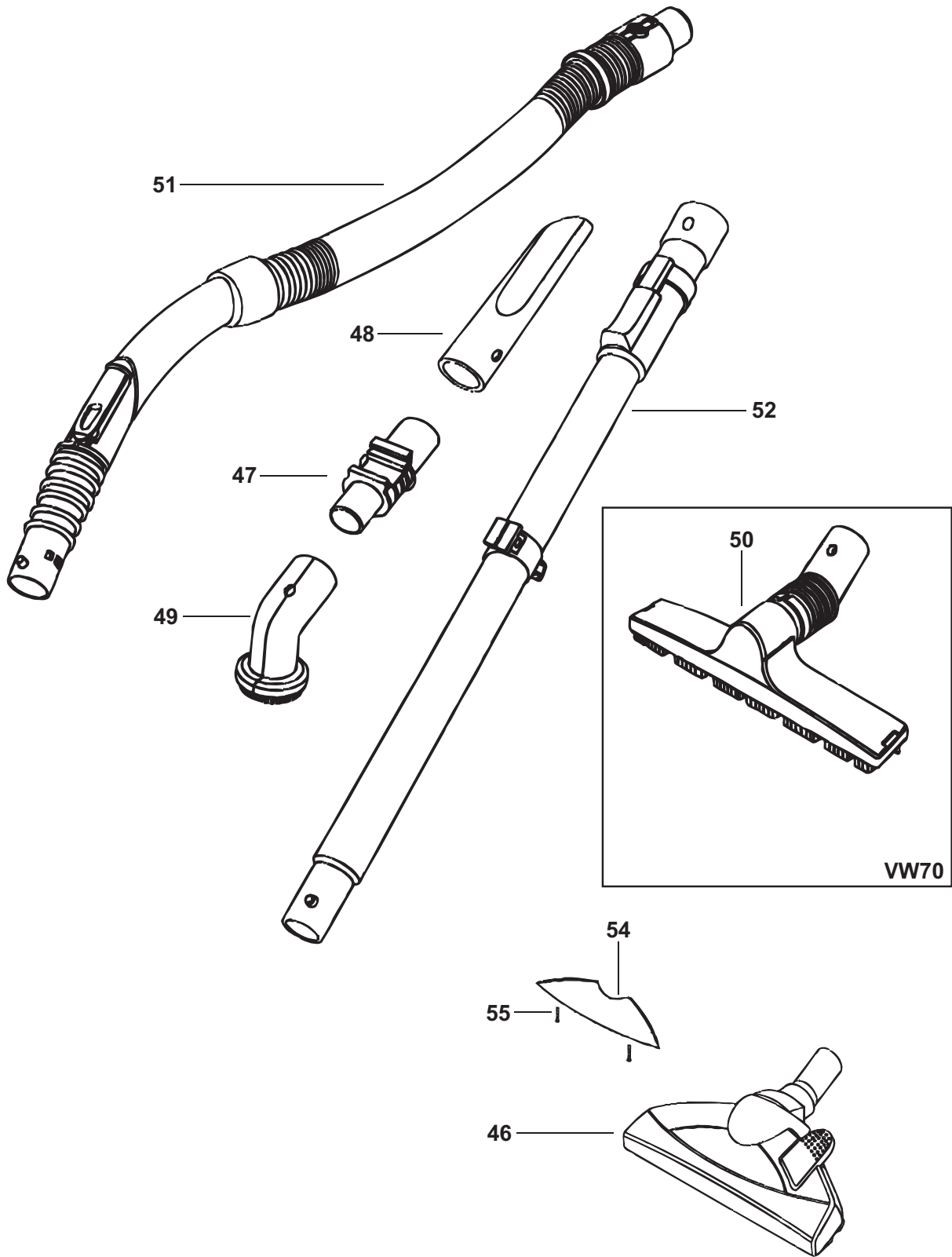


E13854

WWW.2helpU.com

29 - 01 - 04

©



©



**Australia**

Black & Decker (Australia) Pty. Ltd. Tel. 03-8720 5100  
20 Fletcher Road, Mooroolbark, Fax 03-9727 5940  
Victoria, 3138

**New Zealand**

Black & Decker Tel. 09 579 7600  
81 Hugo Johnston Drive Fax 09 579 8200  
Penrose, Auckland, New Zealand

**United Kingdom**

Black & Decker Tel. 01753 511234  
210 Bath Road Fax 01753 551155  
Slough, Berkshire SL1 3YD Helpline 01753 574277