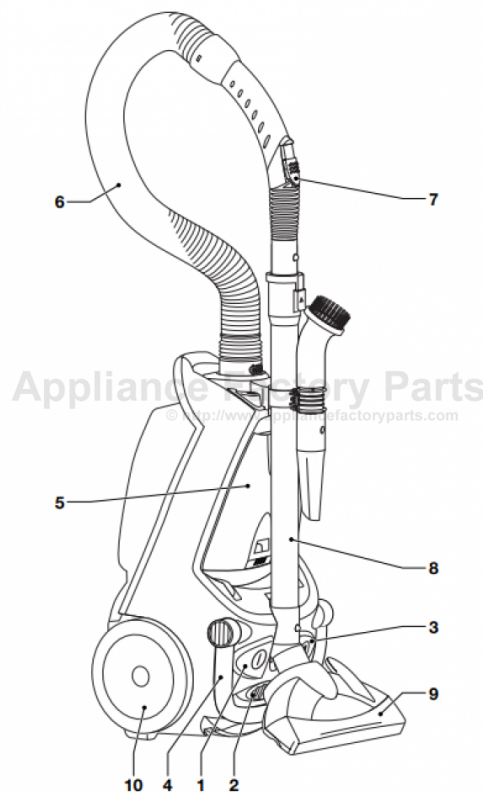


This Owner's Manual is provided and hosted by Appliance Factory Parts.



Black & Decker VB1630 Owner's Manual

[Shop genuine replacement parts for Black & Decker
VB1630](#)

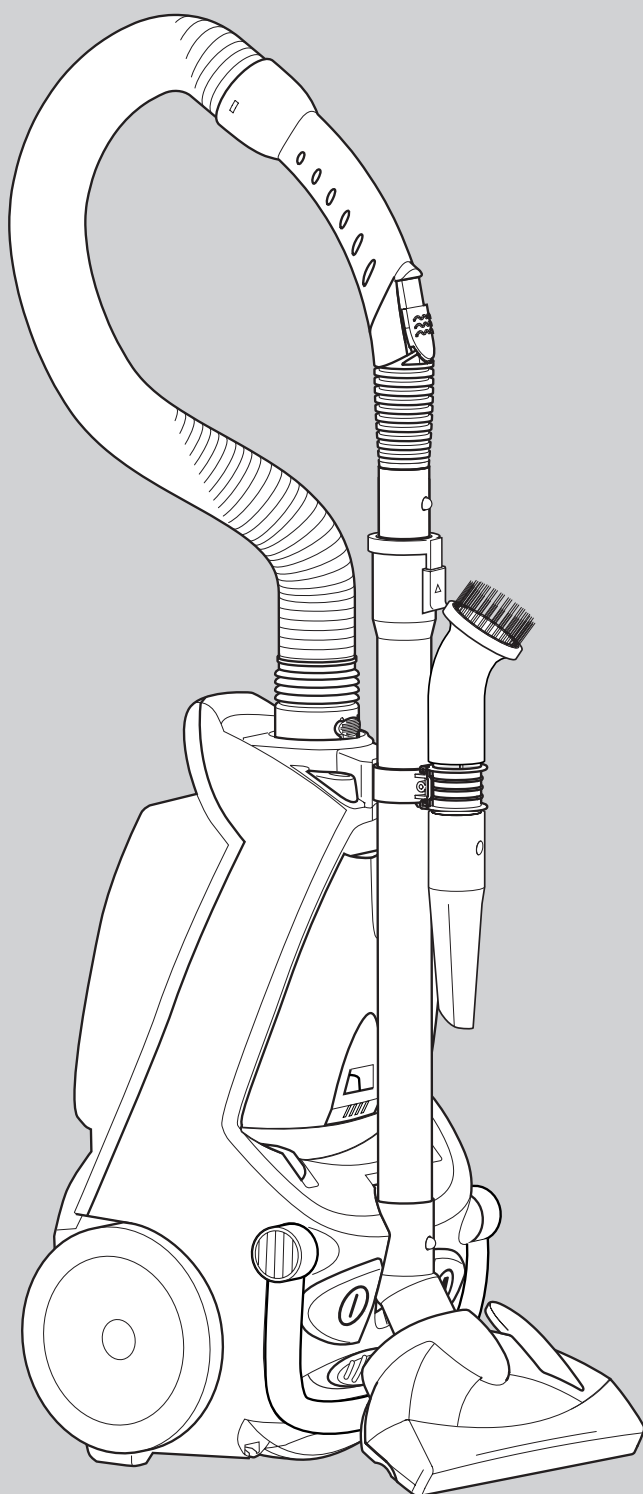


[Find Your Black & Decker Vacuum Cleaner Parts - Select From 339 Models](#)

----- Manual continues below -----



www.blackanddecker.com

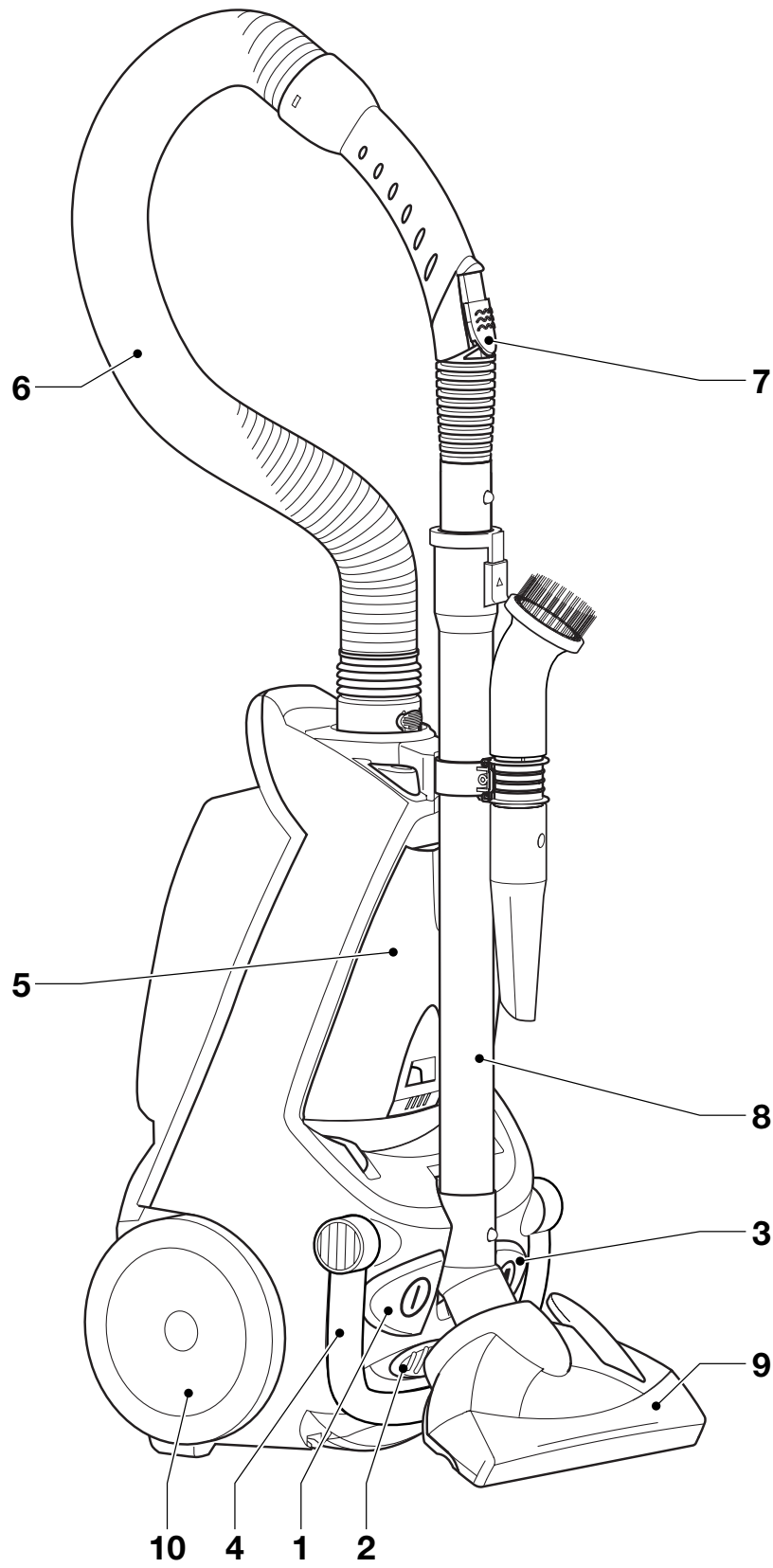


VB1600
VB1630
VB1710
VB1740
VB1820
VB1850

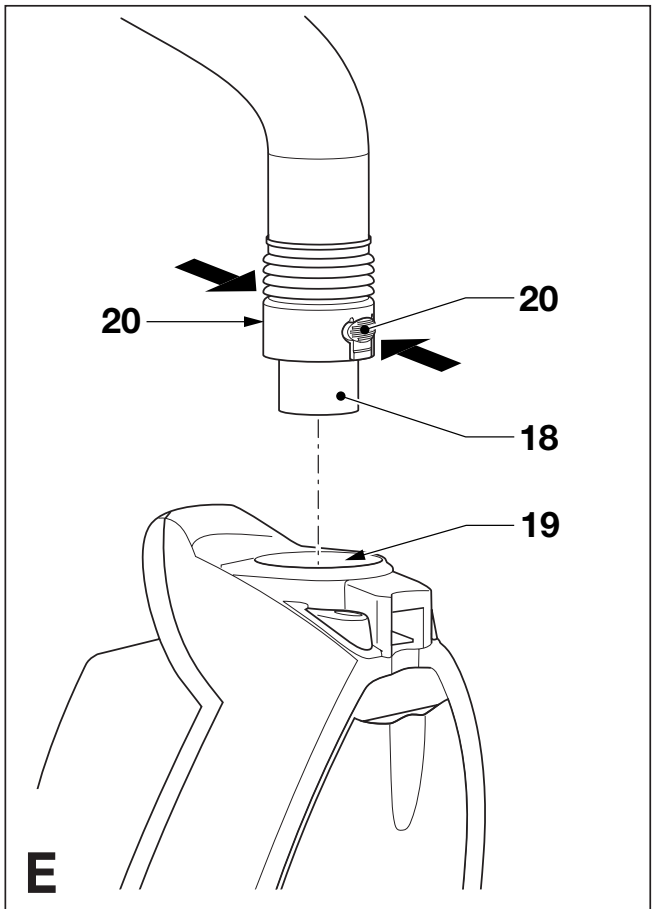
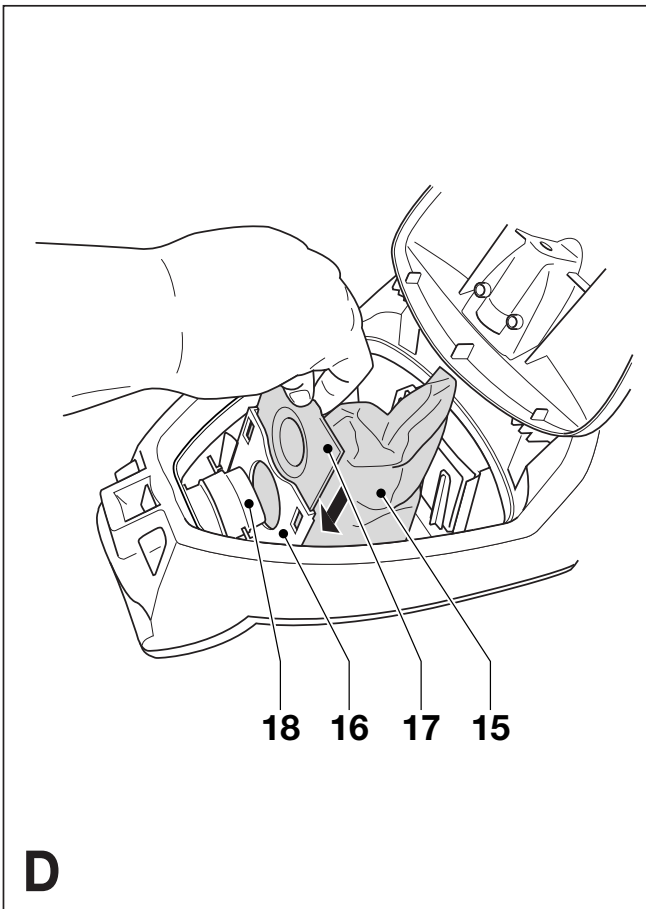
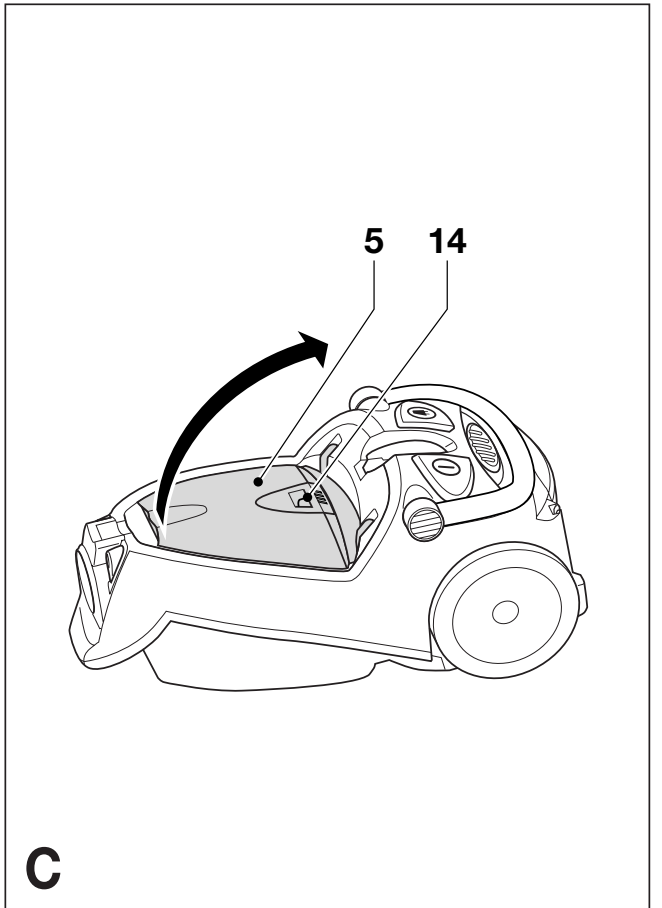
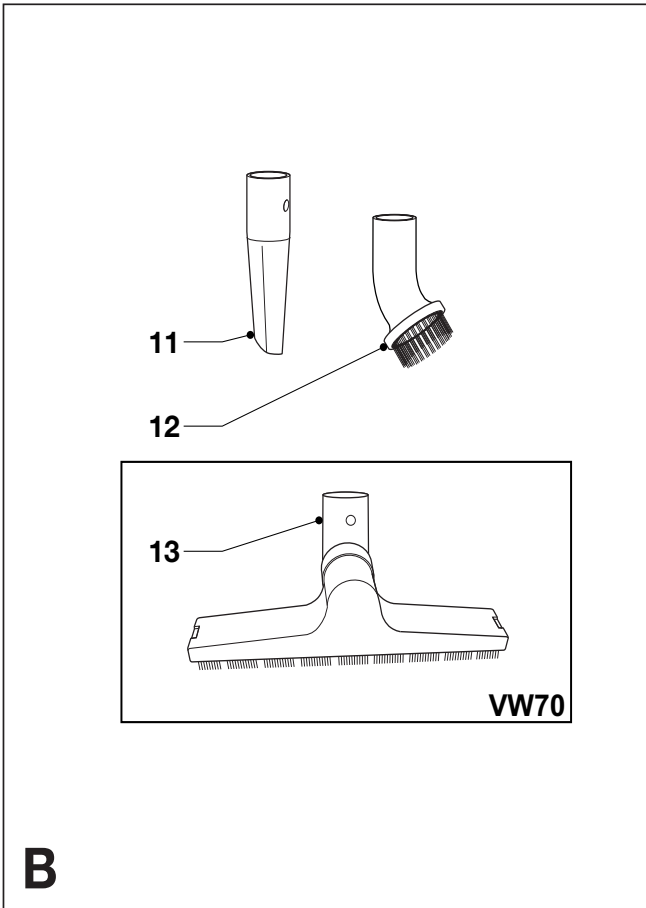
English	8
Deutsch	12
Français	17
Italiano	22
Nederlands	27
Español	32
Português	37
Svenska	42
Norsk	46
Dansk	50
Suomi	54
Ελληνικά	58

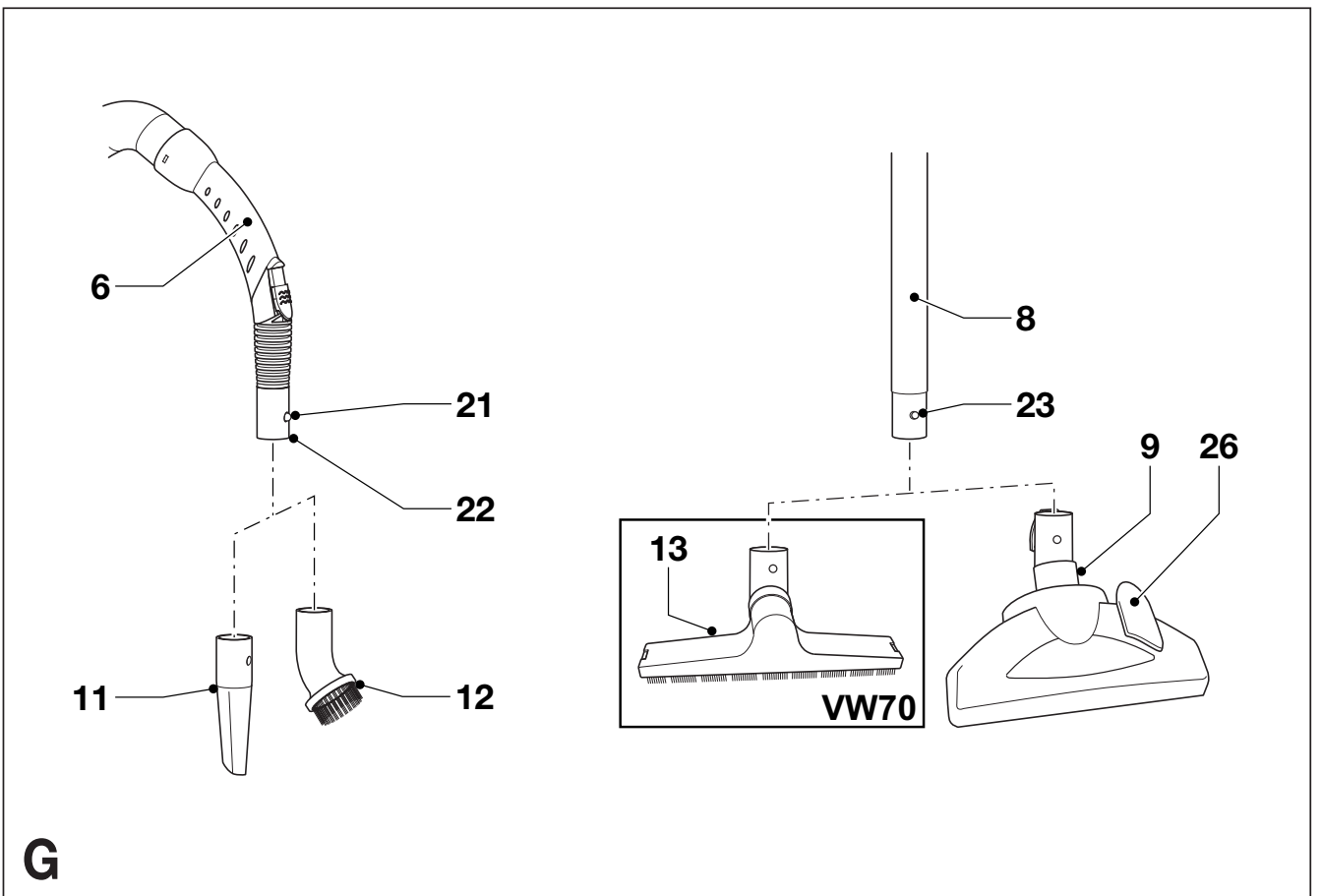
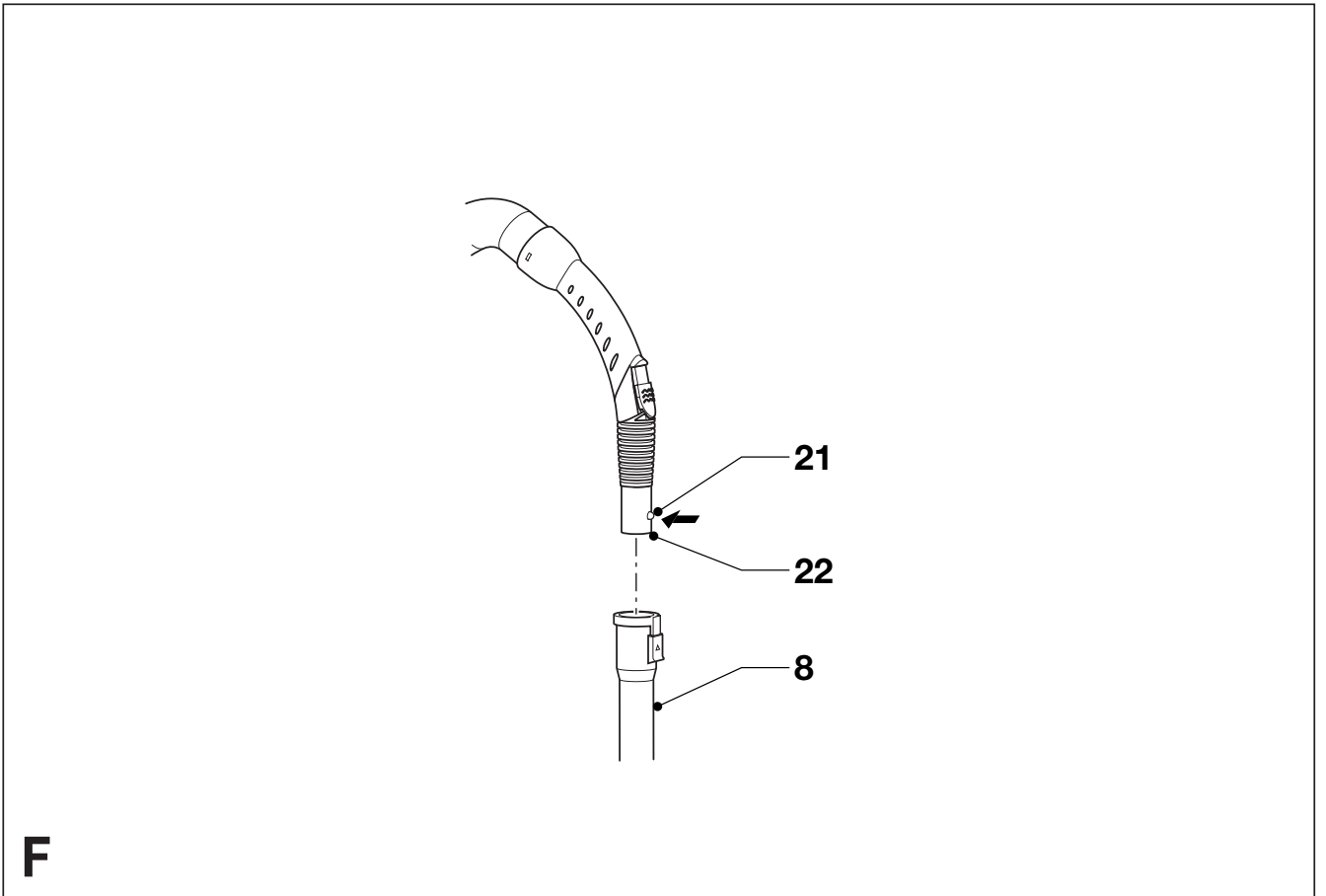


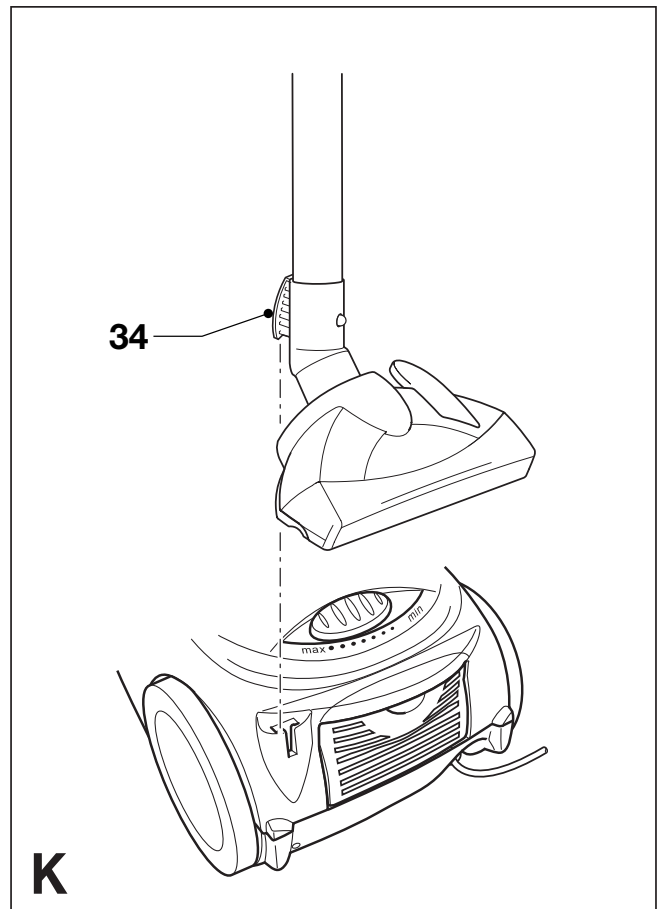
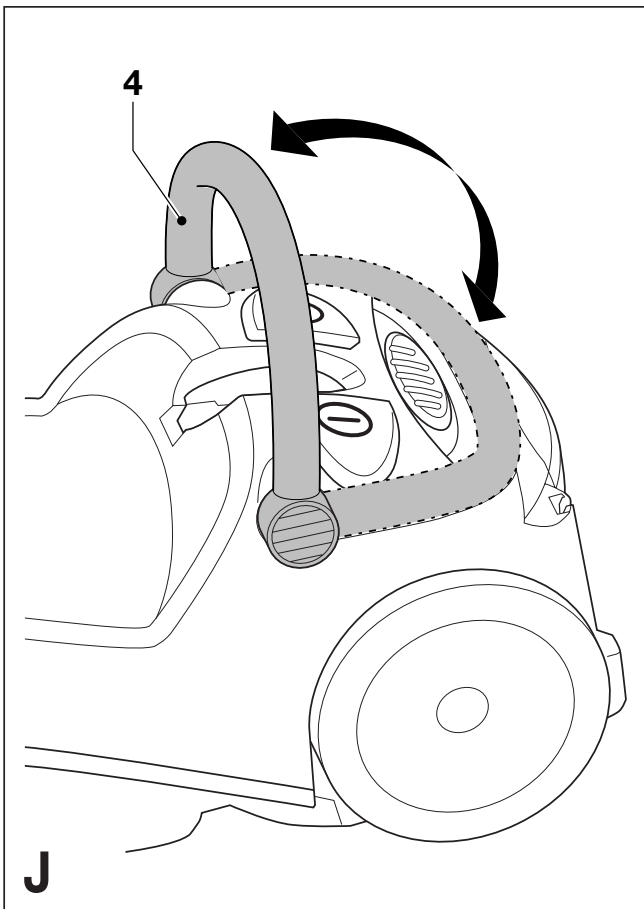
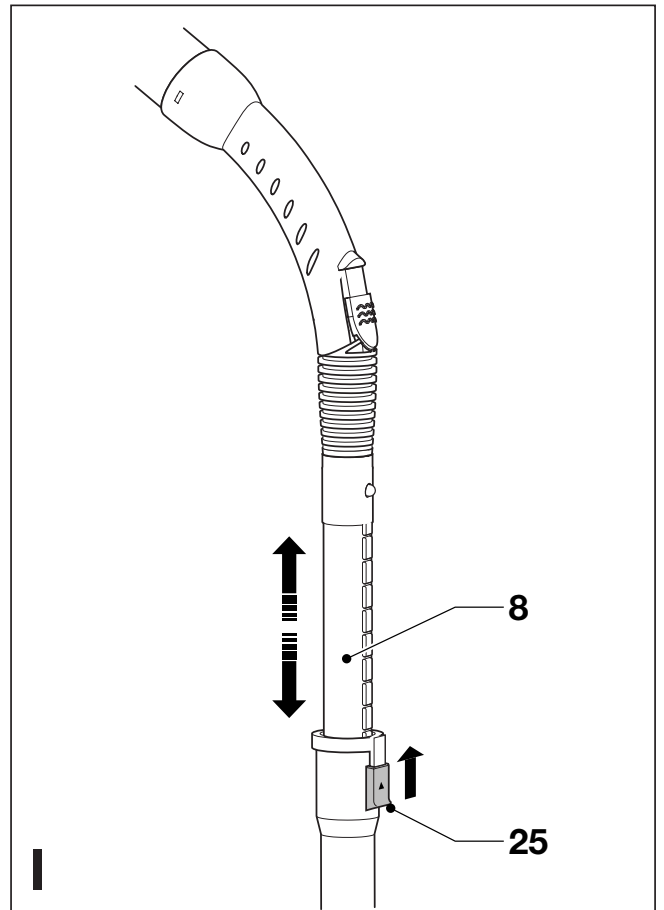
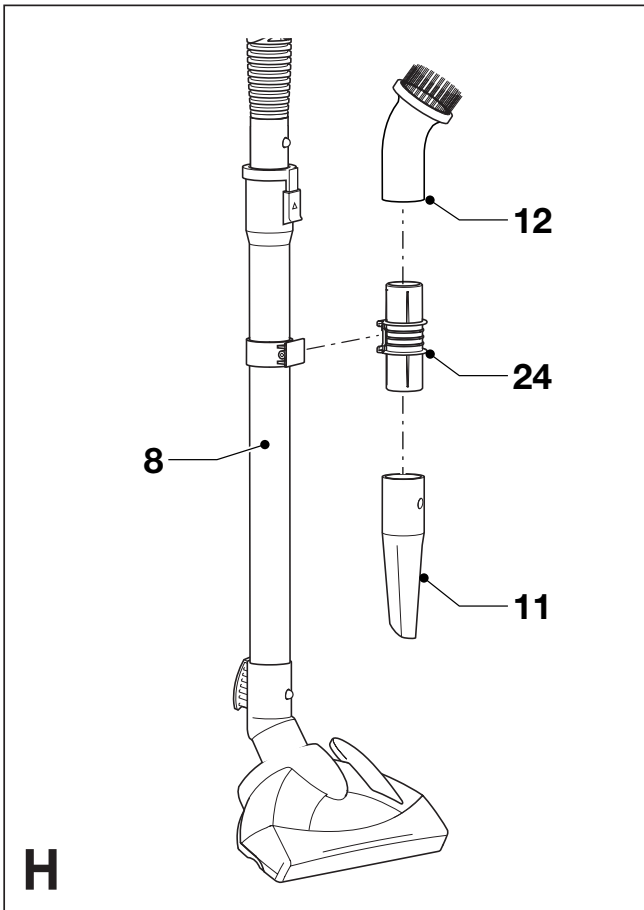
Copyright Black & Decker

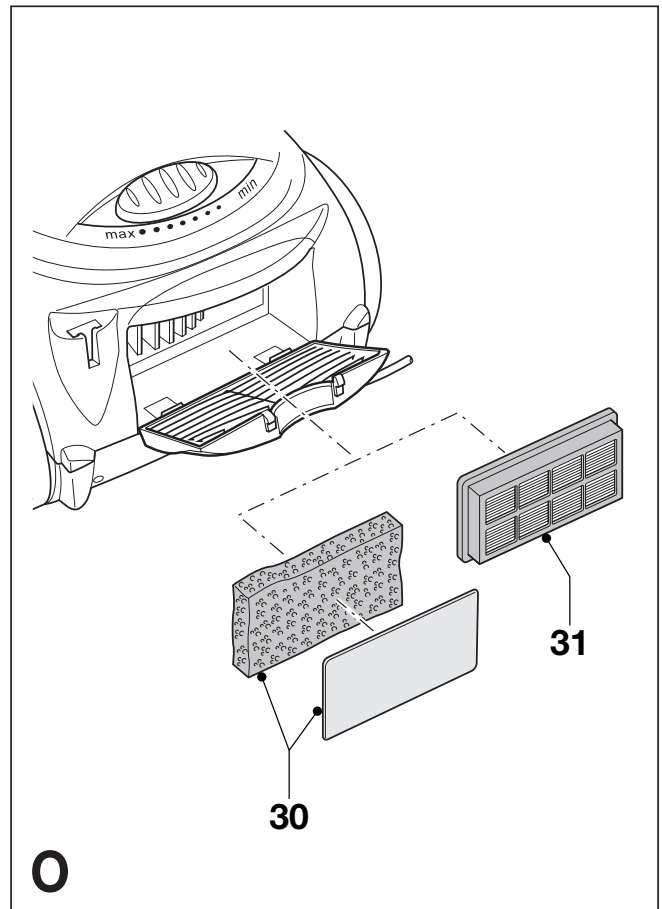
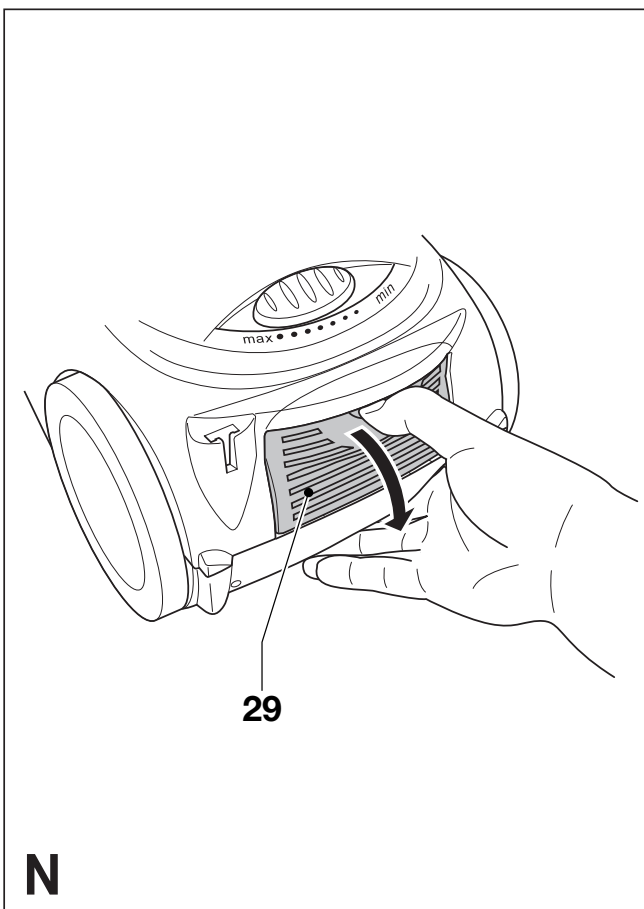
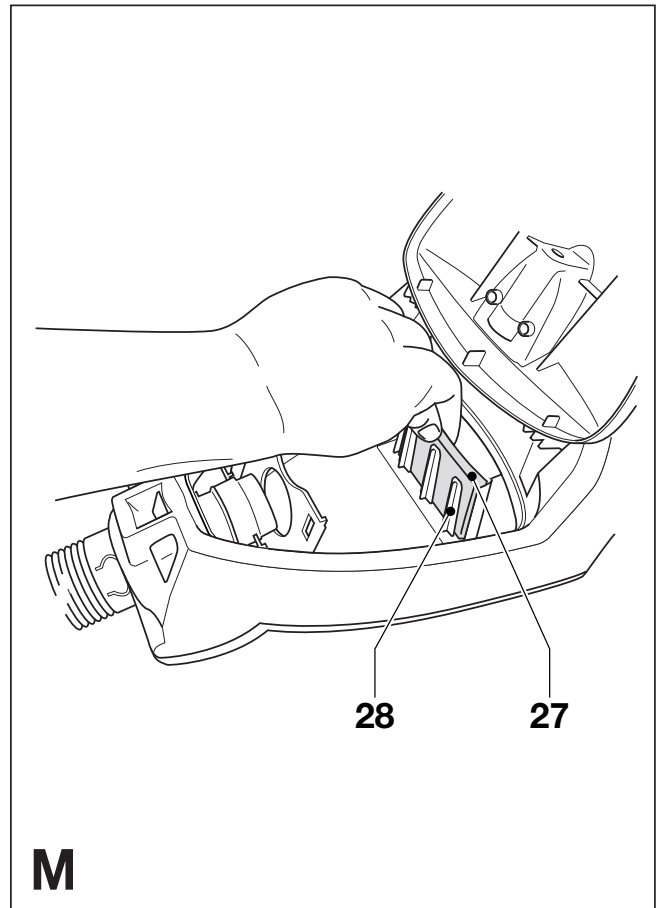
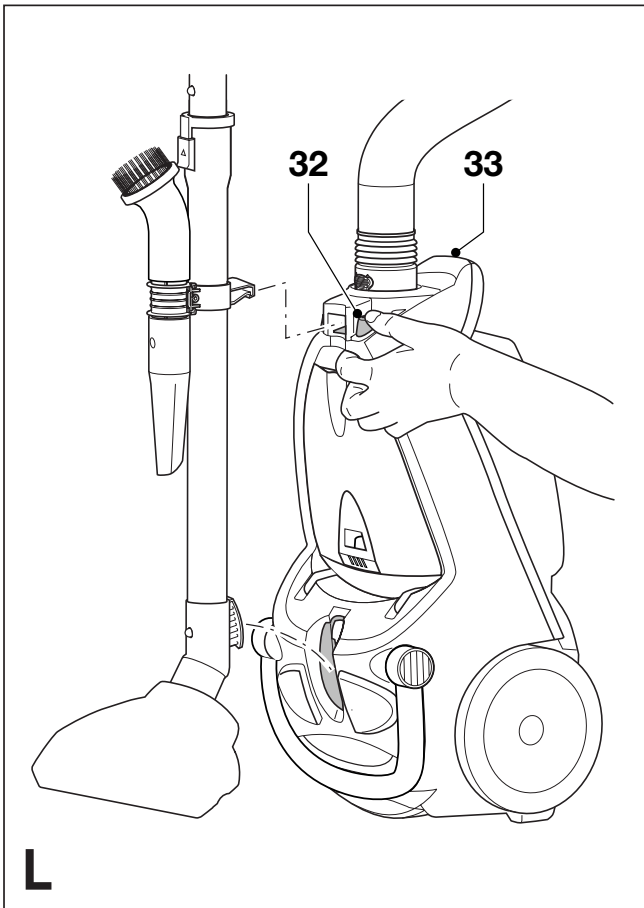


A









Intended use

Your Black & Decker vacuum cleaner has been designed to vacuum dry substances. This product is intended for household use only.

Safety instructions

- ◆ **Warning!** When using mains-powered appliances, basic safety precautions, including the following, should always be followed to reduce the risk of fire, electric shock, personal injury and material damage.
- ◆ Read all of this manual carefully before using the appliance.
- ◆ The intended use is described in this manual. The use of any accessory or attachment or the performance of any operation with this appliance other than those recommended in this instruction manual may present a risk of personal injury.
- ◆ Retain this manual for future reference.

Using your appliance

- ◆ Make sure that the appliance is switched off before connecting to or disconnecting from the power supply.
- ◆ Always take care when using the appliance.
- ◆ Do not use the appliance outdoors.
- ◆ Never pull the power supply cord to disconnect the plug from the socket. Keep the power supply cord away from heat, oil and sharp edges.
- ◆ If the power supply cord is damaged during use, disconnect the appliance from the power supply immediately. Do not touch the power supply cord before disconnecting from the power supply.
- ◆ Disconnect the appliance from the power supply when not in use, before fitting or removing parts and before cleaning.

Safety of others

- ◆ Do not allow children or any person unfamiliar with these instructions to use the appliance.
- ◆ Do not allow children or animals to come near the work area or to touch the appliance or power supply cord. Close supervision is necessary when the appliance is used near children.

After use

- ◆ Switch off and remove the plug from the socket before leaving the appliance unattended and before changing, cleaning or inspecting any parts of the appliance.
- ◆ When not in use, the appliance should be stored in a dry place. Children should not have access to stored appliances.

Inspection and repairs

- ◆ Before use, check the appliance for damaged or defective parts. Check for breakage of parts, damage to switches and any other conditions that may affect its operation.

- ◆ Do not use the appliance if any part is damaged or defective.
- ◆ Have any damaged or defective parts repaired or replaced by an authorised repair agent.
- ◆ Before use, check the power supply cord for signs of damage, ageing and wear.
- ◆ Do not use the appliance if the power supply cord or mains plug is damaged or defective.
- ◆ If the power supply cord or mains plug is damaged or defective it must be repaired by an authorised repair agent in order to avoid a hazard. Do not cut the power supply cord and do not attempt to repair it yourself.
- ◆ Never attempt to remove or replace any parts other than those specified in this manual.

Double insulation



This appliance is double insulated; therefore no earth wire is required. Always check that the power supply corresponds to the voltage on the rating plate.

Additional safety instructions for vacuum cleaners

- ◆ Do not use the appliance to pick up liquids.
- ◆ Do not use the appliance to pick up any materials that could catch fire.
- ◆ Do not use the appliance near water. Do not immerse the appliance in water.
- ◆ Keep the motor draught away from your eyes and face.
- ◆ Keep children and animals at a safe distance when using this appliance.
- ◆ Always work from bottom up when using the appliance on stairs, and keep the appliance at least a stair below your working position.
- ◆ Do not use the appliance without the suction head or another suitable accessory mounted to the tube.
- ◆ Use only Black & Decker accessories.

Features

This appliance includes some or all of the following features (fig. A).

1. On/off switch
2. Speed control switch (VB1630/VB1740/VB1820/VB1850)
3. Cord rewind button
4. Handle
5. Cover
6. Hose
7. Airflow control switch
8. Extension tube
9. Suction head
10. Wheels

In addition, this appliance is supplied with some or all of the following accessories (fig. B):

11. Crevice tool

12. Brush tool
13. Parquet floor head (VB1630/VB1740/VB1850)

The parquet floor head is not included with all models. This accessory is available from your Black & Decker dealer / service centre (cat. no. VVW70).

Assembly

Fitting the dustbag (fig. C & D)

Warning! Before first use, make sure to fit a dustbag.

- ◆ Open the cover (5) as shown (fig. C).
- ◆ Place a dustbag (15) in the dustbag holder (16).
- ◆ Align the dustbag collar (17) with the inlet (18) (fig. D).
- ◆ Make sure that the inlet protrudes into the dustbag collar.
- ◆ Close the cover.

Connecting the hose (fig. E)

- ◆ Insert the hose connector (18) into the inlet (19) of the appliance.
- ◆ Slide the hose further until the release buttons (20) click into place.
- ◆ To disconnect the hose, press the release buttons and pull out the hose.

Mounting the extension tube (fig. F)

- ◆ Press the lock button (21) and slide the hose nozzle (22) into the tube (8) until it clicks into place.
- ◆ To remove the tube, press the lock button and pull the hose out of the tube.

Mounting the suction head (fig. G)

The suction head (9) allows for vacuuming on carpet and hard surfaces (e.g. laminate and tiles).

- ◆ Press the lock button (23) and slide the tube (8) into the head (9) until it clicks into place.
- ◆ To remove the head, press the lock button and pull the tube out of the head.

VB1630/VB1740/VB1850 - Mounting the parquet floor head (fig. G)

The parquet floor head (13) allows for vacuuming on wooden and polished surfaces.

- ◆ Press the lock button (23) and slide the tube (8) into the head until it clicks into place.
- ◆ To remove the head, press the lock button and pull the tube out of the head.

Mounting accessories (fig. G & H)

The crevice tool (11) allows for vacuuming in narrow and hard-to-reach places. The brush tool (12) allows for vacuuming on furniture, blinds, curtains, windows and stairs.

The accessories can be mounted on both the hose (6) and the tube (8). When not in use, the accessories can be stored in the accessory holder (24).

- ◆ Remove the accessory from the holder (fig. H).
- ◆ Press the lock button (21 or 23) and slide the accessory onto the hose nozzle (22) or the tube (8) (fig. G).
- ◆ To remove an accessory, press the lock button (21 or 23) and pull the accessory off.

Use

Unwinding and rewinding the cord (fig. A)

The cord rewind button (3) can be operated by hand or foot.

- ◆ Before use, pull a sufficient length of cord from the back of the appliance.
- ◆ After use, press the cord rewind button to store the cord back into place. Manually guide the cord to ensure it does not swing back. Ensure the plug is correctly located.

Adjusting the length of the tube (fig. I)

The extension tube (8) can be adjusted in 21 steps.

- ◆ Engage the adjustment knob (25) and slide the tube to the desired length.
- ◆ Release the knob.

Adjusting the suction head (fig. G)

- ◆ For vacuuming on carpets, switch the floor surface selector (26) into the up position.
- ◆ For vacuuming on laminates, tiles, etc., switch the floor surface selector into the down position.

Switching on and off (fig. A)

The on/off switch (1) can be operated by hand or foot.

- ◆ To switch the appliance on, press the on/off switch (1).
- ◆ To switch the appliance off, press the on/off switch again.

VB1630/VB1740/VB1820/VB1850 - Setting the suction force (fig. A)

The speed control switch (2) allows for a precise setting of the suction force.

- ◆ Slide the speed control switch (2) to the desired setting.
- ◆ For vacuuming on hard surfaces (e.g. floors), choose a high speed setting.
- ◆ For vacuuming on soft surfaces (e.g. upholstery), choose a low speed setting.

Adjusting the airflow (fig. A)

- ◆ Move the airflow control switch (7) to adjust the airflow as desired.

Vacuuming

- ◆ When operating the appliance, make sure that the hose is not trapped, twisted or blocked.
- ◆ In case of overheating, a cut-out will operate and the appliance will automatically stop.
- ◆ If the appliance stops operating, unplug the appliance and allow it to cool for 2 - 3 hours.

Hints for optimum use

- ◆ When working in confined spaces, temporarily remove the accessory holder from the tube to improve your scope.
- ◆ When vacuuming stairs, always start at the bottom and work your way up. Position the appliance on the floor and do the stairs until halfway. Then carry the appliance to a stable position which is at least one stair below your working position, and do the top half of the stairs.

Carrying the appliance (fig. J)

During use the appliance can be carried using the handle (4).

- ◆ Tilt the handle into position as shown.

Temporarily parking the suction head (fig. K)

- ◆ Use the park position (34) for a temporary parking of the suction head.

Storing the appliance (fig. L)

Warning! When storing the appliance, switch the appliance off and unplug it.

- ◆ Make sure that the cord is fully rewound.
- ◆ Place the appliance in an upright position.
- ◆ Park the tube by placing the ridges on the head and the tube in the corresponding slots on the appliance as shown. The locking device (32) engages automatically.
- ◆ Store the appliance in a dry location. The appliance can be carried at the integrated handle (33).
- ◆ To take the tube from the appliance for use, press one of the lock buttons and lift the tube and head out of the parking slots.

Maintenance

Your Black & Decker appliance has been designed to operate over a long period of time with a minimum of maintenance. Continuous satisfactory operation depends upon proper appliance care and regular cleaning.

Warning! Before performing any maintenance or cleaning on the appliance, unplug the appliance.

- ◆ Regularly clean the ventilation slots in your appliance using a soft brush or dry cloth.

- ◆ Regularly clean the motor housing using a damp cloth. Do not use any abrasive or solvent-based cleaner.

Replacing the dustbag (fig. C & D)

The dustbag must be replaced when the red bag full indicator (14) is visible while the appliance runs at maximum speed and the head is raised from the surface. Replacement dustbags are available from your Black & Decker dealer (cat. no. VBP50).

- ◆ Open the cover (5) as shown (fig. C).
- ◆ Slightly pull back the dustbag holder (16) to remove the dustbag collar (17) from inlet (18) (fig. D).
- ◆ Remove the old dustbag (15) from the dustbag holder.
- ◆ Place a new dustbag in the dustbag holder.
- ◆ Align the dustbag collar (17) with the inlet (18).
- ◆ Make sure that the inlet protrudes into the dustbag collar.
- ◆ Close the cover.

Cleaning

Warning! Before cleaning and maintenance, switch the appliance off and unplug it.

- ◆ From time to time wipe the appliance with a damp cloth. Do not use any abrasive or solvent-based cleaner. Do not immerse the appliance in water.

Cleaning the motor filter (fig. C, D & M)

The motor filter reduces the amount of dust entering the motor housing to a minimum. The filter is re-usable and should be cleaned regularly.

- ◆ Open the cover (5) as shown (fig. C).
- ◆ Remove the dustbag (fig. D).
- ◆ Pull the filter (27) out of the filter holder (28) (fig. M).
- ◆ Brush any loose dust off the filter.
- ◆ Replace the filter.
- ◆ Place a new dustbag (fig. D).
- ◆ Close the cover (fig. C).

Replacing the filters (fig. C, D & M - O)

The motor filter and the outlet filter should be replaced every 6 to 9 months and whenever worn or damaged. The filters have to be replaced at the same time. Replacement filter sets are available from your Black & Decker dealer (cat. no. VBF20).

Replacing the motor filter (fig. C, D & M)

- ◆ Proceed as described above to replace the filter (27).

Replacing the outlet filters (fig. N & O)

- ◆ Open the cover (29).
- ◆ Remove the old filters (30).
- ◆ Insert the new filters as shown.
- ◆ Close the cover.

VB1850 - Replacing the HEPA filter

The HEPA filter reduces the amount of dust exiting the motor housing to a minimum. The filters should be replaced whenever worn or damaged. Replacement filters are available from your Black & Decker dealer (cat. no. VBF30).

- ◆ Proceed as described above to replace the filter (31).

Mains plug replacement (U.K. & Ireland only)

If a new mains plug needs to be fitted:

- ◆ Safely dispose of the old plug.
- ◆ Connect the brown lead to the live terminal in the new plug.
- ◆ Connect the blue lead to the neutral terminal.

Warning! No connection is to be made to the earth terminal.

Follow the fitting instructions supplied with good quality plugs. Recommended fuse: 13 A.

Protecting the environment

Black & Decker provides a facility for recycling Black & Decker products once they have reached the end of their working life. This service is provided free of charge. To take advantage of this service please return your product to any authorised repair agent who will collect them on our behalf.

You can check the location of your nearest authorised repair agent by contacting your local Black & Decker office at the address indicated in this manual. Alternatively, a list of authorised Black & Decker repair agents and full details of our after-sales service and contacts are available on the Internet at: www.2helpU.com

Technical data

		VB1600	VB1710	VB1820
		VB1630	VB1740	VB1850
Voltage	V	230	230	230
Power input	W	1,600	1,700	1,800
Cable length	m	6	6	6
Bag size	l	3.5	3.5	3.5
Weight	kg	6	6	6

EC declaration of conformity

VB1600/VB1630/VB1710/VB1740/VB1820/VB1850

Black & Decker declares that these products conform to: 89/336/EEC, 73/23/EEC, EN 55014, EN 61000, EN 60335

Colin Wills

Director of Engineering
BDCI, 4/F, 2 Dai Wang Street
Tai Po Industrial Estate
Tai Po NT, Hong Kong
1-12-2003

UK patent application nos. 0314932.5

UK design application no. 3 013 969

Australian design application no. 484/04

European Community design application no. 131 669

Chinese design application no. 200430002049

US design application no. 29/199,055

Guarantee

Black & Decker is confident of the quality of its products and offers an outstanding guarantee. This guarantee statement is in addition to and in no way prejudices your statutory rights. The guarantee is valid within the territories of the Member States of the European Union and the European Free Trade Area.

If a Black & Decker product becomes defective due to faulty materials, workmanship or lack of conformity, within 24 months from the date of purchase, Black & Decker guarantees to replace defective parts, repair products subjected to fair wear and tear or replace such products to ensure minimum inconvenience to the customer unless:

- ◆ The product has been used for trade, professional or hire purposes;
- ◆ The product has been subjected to misuse or neglect;
- ◆ The product has sustained damage through foreign objects, substances or accidents;
- ◆ Repairs have been attempted by persons other than authorised repair agents or Black & Decker service staff.

To claim on the guarantee, you will need to submit proof of purchase to the seller or an authorised repair agent. You can check the location of your nearest authorised repair agent by contacting your local Black & Decker office at the address indicated in this manual. Alternatively, a list of authorised Black & Decker repair agents and full details of our after-sales service and contacts are available on the Internet at:

www.2helpU.com

Please visit our website www.blackanddecker.co.uk to register your new Black & Decker product and to be kept up to date on new products and special offers. Further information on the Black & Decker brand and our range of products is available at www.blackanddecker.co.uk

Bestimmungsgemäße Verwendung

Ihr Black & Decker Staubsauger wurde zum Aufsaugen von trockenen Substanzen entwickelt.

Dieses Gerät ist nicht für den gewerblichen Einsatz vorgesehen.

Sicherheitsanweisungen

- ◆ **Achtung!** Bei der Verwendung netzbetriebener Geräte sind zum Schutz vor Feuergefahr, elektrischen Schlägen sowie Körperverletzungen und Sachschäden grundlegende Sicherheitsmaßnahmen einschließlich der folgenden Vorschriften zu beachten.
- ◆ Lesen Sie diese Anleitung genau durch, bevor Sie das Gerät verwenden.
- ◆ Die bestimmungsgemäße Verwendung ist in dieser Bedienungsanleitung beschrieben. Das Verwenden anderer als der in dieser Anleitung empfohlenen Vorsatzgeräte und Zubehörteile oder die Ausführung von Arbeiten mit diesem Gerät, die nicht der bestimmungsgemäßen Verwendung entsprechen, kann zu Unfallgefahren führen.
- ◆ Bewahren Sie diese Anleitung auf.

Gebrauch des Gerätes

- ◆ Stellen Sie sicher, daß das Gerät ausgeschaltet ist, bevor Sie es mit der Stromversorgung verbinden oder von ihr trennen.
- ◆ Gehen Sie beim Gebrauch des Geräts stets vorsichtig vor.
- ◆ Verwenden Sie das Gerät nicht im Freien.
- ◆ Benutzen Sie nicht das Kabel, um den Stecker aus der Steckdose zu ziehen. Schützen Sie das Kabel vor Hitze, Öl und scharfen Kanten.
- ◆ Wird das Kabel während des Gebrauchs beschädigt, trennen Sie das Gerät sofort vom Netz. Berühren Sie das Kabel nicht, solange es noch am Netz angeschlossen ist.
- ◆ Trennen Sie das Gerät vom Netz, wenn es nicht gebraucht wird, bevor Teile angebracht oder entfernt werden und bevor das Gerät gereinigt wird.

Sicherheit anderer Personen

- ◆ Untersagen Sie Kindern sowie Personen, die sich mit dem Inhalt dieser Anleitung nicht auskennen, die Verwendung dieses Geräts.
- ◆ Halten Sie Kinder und Tiere vom Arbeitsbereich fern, und sorgen Sie dafür, daß das Gerät und das Netzkabel nicht berührt wird. Wird das Gerät in der Nähe von Kindern verwendet, so ist äußerste Achtsamkeit erforderlich.

Nach dem Gebrauch

- ◆ Schalten Sie das Gerät aus, und ziehen Sie den Stecker aus der Steckdose, bevor Sie das Gerät unbeaufsichtigt zurücklassen und bevor Sie Teile des Gerätes verändern, reinigen oder überprüfen.

- ◆ Das unbenutzte Gerät ist an einem trockenen Ort aufzubewahren. Kinder sollten keinen Zugang zu aufbewahrten Geräten haben.

Inspektion und Reparaturen

- ◆ Überprüfen Sie das Gerät vor dem Gebrauch auf beschädigte oder defekte Teile. Prüfen Sie, ob Teile gebrochen, Schalter beschädigt oder andere Zustände eingetreten sind, die die Funktion des Gerätes beeinträchtigen.
- ◆ Benutzen Sie das Gerät nicht, wenn irgendein Teil defekt ist.
- ◆ Lassen Sie defekte Teile immer von einer unserer Kundendienstwerkstätten reparieren oder austauschen.
- ◆ Überprüfen Sie vor dem Gebrauch das Netzkabel auf Beschädigung, Alterung und Verschleiß.
- ◆ Verwenden Sie das Gerät nicht, falls das Netzkabel oder der Netzstecker beschädigt ist.
- ◆ Falls das Netzkabel oder der Netzstecker beschädigt ist, so sind die beschädigten Teile von einer autorisierten Reparaturwerkstatt auszutauschen, um Gefahren vorzubeugen. Schneiden Sie nicht in das Netzkabel, und versuchen Sie nicht, das Kabel selbst zu reparieren.
- ◆ Versuchen Sie nie, irgendwelche Teile zu entfernen oder auszutauschen, die nicht in der Anleitung beschrieben werden.

Schutzisolation



Dieses Gerät ist schutzisoliert, daher ist keine Erdleitung erforderlich. Überprüfen Sie stets, ob die Netzspannung der auf dem Typenschild angegebenen Spannung entspricht.

Zusätzliche Sicherheitsanweisungen für Staubsauger

- ◆ Saugen Sie keine Flüssigkeiten mit dem Gerät auf.
- ◆ Saugen Sie kein feuergefährliches Material mit dem Gerät auf.
- ◆ Verwenden Sie das Gerät nicht in der Nähe von Wasser. Tauchen Sie das Gerät nicht in Wasser ein.
- ◆ Halten Sie den Saugstutzen von Augen und Gesicht fern.
- ◆ Halten Sie Kinder und Tiere beim Gebrauch des Gerätes in einem sicheren Abstand.
- ◆ Arbeiten Sie stets von unten nach oben, wenn das Gerät auf Treppen verwendet wird, und halten Sie das Gerät mindestens eine Treppenstufe unterhalb Ihrer Arbeitsposition.
- ◆ Verwenden Sie das Gerät nicht ohne den Saugkopf oder ein anderes geeignetes Zubehörteil, das am Rohr befestigt wird.
- ◆ Verwenden Sie ausschließlich Black & Decker Zubehör.

Merkmale

Dieses Gerät weist einige oder alle der folgenden Merkmale auf (Abb. A).

1. Ein-/Aus-Schalter

2. Drehzahlregler (VB1630/VB1740/VB1820/VB1850)
3. Kabelaufwickelknopf
4. Griff
5. Deckel
6. Schlauch
7. Luftstromregler
8. Verlängerungsrohr
9. Saugkopf
10. Räder

Zusätzlich wird dieses Werkzeug mit einigen oder allen der folgenden Zubehörteile ausgeliefert (Abb. B):

11. Fugendüse
12. Bürstendüse
13. Parkettbodenkopf (VB1630/VB1740/VB1850)

Der Parkettbodenkopf ist nicht bei allen Modellen Teil des Lieferumfangs. Dieses Zubehör ist bei Ihrem Black & Decker Händler / Servicecenter erhältlich (Kat.-Nr. VW70).

Montage

Anbringen des Staubbeutels (Abb. C & D)

Achtung! Stellen Sie vor dem ersten Gebrauch sicher, daß ein Staubbeutel eingesetzt ist.

- ◆ Öffnen Sie wie angegeben den Deckel (5) (Abb. C).
- ◆ Setzen Sie den Staubbeutel (15) in den Staubbeutelhalter (16).
- ◆ Richten Sie den Kragen (17) des Staubbeutels mit dem Einlaß (18) aus (Abb. D).
- ◆ Vergewissern Sie sich, daß der Einlaß in den Kragen des Staubbeutels hineinragt.
- ◆ Schließen Sie den Deckel.

Anschließen des Schlauchs (Abb. E)

- ◆ Setzen Sie die Schlauchverbindung (18) in den Einlaß (19) des Geräts ein.
- ◆ Schieben Sie den Schlauch weiter hinein, bis die Löseknöpfe (20) in ihrer Position einrasten.
- ◆ Um den Schlauch zu trennen, drücken Sie auf die Löseknöpfe und ziehen Sie den Schlauch heraus.

Anbringen des Verlängerungsrohrs (Abb. F)

- ◆ Drücken Sie auf den Löseknopf (21) und schieben Sie die Schlauchdüse (22) in das Rohr (8), bis die Düse in ihrer Position einrastet.
- ◆ Um das Rohr zu entfernen, drücken Sie auf den Löseknopf und ziehen Sie den Schlauch aus dem Rohr heraus.

Anbringen des Saugkopfs (Abb. G)

Mit dem Saugkopf (9) können Saugarbeiten auf Teppich und harten Oberflächen (z.B. Laminat und Fliesen) durchgeführt werden.

- ◆ Drücken Sie auf den Löseknopf (23) und schieben Sie das Rohr (8) in den Kopf (9), bis das Rohr in seiner Position einrastet.
- ◆ Um den Kopf zu entfernen, drücken Sie auf den Löseknopf und ziehen Sie das Rohr aus dem Kopf heraus.

VB1630/VB1740/VB1850 – Anbringen des Parkettbodenkopfs (Abb. G)

Mit dem Parkettbodenkopf (13) können Saugarbeiten auf hölzernen oder polierten Oberflächen ausgeführt werden.

- ◆ Drücken Sie auf den Löseknopf (23) und schieben Sie das Rohr (8) in den Kopf, bis das Rohr in seiner Position einrastet.
- ◆ Um den Kopf zu entfernen, drücken Sie auf den Löseknopf und ziehen Sie das Rohr aus dem Kopf heraus.

Zubehör (Abb. G & H)

Mit der Fugendüse (11) können Saugarbeiten an schmalen und unzugänglichen Stellen durchgeführt werden. Mit der Bürstendüse (12) können Saugarbeiten auf Möbeln, Jalousien, Vorhängen, Fenstern und Treppen durchgeführt werden.

Das Zubehör kann sowohl am Schlauch (6) als auch am Rohr (8) angebracht werden. Bei Nichtverwendung kann das Zubehör im Zubehöralter (24) verstaut werden.

- ◆ Nehmen Sie das Zubehör aus dem Halter (Abb. H).
- ◆ Drücken Sie auf den Löseknopf (21 bzw. 23) und schieben Sie das Zubehör auf die Schlauchdüse (22) oder auf das Rohr (8) (Abb. G).
- ◆ Um ein Zubehörteil zu entfernen, drücken Sie auf den Löseknopf (21 bzw. 23) und ziehen Sie das Zubehör ab.

Gebrauch

Ab- und Aufwickeln des Kabels (Abb. A)

Der Kabelaufwickelknopf (3) kann mit der Hand oder mit dem Fuß betätigt werden.

- ◆ Ziehen Sie vor dem Gebrauch eine hinreichende Kabellänge aus der Rückseite des Geräts heraus.
- ◆ Drücken Sie nach dem Gebrauch auf den Kabelaufwickelknopf, um das Kabel wieder im Gerät zu verstauen. Führen Sie das Kabel von Hand, um sicherzustellen, daß es nicht zurückschnellt. Vergewissern Sie sich, daß sich der Stecker am richtigen Platz befindet.

Einstellen der Rohrlänge (Abb. I)

Das Verlängerungsrohr (8) kann in 21 Schritten eingestellt werden.

- ◆ Betätigen Sie den Einstellknopf (25) und schieben Sie das Rohr auf die gewünschte Länge.

- ◆ Lassen Sie den Knopf los.

Einstellen des Saugkopfs (Abb. G)

- ◆ Um Saugarbeiten auf Teppich auszuführen, schalten Sie den Bodenflächenwähler (26) in die obere Stellung.
- ◆ Um Saugarbeiten auf Laminat, Fliesen, usw. auszuführen, schalten Sie den Bodenflächenwähler in die untere Stellung.

Ein- und Ausschalten (Abb. A)

Der Ein-/Ausschalter (1) kann mit der Hand oder mit dem Fuß betätigt werden.

- ◆ Um das Gerät einzuschalten, drücken Sie auf den Ein-/Ausschalter (1).
- ◆ Um das Gerät auszuschalten, drücken Sie erneut auf den Ein-/Ausschalter.

VB1630/VB1740/VB1820/VB1850 – Einstellen der Saugkraft (Abb. A)

Mit dem Drehzahlregler (2) kann die Saugkraft genau eingestellt werden.

- ◆ Schieben Sie den Drehzahlregler (2) in die gewünschte Stellung.
- ◆ Um Saugarbeiten auf harten Oberflächen (z.B. Böden) auszuführen, wählen Sie eine hohe Drehzahleinstellung.
- ◆ Um Saugarbeiten auf weichen Oberflächen (z.B. Polstern) auszuführen, wählen Sie eine niedrige Drehzahleinstellung.

Einstellen des Luftstroms (Abb. A)

- ◆ Stellen Sie den Luftstromregler (7) so ein, daß der gewünschte Luftstrom erzielt wird.

Staubsaugen

- ◆ Stellen Sie beim Gebrauch des Geräts sicher, daß der Schlauch nicht eingeklemmt, verdreht oder blockiert wird.
- ◆ Im Falle einer Überhitzung wird das Gerät automatisch abgeschaltet.
- ◆ Wird das Gerät abgeschaltet, ziehen Sie den Stecker des Geräts aus der Steckdose und lassen Sie das Gerät 2 - 3 Stunden abkühlen.

Hinweise für optimale Arbeitsergebnisse

- ◆ Bei Arbeiten an unzugänglichen Stellen entfernen Sie vorübergehend den Zubehöralter vom Rohr, um Ihren Einsatzbereich zu erweitern.
- ◆ Bei Saugarbeiten auf Treppen beginnen Sie stets unten und arbeiten Sie nach oben. Stellen Sie das Gerät auf den Boden und arbeiten Sie bis zur Hälfte der Stufen. Tragen Sie das Gerät anschließend zu einer standsicheren Position, die sich mindestens eine Stufe unterhalb Ihrer Arbeitsposition befindet. Führen Sie die Arbeit anschließend bis zur oberen Hälfte der Stufen aus.

Tragen des Geräts (Abb. J)

Beim Gebrauch kann das Gerät am Griff (4) getragen werden.

- ◆ Schwenken Sie den Griff wie angegeben in seine Position.

Kurzzeitiges Parken des Saugkopfs (Abb. K)

- ◆ Verwenden Sie die Parkposition (34), um den Saugkopf kurzzeitig zu parken.

Verstauen des Geräts (Abb. L)

Achtung! Wird das Gerät verstaut, schalten Sie das Gerät ab und ziehen Sie den Netzstecker aus der Steckdose.

- ◆ Vergewissern Sie sich, daß das Kabel vollständig aufgewickelt ist.
- ◆ Stellen Sie das Gerät aufrecht hin.
- ◆ Parken Sie das Rohr, indem Sie die Furchen am Kopf und am Rohr wie angegeben in die entsprechenden Schlitze am Gerät setzen. Die Arretierungsvorrichtung (32) rastet automatisch ein.
- ◆ Bewahren Sie das Gerät an einem trockenen Ort auf. Das Gerät kann am integrierten Griff (33) getragen werden.
- ◆ Um das Rohr zum Gebrauch vom Gerät zu entfernen, drücken Sie auf einen der Löseknöpfe und heben Sie das Rohr und den Kopf aus den Parkschlitzen heraus.

Wartung

Ihr Black & Decker Gerät wurde im Hinblick auf eine lange Lebensdauer und einen möglichst geringen Wartungsaufwand entwickelt. Ein dauerhafter, einwandfreier Betrieb setzt eine regelmäßige Reinigung voraus.

Achtung! Vor der Durchführung von Wartungs- oder Reinigungsarbeiten am Gerät ziehen Sie den Netzstecker aus der Steckdose.

- ◆ Reinigen Sie regelmäßig die Lüftungsschlitze im Gerät mit Hilfe einer weichen Bürste oder eines trockenen Tuches.
- ◆ Reinigen Sie regelmäßig das Motorgehäuse mit Hilfe eines feuchten Tuches. Verwenden Sie keine scheuernden Reinigungsmittel oder Reinigungsmittel auf Lösungsmittelbasis.

Erneuern des Staubbeutels (Abb. C & D)

Der Staubbeutel muß erneuert werden, wenn die rote "Beutel voll"-Anzeige (14) sichtbar ist, während das Gerät mit seiner maximalen Drehzahl läuft und der Kopf von der Oberfläche abgehoben ist. Ersatzstaubbeutel erhalten Sie bei Ihrem Black & Decker Händler (Kat.-Nr. VBP50).

- ◆ Öffnen Sie wie angegeben den Deckel (5) (Abb. C).
- ◆ Ziehen Sie den Staubbeutelhalter (16) sanft zurück, um den Kragen (17) des Staubbeutels vom Einlaß (18) zu entfernen (Abb. D).

- ◆ Entfernen Sie den alten Staubbeutel (15) vom Staubbeutelhalter.
- ◆ Setzen Sie einen neuen Staubbeutel in den Staubbeutelhalter ein.
- ◆ Richten Sie den Kragen (17) des Staubbeutels mit dem Einlaß (18) aus.
- ◆ Vergewissern Sie sich, daß der Einlaß in den Kragen des Staubbeutels hineinragt.
- ◆ Schließen Sie den Deckel.

Reinigung

Achtung! Bevor Sie irgendwelche Reinigungs- und Wartungsarbeiten vornehmen, schalten Sie das Gerät aus, und ziehen Sie den Netzstecker.

- ◆ Wischen Sie das Gerät von Zeit zu Zeit mit einem feuchten Tuch ab. Verwenden Sie keine scheuernden Reinigungsmittel oder Reinigungsmittel auf Lösungsmittelbasis. Tauchen Sie das Gerät nicht in Wasser ein.

Reinigen des Motorfilters (Abb. C, D & M)

Der Motorfilter verringert die Staubmenge, die in das Motorgehäuse gelangen kann, auf ein Mindestmaß. Der Filter ist wiederverwertbar und sollte regelmäßig gereinigt werden.

- ◆ Öffnen Sie wie angegeben den Deckel (5) (Abb. C).
- ◆ Entfernen Sie den Staubbeutel (Abb. D).
- ◆ Ziehen Sie den Filter (27) aus dem Filterhalter (28) heraus (Abb. M).
- ◆ Bürsten Sie lockeren Staub vom Filter.
- ◆ Setzen Sie den Filter wieder ein.
- ◆ Setzen Sie einen neuen Staubbeutel ein (Abb. D).
- ◆ Schließen Sie den Deckel (Abb. C).

Erneuerung der Filter (Abb. C, D & M - O)

Motorfilter und Auslaßfilter sollten alle 6 bis 9 Monate sowie bei Verschleiß oder Beschädigung erneuert werden. Die Filter müssen zur gleichen Zeit erneuert werden. Ersatzfiltersätze erhalten Sie bei Ihrem Black & Decker Händler (Kat.-Nr. VBF20).

Erneuerung des Motorfilters (Abb. C, D & M)

- ◆ Zur Erneuerung des Filters (27) gehen Sie wie oben beschrieben vor.

Erneuerung der Auslaßfilter (Abb. N & O)

- ◆ Öffnen Sie den Deckel (29).
- ◆ Entfernen Sie die alten Filter (30).
- ◆ Setzen Sie die neuen Filter wie angegeben ein.
- ◆ Schließen Sie den Deckel.

VB1850 – Erneuerung des HEPA-Filters

Der HEPA-Filter verringert die Staubmenge, die aus dem Motorgehäuse austritt, auf ein Mindestmaß. Die Filter sollten bei Verschleiß oder Beschädigung erneuert werden. Ersatzfilter erhalten Sie bei Ihrem Black & Decker Händler (Kat.-Nr. VBF30).

- ◆ Zur Erneuerung des Filters (31) gehen Sie wie oben beschrieben vor.

Umweltschutz



Black & Decker nimmt Ihre ausgedienten Black & Decker Geräte gern zurück und sorgt für eine umweltfreundliche Entsorgung. Diese Dienstleistung ist für Sie kostenlos. Um diese Dienstleistung in Anspruch zu nehmen, geben Sie das Gerät bitte bei einer autorisierten Reparaturwerkstatt ab, die für uns die Einsammlung übernimmt.

Die Adresse des zuständigen Büros von Black & Decker finden Sie in dieser Anleitung, darüber läßt sich die nächstgelegene Vertragswerkstatt ermitteln. Außerdem ist eine Liste der Vertragswerkstätten und aller Kundendienststellen von Black & Decker sowie der zuständigen Ansprechpartner im Internet zu finden unter: **www.2helpU.com**

Technische Daten

		VB1600	VB1710	VB1820
		VB1630	VB1740	VB1850
Spannung	V	230	230	230
Leistungsaufnahme	W	1.600	1.700	1.800
Kabellänge	m	6	6	6
Beutelgröße	l	3,5	3,5	3,5
Gewicht	kg	6	6	6

EG-Konformitätserklärung

VB1600/VB1630/VB1710/VB1740/VB1820/VB1850
Black & Decker erklärt, daß diese Produkte folgende Konformität erfüllen:

89/336/EWG, 73/23/EWG, EN 55014, EN 61000, EN 60335

Colin Wills
Leiter der Ingenieurabteilung
BDCI, 4/F, 2 Dai Wang Street
Tai Po Industrial Estate
Tai Po NT, Hong Kong
1-12-2003

UK-Patentanmeldungen Nr. 0314932.5

UK-Design-Anmeldungs-Nr. 3 013 969

Australische Design-Anmeldungs-Nr. 484/04

Design-Anmeldungs-Nr. Europäische Gemeinschaft 131 669

Chinesische Design-Anmeldungs-Nr. 200430002049

US-Design-Anmeldungs-Nr. 29/199,055

Garantie

Black & Decker vertraut auf die Qualität der eigenen Geräte und bietet dem Käufer eine außergewöhnliche Garantie.

Diese Garantiezusage versteht sich unbeschadet der gesetzlichen Gewährleistungsansprüche und schränkt diese keinesfalls ein. Sie gilt in sämtlichen Mitgliedsstaaten der Europäischen Union und der Europäischen Freihandelszone EFTA.

Tritt innerhalb von 24 Monaten ab Kaufdatum an einem Gerät von Black & Decker ein auf Material- oder Verarbeitungsfehler zurückzuführender Mangel auf, garantiert Black & Decker den Austausch defekter Teile, die Reparatur von Geräten mit üblichem Verschleiß bzw. den Austausch eines mangelhaften Geräts, ohne den Kunden dabei mehr als unbedingt nötig in Anspruch zu nehmen, allerdings vorbehaltlich folgender Ausnahmen:

- ◆ wenn das Gerät gewerblich, beruflich oder im Verleihgeschäft benutzt wurde;
- ◆ wenn das Gerät mißbräuchlich verwendet oder mit mangelnder Sorgfalt behandelt wurde;
- ◆ wenn das Gerät durch irgendwelche Fremdeinwirkung beschädigt wurde;
- ◆ wenn ein unbefugter Reparaturversuch durch anderes Personal als das einer Vertragswerkstatt oder des Black & Decker-Kundendienstes unternommen wurde.

Zur Inanspruchnahme dieser Garantie ist dem Verkäufer bzw. der Vertragswerkstatt ein Kaufnachweis vorzulegen.

Der Kaufnachweis muß Kaufdatum und Gerätetyp bescheinigen.

Die Adresse des zuständigen Büros von Black & Decker steht in dieser Anleitung, darüber läßt sich die nächstgelegene Vertragswerkstatt ermitteln. Außerdem ist eine Liste der Vertragswerkstätten und aller Kundendienststellen von Black & Decker sowie der zuständigen Ansprechpartner im Internet zu finden unter: **www.2helpU.com**

Bitte besuchen Sie unsere Webseite

www.blackanddecker.de, um Ihr neues Black & Decker Produkt zu registrieren und über neue Produkte und Sonderangebote aktuell informiert zu werden.

Weitere Informationen über die Marke Black & Decker und unsere Produkte finden Sie unter **www.blackanddecker.de**

Utilisation prévue

Votre aspirateur Black & Decker a été conçu pour aspirer des substances sèches.

Ce produit a été conçu pour une utilisation domestique.

Instructions de sécurité

- ◆ **Attention !** Lors de l'utilisation d'appareils électriques, observez les consignes de sécurité fondamentales, y compris celles qui suivent, afin de réduire les risques d'incendie, de décharges électriques, de blessures et de dommages matériels.
- ◆ Lisez et observez attentivement les instructions avant d'utiliser l'appareil.
- ◆ Le domaine d'utilisation de l'appareil est décrit dans le présent manuel. Une utilisation de l'appareil autre que celle prévue dans le présent manuel ou l'utilisation d'accessoires autres que ceux recommandés dans le présent manuel pourrait entraîner un risque de blessure.
- ◆ Conservez ces instructions à titre de référence.

Utilisation de l'appareil

- ◆ Vérifiez que l'outil est bien éteint avant de le brancher ou de le débrancher du secteur.
- ◆ Utilisez toujours cet appareil avec précaution.
- ◆ N'utilisez pas l'appareil à l'extérieur.
- ◆ Ne tirez jamais sur le câble électrique pour débrancher la prise du secteur. Préservez le câble de la chaleur, de l'huile et des arêtes tranchantes.
- ◆ Si le câble électrique est endommagé pendant l'utilisation, débranchez l'outil immédiatement. Ne touchez pas le câble électrique avant de le débrancher du secteur.
- ◆ Débranchez l'appareil du secteur lorsque vous ne l'utilisez pas, avant d'installer ou d'enlever des pièces et avant de le nettoyer.

Sécurité des tierces personnes

- ◆ Ne laissez jamais aucun enfant ou aucune personne non familiarisée avec ces instructions utiliser cet appareil.
- ◆ Ne laissez pas les enfants ou les animaux s'approcher de l'aire de travail ou toucher l'appareil ou le câble d'alimentation. Il faut redoubler de vigilance lorsque l'appareil est utilisé à proximité d'enfants.

Après emploi

- ◆ Débranchez l'appareil du secteur avant de le laisser sans surveillance et avant de remplacer, de nettoyer ou de contrôler une pièce quelconque de l'ensemble.
- ◆ Rangez l'appareil dans un endroit sec. Ne laissez pas les enfants s'approcher des appareils, même quand ils sont rangés.

Vérifications et réparations

- ◆ Avant d'utiliser l'appareil, vérifiez qu'il n'est pas endommagé et qu'il n'y a pas de pièces défectueuses. Assurez-vous que les pièces et les boutons ne sont pas endommagés et recherchez tout autre facteur qui pourrait nuire à son fonctionnement.
- ◆ N'utilisez pas l'appareil si une pièce est endommagée ou défectueuse.
- ◆ Faites réparer ou remplacer toute pièce endommagée par un réparateur agréé.
- ◆ Avant d'utiliser l'appareil, vérifiez que le câble électrique n'est pas endommagé ni usé.
- ◆ N'utilisez pas cet appareil si le câble électrique ou la prise du secteur sont endommagés ou défectueux.
- ◆ Si le câble électrique est endommagé, il doit être remplacé par un réparateur agréé pour éviter tout accident. Ne coupez pas le câble électrique et n'essayez pas de le réparer vous-même.
- ◆ N'essayez jamais d'enlever ou de changer des pièces autres que celles qui sont spécifiées dans ce manuel.

Double isolation



Cet appareil est doublement isolé ; par conséquent, aucun câble de masse n'est nécessaire. Vérifiez si la tension du secteur correspond à la tension indiquée sur la plaque d'identification.

Consignes supplémentaires de sécurité applicables aux aspirateurs

- ◆ N'utilisez pas l'appareil pour aspirer des liquides.
- ◆ N'utilisez pas l'appareil pour aspirer des matières inflammables.
- ◆ N'utilisez pas l'appareil près de l'eau. N'immergez pas l'appareil dans l'eau.
- ◆ Éloignez le visage et les yeux du courant d'air provoqué par le moteur.
- ◆ Quand vous utilisez l'appareil, maintenez les enfants et les animaux à une distance de sécurité.
- ◆ Travaillez toujours du bas vers le haut quand vous utilisez l'appareil dans un escalier et placez-le au moins une marche en dessous de vous.
- ◆ L'appareil ne doit pas être utilisé sans le suceur ou un autre accessoire monté sur le tube.
- ◆ N'utilisez que les accessoires Black & Decker.

Caractéristiques

Cet appareil comprend toutes ou certaines des caractéristiques suivantes (fig. A).

1. Interrupteur marche/arrêt
2. Bouton de réglage de vitesse (VB1630/VB1740/VB1820/VB1850)
3. Bouton enrouleur de cordon
4. Poignée

5. Couvercle
6. Tuyau
7. Bouton de commande de débit d'air
8. Tube télescopique
9. Suceur
10. Roues

Cet appareil est livré avec quelques-uns ou tous les éléments suivants (fig. B) :

11. Suceur plat
12. Brosse
13. Suceur à parquets (VB1630/VB1740/VB1850)

Le suceur à parquets n'est pas fourni pour tous les modèles. Cet accessoire est disponible auprès de votre revendeur / centre d'entretien Black & Decker (réf. VW70).

Montage

Mise en place du sac à poussière (fig. C & D)

Attention ! Avant de commencer à utiliser l'appareil, n'oubliez pas de mettre un sac à poussière.

- ◆ Ouvrez le couvercle (5) comme indiqué (fig. C).
- ◆ Placez le sac à poussière (15) dans le support (16).
- ◆ Alignez l'entrée du sac à poussière (17) avec l'orifice d'aspiration (18) (fig. D).
- ◆ Vérifiez que l'orifice d'aspiration pénètre bien dans l'entrée du sac à poussière.
- ◆ Refermez le couvercle.

Branchement du tuyau (fig. E)

- ◆ Insérez le raccord du tuyau (18) dans l'orifice (19) de l'appareil.
- ◆ Poussez sur le tuyau jusqu'à ce que les boutons de libération (20) s'enclenchent.
- ◆ Pour enlever le tuyau, appuyez sur les boutons de libération et tirez sur le tuyau.

Montage du tube télescopique (fig. F)

- ◆ Appuyez sur le bouton de verrouillage (21) et glissez l'embout du tuyau (22) dans le tube (8) jusqu'à ce qu'il s'enclenche.
- ◆ Pour enlever le tube, appuyez sur le bouton de verrouillage et sortez le tuyau du tube.

Montage du suceur (fig. G)

Le suceur (9) permet d'aspirer les tapis et les surfaces dures (par exemple les stratifiés et les carreaux).

- ◆ Appuyez sur le bouton de verrouillage (23) et glissez le tube (8) dans le suceur (9) jusqu'à ce qu'il s'enclenche.
- ◆ Pour enlever le suceur, appuyez sur le bouton de verrouillage et tirez-le hors du tube.

VB1630/VB1740/VB1850 – Montage du suceur à parquets (fig. G)

Le suceur à parquets (13) permet d'aspirer les surfaces en bois et polies.

- ◆ Appuyez sur le bouton de verrouillage (23) et glissez le tube (8) dans le suceur jusqu'à ce qu'il s'enclenche.
- ◆ Pour enlever le suceur, appuyez sur le bouton de verrouillage et tirez-le hors du tube.

Montage des accessoires (fig. G & H)

Le suceur plat (11) permet d'aspirer les endroits étroits et difficiles d'accès. La brosse (12) est destinée à aspirer les meubles, les persiennes, les rideaux, les fenêtres et les escaliers. Il est possible de monter les accessoires sur le tuyau (6) et sur le tube (8). Les accessoires se rangent dans le support prévu à cet effet (24).

- ◆ Retirez l'accessoire du support (fig. H).
- ◆ Appuyez sur le bouton de verrouillage (21 ou 23) et glissez l'accessoire sur l'embout du tuyau (22) ou sur le tube (8) (fig. G).
- ◆ Pour enlever un accessoire, appuyez sur le bouton de verrouillage (21 ou 23) et retirez-le.

Utilisation

Dérroulement et enroulement du cordon (fig. A)

Le bouton d'enroulement du cordon (3) est maniable avec la main ou avec le pied.

- ◆ Tirez une longueur suffisante de cordon pour utiliser l'appareil.
- ◆ Après l'emploi, enfoncez le bouton d'enroulement du cordon pour ranger ce dernier. Guidez manuellement le cordon pour qu'il ne se torde pas. Vérifiez que la prise est bien placée.

Réglage de la longueur du tube (fig. I)

Le tube télescopique (8) peut être réglé sur 21 positions.

- ◆ Appuyez sur le bouton de réglage (25) et faites glisser le tube à la longueur voulue.
- ◆ Relâchez le bouton.

Réglage du suceur (fig. G)

- ◆ Pour aspirer les tapis, placez le sélecteur de surface (26) sur la position supérieure.
- ◆ Pour aspirer des stratifiés, des carreaux, etc., placez le sélecteur de surface sur la position inférieure.

Démarrage et arrêt (fig. A)

L'interrupteur marche/arrêt (1) peut être actionné avec le pied ou avec la main.

- ◆ Pour allumer l'appareil, appuyez sur l'interrupteur marche/arrêt (1).

- ◆ Pour éteindre l'appareil, appuyez de nouveau sur l'interrupteur marche/arrêt.

VB1630/VB1740/VB1820/VB1850 – Réglage de la force d'aspiration (fig. A)

Le bouton de commande de vitesse (2) permet de régler avec précision la force d'aspiration.

- ◆ Ajustez la vitesse souhaitée à l'aide du bouton de commande de vitesse (2).
- ◆ Pour aspirer des surfaces dures (par exemple les sols), choisissez une vitesse élevée.
- ◆ Pour aspirer des surfaces molles (par exemple les tapisseries), choisissez une vitesse faible.

Réglage du débit d'air (fig. A)

- ◆ Ajustez le débit d'air selon vos besoins à l'aide du bouton de commande de débit d'air (7).

Aspiration

- ◆ Prenez garde, quand vous utilisez l'appareil, à ne pas coincer, tordre ou bloquer le tuyau.
- ◆ En cas de surchauffe, un sectionneur sera activé et arrêtera automatiquement l'appareil.
- ◆ Si l'appareil s'arrête, débranchez-le et laissez-le refroidir 2 - 3 heures.

Conseils pour une utilisation optimale

- ◆ Quand vous aspirez des espaces restreints, retirez provisoirement le support d'accessoires du tube afin de mieux travailler.
- ◆ Dans les escaliers, commencez toujours par le bas et travaillez en montant. Placez l'appareil sur le sol et aspirez l'escalier jusqu'au milieu. Mettez ensuite l'appareil en position stable sur une marche se trouvant au moins un niveau en dessous de vous, et faites le reste de l'escalier.

Comment porter l'appareil (fig. J)

L'appareil peut, pendant l'utilisation, être transporté par la poignée (4).

- ◆ Inclinez la poignée sur la position indiquée.

Parking provisoire du suceur (fig. K)

- ◆ Pour ranger provisoirement le suceur, placez-le sur la position de parking (34).

Rangement de l'appareil (fig. L).

Attention ! Lorsque vous rangez l'appareil, éteignez-le et débranchez-le.

- ◆ Vérifiez que le cordon est entièrement enroulé.
- ◆ Placez l'appareil debout.

- ◆ Rangez le tube en mettant les saillies du suceur et le tube dans les fentes correspondantes de l'appareil, comme indiqué. Le dispositif de verrouillage (32) s'enclenche automatiquement.
- ◆ Rangez l'appareil dans un endroit sec. L'appareil doit être transporté à l'aide de la poignée intégrée (33).
- ◆ Pour séparer le tube de l'appareil, enfoncez l'un des boutons de blocage et séparez le tube et le suceur des fentes de rangement.

Entretien

Votre appareil Black & Decker a été conçu pour fonctionner pendant longtemps avec un minimum d'entretien.

Un fonctionnement satisfaisant et durable dépend d'un nettoyage régulier et d'un entretien approprié de l'appareil.

Attention ! Avant d'intervenir sur l'appareil, débranchez-le.

- ◆ Nettoyez régulièrement les orifices de ventilation de votre appareil à l'aide d'une brosse douce ou d'un chiffon sec.
- ◆ Nettoyez régulièrement le compartiment du moteur à l'aide d'un chiffon humide. N'utilisez pas de produit abrasif ou à base de solvant.

Changement du sac à poussière (fig. C & D)

Si l'indicateur rouge de sac plein (14) est visible alors que l'appareil travaille à la vitesse maximum et que le suceur est décollé de la surface, le sac à poussière doit être remplacé. Vous pouvez vous procurer des sacs à poussière auprès des détaillants Black & Decker (réf. VBP50).

- ◆ Ouvrez le couvercle (5) comme indiqué (fig. C).
- ◆ Repoussez légèrement le support (16) du sac à poussière pour dégager l'entrée du sac (17) de l'orifice (18) (fig. D).
- ◆ Enlevez le sac à poussière plein (15) du support.
- ◆ Placez un sac à poussière neuf dans le support.
- ◆ Alignez l'entrée du sac à poussière (17) avec l'orifice d'aspiration (18).
- ◆ Vérifiez que l'orifice d'aspiration pénètre bien dans l'entrée du sac à poussière.
- ◆ Refermez le couvercle.

Nettoyage

Attention ! Avant d'effectuer tout entretien ou nettoyage, éteignez et débranchez l'outil.

- ◆ Essayez de temps en temps l'appareil avec un chiffon humide. N'utilisez pas de produit abrasif ou à base de solvant. N'immergez pas l'appareil dans l'eau.

Nettoyage du filtre du moteur (fig. C, D & M)

Le filtre du moteur réduit à son minimum la quantité de poussière qui entre dans le compartiment du moteur. Les filtres sont réutilisables et doivent être nettoyés régulièrement.

- ◆ Ouvrez le couvercle (5) comme indiqué (fig. C).
- ◆ Retirez le sac à poussière (fig. D).
- ◆ Sortez le filtre (27) de son support (28) (fig. M).
- ◆ Enlevez les poussières détachables du filtre à l'aide d'une brosse.
- ◆ Changez le filtre.
- ◆ Remettez un sac à poussière neuf (fig. D).
- ◆ Refermez le couvercle (fig. C).

Changement des filtres (fig. C, D & M - O)

Le filtre du moteur et le filtre de sortie doivent être remplacés tous les 6 à 9 mois et chaque fois qu'ils sont usés ou endommagés. Les filtres doivent être changés en même temps. Vous pouvez vous procurer des jeux de filtres neufs auprès des détaillants Black & Decker (réf. VBF20).

Changement du filtre du moteur (fig. C, D & M)

- ◆ Procédez comme expliqué ci-dessus pour remplacer le filtre (27).

Changement des filtres de sortie (fig. N & O)

- ◆ Ouvrez le couvercle (29).
- ◆ Retirez les filtres usagés (30).
- ◆ Insérez les filtres neufs comme indiqué.
- ◆ Refermez le couvercle.

VB1850 – Changement du filtre HEPA

Le filtre HEPA réduit à son minimum la quantité de poussière qui sort du compartiment du moteur. Les filtres doivent être remplacés dès qu'ils sont usés ou endommagés. Vous pouvez vous procurer des filtres neufs auprès des détaillants Black & Decker (réf. VBF30).

- ◆ Procédez comme expliqué ci-dessus pour remplacer le filtre (31).

Protection de l'environnement



Black & Decker fournit un dispositif permettant de recycler les produits Black & Decker lorsqu'ils ont atteint la fin de leur cycle de vie. Ce service est gratuit. Pour pouvoir profiter de ce service, veuillez retourner votre produit à un réparateur agréé qui se chargera de le collecter pour nous.

Pour connaître l'adresse du réparateur agréé le plus proche de chez vous, contactez le bureau Black & Decker à l'adresse indiquée dans ce manuel. Vous pourrez aussi trouver une liste des réparateurs agréés de Black & Decker et de plus amples détails sur notre service après-vente sur le site Internet à l'adresse suivante : **www.2helpU.com**

Caractéristiques techniques

		VB1600	VB1710	VB1820
		VB1630	VB1740	VB1850
Tension	V	230	230	230
Puissance absorbée	W	1.600	1.700	1.800
Longueur de câble	m	6	6	6
Capacité du sac	l	3,5	3,5	3,5
Poids	kg	6	6	6

Déclaration de conformité CE

VB1600/VB1630/VB1710/VB1740/VB1820/VB1850

Black & Decker déclare que ces produits sont conformes à :
89/336/CEE, 73/23/CEE, EN 55014, EN 61000, EN 60335

Colin Wills

Directeur Ingénierie

BDCI, 4/F, 2 Dai Wang Street

Tai Po Industrial Estate

Tai Po NT, Hong Kong

1-12-2003

N° de demande de brevet UK : 0314932.5

Dessin pour demande de brevet UK n° 3 013 969

Dessin pour demande de brevet Australie n° 484/04

Dessin pour demande de brevet UE n° 131 669

Dessin pour demande de brevet Chine n° 200430002049

Dessin pour demande de brevet US n° 29/199,055

Garantie

Black & Decker est confiant dans la qualité de ses produits et vous offre une garantie très étendue. Ce certificat de garantie est un document supplémentaire et ne peut en aucun cas se substituer à vos droits légaux. La garantie est valable sur tout le territoire des Etats Membres de l'Union Européenne et de la Zone de Libre Echange Européenne.

Si un produit Black & Decker s'avère défectueux en raison de matériaux en mauvaises conditions, d'une erreur humaine, ou d'un manque de conformité dans les 24 mois suivant la date d'achat, Black & Decker garantit le remplacement des pièces défectueuses, la réparation des produits usés ou cassés ou remplace ces produits à la convenance du client, sauf dans les circonstances suivantes :

- ◆ Le produit a été utilisé dans un but commercial, professionnel, ou a été loué.
- ◆ Le produit a été mal utilisé ou avec négligence.
- ◆ Le produit a subi des dommages à cause d'objets étrangers, de substances ou à cause d'accidents.
- ◆ Des réparations ont été tentées par des techniciens ne faisant pas partie du service technique de Black & Decker.

Pour avoir recours à la garantie, il est nécessaire de fournir une preuve d'achat au vendeur ou à un réparateur agréé. Pour connaître l'adresse du réparateur agréé le plus proche de chez vous, contactez le bureau Black & Decker à l'adresse indiquée dans ce manuel. Vous pourrez aussi trouver une liste des réparateurs agréés de Black & Decker et de plus amples détails sur notre service après-vente sur le site Internet à l'adresse suivante : **www.2helpU.com**

Visitez notre site Web **www.blackanddecker.fr** pour enregistrer votre nouveau produit Black & Decker et être informé des nouveaux produits et des offres spéciales. Pour plus d'informations concernant la marque Black & Decker et notre gamme de produits, consultez notre site **www.blackanddecker.fr**

Uso previsto

L'aspirapolvere Black & Decker consente di aspirare sostanze asciutte.

Questo prodotto é destinato esclusivamente all'uso domestico.

Precauzioni di sicurezza

- ◆ **Attenzione!** Quando si utilizzano delle apparecchiature elettriche, per ridurre il rischio di incendio, scosse elettriche, infortuni alle persone e danni alle cose è necessario seguire sempre delle precauzioni di sicurezza basilari, incluso le seguenti:
- ◆ Prima di adoperare l'apparecchio, leggere attentamente le istruzioni di questo manuale.
- ◆ L'utilizzo previsto è quello descritto in questo manuale. L'uso di accessori o attrezzature diversi o l'uso di questo elettrodomestico per scopi diversi da quelli indicati nel presente manuale d'uso comportano il rischio di infortuni.
- ◆ Conservare questo manuale d'istruzioni per successive consultazioni.

Uso dell'elettrodomestico

- ◆ Accertare che l'elettrodomestico sia spento prima di collegarlo o scollegarlo dall'alimentazione.
- ◆ Fare sempre attenzione quando si usa l'apparecchio.
- ◆ Evitare di utilizzarlo all'esterno.
- ◆ Non tirare mai il cavo di alimentazione per disinserire la spina dalla presa. Mantenere il cavo lontano da fonti di calore, da olio e bordi taglienti.
- ◆ Se il cavo di alimentazione si danneggia durante l'uso, disinserire immediatamente la spina dell'apparecchio dalla presa di corrente. Non toccare il cavo di alimentazione se non dopo aver disinserito la spina dalla presa di corrente.
- ◆ Scollegare l'elettrodomestico dall'alimentazione quando non è in uso, prima di installare o rimuovere dei componenti e prima di pulirlo.

Sicurezza altrui

- ◆ Vietare l'uso dell'apparecchio ai bambini e agli adulti che non abbiano letto il presente manuale d'istruzioni.
- ◆ Vietare a bambini o ad animali di avvicinarsi all'area in cui si usa l'apparecchio, di toccare l'apparecchio o il cavo di alimentazione. Fare estrema attenzione quando si usa l'apparecchio in presenza di bambini.

Dopo l'uso

- ◆ Prima di lasciare incustodito l'elettrodomestico, e prima di cambiarne, pulirne o ispezionarne qualsiasi parte, spegnerlo ed estrarre la spina dalla presa.
- ◆ Quando non è in funzione, l'apparecchio deve essere conservato in un luogo asciutto inaccessibile ai bambini.

Ispezione e riparazioni

- ◆ Prima dell'uso, verificare che non vi siano componenti danneggiati o difettosi. Verificare anche che non vi siano parti rotte, che gli interruttori non siano danneggiati e che non vi sia nulla che comprometta il funzionamento dell'apparecchio.
- ◆ Non usare l'elettrodomestico se ci sono elementi danneggiati o difettosi
- ◆ Eventuali elementi difettosi o danneggiati devono essere sostituiti o riparati da un tecnico autorizzato.
- ◆ Prima dell'uso, controllare che il cavo di alimentazione non presenti segni di danni, invecchiamento e usura.
- ◆ Non usare l'elettrodomestico se il cavo di alimentazione o la spina sono danneggiati o difettosi.
- ◆ Se il cavo di alimentazione o la spina sono danneggiati o difettosi devono essere riparati da un tecnico autorizzato, onde evitare situazioni pericolose. Non tagliare il cavo di alimentazione e non tentare di ripararlo personalmente.
- ◆ Non tentare mai di smontare o sostituire componenti diversi da quelli indicati nel presente manuale.

Doppio isolamento



Il doppio isolamento di cui è provvisto l'apparecchio rende superfluo il filo di terra. Controllare sempre che la tensione di alimentazione corrisponda a quella indicata sulla targhetta.

Istruzioni di sicurezza supplementari per gli aspirapolvere

- ◆ Non usare l'apparecchio per aspirare liquidi.
- ◆ Non usare l'apparecchio per aspirare materiali che potrebbero incendiarsi.
- ◆ Evitare che l'apparecchio venga a contatto con acqua. Non immergere l'apparecchio in acqua.
- ◆ Mantenere il tiraggio del motore lontano dagli occhi e dal viso.
- ◆ Quando si usa l'apparecchio bambini e animali devono restare a distanza di sicurezza.
- ◆ Quando si puliscono dei gradini, procedere sempre dal basso verso l'alto e tenere l'apparecchio almeno di un gradino al di sotto rispetto alla propria posizione.
- ◆ Non adoperare l'apparecchio senza la testa di aspirazione o un altro accessorio adatto montato sul tubo.
- ◆ Usare esclusivamente accessori Black & Decker.

Funzioni

Su questo apparecchio sono presenti tutte le seguenti funzioni, o alcune di esse (fig. A).

1. Interruttore acceso/spento
2. Interruttore di regolazione della velocità (VB1630/VB1740/VB1820/VB1850)
3. Pulsante di riavvolgimento del cavo
4. Maniglia

5. Coperchio
6. Flessibile
7. Interruttore di regolazione del flusso di aria
8. Tubo di prolunga
9. Testa di aspirazione
10. Ruote

Questo apparecchio, inoltre, viene fornito con in dotazione alcuni o tutti i seguenti accessori (fig. B):

11. Bocchetta a lancia
12. Spazzola
13. Spazzola per parquet (VB1630/VB1740/VB1850)

La spazzola per parquet non è fornita con tutti i modelli. Tale accessorio è disponibile presso il rivenditore / il centro di assistenza Black & Decker di zona (n. cat. VW70).

Montaggio

Inserimento del sacchetto raccogli-polvere (figg. C & D)

Attenzione! Prima del primo impiego, verificare che sia in posizione un sacchetto raccogli-polvere.

- ◆ Aprire il coperchio (5) come illustrato (fig. C).
- ◆ Collocare un sacchetto raccogli-polvere (15) nel portasacchetto (16).
- ◆ Allineare il collare del sacchetto raccogli-polvere (17) alla bocca di entrata (18) (fig. D).
- ◆ Controllare che la bocca di entrata sia inserita nel collare del sacchetto raccogli-polvere.
- ◆ Chiudere il coperchio.

Connessione del tubo flessibile (fig. E)

- ◆ Inserire il connettore del flessibile (18) nella bocca di entrata (19) dell'apparecchio.
- ◆ Fare scivolare il flessibile in avanti finché i pulsanti di sgancio (20) non scattano in posizione.
- ◆ Per staccare il flessibile, premere i pulsanti di sgancio e poi estrarlo.

Montaggio del tubo di prolunga (fig. F)

- ◆ Premere il pulsante di bloccaggio (21) e far scivolare il beccuccio del flessibile (22) nel tubo (8), finché non scatta in posizione.
- ◆ Per togliere il tubo, premere il pulsante di bloccaggio ed estrarre il flessibile dal tubo.

Montaggio della testa di aspirazione (fig. G)

La testa di aspirazione (9) consente di pulire i tappeti e le superfici dure (ad es. laminati e mattonelle).

- ◆ Premere il pulsante di bloccaggio (23) e far scivolare il tubo (8) nella testa (9), finché non scatta in posizione.

- ◆ Per togliere la testa, premere il pulsante di bloccaggio ed estrarre il tubo dalla testa.

VB1630/VB1740/VB1850 – Montaggio della spazzola per parquet (fig. G)

La spazzola per parquet (13) consente di pulire le superfici in legno e lucide.

- ◆ Premere il pulsante di bloccaggio (23) e far scivolare il tubo (8) nella testa finché non scatta in posizione.
- ◆ Per togliere la testa, premere il pulsante di bloccaggio ed estrarre il tubo dalla testa.

Montaggio degli accessori (figg. G & H)

La bocchetta a fessura (11) permette di pulire i punti più stretti e inaccessibili. La spazzola (12) permette di pulire mobili, persiane, tende, finestre e scale. Gli accessori possono essere montati sia sul flessibile (6) che sul tubo (8). Quando non vengono utilizzati, gli accessori possono essere riposti nell'apposito vano (24).

- ◆ Estrarre gli accessori dal vano (fig. H).
- ◆ Premere il pulsante di bloccaggio (21 o 23) e far scivolare l'accessorio sul beccuccio del flessibile (22) o sul tubo (8) (fig. G).
- ◆ Per togliere un accessorio, premere il pulsante di bloccaggio (21 o 23) ed estrarlo.

Uso

Svolgimento e riavvolgimento del cavo (fig. A)

Il pulsante di riavvolgimento del cavo (3) può essere azionato con la mano o il piede.

- ◆ Prima dell'uso, estrarre il cavo dal retro dell'apparecchio fino a ottenere una lunghezza soddisfacente.
- ◆ Dopo l'uso, premere il pulsante di riavvolgimento per riporre il cavo nel suo alloggiamento. Guidare il cavo con la mano per evitare che oscilli. Controllare che la spina sia nella posizione corretta.

Regolazione della lunghezza del tubo (fig. I)

Il tubo di prolunga (8) può essere regolato in 21 posizioni.

- ◆ Innestare la manopola di regolazione (25) e far scivolare il tubo alla lunghezza desiderata.
- ◆ Rilasciare la manopola.

Regolazione della testa di aspirazione (fig. G)

- ◆ Per pulire i tappeti, mettere il selettore dei pavimenti (26) in posizione alta.
- ◆ Per pulire laminati, mattonelle ecc., mettere il selettore dei pavimenti (26) in posizione bassa.

Avviamento e spegnimento (fig. A)

L'interruttore on/off (1) può essere azionato con la mano o il piede.

- ◆ Per accendere l'apparecchio, premere l'interruttore on / off (1).
- ◆ Per spegnere l'apparecchio, premere di nuovo l'interruttore on / off.

VB1630/VB1740/VB1820/VB1850 – Impostazione della potenza di aspirazione (fig. A)

Il controllo della velocità (2) consente di regolare con precisione la potenza di aspirazione.

- ◆ Regolare l'interruttore di regolazione della velocità (2) sull'impostazione desiderata.
- ◆ Per pulire superfici dure (ad es. pavimenti), selezionare una velocità elevata.
- ◆ Per pulire superfici morbide (ad es. tappezzeria), selezionare una velocità bassa.

Regolazione del flusso di aria (fig. A)

- ◆ Spostare la manopola di regolazione del flusso di aria (7) per ottenere il flusso desiderato.

Aspirazione della polvere

- ◆ Quando si adopera l'apparecchio, controllare che il flessibile non sia intrappolato, piegato o bloccato.
- ◆ In caso di surriscaldamento, l'apparecchio si ferma automaticamente.
- ◆ Se l'apparecchio si spegne, estrarre la spina dalla presa e lasciarlo raffreddare 2 - 3 ore.

Consigli per un'ottima utilizzazione

- ◆ Quando si puliscono delle aree ristrette, rimuovere temporaneamente il porta-accessori dal tubo, per agevolare i movimenti.
- ◆ Quando si puliscono le scale, procedere sempre dal basso verso l'alto. Mettere l'apparecchio sul pavimento e pulire metà della scala. Poi collocare l'aspirapolvere in un punto che sia di almeno un gradino al di sotto della propria posizione e pulire l'altra metà della scala.

Trasporto dell'apparecchio (fig. J)

Durante l'uso, l'aspirapolvere può essere trasportato afferrandolo per la maniglia (4).

- ◆ Inclinare la maniglia in posizione, come illustrato.

Esclusione temporanea della testa di aspirazione (fig. K)

- ◆ Usare la posizione di esclusione (34) per escludere temporaneamente la testa di aspirazione.

Conservazione dell'elettrodomestico (fig. L)

Attenzione! Per riporre l'elettrodomestico, spegnerlo e disinsierne la spina.

- ◆ Accertare che il cavo sia completamente riavvolto.
- ◆ Mettere l'elettrodomestico in posizione verticale.
- ◆ Sistemare il tubo collocando le sporgenze all'estremità superiore del tubo nelle fessure corrispondenti dell'elettrodomestico, come mostrato. Il dispositivo di bloccaggio (32) s'innesta automaticamente.
- ◆ Riporre l'apparecchio in un luogo asciutto. L'aspirapolvere può essere trasportato afferrandolo per la maniglia incorporata (33).
- ◆ Per estrarre il tubo per utilizzare l'aspirapolvere, premere uno dei pulsanti di bloccaggio e sollevare tubo e testa dalle fessure.

Manutenzione

Questo elettrodomestico Black & Decker é stato progettato per funzionare a lungo con un minimo di manutenzione.

Per ottenere prestazioni sempre soddisfacenti occorre avere cura dell'unità e sottoporla a pulizia e manutenzione periodica.

Attenzione! Prima di eseguire qualsiasi intervento di manutenzione o pulizia, estrarre la spina dalla presa.

- ◆ Le prese di ventilazione dell'elettrodomestico vanno pulite regolarmente con un pennello morbido o un panno asciutto.
- ◆ Il vano del motore va pulito regolarmente con un panno umido. Non usare materiali abrasivi o detergenti a base di solventi.

Sostituzione del sacchetto raccogli-polvere (figg. C & D)

Il sacchetto raccogli-polvere deve essere sostituito se l'indicatore rosso che ne segnala il riempimento (14) diventa visibile quando l'elettrodomestico funziona a massima velocità e la testa è sollevata dalla superficie. I sacchetti di ricambio sono disponibili presso il concessionario Black & Decker (cat. n. VBP50).

- ◆ Aprire il coperchio (5) come illustrato (fig. C).
- ◆ Tirare indietro di poco il portasacchetto (16) per estrarre il collare del sacchetto raccogli-polvere (17) dalla bocca di entrata (18) (fig. D).
- ◆ Rimuovere dal portasacchetto il vecchio sacchetto (15).
- ◆ Mettere nel portasacchetto un nuovo sacchetto raccogli-polvere.
- ◆ Allineare il collare del sacchetto raccogli-polvere (17) alla bocca di entrata (18).
- ◆ Controllare che la bocca di entrata sia inserita nel collare del sacchetto raccogli-polvere.
- ◆ Chiudere il coperchio.

Pulizia

Attenzione! Prima di eseguire qualsiasi procedura di pulizia o manutenzione, spegnere l'elettrodomestico e disinserire la spina dalla presa.

- ◆ Pulire di tanto in tanto l'apparecchio con un panno umido. Non usare materiali abrasivi o detergenti a base di solventi. Non immergere l'apparecchio in acqua.

Pulizia del filtro del motore (figg. C, D & M)

Il filtro del motore riduce al minimo la quantità di polvere che penetra nel vano motore. Il filtro è riutilizzabile e deve essere pulito regolarmente.

- ◆ Aprire il coperchio (5) come illustrato (fig. C).
- ◆ Estrarre il sacchetto raccogli-polvere (fig. D).
- ◆ Estrarre il filtro (27) dal portafiltro (28) (fig. M).
- ◆ Spazzolare via eventuali granelli di polvere rimasti sul filtro.
- ◆ Reinstallare il filtro.
- ◆ Installare un nuovo sacchetto raccogli-polvere (fig. D).
- ◆ Chiudere il coperchio (fig. C).

Sostituzione dei filtri (figg. C, D & M - O)

Il filtro del motore e il filtro dell'uscita devono essere sostituiti ogni 6 - 9 mesi e quando sono usurati o danneggiati. I filtri devono essere sostituiti contemporaneamente. I set dei filtri di ricambio sono disponibili presso il concessionario Black & Decker (cat. n. VBF20).

Sostituzione del filtro del motore (figg. C, D & M)

- ◆ Per sostituire il filtro (27), procedere come descritto sopra.

Sostituzione dei filtri dell'uscita (figg. N & O)

- ◆ Aprire il coperchio (29).
- ◆ Rimuovere i filtri usati (30).
- ◆ Installare i nuovi filtri come illustrato.
- ◆ Chiudere il coperchio.

VB1850 - Sostituzione del filtro HEPA

Il filtro HEPA riduce al minimo la quantità di polvere che fuoriesce dal vano motore. I filtri devono essere sostituiti quando sono usurati o danneggiati. I filtri di ricambio sono disponibili presso il concessionario Black & Decker (cat. n. VBF30).

- ◆ Per sostituire il filtro (31), procedere come descritto sopra.

Protezione dell'ambiente



Black & Decker offre ai suoi clienti la possibilità di riciclare i prodotti Black & Decker che hanno esaurito la loro vita di servizio. Il servizio viene offerto gratuitamente. Per utilizzarlo, è sufficiente restituire il prodotto a qualsiasi tecnico autorizzato, incaricato della raccolta per conto dell'azienda.

Per individuare il tecnico autorizzato più vicino, rivolgersi alla sede Black & Decker locale, presso il recapito indicato nel presente manuale. Altrimenti un elenco completo di tutti i tecnici autorizzati Black & Decker e i dettagli completi sui contatti e i servizi post-vendita sono disponibili su Internet presso: **www.2helpU.com**

Dati tecnici

		VB1600	VB1710	VB1820
		VB1630	VB1740	VB1850
Tensione	V	230	230	230
Potenza assorbita	W	1.600	1.700	1.800
Lunghezza del cavo	m	6	6	6
Dimensione del sacchetto	l	3,5	3,5	3,5
Peso	kg	6	6	6

Dichiarazione europea di conformità del macchinario

VB1600/VB1630/VB1710/VB1740/VB1820/VB1850

Black & Decker dichiara che i presenti prodotti sono conformi a:
89/336/CEE, 73/23/CEE, EN 55014, EN 61000, EN 60335

Colin Wills

Direttore tecnico

BDCI, 4/F, 2 Dai Wang Street

Tai Po Industrial Estate

Tai Po NT, Hong Kong

1-12-2003

N. di richiesta brevetto nel Regno Unito. 0314932.5

N. di richiesta del modello depositato nel Regno Unito.

3 013 969

N. di richiesta del modello depositato in Australia. 484/04

N. di richiesta del modello depositato nella Comunità Europea.

131 669

N. di richiesta del modello depositato in Cina. 200430002049

N. di richiesta del modello depositato negli USA. 29/199,055

Garanzia

Certa della qualità dei suoi prodotti, Black & Decker offre una garanzia eccezionale. Il presente certificato di garanzia è complementare ai diritti statutari e non li pregiudica in alcun modo. La garanzia è valida entro il territorio degli Stati membri dell'Unione Europea e dell'EFTA (European Free Trade Area).

Se un prodotto Black & Decker risulta difettoso per qualità del materiale, della costruzione o per mancata conformità entro 24 mesi dalla data di acquisto, Black & Decker garantisce la sostituzione delle parti difettose, provvede alla riparazione dei prodotti se ragionevolmente usurati oppure alla loro sostituzione, in modo da ridurre al minimo il disagio del cliente a meno che:

- ◆ Il prodotto non sia stato destinato ad usi commerciali, professionali o al noleggio;
- ◆ Il prodotto non sia stato usato in modo improprio o scorretto;
- ◆ Il prodotto non abbia subito danni causati da oggetti o sostanze estranee oppure incidenti;
- ◆ Il prodotto non abbia subito tentativi di riparazione non effettuati da tecnici autorizzati né dall'assistenza Black & Decker.

Per attivare la garanzia è necessario esibire la prova comprovante l'acquisto al venditore o al tecnico autorizzato. Per individuare il tecnico autorizzato più vicino, rivolgersi alla sede Black & Decker locale, presso il recapito indicato nel presente manuale. Altrimenti un elenco completo di tutti i tecnici autorizzati Black & Decker e i dettagli completi sui contatti e i servizi post-vendita sono disponibili su Internet presso: **www.2helpU.com**

I clienti che desiderano registrare il nuovo prodotto Black & Decker e ricevere gli aggiornamenti sui nuovi prodotti e le offerte speciali, sono invitati a visitare il sito Web **www.blackanddecker.it**. Ulteriori informazioni sul marchio e la gamma di prodotti Black & Decker sono disponibili all'indirizzo **www.blackanddecker.it**

Gebruik volgens bestemming

Uw Black & Decker stofzuiger is bedoeld voor het opzuigen van vaste stoffen.

Dit product is uitsluitend bedoeld voor huishoudelijk gebruik.

Veiligheidsvoorschriften

- ◆ **Waarschuwing!** Bij het gebruik van elektrische apparaten dienen ter bescherming tegen brandgevaar, elektrische schok, letsel en materiële schade altijd gepaste veiligheidsmaatregelen in acht te worden genomen, waaronder de volgende veiligheidsvoorschriften.
- ◆ Lees de gehele gebruiksaanwijzing aandachtig door voordat u het apparaat gaat gebruiken.
- ◆ Het bedoelde gebruik wordt in deze handleiding beschreven. Gebruik ter voorkoming van lichamelijk letsel uitsluitend de in deze gebruiksaanwijzing aanbevolen accessoires en hulpstukken. Gebruik het apparaat uitsluitend waarvoor het bedoeld is.
- ◆ Bewaar deze instructies zorgvuldig!

Gebruik van het apparaat

- ◆ Zorg ervoor dat het apparaat uitgeschakeld is voordat u de stroom in- of uitschakelt.
- ◆ Kijk altijd goed uit wanneer u het apparaat gebruikt.
- ◆ Gebruik het apparaat niet buiten.
- ◆ Trek de stekker niet aan het elektriciteits snoer uit het stopcontact. Houd het elektriciteits snoer uit de buurt van warmtebronnen, olie en scherpe randen.
- ◆ Als het elektriciteits snoer tijdens gebruik beschadigd raakt, schakel dan onmiddellijk de stroomtoevoer naar het apparaat uit. Raak het elektriciteits snoer niet aan voordat u de stekker uit het stopcontact heeft gehaald.
- ◆ Haal altijd de stekker van het apparaat uit het stopcontact wanneer u het niet gebruikt of voordat u onderdelen gaat verwisselen of het apparaat gaat reinigen.

Veiligheid van anderen

- ◆ Verbied kinderen en personen die niet van de inhoud van deze handleiding op de hoogte zijn het gebruik van dit apparaat.
- ◆ Houd kinderen en dieren buiten het werkgebied en laat ze dit apparaat of het elektriciteits snoer niet aanraken. Als u met het apparaat in de buurt van kinderen komt, dient er goed op hen gelet te worden.

Na gebruik

- ◆ Schakel het apparaat uit en haal de stekker uit het stopcontact voordat u het apparaat zonder toezicht achterlaat of enig onderdeel van het apparaat gaat verwisselen, reinigen of controleren.
- ◆ Indien niet in gebruik moet de machine op een droge plaats worden opgeborgen.

Kinderen mogen geen toegang hebben tot opgeborgen machines.

Inspectie en reparatie

- ◆ Controleer de machine voor gebruik op beschadigde of defecte onderdelen. Controleer op kapotte onderdelen, beschadigingen aan schakelaars en enige andere zaken die de werking nadelig kunnen beïnvloeden.
- ◆ Gebruik de machine niet als enig onderdeel beschadigd of defect is.
- ◆ Defecte onderdelen dienen door een erkend servicecentrum te worden gerepareerd of vervangen.
- ◆ Controleer voor gebruik het elektriciteits snoer op beschadiging, veroudering en slijtage.
- ◆ Gebruik het apparaat niet als het elektriciteits snoer of de stekker beschadigd of defect is.
- ◆ Als het elektriciteits snoer of de stekker beschadigd of defect is, moet het, om gevaarlijke situaties te voorkomen, door een erkende servicetechnicus vervangen worden. Snijd nooit in het elektriciteits snoer en probeer dit niet zelf te repareren.
- ◆ Probeer nooit om enig onderdeel anders dan in deze handleiding beschreven te verwijderen of te vervangen.

Dubbele isolatie



Dit apparaat is dubbel geïsoleerd; een aardaansluiting is daarom niet noodzakelijk. Controleer altijd of uw netspanning overeenkomt met de waarde op het typeplaatje.

Aanvullende veiligheidsinstructies voor stofzuigers

- ◆ Gebruik het apparaat niet om vloeistoffen op te zuigen.
- ◆ Gebruik het apparaat niet om brandbare materialen op te zuigen.
- ◆ Gebruik het apparaat niet in de buurt van water. Dompel het apparaat niet in water onder.
- ◆ Zorg dat de luchtstroom van de motor niet in uw ogen en gezicht blaast.
- ◆ Houd kinderen en dieren op een veilige afstand als u het apparaat gebruikt.
- ◆ Werk altijd van onderen af omhoog wanneer u het apparaat op trappen gebruikt, en plaats het apparaat tenminste een trede onder uw werkpositie.
- ◆ Gebruik het apparaat niet zonder dat de zuigmond of een ander geschikt accessoire aan de buis is gemonteerd.
- ◆ Gebruik uitsluitend accessoires van Black & Decker.

Onderdelen

Al naar gelang de uitvoering beschikt dit apparaat over de volgende onderdelen (fig. A).

1. Aan/uit-schakelaar
2. Snelheidsregelschakelaar (VB1630/VB1740/VB1820/VB1850)
3. Snoeropwindknop

4. Handgreep
5. Deksel
6. Slang
7. Luchtstroomregelschakelaar
8. Verlengbuis
9. Zuigmond
10. Wielen

Daarbij wordt dit apparaat geleverd met enkele of alle van de volgende accessoires (fig. B):

11. Spleetzuigmond
12. Borstelzuigmond
13. Parketvloerzuigmond (VB1630/VB1740/VB1850)

De parketvloerzuigmond wordt niet meegeleverd met alle modellen. Dit accessoire is verkrijgbaar bij uw Black & Decker-dealer/servicecentrum (cat. nr. VVW70).

Assemblage

Aanbrengen van de stofzak (fig. C & D)

Waarschuwing! Zorg voor het eerste gebruik dat een stofzak is aangebracht.

- ◆ Open het deksel (5) zoals afgebeeld (fig. C).
- ◆ Plaats een stofzak (15) in de stofzakhouder (16).
- ◆ Houd de stofzakkraag (17) in lijn met de inlaat (18) (fig. D).
- ◆ Zorg dat de inlaat in de stofzakkraag steekt.
- ◆ Sluit het deksel.

Bevestigen van de slang (fig. E)

- ◆ Steek de connector van de slang (18) in de inlaat (19) van het apparaat.
- ◆ Schuif de slang verder totdat de ontgrendelingsknoppen (20) op hun plaats klikken.
- ◆ Om de slang te verwijderen, drukt u de ontgrendelingsknoppen in en trekt u de slang eruit.

Monteren van de verlengbuis (fig. F)

- ◆ Druk de vergrendelingsknop (21) in en schuif het mondstuk (22) van de slang in de buis (8) totdat hij op zijn plaats vastklikt.
- ◆ Om de buis te verwijderen, drukt u vergrendelingsknop in en trekt u de slang uit de buis.

Monteren van de zuigmond (fig. G)

De zuigmond (9) is geschikt voor stofzuigen op tapijt en harde oppervlakken (bijv. laminaat en tegels).

- ◆ Druk de vergrendelingsknop (23) in en schuif de buis (8) in de zuigmond (9) totdat hij op zijn plaats vastklikt.
- ◆ Om de zuigmond te verwijderen, drukt u vergrendelingsknop in en trekt u de buis uit de zuigmond.

VB1630/VB1740/VB1850 – Monteren van de parketvloerzuigmond (fig. G)

De parketvloerzuigmond (13) is geschikt voor stofzuigen op houten en gepolijste oppervlakken.

- ◆ Druk de vergrendelingsknop (23) in en schuif de buis (8) in de zuigmond totdat hij op zijn plaats vastklikt.
- ◆ Om de zuigmond te verwijderen, drukt u de vergrendelingsknop in en trekt u de buis uit de zuigmond.

Monteren van accessoires (fig. G & H)

De spleetzuigmond (11) is geschikt voor stofzuigen in nauwe en moeilijk bereikbare ruimtes. De borstelzuigmond (12) is geschikt voor stofzuigen van meubels, jalozieën, gordijnen, ramen en trappen. De accessoires kunnen zowel op de slang (6) als de buis (8) worden gemonteerd. Indien niet in gebruik, dan kunnen de accessoires worden opgeborgen in de accessoirehouder (24).

- ◆ Verwijder het accessoire van de houder (fig. H).
- ◆ Druk de vergrendelingsknop (21 of 23) in en schuif het accessoire op het mondstuk (22) van de slang of de buis (8) (fig. G).
- ◆ Om een accessoire te verwijderen, drukt u de vergrendelingsknop (21 of 23) in en trekt u het accessoire eraf.

Gebruik

Afrollen en opwinden van het snoer (fig. A)

De snoeropwindknop (3) kan met de hand of de voet worden bediend.

- ◆ Trek voor gebruik voldoende lengte snoer uit de achterkant van het apparaat.
- ◆ Druk na gebruik de snoeropwindknop in om het snoer op zijn plaats te bewaren. Geleid het snoer met de hand om ervoor te zorgen dat het niet terugslingert. Zorg ervoor dat de stekker op de juiste manier is aangebracht.

Instellen van de hoogte van de buis (fig. I)

De verlengbuis (8) kan in 21 stappen worden ingesteld.

- ◆ Houd de instelknop (25) ingedrukt en schuif de buis naar de gewenste lengte.
- ◆ Laat de knop los.

Instellen van de zuigmond (fig. G)

- ◆ Voor stofzuigen op tapijten, zet u de vloeroppervlak-keuzeschakelaar (26) omhoog.
- ◆ Voor stofzuigen op laminaat, tegels, etc., zet u de vloeroppervlak-keuzeschakelaar omlaag.

Aan- en uitschakelen (fig. A)

De aan/uit-schakelaar (1) kan met de hand of de voet worden bediend.

- ◆ Om het apparaat in te schakelen, drukt u de aan/uit-schakelaar (1) in.
- ◆ Om het apparaat uit te schakelen, drukt u nogmaals de aan/uit-schakelaar (1) in.

VB1630/VB1740/VB1820/VB1850 – Instellen van de zuigkracht (fig. A)

De snelheidsregelschakelaar maakt een nauwkeurige instelling van de zuigkracht mogelijk.

- ◆ Schuif de snelheidsregelschakelaar (2) naar de gewenste instelling.
- ◆ Voor stofzuigen op harde oppervlakken (bijv. vloeren) kiest u een hoge snelheid
- ◆ Voor stofzuigen op zachte oppervlakken (bijv. bekleding) kiest u een lage snelheid

Instellen van de luchtstroom (fig. A)

- ◆ Beweeg de luchtstroomregelschakelaar (7) om de luchtstroom naar wens in te stellen.

Stofzuigen

- ◆ Zorg er tijdens gebruik voor dat de slang niet geklemd, gedraaid of geblokkeerd raakt.
- ◆ In geval van oververhitting zal een onderbreker in werking treden en het apparaat automatisch uitschakelen.
- ◆ Indien het apparaat niet meer functioneert, trekt u de stekker uit het stopcontact en laat het apparaat 2 - 3 uur afkoelen.

Tips voor optimaal gebruik

- ◆ Bij het werken in besloten ruimtes verwijdert u tijdelijk de accessoirehouder van de buis om uw bewegingsvrijheid te vergroten.
- ◆ Bij het stofzuigen van trappen, begint u altijd onderaan en werkt u naar boven toe. Plaats het apparaat op de vloer en doe de treden tot halverwege de trap. Verplaats het apparaat vervolgens naar een stabiele positie die zich tenminste een trede onder uw werkpositie bevindt, en doe de bovenste helft van de trap.

Verplaatsen van het apparaat (fig. J)

Tijdens gebruik kan het apparaat worden verplaatst met behulp van de handgreep (4).

- ◆ Kantel de handgreep in positie zoals afgebeeld.

Tijdelijk parkeren van de zuigmond (fig. K)

- ◆ Gebruik de parkeerpositie (34) voor het tijdelijk parkeren van de zuigmond.

Opbergen van het apparaat (fig. L)

Waarschuwing! Schakel het apparaat uit en haal de stekker uit het stopcontact wanneer u het apparaat opbergt.

- ◆ Controleer of de stekker volledig opgerold is.
- ◆ Plaats het apparaat in rechtopstaande positie.
- ◆ Parkeer de buis door de richels op de zuigmond en de buis in de overeenkomstige sleuven op het apparaat te plaatsen zoals afgebeeld. Het vergrendelingsmechanisme (32) klikt automatisch vast.
- ◆ Berg het apparaat op een droge plaats op. Het apparaat worden verplaatst met behulp van de geïntegreerde handgreep (33).
- ◆ Om de buis voor gebruik van het apparaat te nemen, drukt u een van de vergrendelingsknoppen in en licht de buis en zuigmond uit de parkeersleuven.

Onderhoud

Uw Black & Decker-apparaat is ontworpen om gedurende langere periode te functioneren met een minimum aan onderhoud. Voortdurend tevreden gebruik is afhankelijk van correct onderhoud en regelmatig schoonmaken.

Waarschuwing! Zet vóór aanvang van onderhouds- of schoonmaakwerkzaamheden het apparaat uit en haal de stekker uit het stopcontact.

- ◆ Reinig regelmatig de ventilatieopeningen in uw apparaat met een zachte borstel of een droge doek.
- ◆ Reinig regelmatig de behuizing van de motor met een vochtige doek. Gebruik geen schuur- of oplosmiddel.

Verwisselen van de stofzak (fig. C & D)

De stofzak dient te worden vervangen als de rode stofzak vol-indicator (14) zichtbaar is terwijl het apparaat op maximum snelheid draait en de zuigmond van het oppervlak los is. Vervangende stofzakken zijn verkrijgbaar bij uw Black & Deckerdealer (cat. nr. VBP50).

- ◆ Open het deksel (5) zoals afgebeeld (fig. C).
- ◆ Trek de stofzakhouder (16) een beetje terug om de stofzakdraag (17) van de inlaat (18) te verwijderen (fig. D).
- ◆ Verwijder de oude stofzak (15) uit de stofzakhouder.
- ◆ Plaats een nieuwe stofzak in de stofzakhouder.
- ◆ Houd de stofzakdraag (17) in lijn met de inlaat (18).
- ◆ Zorg dat de inlaat in de stofzakdraag steekt.
- ◆ Sluit het deksel.

Reinigen

Waarschuwing! Zorg vóór aanvang van reinigings- of onderhoudswerkzaamheden dat het apparaat uitgeschakeld is en dat de stekker niet in het stopcontact zit.

- ◆ Neem het apparaat van tijd tot tijd af met een vochtige doek. Gebruik geen schuur- of oplosmiddel. Dompel het apparaat niet in water onder.

Reinigen van het motorfilter (fig. C, D & M)

Het motorfilter minimaliseert de hoeveelheid stof die het motorhuis binnendringt. Het filter is geschikt voor hergebruik en moet regelmatig worden gereinigd.

- ◆ Open het deksel (5) zoals afgebeeld (fig. C).
- ◆ Verwijder de stofzak (fig. D).
- ◆ Trek het filter (27) uit de filterhouder (28) (fig. M).
- ◆ Borstel al het losse stof van het filter.
- ◆ Vervang het filter.
- ◆ Plaats een nieuwe stofzak (fig. D).
- ◆ Sluit het deksel (fig. C).

Verwisselen van de filters (fig. C, D & M - O)

Het motorfilter en het uitlaatfilter moeten iedere 6 tot 9 maanden worden vervangen, alsook wanneer het versleten of beschadigd is. De filters dienen tegelijkertijd te worden vervangen. Vervangende filtersets zijn verkrijgbaar bij uw Black & Deckerdealer (cat. nr. VBF20).

Vervangen van het motorfilter (fig. C, D & M)

- ◆ Ga verder te werk zoals hierboven beschreven om het filter (27) te vervangen.

Vervangen van de uitlaatfilters (fig. N & O)

- ◆ Open het deksel (29).
- ◆ Verwijder de oude filters (30).
- ◆ Plaats de nieuwe filters zoals afgebeeld.
- ◆ Sluit het deksel.

VB1850 – Vervangen van het HEPA-filter

Het HEPA-filter minimaliseert de hoeveelheid stof die het motorhuis verlaat. De filters moeten worden vervangen wanneer ze versleten of beschadigd zijn. Vervangende filters zijn verkrijgbaar bij uw Black & Deckerdealer (cat. nr. VBF30).

- ◆ Ga verder te werk zoals hierboven beschreven om het filter (31) te vervangen.

Milieu



Black & Decker biedt de mogelijkheid tot recyclen van afgedankte Black & Decker producten. Deze service is kosteloos. Om gebruik van deze service te maken, dient u het product aan een van onze servicecentra te sturen, die voor ons de inzameling verzorgen.

U kunt het adres van het dichtstbijzijnde servicecentrum opvragen via de adressen op de achterzijde van deze handleiding. U kunt ook een lijst van onze servicecentra en meer informatie m.b.t. onze klantenservice vinden op het volgende Internet-adres: **www.2helpU.com**

Technische gegevens

		VB1600	VB1710	VB1820
		VB1630	VB1740	VB1850
Spanning	V	230	230	230
Opgenomen vermogen	W	1.600	1.700	1.800
Lengte elektriciteits snoer	m	6	6	6
Inhoud stofzak	l	3,5	3,5	3,5
Gewicht	kg	6	6	6

EG-conformiteitsverklaring

VB1600/VB1630/VB1710/VB1740/VB1820/VB1850

Black & Decker verklaart dat deze producten in overeenstemming zijn met:

89/336/EEG, 73/23/EEG, EN 55014, EN 61000, EN 60335

Colin Wills

Director of Engineering
BDCI, 4/F, 2 Dai Wang Street
Tai Po Industrial Estate
Tai Po NT, Hong Kong
1-12-2003

Patentnr's voor GB: 0314932.5

Ontwerpnr voor GB: 3 013 969

Ontwerpnr voor Australië: 484/04

Ontwerpnr voor Europese Gemeenschap: 131 669

Ontwerpnr voor China: 200430002049

Ontwerpnr voor VS: 29/199,055

Garantie

Black & Decker heeft vertrouwen in zijn producten en biedt een uitstekende garantie. Deze garantie bepalingen vormen een aanvulling op uw wettelijke rechten en beperken deze niet. De garantie geldt in de lidstaten van de Europese Unie en de Europese Vrijhandelsassociatie.

Mocht uw Black & Decker product binnen 24 maanden na datum van aankoop defect raken tengevolge van materiaal- of constructiefouten, dan garanderen wij de kosteloze vervanging van defecte onderdelen, de reparatie van het product of de vervanging van het product, tenzij:

- ◆ Het product is gebruikt voor handelsdoeleinden, professionele toepassingen of verhuurdoeleinden;
- ◆ Het product onoordeelkundig is gebruikt;
- ◆ Het product is beschadigd door invloeden van buitenaf of door een ongeval;

- ◆ Reparaties zijn uitgevoerd door anderen dan onze servicecentra of Black & Decker personeel.

Om een beroep op de garantie te doen, dient u een aankoopbewijs te overhandigen aan de verkoper of een van onze servicecentra. U kunt het adres van het dichtstbijzijnde servicecentrum opvragen via de adressen op de achterzijde van deze handleiding. U kunt ook een lijst van onze servicecentra en meer informatie m.b.t. onze klantenservice vinden op het volgende Internet-adres: **www.2helpU.com**

Meld u aan op onze website **www.blackanddecker.nl** om te worden geïnformeerd over nieuwe producten en speciale aanbiedingen. Verdere informatie over het merk Black & Decker en onze producten vindt u op **www.blackanddecker.nl**

Finalidad

El aspirador Black & Decker ha sido diseñado para aspirar sustancias secas.

Este producto está pensado únicamente para consumo doméstico.

Instrucciones de seguridad

- ◆ **¡Atención!** Cuando use aparatos eléctricos, debe seguir siempre las precauciones de seguridad básicas, incluidas las siguientes, a fin de reducir el riesgo de incendios, electrocución, lesiones personales y daños materiales.
- ◆ Lea completamente este manual antes de utilizar el aparato.
- ◆ En este manual se explica el uso previsto para este aparato. El uso de otros accesorios o adaptadores, o la propia utilización de este aparato en cualquier forma diferente de las recomendadas en este manual de instrucciones pueden constituir un riesgo de lesiones a las personas.
- ◆ Conserve este manual a mano para consultas posteriores.

Utilización del aparato

- ◆ Asegúrese de que el aparato está apagado antes de conectarlo o desconectarlo de la red.
- ◆ Tenga siempre cuidado cuando utilice este aparato.
- ◆ No utilice este aparato en el exterior.
- ◆ Nunca tire del cable para desconectarlo del enchufe. Mantenga el cable alejado del calor, el aceite y los bordes afilados.
- ◆ Si el cable de red se dañara durante el uso, desconecte inmediatamente el aparato de la red. No toque el cable antes de desconectar el aparato de la red.
- ◆ Desenchufe el aparato de la corriente si no lo está utilizando, o antes de montar o desmontar piezas o de limpiarlo.

Seguridad de otras personas

- ◆ No deje que el aparato sea utilizado por niños o por personas que no estén familiarizadas con su uso.
- ◆ No permita que niños, otras personas o animales se acerquen al área de trabajo ni toquen el aparato o el cable de red. Es necesario estar muy atento cuando se utiliza el aparato cerca de niños.

Cuando acabe de utilizar el aparato

- ◆ Apague el aparato y desenchúfelo de la red si va a dejarlo desatendido y antes de cambiar, limpiar o inspeccionar alguna pieza del aparato.
- ◆ Cuando no esté siendo utilizado, el aparato debe guardarse en lugar seco. Los niños no deben tener acceso a los aparatos guardados.

Inspección y reparaciones

- ◆ Antes de utilizarlo, revise el aparato para ver si está dañado o tiene piezas defectuosas.

Compruebe si hay alguna pieza rota, algún conmutador dañado o cualquier cosa que pudiera afectar a su funcionamiento.

- ◆ No utilice el aparato si hay alguna pieza dañada o defectuosa.
- ◆ Encargue al servicio técnico autorizado que repare o sustituya las piezas defectuosas o averiadas.
- ◆ Antes de utilizar el aparato, revise el cable de red para ver si presenta indicios de daños, envejecimiento o desgaste.
- ◆ No utilice el aparato si el cable de red o el enchufe estuvieran dañados o defectuosos.
- ◆ Si el cable eléctrico o el enchufe estuvieran estropeados o defectuosos, hay que sustituirlos en un servicio técnico autorizado con el fin de evitar cualquier peligro. No corte el cable de red y no trate de repararlo usted mismo.
- ◆ No intente nunca extraer o sustituir ninguna de las piezas que no sean las especificadas en este manual.

Doble aislamiento



Este aparato lleva un doble aislamiento; por lo tanto no requiere una toma a tierra. Compruebe siempre que la tensión de la red corresponda con el valor indicado en la placa de datos de la herramienta.

Instrucciones de seguridad adicionales para aspiradores

- ◆ No use este aparato para recoger líquidos.
- ◆ No use este aparato para recoger materiales inflamables.
- ◆ No utilice este aparato cerca del agua. No sumerja el aparato en el agua.
- ◆ Mantenga alejada de ojos y cara la zona de aspiración del motor.
- ◆ Cuando utilice este aparato, mantenga a los niños y animales a la distancia de seguridad.
- ◆ Trabaje siempre de abajo hacia arriba cuando utilice el aparato en escaleras y mantenga el aparato al menos un escalón por debajo de su posición de trabajo.
- ◆ No utilice el aparato sin el cabezal de aspiración u otro accesorio adecuado montado acoplado al tubo.
- ◆ Utilice únicamente accesorios Black & Decker.

Características

Este aparato incluye alguna o todas las características siguientes (fig. A).

1. Conmutador ON/OFF (encendido/apagado)
2. Interruptor de control de velocidad (VB1630/VB1740/VB1820/VB1850)
3. Botón recogecable
4. Mango
5. Tapa
6. Tubo flexible
7. Interruptor de control del flujo de aire
8. Tubo extensible
9. Cabezal de aspiración
10. Ruedas

Además, este aparato se suministra con alguno o todos los accesorios siguientes (fig. B):

11. Útil con hendidura
12. Cepillo
13. Cabezal para suelos de parquet (VB1630/VB1740/VB1850)

El cabezal para suelos de parquet no está incluido con todos los modelos. Este accesorio se encuentra disponible en su distribuidor / servicio técnico de Black & Decker (nº de cat. VW70).

Montaje

Colocación de la bolsa de recolección del polvo (fig. C & D)

¡Atención! Antes de usar, asegúrese de colocar una bolsa de recolección del polvo.

- ◆ Abra la tapa (5) como se muestra (fig. C).
- ◆ Coloque una bolsa de recolección del polvo (15) en el acoplador (16).
- ◆ Alinee el collarín de la bolsa para el polvo (17) con la entrada (18) (fig. D).
- ◆ Asegúrese de que la entrada sobresalga del collarín de la bolsa para el polvo.
- ◆ Cierre la tapa.

Conexión del tubo flexible (fig. E)

- ◆ Inserte el conector del tubo flexible (18) en la entrada (19) del aparato.
- ◆ Deslice el tubo flexible hasta que los botones de liberación (20) encajen en su sitio con un clic.
- ◆ Para desconectar el tubo flexible, presione los botones de liberación y tire del tubo flexible hacia fuera

Montaje del tubo extensible (fig. F)

- ◆ Presione el botón de bloqueo (21) y deslice la boquilla del tubo flexible (22) en el tubo (8) hasta que encaje en su sitio con un clic.
- ◆ Para quitar el tubo, presione el botón de bloqueo y quite el tubo flexible del tubo.

Montaje del cabezal de aspiración (fig. G)

El cabezal de aspiración (9) permite aspirar alfombras y superficies duras (por ej., laminados y azulejos).

- ◆ Presione el botón de bloqueo (23) y deslice el tubo (8) en el cabezal (9) hasta que encaje en su sitio con un clic.
- ◆ Para quitar el cabezal, presione el botón de bloqueo y quite el tubo del cabezal.

VB1630/VB1740/VB1850 – Montaje del cabezal para suelos de parquet (fig. G)

El cabezal para suelos de parquet (13) permite aspirar superficies de maderas y pulidas.

- ◆ Presione el botón de bloqueo (23) y deslice el tubo (8) en el cabezal hasta que encaje en su sitio con un clic.
- ◆ Para quitar el cabezal, presione el botón de bloqueo y quite el tubo del cabezal.

Montaje de accesorios (fig. G & H)

El útil con hendidura (11) permite aspirar en lugares estrechos y difíciles de alcanzar. El cepillo (12) permite aspirar muebles, persianas, cortinas, ventanas y escaleras. Los accesorios se pueden montar tanto en el tubo flexible (6) como en el tubo (8). Cuando no se usen, los accesorios deben guardarse en el porta-accesorio (24).

- ◆ Saque el accesorio del porta-accesorio (fig. H).
- ◆ Presione el botón de bloqueo (21 o 23) y deslice el accesorio en la boquilla del tubo flexible (22) o del tubo (8) (fig. G).
- ◆ Para quitar un accesorio, presione el botón de bloqueo (21 o 23) y extraiga el accesorio.

Uso

Desenrollado y recogida del cable (fig. A)

El botón recogeable (3) se puede accionar a mano o con el pie.

- ◆ Antes del uso, extraiga un largo de cable suficiente de la parte posterior del aparato.
- ◆ Después del uso, presione el botón recogeable para guardar el cable de nuevo en su sitio. Guíe el cable manualmente para asegurarse de que no vuelva hacia atrás. Asegúrese de que la clavija esté colocada correctamente.

Ajuste de la longitud del tubo (fig. I)

El tubo extensible (8) se puede ajustar en 21 pasos.

- ◆ Accione el pomo de ajuste (25) y deslice el tubo a la longitud deseada.
- ◆ Suelte el pomo.

Ajuste del cabezal de aspiración (fig. G)

- ◆ Para aspirar alfombras, cambie el selector de superficie de suelo (26) a la posición superior.
- ◆ Para aspirar laminados, azulejos, etc., cambie el selector de superficie de suelo a la posición inferior

Encendido y apagado (fig. A)

El interruptor de encendido/apagado (1) se puede accionar a mano o con el pie.

- ◆ Para poner en marcha la herramienta, pulse el interruptor de encendido/apagado (1).
- ◆ Para apagar la herramienta, pulse otra vez el interruptor de encendido/apagado.

VB1630/VB1740/VB1820/VB1850 – Ajuste de la potencia de aspiración

El interruptor de control de velocidad (2) permite un ajuste preciso de la potencia de aspiración.

- ◆ Deslice el interruptor de control de velocidad (2) al ajuste deseado.
- ◆ Para aspirar superficies duras (por ej., suelos), seleccione una velocidad alta.
- ◆ Para aspirar superficies blandas (por ej., tapicerías), seleccione una velocidad baja.

Ajuste del flujo de aire (fig. A)

- ◆ Mueva el interruptor de control del flujo de aire (7) para ajustar el flujo de aire que desee.

Aspiración del polvo (fig. A)

- ◆ Cuando utilice el aparato, asegúrese de que el tubo flexible no quede atrapado, bloqueado o torcido.
- ◆ En caso de calentamiento, se accionará un disyuntor y el aparato se apagará automáticamente.
- ◆ Si el aparato deja de funcionar, desenchúfelo y deje que se enfríe durante 2 - 3 horas.

Consejos para un uso óptimo

- ◆ Cuando trabaje en espacios reducidos, quite temporalmente el porta-accesorio del tubo para ampliar su radio de acción.
- ◆ Cuando aspire escaleras, comience siempre por abajo y trabaje hacia arriba. Coloque el aparato en el suelo y haga las escaleras hasta la mitad. Luego coloque el aparato en una posición estable al menos un escalón por debajo de su posición de trabajo y haga la mitad superior de la escalera.

Traslado del aparato (fig. J)

Durante el uso, el aparato se puede llevar utilizando el mango (4).

- ◆ Inclíne el mango en posición como se muestra.

Aparcamiento temporal del cabezal de aspiración (fig. K)

- ◆ Use la posición de parada (34) para aparcar temporalmente el cabezal de aspiración.

Almacenamiento del aparato (fig. L)

¡Atención! Apague y desenchufe el aparato para guardarlo.

- ◆ Asegúrese de que el cable esté totalmente recogido.
- ◆ Coloque el aparato en posición vertical.
- ◆ Aparque el tubo colocando los rebordes en el cabezal y el tubo en las ranuras correspondientes del aparato como se muestra. El dispositivo de bloque (32) engancha automáticamente.
- ◆ Guarde el aparato en un sitio seco. El aparato se puede trasladar con el asa integrada (33).

- ◆ Para quitar el tubo del aparato para usarlo, presione uno de los botones de liberación y levante el tubo y el cabezal fuera de las ranuras de aparcamiento.

Mantenimiento

Su aparato Black & Decker está diseñado para que funcione durante un largo período de tiempo con un mantenimiento mínimo.

El funcionamiento satisfactorio continuado depende de un cuidado apropiado y una limpieza periódica del aparato.

¡Atención! Antes de realizar cualquier operación de mantenimiento o limpieza en el aparato, desenchúfelo.

- ◆ Limpie periódicamente las ranuras de ventilación del aparato con un cepillo suave o un paño seco.
- ◆ Limpie periódicamente la carcasa del motor con un paño húmedo. No utilice ninguna sustancia limpiadora abrasiva o que contenga disolventes.

Cambio de la bolsa para el polvo (fig. C & D)

La bolsa para el polvo debe cambiarse si el indicador rojo de bolsa llena (14) resulta visible durante el funcionamiento del aparato a máxima velocidad y cuando el cabezal se levanta de la superficie. Las bolsas de recambio se encuentran disponibles en su concesionario Black & Decker (cat. Nº VBP50).

- ◆ Abra la tapa (5) como se muestra (fig. C).
- ◆ Empuje suavemente el acoplador de la bolsa (16) y quite el collarín de la bolsa (17) de la entrada (18) (fig. D).
- ◆ Quite la bolsa usada (15) del acoplador de la bolsa para el polvo.
- ◆ Coloque una nueva bolsa para el polvo en el acoplador.
- ◆ Alínee el collarín de la bolsa para el polvo (17) con la entrada (18).
- ◆ Asegúrese de que la entrada sobresalga del collarín de la bolsa para el polvo.
- ◆ Cierre la tapa.

Limpieza

¡Atención! Antes de realizar cualquier tipo de mantenimiento o limpieza, apague y desenchufe el aparato.

- ◆ Periódicamente limpie el aparato con un paño húmedo. No utilice ninguna sustancia limpiadora abrasiva o que contenga disolventes. No sumerja el aparato en el agua.

Limpieza del filtro del motor (fig. C, D & M)

El filtro del motor reduce al mínimo la cantidad de polvo que entra en la carcasa del motor. El filtro es reutilizable y debe limpiarse periódicamente.

- ◆ Abra la tapa (5) como se muestra (fig. C).

- ◆ Retire la bolsa para el polvo (fig. D).
- ◆ Extraiga el filtro (27) del portafiltros (28) (fig. M).
- ◆ Cepille el filtro para eliminar partículas de polvo sueltas.
- ◆ Sustituya el filtro.
- ◆ Coloque una nueva bolsa para el polvo (fig. D).
- ◆ Cierre la tapa (fig. C).

Cambio de los filtros (fig. C, D & M - O)

El filtro del motor y el filtro de salida deben cambiarse cada 6-9 meses y siempre que estén gastados o dañados. Los filtros deben cambiarse al mismo tiempo. Los juegos de filtros de recambio se encuentran disponibles en su concesionario Black & Decker (cat. nº VBF20).

Cambio del filtro del motor (fig. C, D & M)

- ◆ Proceda como se ha descrito anteriormente para cambiar el filtro (27).

Cambio de los filtros de salida (fig. N & O)

- ◆ Abra la tapa (29).
- ◆ Quite los filtros usados (30).
- ◆ Inserte los filtros nuevos como se muestra.
- ◆ Cierre la tapa.

VB1850 – Cambio del filtro HEPA

El filtro HEPA reduce al mínimo la cantidad de polvo que sale de la carcasa del motor. Los filtros se deben sustituir siempre que estén gastados o dañados. Los filtros de recambio se encuentran disponibles en su concesionario Black & Decker (cat. Nº VBF30).

- ◆ Proceda como se ha descrito anteriormente para cambiar el filtro (31).

Protección del medio ambiente



Black & Decker proporciona facilidades para el reciclado de los productos Black & Decker que hayan llegado al final de su vida útil. Este servicio se proporciona de forma gratuita. Para poderlo utilizar, le rogamos entregue el producto en cualquier servicio técnico autorizado quien se hará cargo del mismo en nuestro nombre.

Pueden consultar la dirección de su servicio técnico más cercano poniéndose en contacto con la oficina local de Black & Decker en la dirección que se indica en este manual. Como alternativa, se puede consultar en Internet, en la dirección siguiente, la lista de servicios técnicos autorizados e información completa de nuestros servicios de postventa y contactos:

www.2helpU.com

Características técnicas

		VB1600	VB1710	VB1820
		VB1630	VB1740	VB1850
Voltaje	V	230	230	230
Potencia absorbida	W	1.600	1.700	1.800
Longitud del cable	m	6	6	6
Tamaño de la bolsa	l	3,5	3,5	3,5
Peso	kg	6	6	6

Declaración de conformidad CE

VB1600/VB1630/VB1710/VB1740/VB1820/VB1850

Black & Decker declara que estos productos cumplen las normas siguientes:

89/336/CEE, 73/23/CEE, EN 55014, EN 61000, EN 60335

Colin Wills

Director de Ingeniería
BDCI, 4/F, 2 Dai Wang Street
Tai Po Industrial Estate
Tai Po NT, Hong Kong
1-12-2003

Números de solicitud de patente en el Reino Unido 0314932.5

Nº de solicitud del diseño en el Reino Unido 3 013 969

Nº de solicitud del diseño en Australia 484/04

Nº de solicitud del diseño en la UE 131 669

Nº de solicitud del diseño en China 200430002049

Nº de solicitud del diseño en los EE.UU. 29/199,055

Garantía

Black & Decker confía plenamente en la calidad de sus productos y ofrece una garantía extraordinaria. Esta declaración de garantía es una añadida, y en ningún caso un perjuicio para sus derechos estatutarios. La garantía es válida dentro de los territorios de los Estados Miembros de la Unión Europea y de los de la Zona Europea de Libre Comercio.

Si un producto Black & Decker resultará defectuoso debido a materiales o mano de obra defectuosos o a la falta de conformidad, Black & Decker garantiza, dentro de los 24 meses de la fecha de compra, la sustitución de las piezas defectuosas, la reparación de los productos sujetos a un desgaste y rotura razonables o la sustitución de tales productos para garantizar al cliente el mínimo de inconvenientes, a menos que:

- ◆ El producto haya sido utilizado con propósitos comerciales, profesionales o de alquiler;
- ◆ El producto haya sido sometido a un uso inadecuado o negligente;
- ◆ El producto haya sufrido daños causados por objetos o sustancias extrañas o accidentes;

- ◆ Se hayan realizado reparaciones por parte de personas que no sean los servicios de reparación autorizados o personal de servicios de Black & Decker;

Para reclamar en garantía, será necesario que presente la prueba de compra al vendedor o al servicio técnico de reparaciones autorizado. Pueden consultar la dirección de su servicio técnico más cercano poniéndose en contacto con la oficina local de Black & Decker en la dirección que se indica en este manual. Como alternativa, se puede consultar en Internet, en la dirección siguiente, la lista de servicios técnicos autorizados e información completa de nuestros servicios de postventa y contactos: **www.2helpU.com**

Visite nuestro sitio web **www.blackanddecker.com** para registrar su nuevo producto Black & Decker y mantenerse al día sobre nuestros productos y ofertas especiales. Encontrará información adicional sobre la marca Black & Decker y nuestra gama de productos en **www.blackanddecker.com**

Utilização

O seu aspirador Black & Decker foi concebido para aspirar substâncias secas.

Este produto destina-se exclusivamente ao uso doméstico.

Instruções de segurança

- ◆ **Advertência!** Ao utilizar aparelhos eléctricos, é preciso seguir sempre as precauções básicas para a segurança, incluindo as detalhadas a seguir, para diminuir os riscos de incêndio, choque eléctrico, ferimentos pessoais e danos materiais.
- ◆ Leia atentamente este manual antes de utilizar o aparelho.
- ◆ Neste manual indicam-se as utilizações previstas para o aparelho. O uso de qualquer acessório, extensão ou do próprio aparelho em situações diferentes das recomendadas neste manual de instruções pode dar origem a riscos de ferimentos.
- ◆ Guarde este manual para futura consulta.

Utilização do aparelho

- ◆ Assegure-se de que o aparelho está desligado antes de ligar ou desligar da fonte de alimentação.
- ◆ Utilize-o sempre com cautela.
- ◆ Não utilize o aparelho em ambientes externos.
- ◆ Nunca puxe o cabo de alimentação para desligá-lo da tomada. Proteja-o contra o calor e evite o contacto com óleo e objectos cortantes.
- ◆ Se o cabo de alimentação for danificado durante a utilização, desligue o aparelho da energia eléctrica imediatamente. Não toque o cabo de alimentação antes de desligá-lo da fonte de energia.
- ◆ Desligue o aparelho da fonte de alimentação quando não estiver em uso, antes de colocar ou remover acessórios e antes de o limpar.

Segurança de outras pessoas

- ◆ Não permita que as crianças ou qualquer pessoa que não esteja familiarizada com estas instruções utilizem o aparelho.
- ◆ Não permita que crianças, visitantes ou animais cheguem perto da área de trabalho ou toquem no aparelho ou no cabo de alimentação. A supervisão deve ser cautelosa quando o aparelho estiver a ser utilizado perto de crianças.

Após a utilização

- ◆ Desligue o aparelho e retire a ficha da tomada quando for deixá-lo sozinho e antes de trocar, limpar ou inspeccionar qualquer peça.
- ◆ Quando não estiver em utilização, guarde o aparelho num local seco. Mantenha o aparelho fora do alcance das crianças.

Inspeção e reparação

- ◆ Antes de utilizar o aparelho, verifique a existência de danos ou defeitos nas peças. Verifique se existem peças partidas, interruptores danificados ou quaisquer outros problemas que possam afectar o funcionamento do aparelho.
- ◆ Não utilize o aparelho se houver alguma peça defeituosa ou danificada.
- ◆ Qualquer peça defeituosa ou danificada deverá ser reparada ou substituída por um técnico autorizado.
- ◆ Antes de iniciar a utilização, verifique se o cabo de alimentação apresenta sinais de danos, envelhecimento e desgaste.
- ◆ Não utilize o aparelho se o cabo de alimentação ou a tomada estiverem danificados ou apresentarem avarias.
- ◆ Para evitar situações de risco, o cabo de alimentação ou a tomada danificada deverão ser reparados por um agente autorizado. Não corte o cabo de alimentação e não tente repará-lo por conta própria.
- ◆ Nunca tente remover ou trocar peças por outras que não aquelas especificadas neste manual.

Isolamento duplo



Esta ferramenta está duplamente vedada; assim não é necessário fio de terra. Certifique-se sempre de que o fornecimento de energia corresponde à voltagem indicada na placa de especificações.

Instruções de segurança adicionais para aspiradores

- ◆ Não utilize o aparelho para a recolha de líquidos.
- ◆ Não utilize o aparelho para recolha de materiais inflamáveis.
- ◆ Não utilize o aparelho próximo de água. Não permita que o aparelho seja imerso em água.
- ◆ Mantenha o motor longe dos olhos e do rosto.
- ◆ Mantenha as crianças e os animais a uma distância segura quando estiver a utilizar o aparelho.
- ◆ Quando utilizar o aparelho em escadas, trabalhe sempre de baixo para cima e mantenha o aparelho, pelo menos, um degrau abaixo da sua posição de trabalho.
- ◆ Não utilize o aparelho sem a cabeça de sucção ou sem outro acessório adequado montado no tubo.
- ◆ Utilize apenas acessórios Black & Decker.

Funções

Este aparelho inclui algumas ou todas as seguintes funções (fig. A).

1. Interruptor de ligar/desligar
2. Interruptor de controlo de velocidade (VB1630/VB1740/VB1820/VB1850)
3. Botão de enrolamento do fio
4. Pega
5. Tampa
6. Mangueira

7. Interruptor de controlo do fluxo do ar
8. Tubo de extensão
9. Cabeça de sucção
10. Rodas

Para além disso, o aparelho é fornecido com alguns ou todos os seguintes acessórios (fig. B):

11. Bico estreito
12. Escova
13. Cabeça para revestimento em parquet (VB1630/VB1740/VB1850)

A cabeça de limpeza de parquet não está incluída em todos os modelos. Este acessório encontra-se disponível através de seu revendedor / centro de assistência da Black & Decker (cat. nº VW70).

Montagem

Colocação do saco do pó (fig. C & D)

Advertência! Antes da primeira utilização, certifique-se de que coloca um saco de pó.

- ◆ Abra a tampa (5) tal como apresentado na ilustração (fig. C).
- ◆ Coloque um saco de pó (15) no suporte (16).
- ◆ Alinhe a entrada do saco de pó (17) com a entrada de ar (18) (fig. D).
- ◆ Certifique-se de que a entrada de ar fica numa posição proeminente em relação à entrada do saco.
- ◆ Feche a tampa.

Ligação da mangueira (fig. E)

- ◆ Introduza o conector da mangueira (18) na entrada de ar (19) do aparelho.
- ◆ Faça deslizar a mangueira até que os botões de libertação (20) se encaixem na devida posição.
- ◆ Para desligar a mangueira, pressione os botões de libertação e puxe a mangueira.

Montagem do tubo de extensão (fig. F)

- ◆ Pressione o botão de bloqueio (21) e faça deslizar o bocal da mangueira (22) no tubo (8) até que se encaixe no devido local.
- ◆ Para remover o tubo, pressione o botão de bloqueio e puxe a mangueira para fora.

Montagem da cabeça de sucção (fig. G)

A cabeça de sucção (9) permite aspirar carpetes e superfícies rígidas (p. ex.: laminados e azulejos).

- ◆ Pressione o botão de bloqueio (23) e faça deslizar o bocal do tubo (8) no tubo (9) até que se encaixe no devido local.
- ◆ Para remover a cabeça, pressione o botão de bloqueio e puxe o tubo para fora.

VB1630/VB1740/VB1850 – Montagem da cabeça de limpeza de parquet (fig. G)

A cabeça de limpeza de parquet (13) permite aspirar superfícies em madeira e enceradas.

- ◆ Pressione o botão de bloqueio (23) e faça deslizar o bocal do tubo (8) na cabeça até que se encaixe no devido local.
- ◆ Para remover a cabeça, pressione o botão de bloqueio e puxe o tubo para fora.

Montagem de acessórios (fig. G & H)

A ferramental para lugares difíceis (11) permite aspirar em locais estreitos e difíceis de alcançar. A escova (12) permite aspirar mobiliário, estores, cortinas, janelas e escadas. Os acessórios podem ser montados na mangueira (6) e no tubo (8). Quando não estiverem em utilização, os acessórios podem ser armazenados no suporte de acessórios (24).

- ◆ Retire o acessório do suporte (fig. H).
- ◆ Pressione o botão de bloqueio (21 ou 23) e faça deslizar o acessório no bocal da mangueira (22) ou no tubo (8) (fig. G).
- ◆ Para remover um acessório, pressione o botão de libertação (21 ou 23) e puxe o acessório para fora.

Utilização

Desenrolar e enrolar o fio (fig. A)

O botão de enrolamento do fio (3) pode ser utilizado com o pé ou com as mãos.

- ◆ Antes de utilizar, puxe uma quantidade de fio suficiente a partir da parte posterior do aparelho.
- ◆ Depois de utilizar, pressione o botão de enrolamento do fio para armazenar novamente o fio. Guie manualmente o fio para assegurar que não existem oscilações. Certifique-se de que a tomada está colocada correctamente.

Ajuste do tubo de extensão (fig. I)

O tubo de extensão (8) pode ser ajustadas em 21 posições.

- ◆ Utilize o botão de ajuste (25) e faça deslizar o tubo até obter a altura desejada.
- ◆ Solte o botão.

Ajuste da cabeça de sucção (fig. G)

- ◆ Para aspirar carpetes, coloque o selector de superfícies (26) na posição para cima.
- ◆ Para aspirar laminados, azulejos, etc., coloque o selector de superfícies na posição para baixo.

Como ligar e desligar a ferramenta (fig. A)

O botão de ligar/desligar (1) pode ser utilizado com o pé ou com as mãos.

- ◆ Para ligar o aparelho, pressione o interruptor de ligar/desligar (1).

- ◆ Para desligar o aparelho, pressione novamente o interruptor de ligar/desligar.

VB1630/VB1740/VB1820/VB1850 – Definição da força de sucção (fig. A)

O controlo de velocidade (2) permite uma definição precisa da força de sucção.

- ◆ Ajuste o botão de controlo de velocidade (2) na velocidade desejada.
- ◆ Para aspirar superfícies rígidas (p. ex.: soalhos), escolha uma definição de alta velocidade.
- ◆ Para aspirar superfícies suaves (p. ex.: estofos), escolha uma definição de baixa velocidade.

Ajuste do fluxo de ar (fig. A)

- ◆ Movimente o interruptor de controlo do fluxo do ar (7) para ajustar o fluxo de ar, tal como desejado.

Aspirar

- ◆ Quando utilizar o aparelho, certifique-se de que a mangueira não está presa, torcida ou bloqueada.
- ◆ Em caso de sobre-aquecimento, regista-se um corte de energia e o aparelho pára automaticamente.
- ◆ Se o aparelho deixar de funcionar, desligue o aparelho e deixe arrefecer durante 2 - 3 horas.

Sugestões para uma melhor utilização

- ◆ Quando trabalhar em espaços fechados, remova temporariamente o suporte de acessórios do tubo para melhorar o seu âmbito de trabalho.
- ◆ Quando aspirar escadas, comece sempre o trabalho de baixo para cima. Posicione o aparelho no chão e aspire as escadas até meio. Em seguida, transporte o aparelho para uma posição estável, que seja, no mínimo, um degrau abaixo da sua posição de trabalho e aspire a parte superior das escadas.

Transporte do aparelho (fig. J)

Durante a utilização, transporte o aparelho pela pega (4).

- ◆ Incline a pega para a posição, tal como apresentado.

Arrume temporariamente a cabeça de sucção (fig. K)

- ◆ Utilize a posição de estacionamento (34) para a arrumação temporária da cabeça de sucção.

Guardar o aparelho (fig. L)

Advertência! Quando armazenar o aparelho, desligue o aparelho e desligue da corrente eléctrica.

- ◆ Certifique-se de que o fio está completamente enrolado.
- ◆ Coloque o aparelho na posição vertical.

- ◆ Arrume o tubo, colocando as cunhas na cabeça e o tubo nas ranhuras correspondentes no aparelho, tal como apresentado. O dispositivo de bloqueio (32) encaixa-se automaticamente.
- ◆ Guarde o aparelho num local seco. O aparelho pode ser transportado pela pega integrada (33).
- ◆ Para retirar o tubo do aparelho para utilização, pressione um dos botões de bloqueio e levante o tubo e retire das ranhuras de arrumação.

Manutenção

Este aparelho Black & Decker foi desenvolvido para funcionar por um longo período, com um mínimo de manutenção. O funcionamento contínuo e satisfatório depende da limpeza regular e cuidado adequado do aparelho.

Advertência! Antes de executar quaisquer tarefas de manutenção ou limpeza no aparelho, desligue o aparelho.

- ◆ Limpe regularmente as fendas de ventilação do aparelho utilizando uma escova suave ou um pano seco.
- ◆ Limpe regularmente o compartimento do motor utilizando um pano húmido. Não utilize nenhum detergente abrasivo ou de base solvente.

Substituição do saco do pó (fig. C & D)

O saco de pó deve ser substituído quando o indicador vermelho de saco cheio (14) estiver visível enquanto o aparelho está a funcionar à velocidade máxima e a cabeça está numa posição superior em relação à superfície. Poderá obter filtros de substituição através de seu revendedor Black & Decker (referência em catálogo VBP50).

- ◆ Abra a tampa (5) tal como apresentado na ilustração (fig. C).
- ◆ Puxe ligeiramente o suporte do saco de pó (16) para retirar a entrada do saco (17) da entrada de ar (18) (fig. D).
- ◆ Retire o saco de pó antigo (15) do respectivo suporte.
- ◆ Coloque um novo saco no suporte.
- ◆ Alinhe a entrada do saco de pó (17) com a entrada de ar (18).
- ◆ Certifique-se de que a entrada de ar fica numa posição proeminente em relação à entrada do saco.
- ◆ Feche a tampa.

Limpeza

Advertência! Antes de iniciar qualquer procedimento de limpeza ou manutenção, desligue o aparelho e retire-o da tomada de corrente eléctrica.

- ◆ Ocasionalmente, limpe o aparelho com um pano húmido. Não utilize nenhum detergente abrasivo ou de base solvente. Não permita que o aparelho seja imerso em água.

Limpar o filtro (fig. C, D & M)

O filtro do motor reduz a uma quantidade mínima de pó que entrar no compartimento do motor. Os filtros são reutilizáveis e devem ser limpos regularmente.

- ◆ Abra a tampa (5) tal como apresentado na ilustração (fig. C).
- ◆ Remova o saco de pó (fig. D).
- ◆ Puxe o filtro (27) do suporte do filtro (28) (fig. M).
- ◆ Retire o pó solto dos filtros com uma escova.
- ◆ Substitua os filtros
- ◆ Colocar um novo saco de pó (fig. D).
- ◆ Feche a tampa (fig. C)

Substituição dos filtros (fig. C, D & M - O)

Substitua o filtro do motor e o filtro de saída em intervalos de 6 a 9 meses e sempre que estiverem desgastados ou danificados. Os filtros têm de ser substituídos ao mesmo tempo. Poderá obter conjuntos de filtros para substituição através de seu revendedor Black & Decker (referência em catálogo VBF20).

Substituição do filtro do motor (fig. C, D & M)

- ◆ Proceda com descrito anteriormente para a substituição do filtro (27).

Substituição dos filtros de saída de ar (fig. N & O)

- ◆ Abra a tampa (29).
- ◆ Retire os filtros antigos (30).
- ◆ Introduza os novos filtros tal como apresentado.
- ◆ Feche a tampa.

VB1850 – Substituição do filtro HEPA

O filtro HEPA reduz ao mínimo a quantidade de pó que sai do compartimento de motor. Os filtros devem ser substituídos sempre que se encontrem gastos ou danificados. Poderá obter filtros para substituição através de seu revendedor Black & Decker (referência em catálogo VBF30).

- ◆ Proceda com descrito anteriormente para a substituição do filtro (31).

Protecção do meio ambiente



A Black & Decker oferece facilidades para a reciclagem de produtos Black & Decker uma vez que os mesmos tenham alcançado o final de suas vidas úteis. Este serviço é fornecido sem encargos. Para utilizá-lo, devolva o seu produto a qualquer agente de reparação autorizado, que se encarregará de recolher o equipamento em nosso nome.

Para verificar a localização do agente de reparação mais próximo de si, contacte o escritório local da Black & Decker no endereço indicado neste manual. Se preferir, consulte a lista de agentes autorizados da Black & Decker e os dados completos dos nossos serviços de atendimento pós-venda na Internet no endereço: **www.2helpU.com**

Dados técnicos

		VB1600	VB1710	VB1820
		VB1630	VB1740	VB1850
Voltagem	V	230	230	230
Potência	W	1.600	1.700	1.800
Comprimento do cabo	m	6	6	6
Tamanho do saco	l	3,5	3,5	3,5
Peso	kg	6	6	6

Declaração de conformidade CE

VB1600/VB1630/VB1710/VB1740/VB1820/VB1850

A Black & Decker declara que estes produtos estão em conformidade com a:

89/336/CEE, 73/23/CEE, EN 55014, EN 61000, EN 60335

Colin Wills

Director de engenharia

BDCI, 4/F, 2 Dai Wang Street

Tai Po Industrial Estate

Tai Po NT, Hong Kong

1-12-2003

Números de aplicação da patente do Reino Unido 0314932.5

Número de aplicação do desenho do Reino Unido 3 013 969

Número de aplicação do desenho da Austrália 484/04

Número de aplicação do desenho da União Europeia 131 669

Número de aplicação do desenho China 200430002049

Número de aplicação do desenho dos Estados Unidos
29/199,055

Garantia

A Black & Decker confia na qualidade de seus produtos e oferece um programa de garantia excelente. Esta declaração de garantia soma-se aos seus direitos legais e não os prejudica em nenhum aspecto. A garantia será válida nos territórios dos Estados Membros da União Europeia e na Área de Livre Comércio da Europa.

Caso algum produto da Black & Decker apresente avarias devido a defeitos de material, mão-de-obra ou ausência de conformidade no prazo de 24 meses a partir da data de compra, a Black & Decker garantirá a substituição das peças defeituosas, a reparação dos produtos que foram submetidos a uso adequado e remoção ou substituição dos mesmos para assegurar o mínimo de inconvenientes ao cliente a menos que:

- ◆ O produto tenha sido utilizado para fins comerciais, profissionais ou aluguer;
- ◆ O produto tenha sido submetido a uso incorrecto ou descuido;
- ◆ O produto tenha sofrido danos causados por objectos estranhos, substâncias ou acidentes;
- ◆ Tenha um histórico de reparações efectuadas por terceiros que não sejam os agentes autorizados ou profissionais de manutenção da Black & Decker.

Para activar a garantia, será necessário enviar a prova de compra ao revendedor ou agente de reparação autorizado. Para verificar a localização do agente de reparação mais próximo de si contacte o escritório local da Black & Decker no endereço indicado neste manual. Se preferir, consulte a lista de agentes autorizados da Black & Decker e os dados completos de nossos serviços de atendimento pós-venda na Internet no endereço: **www.2helpU.com**

Visite o nosso website **www.blackanddecker.com** para registar o seu novo produto Black & Decker e para se manter actualizado sobre novos produtos e ofertas especiais. Estão disponíveis mais informações sobre a Black & Decker e sobre a nossa gama de produtos em **www.blackanddecker.com**

Användningsområde

Din Black & Decker dammsugare är avsedd till att suga upp torra substanser.

Produkten är endast avsedd för hemmabruk.

Säkerhetsanvisningar

- ◆ **Varning!** När man använder elektriska apparater är det viktigt att man bl.a. följer nedanstående säkerhetsanvisningar för att minska risken för brand, elektriska stötar, personskador och materialskador.
- ◆ Läs bruksanvisningen innan du använder apparaten.
- ◆ Apparaten är avsedd för den användning som beskrivs i denna bruksanvisning. Använd endast de tillbehör och tillsatser som rekommenderas i bruksanvisningen och katalogerna. Användning av annat tillbehör eller tillsats kan innebära risk för personskada.
- ◆ Behåll bruksanvisningen för framtida bruk.

Användning av apparaten

- ◆ Se till att apparaten är avstängd innan den kopplas till eller från elnätet.
- ◆ Var alltid försiktig när du använder apparaten.
- ◆ Använd inte apparaten utomhus.
- ◆ Drag aldrig i sladden för att ta ur stickkontakten. Utsätt inte sladden för värmekällor, olja eller skarpa kanter.
- ◆ Stäng genast av apparaten och dra ut kontakten om sladden skadats vid användning. Vidrör inte sladden förrän kontakten är utdragen.
- ◆ Tag ur kontakten när apparaten inte används, vid byte av någon del av verktyget eller tillbehör samt vid rengöring.

Andra personers säkerhet

- ◆ Låt aldrig barn, eller personer som inte har läst denna bruksanvisning använda verktyget.
- ◆ Tillåt inte barn, besökande eller djur att komma i närheten av arbetsplatsen eller att röra vid apparaten eller sladden. Var mycket uppmärksam när apparaten används nära barn.

Efter användning

- ◆ Stäng av apparaten och dra ut kontakten från vägguttaget innan du lämnar apparaten utan tillsyn och innan du byter, rengör eller inspekterar någon del av apparaten.
- ◆ När apparaten inte används ska den förvaras torrt. Se till att barn inte har tillgång till apparaten.

Kontroll och reparation

- ◆ Syna apparaten före bruk på skador eller defekta delar. Kontrollera att inga delar är trasiga, att strömbrytaren inte är skadad eller att inget annat kan inverka på funktionen.
- ◆ Använd inte verktyget om någon del är skadad eller defekt.
- ◆ Om fel uppstår ska delarna repareras eller bytas ut av en auktoriserad Black & Decker serviceverkstad.

- ◆ Kontrollera före användning om sladden är skadad, sliten eller börjar bli gammal.
- ◆ Använd aldrig apparaten om sladden eller kontakten är skadad eller defekt.
- ◆ Om sladden är skadad måste den bytas ut av en behörig reparatör för att undvika risker. Skär/klipp ej i sladden. Försök ej heller att laga den själv.
- ◆ Försök aldrig att ta bort eller byta ut andra delar än dem som nämns i denna bruksanvisning.

Dubbelisolering



Eftersom apparaten är dubbelisolerad behövs ingen jordledare. Kontrollera alltid att nätspanningen överensstämmer med värdet på typskylten.

Tillkommande säkerhetsanvisningar för dammsugare.

- ◆ Sug inte upp vätskor med apparaten.
- ◆ Sug inte upp lättantändligt material med apparaten.
- ◆ Använd inte apparaten i närheten av vatten. Sänk aldrig apparaten i vatten.
- ◆ Undvik att rikta motorns luftström mot ögonen eller ansiktet.
- ◆ Se till att barn och husdjur befinner sig på behörigt avstånd när du använder apparaten.
- ◆ Arbeta alltid nedifrån uppåt när du använder apparaten på trappor, håll apparaten minst ett trappsteg lägre än där du arbetar.
- ◆ Använd inte apparaten utan att sugmunstycket eller ett annat lämpat tillbehör sitter på röret.
- ◆ Använd endast Black & Decker tillbehör.

Funktioner

Apparaten har en del eller samtliga av nedanstående funktioner (fig. A).

1. Strömbrytare
2. Hastighetsreglage (VB1630/VB1740/VB1820/VB1850)
3. Upplindningsknapp för sladden, .
4. Handtag
5. Lock
6. Slang
7. Reglage för luftflödet
8. Förlängningsrör
9. Sugmunstycke
10. Hjul

Vidare levereras apparaten med vissa eller samtliga av följande tillbehör (fig. B):

11. Munstycke för springor
12. Borstmunstycke
13. Munstycke för parkettgolv (VB1630/VB1740/VB1850)

Munstycket för parkettgolv medföljer inte alla modeller. Detta tillbehör kan erhållas hos din Black & Decker återförsäljare / serviceverkstad (kat. nr. VW70).

Montering

Placering av dammpåsen (fig. C & D)

Varning! Glöm inte att placera en dammpåse före den första användningen.

- ◆ Öppna locket (5) enligt bilden (fig. C).
- ◆ Placera en dammpåse (15) i påshållaren (16).
- ◆ Rikta dammpåsens krage (17) mot intaget (18) (fig. D).
- ◆ Se till att intaget sticker in i dammpåsens krage.
- ◆ Stäng locket.

Montering av slangen (fig. E)

- ◆ För in slangens fattning (18) i apparatens intag (19).
- ◆ Skjut slangen vidare tills spärrknapparna (20) klickar på plats.
- ◆ Tag lös slangen genom att trycka in spärrknapparna och dra ut slangen.

Montering av förlängningsröret (fig. F)

- ◆ Tryck på spärrknappen (21) och skjut in slangens munstycke (22) i röret (8) tills det klickar på plats.
- ◆ Avlägsna röret genom att trycka på spärrknappen och dra ut slangen ur röret.

Montering av sugmunstycket (fig. G)

Med sugmunstycket (9) kan du suga både mattor och hårda ytor (t.ex. laminat och golvkachel).

- ◆ Tryck på spärrknappen (23) och skjut in röret (8) i munstycket (9) tills det klickar på plats.
- ◆ Avlägsna munstycket genom att trycka på spärrknappen och dra ut röret ur munstycket.

VB1630/VB1740/VB1850 –

Montering av munstycket för parkettgolv (fig. G)

Med parkettmunstycket (13) kan du suga trä- och polerade ytor.

- ◆ Tryck på spärrknappen (23) och skjut in röret (8) i munstycket tills det klickar på plats.
- ◆ Avlägsna munstycket genom att trycka på spärrknappen och dra ut röret ur munstycket.

Montering av tillbehör (fig. G & H)

Med springmunstycket (11) kan du suga på trånga och svåråtkomliga platser. Med borstmunstycket (12) kan du suga möbler, persienner, gardiner, fönster och trappor.

Tillbehören kan monteras både på slangen (6) och på röret (8). När de inte används kan tillbehören förvaras i hållaren (24).

- ◆ Tag ut tillbehöret ur hållaren (fig. H).

- ◆ Tryck på spärrknappen (21 eller 23) och skjut tillbehöret på slangmunstycket (22) eller röret (8) (fig. G).
- ◆ Avlägsna tillbehöret genom att trycka på spärrknappen (21 eller 23) och dra lös tillbehöret.

Användning

Upp- och avlindning av sladden (fig. A)

Du kan trycka på sladdens upplindningsknapp (3) med handen eller foten.

- ◆ Drag före bruk ut en tillräckligt lång del av sladden ur apparaten.
- ◆ Tryck efter bruk på upplindningsknappen så att sladden dras tillbaka på plats. Led sladden för hand så att den inte svänger tillbaka. Se till att kontakten kommer väl på plats.

Inställning av rörets längd (fig. I)

Förlängningsröret (8) kan ställas in i 21 steg.

- ◆ Tryck på justeringsknappen (25) och skjut röret till önskad längd.
- ◆ Släpp knappen.

Inställning av sugmunstycket (fig. G)

- ◆ För att suga mattor ställer du väljaren för golvyta (26) i läget "upp".
- ◆ För att suga jämna golvytor sätter du väljaren i läget "ned".

Start och stopp (fig. A)

Du kan trycka på strömbrytaren (1) med handen eller foten.

- ◆ Tryck på strömbrytaren (1) för att starta apparaten.
- ◆ Tryck åter på strömbrytaren för att stänga av apparaten.

VB1630/VB1740/VB1820/VB1850 – Inställning av sugkraften (fig. A)

Med hastighetsreglaget (2) kan du ställa in sugkraften noggrant.

- ◆ Skjut hastighetsreglaget (2) till önskat läge.
- ◆ Välj en hög hastighet när du suger hårda ytor (t.ex. golv).
- ◆ Välj en låg hastighet när du suger mjuka ytor (t.ex. stoppade möbler).

Inställning av luftflödet (fig. A)

- ◆ Flytta flödesreglaget (7) för att ställa in önskat luftflöde.

Dammsugning

- ◆ Se medan du arbetar med apparaten till att slangen inte fastnar, vrids eller blockeras.
- ◆ Vid överhettning aktiveras en avstängningsfunktion så att apparaten stannar automatiskt.
- ◆ Om apparaten slutar fungera ska den kopplas lös från elnätet och få svalna i 2 - 3 timmar.

Råd för bästa resultat

- ◆ När du arbetar på trånga platser kan du tillfälligt avlägsna tillbehörshållaren från röret för att komma åt bättre.
- ◆ Börja alltid längst ned och arbeta uppåt när du dammsuger trappor. Ställ apparaten på golvet och sug trappan upp till hälften. Ställ apparaten sedan på en plats där den står stadigt, minst ett trappsteg lägre än där du arbetar, och sug den övre hälften av trappan.

Förflyttning av apparaten (fig. J)

Under bruk kan du bära apparaten i handtaget (4).

- ◆ Fäll handtaget i läge enligt bilden.

Tillfällig parkering av sugmunstycket (fig. K)

- ◆ Använd parkeringsläget (34) för att tillfälligt parkera sugmunstycket.

Förvaring av apparaten (fig. L)

Varning! Stäng av apparaten och drag ut kontakten innan du ställer undan den.

- ◆ Kontrollera att sladden är helt upplindad.
- ◆ Ställ apparaten upprätt.
- ◆ Parkera röret genom att sätta kammarna på munstycket och röret i de korresponderande springorna på apparaten enligt bilden. Spärren (32) griper automatiskt.
- ◆ Förvara apparaten på en torr plats. Apparaten kan bäras vid det inbyggda handtaget (33).
- ◆ För att lossa röret från apparaten före bruk trycker du på en av spärrknapparna och lyfter lös röret och munstycket från parkeringsspringorna.

Skötsel

Din Black & Decker apparat har tillverkats för att fungera under lång tid med minimalt underhåll. Med rätt underhåll och regelbunden rengöring behåller apparaten sina prestanda.

Varning! Drag ut kontakten ur vägguttaget innan du utför någon skötsel eller rengör apparaten.

- ◆ Rengör regelbundet apparatens luftintag med en mjuk borste eller torr trasa.
- ◆ Rengör kåpan regelbundet med en fuktig trasa. Använd aldrig rengöringsmedel med lösnings- eller slipmedel.

Byte av dammpåsen (fig. C & D)

Damppåsen måste bytas om den röda indikatorn för full påse (14) är synlig medan apparaten löper vid högsta hastighet med munstycket höjt från underlaget. Nya påsar kan erhållas från din Black & Decker återförsäljare (kat.nr. VBP50).

- ◆ Öppna locket (5) enligt bilden (fig. C).

- ◆ Dra tillbaka påshållaren (16) något för att dra lös dammpåsens krage (17) från intaget (18) (fig. D).
- ◆ Tag lös den gamla dammpåsen (15) från påshållaren.
- ◆ Placera en ny dammpåse i påshållaren.
- ◆ Rikta dammpåsens krage (17) mot intaget (18).
- ◆ Se till att intaget sticker in i dammpåsens krage.
- ◆ Stäng locket.

Rengöring

Varning! Stäng av apparaten och dra ut sladden före rengöring eller underhåll.

- ◆ Torka apparaten tidvis med en fuktig trasa. Använd aldrig rengöringsmedel med lösnings- eller slipmedel. Sänk aldrig apparaten i vatten.

Rengöring av motorns filter (fig. C, D & M)

Motorfiltret reducerar mängden damm som tränger in i motorhuset till ett minimum. Filtret kan återanvändas och ska rengöras regelbundet.

- ◆ Öppna locket (5) enligt bilden (fig. C).
- ◆ Ta ut dammpåsen (fig. D).
- ◆ Drag ut filtret (27) ur filterhållaren (28) (fig. M).
- ◆ Borsta bort eventuellt löst damm från filtret.
- ◆ Sätt tillbaka filtret.
- ◆ Placera en ny dammpåse (fig. D).
- ◆ Stäng locket (fig. C).

Byte av filtren (fig. C, D & M - O)

Motorns filter och utsläppets filter ska bytas minst per 6 till 9 månader, eller vid behov om de är utslitna eller skadade. Alla filter måste bytas samtidigt. Nya filtersatser kan erhållas från din Black & Decker återförsäljare (kat.nr. VBF20).

Byte av motorns filter (fig. C, D & M)

- ◆ Följ ovanstående beskrivning för byte av filtret (27).

Byte av utsläppets filter (fig. N & O)

- ◆ Öppna locket (29).
- ◆ Avlägsna de gamla filtren (30).
- ◆ Placera de nya filtren enligt bilden.
- ◆ Stäng locket.

VB1850 – Byte av HEPA-filtret

HEPA-filtret reducerar mängden damm som kommer ut ur motorhuset till ett minimum. Filtren ska bytas ut när de är utslitna eller skadade. Nya filter kan erhållas från din Black & Decker återförsäljare (kat.nr. VBF30).

- ◆ Gör likadant som ovan för byte av filtret (31).

Miljö



När din apparat är utsliten, skydda naturen genom att inte slänga det tillsammans med vanligt avfall. Lämna det till de uppsamlingsställen som finns i din kommun eller där du köpt apparaten.

Tekniska data

		VB1600	VB1710	VB1820
		VB1630	VB1740	VB1850
Spänning	V	230	230	230
Ineffekt	W	1.600	1.700	1.800
Sladdens längd	m	6	6	6
Påsens storlek	l	3,5	3,5	3,5
Vikt	kg	6	6	6

EC-förklaring om överensstämmelse

VB1600/VB1630/VB1710/VB1740/VB1820/VB1850

Black & Decker förklarar att dessa produkter överensstämmer med:

89/336/EEG, 73/23/EEG, EN 55014, EN 61000, EN 60335

Colin Wills

Director of Engineering
BDCI, 4/F, 2 Dai Wang Street
Tai Po Industrial Estate
Tai Po NT, Hong Kong
1-12-2003

Patentdokument (Storbritannien): 0314932.5

Tillverkningsdokument (Storbritannien): 3 013 969

Tillverkningsdokument (Australien): 484/04

Tillverkningsdokument (EU): 131 669

Tillverkningsdokument (Kina): 200430002049

Tillverkningsdokument (USA): 29/199,055

Reservdelar / reparationer

Reservdelar finns att köpa hos auktoriserade Black & Decker verkstäder, som även ger kostnadsförslag och reparerar våra produkter.

Förteckning över våra auktoriserade verkstäder finns på Internet, vår hemsida www.blackanddecker.se samt www.2helpU.com

Garanti

Black & Decker garanterar att produkten är fri från material- och/eller fabrikationsfel vid leverans till kund. Garantin är i tillägg till konsumentens lagliga rättigheter och påverkar inte dessa. Garantin gäller inom medlemsstaterna i Europeiska Unionen och i det Europeiska Frihandelsområdet.

Om en Black & Decker produkt går sönder på grund av material- och/eller fabrikationsfel eller brister i överensstämmelse med specifikationen, inom 24 månader från köpet, åtar sig Black & Decker att reparera eller byta ut produkten med minsta besvär för kunden.

Garantin gäller inte för fel som beror på:

- ◆ normalt slitage
- ◆ felaktig användning eller skötsel
- ◆ att produkten skadats av främmande föremål, ämnen eller genom olyckshändelse

Garantin gäller inte om reparation har utförts av någon annan än en auktoriserad Black & Decker verkstad.

För att utnyttja garantin skall produkten och inköpskvittot lämnas till återförsäljaren eller till en auktoriserad verkstad senast 2 månader efter det att felet har upptäckts.

För information om närmaste auktoriserad verkstad; kontakta det lokala Black & Decker kontoret på den adress som är angiven i bruksanvisningen. En lista på alla auktoriserade verkstäder samt servicevillkor finns även tillgängligt på Internet, adress: www.2helpU.com

Besök vår webbplats www.blackanddecker.se för att registrera din nya Black & Decker-produkt samt för att erhålla information om nya produkter och specialerbjudanden. Vidare information om märket Black & Decker och vårt produktsortiment kan återfinnas på www.blackanddecker.se

Bruksområder

Denne støvsugeren fra Black & Decker er beregnet på støvsugning på tørt materiale.

Apparatet er kun ment for bruk i hjemmet.

Sikkerhetsinstruksjoner

- ◆ **Advarsel!** Ved bruk av elektriske apparater som er koplet til strømmettet, må du alltid følge en del grunnleggende sikkerhetsregler, inkludert de følgende, for å redusere faren for brann, elektrisk støt, personskade og materialskade.
- ◆ Les nøye gjennom hele denne bruksanvisningen før du begynner å bruke apparatet.
- ◆ Bruksanvisningen beskriver hvordan maskinen skal brukes. Bruk bare tilbehør og utstyr til dette apparatet som anbefales i bruksanvisningen. Bruk av annet tilbehør eller utstyr kan medføre fare for personskade.
- ◆ Oppbevar denne bruksanvisningen på et lett tilgjengelig sted.

Bruke apparatet

- ◆ Kontroller at apparatet er slått av før du kobler det til eller fra strømforsyningen.
- ◆ Vær alltid forsiktig når du bruker apparatet.
- ◆ Apparatet må ikke brukes utendørs.
- ◆ Ikke trekk i ledningen når du skal kople fra støpslet. Ikke utsett strømledningen for varme, olje eller skarpe kanter.
- ◆ Hvis strømkabelen er skadet ved bruk, må du koble fra strømtilførselen til apparatet umiddelbart. Ikke berør strømledningen før du har koblet fra strømtilførselen.
- ◆ Apparatet må kobles fra strømtilførselen når det ikke er i bruk, før montering eller fjerning av deler, og før rengjøring.

Andre personers sikkerhet

- ◆ La aldri barn eller personer som ikke har lest denne bruksanvisningen bruke verktøyet.
- ◆ Ikke la barn eller dyr komme i nærheten av arbeidsområdet eller berøre verktøyet eller strømledningen. Vær ekstra oppmerksom når apparatet brukes i nærheten av barn.

Etter bruk

- ◆ Slå av apparatet og trekk ut kontakten før du forlater apparatet og før du skifter, rengjør eller inspiserer noen deler av apparatet.
- ◆ Når apparatet ikke er i bruk, må det oppbevares på et tørt sted. Oppbevares utilgjengelig for barn.

Kontroll og reparasjon

- ◆ Før bruk må du kontrollere apparatet med hensyn til skader eller defekter. Kontroller også at ingen deler er skadet, at strømbryteren ikke er skadet eller eventuelle andre forhold som kan påvirke apparatets funksjon.

- ◆ Bruk aldri apparatet hvis noen av delene er skadet eller defekte.
- ◆ Ved skade eller feil må delene repareres eller byttes ut av et autorisert serviceverksted.
- ◆ Før bruk må du kontrollere om strømledningen er skadet eller slitt.
- ◆ Bruk ikke apparatet hvis strømkabelen eller støpselet er skadet eller defekt.
- ◆ Hvis strømledningen eller støpselet er skadet, må den repareres av en autorisert reparasjonstekniker for å unngå enhver risiko. Ikke kutt strømledningen, og ikke forsøk å reparere den selv.
- ◆ Prøv aldri å fjerne eller skifte ut andre deler enn de som er angitt i denne bruksanvisningen.

Dobbeltisolering



Dette apparatet er dobbeltisolert. Derfor er ikke jording nødvendig. Kontroller at nettspenningen er i overensstemmelse med spenningen på typeskiltet.

Ekstra sikkerhetsinstruksjoner for støvsugere

- ◆ Apparatet må ikke brukes til å suge opp væske.
- ◆ Apparatet må ikke brukes til å suge opp materialer som kan ta fyr.
- ◆ Apparatet må ikke brukes i nærheten av vann. Apparatet må ikke dypes i vann.
- ◆ Unngå å få luftstrømmen fra motoren i øynene og ansiktet.
- ◆ Hold barn og dyr på trygg avstand når du bruker dette apparatet.
- ◆ Arbeid alltid nedenfra og opp når du bruker apparatet i trapper, og ha apparatet minst ett trinn under din arbeidsposisjon.
- ◆ Ikke bruk apparatet uten sugemunestykket eller annet egnet tilbehør montert på slangen.
- ◆ Bruk bare tilbehør fra Black & Decker.

Funksjoner

Dette apparatet har noen av eller alle følgende funksjoner (fig. A):

1. Strømbryter
2. Bryter for hastighetskontroll (VB1630/VB1740/VB1820/VB1850)
3. Knapp for ledningsspole
4. Håndtak
5. Deksel
6. Slange
7. Bryter for kontroll av luftstrøm
8. Forlengelsesrør
9. Sugemunestykke
10. Hjul

I tillegg er dette apparatet utstyrt med noe av eller alt følgende tilbehør (fig. B):

11. Elementmunnstykke
12. Børstemunnstykke
13. Munnstykke til parkettgulv (VB1630/VB1740/VB1850)

Munnstykket for parkettgulv er ikke inkludert for alle modeller. Dette tilbehøret kan fås fra Black & Decker-forhandleren eller servicesenteret (katalognr. VW70).

Montering

Montering av støvposen (fig. C & D)

Advarsel! Sørg for å montere en støvpose før du tar i bruk apparatet.

- ◆ Åpne dekselet (5) som vist (fig. C).
- ◆ Plasser en støvpose (15) i støvposeholderen (16).
- ◆ Juster kragen på støvposen (17) til inntaket (18) (fig. D).
- ◆ Sørg for at inntaket går innenfor kragen på støvposen.
- ◆ Lukk dekselet.

Koble til slangen (fig. E)

- ◆ Sett slangekoplingen (18) inn i inntaket (19) på støvsugeren.
- ◆ Skyv slangen inn helt til løsneknappene (20) klikker på plass.
- ◆ For å koble fra slangen trykker du på løsneknappene og trekker ut slangen.

Montering av forlengelsesrøret (fig. F)

- ◆ Trykk inn låseknappen (21) og skyv slangemunnstykket (22) inn i røret (8) til det klikker på plass.
- ◆ Hvis du skal fjerne slangen, trykker du inn låseknappen og trekker slangen ut av røret.

Montering av sugemunnstykket (fig. G)

Sugemunnstykket (9) brukes til støvsuging på tepper og harde overflater (f.eks. laminat og fliser).

- ◆ Trykk inn låseknappen (23) og skyv røret (8) inn i munnstykket (9) til det klikker på plass.
- ◆ Hvis du skal fjerne munnstykket, trykker du inn låseknappen og trekker røret ut av slangen.

VB1630/VB1740/VB1850 –

Montering av munnstykket for parkettgulv (fig. G)

Munnstykket for parkettgulv (13) brukes til støvsuging på tregulv og polerte overflater.

- ◆ Trykk inn låseknappen (23) og skyv røret (8) inn i munnstykket til det klikker på plass.
- ◆ Hvis du skal fjerne munnstykket, trykker du inn låseknappen og trekker røret ut av slangen.

Montering av tilbehør (fig. G & H)

Elementmunnstykket (11) brukes til støvsuging på smale og vanskelig tilgjengelige steder. Børstemunnstykket (12) brukes til støvsuging på møbler, persiener, gardiner, vinduer og i trapper. Tilbehøret kan monteres både på slangen (6) og på røret (8). Når tilbehøret ikke er i bruk, kan det oppbevares i tilbehørsholderen (24).

- ◆ Fjern tilbehøret fra holderen (fig. H).
- ◆ Trykk inn låseknappen (21 eller 23) og skyv tilbehøret inn på slangemunnstykket (22) eller røret (8) (fig. G).
- ◆ Hvis du skal fjerne et tilbehør, trykker du inn låseknappen (21 eller 23) og trekker tilbehøret av.

Bruk

Dra ut og spole inn ledningen (fig. A)

Knappen for ledningsspole (3) kan betjenes med en hånd eller fot.

- ◆ Før bruk trekker du ut en tilstrekkelig lengde av ledningen fra baksiden av apparatet.
- ◆ Etter bruk trykker du på spoleknappen for å spole inn ledningen igjen. Hjelp til med hånden for å unngå sleng på ledningen. Kontroller at kontakten er riktig plassert.

Justering av rørlengden (fig. I)

Forlengelsesrøret (8) kan justeres i 21 trinn.

- ◆ Trykk inn justeringsknappen (25) og skyv røret til ønsket lengde.
- ◆ Slipp knappen.

Justering av sugemunnstykket (fig. G)

- ◆ For støvsuging på tepper skyver du velgeren for gulvoverflate (26) til hevet stilling.
- ◆ For støvsuging på laminater, fliser osv., setter du velgeren for gulvoverflate i senket stilling.

Start og stopp (fig. A)

Strømbryteren (1) kan betjenes med en hånd eller fot.

- ◆ Trykk på strømbryteren (1) for å slå verktøyet på.
- ◆ Trykk på strømbryteren en gang til for å slå av apparatet.

VB1630/VB1740/VB1820/VB1850 – Stille inn sugekraften (fig. A)

Med bryteren for hastighetskontroll (2) kan du stille inn nøyaktig hvilken sugekraft du ønsker.

- ◆ Skyv bryteren for hastighetskontroll (2) til ønsket innstilling.
- ◆ For støvsuging på harde overflater (f.eks. gulv), bør du velge en høy hastighetsinnstilling.
- ◆ For støvsuging på myke overflater (f.eks. gulv), bør du velge en lav hastighetsinnstilling.

Justering av luftstrømmen (fig. A)

- ◆ Flytt på bryteren for kontroll av luftstrøm (7) for å justere luftstrømmen slik du ønsker.

Støvsuging

- ◆ Når du bruker apparatet, må du passe på at slangen ikke setter seg fast, blir vridd eller blokkert.
- ◆ I tilfelle overoppheting vil det oppstå en utkopling, og apparatet stopper automatisk.
- ◆ Hvis apparatet slutter å virke, kobler du fra strømforsyningen og lar det avkjøles i 2 - 3 timer.

Råd for optimalt resultat

- ◆ Når du arbeider på steder med begrenset plass, kan du midlertidig fjerne tilbehørsholderen fra røret for å få bedre rekkevidde.
- ◆ Når du støvsuger i trapper, bør du alltid begynne nederst og arbeide deg oppover. Plasser apparatet på gulvet, og støvsug trappene halvveis opp. Deretter løfter du apparatet til en stabil stilling minst ett trinn under arbeidsposisjonen din, og støvsuger øvre halvdel av trappen.

Løfting av apparatet (fig. J)

Under bruk kan apparatet bæres i håndtaket (4).

- ◆ Vipp håndtaket i stilling som vist.

Midlertidig parkering av sugemunnstykket (fig. K)

- ◆ Bruk parkeringsstillingen (34) for en midlertidig parkering av sugemunnstykket.

Oppbevaring av apparatet (fig. L)

Advarsel! Når apparatet skal oppbevares, må du slå det av og koble det fra strømforsyningen.

- ◆ Kontroller at ledningen er spolt helt inn.
- ◆ Plasser apparatet i stående stilling.
- ◆ Parker røret ved å plassere rillene på munnstykket og røret i de tilsvarende sporene på apparatet, som vist. Låsemekanismen (32) kobles inn automatisk.
- ◆ Oppbevar apparatet på et tørt sted. Apparatet kan bæres i det innebygde håndtaket (33).
- ◆ Hvis du skal ta av røret fra apparatet for bruk, trykker du inn en av låseknappene og løfter røret og munnstykket ut av parkeringssporene.

Vedlikehold

Dette Black & Decker-apparat er konstruert for å være i drift over en lang periode med et minimum av vedlikehold. Med riktig vedlikehold og regelmessig rengjøring beholder apparatet ytelsen.

Advarsel! Før du utfører vedlikehold eller rengjøring på apparatet, må du koble det fra strømforsyningen.

- ◆ Rengjør luftinntaket på apparatet regelmessig med en myk børste eller en tørr klut.
- ◆ Rengjør motorhuset regelmessig med en fuktig klut. Ikke bruk slipende eller løsemiddelbaserte rengjøringsmidler.

Skifte støvposen (fig. C & D)

Støvposen må skiftes når den røde indikatoren for full pose (14) er synlig mens apparatet kjøres på full hastighet og munnstykket er løftet opp fra underlaget. Nye støvposer kan skaffes hos din Black & Decker-forhandler (kat. no. VBP50).

- ◆ Åpne dekselet (5) som vist (fig. C).
- ◆ Skyv støvposeholderen (16) litt tilbake for å fjerne kragen på støvposen (17) fra inntaket (18) (fig. D).
- ◆ Fjern den gamle støvposen (15) fra støvposeholderen.
- ◆ Plasser en ny støvpose i støvposeholderen.
- ◆ Juster kragen på støvposen (17) til inntaket (18).
- ◆ Sørg for at inntaket går innenfor kragen på støvposen.
- ◆ Lukk dekselet.

Rengjøring

Advarsel! Før rengjøring og vedlikehold må du slå av apparatet og trekke ut kontakten.

- ◆ Fra tid til annen bør du tørke av apparatet med en fuktig klut. Ikke bruk slipende eller løsemiddelbaserte rengjøringsmidler. Apparatet må ikke dypes i vann.

Rengjøring av motorfilteret (fig. C, D & M)

Motorfilteret reduserer støvmengden som kommer inn i motorhuset, til et minimum. Filtret kan brukes mange ganger, og må rengjøres jevnlig.

- ◆ Åpne dekselet (5) som vist (fig. C).
- ◆ Fjern støvposen (fig. D).
- ◆ Trekk filteret (27) ut av filterholderen (28) (fig. M).
- ◆ Børst av eventuelt løst støv på filteret.
- ◆ Skift filteret.
- ◆ Sett inn en ny støvpose (fig. D).
- ◆ Lukk dekselet (fig. C).

Skifte filtre (fig. C, D & M - O)

Motorfilteret og utslippsfilteret må byttes etter 6 til 9 måneder, og alltid når de er slitt eller skadet. Filtrene må byttes samtidig. Nye sett med filtre kan skaffes hos din Black & Decker-forhandler (kat. nr. VBF20).

Bytte motorfilteret (fig. C, D & M)

- ◆ Gå frem som beskrevet ovenfor for å skifte filteret (27).

Skifte utslippsfiltrene (fig. N & O)

- ◆ Åpne dekslet (29).
- ◆ Fjern de gamle filtrene (30).
- ◆ Sett inn de nye filtrene som vist.
- ◆ Lukk dekslet.

VB1850 - Skifte HEPA-filtrene

HEPA-filteret reduserer støvmengden som kommer ut av motorhuset, til et minimum. Filtrene bør skiftes når de er slitt eller skadet. Nye filtre kan skaffes hos din Black & Decker-forhandler (kat. no. VBF30).

- ◆ Fortsett som beskrevet ovenfor for å skifte filteret (31).

Miljø



Når verktøyet ditt er utslitt, beskytt naturen ved ikke å kaste det sammen med vanlig avfall. Lever det til en oppsamlingsplass som finnes i din kommune eller der hvor du kjøpte verktøyet.

Tekniske data

		VB1600	VB1710	VB1820
		VB1630	VB1740	VB1850
Spenning	V	230	230	230
Inn-effekt	W	1.600	1.700	1.800
Kabellengde	m	6	6	6
Posestørrelse	l	3,5	3,5	3,5
Vekt	kg	6	6	6

Samsvarserklæring for EU

VB1600/VB1630/VB1710/VB1740/VB1820/VB1850

Black & Decker erklærer at disse produktene overholder:
89/336/EØF, 73/23/EØF, EN 55014, EN 61000, EN 60335

Colin Wills
Director of Engineering
BDCI, 4/F, 2 Dai Wang Street
Tai Po Industrial Estate
Tai Po NT, Hong Kong
1-12-2003

Britiske patentsøknadsnumre 0314932.5
Britisk designsøknadsnummer 3 013 969
Australisk designsøknadsnummer 484/04
Europeisk designsøknadsnummer 131 669
Kinesisk designsøknadsnummer 200430002049
Designsøknadsnummer i USA 29/199,055

Reservdeler / reparasjoner

Reservdeler kan kjøpes hos autoriserte Black & Decker serviceverksteder, som også gir kostnadsoverslag og reparerer våre produkter.

Oversikt over våre autoriserte serviceverksteder finnes på Internet, vår hjemmeside www.blackanddecker.no samt www.2helpU.com

Garanti

Black & Decker garanterer at produktet ikke har material- og/eller fabrikkasjonsfeil ved levering til kunde. Garantien er i tillegg til kundens lovlige rettigheter og påvirker ikke disse. Garantien gjelder innen medlemsstatene i den Europeiske Unionen og i det Europeiske Frihandelsområdet.

Hvis et Black & Decker produkt går i stykker på grunn av material- og/eller fabrikkasjonsfeil eller har mangler i forhold til spesifikasjonene, innen 24 måneder fra kjøpet, påtar Black & Decker seg å reparere eller bytte ut produktet med minst mulig vanskelighet for kunden.

Garantien gjelder ikke for feil som kommer av:

- ◆ normal slittasje
- ◆ feilaktig bruk eller vedlikehold (mislighold)
- ◆ at produktet har blitt skadet av fremmede gjenstander, emner eller ved et uhell

Det gjøres oppmerksom på at produktet ikke er beregnet på industriell/profesjonell/yrkesmessig bruk, men til hus- og hjemmebruk.

Garantien gjelder ikke om reparasjoner har blitt utført av noen andre enn et autorisert Black & Decker serviceverksted.

For å ta garantien i bruk skal produktet og kjøpekvitteing leveres til forhandleren eller til et autorisert serviceverksted senest 2 måneder etter at feilen har blitt oppdaget. For informasjon om nærmeste autoriserte serviceverksted; kontakt det lokale Black & Decker kontoret på den adressen som er angitt i bruksanvisningen. En oversikt over alle autoriserte serviceverksteder samt servicevilkår finnes også tilgjengelig på Internet, adresse: www.2helpU.com

Vennligst stikk innom våre nettsider på www.blackanddecker.no for å registrere ditt nye Black & Decker-produkt og for å holde deg oppdatert om nye produkter og spesialtilbud. Du finner mer informasjon om Black & Decker og produktutvalget vårt på www.blackanddecker.no

Anvendelsesområde

Din Black & Decker-støvsuger er til opsugning af tørre stoffer. Produktet er kun beregnet til husholdningsbrug.

Sikkerhedsinstruktioner

- ◆ **Advarsel!** Ved brug af elektriske maskiner skal de grundlæggende sikkerhedsforanstaltninger, inkl. nedenstående, altid følges, således at risikoen for brand, elektrisk stød samt person- og materialeskader begrænses.
- ◆ Læs denne brugsanvisning omhyggeligt igennem, inden maskinen tages i brug.
- ◆ Maskinen skal bruges som beskrevet i denne brugsanvisning. Anvendelsen af andet tilbehør eller udførelse af opgaver med andet udstyr end det her anbefalede kan medføre risiko for personskader.
- ◆ Opbevar denne brugsanvisning til fremtidig brug.

Brug af maskinen

- ◆ Sørg for, at maskinen er slukket, før du tilslutter den til strømforsyningen eller afbryder den.
- ◆ Vær altid omhyggelig, når du bruger maskinen.
- ◆ Brug ikke maskinen udendørs.
- ◆ Træk aldrig i ledningen for at tage stikket ud af kontakten. Ledningen skal holdes på afstand af varme, olie og skarpe kanter.
- ◆ Hvis ledningen beskadiges ved brugen, skal maskinen straks afbrydes ved kontakten. Rør ikke ved el-ledningen, før den er trukket ud af kontakten.
- ◆ Afbryd maskinen ved stikkontakten, når den ikke er i brug, før du monterer eller fjerner dele fra den, og før du rengør den.

Andres sikkerhed

- ◆ Tillad ikke børn eller personer, der ikke har læst denne brugsanvisning, at arbejde med maskinen.
- ◆ Børn eller dyr må ikke nærme sig arbejdsområdet eller røre ved maskinen eller netkablet. Tæt overvågning er nødvendig, når maskinen bruges i nærheden af børn.

Efter brug

- ◆ Sluk for maskinen og tag stikket ud af kontakten, før maskinen efterlades ubevogtet, samt før en eller flere dele skal ændres, renses eller undersøges.
- ◆ Når maskinen ikke er i brug, skal den opbevares et tørt sted. Børn må ikke have adgang til opbevarede maskiner.

Undersøgelse og reparation

- ◆ Før brug skal maskinen kontrolleres for skader eller defekte dele. Kontroller for brud på delene, for skader på knapper og andet, der kan have indflydelse på maskinens funktion.
- ◆ Maskinen må ikke benyttes, hvis nogen af delene er beskadigede eller defekte.

- ◆ Skadede eller defekte dele skal repareres eller udskiftes af en autoriseret tekniker.
- ◆ Før brug kontrolleres ledningen for tegn på skader, ældning og slid.
- ◆ Brug ikke maskinen, hvis ledningen eller stikket er beskadiget eller defekt.
- ◆ Hvis elkablet eller stikket er beskadiget eller defekt, skal det repareres af en autoriseret reparatør for at undgå ulykker. Skær ikke i elkablet og forsøg ikke selv at reparere det.
- ◆ Forsøg aldrig at fjerne eller udskifte andre dele end dem, der er specificeret i denne brugsanvisning.

Dobbelt isolering



Denne maskine er dobbelt isoleret. Derfor er jordledning ikke nødvendig. Kontroller altid, at strømforsyningen svarer til spændingen på typeskiltet.

Supplerende sikkerhedsinstruktioner for støvsugere

- ◆ Brug ikke maskinen til at tage væsker op med.
- ◆ Brug ikke maskinen til at tage letantændelige materialer op med.
- ◆ Brug ikke maskinen i nærheden af vand. Dyp ikke maskinen ned i vand.
- ◆ Hold motoren på afstand af ansigtet og øjnene.
- ◆ Hold børn og dyr på sikker afstand af maskinen, når den bruges.
- ◆ Arbejd altid nedefra og op, når du bruger maskinen på trapper. Maskinen skal stå mindst ét trin neden for det trin, som du selv står på.
- ◆ Brug ikke maskinen, uden at sugemundstykket eller andet passende tilbehør er sat på røret.
- ◆ Brug udelukkende Black & Decker-tilbehør.

Funktioner

Denne maskine består af nogle af eller alle de følgende dele (fig. A)

1. Afbryder
2. Hastighedskontrollkontakt (VB1630/VB1740/VB1820/VB1850)
3. Knap til ledningsopruining
4. Håndtag
5. Dæksel
6. Slange
7. Luftstrømskontrollkontakt
8. Forlængerstang
9. Sugemundstykke
10. Hjul

Desuden leveres denne maskine med noget af følgende tilbehør eller det hele (fig. B):

11. Sprækkemundstykke
12. Børstemundstykke
13. Parketmundstykke (VB1630/VB1740/VB1850)

Parketmundstykket følger ikke med alle modeller. Dette tilbehør fås hos en Black & Decker-forhandler/servicecenter (katalognr. VW70).

Samling

Påsætning af støvposen (fig. C & D)

Advarsel! Husk at sætte en støvpose i, før du tager støvsugeren i brug første gang.

- ◆ Åben dækslet (5) som vist (fig. C).
- ◆ Sæt en støvpose (15) i støvposeholderen (16).
- ◆ Sæt støvposekraven (17) ud for indgangen (18) (fig. D).
- ◆ Sørg for at indgangen stikker ind i støvposekraven.
- ◆ Luk dækslet.

Sætte slangen i (fig. E)

- ◆ Sæt slangetilslutningen (18) i indgangen (19) på maskinen.
- ◆ Skyd slangen længere ind, indtil udløserknapperne (20) klikker på plads.
- ◆ Slangen tages af ved at trykke på udløserknapperne og trække slangen ud.

Sætte forlængerstangen på (fig. F)

- ◆ Tryk på låseknappen (21) og skyd slangespidsen (22) ind i stangen (8) indtil den klikker på plads.
- ◆ Stangen tages af ved at trykke på låseknappen og trække slangen ud af stangen.

Sætte sugemundstykket på (fig. G)

Sugemundstykket (9) er til støvsugning af tæpper og hårde overflader (f.eks. laminat og fliser).

- ◆ Tryk på låseknappen (23) og skyd stangen (22) ind i mundstykket (8), indtil den klikker på plads..
- ◆ Mundstykket tages af ved at trykke på låseknappen og trække stangen ud af mundstykket.

VB1630/VB1740/VB1850 – Sætte parketmundstykket på (fig. G)

Parketmundstykket (13) er til støvsugning af træoverflader og bonede overflader.

- ◆ Tryk på låseknappen (23) og skyd stangen (8) ind i mundstykket, indtil den klikker på plads..
- ◆ Mundstykket tages af ved at trykke på låseknappen og trække stangen ud af mundstykket.

Sætte tilbehør på (fig. G & H)

Sprækkemundstykket (11) er til støvsugning på steder der er snævre og svære at nå. Børstemundstykket (12) er til støvsugning af møbler, skodder, gardiner, vinduer og trapper. Tilbehøret kan både sættes på slangen (6) og på stangen (8). Når tilbehøret ikke bruges, kan det opbevares i tilbehørholderen (24).

- ◆ Tag tilbehøret af holderen (fig. H).
- ◆ Tryk på låseknappen (21 eller 23) og skyd tilbehøret på slangespidsen (22) eller på stangen (8) (fig. G).
- ◆ Tilbehøret tages af ved at trykke på låseknappen (21 eller 23) og trække tilbehøret af.

Anvendelse

Rulle ledningen ud/op (fig. A)

Knappen til ledningsoprulning (3) kan betjenes med hånden eller foden.

- ◆ Træk før brug et passende stykke ledning ud fra maskinens bagende.
- ◆ Efter brug sættes ledningen på plads igen ved at trykke på knappen til ledningsoprulning. Styr ledningen med hånden for at sikre, at den ikke svinger tilbage. Sørg for, at stikket sidder korrekt.

Justere stangens længde (fig. I)

Forlængerstangen (8) kan justeres i 21 trin.

- ◆ Brug justeringsknappen (25) og skub stangen, til den har den ønskede længde.
- ◆ Slip knappen

Justere sugemundstykket (fig. G)

- ◆ Til støvsugning af tæpper skal gulvoverfladevælgeren (26) stå oppe.
- ◆ Til støvsugning af laminat, fliser osv. skal gulvoverfladevælgeren stå nede.

Start og stop (fig. A)

Til/fra-kontakten (1) kan betjenes med hånden eller foden.

- ◆ Maskinen tændes ved at trykke på til/fra-kontakten (1).
- ◆ Maskinen slukkes ved trykke på til/fra-kontakten (1) igen.

VB1630/VB1740/VB1820/VB1850 – Indstille sugestyren (fig. A)

Hastighedskontrollkontakten (2) er til at indstille sugestyren præcist med.

- ◆ Skyd hastighedskontrollkontakten (2) i den ønskede indstilling.
- ◆ Vælg en høj hastighed til hårde overflader (f.eks. gulve).
- ◆ Vælg en lav hastighed til bløde overflader (f.eks. møbelstof).

Indstille luftstrømmen (fig. A)

- ◆ Flyt luftstrømsstyringskontakten (7) for at indstille luftstrømmen efter ønske.

Støvsuge

- ◆ Sørg for, at slangen ikke sidder fast eller er snoet eller blokeret, når du bruger maskinen.
- ◆ Hvis støvsugeren bliver for varm, træder en afbryder i funktion, og maskinen standser automatisk.

- ◆ Hvis maskinen holder op med at fungere, skal stikket tages ud af kontakten, og maskinen skal køle af i 2 - 3 timer.

Gode råd til optimalt brug

- ◆ Når du arbejder på steder hvor pladsen er trang, så tag midlertidigt tilbehørsholderen af stangen for at få bedre plads.
- ◆ Start altid nedefra og arbejd dig opad, når du støvsuger trapper. Sæt maskinen på gulvet og støvsug halvdelen af trappen. Bær derefter maskinen op og stil den, så den står stabilt, dvs. mindst ét trin neden for din egen arbejdsposition. Støvsug derefter den øverste halvdel af trappen.

Bære maskinen (fig. J)

Under brugen kan maskinen bæres i håndtaget (4).

- ◆ Tip håndtaget i stilling som vist.

Parkere sugemundstykket midlertidigt (fig. K)

- ◆ Brug parkeringspositionen (34), når du vil parkere sugemundstykket midlertidigt.

Opbevare maskinen (fig. L)

Advarsel! Sluk for maskinen og træk stikket ud af kontakten, når maskinen skal opbevares.

- ◆ Kontroller at ledningen er rullet helt op.
- ◆ Stil maskinen lodret.
- ◆ Parker stangen ved at sætte de ophøjede kanter på mundstykket og stangen i de tilsvarende revner på maskinen som vist. Låsen (32) går automatisk i indgreb.
- ◆ Opbevar maskinen på et tørt sted. Maskinen kan bæres i det integrerede håndtag (33).
- ◆ For at tage stangen af maskinen og tage den i brug trykkes på én af låseknapperne, og stangen og mundstykket løftes ud af parkeringsrevnerne.

Vedligeholdelse

Din Black & Decker maskine er beregnet til brug i lang tid og med et minimum af vedligeholdelse. Men for at maskinen kan blive ved med at fungere tilfredsstillende, skal den passes godt og rengøres regelmæssigt.

Advarsel! Træk altid stikket ud af kontakten, før du foretager vedligeholdelse eller rengøring.

- ◆ Maskinens ventilationshuller skal regelmæssigt renses med en blød børste eller en tør klud.
- ◆ Rens med jævne mellemrum motorhuset med en fugtig klud. Der må ikke bruges skuremidler eller opløsningsmidler.

Skifte støvpose (fig. C & D)

Støvposen skal skiftes, når den røde indikator for fuld pose (14) kommer til syne på maskinen, mens maskinen kører med maksimumhastighed, og mundstykket er hævet op fra overfladen. Støvposer til udskiftning fås hos din Black & Decker-forhandler (katalognummer VBP50).

- ◆ Åben dækslet (5) som vist (fig. C).
- ◆ Træk støvposeholderen (16) lidt tilbage for at tage støvposekraven (17) af indgangen (18) (fig. D).
- ◆ Tag den gamle støvpose (15) af støvposeholderen.
- ◆ Sæt en ny støvpose i støvposeholderen.
- ◆ Sæt støvposekraven (17) ud for indgangen (18).
- ◆ Sørg for at indgangen stikker ind i støvposekraven.
- ◆ Luk dækslet.

Rengøring

Advarsel! Før rengøring og vedligeholdelse skal maskinen slukkes og ledningen tages ud af stikkontakten.

- ◆ Tør af og til maskinen af med en fugtig klud. Der må ikke bruges skuremidler eller opløsningsmidler. Dyp ikke maskinen ned i vand.

Rengøring af motorfilteret (fig. C, D & M)

Motorfilteret begrænser mængden af støv fra motorhuset til et minimum. Filteret kan bruges igen og bør renses jævnligt.

- ◆ Åben dækslet (5) som vist (fig. C).
- ◆ Fjern støvposen (fig. D).
- ◆ Træk filteret (27) ud af filterholderen (28) (fig. M).
- ◆ Børst alt løst støv af filteret.
- ◆ Sæt filteret på plads igen.
- ◆ Sæt en ny støvpose i (fig. D).
- ◆ Luk dækslet (fig. C)

Udskiftning af filtrene (fig. C, D & M - O)

Motor- og udgangsfiltrene skal udskiftes hver 6. til 9. måned, samt hvis de er slidte eller beskadigede. Filtrene skal udskiftes samtidig. Filtersæt til udskiftning fås hos din Black & Decker-forhandler (katalognummer VBF20).

Udskiftning af motorfilteret (fig. C, D & M)

- ◆ Filteret (27) skiftes som beskrevet ovenfor.

Udskiftning af udgangsfiltrene (fig. N & O)

- ◆ Åben dækslet (29).
- ◆ Tag de gamle filtre (30) ud.
- ◆ Sæt de nye filtre i som vist.
- ◆ Luk dækslet.

VB1850 - Udskiftning af HEPA filtrene

HEPA-filretet begrænser mængden af støv fra motorhuset til et minimum. Filtrene bør udskiftes, når de er slidte eller beskadigede. Filtre til udskiftning fås hos din Black & Decker-forhandler (katalognummer VBF30).

- ◆ Filteret (31) skiftes som beskrevet i det foregående.

Miljø



Når dit værktøj er udtjent, beskyt da naturen ved ikke at smide det ud sammen med det almindelige affald. Aflever det på den genbrugsstation, der findes i din kommune eller der hvor værktøjet er købt.

Tekniske data

		VB1600	VB1710	VB1820
		VB1630	VB1740	VB1850
Spænding	V	230	230	230
Motoreffekt	W	1.600	1.700	1.800
Kabellængde	m	6	6	6
Posestørrelse	l	3,5	3,5	3,5
Vægt	kg	6	6	6

EU overensstemmelseserklæring

VB1600/VB1630/VB1710/VB1740/VB1820/VB1850

Black & Decker erklærer, at disse produkter er i overensstemmelse med følgende:

89/336/EØF, 73/23/EØF, EN 55014, EN 61000, EN 60335

Colin Wills
Teknisk direktør
BDCI, 4/F, 2 Dai Wang Street
Tai Po Industrial Estate
Tai Po NT, Hong Kong
1-12-2003

UK-patentanmeldelsesnumre 0314932.5
UK-designanmeldelsesnummer 3 013 969
Australisk designanmeldelsesnummer 484/04
EU-designanmeldelsesnummer 131 669
Kinesisk designanmeldelsesnummer 200430002049
USA-designanmeldelsesnummer 29/199,055

Reservedele / reparationer

Reservedele kan købes hos autoriserede Black & Decker serviceværksteder, som giver forslag til omkostninger og reparerer vore produkter. Oversigt over vore autoriserede værksteder findes på internettet på vor hjemmeside

www.blackanddecker.dk samt **www.2helpU.com**

Garanti

Black & Decker garanterer, at produktet er fri for materielle skader og/eller fabrikationsfejl ved levering til kunden. Garantien er et tillæg til konsumentens lovlige rettigheder og påvirker ikke disse. Garantien gælder indenfor medlemsstaterne af den Europæiske Union og i det Europæiske Frihandelsområde.

Hvis et Black & Decker produkt går i stykker på grund af materiel skade og/eller fabrikationsfejl eller på anden måde ikke fungerer i overensstemmelse med specifikationen, inden for 24 måneder fra købsdatoen, påtager Black & Decker sig at reparere eller ombytte produktet med mindst muligt besvær for kunden.

Garantien gælder ikke for fejl og mangler, der er sket i forbindelse med:

- ◆ normal slitage
- ◆ uheldige følger efter unormal anvendelse af værktøjet
- ◆ overbelastning, hærværk eller overdrevent intensivt brug af værktøjet
- ◆ ulykkeshændelse

Garantien gælder ikke hvis reparationer er udført af nogen anden end et autoriseret Black & Decker værksted.

For at udnytte garantien skal produktet og købskvitteringen indleveres til forhandleren eller til et autoriseret værksted, senest 2 måneder efter at fejlen opdages. For information om nærmeste autoriserede værksted: kontakt det lokale Black & Decker kontor på den adresse som er opgivet i brugsanvisningen. Liste over alle autoriserede Black & Decker serviceværksteder samt servicevilkår er tilgængelig på internettet, på adressen **www.2helpU.com**

Gå venligst ind på vores website **www.blackanddecker.dk** for at registrere dit nye produkt og for at blive holdt ajour om nye produkter og specialtilbud. Der findes yderligere oplysninger om mærket Black & Decker og vores produktsortiment på adressen **www.blackanddecker.dk**

Käyttötarkoitus

Black & Deckerin pölynimuri on suunniteltu kuivaan imurointiin. Kone on tarkoitettu ainoastaan kotikäyttöön.

Turvallisuusohjeet

- ◆ **Varoitus!** Sähkötyökaluja käytettäessä on aina noudatettava mm. seuraavia turvallisuusohjeita, jotta tulipalojen, sähköiskujen, henkilövahinkojen ja materiaalivaurioiden riski olisi mahdollisimman pieni.
- ◆ Lue käyttöohje huolellisesti ennen koneen käyttöönottoa.
- ◆ Koneen käyttötarkoitus kuvataan tässä käyttöohjeessa. Käytä konetta ainoastaan sellaiseen työhön, johon se on tarkoitettu, ja käytä vain käyttöohjeessa ja tuotekuvastossa suositeltuja tarvikkeita ja lisälaitteita. Ohjeesta poikkeava käyttö voi aiheuttaa onnettomuuden.
- ◆ Säilytä käyttöohje kaikkien koneen käyttäjien ulottuvilla.

Koneen käyttäminen

- ◆ Varmistu, että kone on sammutettu ennen kuin kytket sen irti verkkovirrasta tai verkkovirtaan.
- ◆ Ole aina huolellinen käyttäessäsi konetta.
- ◆ Älä käytä konetta ulkona.
- ◆ Älä koskaan irrota pistoketta pistorasiasta vetämällä johdosta. Suojaa johto kuumuudelta, öljyltä ja teräviltä reunoilta.
- ◆ Jos virtajohto vahingoittuu käytön aikana, kytke se välittömästi irti virtalähteestä. Älä kosketa johtoa ennen kuin olet irrottanut sen virtalähteestä.
- ◆ Jos et käytä laitetta, kytke se irti virtalähteestä ennen osien asentamista tai irrottamista ja ennen puhdistusta.

Muiden turvallisuus

- ◆ Älä anna lasten tai kenenkään, joka ei ole lukenut tätä käyttöohjetta tai tutustunut koneeseen, käyttää konetta.
- ◆ Älä anna lasten tai eläinten tulla lähelle työskentelyaluetta tai koskea koneeseen tai sähköjohtoon. Jos konetta käytetään lasten läheisyydessä, on välttämätöntä olla tarkkaavainen.

Käytön jälkeen

- ◆ Sammuta kone ja vedä pistoke irti pistorasiasta, ennen kuin jätät laitteen ilman valvontaa ja ennen sen osien vaihtamista, puhdistamista tai tarkastamista.
- ◆ Säilytä konetta kuivassa paikassa, kun se ei ole käytössä. Varmista, että lapset eivät pääse käsiksi koneisiin.

Tarkastus ja korjaukset

- ◆ Tarkista ennen käyttöä, ettei koneessa ole vaurioita tai viallisia osia. Tarkista, ettei koneessa ole murtuneita osia, vaurioituneita kytkimiä tai muita seikkoja, jotka saattavat vaikuttaa koneen toimintaan.
- ◆ Älä käytä konetta, jos jokin sen osista on viallinen.

- ◆ Viallinen osa tulee korjata tai vaihtaa valtuutetussa Black & Deckerin huoltoliikkeessä.
- ◆ Tarkista sähköjohto ennen käyttöä vaurioiden, vanhenemisen tai kulumien varalta.
- ◆ Älä käytä konetta, jos virtajohto tai pistoke ovat vahingoittuneet tai vialliset.
- ◆ Jos sähköjohto on vaurioitunut tai viallinen, se voidaan korjata vain valtuutetussa Black & Deckerin huoltoliikkeessä vaaratilanteiden välttämiseksi. Älä katkaise virtajohtoa äläkä yritä korjata sitä itse.
- ◆ Älä koskaan yritä irrottaa tai vaihtaa sellaisia osia, joita ei ole määritelty tässä oppaassa.

Kaksoiseristys



Tämä kone on kaksoiseristetty, joten erillistä maadoitusta ei tarvita. Tarkista aina, että virtalähde vastaa arvokilvessä ilmoitettua jännitettä.

Lisäturvaohjeet pölynimureille

- ◆ Älä käytä konetta nesteiden imuroimiseen.
- ◆ Älä imuroi materiaaleja, jotka saattavat syttyä palamaan.
- ◆ Älä käytä konetta veden lähellä. Älä upota konetta veteen.
- ◆ Pidä moottorin ilmavirta pois silmien ja kasvojen alueelta.
- ◆ Työskentele turvallisen etäisyyden päässä lapsista ja eläimistä.
- ◆ Työskentele aina alhaalta ylöspäin portaissa. Pidä kone ainakin yhtä porrasta alempana, kun työskentelet.
- ◆ Älä käytä konetta ilman, että putkeen on asennettu imupää tai muu sopiva tarvike.
- ◆ Käytä vain Black & Deckerin tarvikkeita.

Yleiskuvaus

Tällä koneella on kaikki seuraavat ominaisuudet tai osa seuraavista ominaisuuksista (kuva A).

1. Virrankatkaisija
2. Nopeudensäädin (VB1630/VB1740/VB1820/VB1850)
3. Johdon kelauspainike
4. Kädensija
5. Kansi
6. Letku
7. Ilmavirtauksen säätökytkin
8. Jatkoputki
9. Imupää
10. Pyörät

Lisäksi tämä kone on varustettu joillakin tai kaikilla seuraavista lisätarvikkeista (kuva B):

11. Rakosuulake
12. Harja
13. Imupää parkettilattialle (VB1630/VB1740/VB1850)

Parkettilattian suulake ei sisälly kaikkiin malleihin. Tätä lisävarustetta myyvät Black & Decker –tuotteiden jälleenmyyjät / palvelukeskukset (tuotenro VW70).

Kokoaminen

Pölypussin asennus (kuvat C & D)

Varoitus! Laita pölypussi paikalleen ennen ensimmäistä käyttökertaa.

- ◆ Avaa kansi (5) kuvan osoittamalla tavalla (kuva C).
- ◆ Aseta pölypussi (15) pölypussin pidikkeeseen (16).
- ◆ Kohdistu pölypussin kaulus (17) aukon (18) (kuva D) kanssa.
- ◆ Varmista, että syöttöaukko menee pölypussin kauluksen sisään.
- ◆ Sulje kansi.

Letkun kytkeminen (kuva E)

- ◆ Työnnä letkuliitin (18) koneen aukkoon (19).
- ◆ Työnnä letkua sisään, kunnes vapautuspainikkeet (20) napsahtavat paikoilleen.
- ◆ Irrota letku painamalla vapautuspainikkeita ja vetämällä letku ulos.

Jatkoputken asennus (kuva F)

- ◆ Paina lukituspainiketta (21) ja liu'uta letkun suutin (22) putkeen (8), kunnes se napsahtaa paikalleen.
- ◆ Putki irrotetaan koneesta painamalla lukituspainiketta ja vetämällä letku ulos putkesta.

Imupään asentaminen (kuva G)

Imupään (9) avulla voidaan imuroida mattoa ja kovia pintoja (esim. laminaatti- ja laattalattia).

- ◆ Paina lukituspainiketta (23) ja liu'uta putki (8) päähän (9), kunnes putki napsahtaa paikalleen.
- ◆ Pää irrotetaan painamalla lukituspainiketta ja vetämällä putki ulos päästä.

VB1630/VB1740/VB1850 – Parketti-imupään asentaminen (kuva G)

Parketti-imupään (13) avulla voidaan imuroida puulattioita ja kiillotettuja pintoja.

- ◆ Paina lukituspainiketta (23) ja liu'uta putkea (8) päähän, kunnes putki napsahtaa paikalleen.
- ◆ Pää irrotetaan painamalla lukituspainiketta ja vetämällä putki ulos päästä.

Tarvikkeiden asentaminen (kuvat G & H)

Rakosuulakkeen (11) avulla voit imuroida kapeita ja vaikeasti tavoitettavia paikkoja. Harjasuulakkeen (12) avulla voidaan imuroida huonekaluja, sälekaihtimia, verhoja, ikkunoita ja portaita.

Tarvikkeet voidaan asentaa sekä letkuun (6) että putkeen (8). Kun tarvikkeet eivät ole käytössä, tarvikkeet voidaan säilyttää tarviketelineessä (24).

- ◆ Irrota tarvike telineestä (kuva H).
- ◆ Paina lukituspainiketta (21 tai 23) ja liu'uta tarvike letkun suuttimeen (22) tai putkeen (8) (kuva G).
- ◆ Irrota tarvike painamalla lukituspainiketta (21 tai 23) ja vedä tarvike pois.

Käyttö

Johdon kelaaminen auki ja sisään (kuva A)

Johdon kelauspainiketta (3) voidaan käyttää kädellä tai jalalla.

- ◆ Vedä riittävä määrä johtoa ulos koneen takaa ennen käyttöä.
- ◆ Kela johto takaisin sisään käytön jälkeen. Ohjaa johtoa käsin, ettei se heilahda takaisin. Varmista, että pistotulppa asettuu oikein.

Putken pituuden säätö (kuva I)

Jatkoputkea (8) voidaan säätää 21 askeleessa.

- ◆ Paina säätönuppia (25) ja liu'uta putkea haluttuun pituuteen.
- ◆ Vapauta nuppi.

Imupään säätäminen (kuva G)

- ◆ Kun imuroit mattoja, kytke lattiapinnan valitsin (26) yläasentoon.
- ◆ Kun imuroit laminaattilattiaa, laattalattiaa jne., kytke lattiapinnan valitsin ala-asentoon.

Käynnistys ja pysäytys (kuva A)

Virtakytkintä (1) voidaan käyttää kädellä tai jalalla.

- ◆ Kytke kone päälle painamalla virtakytkintä (1).
- ◆ Kytke kone pois päältä painamalla uudestaan virtakytkintä.

VB1630/VB1740/VB1820/VB1850 – Imutehon asettaminen (kuva A)

Imuteho voidaan asettaa tarkasti nopeuden säätimellä (2).

- ◆ Aseta nopeuden säädin (2) haluttuun asetukseen.
- ◆ Valitse nopea nopeusasetus, kun imuroit kovia pintoja (esim. lattiaa).
- ◆ Kun imuroit pehmeitä pintoja (esim. verhoilukankaita), valitse pieni nopeusasetus.

Ilmavirtauksen säätäminen (kuva A)

- ◆ Säädä ilmavirtausta haluamallasi tavalla siirtämällä ilmavirtauksen säädintä (7).

Imuroiminen

- ◆ Kun käytät konetta, varmista, ettei letku jää jumiin, mene kiertoon tai tukkeudu.
- ◆ Jos kone ylikuumenee, automaattinen virrankatkaisutoiminto pysäyttää koneen toiminnan.

- ◆ Jos koneen toiminta lakkaa, irrota virtajohto ja anna koneen jäähtyä 2 - 3 tuntia.

Vinkkejä parhaimman tuloksen saamiseksi

- ◆ Kun työskentelet ahtaissa tiloissa, irrota tarvikelin väliaikaisesti putkesta, jotta työskentelylle tulee lisää tilaa.
- ◆ Kun imuroit portaita, aloita alhaalta ja etene ylöspäin. Sijoita kone lattialle ja imuroi portaat puoliväliin asti. Kanna laite sitten vakaaseen kohtaan, joka on ainakin yhden askelman työpistettä alempana ja imuroi sitten portaiden yläpuoli.

Koneen kantaminen (kuva J)

Konetta voidaan kantaa kädensijasta (4) käytön aikana.

- ◆ Kallista kädensija oikeaan asentoon kuvan osoittamalla tavalla.

Imupään pysäköiminen väliaikaisesti (kuva K)

- ◆ Käytä pysäköintiasentoa (34), kun haluat pysäköidä imupään väliaikaisesti.

Koneen varastointi (kuva L)

Varoitus! Kun varastoit koneen, kytke kone pois päältä ja irrota sen virtajohto.

- ◆ Varmista, että virtajohto on kelattu kokonaan sisään.
- ◆ Sijoita kone pystyasentoon.
- ◆ Pysäköi putki asettamalla putken ja pään harjanteet laitteessa oleviin uriin kuvan osoittamalla tavalla. Lukituslaite (32) kiinnittyy automaattisesti.
- ◆ Säilytä konetta kuivassa paikassa. Konetta voi kantaa siinä olevasta kahvasta (33).
- ◆ Kun haluat ottaa putken irti koneesta käyttöä varten, paina yhtä lukituspainikkeista ja nosta putki ja pää pois pysäköintiurista.

Huolto

Black & Deckerin kone on suunniteltu toimimaan mahdollisimman pitkän aikaa mahdollisimman vähällä huollolla. Oikealla huollolla ja säännöllisellä puhdistuksella kone säilyttää suorituskykynsä.

Varoitus! Ennen huoltoa ja puhdistusta tulee koneen olla pois päältä ja irti virtalähteestä.

- ◆ Puhdista koneen ilma-aukot säännöllisesti pehmeällä harjalla tai kuivalla rievulla.
- ◆ Puhdista työkalun kuori säännöllisesti kostealla siivousliinalla. Älä koskaan käytä puhdistamiseen liuotainaineita tai syövyttäviä puhdistusaineita.

Pölypussin vaihto (kuvat C & D)

Pölypussi on vaihdettava, kun punainen pussin täyttymisilmaisin (14) on näkyvässä, kun kone toimii suurimmalla nopeudella ja pää nostetaan ylös pinnalta. Uusia pölypusseja myyvät Black & Decker –tuotteiden jälleenmyyjät (tuotenro VBP50).

- ◆ Avaa kansi (5) kuvan osoittamalla tavalla (kuva C).
- ◆ Vedä pölypussin pidikettä (16) hieman taakse ja irrota pölypussin kaulus (17) tuloaukosta (18) (kuva D).
- ◆ Irrota vanha pölypussi (15) pölypussin pidikkeestä.
- ◆ Asenna uusi pölypussi pölypussin pidikkeeseen.
- ◆ Kohdista pölypussin kaulus (17) tuloaukon kanssa (18).
- ◆ Varmista, että syöttöaukko menee pölypussin kauluksen sisään.
- ◆ Sulje kansi.

Puhdistus

Varoitus! Ennen huoltoa ja puhdistusta kone pitää sammuttaa ja kytkeä irti virtalähteestä.

- ◆ Pyyhi laite säännöllisesti kostealla rievulla. Älä koskaan käytä puhdistamiseen liuotainaineita tai syövyttäviä puhdistusaineita. Älä upota konetta veteen.

Moottorin suodattimen puhdistus (kuva C, D & M)

Moottorin suodatin pitää moottorikoteloon pääsevän pölymäärän mahdollisimman pienenä. Suodattimia voidaan käyttää kerta toisensa jälkeen; siksi ne on puhdistettava säännöllisesti.

- ◆ Avaa kansi (5) kuvan osoittamalla tavalla (kuva C).
- ◆ Poista pölypussi (kuva D).
- ◆ Vedä suodatin (27) ulos suodatinpidikkeestä (28) (kuva M).
- ◆ Harjaa kaikki irtopöly pois suodattimista.
- ◆ Vaihda suodatin.
- ◆ Asenna uusi pölypussi (kuva D).
- ◆ Sulje kansi (kuva C).

Suodatinten vaihtaminen (kuvat C, D & M - O)

Moottorin tuloilman ja poistoilman suodattimet tulee vaihtaa 6 - 9 kuukauden välein tai jos ne ovat kuluneet tai vaurioituneet. Molemmat suodattimet on vaihdettava samalla kertaa. Uusia suodattimia myyvät Black & Decker –tuotteiden jälleenmyyjät (tuotenro VBF20).

Moottorin suodattimen vaihto (kuvat C, D & M)

- ◆ Vaihda suodatin (27) yllä olevan kuvauksen mukaisesti.

Poistoilman suodattimen vaihtaminen (kuvat N & O)

- ◆ Avaa kansi (29).
- ◆ Ota vanhat suodattimet (30) pois.
- ◆ Asenna uudet suodattimet kuvan osoittamalla tavalla.
- ◆ Sulje kansi.

VB1850 - HEPA-suodattimen vaihtaminen

HEPA-suodatin pitää moottorikotelosta tulevan pölymäärän mahdollisimman pienenä. Suodattimet täytyy vaihtaa, jos ne ovat kuluneet tai vaurioituneet. Uusia suodattimia myyvät Black & Decker –tuotteiden jälleenmyyjät (tuotenro VBF30).

- ◆ Vaihda suodatin (31) yllä olevan kuvauksen mukaisesti.

Ympäristö

Kun koneesi on käytetty loppuun, älä heitä sitä tavallisten roskien mukana pois, vaan vie se paikkakuntasi kierrätyskeskukseen tai jätä valtuutettuun Black & Deckerin huoltoliikkeeseen.

Tekniset tiedot

		VB1600	VB1710	VB1820
		VB1630	VB1740	VB1850
Jännite	V	230	230	230
Ottoteho	W	1.600	1.700	1.800
Kaapelin pituus	m	6	6	6
Pussin koko	l	3,5	3,5	3,5
Paino	kg	6	6	6

EU:n yhdenmukaisuusilmoitus

VB1600/VB1630/VB1710/VB1740/VB1820/VB1850

Black & Decker vakuuttaa näiden tuotteiden olevan seuraavien standardien vaatimusten mukaisia:

89/336/EEC, 73/23/EEC, EN 55014, EN 61000, EN 60335

Colin Wills
Director of Engineering
BDCI, 4/F, 2 Dai Wang Street
Tai Po Industrial Estate
Tai Po NT, Hong Kong
1-12-2003

Isobritannialaisen patenttihakemuksen numerot: 0314932.5

Isobritannialaisen hakemuksen numero 3 013 969

Australialaisen hakemuksen numero 484/04

Euroopan yhteisön hakemuksen numero 131 669

Kiinalaisen hakemuksen numero 200430002049

Yhdysvaltalaisen hakemuksen numero 29/199,055

Korjaukset / varaosat

Mikäli koneeseen tulee vikaa, jätä se aina Black & Deckerin valtuuttamaan huoltoliikkeeseen korjattavaksi (tiedot löytyvät uusimmasta tuoteluettelostamme tai ottamalla yhteyttä Black & Decker Oy:hyn). Varaosia myyvät valtuutetut Black & Deckerin huoltoliikkeet, ja heiltä voi myös pyytää kustannusarvion koneen korjauksesta.

Tiedot valtuutetuista huoltoliikkeistä löytyvät myös internetistä osoitteesta www.2helpU.com sekä kotisivuiltamme www.blackanddecker.fi

Takuu

Black & Decker Oy takaa, ettei koneessa ollut materiaali- ja/ tai valmistusvikaa silloin, kun se toimitettiin ostajalle.

Takuu on lisäys kuluttajan laillisiin oikeuksiin eikä vaikuta niihin. Takuu on voimassa Euroopan Unionin jäsenmaissa ja Euroopan vapaakauppa-alueella (EFTA).

Mikäli Black & Decker -kone hajoaa materiaali- ja/ tai valmistusvirheen tai teknisten tietojen epätarkkuuden vuoksi 24 kk:n kuluessa ostopäivästä, Black & Decker korjaa koneen ilman kustannuksia ostajalle tai vaihtaa sen uuteen Black & Decker Oy:n valinnan mukaan.

Takuu ei kata vikoja, jotka johtuvat koneen

- ◆ normaalista kulumisesta
- ◆ ylikuormituksesta, virheellisestä käytöstä tai hoidosta
- ◆ vahingoittamisesta vieraalla esineellä tai aineella tai onnettomuustapauksessa.

Takuu ei ole voimassa, mikäli konetta on korjannut joku muu kuin Black & Deckerin valtuuttama huoltoliike.

Edellytyksenä takuun saamiselle on, että ostaja jättää koneen ja ostokuitin jälleenmyyjälle tai valtuutetulle huoltoliikkeelle viimeistään 2 kuukauden kuluessa vian ilmenemisestä.

Tiedot valtuutetuista huoltoliikkeistä saa ottamalla yhteyttä Black & Decker Oy:hyn sekä internetistä osoitteesta www.2helpU.com, jossa on myös takuehdot.

Voit vierailla verkkosivullamme www.blackanddecker.fi rekisteröidäksesi uuden Black & Decker-tuotteesi ja saadaksesi tietoa uusista tuotteista ja erikoistarjouksista. Saat lisätietoja Black & Deckerin tavaramerkistä ja tuotevalikoimastamme osoitteesta www.blackanddecker.fi

Ενδεδειγμένη χρήση

Αυτή η ηλεκτρική σκούπα της Black & Decker έχει σχεδιαστεί για το σκούπισμα ξηρών ουσιών.

Αυτό το προϊόν προορίζεται μόνο για οικιακή χρήση.

Οδηγίες ασφαλείας

- ◆ **Προειδοποίηση!** Όταν χρησιμοποιείτε ηλεκτρικά μηχανήματα, θα πρέπει να τηρείτε πάντα τις βασικές οδηγίες ασφαλείας, συμπεριλαμβανομένων και των παρακάτω, για να περιορίσετε τον κίνδυνο πυρκαγιάς, ηλεκτροπληξίας, σωματικών βλαβών και υλικών ζημιών.
- ◆ Πριν χρησιμοποιήσετε τη συσκευή, διαβάστε προσεκτικά ολόκληρο το εγχειρίδιο.
- ◆ Η ενδεδειγμένη χρήση περιγράφεται σε αυτό το εγχειρίδιο. Η χρήση οποιοδήποτε αξεσουάρ ή προσθήκης ή η απόδοση οποιασδήποτε λειτουργίας με αυτή τη συσκευή, εκτός αυτών που προτείνονται σε αυτό το εγχειρίδιο οδηγιών, εγκυμονεί κίνδυνο τραυματισμού.
- ◆ Φυλάξτε το εγχειρίδιο αυτό για να μπορείτε να ανατρέξετε σε αυτό στο μέλλον.

Χρήση της συσκευής σας

- ◆ Βεβαιωθείτε ότι η συσκευή είναι εκτός λειτουργίας πριν τη συνδέσετε ή την αποσυνδέσετε από την πρίζα.
- ◆ Προσέχετε πάντα όταν χρησιμοποιείτε τη συσκευή.
- ◆ Μη χρησιμοποιείτε τη συσκευή σε εξωτερικούς χώρους.
- ◆ Μην τραβήξετε ποτέ το καλώδιο ηλεκτρικού ρεύματος για να αποσυνδέσετε το φις από την πρίζα. Διατηρείτε το καλώδιο τροφοδοσίας σε απόσταση από πηγές θερμότητας, λάδια και από αιχμηρά άκρα.
- ◆ Εάν το καλώδιο τροφοδοσίας καταστραφεί κατά τη χρήση, αποσυνδέστε τη συσκευή αμέσως από την πρίζα. Μην αγγίζετε το καλώδιο τροφοδοσίας πριν αποσυνδέσετε το φις από την πρίζα.
- ◆ Να αποσυνδέετε τη συσκευή από την πρίζα όταν δεν χρησιμοποιείται, πριν τοποθετήσετε ή αφαιρέσετε εξαρτήματα και πριν την καθαρίσετε.

Ασφάλεια τρίτων

- ◆ Μην επιτρέπετε σε μικρά παιδιά ή σε άτομα που δεν έχουν διαβάσει το εγχειρίδιο οδηγιών να χρησιμοποιήσουν τη συσκευή.
- ◆ Μην επιτρέπετε σε παιδιά ή ζώα να πλησιάζουν στο χώρο εργασίας ή να αγγίζουν τη συσκευή ή το καλώδιο τροφοδοσίας της. Όταν χρησιμοποιείτε τη συσκευή κοντά σε παιδιά, πρέπει να τα επιτηρείτε στενά.

Μετά τη χρήση

- ◆ Πριν αφήσετε τη συσκευή χωρίς επιτήρηση και πριν αλλάξετε, καθαρίσετε ή ελέγξετε οποιαδήποτε εξαρτήματά της, πρέπει πρώτα να τη θέσετε εκτός λειτουργίας και να αποσυνδέσετε το φις από την πρίζα.

- ◆ Όταν δεν χρησιμοποιείται, η συσκευή θα πρέπει να αποθηκεύεται σε ξηρό χώρο. Τα παιδιά δεν πρέπει να έχουν πρόσβαση στις αποθηκευμένες συσκευές.

Ελεγχος και επισκευές

- ◆ Πριν τη χρήση, ελέγξτε τη συσκευή για τυχόν φθαρμένα ή ελαττωματικά εξαρτήματα. Ελέγξτε για εξαρτήματα που πιθανόν να έχουν σπάσει, για διακόπτες που πιθανόν να έχουν πάθει ζημιά και γενικά κάθε είδους συνθήκες που θα μπορούσαν ενδεχομένως να επηρεάσουν τη λειτουργία της συσκευής.
- ◆ Μη χρησιμοποιείτε τη συσκευή εάν κάποιο εξάρτημά της έχει πάθει ζημιά ή παρουσιάζει ελάττωμα.
- ◆ Ζητήστε από εξουσιοδοτημένο συνεργείο σέρβις την επισκευή ή την αντικατάσταση όλων των φθαρμένων ή ελαττωματικών εξαρτημάτων.
- ◆ Πριν από τη χρήση, ελέγξτε προσεκτικά το καλώδιο τροφοδοσίας για σημάδια ζημιάς, παλαιώσης και φθοράς.
- ◆ Μη χρησιμοποιείτε τη συσκευή αν το καλώδιο τροφοδοσίας της ή το φις έχει πάθει ζημιά ή παρουσιάζει ελάττωμα.
- ◆ Εάν το καλώδιο τροφοδοσίας ή το φις είναι κατεστραμμένο ή ελαττωματικό, πρέπει να επισκευαστεί από εξουσιοδοτημένο συνεργείο σέρβις ώστε να μην προκύψει κίνδυνος. Μην κόβετε το καλώδιο τροφοδοσίας και μην προσπαθείτε να το επισκευάσετε μόνοι σας.
- ◆ Μην επιχειρήσετε ποτέ να αφαιρέσετε ή να αντικαταστήσετε εξαρτήματα εκτός αυτών που προσδιορίζονται σε αυτό το εγχειρίδιο.

Διπλή μόνωση



Αυτή η συσκευή φέρει διπλή μόνωση, επομένως δεν απαιτείται σύρμα γείωσης. Ελέγχετε πάντοτε αν η τάση τροφοδοσίας αντιστοιχεί σε αυτήν που αναγράφεται στην πινακίδα στοιχείων του εργαλείου.

Συμπληρωματικές οδηγίες ασφαλείας για ηλεκτρικές σκούπες

- ◆ Μη χρησιμοποιείτε τη συσκευή για τη συλλογή υγρών.
- ◆ Μη χρησιμοποιείτε τη συσκευή για τη συλλογή υλικών τα οποία υπάρχει κίνδυνος να αναφλεγούν.
- ◆ Μη χρησιμοποιείτε τη συσκευή κοντά σε νερό. Μη βυθίζετε τη συσκευή σε νερό.
- ◆ Φροντίστε ώστε το ρεύμα αναρρόφησης του μοτέρ να είναι μακριά από τα μάτια και το πρόσωπό σας.
- ◆ Φροντίστε τα παιδιά και τα ζώα να βρίσκονται σε απόσταση ασφαλείας όταν χρησιμοποιείτε τη συσκευή αυτή.
- ◆ Να εργάζεστε πάντα από κάτω προς τα πάνω όταν χρησιμοποιείτε τη συσκευή σε σκάλες και να διατηρείτε τη σκούπα τουλάχιστον ένα σκαλοπάτι χαμηλότερα από τη θέση εργασίας σας.
- ◆ Μη χρησιμοποιείτε τη συσκευή χωρίς να έχει τοποθετηθεί στο σωλήνα το πέλμα αναρρόφησης ή άλλο κατάλληλο εξάρτημα.

- ◆ Να χρησιμοποιείτε μόνο εξαρτήματα Black & Decker.

Χαρακτηριστικά

Η συσκευή περιλαμβάνει όλα ή ορισμένα από τα ακόλουθα χαρακτηριστικά (εικ. Α).

1. Διακόπτης on/off
2. Διακόπτης ελέγχου ταχύτητας (VB1630/VB1740/VB1820/VB1850)
3. Κουμπί επανατύλιξης καλωδίου
4. Λαβή
5. Κάλυμμα
6. Εύκαμπτος σωλήνας
7. Διακόπτης ελέγχου παροχής αέρα
8. Σωλήνας προέκτασης
9. Πέλμα αναρρόφησης
10. Τροχοί

Επιπλέον, η συσκευή αυτή διαθέτει κάποια ή όλα από τα ακόλουθα εξαρτήματα (εικ. Β):

11. Εργαλείο καθαρισμού σχισμών
12. Βούρτσα
13. Πέλμα για ξύλινα δάπεδα (VB1630/VB1740/VB1850)

Το πέλμα για ξύλινα δάπεδα δεν συμπεριλαμβάνεται σε όλα τα μοντέλα. Αυτό το εξάρτημα είναι διαθέσιμο από τους αντιπροσώπους Black & Decker/ κέντρα επισκευών (αρ. κατ. VW70).

Συναρμολόγηση

Τοποθέτηση της σακούλας συλλογής σκόνης (εικ. C & D)

Προειδοποίηση! Πριν χρησιμοποιήσετε τη σκούπα για πρώτη φορά, φροντίστε να έχετε τοποθετήσει μια σακούλα συλλογής σκόνης.

- ◆ Ανοίξτε το κάλυμμα (5) όπως φαίνεται στην εικόνα (εικ. C).
- ◆ Τοποθετήστε μια σακούλα συλλογής σκόνης (15) στη θήκη για τη σακούλα (16).
- ◆ Ευθυγραμμίστε το δακτύλιο της σακούλας (17) με την είσοδο (18) (εικ. D).
- ◆ Φροντίστε ώστε η είσοδος να προεξέχει μέσα στο δακτύλιο της σακούλας.
- ◆ Κλείστε το κάλυμμα.

Σύνδεση του εύκαμπτου σωλήνα (εικ. E)

- ◆ Εισάγετε το συνδετήρα του εύκαμπτου σωλήνα (18) στην είσοδο (19) της συσκευής.
- ◆ Σύρετε τον εύκαμπτο σωλήνα περισσότερο μέχρι να ασφαλίσει τα μπουτόν απασφάλισης (20) στη θέση τους.
- ◆ Για να αποσυνδέσετε τον εύκαμπτο σωλήνα, πατήστε τα μπουτόν απασφάλισης και τραβήξτε το σωλήνα προς τα έξω.

Τοποθέτηση του σωλήνα προέκτασης (εικ. F)

- ◆ Πατήστε το μπουτόν ασφάλισης (21) και σύρετε το ακροφύσιο του εύκαμπτου σωλήνα (22) μέσα στο μεταλλικό σωλήνα (8) μέχρι να ασφαλίσει στη θέση του κάνοντας “κλικ”.
- ◆ Για να βγάλετε το μεταλλικό σωλήνα, πατήστε το μπουτόν ασφάλισης και τραβήξτε τον εύκαμπτο σωλήνα ώστε να βγει από το μεταλλικό σωλήνα.

Τοποθέτηση του πέλματος αναρρόφησης (εικ. G)

Το πέλμα αναρρόφησης (9) επιτρέπει το σκούπισμα χαλιών και σκληρών επιφανειών (π.χ. λαμινέ και πλακάκια).

- ◆ Πατήστε το μπουτόν ασφάλισης (23) και σύρετε το μεταλλικό σωλήνα (8) μέσα στο πέλμα (9) μέχρι να ασφαλίσει στη θέση του κάνοντας “κλικ”.
- ◆ Για να βγάλετε το πέλμα, πατήστε το μπουτόν ασφάλισης και τραβήξτε το σωλήνα ώστε να βγει από το πέλμα.

VB1630/VB1740/VB1850 – Τοποθέτηση του πέλματος για ξύλινα δάπεδα (εικ. G)

Το πέλμα για ξύλινα δάπεδα (13) επιτρέπει το σκούπισμα ξύλινων και λουστραρισμένων επιφανειών.

- ◆ Πατήστε το μπουτόν ασφάλισης (23) και σύρετε το μεταλλικό σωλήνα (8) μέσα στο πέλμα μέχρι να ασφαλίσει στη θέση του κάνοντας “κλικ”.
- ◆ Για να βγάλετε το πέλμα, πατήστε το μπουτόν ασφάλισης και τραβήξτε το σωλήνα ώστε να βγει από το πέλμα.

Τοποθέτηση εξαρτημάτων (εικ. G & H)

Το εξάρτημα καθαρισμού σχισμών (11) επιτρέπει το σκούπισμα σε στενά σημεία και σε σημεία όπου δεν είναι εύκολη η πρόσβαση. Η βούρτσα (12) επιτρέπει το σκούπισμα πάνω σε έπιπλα, περσίδες, κουρτίνες, παράθυρα και σκάλες. Τα εξαρτήματα μπορούν να τοποθετηθούν και στον εύκαμπτο (6) και στο μεταλλικό (8) σωλήνα. Όταν δεν χρησιμοποιούνται, τα εξαρτήματα μπορούν να φυλάσσονται στη θήκη για τα εξαρτήματα (24).

- ◆ Βγάλτε το εξάρτημα από τη θήκη (εικ. H).
- ◆ Πατήστε το μπουτόν ασφάλισης (21 ή 23) και σύρετε το εξάρτημα πάνω στο ακροφύσιο του εύκαμπτου σωλήνα (22) ή του μεταλλικού σωλήνα (8) (εικ. G).
- ◆ Για να αφαιρέσετε κάποιο εξάρτημα, πατήστε το μπουτόν ασφάλισης (21 ή 23) και τραβήξτε το εξάρτημα.

Χρήση

Ξετύλιγμα και επανατύλιγμα του καλωδίου (εικ. A)

Το κουμπί επανατύλιξης του καλωδίου (3) λειτουργεί και με το χέρι και με το πόδι.

- ◆ Πριν χρησιμοποιήσετε τη σκούπα, τραβήξτε καλώδιο ικανοποιητικού μήκους από το πίσω μέρος της συσκευής.

- ◆ Μετά τη χρήση, πατήστε το κουμπί επανατύλιξης του καλωδίου για να φυλαχτεί το καλώδιο στη θέση του. Οδηγήστε το καλώδιο με το χέρι για να βεβαιωθείτε ότι δεν θα πεταχτεί πίσω. Βεβαιωθείτε ότι το φως βρίσκεται στη σωστή θέση.

Ρύθμιση του μήκους του μεταλλικού σωλήνα (εικ. I)

Το μήκος του σωλήνα προέκτασης (8) μπορεί να ρυθμιστεί σε 21 βήματα.

- ◆ Πατήστε το κουμπί ρύθμισης (25) και σύρετε το σωλήνα στο μήκος που επιθυμείτε.
- ◆ Αφήστε το κουμπί.

Ρύθμιση το πέλμα αναρρόφησης (εικ. G)

- ◆ Για το σκούπισμα χαλιών, τοποθετήστε τον επιλογέα επιφάνειας δαπέδου (26) στην πάνω θέση.
- ◆ Για σκούπισμα σε πλακάκια, τοποθετήστε τον επιλογέα επιφάνειας δαπέδου στην κάτω θέση.

Θέση εντός και εκτός λειτουργίας (εικ. A)

Ο διακόπτης λειτουργίας on/off (1) λειτουργεί και με το χέρι και με το πόδι.

- ◆ Για να θέσετε τη συσκευή σε λειτουργία, πατήστε το διακόπτη on/off (1).
- ◆ Για να θέσετε τη συσκευή εκτός λειτουργίας, πατήστε ξανά το διακόπτη on/off.

VB1630/VB1740/VB1820/VB1850 – Ρύθμιση της ισχύος αναρρόφησης (εικ. A)

Ο διακόπτης ελέγχου ταχύτητας (2) επιτρέπει την ακριβή ρύθμιση της ισχύος αναρρόφησης.

- ◆ Τοποθετήστε το διακόπτη ελέγχου ταχύτητας (2) στη θέση που επιθυμείτε.
- ◆ Για σκούπισμα σε σκληρές επιφάνειες (π.χ. δάπεδα), επιλέξτε υψηλή τιμή ταχύτητας.
- ◆ Για σκούπισμα σε μαλακές επιφάνειες (π.χ. ταπετσαρίες), επιλέξτε χαμηλή τιμή ταχύτητας.

Ρύθμιση της παροχής αέρα (εικ. A)

- ◆ Μετακινήστε το διακόπτη ελέγχου της παροχής αέρα (7) για να ρυθμίσετε την παροχή αέρα όπως επιθυμείτε.

Σκούπισμα

- ◆ Όταν λειτουργείτε τη συσκευή, φροντίστε να μην παγιδεύετε, να μη στρίβετε και να μη μπλέκετε τον εύκαμπτο σωλήνα.
- ◆ Σε περίπτωση υπερθέρμανσης, ενεργοποιείται μια διάταξη διακοπής και η λειτουργία της συσκευής διακόπτεται αυτόματα.
- ◆ Αν διακοπεί η λειτουργία της συσκευής, αποσυνδέστε τη συσκευή από την πρίζα και αφήστε τη να κρυώσει για 2 - 3 ώρες.

Συμβουλές για άριστη χρήση

- ◆ Όταν σκουπίζετε σε στενούς χώρους, βγάλτε προσωρινά τη θήκη των εξαρτημάτων από το μεταλλικό σωλήνα για να βελτιώσετε την κατάσταση.
- ◆ Όταν σκουπίζετε σκάλες, να ξεκινάτε πάντα από κάτω και να συνεχίζετε ανεβαίνοντας. Τοποθετήστε τη συσκευή στο δάπεδο και σκουπίστε τη σκάλα μέχρι τη μέση. Επειτα, μεταφέρετε τη συσκευή σε σταθερή θέση, η οποία να βρίσκεται τουλάχιστον ένα σκαλοπάτι χαμηλότερα από τη θέση εργασίας σας, και σκουπίστε το υπόλοιπο μισό της σκάλας.

Μεταφορά της συσκευής (εικ. J)

Κατά τη χρήση, η συσκευή μπορεί να μεταφερθεί από τη χειρολαβή (4).

- ◆ Γείρετε τη χειρολαβή στη θέση της όπως φαίνεται στην εικόνα.

Προσωρινή στερέωση του πέλματος αναρρόφησης (εικ. K)

- ◆ Χρησιμοποιήστε τη θέση στερέωσης (34) για να στερεώσετε προσωρινά το πέλμα αναρρόφησης.

Αποθήκευση της συσκευής (εικ. L)

Προειδοποίηση! Όταν πρόκειται να αποθηκεύσετε τη συσκευή, θέστε την εκτός λειτουργίας και αποσυνδέστε την από την πρίζα.

- ◆ Βεβαιωθείτε ότι το καλώδιο έχει επανατυλιχθεί πλήρως.
- ◆ Τοποθετήστε τη συσκευή σε όρθια θέση.
- ◆ Στερεώστε το μεταλλικό σωλήνα τοποθετώντας τις προεξοχές του πέλμα και του σωλήνα στις αντίστοιχες υποδοχές της συσκευής όπως φαίνεται στην εικόνα. Η διάταξη ασφάλισης (32) ενεργοποιείται αυτόματα.
- ◆ Αποθηκεύστε τη συσκευή σε ξηρό χώρο. Η συσκευή μπορεί να μεταφερθεί από την ενσωματωμένη χειρολαβή (33).
- ◆ Για να πάρετε το σωλήνα από τη συσκευή για να σκουπίσετε, πατήστε ένα από τα μπουτόν ασφάλισης και ανασηκώστε το σωλήνα και του πέλμα από τις υποδοχές στερέωσης.

Συντήρηση

Αυτή η συσκευή Black & Decker έχει σχεδιαστεί για να λειτουργεί για μεγάλο χρονικό διάστημα με ελάχιστη συντήρηση. Η αδιάλειπτη και ικανοποιητική λειτουργία της συσκευής εξαρτάται από τη φροντίδα και τον τακτικό καθαρισμό της.

Προειδοποίηση! Πριν εκτελέσετε οποιαδήποτε εργασία συντήρησης ή καθαρισμού της συσκευής, αποσυνδέστε την από την πρίζα.

- ◆ Να καθαρίζετε τακτικά τις σχισμές εξαερισμού της συσκευής σας χρησιμοποιώντας μαλακή βούρτσα ή στεγνό ύφασμα.
- ◆ Να καθαρίζετε τακτικά το περίβλημα του μοτέρ χρησιμοποιώντας ένα υγρό πανί. Μη χρησιμοποιείτε αποξεστικά καθαριστικά ή υγρά καθαρισμού που περιέχουν διαλύτες.

Αντικατάσταση της σακούλας συλλογής σκόνης (εικ. C & D)

Η σακούλα συλλογής σκόνης πρέπει να αντικαθίσταται αν ανάβει η κόκκινη ενδεικτική λυχνία γεμάτης σακούλας (14) όταν η συσκευή λειτουργεί με μέγιστη ταχύτητα και το πέλμα δεν ακουμπά στην επιφάνεια. Ανταλλακτικές σακούλες συλλογής σκόνης μπορείτε να προμηθευτείτε από τον αντιπρόσωπο της Black & Decker (κωδ. καταλόγου VBP50).

- ◆ Ανοίξτε το κάλυμμα (5) όπως φαίνεται στην εικόνα (εικ. C).
- ◆ Τραβήξτε ελαφρά τη βάση της σακούλας (16) για να βγάλετε το δακτύλιο της σακούλας (17) από την είσοδο (18) (εικ. D).
- ◆ Βγάλτε την παλιά σακούλα (15) από τη βάση της.
- ◆ Τοποθετήστε μια καινούρια σακούλα συλλογής σκόνης στη θήκη.
- ◆ Ευθυγραμμίστε το δακτύλιο της σακούλας (17) με την είσοδο (18).
- ◆ Φροντίστε ώστε η είσοδος να προεξέχει μέσα στο δακτύλιο της σακούλας.
- ◆ Κλείστε το κάλυμμα.

Καθαρισμός

Προειδοποίηση! Πριν από τον καθαρισμό και τη συντήρηση, θέστε τη συσκευή εκτός λειτουργίας και βγάλτε την από την πρίζα.

- ◆ Να καθαρίζετε τακτικά τη συσκευή με ένα υγρό πανί. Μη χρησιμοποιείτε αποξεστικά καθαριστικά ή υγρά καθαρισμού που περιέχουν διαλύτες. Μη βυθίζετε τη συσκευή σε νερό.

Καθαρισμός του φίλτρου του μοτέρ (εικ. C, D & M)

Το φίλτρο του μοτέρ ελαχιστοποιεί την ποσότητα της σκόνης που μπαίνει στο περίβλημα του μοτέρ. Το φίλτρο μπορεί να ξαναχρησιμοποιηθεί και θα πρέπει να καθαρίζεται τακτικά.

- ◆ Ανοίξτε το κάλυμμα (5) όπως φαίνεται στην εικόνα (εικ. C).
- ◆ Αφαιρέστε τη σακούλα συλλογής σκόνης (εικ. D).
- ◆ Βγάλτε το φίλτρο (27) από τη θήκη του φίλτρου (28) (εικ. M).
- ◆ Σκουπίστε τυχόν σκόνες από το φίλτρο.
- ◆ Τοποθετήστε ξανά το φίλτρο.
- ◆ Τοποθετήστε μια καινούρια σακούλα συλλογής σκόνης (εικ. D).
- ◆ Κλείστε το κάλυμμα (εικ. C).

Αντικατάσταση των φίλτρων (εικ. C, D & M - O)

Το φίλτρο του μοτέρ και το εξωτερικό φίλτρο πρέπει να αντικαθίστανται κάθε 6 έως 9 μήνες και οποτεδήποτε φθαρεί ή καταστραφεί. Τα φίλτρα πρέπει να αντικαθίστανται την ίδια ώρα. Ανταλλακτικά φίλτρα διατίθενται από τον αντιπρόσωπο της Black & Decker (αρ. κατ. VBF20).

Αντικατάσταση του φίλτρου του μοτέρ (εικ. C, D & M)

- ◆ Για να αντικαταστήσετε το φίλτρο (27), ακολουθήστε την παραπάνω διαδικασία.

Αντικατάσταση των φίλτρων εξόδου (εικ. N & O)

- ◆ Ανοίξτε το κάλυμμα (29).
- ◆ Αφαιρέστε τα παλιά φίλτρα (30).
- ◆ Τοποθετήστε τα καινούρια φίλτρα όπως φαίνεται στην εικόνα.
- ◆ Κλείστε το κάλυμμα.

VB1850 – Αντικατάσταση του φίλτρου HEPA

Το φίλτρο HEPA ελαχιστοποιεί την ποσότητα της σκόνης που βγαίνει από το περίβλημα του μοτέρ. Τα φίλτρα πρέπει να αντικαθίστανται όποτε φθαρούν ή καταστραφούν.

Ανταλλακτικά φίλτρα διατίθενται από τον αντιπρόσωπο της Black & Decker (αρ. κατ. VBF30).

- ◆ Για να αντικαταστήσετε το φίλτρο (31), ακολουθήστε την παραπάνω διαδικασία.

Προστασία του περιβάλλοντος



Η Black & Decker δίνει τη δυνατότητα ανακύκλωσης των προϊόντων της που έχουν συμπληρώσει τη διάρκεια ζωής τους. Η υπηρεσία αυτή είναι δωρεάν. Αν θέλετε να χρησιμοποιήσετε την εν λόγω υπηρεσία, επιστρέψτε το προϊόν σας σε οποιοδήποτε εξουσιοδοτημένο κέντρο επισκευών, όπου θα το παραλάβουν εκ μέρους σας.

Ενημερωθείτε για το πλησιέστερο κέντρο επισκευών της περιοχής σας, επικοινωνώντας με τα γραφεία της Black & Decker στη διεύθυνση που αναγράφεται στο εγχειρίδιο. Επίσης, για να πληροφορηθείτε για τα εξουσιοδοτημένα κέντρα επισκευών της Black & Decker, τις λεπτομέρειες και τους αρμόδιους των υπηρεσιών που παρέχονται μετά την πώληση, μπορείτε να ανατρέξετε στο Διαδίκτυο στη διεύθυνση: www.2helpU.com

Τεχνικά χαρακτηριστικά

		VB1600	VB1710	VB1820
		VB1630	VB1740	VB1850
Τάση	V	230	230	230
Ισχύς εισόδου	W	1.600	1.700	1.800
Μήκος καλωδίου	m	6	6	6
Μέγεθος σακούλας	l	3,5	3,5	3,5
Βάρος	kg	6	6	6

Δήλωση συμμόρφωσης με την Ευρωπαϊκή Κοινότητα

VB1600/VB1630/VB1710/VB1740/VB1820/VB1850

H Black & Decker δηλώνει ότι τα προϊόντα αυτά

συμμορφώνονται με:

89/336/EOK, 73/23/EOK, EN 55014, EN 61000, EN 60335



Colin Wills

Διευθυντής Μηχανικού Σχεδιασμού

BDCI, 4/F, 2 Dai Wang Street

Tai Po Industrial Estate

Tai Po NT, Hong Kong

1-12-2003

Αρ. εφαρμογής ευρεσιτεχνίας για την Αγγλία 0314932.5

Αρ. εφαρμογής σχεδιασμού για την Αγγλία 3 013 969

Αρ. εφαρμογής σχεδιασμού για την Αυστραλία 484/04

Αρ. εφαρμογής σχεδιασμού για την Ευρωπαϊκή Ένωση 131 669

Αρ. εφαρμογής σχεδιασμού για την Κίνα 200430002049

Αρ. εφαρμογής σχεδιασμού για την Αμερική 29/199,055

Εγγύηση

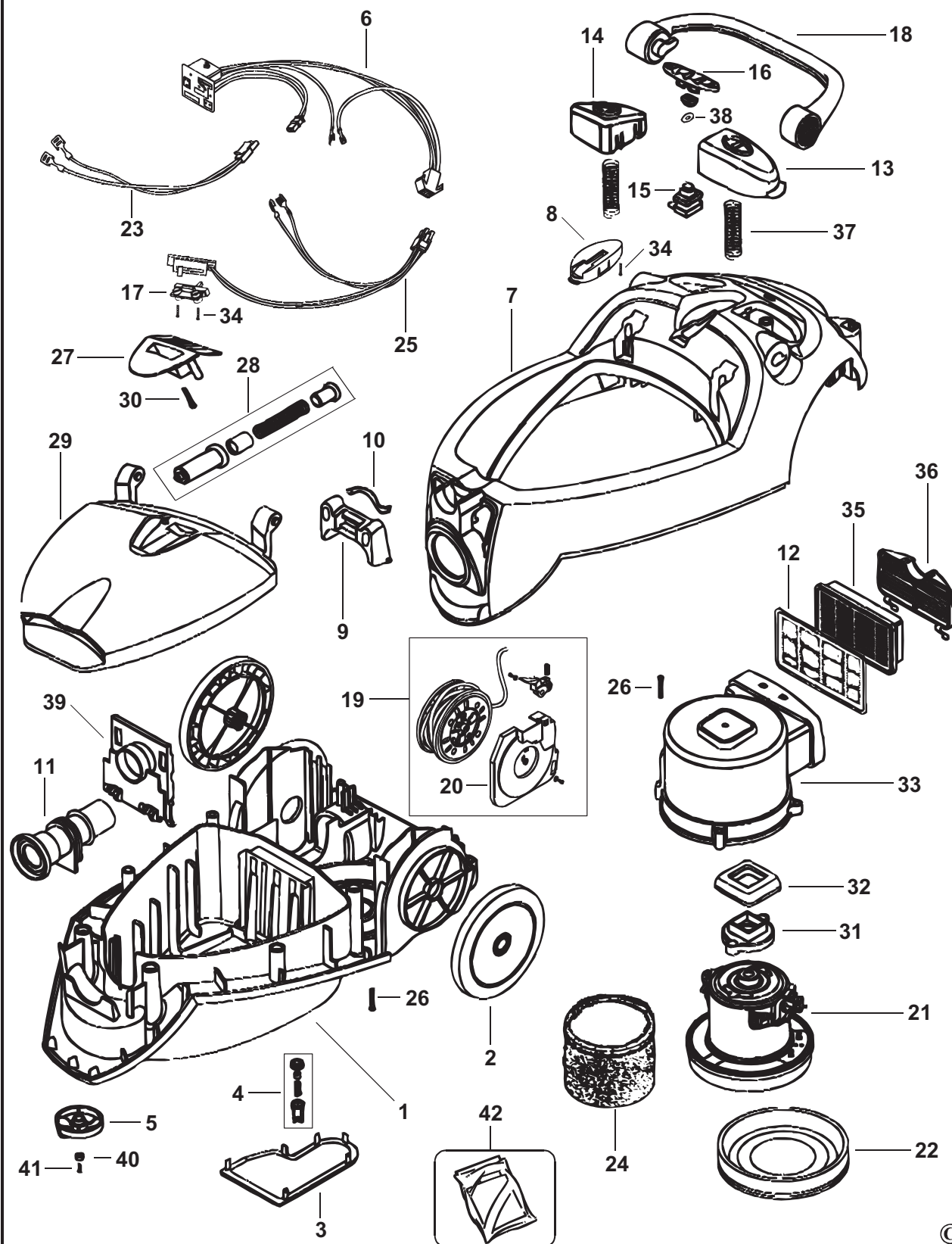
Η Black & Decker είναι σίγουρη για την ποιότητα των προϊόντων της και παρέχει σημαντική εγγύηση. Η παρούσα γραπτή εγγύηση αποτελεί πρόσθετο δικαίωμά σας και δεν ζημιώνει τα συνταγματικά σας δικαιώματα. Η εγγύηση ισχύει εντός της επικράτειας των Κρατών Μελών της Ευρωπαϊκής Ένωσης και της Ευρωπαϊκής Ζώνης Ελευθέρων Συναλλαγών.

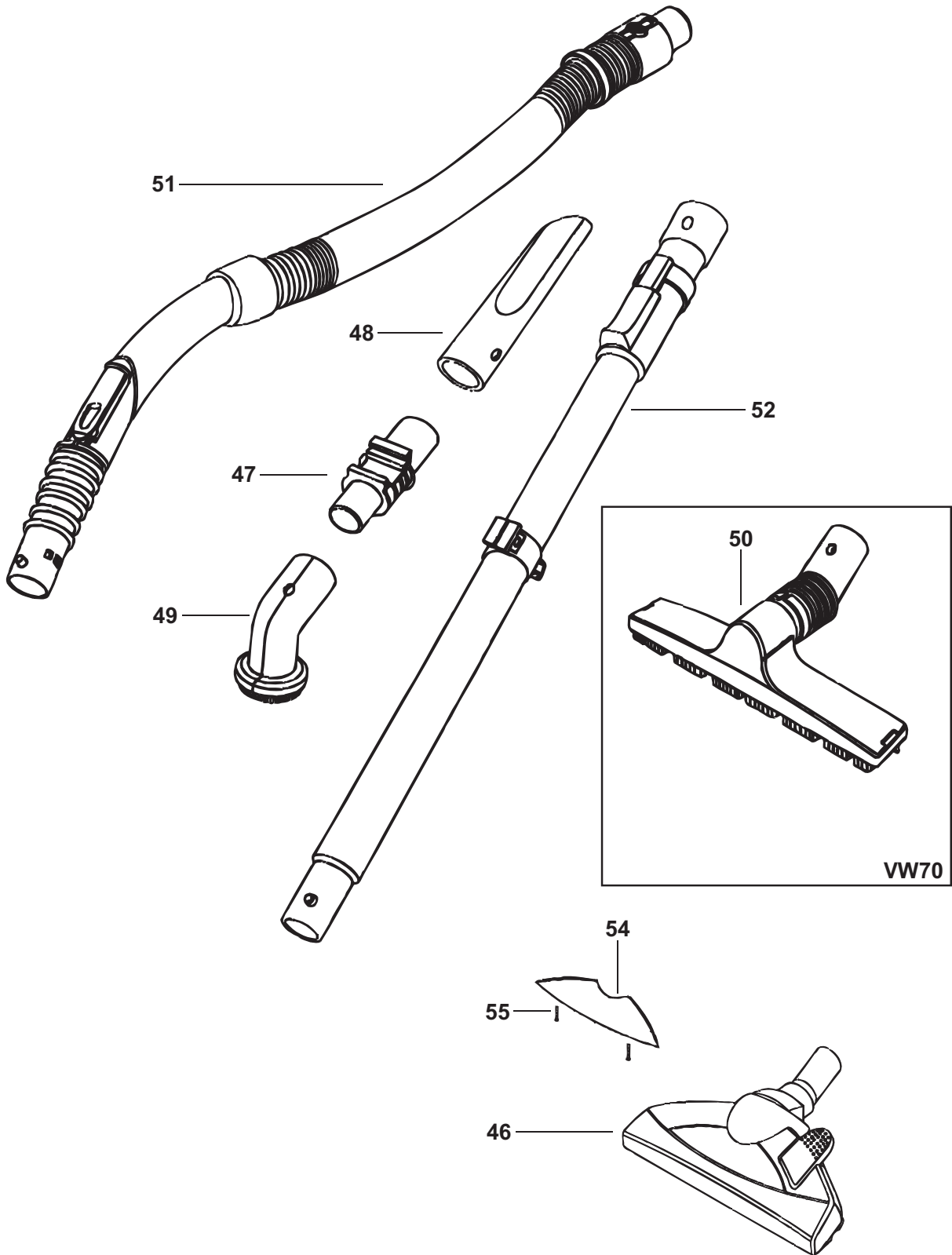
Σε περίπτωση που κάποιο προϊόν της Black & Decker παρουσιάσει βλάβη εξαιτίας ελαττωματικών υλικών, ποιότητας εργασίας ή έλλειψης συμφωνίας με τις προδιαγραφές εντός 24 μηνών από την ημερομηνία αγοράς, η Black & Decker εγγυάται την αντικατάσταση των ελαττωματικών τμημάτων, την επισκευή προϊόντων που έχουν υποστεί εύλογη φθορά λόγω χρήσης ή την αντικατάσταση των προϊόντων προκειμένου να εξασφαλίσει την ελάχιστη ενόχληση στους πελάτες της, εκτός αν:

- ♦ Το προϊόν έχει χρησιμοποιηθεί σε εργασιακό, επαγγελματικό περιβάλλον ή αν έχει ενοικιαστεί
- ♦ Έχει γίνει εσφαλμένη χρήση του προϊόντος ή αν έχει παραμεληθεί
- ♦ Το προϊόν έχει υποστεί βλάβη από άλλα αντικείμενα, από ουσίες ή λόγω ατυχήματος
- ♦ Έχει γίνει προσπάθεια επισκευής από μη εξουσιοδοτημένα κέντρα επισκευών ή από προσωπικό που δεν ανήκει στο προσωπικό της Black & Decker

Για να ισχύσει η εγγύηση, πρέπει να υποβάλετε απόδειξη αγοράς στον πωλητή ή το εξουσιοδοτημένο κέντρο επισκευών. Ενημερωθείτε για το πλησιέστερο κέντρο επισκευών της περιοχής σας, επικοινωνώντας με τα γραφεία της Black & Decker στη διεύθυνση που αναγράφεται στο εγχειρίδιο. Επίσης, για να πληροφορηθείτε για τα εξουσιοδοτημένα κέντρα επισκευών της Black & Decker, τις λεπτομέρειες και τους αρμόδιους των υπηρεσιών που παρέχονται μετά την πώληση, μπορείτε να ανατρέξετε στο Διαδίκτυο στη διεύθυνση: www.2helpU.com

Παρακαλούμε να επισκεφτείτε την ιστοσελίδα μας www.blackanddecker.com για να καταχωρήσετε το νέο σας προϊόν Black & Decker και για να ενημερώνεστε για τα νέα προϊόντα και τις ειδικές προσφορές. Περισσότερες πληροφορίες σχετικά με τη μάρκα Black & Decker και τη σειρά προϊόντων μας θα βρείτε στη διεύθυνση www.blackanddecker.com





Australia	Black & Decker (Australia) Pty. Ltd. 20 Fletcher Road, Mooroolbark, Victoria, 3138	Tel. 03-8720 5100 Fax 03-9727 5940
België/Belgique	Black & Decker (Belgium) N.V. Campus Noord, Schaliënhoevedreef 20E 2800 Mechelen	Tel. 015 - 47 92 11 Fax 015 - 47 92 10
Danmark	Black & Decker Sluseholmen 2-4, 2450 København SV Internet: www.blackanddecker.dk	Tel. 70 20 15 39 Fax 36 94 45 10
Deutschland	Black & Decker GmbH Black & Decker Str. 40, D - 65510 Idstein	Tel. 06126/21 - 0 Fax 06126/21 29 80
Ελλάδα	Black & Decker (Ελλάς) A.E. Στράβωνος 7 & Λεωφ. Βουλιαγμένης 159 166 74 Γλυφάδα - Αθήνα	Τηλ. 210 8981616 Τηλ. 210 8982630 Φαξ Service 210 8983285
España	Black & Decker Ibérica, S.C.A. Parque de Negocios "Mas Blau" Edificio Muntadas, c/Bergadá, 1, Of. A6 08820 El Prat de Llobregat (Barcelona)	Tel. 934 797 400 Fax 934 797 419
France	Black & Decker (France) S.A.S. B.P. 21, 69571 Dardilly Cédex	Tel. 04 72 20 39 20 Fax 04 72 20 39 00
Helvetia	ROFO AG Gewerbezone Seeblick 3213 Kleinbödingen	Tel. 026-6749391 Fax 026-6749394
Italia	Black & Decker Italia SpA Viale Elvezia 2 20052 Monza (MI)	Tel. 039-23871 Fax 039-2387592/2387594 Numero verde 800-213935
Nederland	Black & Decker Benelux Joulehof 12, 4622 RG Bergen op Zoom	Tel. 0164 - 283000 Fax 0164 - 283100
New Zealand	Black & Decker 81 Hugo Johnston Drive Penrose, Auckland, New Zealand	Tel. 09 579 7600 Fax 09 579 8200
Norge	Black & Decker (Norge) A/S Postboks 4814, Nydalen, 0422 Oslo Internet: www.blackanddecker.no	Tlf. 22 90 99 00 Fax 22 90 99 01
Österreich	Black & Decker Vertriebsges.m.b.H Erlaaerstraße 165, 1231 Wien	Tel. 01 66116-0 Fax 01 66116-14
Portugal	Black & Decker Rua Egas Moniz 173 S. João do Estoril 2766-651 Estoril	Tel. 214667500 Fax 214667575
Suomi	Black & Decker Oy Keilasatama 3, 02150 Espoo Black & Decker Oy, Kägelhamnen 3, 02150 Esbo	Puh.: 010 400 430 Faksi: (09) 2510 7100 Tel: 010 400 430 Fax: (09) 2510 7100
Sverige	Black & Decker AB Fabriksg. 7, 412 50 Göteborg	Tel: 031-68 60 60 Fax: 031-68 60 80
Türkiye	İntratek Mühendislik ve Dış Tic. A.Ş. Ortaklar Cad. No:19/2 80290 Mecidiyeköy / İstanbul	Tel. 0212 211 22 10 Faks 0212 266 33 03
United Kingdom	Black & Decker 210 Bath Road Slough, Berkshire SL1 3YD	Tel. 01753 511234 Fax 01753 551155 Helpline 01753 574277
Middle East & Africa	Black & Decker (Overseas) A.G. PB 5420, Dubai, United Arab Emirates	Tel. +971 4 2826464 Fax +971 4 2826466

Dealer address
Händleradresse
Cachet du revendeur
Indirizzo del rivenditore
Adres van de dealer
Dirección del detallista
Morada do revendedor
Återförsäljarens adress
Forhandlerens adresse
Forhandler adresse
Jälleenmyyjän osoite
Διεύθυνση αντιπροσώπου

Date of purchase
Kaufdatum
Date d'achat
Data d'acquisto
Aankoopdatum
Fecha de compra
Data de compra
Inköpsdatum
Innkjøpsdato
Indkøbsdato
Ostopäivä
Ημερομηνία αγοράς

◆ Name ◆ Name ◆ Nom ◆ Nome
◆ Naam ◆ Nombre ◆ Nome ◆ Namn
◆ Navn ◆ Nimi ◆ Onoma:
.....
◆ Address ◆ Adresse ◆ Adresse ◆ Indirizzo ◆
Adres ◆ Dirección ◆ Morada ◆ Address ◆
Adresse ◆ Adresse ◆ Osoite ◆ Διεύθυνση:
.....
◆ Town ◆ Ort ◆ Ville ◆ Città ◆ Plaats
◆ Ciudad ◆ Localidade ◆ Ort ◆ By ◆ By
◆ Paikkakunta ◆ Πόλη:
.....
◆ Postal code ◆ Postleitzahl ◆ Code postal ◆
Codice postale ◆ Postcode
◆ Código ◆ Código postal ◆ Postnr.
◆ Postnr. ◆ Postnr. ◆ Postnumero
◆ Κωδικός
.....

◆ Is this tool a gift? ◆ Ist dieses Gerät ein Geschenk? ◆ S'agit-il d'un cadeau? ◆ Si tratta di un regalo? ◆ Kreeg u de machine als cadeau? ◆ ¿Ha recibido usted esta herramienta como regalo? ◆ Recebeu esta ferramenta como presente? ◆ Är verktyget en gåva? ◆ Er verkøyet en gave? ◆ Onko kone lahja? ◆ Το εργαλείο είναι δώρο? Yes ◆ Ja ◆ Oui ◆ Si ◆ Ja ◆ Sí Sim ◆ Ja ◆ Ja ◆ Ja ◆ Kyllä ◆ Nai ◆ No ◆ Nein ◆ Non ◆ No ◆ No ◆ Nee ◆ No ◆ Não ◆ Nej ◆ Nei ◆ Nej ◆ Ei ◆ Oxi
◆ Is this tool your first purchase? ◆ Ist dieses Gerät ein Erstkauf? ◆ Est-ce un 1er achat? ◆ Questo prodotto è il suo primo acquisto? ◆ Is deze machine uw eerste aankoop? ◆ ¿Es esta herramienta la primera de este tipo? ◆ Esta ferramenta é a sua primeira compra? ◆ Är detta ditt första B&D-verktyg? ◆ Er dette ditt første B&D-verktøj? ◆ Onko tämä ensimmäinen B&D-

koneesi? ◆ Είναι το εργαλείο αυτό η πρώτη σας αγορά? Yes ◆ Ja ◆ Oui ◆ Si ◆ Ja ◆ Sí Sim ◆ Ja ◆ Ja ◆ Ja ◆ Kyllä ◆ Nai ◆ No ◆ Nein ◆ Non ◆ No ◆ No ◆ Nee ◆ No ◆ Não ◆ Nej ◆ Nei ◆ Nej ◆ Ei ◆ Oxi
◆ Dealer address ◆ Händleradresse
◆ Cachet du revendeur ◆ Indirizzo del rivenditore ◆ Adres van de dealer
◆ Dirección del detallista ◆ Morada do revendedor ◆ Återförsäljarens adress
◆ Forhandlerens adresse ◆ Forhandler adresse
◆ Jälleenmyyjän osoite
◆ Διεύθυνση αντιπροσώπου

Cat. no.:



- ◆ GUARANTEE CARD
- ◆ GARANTIEKAART
- ◆ GARANTI KORT
- ◆ GARANTIEKARTE
- ◆ TARJETA DE GARANTÍA
- ◆ GARANTI KORT
- ◆ CARTE DE GARANTIE
- ◆ CARTÃO DE GARANTIA
- ◆ TAKUKORTTI
- ◆ TAGLIANDO DI GARANZIA
- ◆ GARANTIBEVIS
- ◆ ΚΑΡΤΑ ΕΓΓΥΗΣΗΣ



English

Please complete this section immediately after the purchase of your tool and send it to Black & Decker in your country. If you live in Australia or New Zealand, please register by using the alternative guarantee card supplied.

Deutsch

Bitte schneiden Sie diesen Abschnitt ab, stecken ihn in einen frankierten Umschlag und schicken ihn an die Black & Decker Adresse Ihres Landes.

Français

Découpez cette partie et envoyez-la sous enveloppe timbrée à l'adresse de Black & Decker dans votre pays, ceci immédiatement après votre achat.

Italiano

Per favore ritagliate questa parte, inseritela in una busta con francobollo e speditea subito dopo l'acquisto del prodotto all'indirizzo della Black & Decker nella vostra nazione.

Nederlands

Knip dit gedeelte uit en zend het direct na aankoop in een gefrankeerde, geaddresseerde envelop naar het adres van Black & Decker in uw land.

Español

Después de haber comprado su herramienta envíe usted, por favor, esta tarjeta a la central de Black & Decker en su país.

Português

Por favor, recorte esta parte, coloque-a num envelope selado e endereçado e envie-o logo após a compra do seu produto para o endereço da Black & Decker do seu país.

Svenska

Var vänlig klipp ur denna del och sänd den i ett frankerat kuvert till Black & Deckers adress i Ditt land.

Norsk

Vennligst klipp ut denne delen umiddelbart etter du har pakket ut ditt produkt og legg det i en adressert konvolutt til Black & Decker (Norge) A/S.

Dansk

Venligst klip denne del ud og send frankeret til Black & Decker i dit land.

Suomi

Leikkaa irti tämä osa, laita se kuoreen ja postita kuori paikalliseen Black & Decker osoitteeseen.

Ελληνικά

Παράκαλώ κόψτε αυτό το κομμάτι και ταχυδρομήσατε το κτεώς μετά την αγορά του προϊόντος σας στην διεύθυνση της Black & Decker στην Ελλάδα.