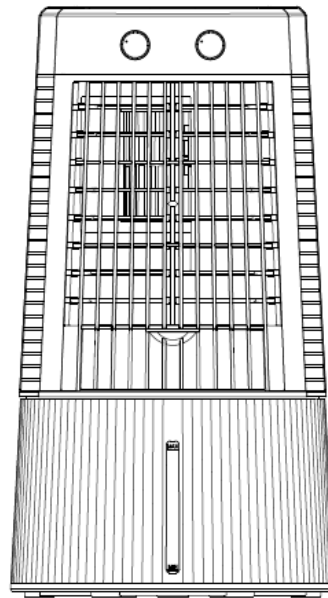
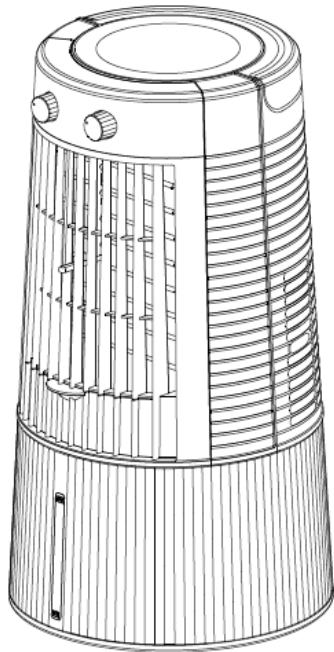


Owner's Manual



Evaporative Air Cooler

Durango Portable Cooler DUET



DO NOT return to store
For help with installation or warranty issues

IMPORTANT
READ AND SAVE THESE INSTRUCTIONS.

Please keep this important manual in a safe place.

It is the owner's responsibility to ensure that regular maintenance is carried out on this evaporative cooling product. Failure to do so will void all guarantees beyond statutory and legal requirements.

Disclaimer

Climate Technologies reserves the right to make alterations to specifications, quantities, dimensions etc. for production or other reasons, subsequent to publication. While we believe the information is accurate and complete, we make no warranty or representation for any particular purposes. The information is offered in good faith and with the understanding that any use of the units or accessories in breach of the directions and warnings in this document is at the sole discretion and risk of the user.

1. General Safety Information

Thank you for purchasing a quality Bonaire Evaporative Portable Cooler. We care about your safety and would ask you to spend a few minutes reading these simple instructions before operating this product.

Safety!



Read carefully prior to attempting to assemble, install, operate or maintain the unit.

- **Read and save these instructions. Do not throw these instructions away**
- **Complete the unit assembly before attempting to operate.**
- Interference with and operation of this cooler in any manner not prescribed by these instructions could cause a safety issue and **WILL** void any warranty.

WARNING:

- Do not use cooler on uneven or unstable surfaces.
- Do not overfill. Use water only.
- Do not operate cooler with Rear Filter Panel removed.
- Do not insert any foreign objects or body parts into the air inlet or outlet, otherwise bodily injury or property damage may occur.
- Do not use immediately adjacent to heat sources such as stoves or radiators.
- Do not use immediately adjacent to sources of water, such as swimming pools, hot tubs, bathtubs, showers, sinks or other liquids.
- Do not operate this product near an open flame or the product may ignite and cause fire, resulting in bodily injury or property damage.
- Do not operate in areas where gasoline, paint or other flammable liquids or vapours are used or stored.

WARNING:

- All electrical connections must comply with local construction and safety regulations and be performed by qualified personnel.
- The power cord should be connected directly to a 120VAC +/-10%, 60 Hz, 1 phase only grounded GFCI protected electrical receptacle. Make sure that the power switches are in the off position before connecting and operating your cooler.
- Do not use this product with any solid- state speed control device.
- Keep the cord away from heated surfaces.
- Do not operate cooler with a damaged cord, plug or other components.
- Do not step on or roll over the power cord with heavy or sharp objects.
- Do not run the power cord under carpet or other floor covering. Arrange cord away from traffic area and where it will not be tripped over.

- Do not use the power cord with an adaptor plug that converts the 3-pin plug into a 2-prong connector.
- If the power cord is damaged, it should be replaced by a service agent or qualified personnel to avoid risk of bodily injury or property damage.
- Remove the plug from the electrical receptacle by pulling on the plug and not the cord.
- Use only qualified electricians for replacement or servicing of switches, or electrical motors and components in this cooler.
- If damaged, discard cooler or return to an authorized service facility for examination and/or repair.
- Unplug or disconnect the appliance from the power supply before servicing.

WARNING:

- Always unplug the power cord from the wall outlet receptacle when the air cooler is not in use, before adding water, before cleaning, before removing cooling pad, before maintenance and replacing parts, or before moving to another location for servicing.
- Do not plug the cord into electric outlet with wet hands or an electric shock may result. The same applies for unplugging.
- Never wash the unit cabinet with a garden hose. water may harm the motor and electrical system.
- Never attempt to disassemble or alter the product in any way not instructed by this manual. Shock, fire, or bodily injury may occur.
- Do not allow children to operate or service this cooler.

WARNING:

Stagnant water may cause bacterial growth and serious health problems. Do not allow stagnant water to remain in the tank.

- Drain and clean the water tank before storage, after seasonal use and whenever the unit is not in daily use.

2. Product Description

The Evaporative Air Cooler is an efficient, energy-saving product. It cools by combining water evaporation with air movement, through carefully designed and manufactured equipment, providing maximum efficiency and safety.

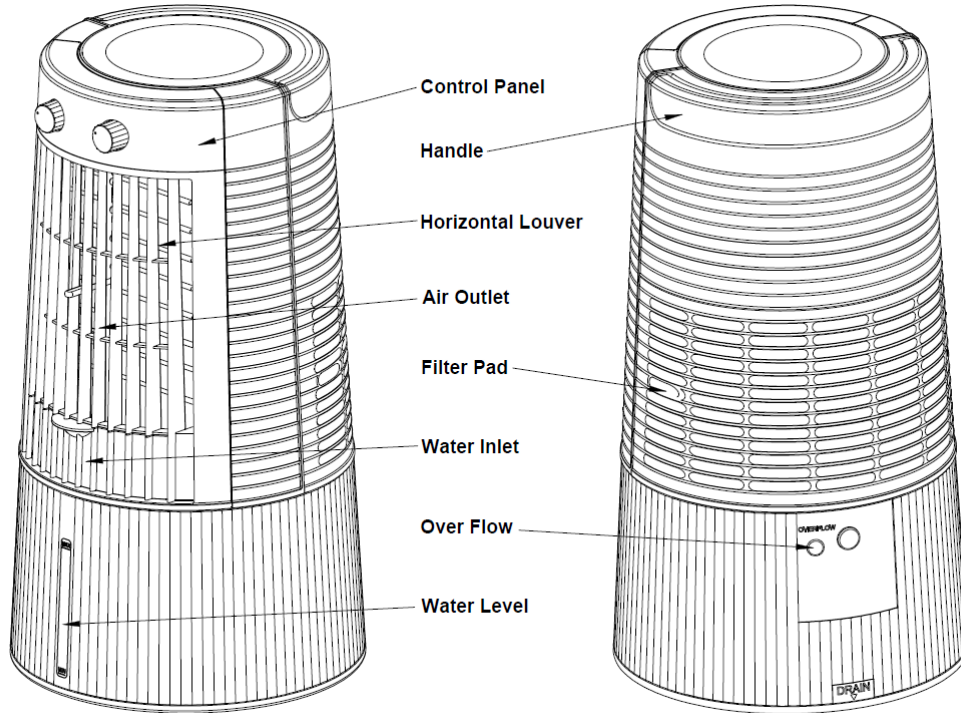
The evaporative cooling technology is very economical and gives a number of additional benefits compared to traditional air conditioning systems for homes and businesses. The system does not use refrigerants or compressors; it cools by simply moving air through a surface composed of specially designed evaporative cooling pads.

Heat from the inlet air is absorbed by the water. The resulting outlet air temperature drops when the water transforms into gas. Humidity is not perceived, since the air in the room is renewed approximately every two minutes, while a comfortable cooling effect is created. Continuous air circulation is a vital aspect of the evaporative cooling process used in this equipment and gives it a distinct advantage over air conditioning by refrigeration.

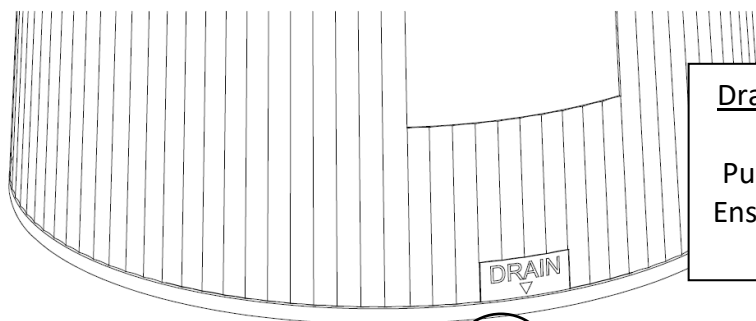
3. Unpacking

Handle the unit with care. Visually inspect for shipping damage. If any part is damaged, immediately file a claim with the carrier.

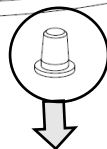
4. Product Specifications



Model	Durango Portable Cooler Duet
Voltage	110-120 VAC, 60 Hz, 1 phase
Amperage	0.7A
Tank Capacity	1.6 gal (6 L)
Unit Weight	10 lbs (4.6kg)
Dimensions: inches (cm)	H: 18.5" (47 cm) X W: 10" (25.4 cm) X D: 10" (25.4 cm)



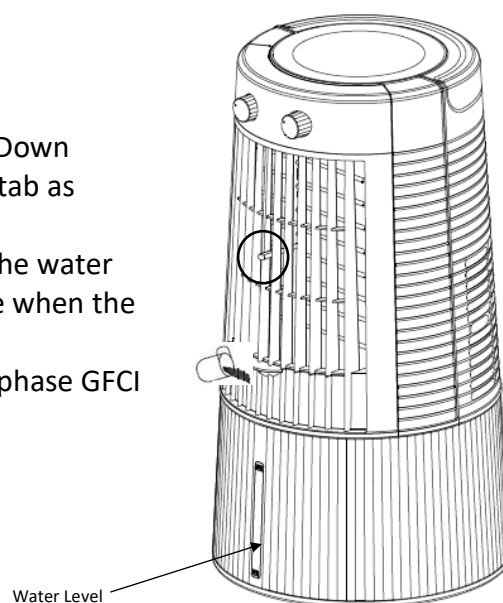
Drain plug is located under cooler at the back.
 Pull off drain plug to empty tank. Ensure drain plug is fitted securely before re-filling tank.



5. Electrical Connection and Installation

Review and understand the warnings in the General Safety Information section, page 2 & 3.

1. Install the cooler on a flat, level surface.
2. Adjustable Up and Down louvre: The Up and Down Louvres can be adjusted using the protruded tab as shown in the image by circle.
3. Add clean water into the water tank. Check the water level window on the front of the cooler to see when the water tank is full.
4. Plug the unit into a 120 VAC ($\pm 10\%$) 60 Hz, 1 phase GFCI protected grounded outlet.



6. Operation

Control Panel



There are 2 control knobs on the Panel. Left knob controls the power and fan speed of the Unit. The other knob control cool and swing.

No 2, 3 and 4 are high, medium, and low fan speeds.

No 5 ❄️ - is for the Cool function which switch the pump on.

No 6 ❄️ △ - Keeps the pump on and switch on the swing function.

No 7 △ - is swing only. In this function it switches off the pump.

Air Renewal Requirements:

When your cooler is working, it is important to leave a window or door open in order to keep a constant air flow and to avoid any accumulation of humidity and heat. Your Evaporative Cooler does not cool correctly when air flow is restricted from exiting a room. This causes a decrease in the cooling efficiency due to an increase of humidity.

7. Maintenance

⚠ WARNING

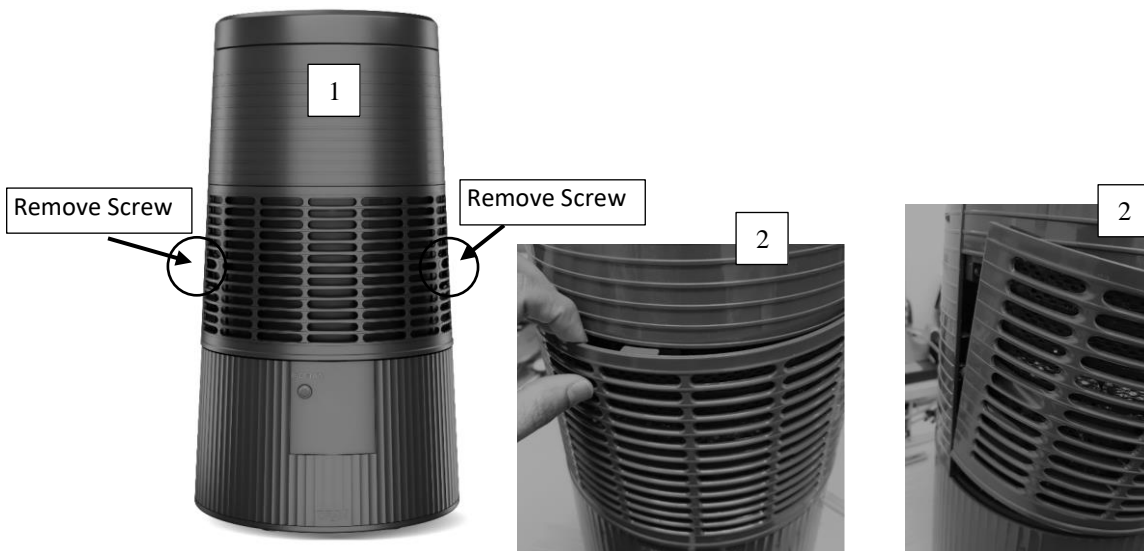
Stagnant water may cause bacterial growth and serious health problems. Do not allow stagnant water to remain in the tank.

Drain and clean the water tank before storage, after seasonal use and whenever the unit is not used for a long time period.

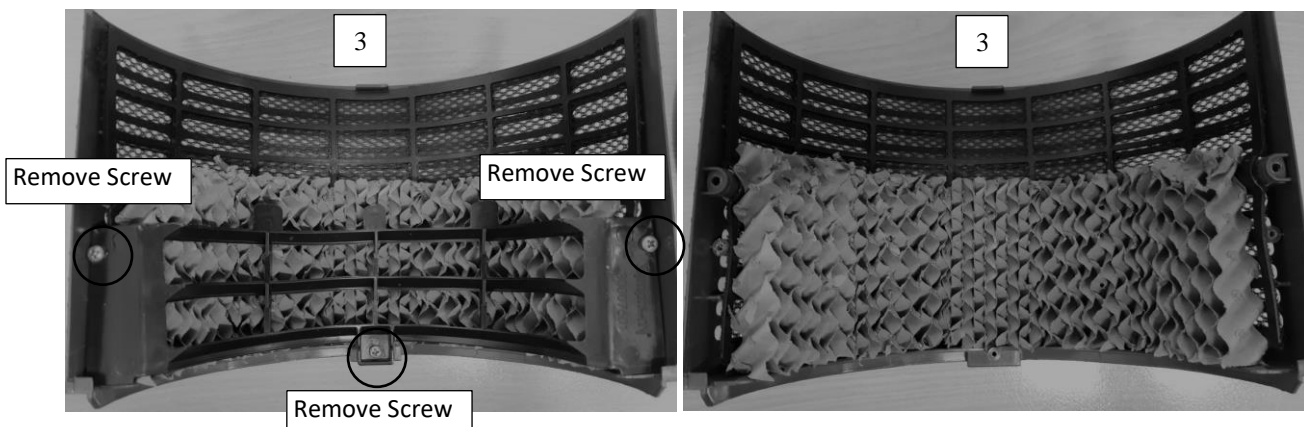
Changing the filter pads:

Please follow the instructions below in order to change the filter pads.

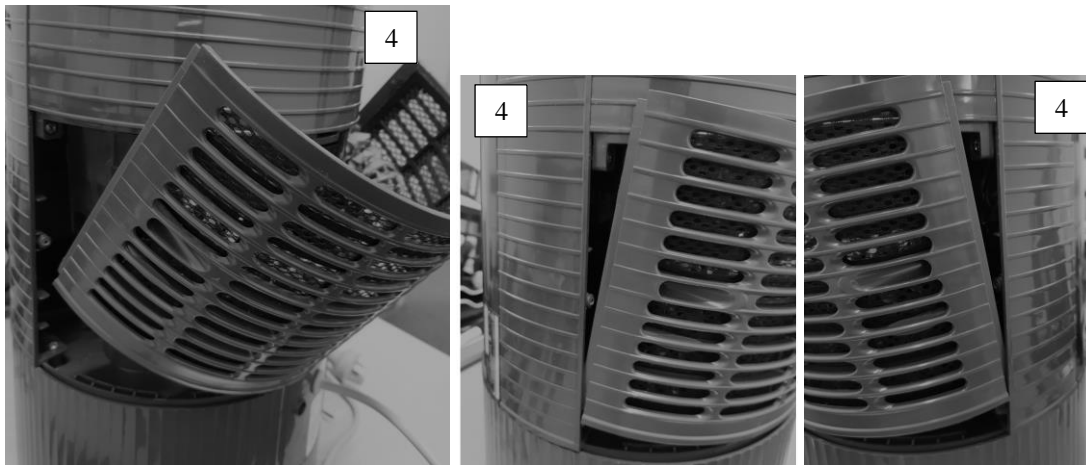
- 1- Remove the two screws (as shown by arrows).



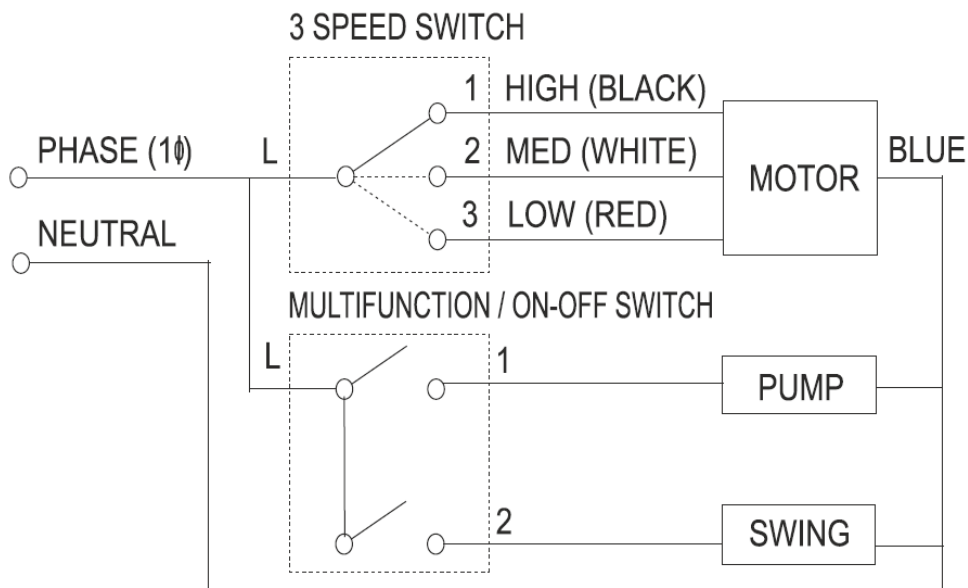
- 2- Pull the panel from the top as shown in in the image.
- 3- Filter pads are secured by a bracket with 3 screws, remove 3 x screws as shown to be able to remove filter pad, replace filter pads.



4- Assemble in reverse order, ensuring the panels are fitted correctly with no gaps or tabs left outside.



8. Wiring Diagram



9. Troubleshooting

Problem	Reason	Solution
No air flow	<ol style="list-style-type: none"> 1. Power is not connected. 2. Power is not turned ON. 3. Body damaged. 	<ol style="list-style-type: none"> 1. Plug in the power cable properly. 2. Press the Air Speed button to start. 3. Return to Service Center.
Abnormal Sound	<ol style="list-style-type: none"> 1. Foreign article inside body of unit. 2. Loose air fan. 3. Motor defect. 	<ol style="list-style-type: none"> 1. Remove rear cover and wet pad, remove foreign articles. 2. Return to Service Center. 3. Return to Service Center.
No evaporation/Cooling	<ol style="list-style-type: none"> 1. Water tank is clogged. 2. Other cause. 	<ol style="list-style-type: none"> 1. Clean the water tank. 2. Return to Service Center.
Air flow direction cannot be controlled	Swing motor is defective.	Return to Service Center

10. Supplier's Declaration of Conformity

- a. This device complies with part 15 of the FCC rules.
- b. Responsible supplier listed as per SDoC:
Bonaire USA LLC.

11. Warranty

Statement on Product Warranty (U.S.A.)

1. Warranty

Subject to the Conditions and Exclusions, Climate Technologies Pty Ltd provides the original purchaser with the following warranty:

Climate Technologies Pty Ltd warrants these appliances: Bonaire Durango Duet, for a (2) two-year period (parts only) from the date of purchase. During this period, a defective appliance or defective parts will be repaired or replaced free of charge at the election of Climate Technologies Pty Ltd. In addition, Lifetime cabinet corrosion parts only warranty on the unit cabinet applies.

Climate Technologies Pty Ltd, makes no warranties, representations, or promises as to the quality or performance of its evaporative coolers other than those specifically stated in this warranty.

2. Conditions and Exclusions

- a) The warranty only covers portable coolers supplied by Climate Technologies Pty Ltd and purchased in the U.S.A.
- b) The warranty does not cover installation components that may be attached to the product manufactured by Climate Technologies Pty Ltd. These may include and is not limited to items such as ducting, flues, grills, piping, etc. These items remain solely the responsibility of the installer / owner.
- c) This warranty is only valid if the appliance is installed and operated in accordance with the manufacturer's instructions and for its designed and intended purpose at the nominated phase, voltage and frequency.
- d) Product fitness for purpose and overall system design / sizing are solely the responsibility of the installer / owner. This includes but is not limited to heat load calculations, air flow, system balancing, humidity, water quality, etc.
- e) Industrial or commercial use of this product will void the warranty. The appliance is designed for domestic use only.
- f) The product must be installed by a qualified person in the manner prescribed by local and statutory regulations and to the manufacturer's specifications.
- g) Warranty will only be given where proof of purchase is provided by the original purchaser and Climate Technologies Pty Ltd is satisfied that the appliance is within the warranty period.
- h) Warranty will not be provided where, in Climate Technologies Pty Ltd opinion:

- i. There is nothing wrong with the appliance.
 - ii. The defective operation of the appliance is due to failure of electricity or water supply.
 - iii. Defects are caused by neglect, incorrect application, abuse, normal wear and tear or by accidental damage of the appliance.
 - iv. An unauthorized person has attempted to repair the appliance.
 - v. The appliance has been changed or modified in any way.
 - vi. A situation arises referenced in the trouble-shooting guide.
- i) Damage caused by elements such as wind, rain, lighting, floods, etc. along with power spiking and brownouts are not considered defective material or workmanship and as such are not covered by our warranty.
 - j) If there is no certificate of compliance for plumbing or electrical work, Climate Technologies Pty Ltd reserves the right to refuse warranty on non-compliant installations.
 - k) No responsibility will be accepted for outside elements such as pests, animals, pets and vermin that may cause damage to the unit.
 - l) Harsh environmental situations such as salt air that may cause damage are not covered.
 - m) Responsibility or liability is not accepted for damage to contents, carpet, walls, ceilings, foundations or any other consequential loss or damage of whatever nature either direct or indirect resulting from installation, operation or misuse of the appliance.
 - n) Parts replaced under warranty are warranted for the balance of the original Warranty Period.
 - o) All warranties are non-transferable.
 - p) The benefits conferred by this warranty are in addition to warranties and other rights in respect of the appliance, which the consumer has under State and Federal laws. This warranty must be read subject to that legislation and nothing in this warranty has the effect of excluding, restricting or modifying those rights.

3. How to obtain service

Subject to the aforementioned conditions and exclusions, Climate Technologies Pty Ltd will repair or replace (at its discretion) any evaporative cooler which, after examination, is determined to be defective for the duration of warranty delineated in "Warranty" section. Bring the evaporative cooler in need for service to the nearest authorised retailer special service desk. A copy of proof of previous replacement must also be included if applicable. Maintain the original documents for future reference.

The authorised retailer and Climate Technologies Pty Ltd will assess your product and provided paperwork to confirm the 1-year limited warranty is still valid. If any items in the "Conditions and Exclusions" section are found, then the 1-year limited warranty is

null and void. A valid, legible product serial code must also be visible to obtain service under the Climate Technologies Pty Ltd evaporative cooler 1-year limited warranty. If the authorised retailer and Climate Technologies Pty Ltd deem that a product cannot be serviced and a replacement is necessary, a similar product of equal or greater value will be shipped to you free of charge by Climate Technologies Pty Ltd.

4. Climate Technologies Pty Ltd

Climate Technologies Pty Ltd is a company incorporated in Australia (A.C.N. number 001 418 042). Reference to Climate Technologies Pty Ltd includes its authorized distributors.

Warranty for Replacement Parts.

Parts replace under warranty are warranted for the balance of the Cooler’s original warranty period.

Proof of Purchase

Please attach your proof of purchase here. Your receipt is your warranty and will be required to validate any warranty.

Dealer / Product Information

Dealer/Retailer:	
Address:	
Phone Number:	
Unit Model Number:	
Serial No:	

ACCEPTANCE OF THE EXCLUSIVE REPAIR AND REPLACEMENT REMEDIES DESCRIBED HEREIN IS A CONDITION OF THE CONTRACT FOR THE PURCHASE OF EVERY CLIMATE TECHNOLOGIES PTY LTD EVAPORATIVE COOLER PRODUCT. DETAILS OF THIS LIMITED WARRANTY ARE SUBJECT TO CHANGE WITHOUT NOTICE. IF YOU DO NOT AGREE TO THIS CONDITION, YOU SHOULD NOT PURCHASE THE PRODUCT. IN NO EVENT SHALL CLIMATE TECHNOLOGIES PTY LTD BE LIABLE FOR ANY INCIDENTAL, SPECIAL, CONSEQUENTIAL OR PUNITIVE DAMAGES, OR FOR ANY COSTS, ATTORNEY FEES, EXPENSES, LOSSES OR DELAYS ALLEGED TO BE AS A CONSEQUENCE OF ANY DAMAGE TO, FAILURE OF, OR DEFECT IN ANY PRODUCT INCLUDING, BUT NOT LIMITED TO, ANY CLAIMS FOR LOSS OR PROFITS. SOME STATES DO NOT ALLOW THE EXCLUSION OR LIMITATION OF INCIDENTAL OR CONSEQUENTIAL DAMAGES, SO THE ABOVE LIMITATION OR EXCLUSION MAY NOT APPLY TO YOU. THIS WARRANTY IS EXCLUSIVE AND IN LIEU OF ALL OTHER EXPRESS WARRANTIES, WRITTEN OR ORAL. TO THE EXTENT PERMITTED BY LAW, CLIMATE TECHNOLOGIES PTY LTD DISCLAIMS ANY IMPLIED WARRANTIES, INCLUDING WITHOUT LIMITATION, ANY IMPLIED WARRANTY OF MERCHANTABILITY OR FITNESS FOR A PARTICULAR USE OR PURPOSE; TO THE EXTENT SUCH DISCLAIMER IS NOT PERMITTED BY LAW, SUCH IMPLIED WARRANTIES ARE LIMITED TO THE DURATION OF THE APPLICABLE EXPRESS WARRANTY AS DESCRIBED ABOVE. SOME STATES DO NOT ALLOW LIMITATIONS ON HOW LONG AN IMPLIED WARRANTY LASTS, SO THE ABOVE LIMITATION MY NOT APPLY TO YOU. THIS WARRANTY GIVES YOU SPECIFIC LEGAL RIGHTS, AND YOU MAY ALSO HAVE OTHER RIGHTS WHICH VARY FROM STATE TO STATE.

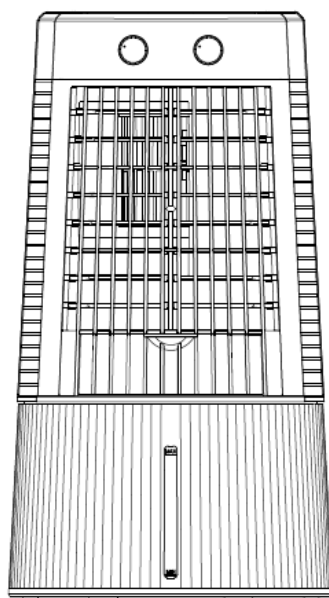
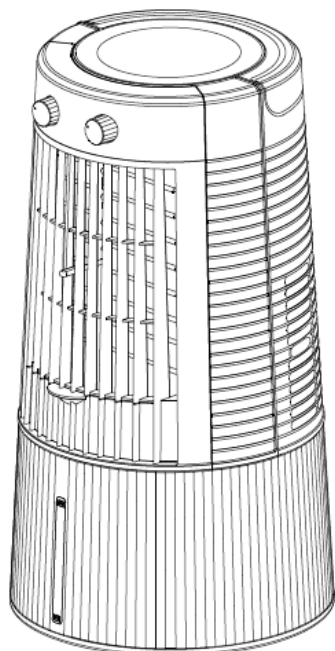


El manual del propietario



BONAIRE®

Durango



Enfriador de aire evaporativo

Durango Portable Cooler DUET



Intertek
5018860

No vuelvas a la tienda

Para ayuda con la instalación o problemas de garantía

Llamada: 800-939-2983 or

IMPORTANTE

LEA Y GUARDE ESTAS INSTRUCCIONES.

Guarde este importante manual en un lugar seguro.

Es responsabilidad del propietario asegurarse de que se lleve a cabo un mantenimiento regular de este producto de enfriamiento evaporativo.

No hacerlo anulará todas las garantías más allá de los requisitos legales y estatutarios.

Descargo de responsabilidad

Climate Technologies se reserva el derecho de realizar modificaciones en las especificaciones, cantidades, dimensiones, etc. por motivos de producción u otros, con posterioridad a la publicación. Si bien creemos que la información es precisa y completa, no ofrecemos garantía ni representación para ningún propósito en particular. La información se ofrece de buena fe y con el entendimiento de que cualquier uso de las unidades o accesorios que infrinja las instrucciones y advertencias de este documento queda a la entera discreción y riesgo del usuario.

1. Información general de seguridad

Gracias por adquirir un enfriador evaporativo portátil de calidad Bonaire. Nos preocupamos por su seguridad y le pedimos que dedique unos minutos a leer estas sencillas instrucciones antes de utilizar este producto.

La seguridad!



Lea atentamente antes de intentar ensamblar, instalar, operar o mantener la unidad.

- **Lea y guarde estas instrucciones. No deseche estas instrucciones**
- **Complete el montaje de la unidad antes de intentar operar.**
- La interferencia con el funcionamiento de este enfriador de cualquier manera no prescrita por estas instrucciones podría causar un problema de seguridad y anulará cualquier garantía.

ADVERTENCIA:

- No utilice el enfriador en superficies irregulares o inestables.
- No llene demasiado. Utilice solo agua.
- No opere el enfriador sin el panel de filtro trasero.
- No inserte ningún objeto extraño o partes del cuerpo en la entrada o salida de aire, de lo contrario pueden ocurrir lesiones corporales o daños a la propiedad.
- No lo utilice inmediatamente adyacente a fuentes de calor como estufas o radiadores.
- No lo use inmediatamente junto a fuentes de agua, como piscinas, jacuzzis, bañeras, duchas, lavabos u otros líquidos.
- No opere este producto cerca de una llama abierta o el producto podría encenderse y provocar un incendio, lo que provocaría lesiones corporales o daños a la propiedad.
- No opere en áreas donde se use o almacene gasolina, pintura u otros líquidos o vapores inflamables.

ADVERTENCIA:

- Todas las conexiones eléctricas deben cumplir con las normas locales de construcción y seguridad y deben ser realizadas por personal calificado.
- El cable de alimentación debe conectarse directamente a un receptáculo eléctrico protegido por GFCI de 120 VCA +/- 10%, 60 Hz, monofásico únicamente con conexión a tierra. Asegúrese de que los interruptores de encendido estén en la posición de apagado antes de conectar y operar su enfriador.
- No utilice este producto con ningún dispositivo de control de velocidad de estado sólido. Keep the cord away from heated surfaces.
- No opere el enfriador con un cable, enchufe u otros componentes dañados.
- No pise ni pase el cable de alimentación con objetos pesados o afilados.
- No coloque el cable de alimentación debajo de una alfombra u otro revestimiento del piso. Coloque el cable lejos del área de tráfico y donde no se pueda tropezar.
- No utilice el cable de alimentación con un enchufe adaptador que convierta el enchufe de 3 clavijas en un conector de 2 clavijas.

- Si el cable de alimentación está dañado, debe ser reemplazado por un agente de servicio o personal calificado para evitar el riesgo de lesiones corporales o daños a la propiedad.
- Retire el enchufe del tomacorriente tirando del enchufe y no del cable.
- Utilice únicamente electricistas calificados para reemplazar o reparar interruptores o motores eléctricos y componentes de este enfriador.
- Si está dañado, deseche el enfriador o devuélvalo a un centro de servicio autorizado para su examen y / o reparación.
- Desenchufe o desconecte el aparato de la fuente de alimentación antes de darle servicio.

WARNING:

- Siempre desenchufe el cable de alimentación del tomacorriente de la pared cuando el enfriador de aire no esté en uso, antes de agregar agua, antes de limpiar, antes de quitar la almohadilla de enfriamiento, antes del mantenimiento y reemplazo de piezas, o antes de trasladarse a otro lugar para el servicio.
- No enchufe el cable a la toma de corriente con las manos mojadas o podría producirse una descarga eléctrica. Lo mismo se aplica a la desconexión.
- Nunca lave el gabinete de la unidad con una manguera de jardín. el agua puede dañar el motor y el sistema eléctrico.
- Nunca intente desmontar o alterar el producto de ninguna manera que no se indique en este manual. Pueden producirse descargas, incendios o lesiones corporales.
- No permita que los niños operen o den servicio a este enfriador.

ADVERTENCIA:

El agua estancada puede provocar el crecimiento de bacterias y graves problemas de salud. No permita que quede agua estancada en el tanque.

- Drene y limpie el tanque de agua antes del almacenamiento, después del uso estacional y siempre que la unidad no se use a diario.

2. Descripción del producto

El enfriador de aire evaporativo es un producto eficiente que ahorra energía. Se enfría combinando la evaporación del agua con el movimiento del aire, a través de equipos cuidadosamente diseñados y fabricados, que brindan la máxima eficiencia y seguridad.

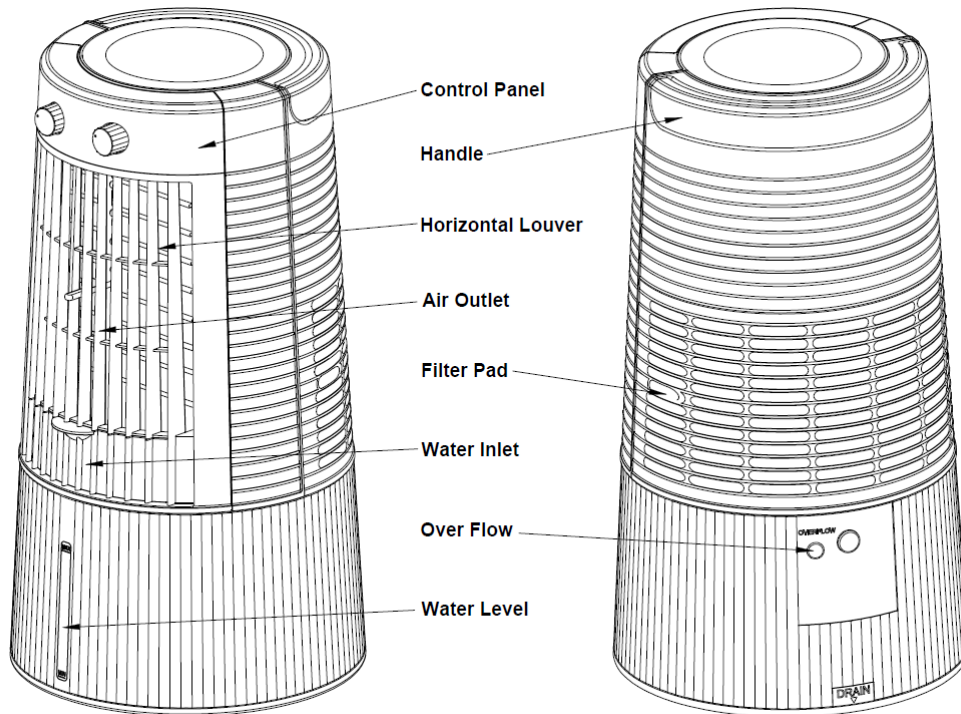
La tecnología de enfriamiento evaporativo es muy económica y ofrece una serie de beneficios adicionales en comparación con los sistemas de aire acondicionado tradicionales para hogares y empresas. El sistema no utiliza refrigerantes ni compresores; se enfría simplemente moviendo el aire a través de una superficie compuesta de almohadillas de enfriamiento evaporativo especialmente diseñadas.

El agua absorbe el calor del aire de entrada. La temperatura del aire de salida resultante desciende cuando el agua se transforma en gas. No se percibe la humedad, ya que el aire de la habitación se renueva aproximadamente cada dos minutos, mientras se crea un agradable efecto de enfriamiento. La circulación continua de aire es un aspecto vital del proceso de enfriamiento por evaporación utilizado en este equipo y le da una clara ventaja sobre el aire acondicionado por refrigeración.

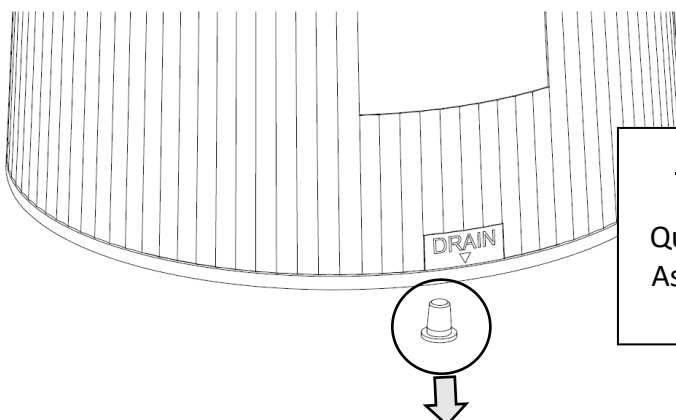
3. Desembalaje

Maneje la unidad con cuidado. Inspeccione visualmente por daños durante el envío. Si alguna pieza está dañada, presente inmediatamente una reclamación al transportista.

4. Especificaciones del producto



Modelo	Durango Portable Cooler Duet
voltaje	110-120 VAC, 60 Hz, 1 phase
Amperaje	0.7A
Capacidad del tanque	1.6 gal (6 L)
Unidad de peso	10 lbs kg)
Dimensiones: pulgadas (cm)	H: 18.5" (47 cm) X W: 10" (25.4 cm) X D: 10" (25.4 cm)

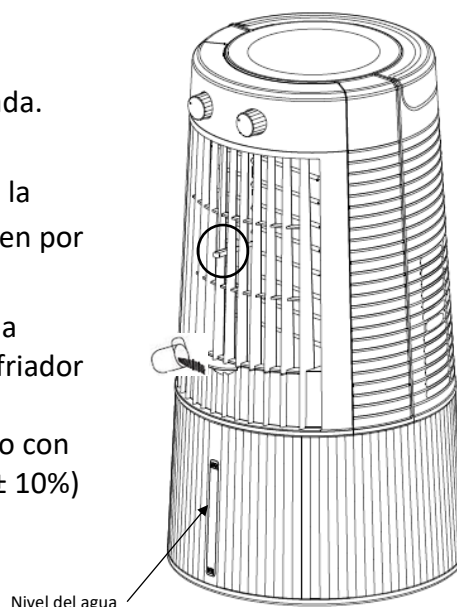


El tapón de drenaje está ubicado debajo del enfriador en la parte posterior.
Quite el tapón de drenaje para vaciar el tanque. Asegúrese de que el tapón de drenaje esté bien colocado antes de volver a llenar el tanque.

5. Conexión e instalación eléctrica

Revise y comprenda las advertencias de la sección Información general de seguridad, páginas 2 y 3.

1. Instale el enfriador en una superficie plana y nivelada.
2. Luminaria ajustable hacia arriba y hacia abajo: las luminarias arriba y abajo se pueden ajustar usando la pestaña sobresaliente como se muestra en la imagen por círculo
3. Agregue agua limpia al tanque de agua. Verifique la ventana de nivel de agua en la parte frontal del enfriador para ver cuando el tanque de agua está lleno.
4. Enchufe la unidad en un tomacorriente monofásico con conexión a tierra protegido con GFCI de 120 VCA ($\pm 10\%$) 60 Hz.



6. Operación

Panel de control



Hay 2 botones de control en el panel. La perilla izquierda controla la potencia y la velocidad del ventilador de la unidad. La otra perilla controla el enfriamiento y la oscilación.

Los números 2, 3 y 4 son velocidades de ventilador alta, media y baja.

No 5 ❄️ - es para la función Cool que enciende la bomba.

No 6 ❄️ 🔄 - Mantiene la bomba encendida y enciende la función de oscilación.

No 7 🔄 - es solo swing. En esta función apaga la bomba.

Requisitos de renovación de aire:

Cuando su enfriador está funcionando, es importante dejar una ventana o puerta abierta para mantener un flujo de aire constante y evitar la acumulación de humedad y calor. Su enfriador evaporativo no enfría correctamente cuando el flujo de aire no puede salir de una habitación. Esto provoca una disminución en la eficiencia de enfriamiento debido a un aumento de la humedad. Por lo tanto, se requiere una abertura de al menos 1 pie cuadrado por cada 500 CFM de aire inyectado.

7. Mantenimiento

⚠ ADVERTENCIA

El agua estancada puede provocar el crecimiento de bacterias y graves problemas de salud.

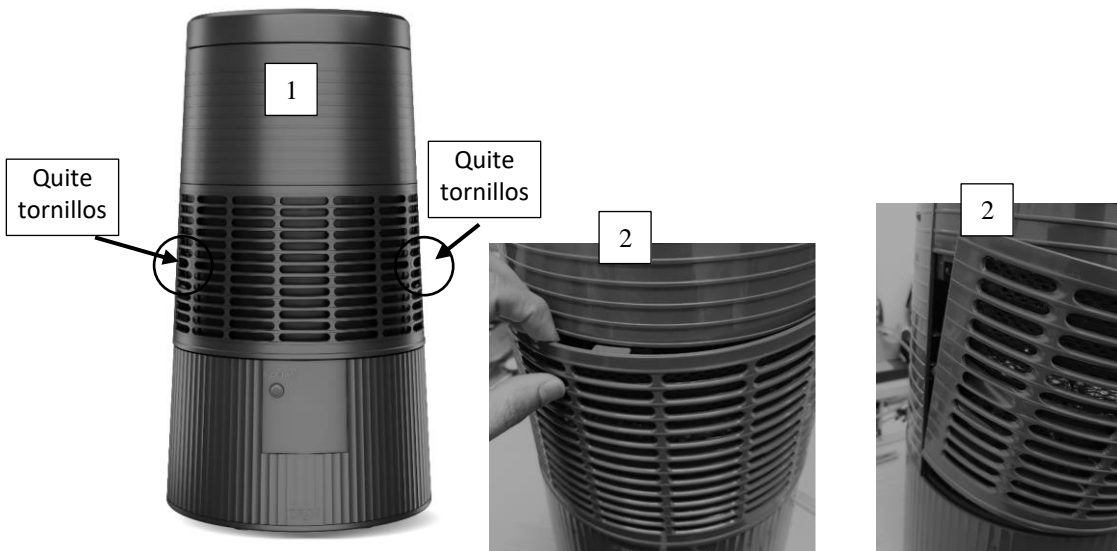
No permita que quede agua estancada en el tanque.

Drene y limpie el tanque de agua antes del almacenamiento, después del uso estacional y siempre que la unidad no se use durante un período prolongado.

Cambiar las almohadillas de filtro:

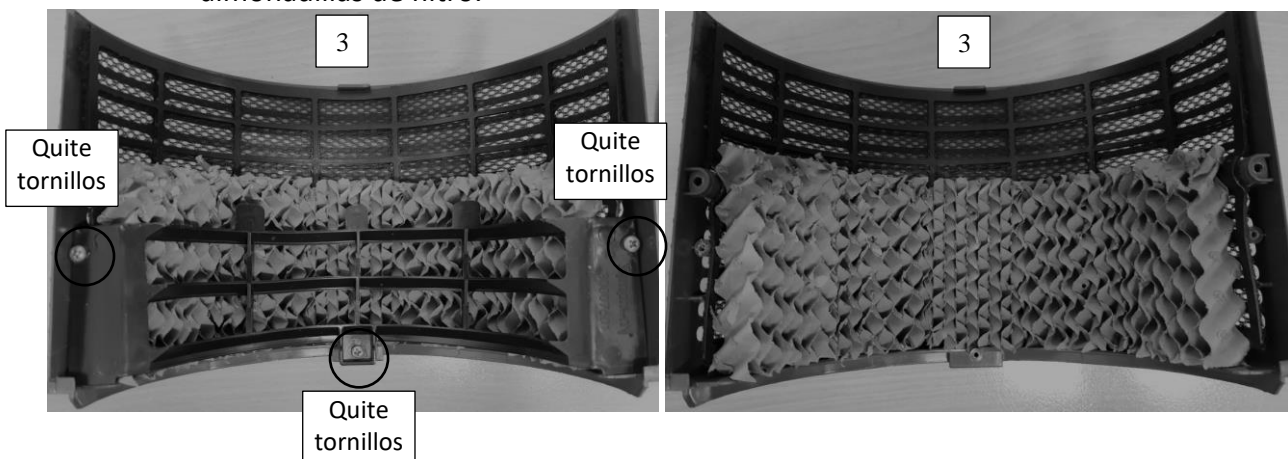
Siga las instrucciones a continuación para cambiar las almohadillas de filtro.

- 1- Retire los dos tornillos (como muestran las flechas).

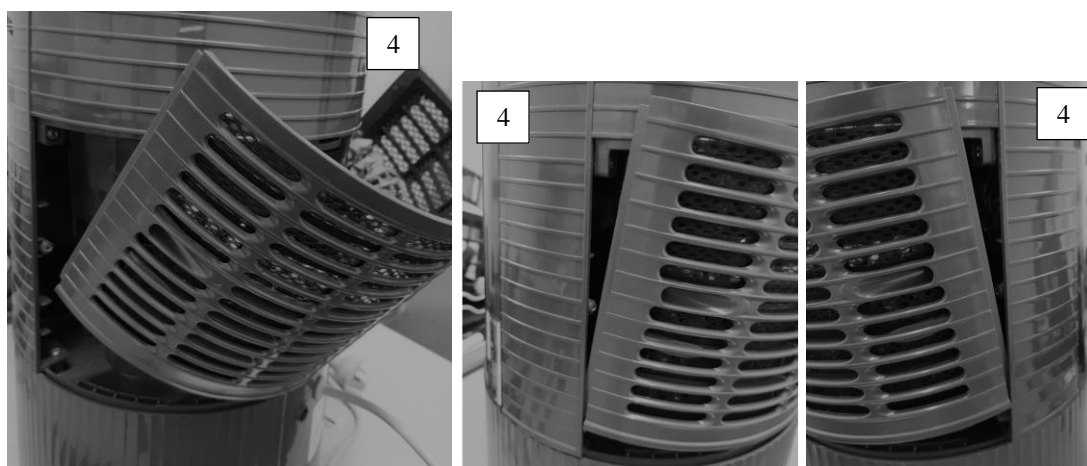


- 2- Tire del panel desde la parte superior como se muestra en la imagen.

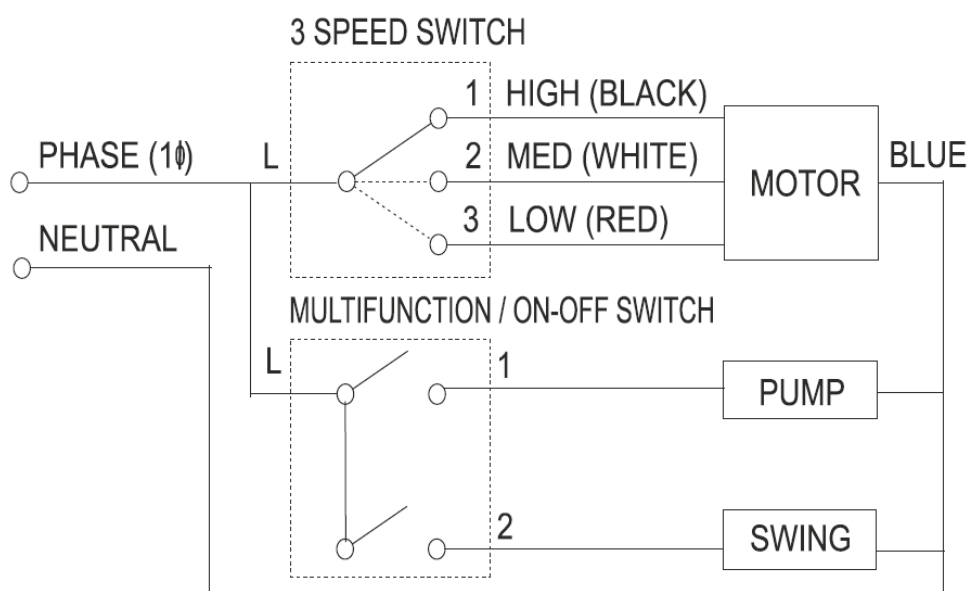
- 3- Las almohadillas de filtro están aseguradas por un soporte con 3 tornillos, retire 3 tornillos como se muestra para poder quitar la almohadilla de filtro, reemplace las almohadillas de filtro.



- 4- Montar en orden inverso, asegurándose de que los paneles estén colocados correctamente sin dejar huecos ni lengüetas en el exterior.



8. Diagrama de cableado



10. Solución de problemas

Problema	Razón	Solución
Sin flujo de aire	<ol style="list-style-type: none"> 1. La energía no está conectada. 2. La energía no está encendida. 3. Cuerpo dañado. 	<ol style="list-style-type: none"> 1. Enchufe el cable de alimentación correctamente. 2. Presione el botón Air Speed para comenzar. 3. Regrese al Centro de Servicio.
Sonido anormal	<ol style="list-style-type: none"> 1. Artículo extranjero dentro del cuerpo de la unidad. 2. Ventilador de aire suelto. 3. Defecto del motor. 	<ol style="list-style-type: none"> 1. Retire la cubierta trasera y la almohadilla húmeda, retire los artículos extraños. 2. Regrese al Centro de Servicio. 3. Regrese al Centro de Servicio.
Sin evaporación / enfriamiento	<ol style="list-style-type: none"> 1. El tanque de agua está obstruido. 2. Otra causa. 	<ol style="list-style-type: none"> 1. Limpiar el tanque de agua. 2. Regrese al Centro de Servicio.
La dirección del flujo de aire no se puede controlar	El motor de giro está averiado.	Regresar al Centro de Servicio

11. Declaración de conformidad del proveedor

- a. Este dispositivo cumple con la parte 15 de las reglas de la FCC.
- b. Proveedor responsable listado según SDoC:
Bonaire USA LLC.

12. Garantía

Declaración de garantía del producto (EE. UU.)

1. Garantía

Sujeto a las Condiciones y Exclusiones, Climate Technologies Pty Ltd proporciona al comprador original la siguiente garantía:

Climate Technologies Pty Ltd garantiza estos electrodomésticos: Bonaire Durango Duet, por un período de una años (solo partes) a partir de la fecha de compra. Durante este período, un aparato defectuoso o piezas defectuosas serán reparadas o reemplazadas sin cargo a elección de Climate Technologies Pty Ltd. Además, se aplica la garantía de por vida para piezas de corrosión del gabinete en el gabinete de la unidad.

Climate Technologies Pty Ltd, no ofrece garantías, representaciones o promesas en cuanto a la calidad o el desempeño de sus enfriadores evaporativos que no sean las específicamente establecidas en esta garantía.

2. Condiciones y exclusiones

- a) La garantía solo cubre refrigeradores portátiles suministrados por Climate Technologies Pty Ltd y comprados en EE. UU.
- b) La garantía no cubre los componentes de instalación que puedan estar conectados al producto fabricado por Climate Technologies Pty Ltd. Estos pueden incluir, entre otros, elementos como conductos, conductos de humos, rejillas, tuberías, etc. Estos elementos siguen siendo responsabilidad exclusiva del instalador / propietario.
- c) Esta garantía solo es válida si el electrodoméstico se instala y opera de acuerdo con las instrucciones del fabricante y para el propósito diseñado y previsto en la fase, voltaje y frecuencia nominados.
- d) La idoneidad del producto para el propósito y el diseño / dimensionamiento general del sistema son responsabilidad exclusiva del instalador / propietario. Esto incluye, entre otros, cálculos de carga térmica, flujo de aire, equilibrio del sistema, humedad, calidad del agua, etc.
- e) El uso industrial o comercial de este producto anulará la garantía. El aparato está diseñado para uso doméstico únicamente.
- f) El producto debe ser instalado por una persona calificada de la manera prescrita por las regulaciones locales y legales y según las especificaciones del fabricante.
- g) La garantía solo se otorgará cuando el comprador original proporcione un comprobante de compra y Climate Technologies Pty Ltd esté satisfecho de que el electrodoméstico se encuentra dentro del período de garantía.

- h) No se proporcionará garantía cuando, en opinión de Climate Technologies Pty Ltd:
- i. No hay ningún problema con el aparato..
 - ii. El funcionamiento defectuoso del aparato se debe a una falla en el suministro de electricidad o agua.
 - iii. Los defectos son causados por negligencia, aplicación incorrecta, abuso, desgaste normal o daño accidental del aparato.
 - iv. Una persona no autorizada ha intentado reparar el aparato.
 - v. El aparato ha sido cambiado o modificado de alguna manera.
 - vi. Surge una situación a la que se hace referencia en la guía de resolución de problemas.
- i) Los daños causados por elementos como el viento, la lluvia, la iluminación, las inundaciones, etc., junto con los picos de energía y las caídas de tensión, no se consideran materiales o mano de obra defectuosos y, como tales, no están cubiertos por nuestra garantía.
- j) Si no existe un certificado de cumplimiento para trabajos de plomería o electricidad, Climate Technologies Pty Ltd se reserva el derecho de rechazar la garantía en instalaciones que no cumplan con los requisitos.
- k) No se aceptará ninguna responsabilidad por elementos externos como plagas, animales, mascotas y alimañas que puedan causar daños a la unidad.
- l) No están cubiertas las situaciones ambientales adversas, como el aire salado, que pueden causar daños.
- m) No se acepta responsabilidad u obligación por daños al contenido, alfombras, paredes, techos, cimientos o cualquier otra pérdida o daño consecuente de cualquier naturaleza, ya sea directo o indirecto, que resulte de la instalación, operación o mal uso del aparato.
- n) Las piezas reemplazadas bajo garantía están garantizadas por el resto del período de garantía original.
- o) Todas las garantías son intransferibles.
- p) Los beneficios conferidos por esta garantía son adicionales a las garantías y otros derechos con respecto al aparato, que el consumidor tiene bajo las leyes estatales y federales. Esta garantía debe leerse sujeta a esa legislación y nada en esta garantía tiene el efecto de excluir, restringir o modificar esos derechos.

3. Cómo obtener servicio

Sujeto a las condiciones y exclusiones mencionadas anteriormente, Climate Technologies Pty Ltd reparará o reemplazará (a su discreción) cualquier enfriador evaporativo que, después de un examen, se determine que está defectuoso durante la duración de la garantía descrita en la sección "Garantía". Lleve el enfriador evaporativo que necesita servicio al mostrador de servicio especial del minorista autorizado más

cercano. También se debe incluir una copia del comprobante de reemplazo anterior si corresponde. Conserve los documentos originales para referencia futura.

El minorista autorizado y Climate Technologies Pty Ltd evaluarán su producto y la documentación proporcionada para confirmar que la garantía limitada de 1 año sigue siendo válida. Si se encuentra algún artículo en la sección "Condiciones y exclusiones", entonces la garantía limitada de 1 año es nula y sin efecto. Un código de serie de producto válido y legible también debe estar visible para obtener servicio bajo la garantía limitada de 1 año del enfriador evaporativo de Climate Technologies Pty Ltd. Si el minorista autorizado y Climate Technologies Pty Ltd consideran que un producto no puede ser reparado y es necesario reemplazarlo, Climate Technologies Pty Ltd. le enviará sin cargo un producto similar de igual o mayor valor.

4. Climate Technologies Pty Ltd

Climate Technologies Pty Ltd es una empresa constituida en Australia (A.C.N. número 001418 042). La referencia a Climate Technologies Pty Ltd incluye a sus distribuidores autorizados.

Garantía para piezas de repuesto

Las piezas reemplazadas bajo garantía están garantizadas por el resto del período de garantía original del enfriador.

Comprobante de compra

Adjunte aquí su comprobante de compra. Su recibo es su garantía y será necesario para validar cualquier garantía.

Información del distribuidor / producto

Distribuidor / Minorista:	
La dirección:	
Número de teléfono:	
Número de modelo de la unidad:	
Número de serie:	

LA ACEPTACIÓN DE LOS REMEDIOS EXCLUSIVOS DE REPARACIÓN Y REEMPLAZO DESCRITOS AQUÍ ES UNA CONDICIÓN DEL CONTRATO PARA LA COMPRA DE CADA PRODUCTO DE REFRIGERADOR EVAPORATIVO DE CLIMATE TECHNOLOGIES PTY LTD. LOS DETALLES DE ESTA GARANTÍA LIMITADA ESTÁN SUJETOS A CAMBIOS SIN PREVIO AVISO. SI NO ESTÁ DE ACUERDO CON ESTA CONDICIÓN, NO DEBE COMPRAR EL PRODUCTO. EN NINGÚN CASO CLIMATE TECHNOLOGIES PTY LTD SERÁ RESPONSABLE DE CUALQUIER DAÑO INCIDENTAL, ESPECIAL, CONSECUENTE O PUNITIVO, O DE CUALQUIER COSTOS, HONORARIOS DE ABOGADOS, GASTOS, PÉRDIDAS O RETRASOS ALEGADOS COMO CONSECUENCIA DE CUALQUIER DAÑO O FALLA, EN CUALQUIER PRODUCTO, INCLUYENDO, PERO NO LIMITADO A, CUALQUIER RECLAMO POR PÉRDIDA O GANANCIAS. ALGUNOS ESTADOS NO PERMITEN LA EXCLUSIÓN O LIMITACIÓN DE DAÑOS INCIDENTALES O CONSECUENTES, POR LO QUE LA

LIMITACIÓN O EXCLUSIÓN ANTERIOR PUEDE NO SER APLICABLE EN SU CASO. ESTA GARANTÍA ES EXCLUSIVA Y SUSTITUYE A TODAS LAS DEMÁS GARANTÍAS EXPRESAS, ESCRITAS U ORALES. EN LA MEDIDA PERMITIDA POR LA LEY, CLIMATE TECHNOLOGIES PTY LTD RENUNCIA A CUALQUIER GARANTÍA IMPLÍCITA, INCLUYENDO, SIN LIMITACIÓN, CUALQUIER GARANTÍA IMPLÍCITA DE COMERCIALIZACIÓN O IDONEIDAD PARA UN USO O PROPÓSITO EN PARTICULAR; EN LA MEDIDA EN QUE DICHA RENUNCIA NO ESTÉ PERMITIDA POR LA LEY, DICHAS GARANTÍAS IMPLÍCITAS SE LIMITAN A LA DURACIÓN DE LA GARANTÍA EXPRESA APLICABLE COMO SE DESCRIBE ANTERIORMENTE. ALGUNOS ESTADOS NO PERMITEN LIMITACIONES SOBRE LA DURACIÓN DE UNA GARANTÍA IMPLÍCITA, POR LO QUE LA LIMITACIÓN ANTERIOR NO SE APLICA A USTED. ESTA GARANTÍA LE OTORGA DERECHOS LEGALES ESPECÍFICOS Y TAMBIÉN PUEDE TENER OTROS DERECHOS QUE VARIAN DE UN ESTADO A OTRO.
