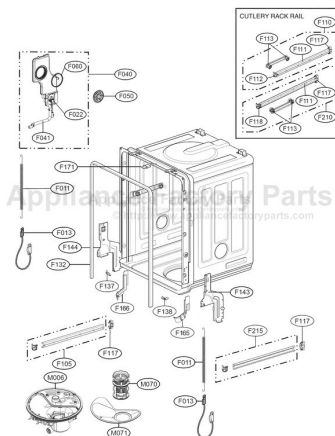


This Owner's Manual is provided and hosted by [Appliance Factory Parts](http://ApplianceFactoryParts.com).



LG LDF7774ST Owner's Manual

[Shop genuine replacement parts for LG LDF7774ST](#)



[Find Your LG Dishwasher Parts - Select From 175 Models](#)

----- Manual continues below part list -----

Available Replacement Parts for LG LDF7774ST

3920DD3005A	Gasket
3920ED4009B	PACKING
4370ED3006A	NOZZLE PIN
4581DD3003B	Roller Assembly
4681ED3001D	DIVERTER MOTOR ASSEMBLY WM
4930DD3003A	HOLDER
4930DD3005B	HOLDER
4933DD3001B	HINGE/DOOR CABLE
4986DD3003A	GASKET
ABT35083801	CASING ASSEMBLY
4970ED4004G	SPRING HINGE
5005DD1001B	BASKET SPOON
4581DD3002A	Roller Assembly
3550ED0001K	COVER FRONT
AEC73278201	Guide Assembly
AEM69493808	HOSE ASSEMBLY DRAIN
AGB73093001	NOZZLE ASSEMBLY
AHB32983760	RACK ASSEMBLY(OVDM)
MCU61861001	Dishwasher Dispenser Mcu61861001
MEG62279201	HOLDER
3751DD1001J	Rack assembly
ADQ73234005	FILTER ASSEMBLY MESH
ABQ73503004	DRAIN PUMP
EAU62043401	Motor Assembly,dc,pump
3920DD3002B	PACKING
4830ED4001B	BUSHING



DISHWASHER

SERVICE MANUAL

NOTE

BEFORE SERVICING THE UNIT, PLEASE READ THIS MANUAL CAREFULLY FOR SAFETY AND CORRECT SERVICES.

For Authorized Service Technician

MODEL : LDF8874ST
LDF8764ST
LDF7774ST/WW/BB
LDS5774ST

CONTENTS

1. CAUTION.....	4
2. SPECIFICATIONS	5
3. FEATURES & TECHNICAL EXPLANATION	6
4. PARTS NAME	15
5. PROGRAM CHART	16
6. HOW TO DISASSEMBLE	18
7. TROUBLE SHOOTING METHODS.....	27
A. TROUBLE SHOOTING ACCORDING TO DISPLAYED ERROR MESSAGE.....	27
B. STEAM GENERATOR ERROR MESSAGE	29
C. TROUBLE DIAGNOSES AND REPAIR BY SYMPTOM	42
8. INSTALLATION INSTRUCTION	46
9. EXPLODED VIEW	53
10. WIRING DIAGRAM	67

CAUTION !

- DISCONNECT POWER CORD BEFORE SERVICING
- RECONNECT ALL GROUNDING DEVICES

IMPORTANT SAFETY NOTICE !

This service information is intended for individuals possessing adequate backgrounds of electrical, electronic and mechanical experience.

Any attempt to repair this appliance may result in personal injury and property damage.

The manufacturer or seller can not be responsible for the interpretation of this information, nor can it assume any liability in connection with its use.

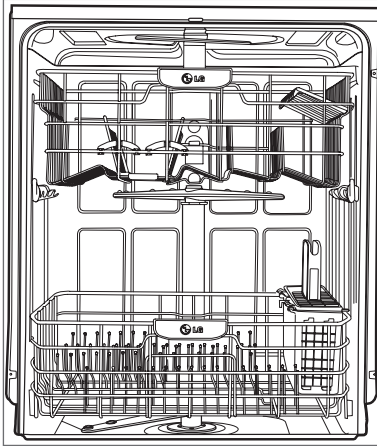
2. SPECIFICATION

ITEM	SPECIFICATION
Rated Voltage / Frequency	AC 120V/60Hz
Installation	Built-In
Place Settings	14
Product Dimension(in)	23 3/4"x 24 5/8"x 33 1/2"
Product Weight(lbs)	114lbs
Door Color	White, Black, Stainless, Black Diamond
Tub Material	Stainless Steel
Control	Electronic
Rated Power(Watt)	1,350
Heater Power(Watt)	1,200
Programs	6 (LDS5774 : 7), (LDT9965 : 5)
Upper Rack Position	Adjustable
Lower Rack	100 % Fold down
Water Consumption (ℓ)	6.5 – 20.5 (Normal)
Power Consumption(kWh/year)	258 (Normal)
Operating Time (min)	110 – 130 (Normal)
Fan Dry System	Yes
Delay Start Function	Yes
Auto-Off Power Switch	Yes
Process Monitor	Yes
Wash Level	5
Racks	Nylon Coating
Operating Water Pressure (Bar)	20-120 (140-830kPa)

3. FEATURES & TECHNICAL EXPLANATION

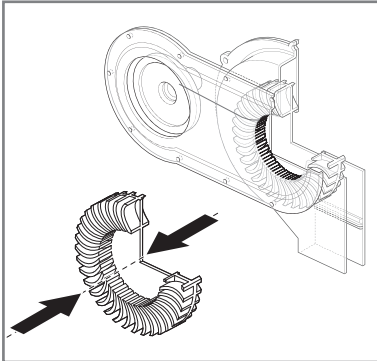
3-1. Product Features

LARGE CAPACITY



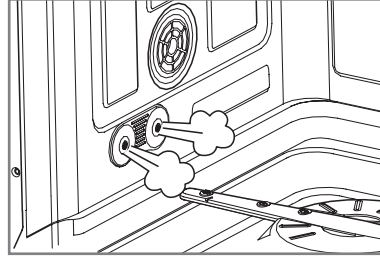
LG dishwashers allow you to load very large items in both the upper and lower racks. The tall tub provides extra overall capacity and the clearance to accommodate large dishes. Extra large items (max. 14 in.) may be loaded in the lower rack by raising the upper rack.

HYBRID DRYING SYSTEM



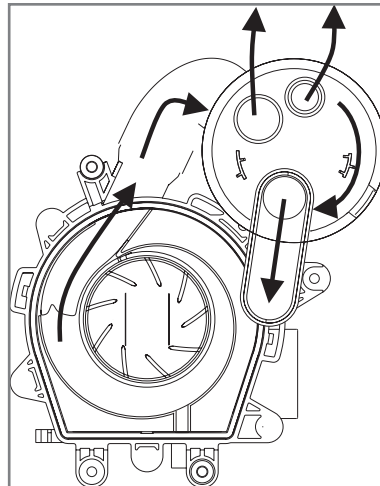
This system effectively dries dishes without the use of a heating element that would increase energy consumption.

STEAM WASHING (not available on all models)



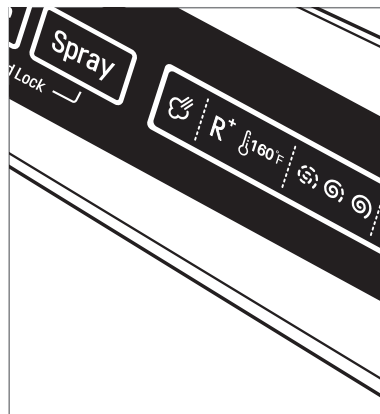
Steam technology provides better cleaning performance than regular wash systems. Steam is the most energy efficient gentle care for your finest china and stemware.

VARIABLE SPRAY SYSTEM



Because the water spray alternates between the upper and lower racks, all of the power from the motor is directed to one rack at a time. This concentrates all the cleaning power of the motor on each rack in turn.

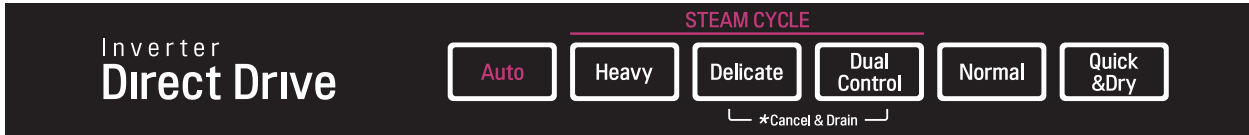
LIGHT TOUCH BUTTONS



The light touch buttons on the control panel make selections easy and convenient.

3-2. Display Panel

CONTROL PANEL (steam models)



Steam Models (LDF8874, LDF8764)

Cycles

Select your desired cycle.

Auto

This cycle senses the load size, soil amount and soil toughness. This cycle is optimized to achieve the best cleaning.

Heavy

This cycle is for heavily and hard soiled dishes. Heavy defaults to the highest spray intensity and uses the power of steam to wash heavily soiled dishes.

Delicate

This cycle adds the gentle power of steam to boost the cleaning power of the delicate cycle. The cycle is intended for effectively cleaning delicate items such as fine china and stemware.

Dual Control

This cycle washes the upper and lower racks at different spray intensities. The default setting for this cycle washes the lower rack with strong spray intensity and the upper rack with soft spray intensity. This provides optimum cleaning performance for mixed loads, including fine china and stemware. If other combinations are desired, use the steps listed below to change the intensities or to use the Half Load feature.

How To Use Dual Control:

1. Select Dual Control.
2. Press the Spray button to toggle between Soft, Medium and Strong for the upper spray arm.
3. After making your selection for the upper spray arm, press the Half Load button.
4. Press the Spray button to toggle between Soft, Medium and Strong for the lower spray arm.
5. Close the door to start the cycle.

Normal

This cycle is for normally soiled, everyday loads.

Quick & Dry

This is a shortened cycle that is intended for washing and drying recently used dishes or lightly soiled loads. During this cycle, both spray arms will run at the same time.

CHIME ON/OFF

To enable or disable the chime, first, turn on the dishwasher. Press and hold the Delicate and Quick&Dry Buttons simultaneously for approximately three seconds.

TO CANCEL A CYCLE

To cancel a cycle, open the door and then press and hold the Delicate and Dual Control Buttons together for approximately three seconds. The drain pump will activate and the cycle will cancel. The display will show "dr" and the dishwasher will drain the water. After the dishwasher is drained, the power will turn off.

If the power is turned on and no cycle has been selected, the dishwasher will power off within four minutes.

Cycle Options

(Refer to the control panel on the next page)

Press the desired cycle and then select the options for that cycle.

Extra Dry

Select the Extra Dry option for better drying performance. This option adds 60 minutes of extra drying time to the cycle. The Extra Dry button will illuminate when the option has been selected.

Rinse

Repeated pressing of the Rinse button will select the desired Rinse option. The Sanitary, Extra Rinse, or Sanitary and Extra Rinse lights will show in the bottom left portion of the display.

Sanitary (160°F)

This high-temperature rinse sanitizes dishes and glassware in accordance with NSF/ANSI Standard 184 for residential dishwashers. Certified dishwashers are not intended for licensed food establishments.

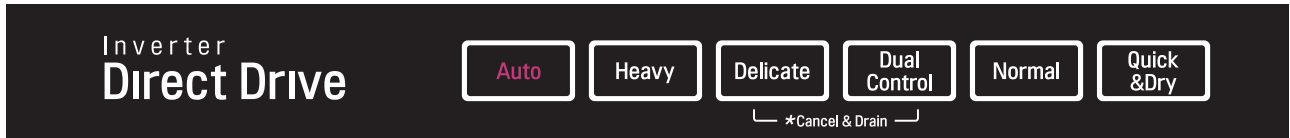
Extra Rinse (R⁺)

The Extra Rinse symbol indicates that an extra rinse has been added to the cycle. An extra rinse can help reduce hard water spotting on dishes. To add an extra rinse, press the Rinse button repeatedly until the Extra Rinse symbol appears in the display.

Rinse Only (LDF****)

This cycle is a quick rinse for dishes that will not be washed immediately. This cycle will rinse dishes that have excess soil to soften dried on residue. Rinsing the dishes will help prevent odors in the dishwasher. No detergent should be used. To select the Rinse Only cycle, turn the dishwasher on, and press the Rinse button once without pressing any other cycle buttons. The Rinse Only cycle is not available with any other cycles.

CONTROL PANEL (non-steam models)



Display varies by model (LDF7774)



Display varies by model (LDS5774)

Cycles

Select your desired cycle.

Auto

This cycle senses the load size, soil amount and soil toughness. This cycle is optimized to achieve the best cleaning.

Heavy

This cycle is for heavily and hard soiled dishes.

Delicate

The cycle is intended for effectively cleaning delicate items such as fine china and stemware.

Dual Control

This cycle washes the upper and lower racks at different spray intensities. The default setting for this cycle washes the lower rack with strong spray intensity and the upper rack with soft spray intensity. This provides optimum cleaning performance for mixed loads, including fine china and stemware. If other combinations are desired, use the steps listed below to change the intensities or to use the Half Load feature.

How To Use Dual Control:

1. Select Dual Control.
2. Press the Spray button to toggle between Soft, Medium and Strong for the upper spray arm.
3. After making your selection for the upper spray arm, press the Half Load button.
4. Press the Spray button to toggle between Soft, Medium and Strong for the lower spray arm.
5. Close the door to start the cycle.

Normal

This cycle is for normally soiled, everyday loads.

Quick & Dry

This is a shortened cycle that is intended for washing and drying recently used dishes or lightly soiled loads. During this cycle, both spray arms will run at the same time.

Rinse Only (LDS5774)

This cycle is a quick rinse for dishes that will not be washed immediately. This cycle will rinse dishes that have excess soil to soften dried on residue. Rinsing the dishes will help prevent odors in the dishwasher. No detergent should be used.

CHIME ON/OFF

To enable or disable the chime, first, turn on the dishwasher. Press and hold the Delicate and Quick&Dry Buttons (LDS5774: Spray and Delay Start) simultaneously for approximately three seconds.

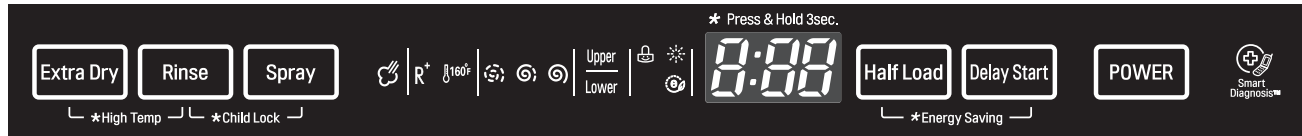
TO CANCEL A CYCLE

To cancel a cycle, open the door and then press and hold the Delicate and Dual Control Buttons (LDS5774: Spray and Half Load) together for approximately three seconds. The drain pump will activate and the cycle will cancel. The display will show "dr" and the dishwasher will drain the water. After the dishwasher is drained, the power will turn off.

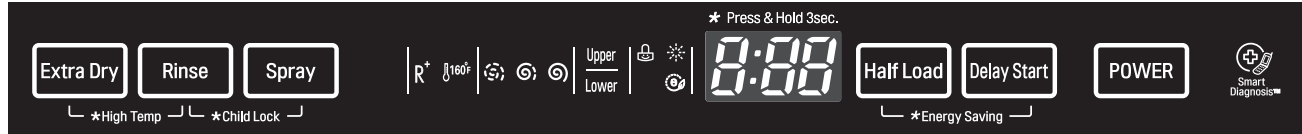
If the power is turned on and no cycle has been selected, the dishwasher will power off within four minutes.

LDF8874 / LDF8764 / LDF7774

CONTROL PANEL



Display varies by model (LDF8874, LDF8764)



Display varies by model (LDF7774)

Spray (INTENSITY)

First, select the desired cycle. Press the Spray button repeatedly until the desired spray intensity is selected.

Soft (☼), Medium (☼), Strong (☼)

Half Load

For small loads, you may use just the upper or lower rack to save energy. Each press of the Half Load button cycles between upper rack only and lower rack only.

Delay Start

The Delay Start feature allows you to delay the start of a selected cycle. Each time the Delay Start button is pressed, the delay time will increase an hour. The delay start time can be set from 1 to 19 hours, in one-hour increments.

High Temp ON/OFF

Raises the main wash temperature to improve cleaning. Press and hold the Extra Dry and Rinse buttons simultaneously for approximately three seconds.

Child Lock

The Child Lock feature helps prevent your settings from being changed during a cycle. Selecting this feature locks all of the buttons, except for the POWER button, on the control panel. This feature does not lock the door.

To activate the Child Lock:

1. Open the dishwasher door.
2. Press the POWER button.
3. Select the cycle (and desired options).
4. Press and hold the Rinse and Spray buttons for three seconds. The Child Lock indicator will illuminate in the display once the Child Lock is activated.
5. Close the door to begin the cycle.

Digital Display

The Digital Display on the control panel shows the ESTIMATED cycle time. When the dishwasher is powered up, the display will be blank. When the cycle and options are selected, the display will show the total estimated time to complete those selections. During operation, the display shows the remaining estimated operating time.

NOTE

- The estimated time shown in the display does not include delay times for heating water, etc.
- If Delay Start is selected, the display shows the delay time in hours.
- Time may vary depending on the soil level of your load.

Energy Saving

The Energy Saving option saves energy by using less water. This option should only be used with light to medium soiled dishes.

NOTE

The RINSE AID symbol  indicates that the rinse aid needs to be refilled.

POWER

- Press the POWER button to turn on the control panel. If no cycle is selected within four minutes, the dishwasher will power off.
- After the cycle is complete, the power automatically turns off for purposes of safety and economy.
- If there is a power surge, power outage, or disruption of any kind, the PF indicator will display and power will be automatically turned off for safety. The cycle will need to be restarted.

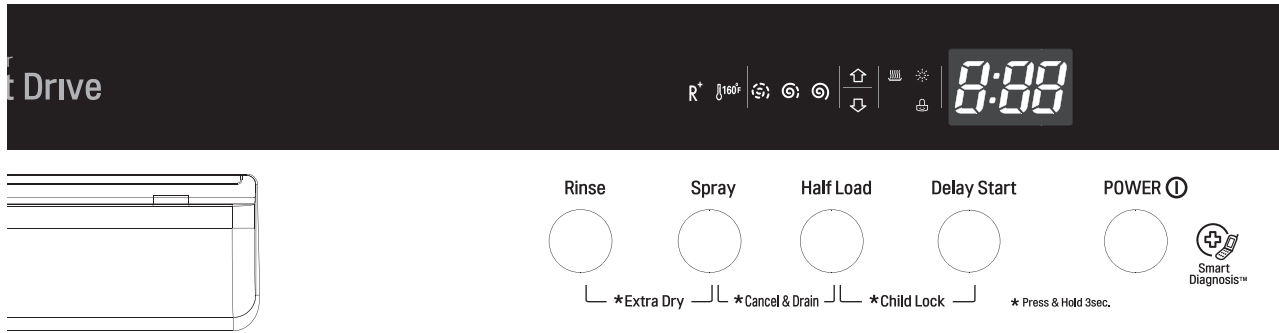
Smart Diagnosis

Should you experience any problems with your dishwasher, it has the capability of transmitting data to your Smart Phone using the LG Smart Laundry & DW Application or via your telephone to the LG call center.

WARNING

Steam can cause burns. Use caution in the area of the steam nozzle, on the left side of the dishwasher, if the door is opened during the steam portion of a cycle. Contact with the steam or the steam nozzle can cause burns.

CONTROL PANEL



Display varies by model (LDS5774)

Cycle Options

Press the desired cycle and then select the options for that cycle.

Extra Dry ()

Select the Extra Dry option for better drying performance. This option adds 60 minutes of extra drying time to the cycle. The Extra Dry button will illuminate when the option has been selected. Press and hold the Rinse and Spray buttons for three seconds.

Rinse

Repeated pressing of the Rinse button will select the desired Rinse option. The Sanitary, Extra Rinse, or Sanitary and Extra Rinse lights will show in the bottom left portion of the display.

Sanitary ()



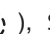
This high-temperature rinse sanitizes dishes and glassware in accordance with NSF/ANSI Standard 184 for residential dishwashers. Certified dishwashers are not intended for licensed food establishments.

Extra Rinse ()

The Extra Rinse symbol indicates that an extra rinse has been added to the cycle. An extra rinse can help reduce hard water spotting on dishes. To add an extra rinse, press the Rinse button repeatedly until the Extra Rinse symbol appears in the display.

Spray (INTENSITY)

First, select the desired cycle. Press the Spray button repeatedly until the desired spray intensity is selected.

Soft (), Medium (), Strong ()

Half Load ()

For small loads, you may use just the upper or lower rack to save energy. Each press of the Half Load button cycles between upper rack only and lower rack only.

Delay Start

The Delay Start feature allows you to delay the start of a selected cycle. Each time the Delay Start button is pressed, the delay time will increase an hour. The delay start time can be set from 1 to 19 hours, in one-hour increments.

Child Lock 

The Child Lock feature helps prevent your settings from being changed during a cycle. Selecting this feature locks all of the buttons, except for the POWER button, on the control panel. This feature does not lock the door.

To activate the Child Lock:

1. Press the POWER button.
2. Select the cycle (and desired options).
3. Press and hold the Half Load and Delay Start buttons for three seconds. The Child Lock indicator will illuminate in the display once the Child Lock is activated.
4. Close the door to begin the cycle.

Digital Display 

The Digital Display on the control panel shows the ESTIMATED cycle time. When the dishwasher is powered up, the display will be blank. When the cycle and options are selected, the display will show the total estimated time to complete those selections. During operation, the display shows the remaining estimated operating time.

NOTE

- The estimated time shown in the display does not include delay times for heating water, etc.
- If Delay Start is selected, the display shows the delay time in hours.
- Time may vary depending on the soil level of your load.

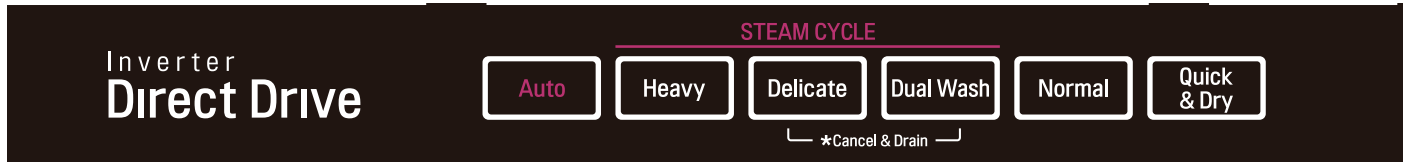
POWER

- Press the POWER button to turn on the control panel. If no cycle is selected within four minutes, the dishwasher will power off.
- After the cycle is complete, the power automatically turns off for purposes of safety and economy.
- If there is a power surge, power outage, or disruption of any kind, the PF indicator will display and power will be automatically turned off for safety. The cycle will need to be re-started.

Smart Diagnosis

Should you experience any problems with your dishwasher, it has the capability of transmitting data to your Smart Phone using the LG Smart Laundry & DW Application or via your telephone to the LG call center.

CONTROL PANEL



Cycles

Select your desired cycle.

Auto

This cycle senses the load size, soil amount and soil toughness. This cycle is optimized to achieve the best cleaning.

Heavy

This cycle is for heavily and hard soiled dishes. Heavy defaults to the highest spray intensity and uses the power of steam to wash heavily soiled dishes.

Delicate

This cycle adds the gentle power of steam to boost the cleaning power of the delicate cycle. The cycle is intended for effectively cleaning delicate items such as fine china and stemware.

Dual Wash

This cycle washes the upper and lower racks at different spray intensities. The default setting for this cycle washes the lower rack with strong spray intensity and the upper rack with soft spray intensity. This provides optimum cleaning performance for mixed loads, including fine china and stemware.

Normal

This cycle is for normally soiled, everyday loads.

Quick & Dry

This is a shortened cycle that is intended for washing and drying recently used dishes or lightly soiled loads. During this cycle, both spray arms will run at the same time.

CHIME ON/OFF

To enable or disable the chime, first, turn on the dishwasher. Press and hold the Delicate and Quick&Dry Buttons simultaneously for approximately three seconds.

TO CANCEL A CYCLE

To cancel a cycle, open the door and then press and hold the Delicate and Dual Wash Buttons together for approximately three seconds. The drain pump will activate and the cycle will cancel. The display will show "dr" and the dishwasher will drain the water. After the dishwasher is drained, the power will turn off.

If the power is turned on and no cycle has been selected, the dishwasher will power off within four minutes.

Cycle Options

(Refer to the control panel on the next page)

Press the desired cycle and then select the options for that cycle.

Extra Dry

Select the Extra Dry option for better drying performance. This option adds 60 minutes of extra drying time to the cycle. The Extra Dry button will illuminate when the option has been selected.

Rinse

Repeated pressing of the Rinse button will select the desired Rinse option. The Sanitary, Extra Rinse, or Sanitary and Extra Rinse lights will show in the bottom left portion of the display.

Sanitary (160°F)

This high-temperature rinse sanitizes dishes and glassware in accordance with NSF/ANSI Standard 184 for residential dishwashers. Certified dishwashers are not intended for licensed food establishments.

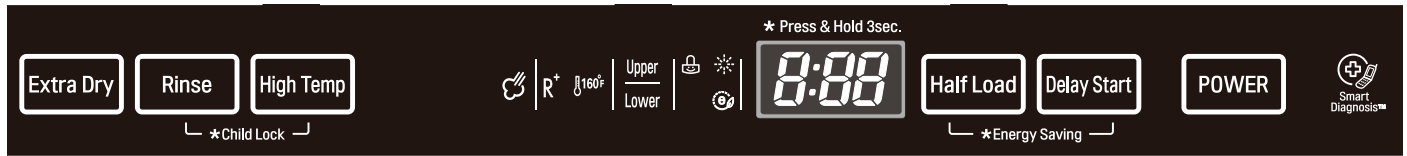
Extra Rinse (R*)

The Extra Rinse symbol indicates that an extra rinse has been added to the cycle. An extra rinse can help reduce hard water spotting on dishes. To add an extra rinse, press the Rinse button repeatedly until the Extra Rinse symbol appears in the display.

Rinse Only

This cycle is a quick rinse for dishes that will not be washed immediately. This cycle will rinse dishes that have excess soil to soften dried on residue. Rinsing the dishes will help prevent odors in the dishwasher. No detergent should be used. To select the Rinse Only cycle, turn the dishwasher on, and press the Rinse button once without pressing any other cycle buttons. The Rinse Only cycle is not available with any other cycles.

CONTROL PANEL



Half Load

For small loads, you may use just the upper or lower rack to save energy. Each press of the Half Load button cycles between upper rack only and lower rack only.

Delay Start

The Delay Start feature allows you to delay the start of a selected cycle. Each time the Delay Start button is pressed, the delay time will increase an hour. The delay start time can be set from 1 to 19 hours, in one-hour increments.

High Temp ON/OFF

Raises the main wash temperature to improve cleaning.

Child Lock

The Child Lock feature helps prevent your settings from being changed during a cycle. Selecting this feature locks all of the buttons, except for the POWER button, on the control panel. This feature does not lock the door.

To activate the Child Lock:

1. Open the dishwasher door.
2. Press the POWER button.
3. Select the cycle (and desired options).
4. Press and hold the Rinse and High Temp buttons for three seconds. The Child Lock indicator will illuminate in the display once the Child Lock is activated.
5. Close the door to begin the cycle.

Digital Display

The Digital Display on the control panel shows the ESTIMATED cycle time. When the dishwasher is powered up, the display will be blank. When the cycle and options are selected, the display will show the total estimated time to complete those selections. During operation, the display shows the remaining estimated operating time.

NOTE

- The estimated time shown in the display does not include delay times for heating water, etc.
- If Delay Start is selected, the display shows the delay time in hours.
- Time may vary depending on the soil level of your load.

Energy Saving

The Energy Saving option saves energy by using less water. This option should only be used with light to medium soiled dishes.

NOTE

The RINSE AID symbol  indicates that the rinse aid needs to be refilled.

POWER

- Press the POWER button to turn on the control panel. If no cycle is selected within four minutes, the dishwasher will power off.
- After the cycle is complete, the power automatically turns off for purposes of safety and economy.
- If there is a power surge, power outage, or disruption of any kind, the PF indicator will display and power will be automatically turned off for safety. The cycle will need to be restarted.

Smart Diagnosis

Should you experience any problems with your dishwasher, it has the capability of transmitting data to your Smart Phone using the LG Smart Laundry & DW Application or via your telephone to the LG call center.

WARNING

Steam can cause burns. Use caution in the area of the steam nozzle, on the left side of the dishwasher, if the door is opened during the steam portion of a cycle. Contact with the steam or the steam nozzle can cause burns.

LDT9965/LDF8874/LDF8764

3-3. TEST MODE

CHECK PROGRAM

BUTTON	The number of pushing button	Top Display	Load and Checking points		Door open/closed	Remark
			Load	LED lighting		
Auto+ Heavy+POWER	1 TIME	N03/U00/D00 (Version)		All LEDs are lighting	Either	
DELAY START	1 TIME	Steam Generator Temp(°C)	Steam Generator Thermistor	All LEDs	Closed	
	2 TIME	N02	Fan Motor	All LEDs	Closed	
	3 TIME	N03	Dispenser	All LEDs	Closed	
	4 TIME	Soil Level	Soil Sensor	All LEDs	Closed	
	5 TIME	Steam Generator Water Level	Water Level	All LEDs	Closed	
	6 TIME	Sump Temp(°C)	Sump Thermistor	All LEDs	Closed	
	7 TIME	N07	Steam Generator Inlet Valve	All LEDs	Closed	
	8 TIME	Pump RPM	Drain Pump	All LEDs	Either	
	9 TIME	Frequency	Inlet Valve	All LEDs	Closed	
	10 TIME	Motor RPM	Washing Pump	All LEDs	Closed	
	11 TIME	Un → Cr → LO	Vario Valve	All LEDs	Closed	
	12 TIME	-	Auto Off	All LEDs	Closed	

- ① Normal water level : 170~260
- ② Pure water : more than 130
- ③ H: High water level / L: Low water level

LDF7774/LDS5774

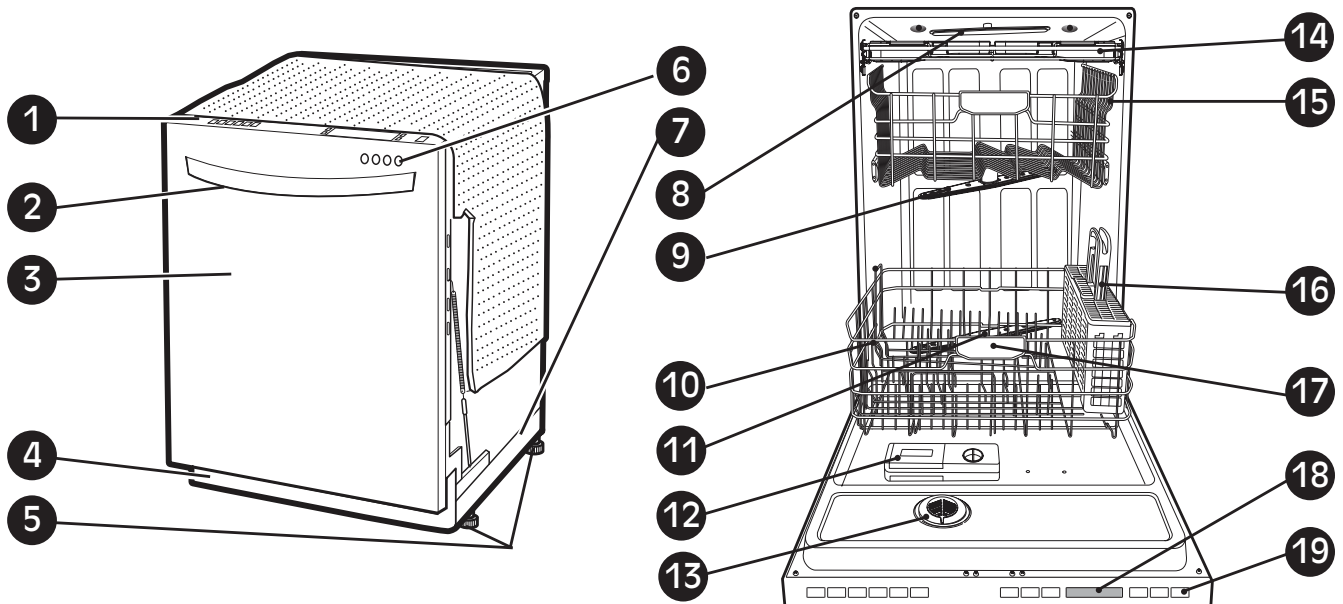
CHECK PROGRAM

Button	The number of pushing button	Top Display	Load and Checking points		Door open/ closed	Remark
			Load	LED lighting		
Auto+ Heavy+ POWER	1 TIME	No3/U01/D01 (Version)		All LEDs are lighting	Either	LDF7774 Series only
HALF LOAD + DELAY START + POWER	1 TIME	No3/U02/D01 (Version)		All LEDs are lighting	Either	LDS5774 Series only
Delay Start	1 TIME	N01	Fan Motor	All LEDs	Closed	
	2 TIME	N02	Dispenser	All LEDs	Closed	
	3 TIME	Soil Level	Soil Sensor	All LEDs	Closed	
	4 TIME	Sump Temp(°C)	Sump Thermistor	All LEDs	Closed	
	5 TIME	Pump RPM	Drain Pump	All LEDs	Either	
	6 TIME	Frequency	Inlet Valve	All LEDs	Closed	
	7 TIME	Motor RPM	Washing Pump	All LEDs	Closed	
	8 TIME	Un → Cr → LO	Vario valve	All LEDs	Closed	
	9 TIME	-	Auto Off	All LEDs	Closed	

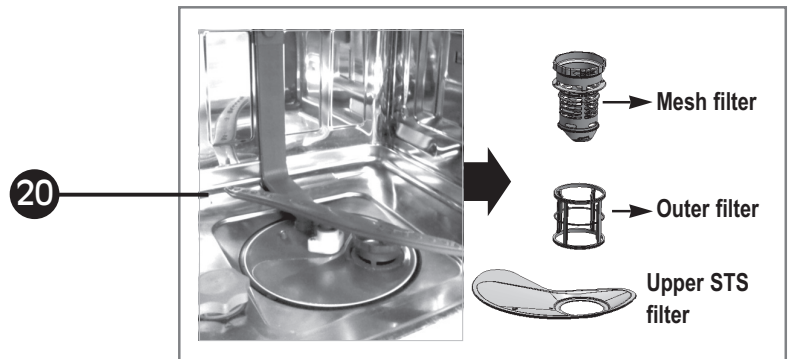
① Normal water Level : 170 ~ 260

② Pure water : more than 130

4. PARTS NAME



- 1. CONTROL PANEL
- 2. DOOR HANDLE
- 3. FRONT COVER
- 4. LOWER COVER
- 5. LEVELING FEET
- 6. FRONT DISPLAY (SIGNALIGHT™)
- 7. BASE



Signalight (front display)

When a cycle is running, the Signalight will illuminate for the active stage.

- Model with 4 LEDs : WASH – RINSE – DRY – CLEAN
- Models with 2 LEDs : OPERATING - CLEAN
- Models with 1 LED : OPERATING (Flickering) / CLEAN (Lighting)

Once the cycle is complete, the CLEAN light will illuminate for four minutes.

To keep the CLEAN light on until the door is open, turn the power on, and then press and hold the EXTRA DRY and HALF LOAD buttons on the control panel simultaneously until Off or On appears in the display. The dishwasher will remember this setting until manually changed.

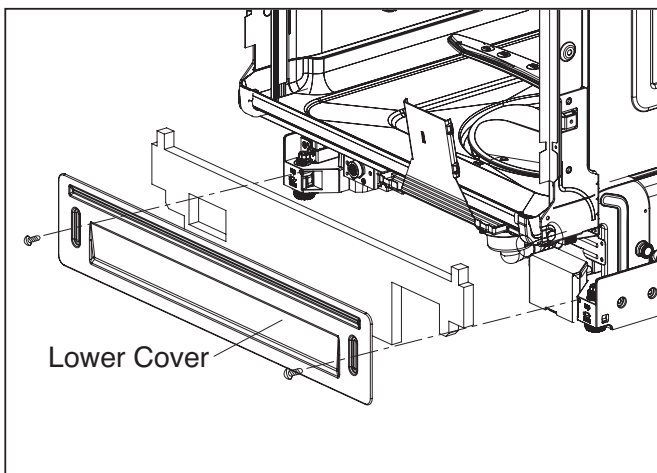
- 8. TOP SPRAY ARM
- 9. UPPER SPRAY ARM
- 10. STEAM NOZZLE (on steam models)
- 11. LOWER SPRAY ARM
- 12. DETERGENT AND RINSE AID DISPENSER
- 13. DRYING VENT COVER
- 14. CUTLERY RACK (some models)
- 15. UPPER RACK
- 16. SILVERWARE BASKET
- 17. LOWER RACK
- 18. TOP DISPLAY
- 19. POWER BUTTON
- 20. FILTRATION SYSTEM

6. HOW TO DISASSEMBLE

BEFORE DISASSEMBLING THE DISHWASHER ;

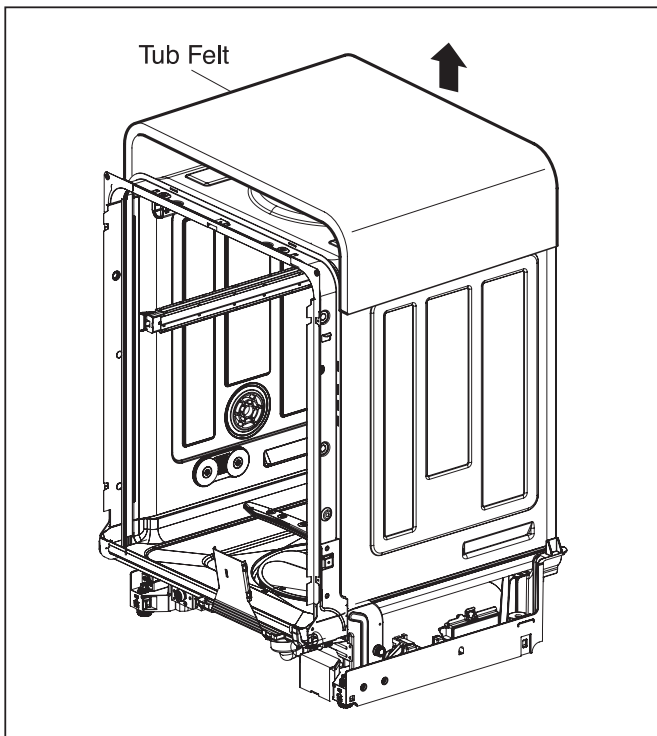
- 1) Remove the cord from electric outlet to avoid electric shock.
- 2) Close the Water Tap (faucet).
- 3) Remove all dishes and items in the dishwasher.
- 4) Remove the Lower Rack and the Upper Rack.
- 5) Remove the inlet hose and drain hose connection to avoid the hose damages.
- 6) Prepare some towels to avoid floor wet by the water left in the dishwasher.

7-1. FULL DISASSEMBLE



1. Lower Cover and Lower Felt

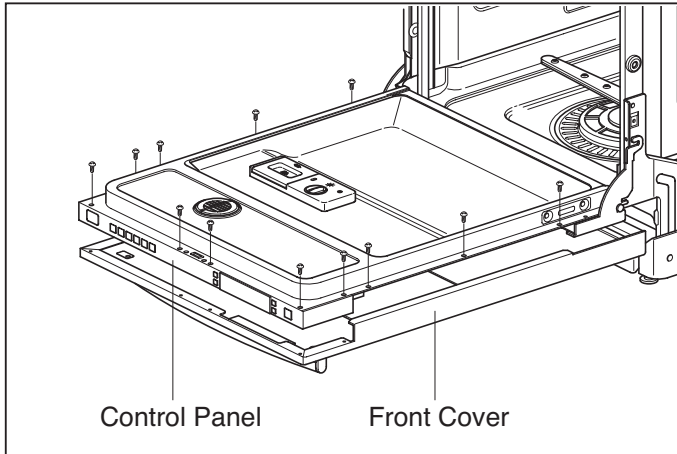
- 1) Remove the front 2 screws.
- 2) Remove the Inlet Hose and Power Supply Cable.



2. Tub Felt

- 1) Tub Felt
 - ① Pull the Tub Felt.

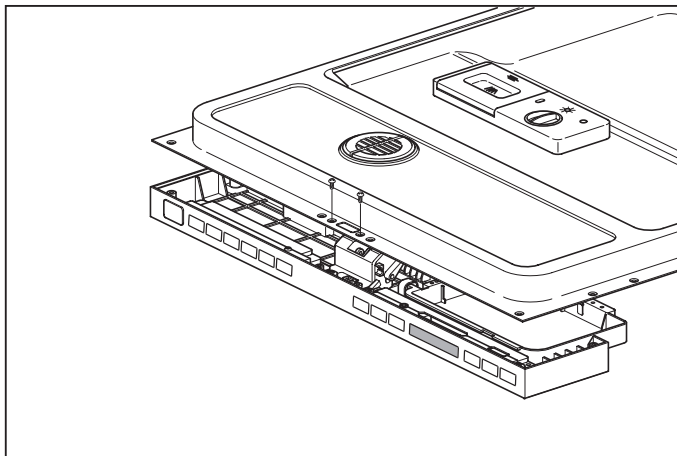
(LDF**** Series)



3. Door Assembly

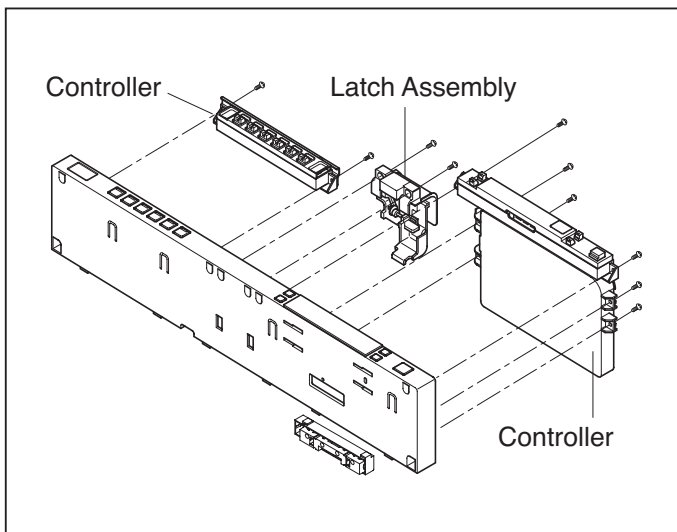
1) Front Cover

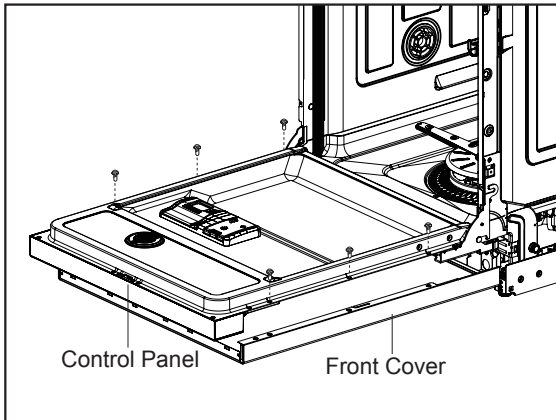
- ① Open the door.
- ② Remove 2 screws at the bottom.
- ③ Remove 12 screws(stainless).



2) Control Panel Assembly

- ① Remove 2 screws(Stainless).
- ② Remove the wire connections.
Be sure the wiring should not be changed in reassembling
- ③ Remove the Latch assembly.
- ④ Remove the Front Display.
- ⑤ Remove 8 screws for Controller.

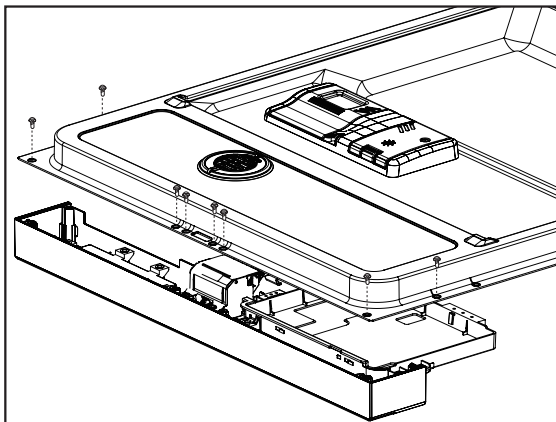




3-1. Door Assembly

1) Front Cover

- ① Open the door.
- ② Remove 2 screws at the bottom.
- ③ Remove 6 screws(stainless).

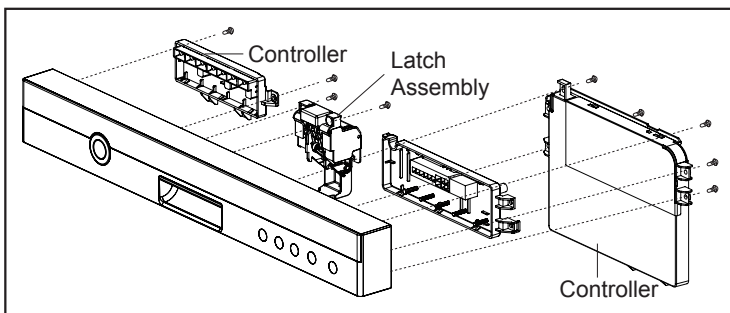


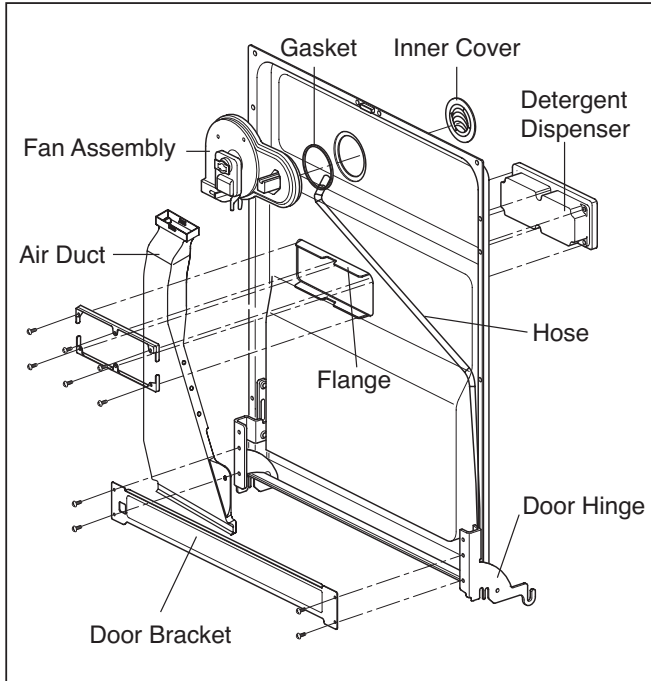
2) Control Panel Assembly

- ① Remove 8 screws(Stainless).
- ② Remove the wire connections.

Be sure the wiring should not be changed in reassembling.

- ③ Remove the Latch assembly.
- ④ Remove 7 screws for Controller.



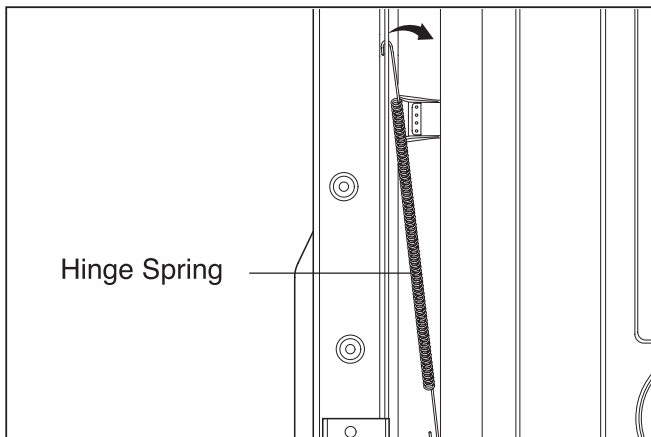


3) Fan Assembly

- ① Open the door.
- ② Remove 4 screws and a earth screw for Door Bracket.
- ③ Remove the wire connetions.
- ④ Remove the Air Duct.
- ⑤ Turn the Inner Cover counterclockwise.

4) Detergent Dispenser

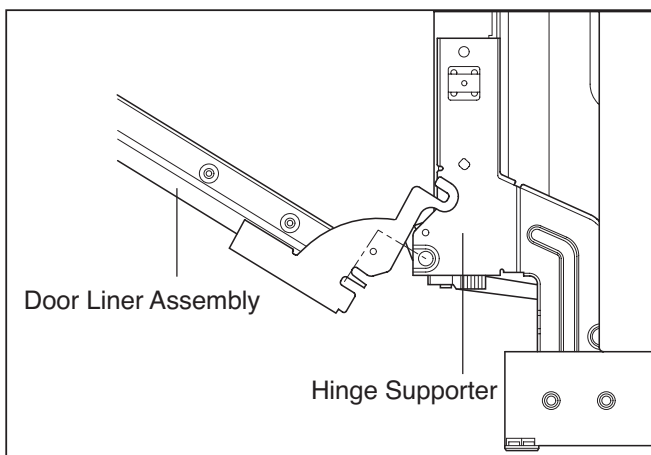
- ① Close the door
- ② Remove the wire connections.
- ③ Remove 6 screws with brackets.
- ④ Push the Detergent slowly pulling up the the Flange by Standard Screwdriver.



5) Door Spring (Right & Left)

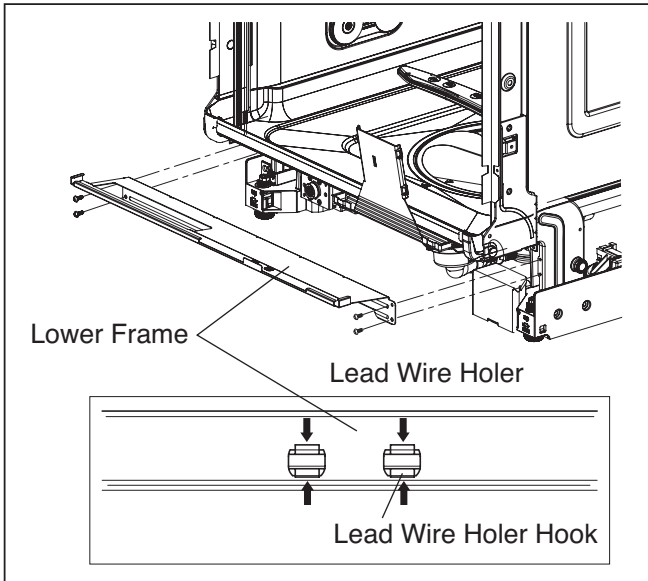
- ① Push the Spring upwards and take it off from the the slot.

Be careful not to be injured by the sharpedge of Tub.
- ② Take off the Hinge Link from the Hinge.



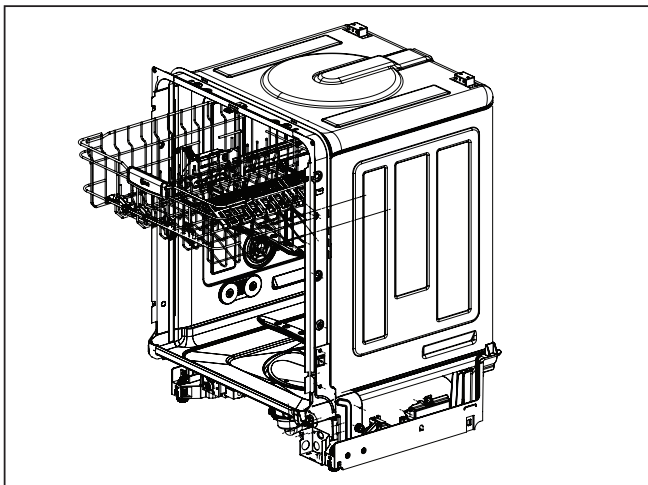
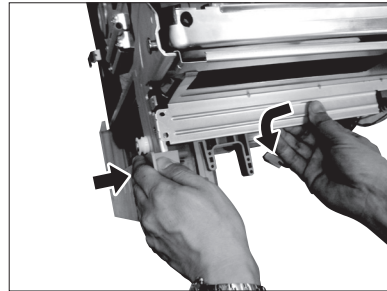
6) Door Liner

- ① Open the door.
- ② Pull the Door Liner and take it off from the Hinge Supporter.



4. Lower Frame

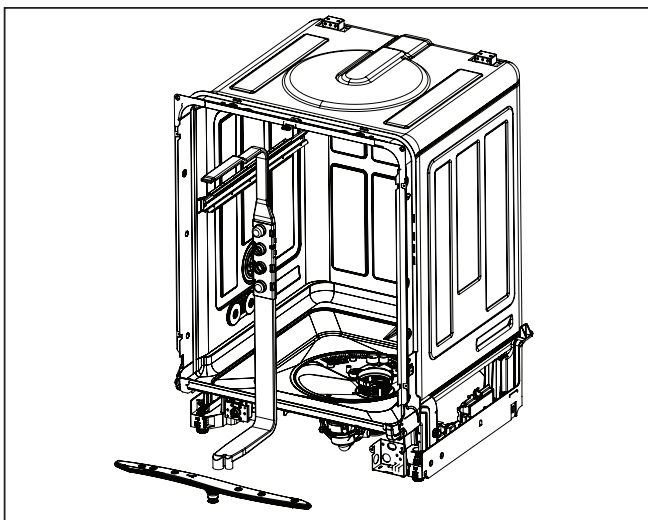
- 1) Press the holder hook as shown in figure.
- 2) Remove 4 screws.
- 3) Hold the lower frame by one hand. Push the base cabinet inside from other hand. Pull the lower frame out.



5. Tub Assembly

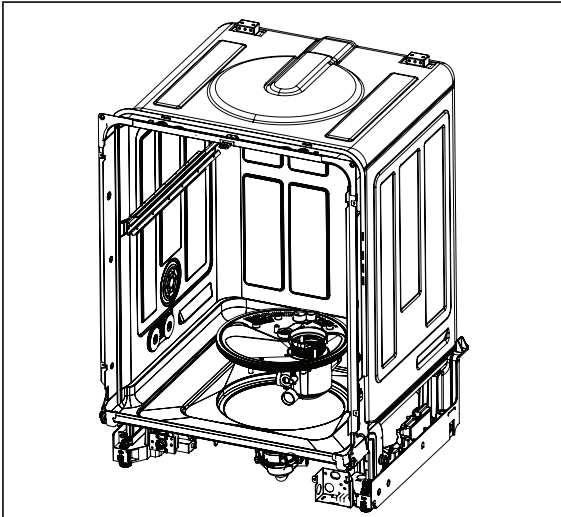
1) Rack

- ① Remove the top rack and the upper / lower rack



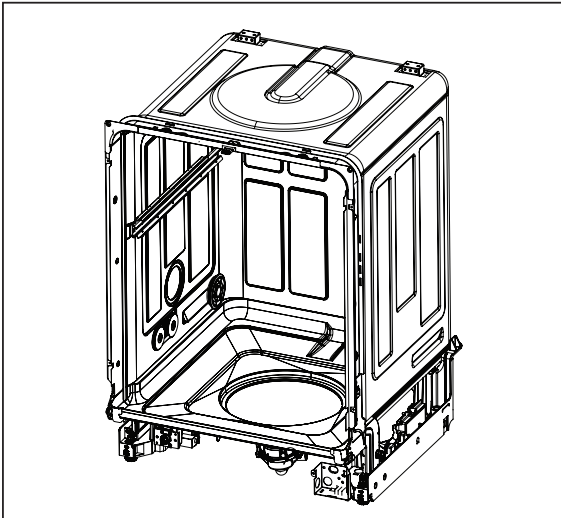
2) Nozzle and Water Guide

- ① Pull up the nozzle.
- ② Remove the water guide form the tub bracket. (Top & Rear)



3) Sump Assembly

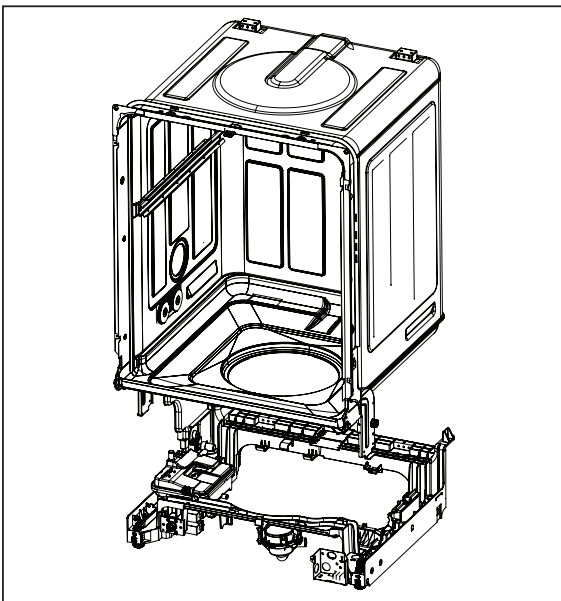
- ① Remove the wire connections.
- ② Remove 2 hoses assembly.
- ③ Rotate 2 holders between sump and tub.
- ④ Lift up sump assembly.
- ⑤ Remove the wire connections in the back of the sump assembly.



4) Air guide Nut

- ① Turn the air guide nut counterclockwise.
(Special tool might be needed.)

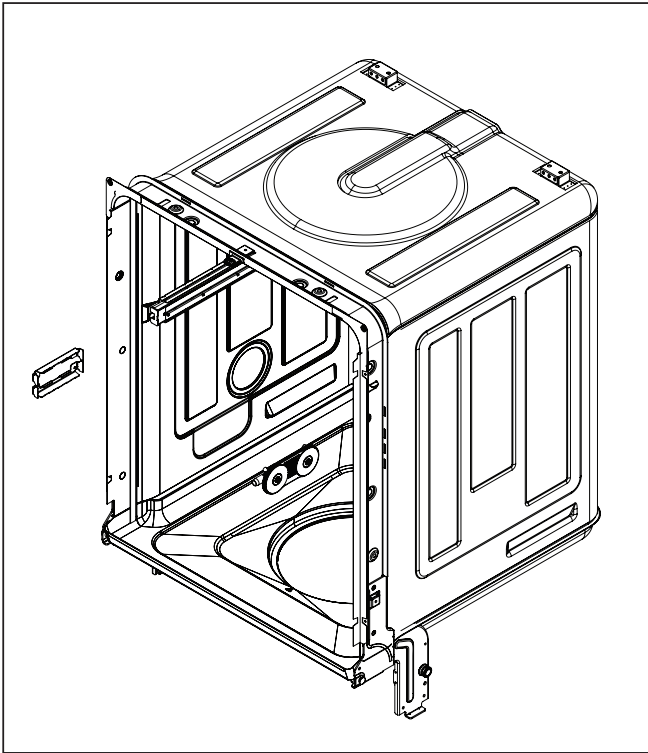
Be careful the rubber packing of air guide assembly should not be lost.



5) Tub Sub Assembly

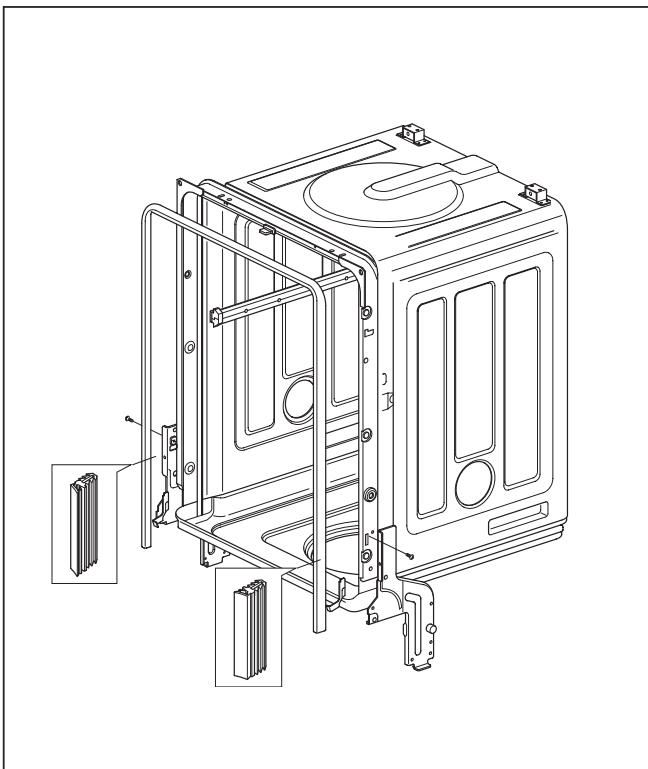
- ① Remove Side 4 screws.
- ② Remove rear 4 screws.
- ③ Disconnect 1 hose assembly of left side.
(Steam nozzle hose)
- ④ Lift tub assembly upward.

Be careful not be injured or scratch floor by the sharp edge of tub.

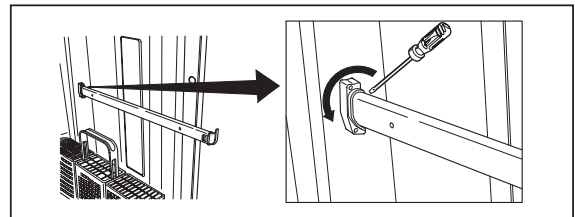


6) Steam Nozzle

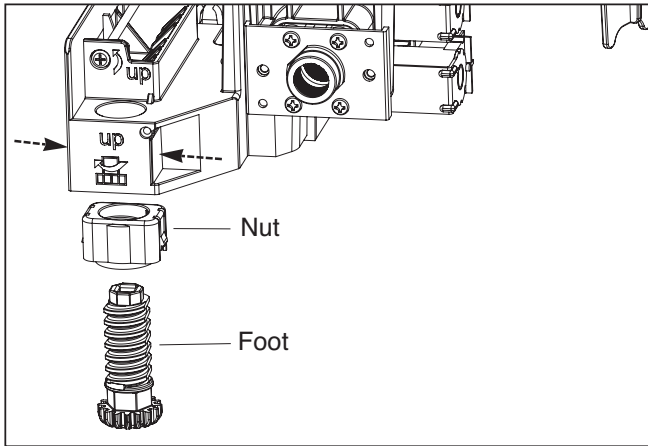
- ① Remove side 4 screws.
- ② Push the steam nozzle.



7) Holder Supporter, Tub Packing and Hinge Supporter Assembly.

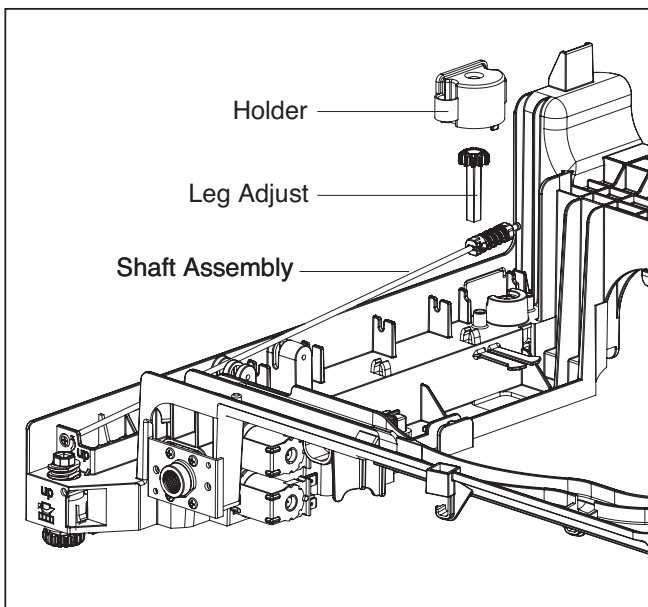


Rotate the screwdriver, after slide it into the gap between Stopper Roller and Rail Roller.



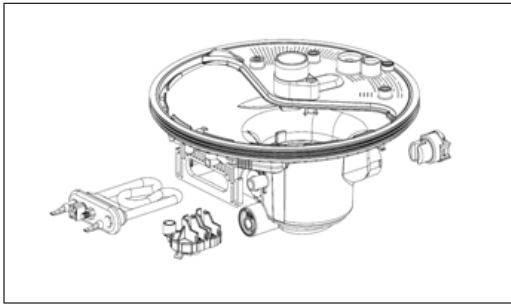
7) Foot & Nut

- ① Pull the Foot twisting
- ② Pull the Nut pushing the hook.



8) Rear Leg Adjustment System

- ① Remove 2 screws.
- ② Pull the Holder.
- ③ Pull the Leg Adjust.
- ④ Pull the Shaft Assembly



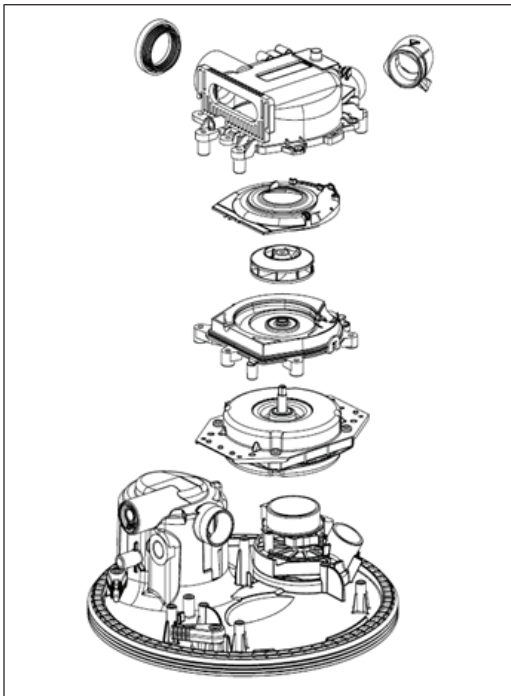
7. Sump Assembly

1) Heater

- ① Remove the wire connections.
- ② Pull the heater out of the sump after releasing the nut.

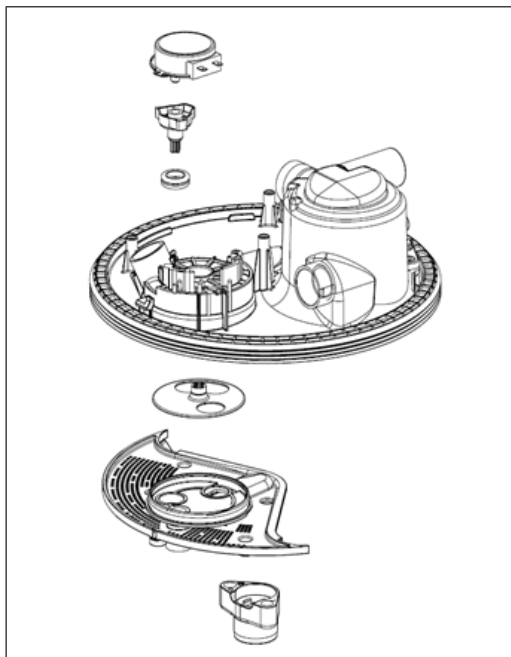
2) Pressure Switch & Soil Sensor

- ① Remove the wire connections.
- ② Disconnect 1 hose assembly.
- ③ Remove 1 screw.
- ④ Pull up Pressure Switch and Soil Sensor.



3) Impeller & Washing Motor

- ① Remove 4 screws & 1 hose assembly.
- ② Lift up pump assembly.
- ③ Remove 6 screws.
- ④ Remove 1 screw under a motor.
- ⑤ Lift up 2 pump cases.
- ⑥ Remove 1 screw.
- ⑦ Lift up impeller.
- ⑧ Remove 1 screw under a motor.
- ⑨ Lift up pump cover.



4) Vario Valve



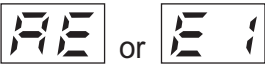
- ① Remove 6 screws on the nozzle holders.
- ② Lift up nozzle holders.
- ③ Lift up Vario Valve.






5) Vario Motor & Vaio Cam

- ① Remove 2 screws for Vario Motor.
- ② Pull the Vario Motor/Cam and Micro switch.

7. TROUBLE SHOOTING METHODS

A. TROUBLE SHOOTING ACCORDING TO DISPLAYED ERROR MESSAGE

ERROR MESSAGE	POSSIBLE CAUSE FOR ERROR OCCURRENCE	REMEDY
<p>INLET ERROR</p>  <p>displayed</p> <p>Condition Not reached to the normal water level in spite of 10 min. water supply</p>	<ul style="list-style-type: none"> • The Water Supply Tap is closed. • The Water Supply is shut off. • The Inlet Hose is kinked. • The Water Pressure is very low (below 10 psi) or high(above 120 psi) • Inlet Valve is OK? • The filter of Inlet Valve is clogged by impure water. • The Hall sensor is OK? • The Impeller of Air Guide is bound. 	<ul style="list-style-type: none"> • Take action on Water Supply device. • Measure the electric resistance of Inlet Valve. (23~27 Ω) • Clean the filter of Inlet Valve. • Check the frequency of Inlet Water by the Test Mode. • Replace the Air Braker.
<p>DRAIN ERROR</p>  <p>displayed</p> <p>Condition Not fully drained out in spite of 5 min. drain operation</p>	<ul style="list-style-type: none"> • The Drain Hose kinked or blocked. • Wiring connection is OK? • The drain outlet of sump is blocked. • The Drain Pump/Motor or circuit is troubled. • No drainage though drain pump is working properly? Air in the impeller of the drain pump might cause this case. • The Air gap is clogged. • Knockout plug of garbage disposal not removed. 	<ul style="list-style-type: none"> • Remove the cause of kink or block. • Check the wiring connection. • Measure the electric resistance of Drain Motor. (20-40 Ω) • Replace the Drain Motor or repair the Circuit. • Remove all the water remained in the drain hose that is connected to the drain pump / motor. Keep the unit upright, don't lay it down. Cautious about leaking on the floor. • Clean the air gap. • Remove knock out plug.
<p>LEAKAGE ERROR</p>  <p>displayed</p> <p>Condition The excessive RPM of Washing Motor happened during Wash cycle due to water leakage.</p>	<ul style="list-style-type: none"> • Water leakage in Hose connections. • Water is leaked by damages. • The Motor Water Seal leakage of Sump assembly. • The height of Drain Hose connection (sink-Drain Hose) is not over 20" • Impeller of the Washing Pump is worn away • The float assembly is not working. • The lower tub gasket came loose or fell off. 	<ul style="list-style-type: none"> • Replace the connections of Hose. • Check the point of damages and repair or replace the related parts. • Read the Installation Instructions (page 44) and fix it to the recommended Height. • Replace the Impeller of the Washing Pump. • Change the float assembly. • Replace the lower tub gasket. ※ Remove water near the Float ASM before the repair.

ERROR MESSAGE	POSSIBLE CAUSE FOR ERROR OCCURRENCE	REMEDY
<p>EXCESS ERROR</p> <p></p> <p>displayed</p> <p>Condition Excessive water is supplied than normal water level.(Automatically drain Pump operated.)</p>	<ul style="list-style-type: none"> • The Inlet Valve is troubled. • The Controller is troubled. • The float assembly is not working 	<ul style="list-style-type: none"> • Replace the Inlet Valve. • Repair or replace the Controller. • Change the float assembly.
<p>THERMAL ERROR</p> <p></p> <p>displayed</p> <p>Condition The resistance of thermistor not normally out put.</p>	<ul style="list-style-type: none"> • The Inlet Water Temperature is very high. (over 194 °F) • Wiring connection is OK? • The Thermistor is OK? 	<p>Check the temperature. (Test Mode)</p> <p>1) If the temperature is displayed, ① adjust the Inlet Water Temperature to 120 °F.</p> <p>2) If the temperature is not displayed, ① check the wiring connection. ② check the electric resistance of Thermistor. (11~14k Ω at 77 °F) ③ Replace the PCB.</p>
<p>MOTOR ERROR</p> <p></p> <p>displayed</p> <p>Condition The Motor is working abnormally.</p>	<ul style="list-style-type: none"> • Wiring connection is OK? • The Impeller of Washing Pump is locked. • The rotor of Washing Motor is locked. • The Blade is locked. 	<ul style="list-style-type: none"> • Check the wiring connection. • Replace the cause of restriction. • Replace the Washing Motor. • Replace the PCB.
<p>HEATER ERROR</p> <p></p> <p>displayed</p> <p>Condition The water is not heated or the temperature in the Tub is overheated to over 194℉</p>	<ul style="list-style-type: none"> • The Circuit of Heater is troubled. • The Thermistor is troubled. • The Heater is shorted. • The Relay Circuit is troubled. 	<ul style="list-style-type: none"> • Repair the Circuit of Heater. • Replace the Thermistor. • Replace the Heater. • Repair the Relay Circuit..
<p>VARIO ERROR</p> <p></p> <p>displayed</p> <p>Condition The position of vario cam is not properly.</p>	<ul style="list-style-type: none"> • Wiring connection is OK? • Does the vario S/W assembled properly? • Is the vario motor operated properly? (range is 12~15Ω) 	<ul style="list-style-type: none"> • Check the wiring connection. • Reassemble vario S/W. • Replace the vario motor.

B. STEAM GENERATOR ERROR MESSAGE

- Steam Generator Error mode is not displayed in normal condition and it can be confirmed by following additional operation.
- To confirm steam generator error, press the **SPRAY** and **HALF LOAD** buttons simultaneously.
- When Steam Generator is out of order, dishwasher operates the selected cycle without steam.

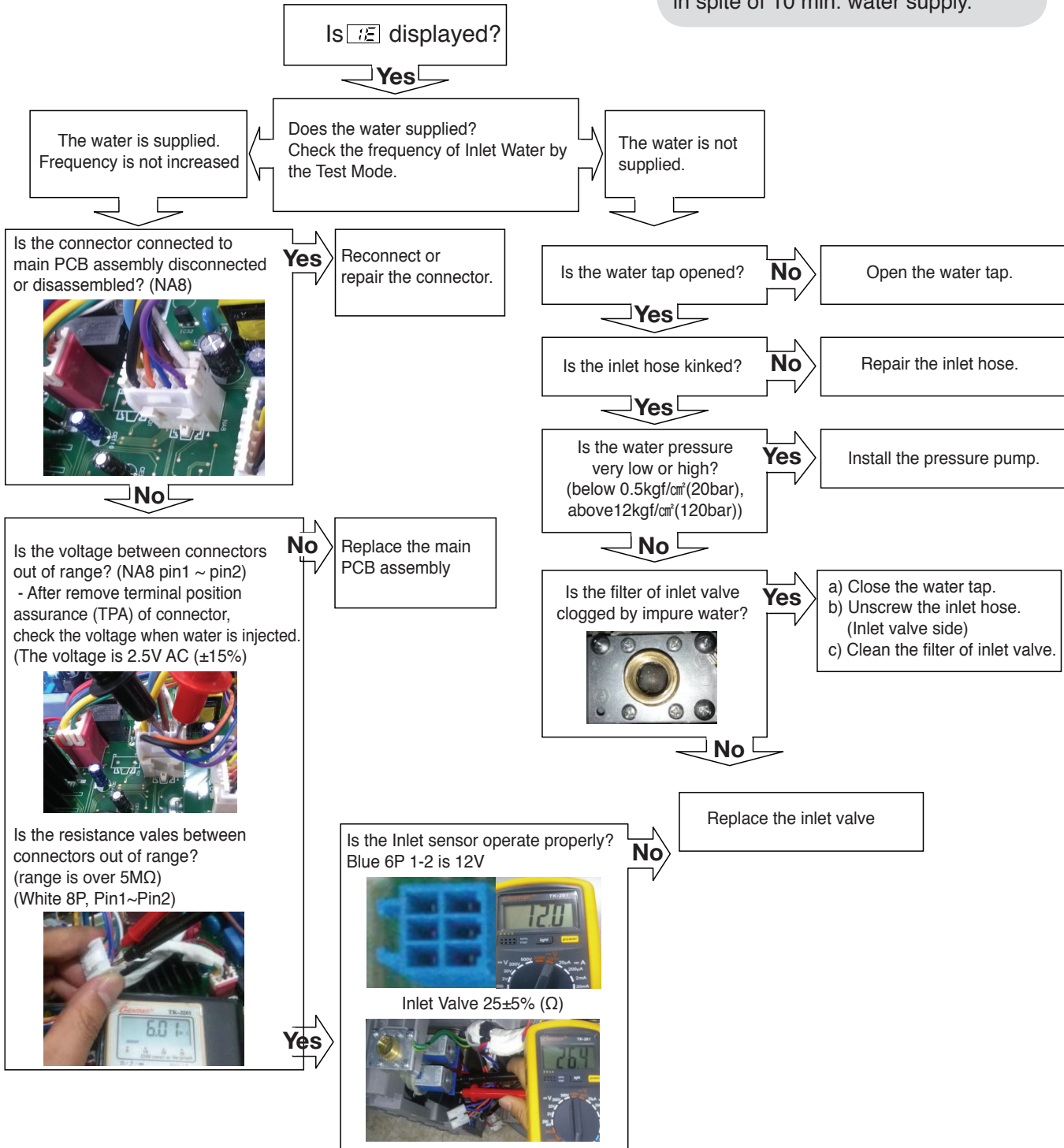
ERROR MESSAGE	CONDITION	REMEDY
SE0	<ul style="list-style-type: none"> • The normal condition 	
SE1	<ul style="list-style-type: none"> • The generator heater temperature is high. (over 239°F) 	<ul style="list-style-type: none"> • Check the water level sensor and thermistor check.
SE3	<ul style="list-style-type: none"> • Not reached to the normal water level. 	<ul style="list-style-type: none"> • Check the inlet valve and sensor connection.
SE4	<ul style="list-style-type: none"> • The generator heater temperature is low. (lower than 158°F) 	<ul style="list-style-type: none"> • Check the heater and thermistor.

7. TROUBLE SHOOTING METHODS

Inlet Error

Condition.

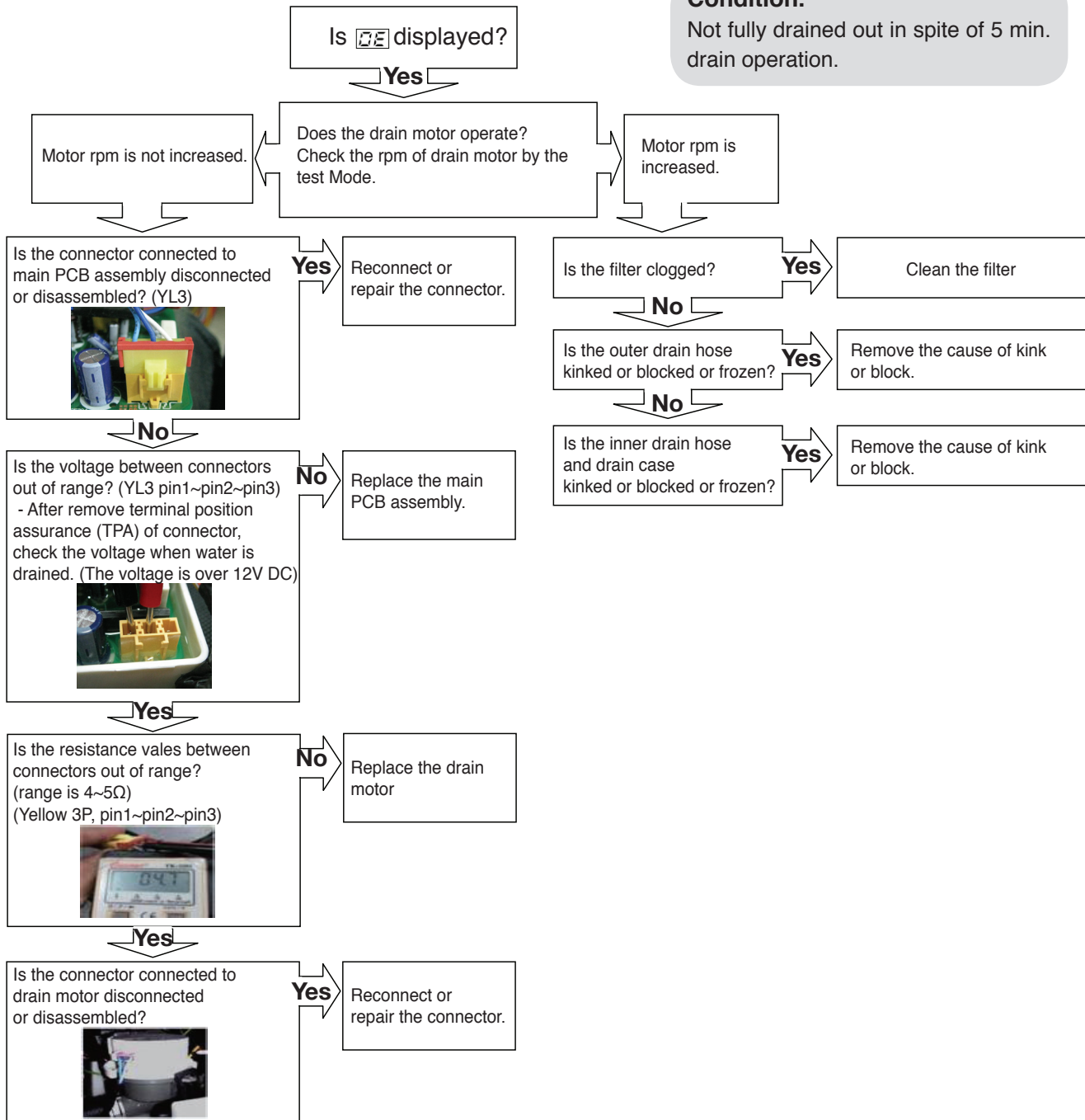
Not reached to the normal water level in spite of 10 min. water supply.



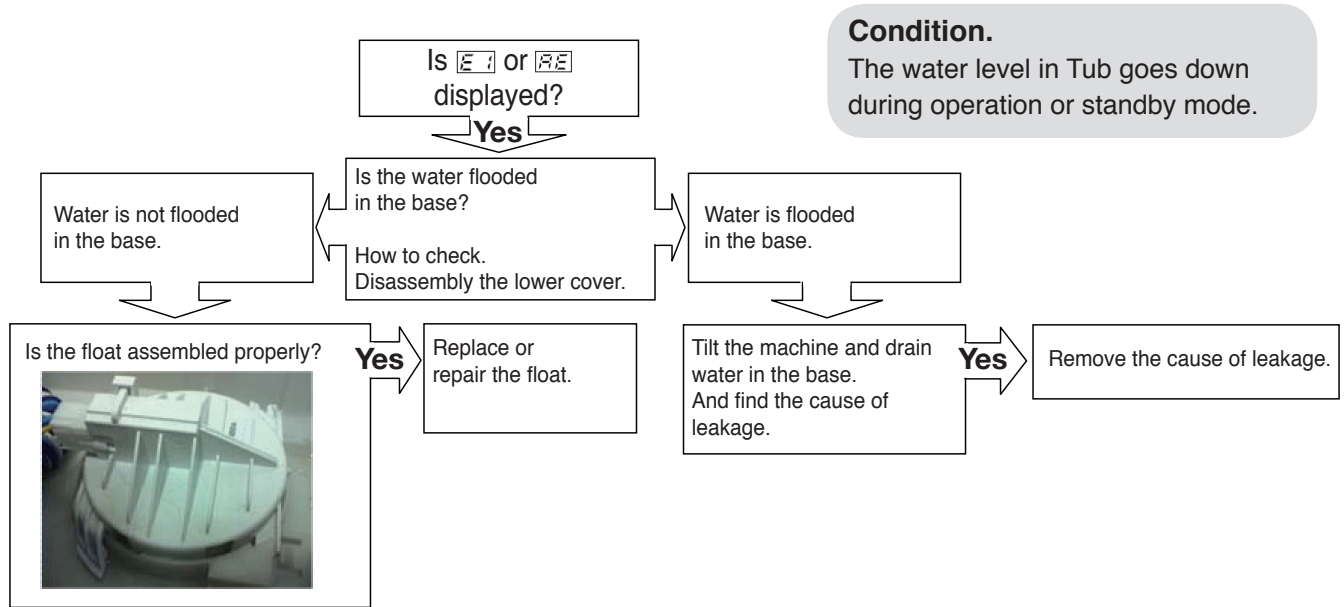
Drain Error

Condition.

Not fully drained out in spite of 5 min. drain operation.



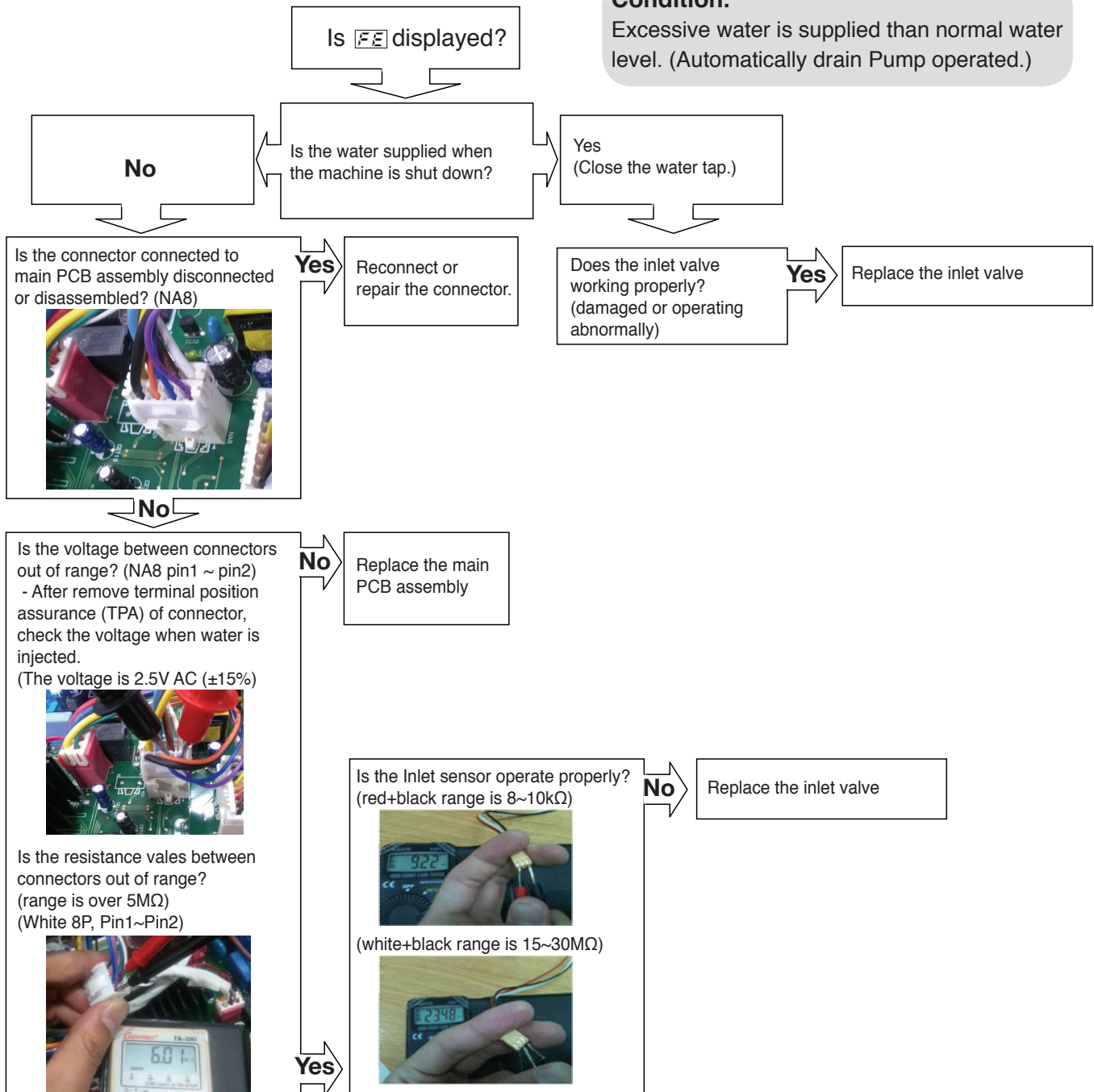
Leakage Error



Excess Error

Condition.

Excessive water is supplied than normal water level. (Automatically drain Pump operated.)

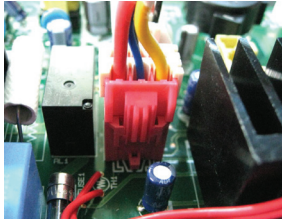


Thermal Error

Is **EE** displayed?

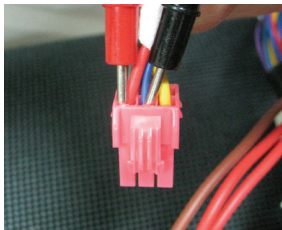
Yes

Is the connector connected to main PCB assembly disconnected or disassembled? (RD6)



No

Is the resistor between connectors out of range? (RD6 pin2 ~ pin3)
- After remove the connector from the PCB, check the resistor.
(range is 12~13kΩ)



No

Yes

Reconnect or repair the connector.

Yes

Replace the main PCB assembly.

Condition.

The resistance of thermistor not normally out put.

Is the connector connected to heater assembly disconnected or disassembled?



No

Is the thermistor operated properly? (range is 12~13kΩ)



Yes

Reconnect or repair the connector.

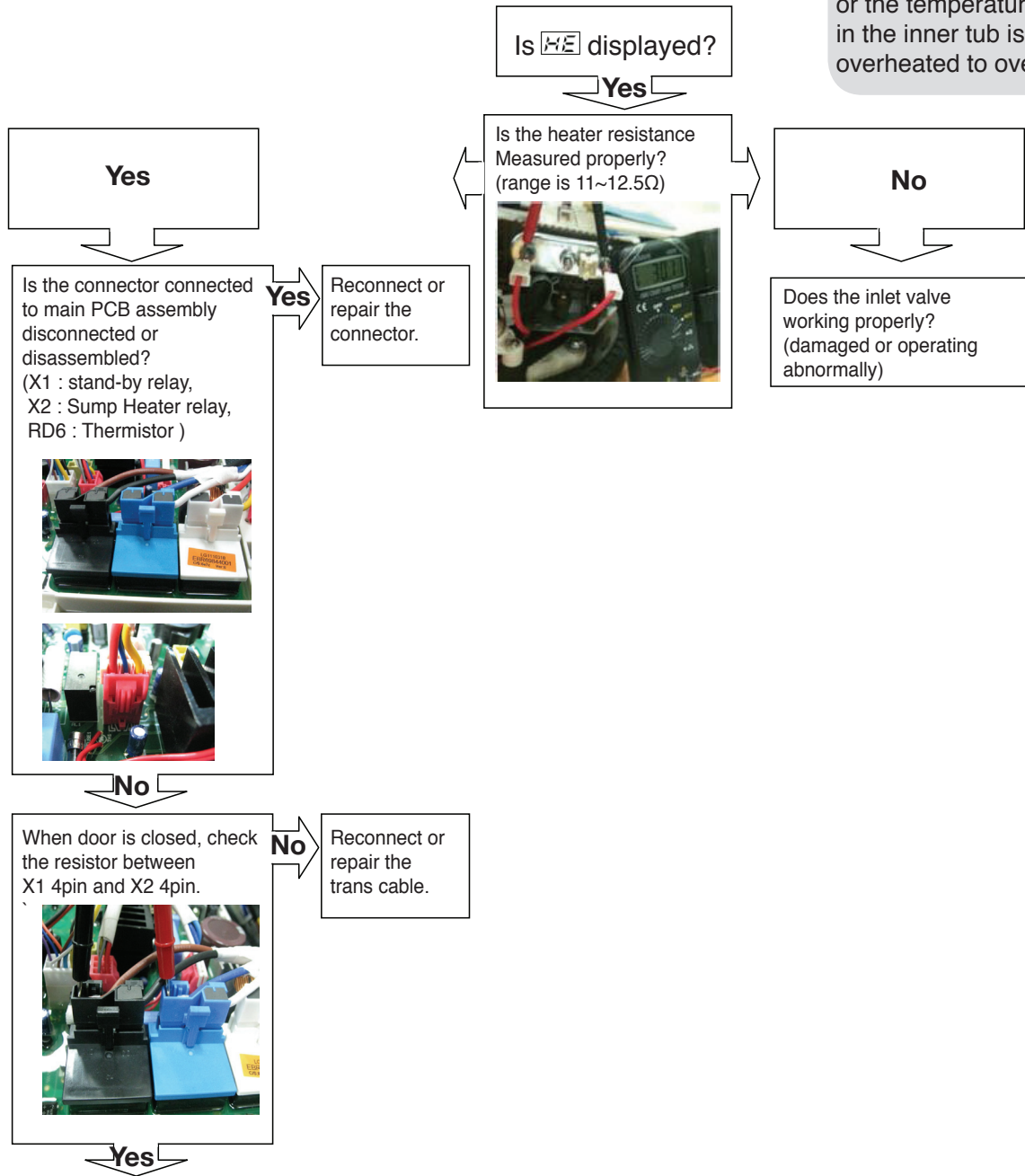
Yes

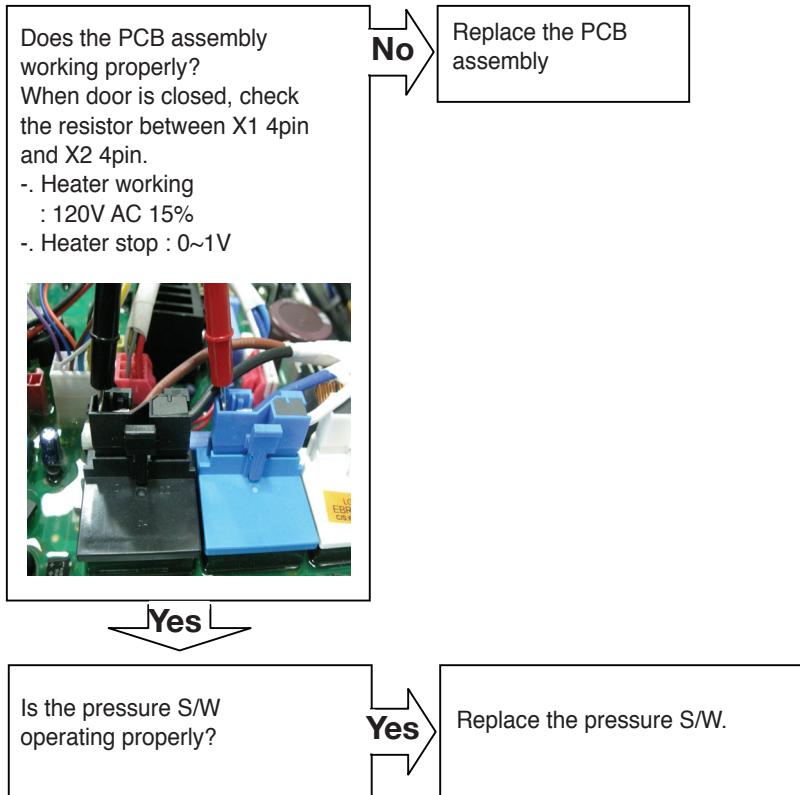
Replace the thermistor.

Heater Error

Condition.

The water is not heated or the temperature in the inner tub is overheated to over 95°C



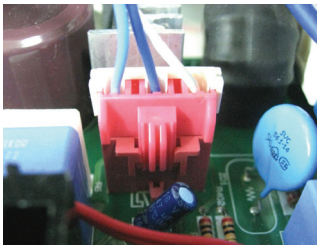


Locked motor Error

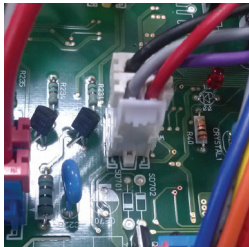
Is **LE** displayed?

Yes

Check the connectors below.
Is the connector disconnected or disassembled?



Main PCB assembly : RD3



Main PCB assembly : WH4

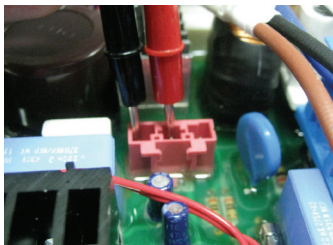
Yes

No

Reconnect or repair the connector.

Yes

Is the resistance values short? (0~50Ω)
(After pull out the RD3 connector, check the housing connector (Pin1~Pin2, Pin2~Pin3, Pin3~Pin1) individually.



No

Replace the main PCB assembly.

Condition.

The revolution of washing motor is not increased.

Is the resistance values in the range of 15 to 20Ω?
※ 1-2, 2-3, 3-1 pin
(After pull out the RD3 connector, check the terminal of the connector in wire. (Red 3P, male)



Yes

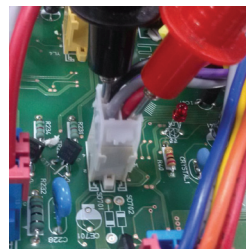
No

Check or replace the motor.

Is the voltage between connectors out of range?
(WH4 pin1 ~ WH4 pin4)
- After remove terminal position assurance (TPA) of connector, check the voltage, when just power on. (The voltage is 8~15V)

Yes

Replace the main PCB assembly.



No

Is the motor blocked?

Yes

Remove the cause of block or replace the motor.

No

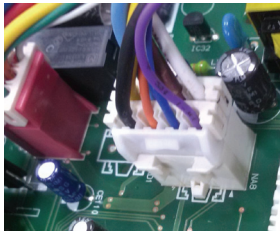
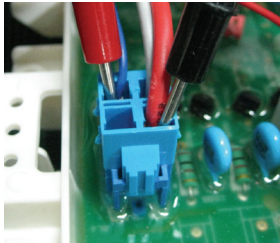
Replace the motor.

Nozzle(Vario) Error

Is  displayed?

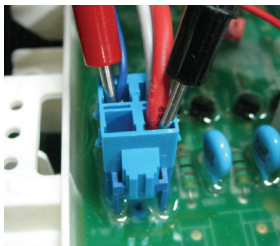
Yes

Check the connectors below.
Is the connector disconnected or disassembled?
(BL4 : vario motor,
NA8 : Vario S/W sensing)



Yes

Does the PCB assembly working properly?
When Door is closed,
check the voltage between
BL4 pin1 and BL4 pin4.
-. Vario motor stop working
: 120V AC
-. Vario motor stop stop : 0~1V



Yes

No

Reconnect
or repair the
connector.

Condition.

The position of vario cam is not properly.

Does the vario S/W assembled properly?

Yes

Reassemble
vario S/W.



No

Is the vario motor operated properly?
(range is 12~15K Ω)

Yes

Replace the
vario motor.



No Power

Is the supplied voltage 120V AC(+10%, -15%)



Yes

No

Check the fuse or reset the circuit breaker.

Is the current rating of multi-outlet power strip enough? (Avoid connecting several electric devices)

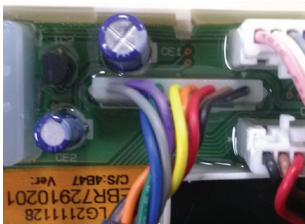


Yes

No

Alternate with explanation.

Is nine pin wire of display PCB Assembly broken? (CON1)

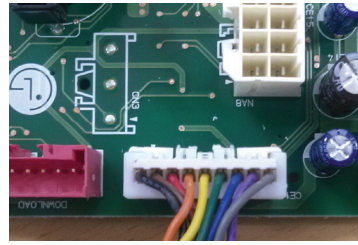


No

Yes

Replace the display PCB assembly.

Is the connector connected to Main PCB Assembly disconnected or disassembled?

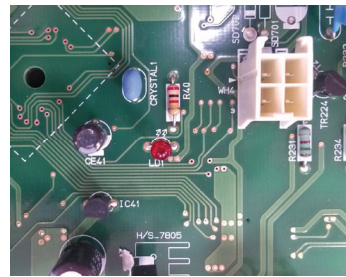


Yes

No

Reconnect or repair the connector.

Is LED on while the power is on?



Yes

No

Replace the main PCB assembly.

Is the connector connected to PCB/Noise filter disconnected or disassembled?



No

Reconnect or repair the connector.

Washing result is not satisfactory.

After washing, is there any white deposits on the dishes or inner tub? **Yes** → Using a wash booster will help remove spots, residue and hard water (white) film.

No ↓

After washing, is there any streaks on the dishes or inner tub? **Yes** → Reduce the amount of Rinse aid.

No ↓

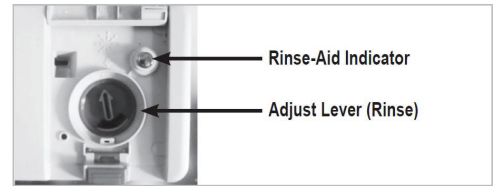
After washing, is there small particles (food) on the dishes of inner tub? **Yes** → a) Wash filter assembly.
b) Check the rotation of spray arms. (lower, upper, top nozzle)

No ↓

Is the washing result of cups & glasses not satisfactory? (Upper basket) **Yes** → a) Does the upper nozzle fit properly to the water guide?
→ Reassemble or replace the upper nozzle or water guide
b) Does the water guide fit properly to the sump?
→ Reassemble or replace the water guide.

No ↓

Is the washing result of utensils not satisfactory? (Top basket) **Yes** → a) Does the top nozzle fit properly to the water guide?
→ Reassemble or replace the top nozzle or water guide
b) Does the water guide fit properly to the sump?
→ Reassemble or replace the water guide.



Drying result is not satisfactory.

After washing, is there any streaks on the dishes or inner tub? **Yes** → Reduce the amount of Rinse aid.

No ↓

After washing, is there water drops on the dishes or inner tub? **Yes** → Increase the amount of Rinse aid.

No ↓

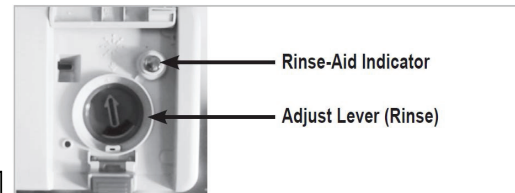
Is the drying result of cups & glasses not satisfactory? (Upper basket) **Yes** →

- a) Does the upper nozzle fit properly to the water guide? → Reassemble or replace the upper nozzle or water guide
- b) Does the water guide fit properly to the sump? → Reassemble or replace the water guide.

No ↓

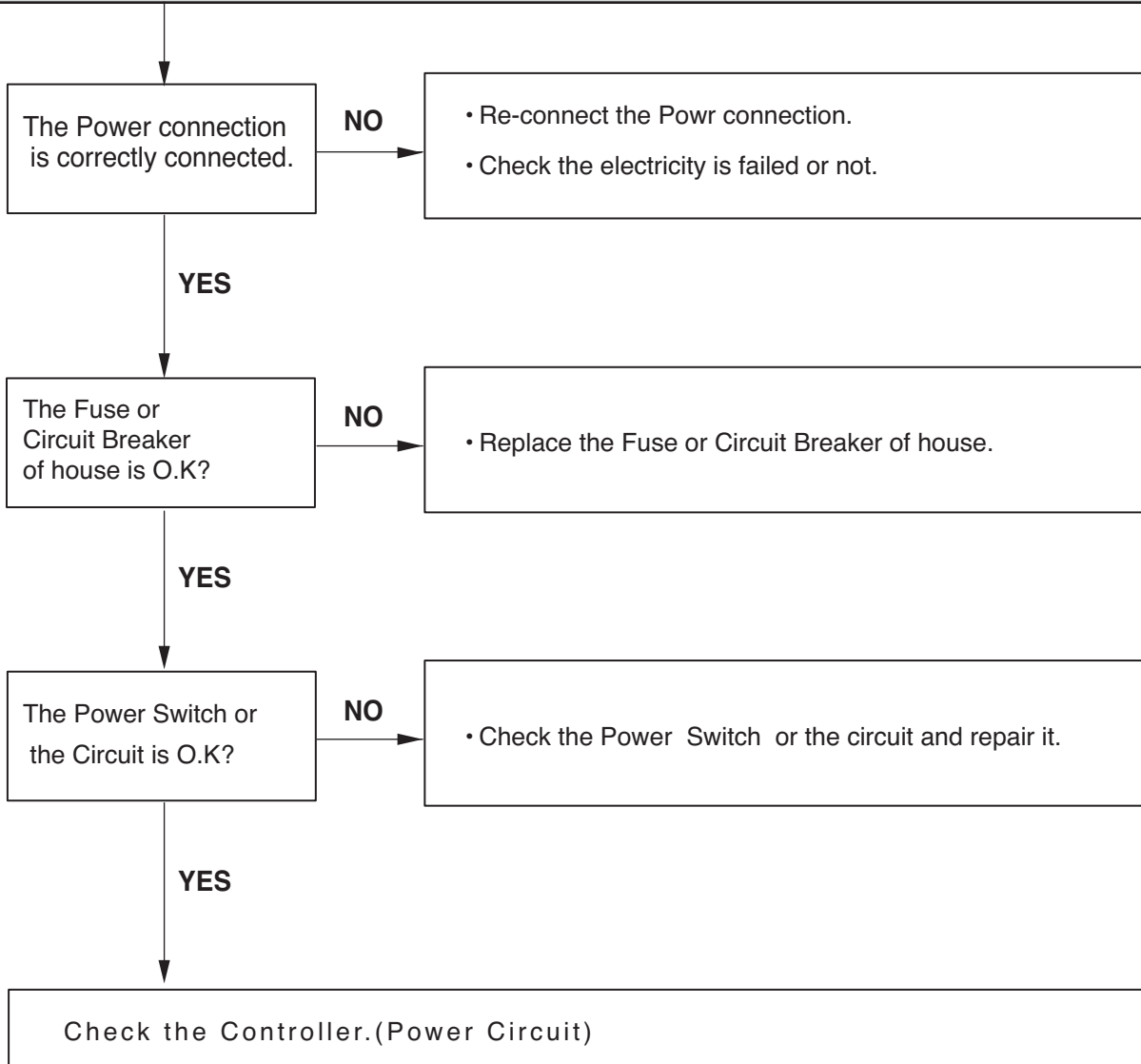
Is the drying result of utensils not satisfactory? (Top basket) **Yes** →

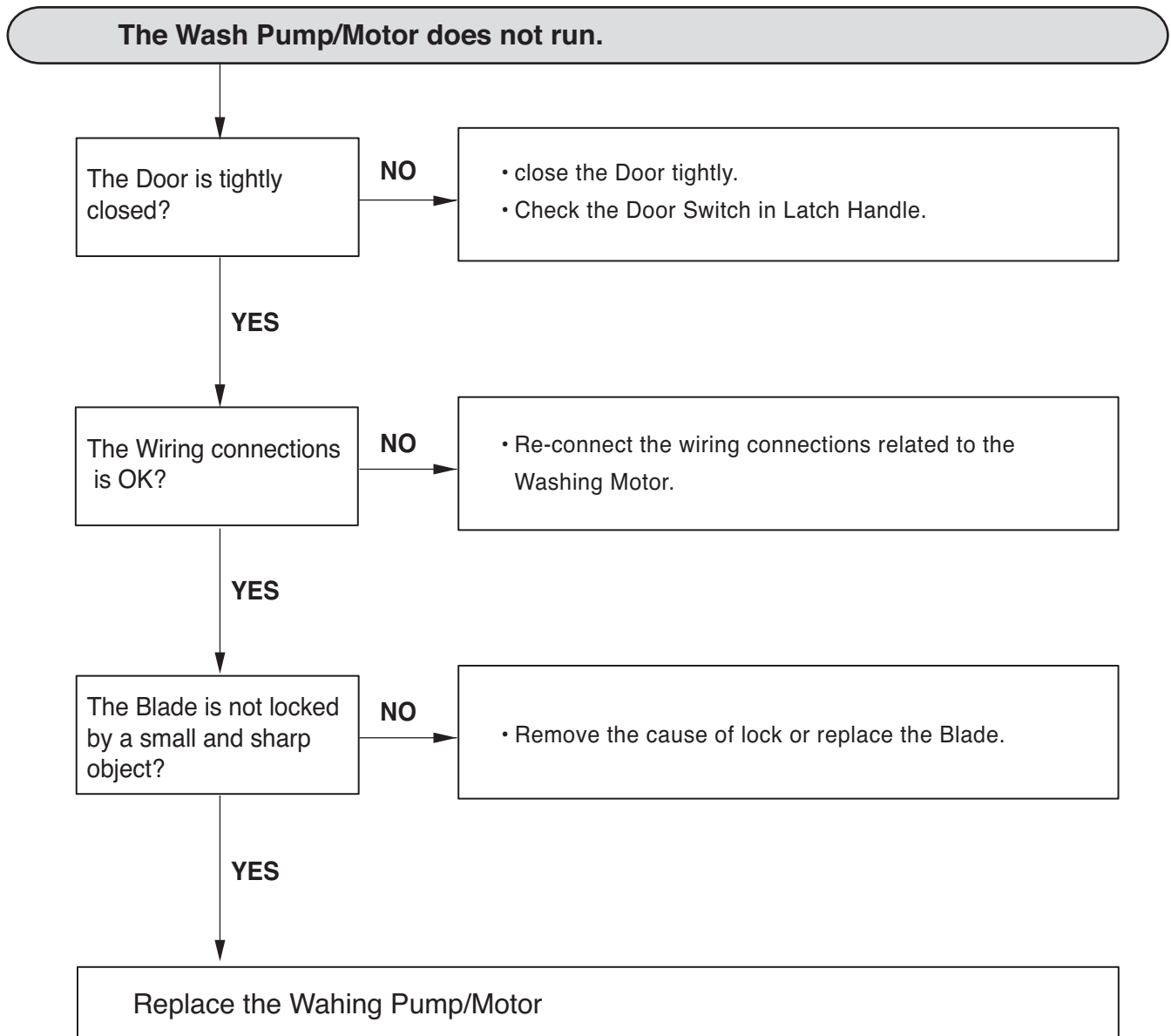
- a) Does the top nozzle fit properly to the water guide? → Reassemble or replace the top nozzle or water guide
- b) Does the water guide fit properly to the sump? → Reassemble or replace the water guide.



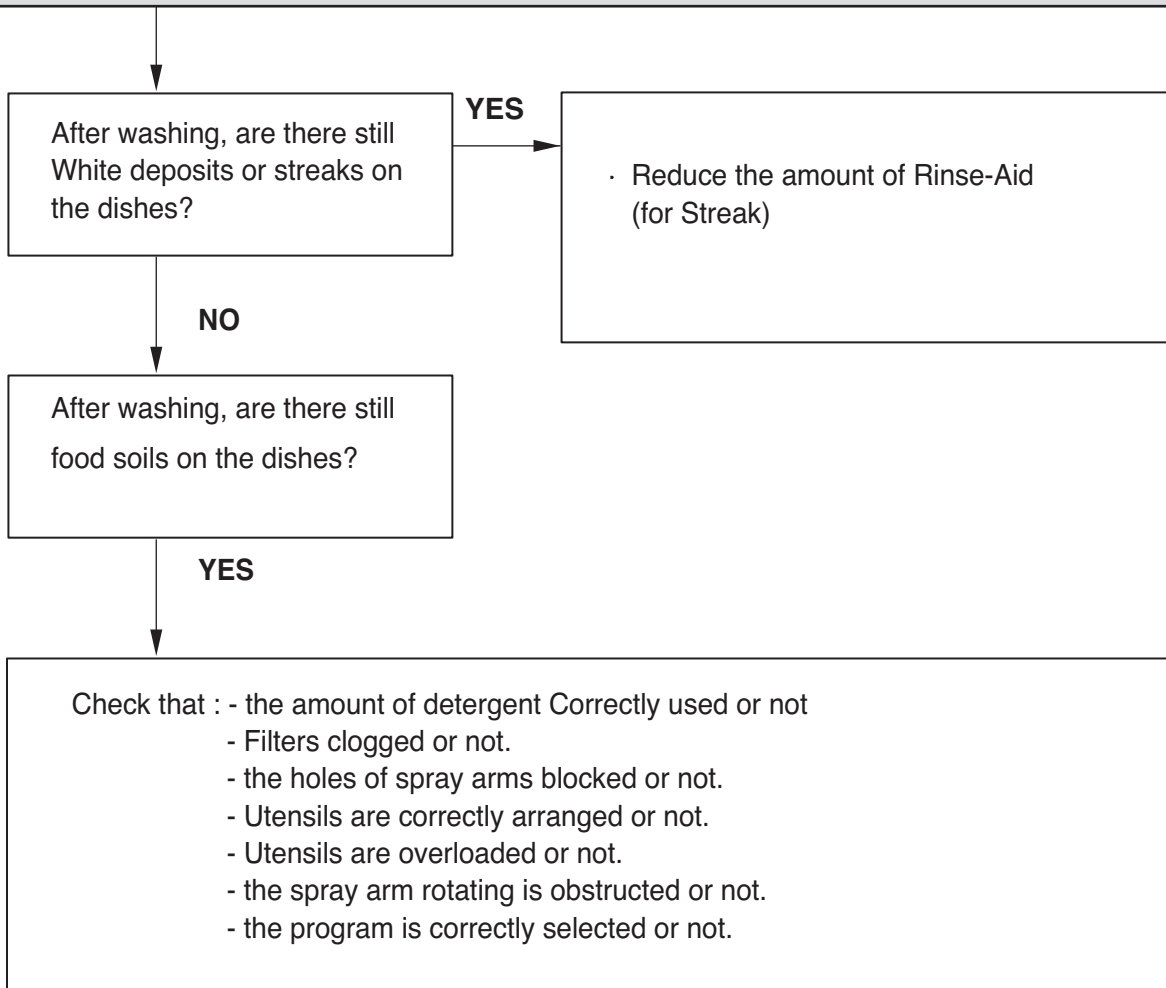
C. TROUBLE DIAGNOSES AND REPAIR BY SYMPTOM

No Power on when the power button pressed.

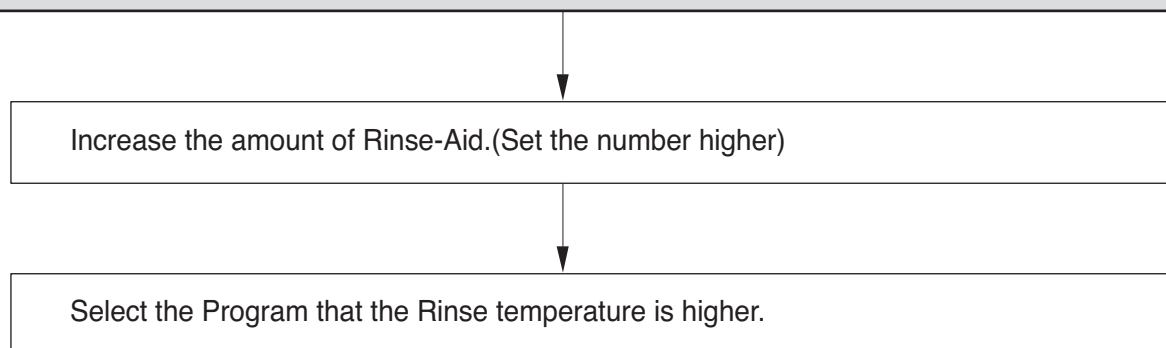




Washing Results are not Satisfactory



Dry Results are not satisfactory



Power Button not automatically off after operation.

Check the button is blocked by foreign materials.

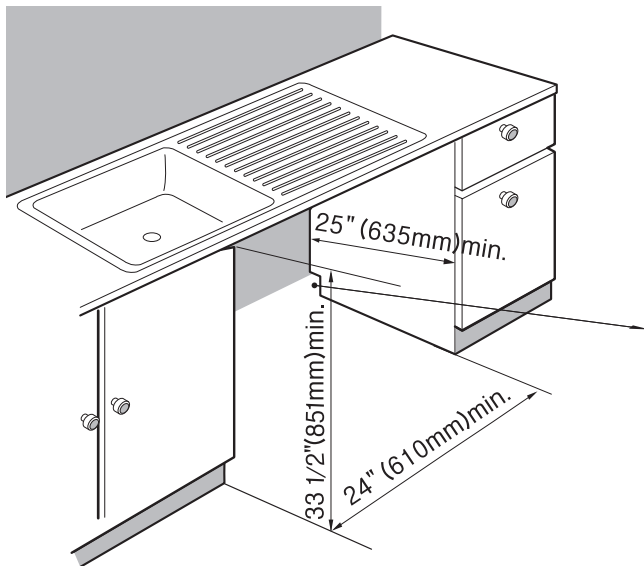
Check the Power Switch.(Replace it, if necessary.)

Check the Controller.(Replace it, if necessary.)

8. INSTALLATION INSTRUCTION

Step 1: PREPARE CUPBOARD OPENING

1. This dishwasher is designed to fit a standard dishwasher opening as shown below.
2. Select a location as close to sink as possible for easy connections to water and drain lines.
3. The dishwasher should not be installed more than 10 ft. (3m) from the sink for proper drainage.
4. If dishwasher is to be installed in a corner, a minimum of 2 in. (50mm) is required between the dishwasher and an adjacent a wall.



If dishwasher will sit directly on subflooring, subfloor should be sealed with a waterproof paint or sealer to prevent damage from steam.

Drill a 1-1/2" (38mm) dia hole or cut out for drain hose, inlet hose and electrical cables on either side.

approx. 4" (100mm, W) X 4" (100mm, H)
These openings must be within 4" (100mm) from the floor and 1-5/8" (40mm) from the back wall. If there is a floor in the cabinet under the sink, it will also be necessary to drill or cut through the floor to connect the water and drain under the sink.

- Ensure the floor under the dishwasher is at the same level as the rest of the room to allow for any service requirements.

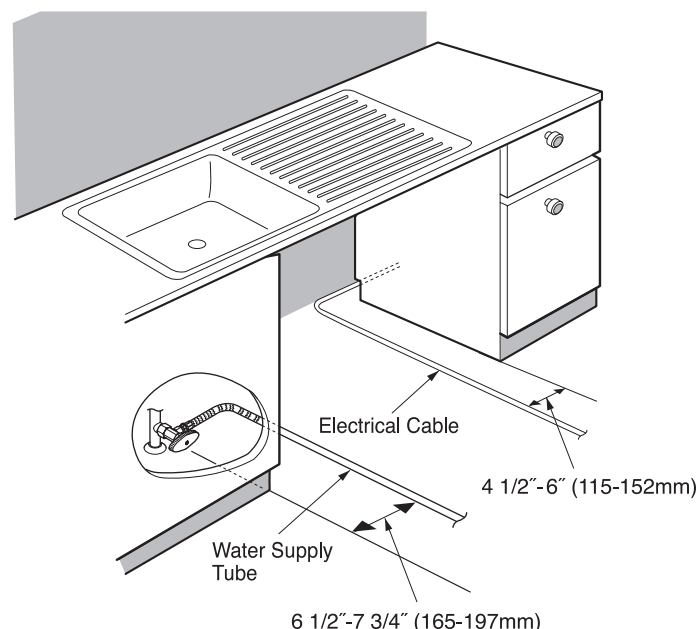
Step 2: PREPARE THE ELECTRICAL WIRING

⚠ WARNING

For personal safety, remove house fuse or open circuit breaker before installation. Do not use an extension cord or adapter plug with this dishwasher. Electrical and grounding connections must comply with the national electrical code/provincial and municipal code and/or other local codes.

1. This appliance must be operated with correct voltage as shown in this manual and on the rating plate, and connected to an individual, properly grounded branch circuit, protected by time delay fuse. Wiring must be 3 wires including ground.
2. The wiring or cord should be in an accessible location adjacent to, and not behind the dishwasher and within 4 ft. (1.2m) of the dishwasher side.
3. The wiring or cord must be grounded properly, if in doubt, have it checked by a qualified electrician. No other appliance shall be connected to the same outlet by a double adapter or similar plug.
4. The wiring or cord must be oriented as shown in Figure A below.
5. Check the dishwasher for any damage before trying to install it.
6. Make sure water line and Electrical line are oriented in the bottom channels as shown in the figure below.
If you find any damage to the dishwasher, Please contact your dealer or builder immediately.

Figure A

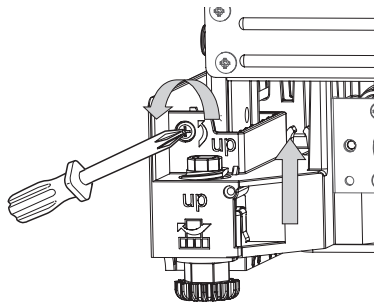


Step 3: PREPARE THE WATER SUPPLY CONNECTION

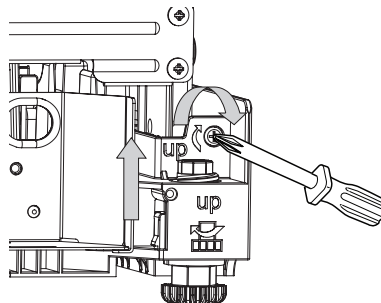
1. This dishwasher may be connected to either hot or cold water. If the water can not be maintained below 149°F (65 °C), the dishwasher must be connected to cold water.
2. When connecting the dishwasher water line, sealing tape or compound should be used to avoid leaks.
3. When connecting the dishwasher water line, the house supply should be shut off.
4. The Water Supply Tube must be oriented as shown in Figure A on page 6.

Step 4: PREPARE DISHWASHER FOR INSTALLATION

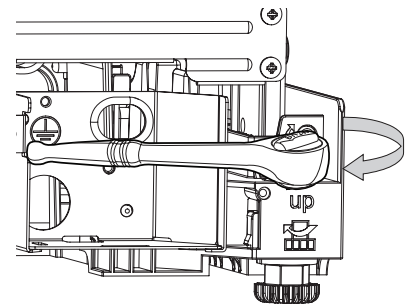
1. Adjust the legs to the required height to fit properly under the countertop as shown below.
2. Check the level of dishwasher by using level.



- Left side – turn the adjusting screw counterclockwise to lower the leg and raise the rear of the dishwasher.



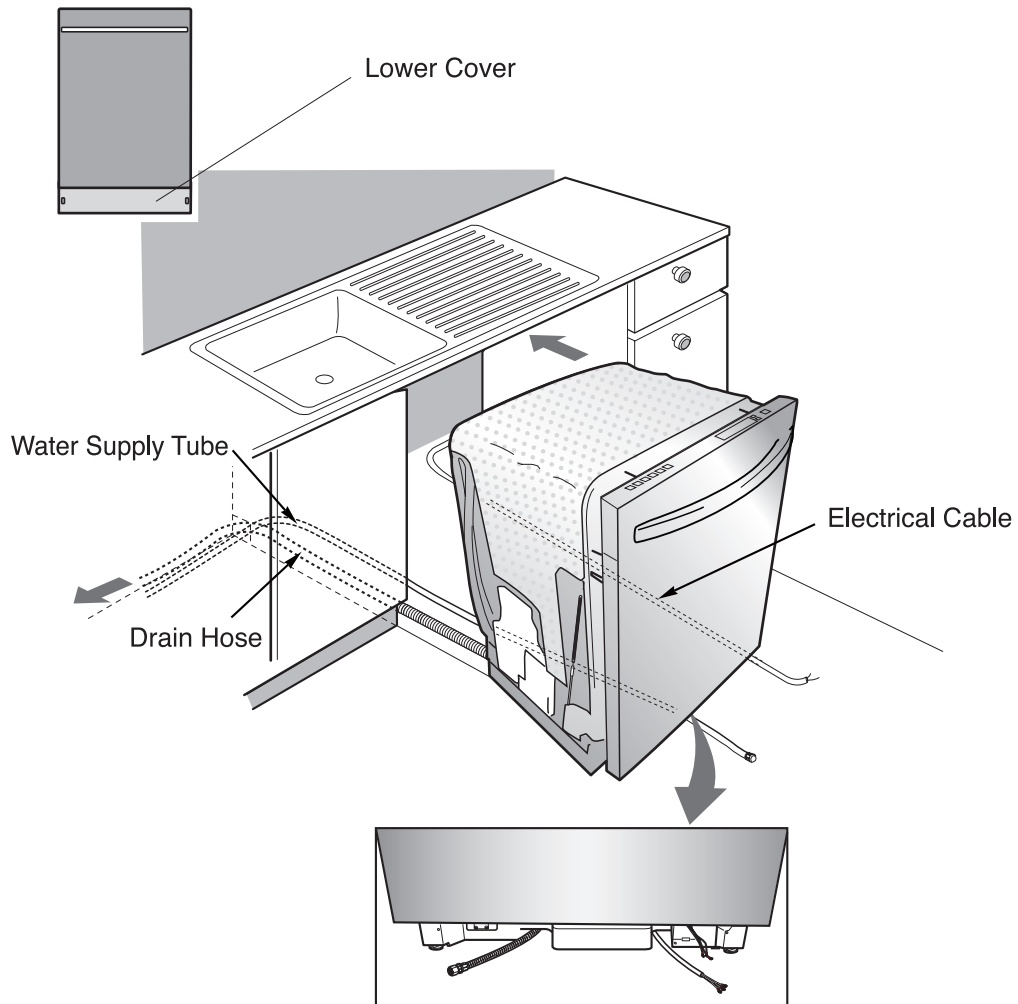
- Right side – turn the adjusting screw clockwise to lower the leg and raise the rear of the dishwasher.



- Front feet can be adjusted from the top using a 1/4" square drive wrench.

Step 5: INSTALL THE DISHWASHER IN CUPBOARD

1. Remove the Lower Cover and orient dishwasher as shown below.
2. Before sliding the dishwasher into the cupboard opening, make all necessary height adjustments using the legs.
3. Slide the dishwasher into the cabinet opening carefully. Make sure that the drain hose inside the cabinet is not kinked.
4. Follow the instruction as in Figure B.



Step 6: DRAIN LINE CONNECTION

1. If the end of the drain hose does not fit to the drain line, use an adapter (not supplied) that must be resistant to heat and detergent and may be obtained from a plumbing shop.
2. There are 2 typical connections as shown in Figures C & D.
 - ① There may be other options than shown here for connection the drain hose. The drain connection must meet local plumbing regulations.
 - ② The S trap spigot must be drilled out cleanly and free of obstruction to its maximum internal diameter, if used for drainage.
 - ③ To prevent syphoning, one of the following instruction methods must be followed:

Figure C: Connection to Disposer or waste Tee.

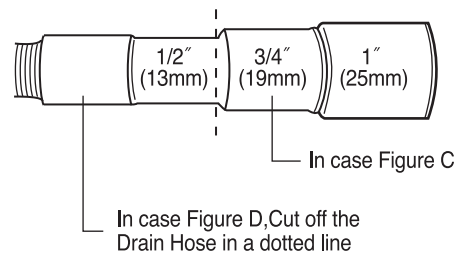
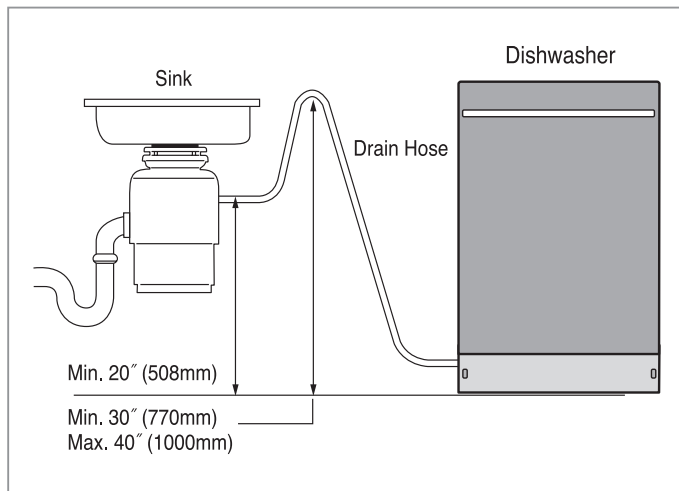
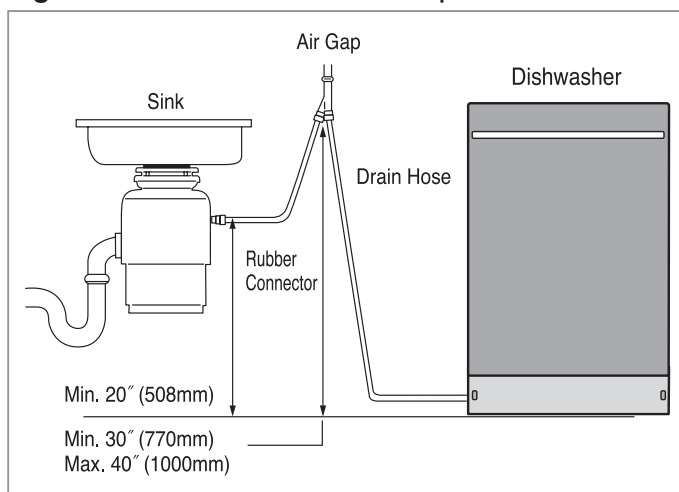


Figure D: Connection to Air Gap.

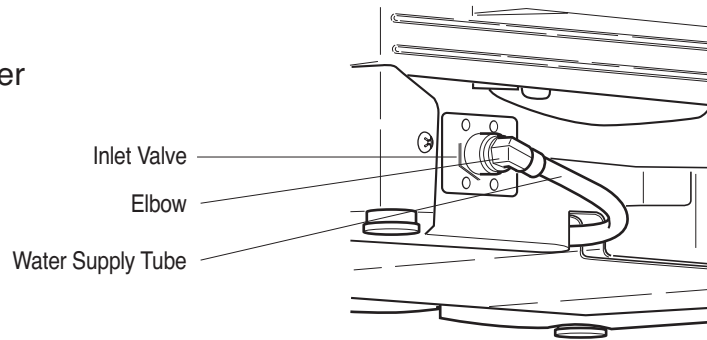


Drain Requirements

- Follow local codes and ordinances.
- Do not exceed 10 ft. (3m) distance to drain.
- Do not connect drain lines from other devices to the dishwasher drain hose.

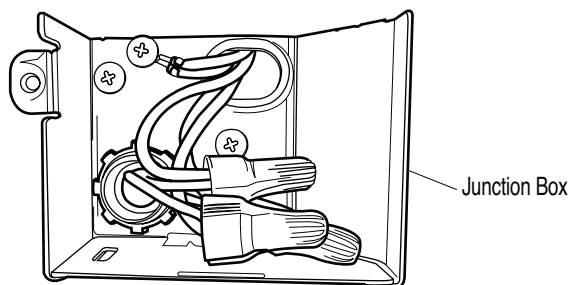
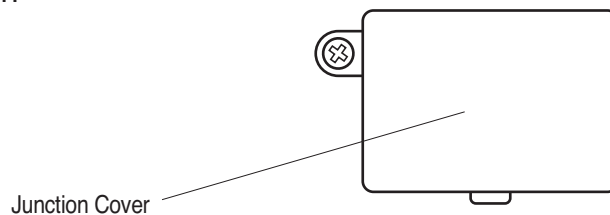
Step 7: WATER SUPPLY CONNECTION

1. When connecting, sealing tape or sealing compound should be used to avoid water leaks.
2. Before connecting, turn off the water supply.
3. After fitting the Elbow into the Inlet Valve, slide the Flexible Stainless Tube or Copper Tube into the Elbow.
4. Tighten the nut and make sure that the line is not kinked or sharply bent.



Step 8: ELECTRICAL POWER CONNECTION

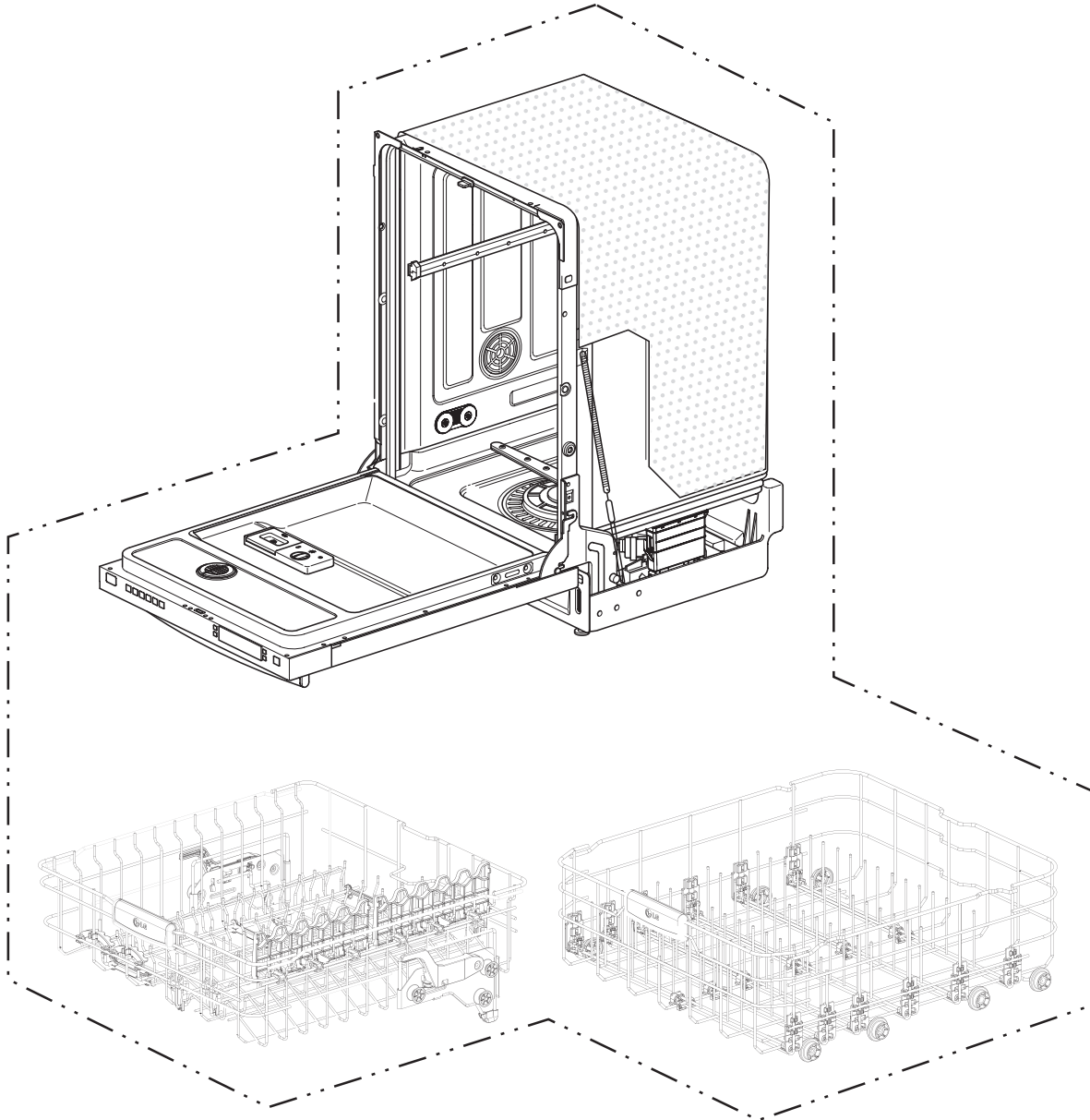
1. Before beginning, turn off electrical power to the unit at the circuit breaker.
2. Remove the Junction Cover and then Install the Strain Relief.
3. Twist Wire Connectors tightly on the wires. Wrap each connection with Electrical tape.
4. Check again and make sure that all wires are connected correctly, black to black, white to white, green to green (ground to ground).
5. Replace the Junction Cover.



Step 9: FINAL CHECKS

1. Turn electrical power back on at the circuit breaker.
2. Turn house water supply back on.
3. Operate the dishwasher through one cycle (Quick cycle is recommended) to check for water leaks and operating conditions.
4. Replace the Lower Cover.

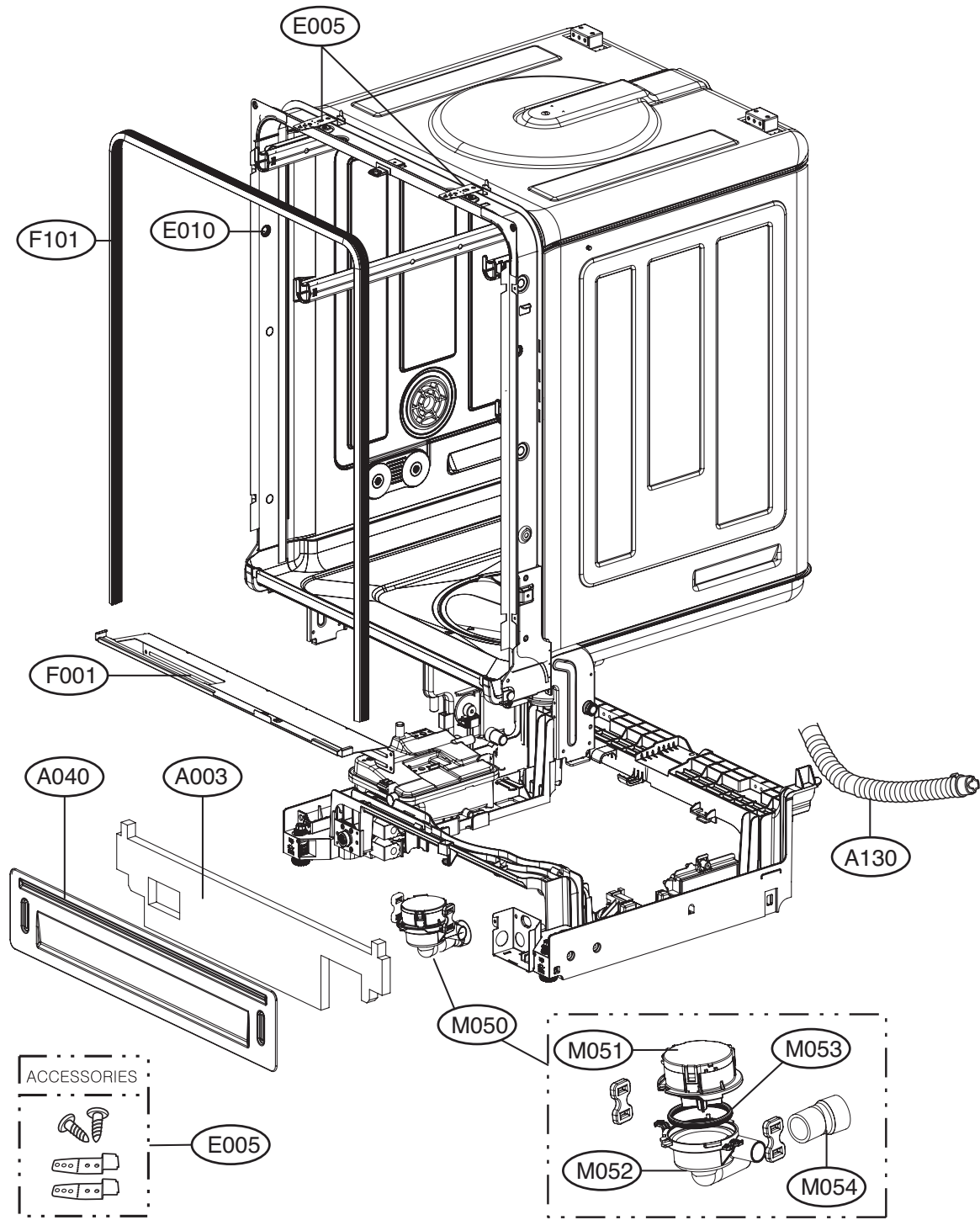
9. EXPLODED VIEW



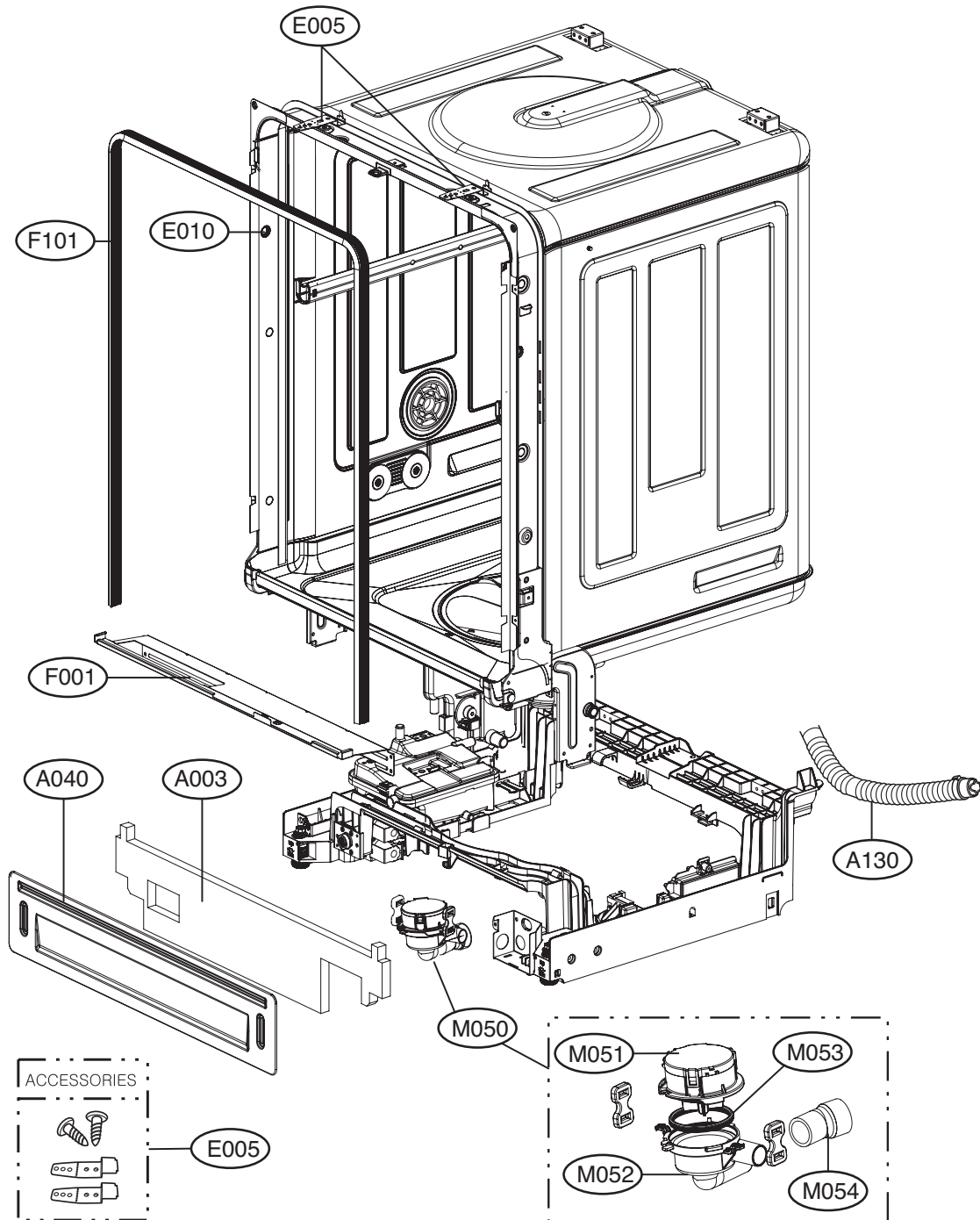
"The following parts are not illustrated"

	Description	Loc No.
Printed materials	*Owner's Manual	G001
	*Service Manual	G004

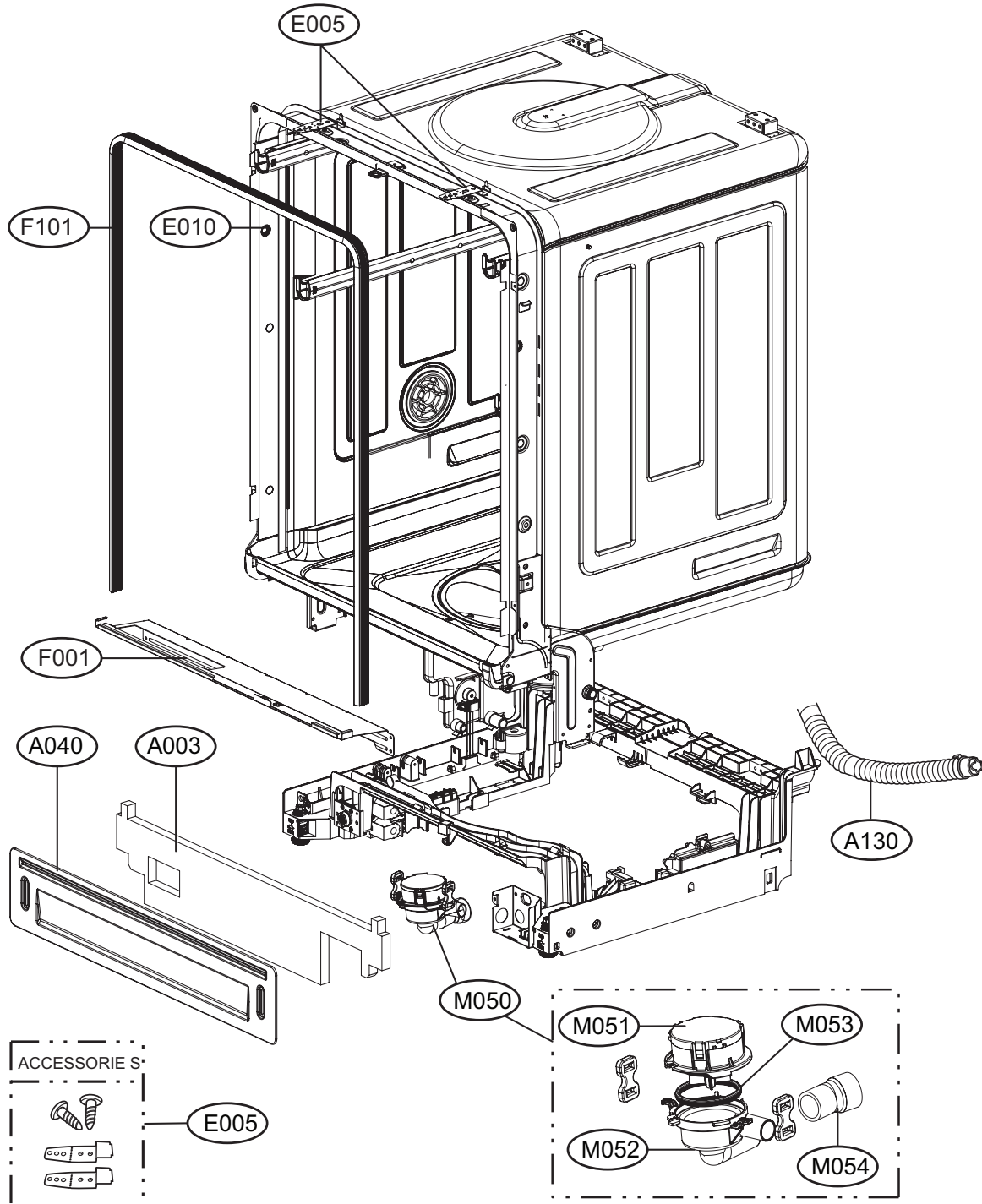
EXPLODED VIEW



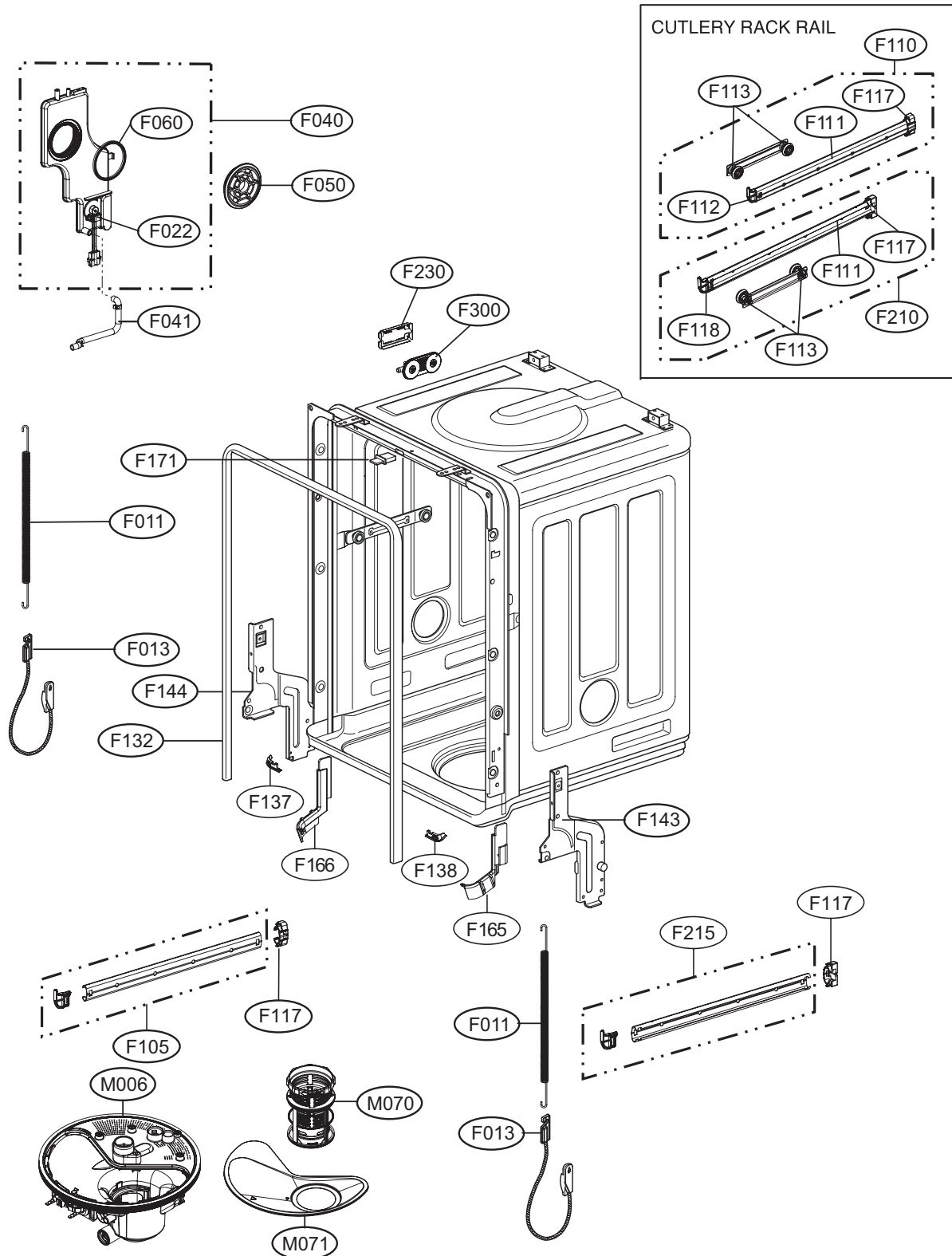
EXPLODED VIEW



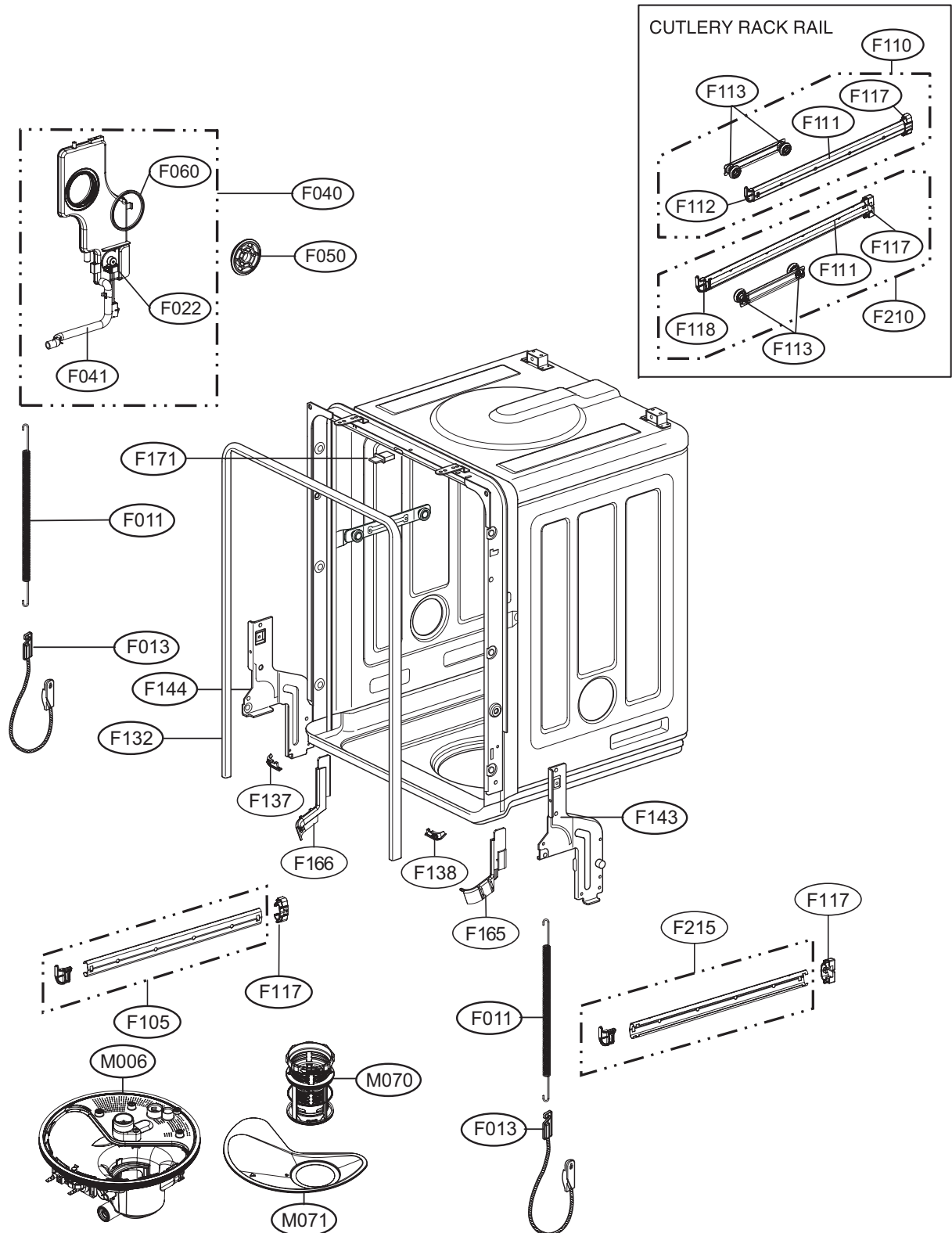
EXPLODED VIEW



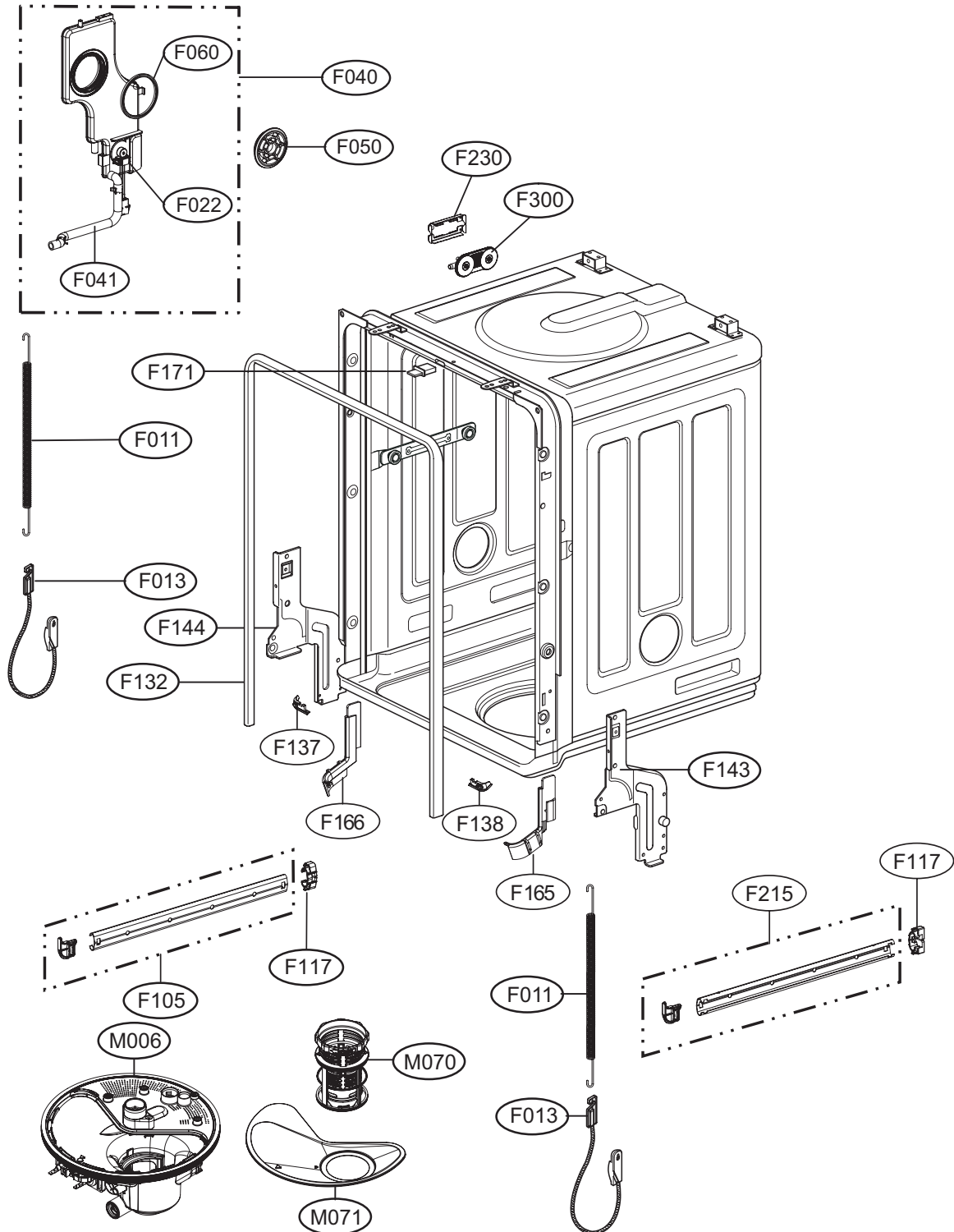
EXPLODED VIEW - TUB ASSEMBLY



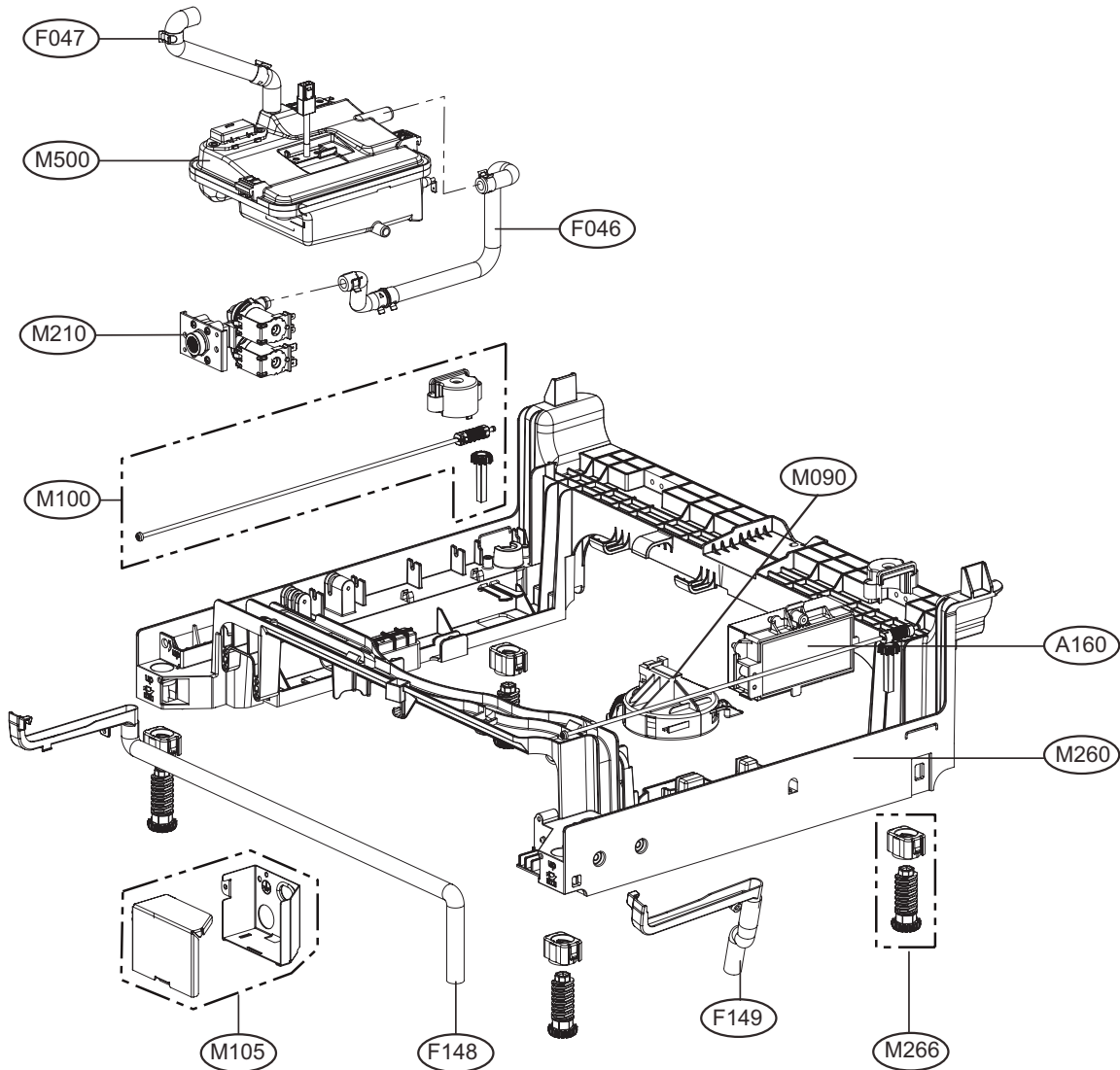
EXPLODED VIEW - TUB ASSEMBLY



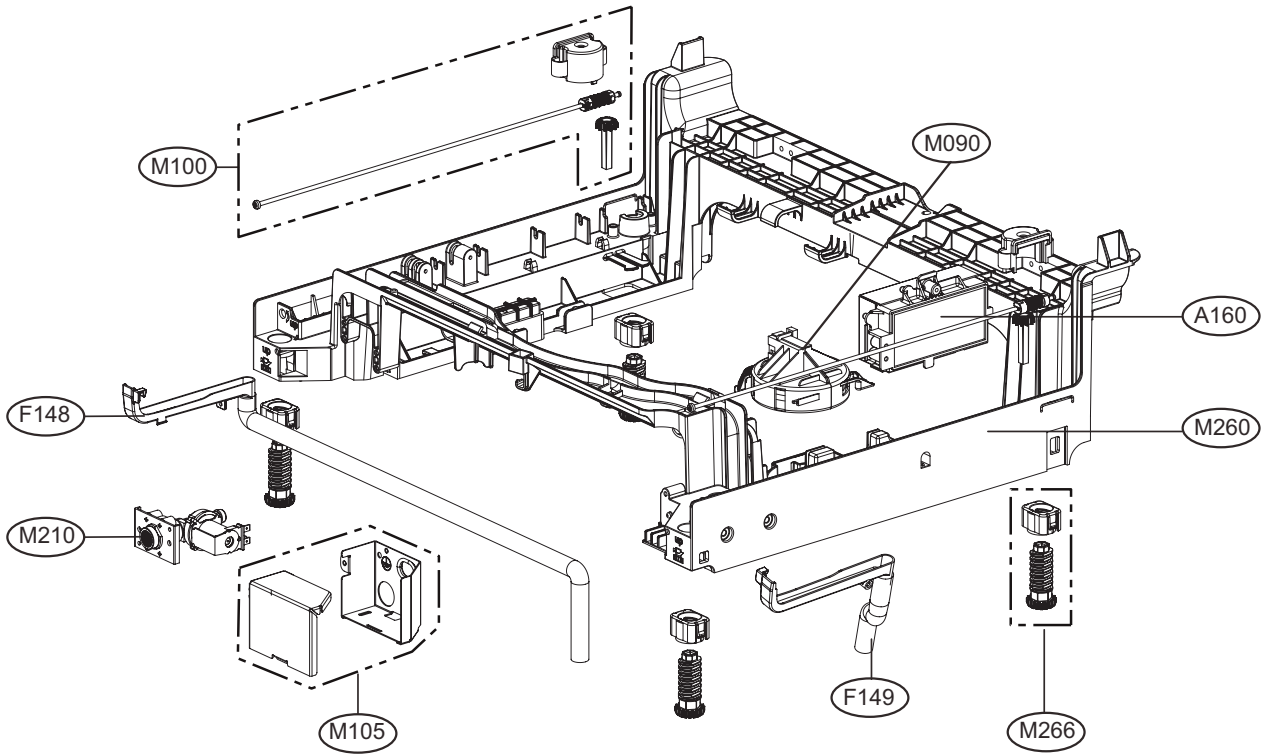
EXPLODED VIEW - TUB ASSEMBLY



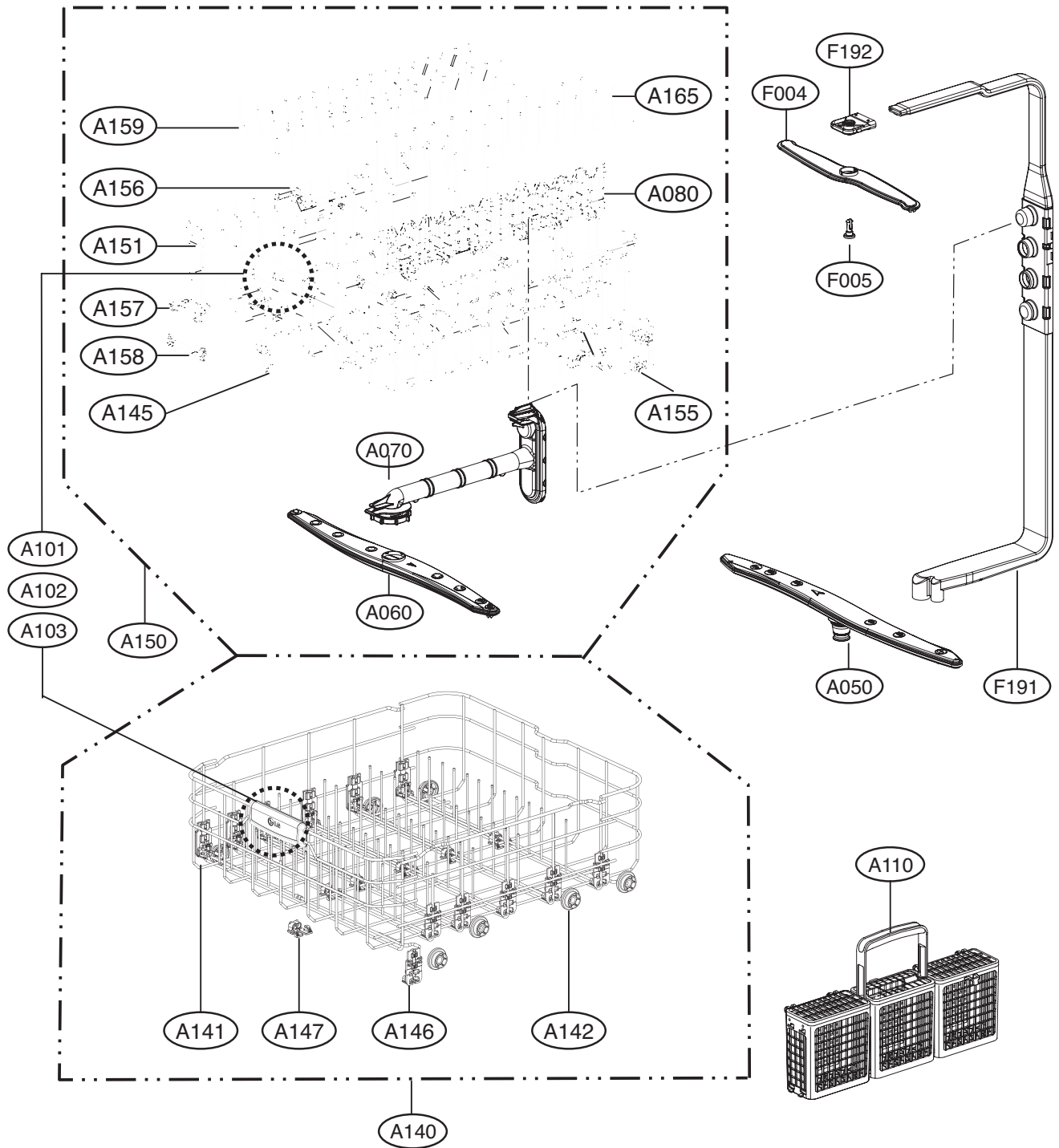
EXPLODED VIEW - BASE ASSEMBLY



EXPLODED VIEW - BASE ASSEMBLY

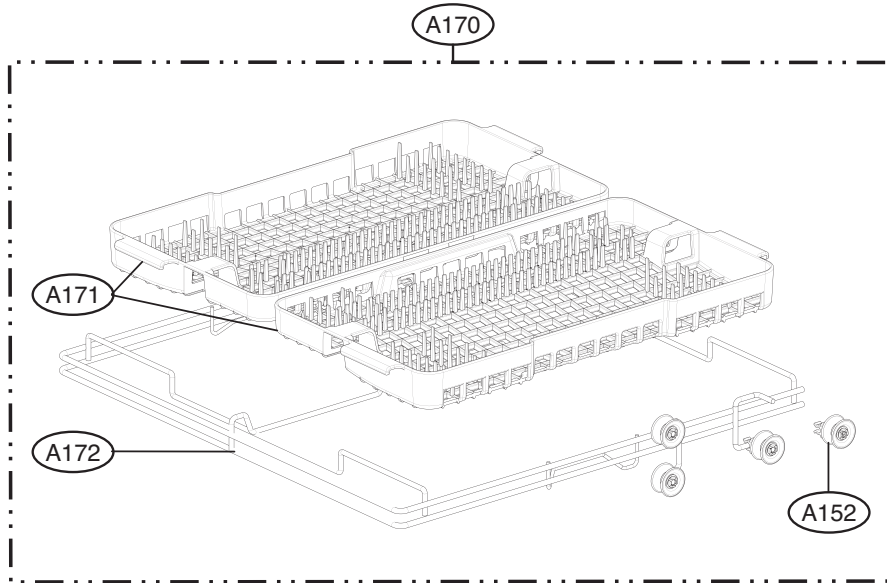


EXPLODED VIEW - RACK ASSEMBLY



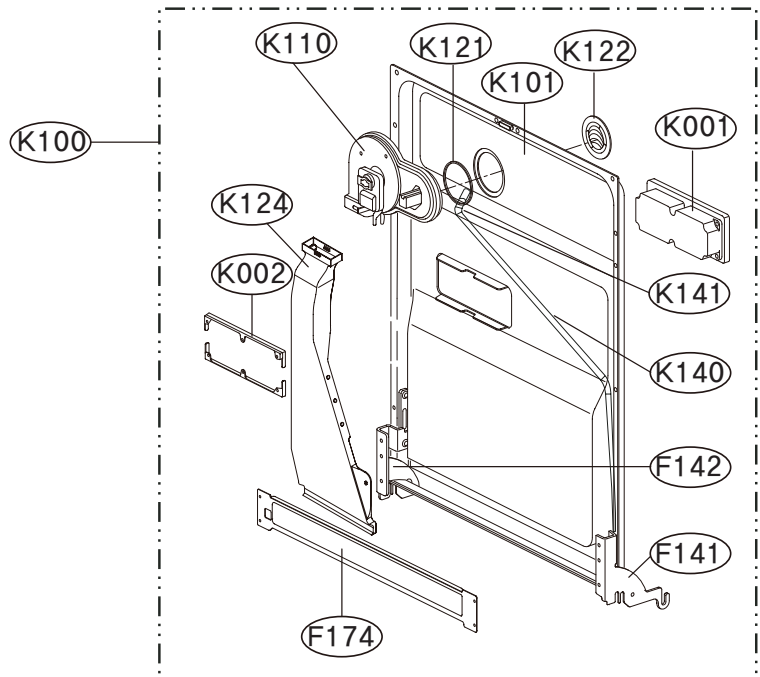
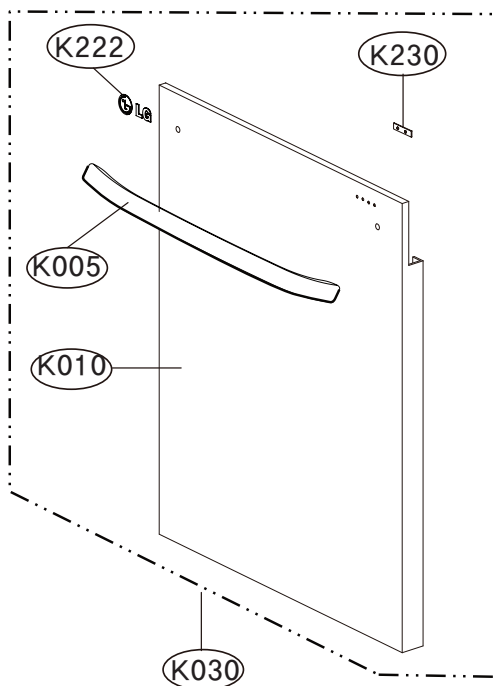
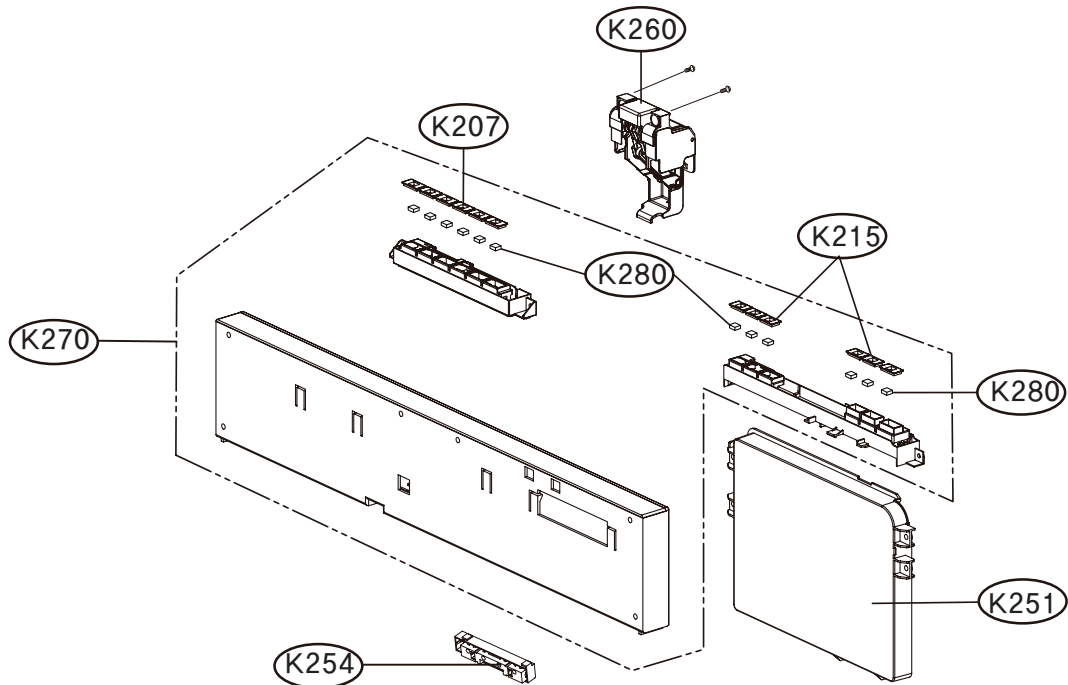
LDF8874 / LDF7774 / LDS5774

EXPLODED VIEW - CUTLERY RACK ASSEMBLY

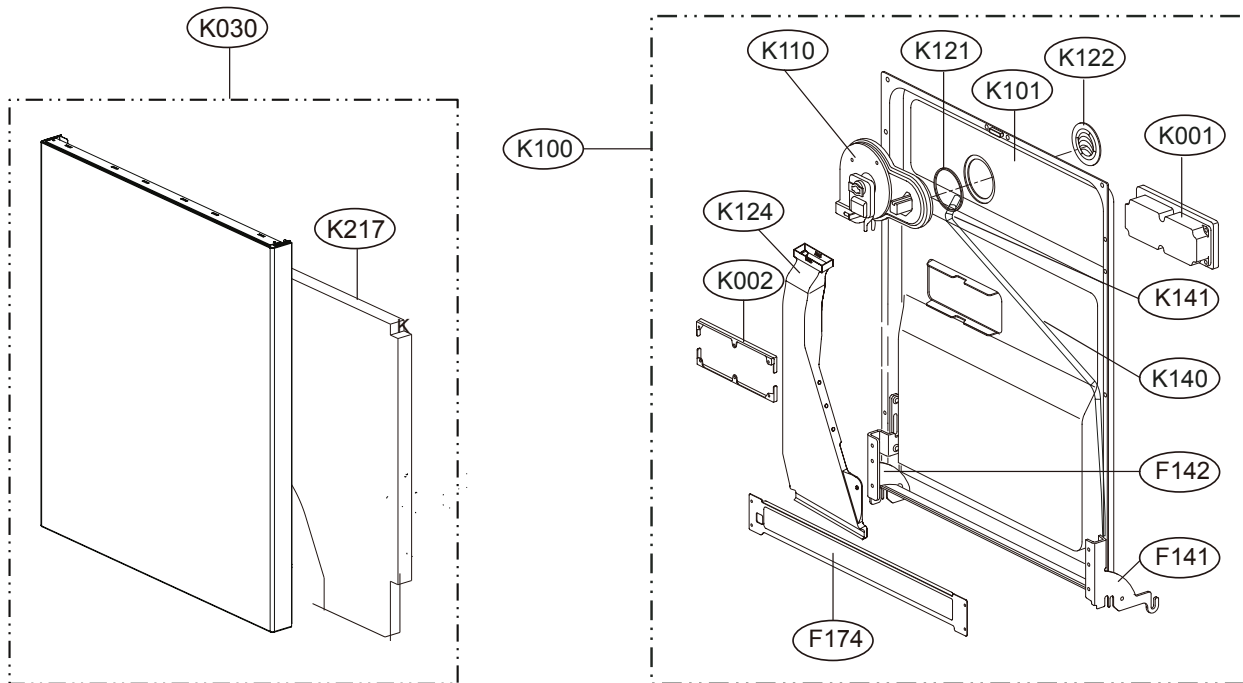
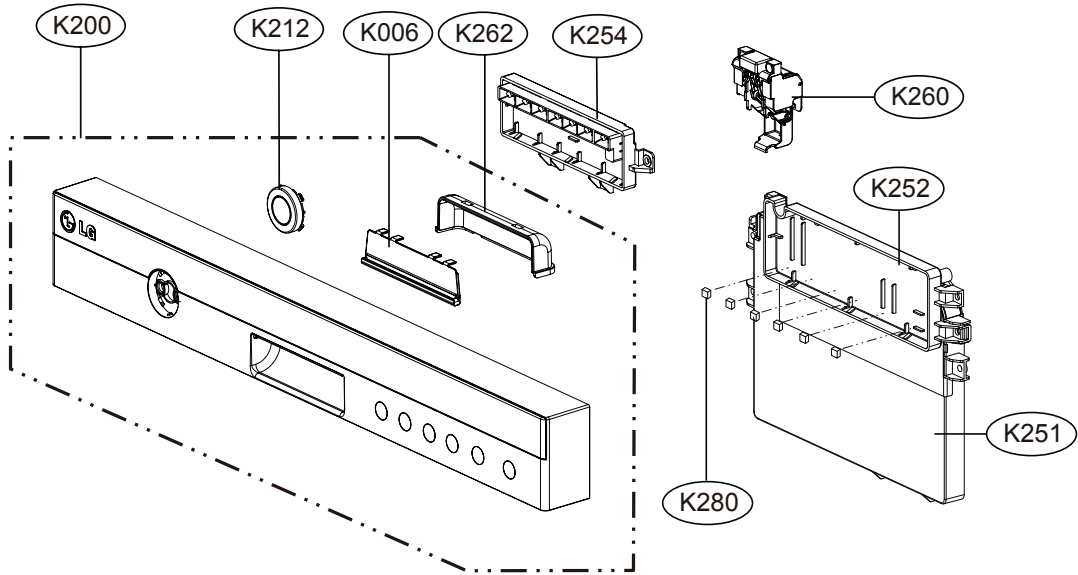


LDF8874 / LDF8764 / LDF7774

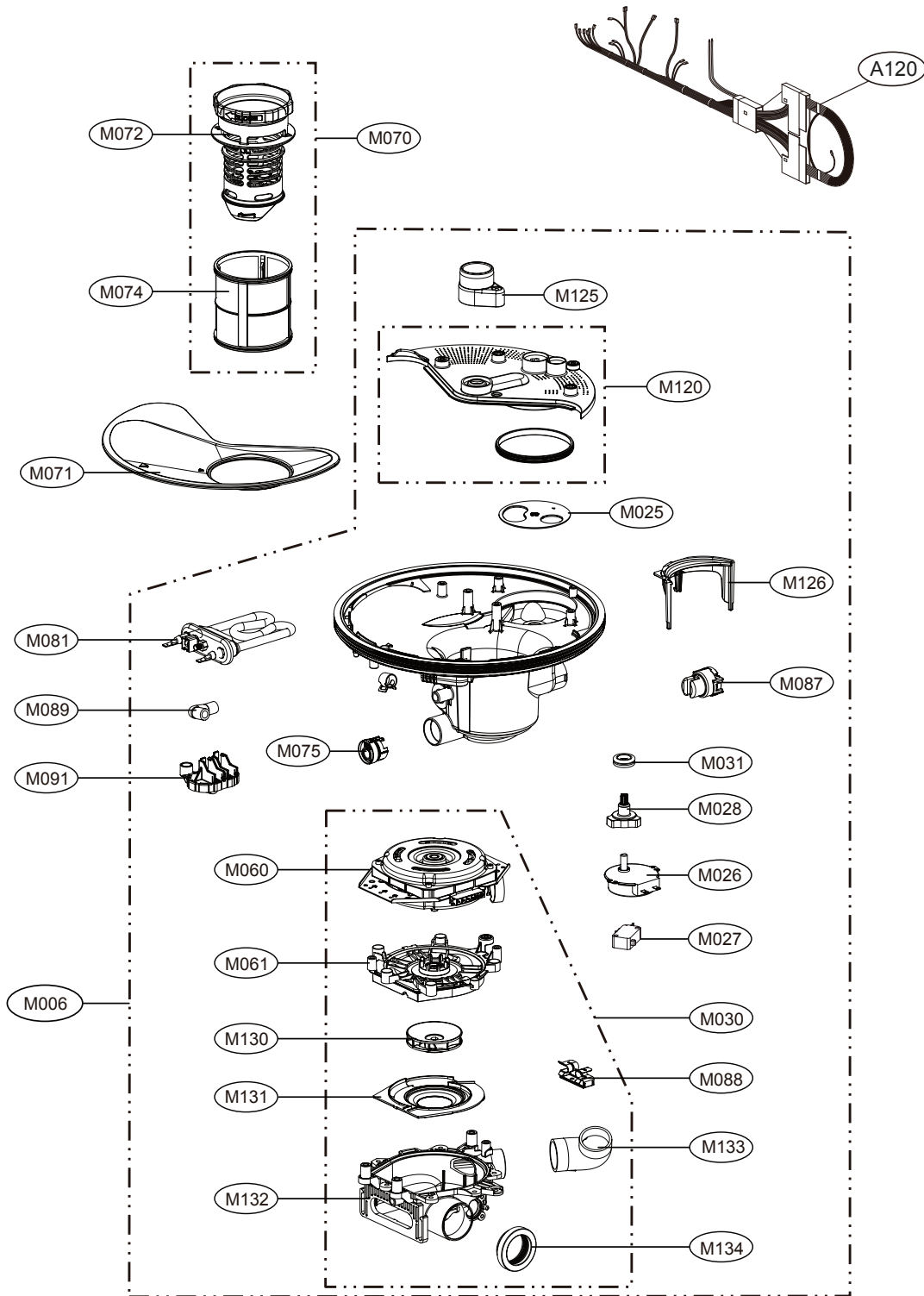
EXPLODED VIEW - PANEL / DOOR ASSEMBLY



EXPLODED VIEW - PANEL / DOOR ASSEMBLY

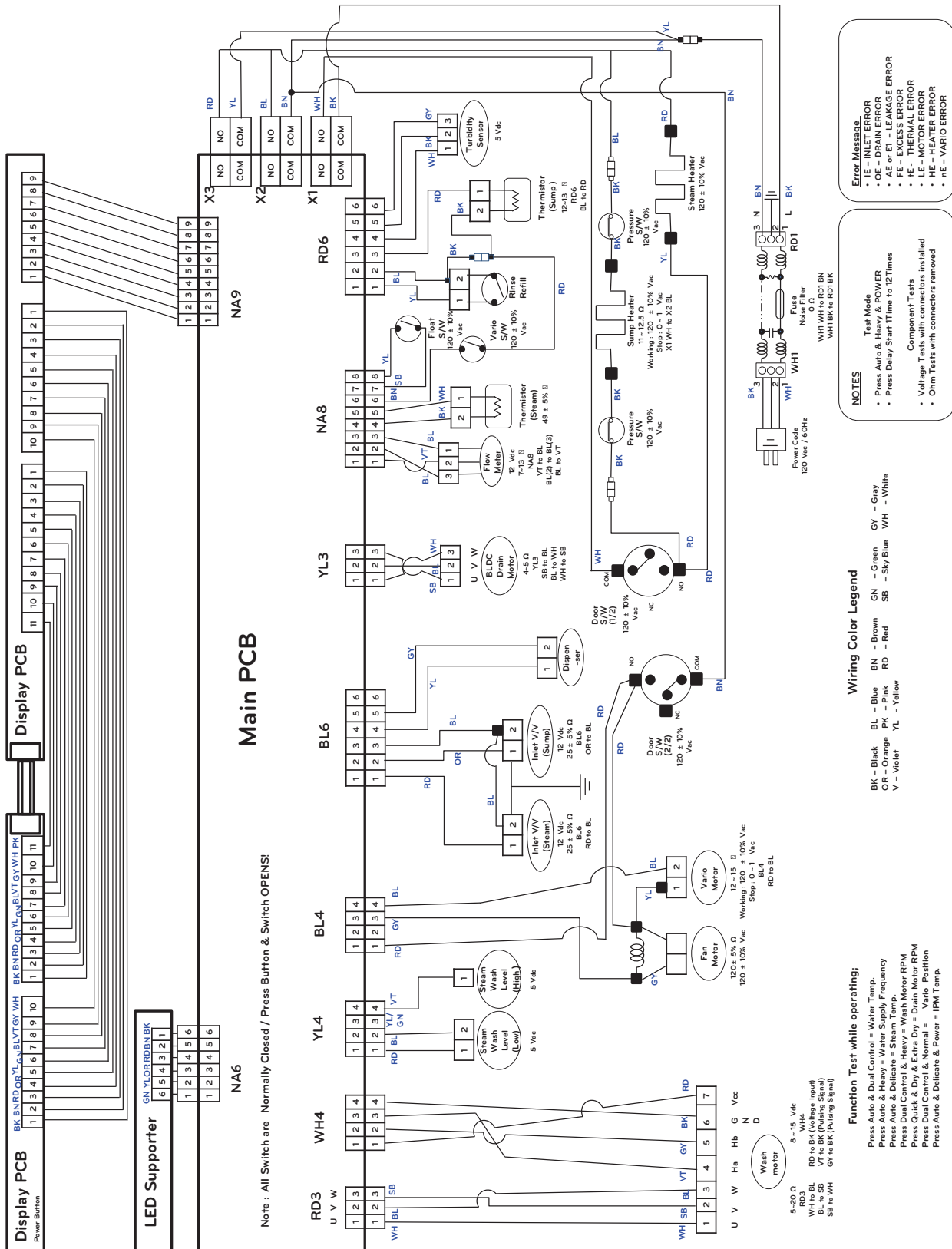


EXPLODED VIEW - SUMP ASSEMBLY

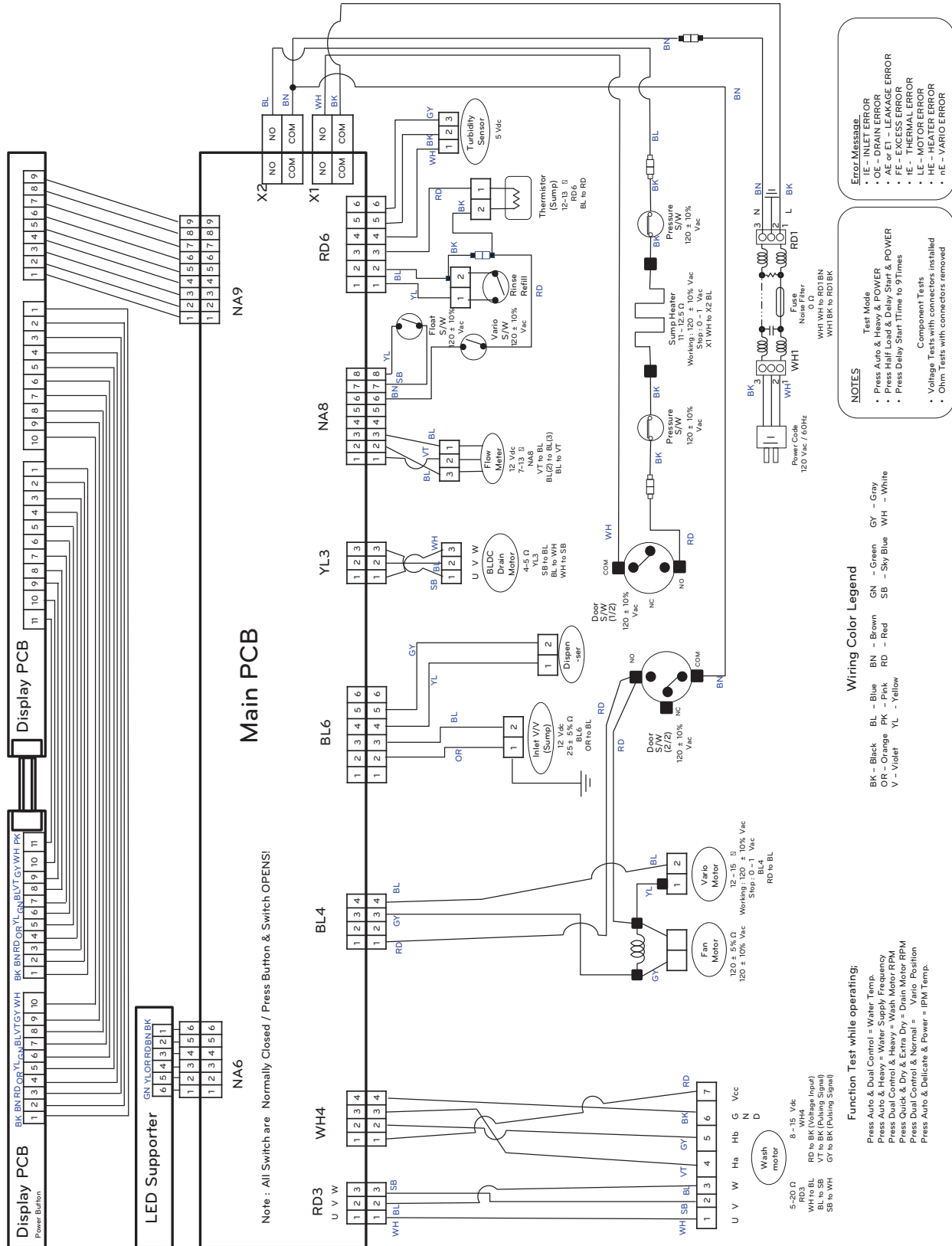


10. WIRING DIAGRAM

(LDF8874, LDF8764 Series)



(LDF7774, LDS5774 Series)





P/No. : MFL37554813