

OMC

ASSEMBLY MANUAL & PARTS LIST • MANUEL DE MONTAGE & LISTE DE PIÈCES • MANUAL DE ARMADO Y LISTA DE PARTES



STERLING 6 583264B
583267B
HUNTINGTON™ 683264B
683267B
broil-mate™ 783264B
783267B



STERLING 6 583264
583267
HUNTINGTON™ 683264
683267
broil-mate™ 783264
783267



STERLING 6 583254B
583257B
HUNTINGTON™ 683254B
683257B
broil-mate™ 783254B
783257B



STERLING 6 583254
583257
HUNTINGTON™ 683254
683257
broil-mate™ 783254
783257

RETAIN FOR FUTURE REFERENCE • VEUILLEZ CONSERVER POUR REFERENCE ULTERIEURE • CONSERVAR PARA FUTURAS CONSULTAS

1-800-265-2150

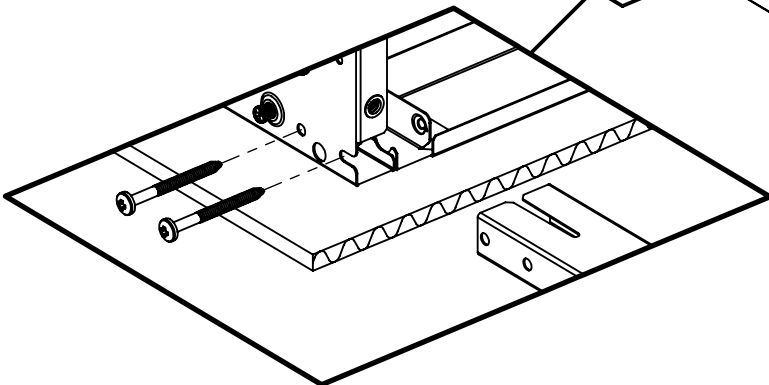
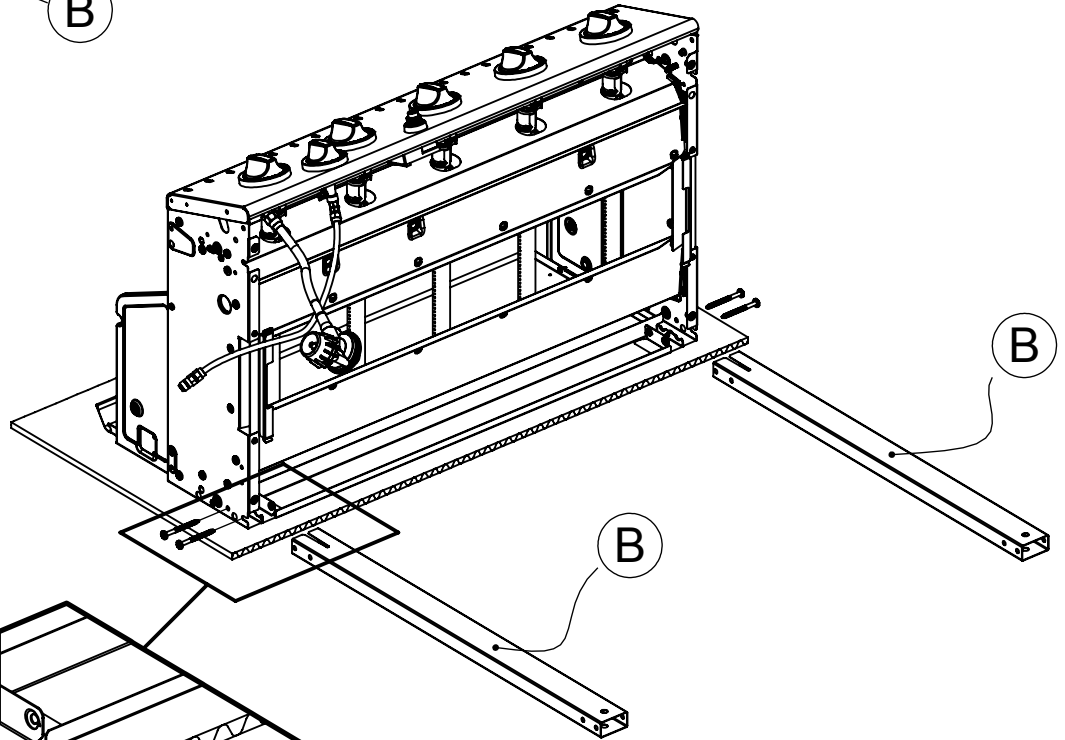
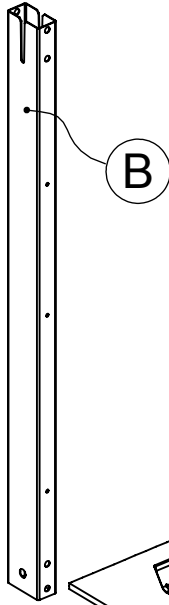
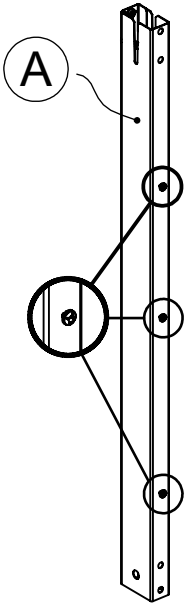
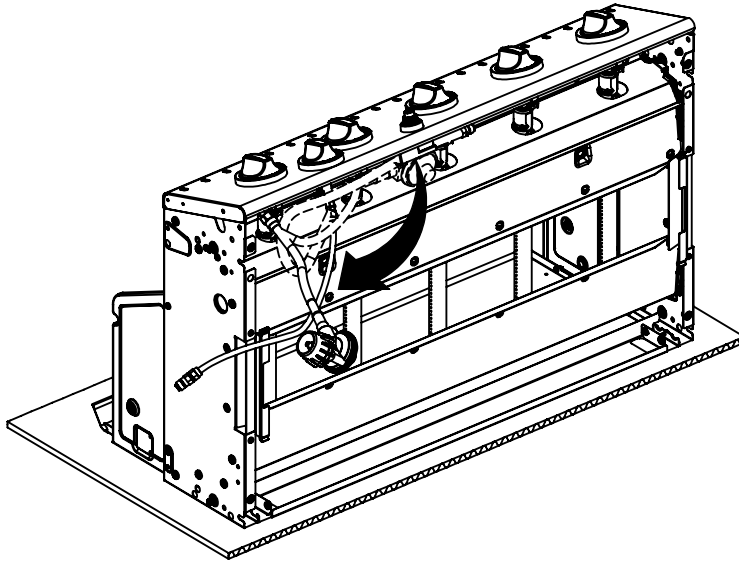
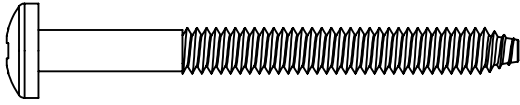
info@omcbbq.com

Onward
SINCE 1906
MANUFACTURING COMPANY
1000 EAST MARKET STREET
HUNTINGTON, INDIANA, 46750, USA

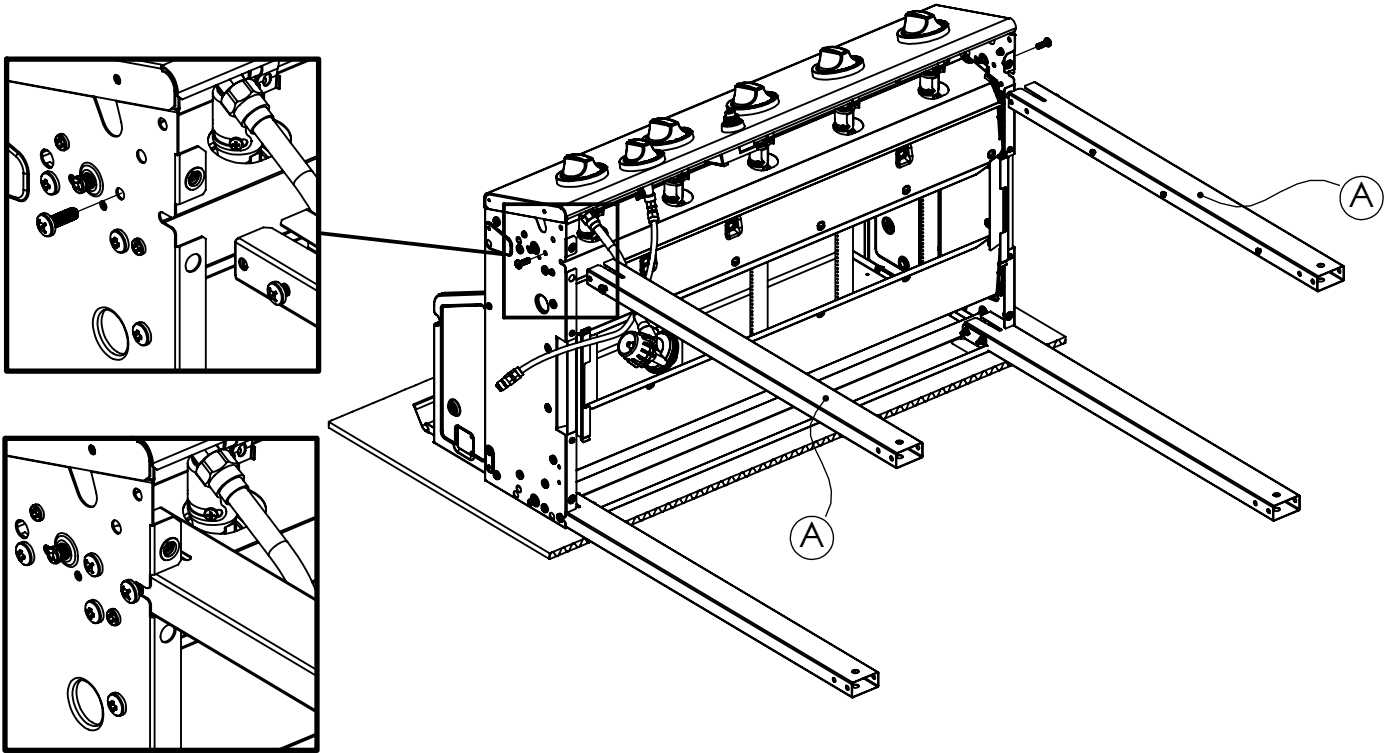
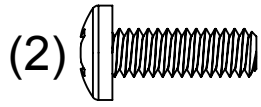
50084-C94 Rev A 09/15

1

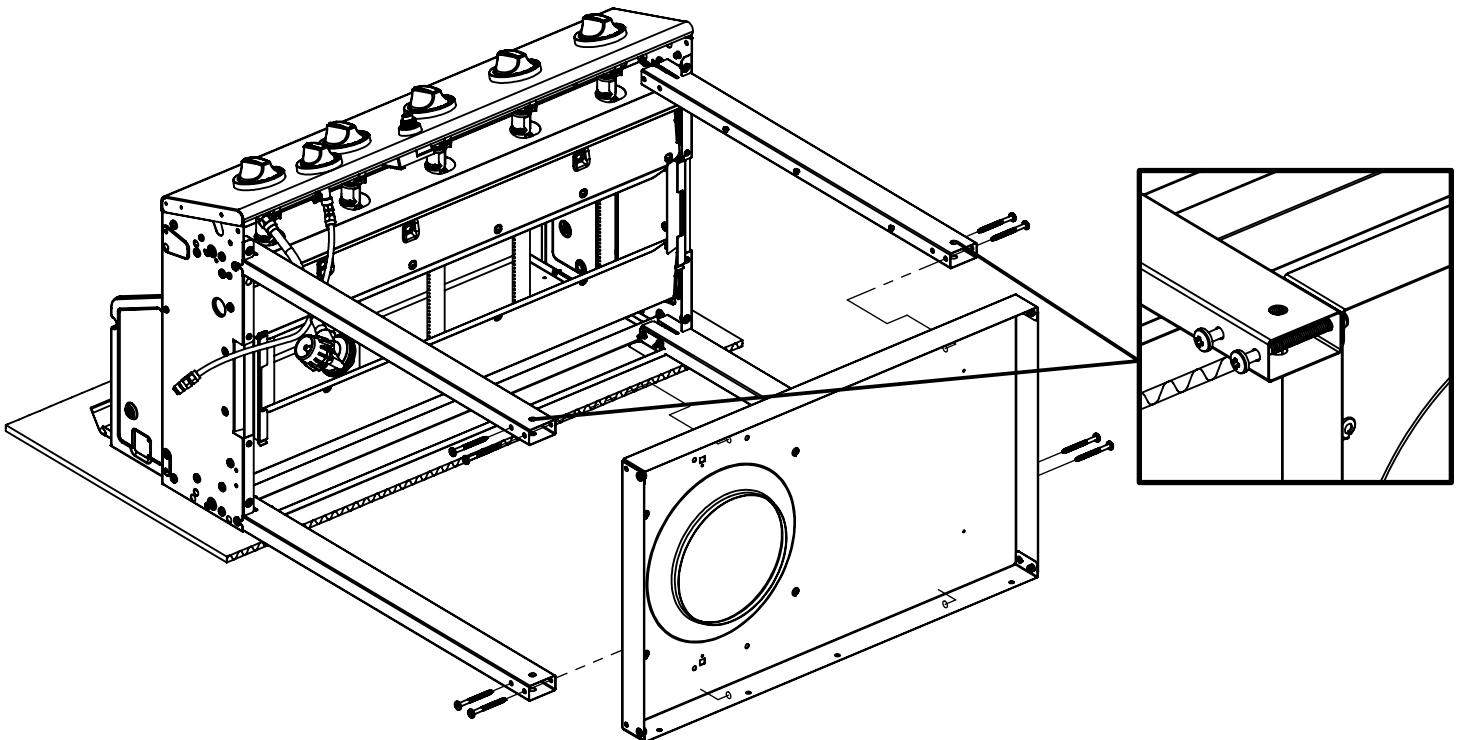
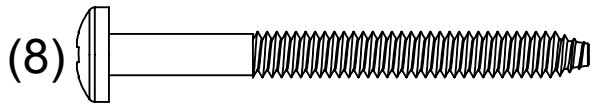
(4)



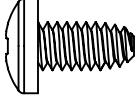
2

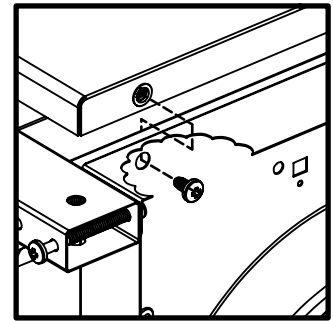
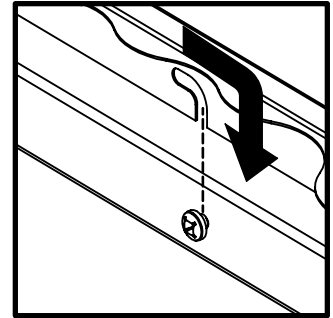
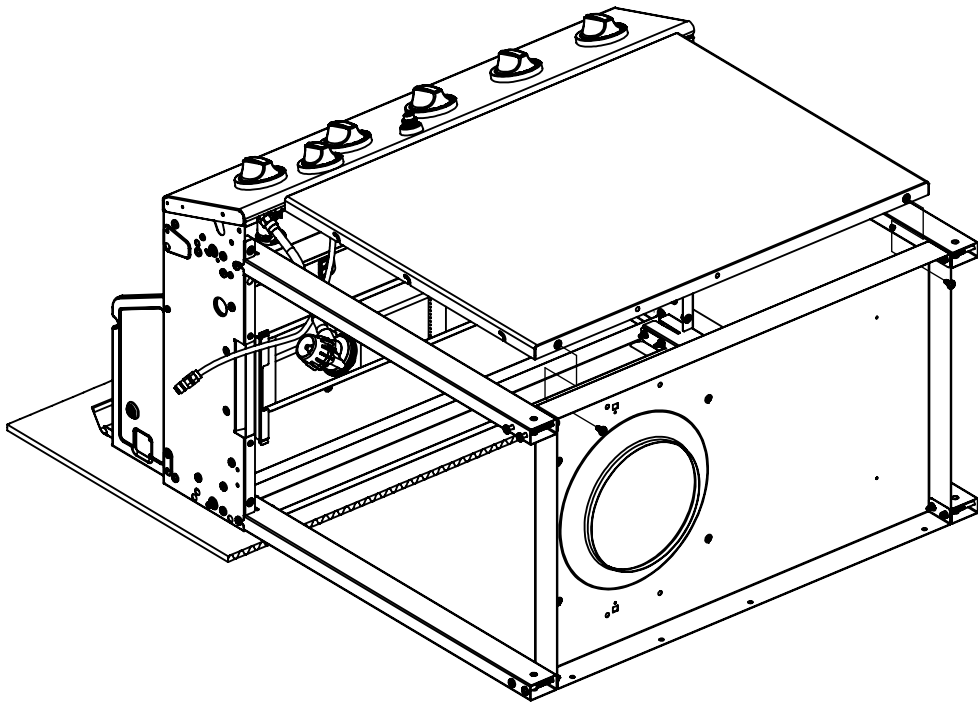


3

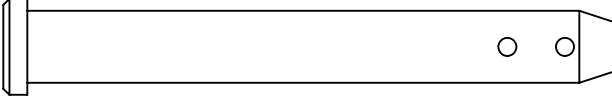


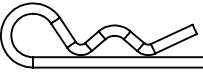
4

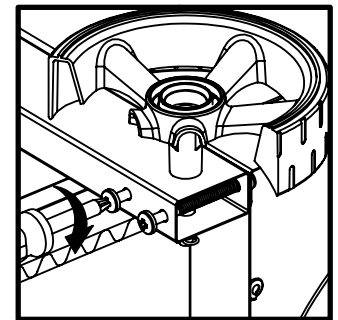
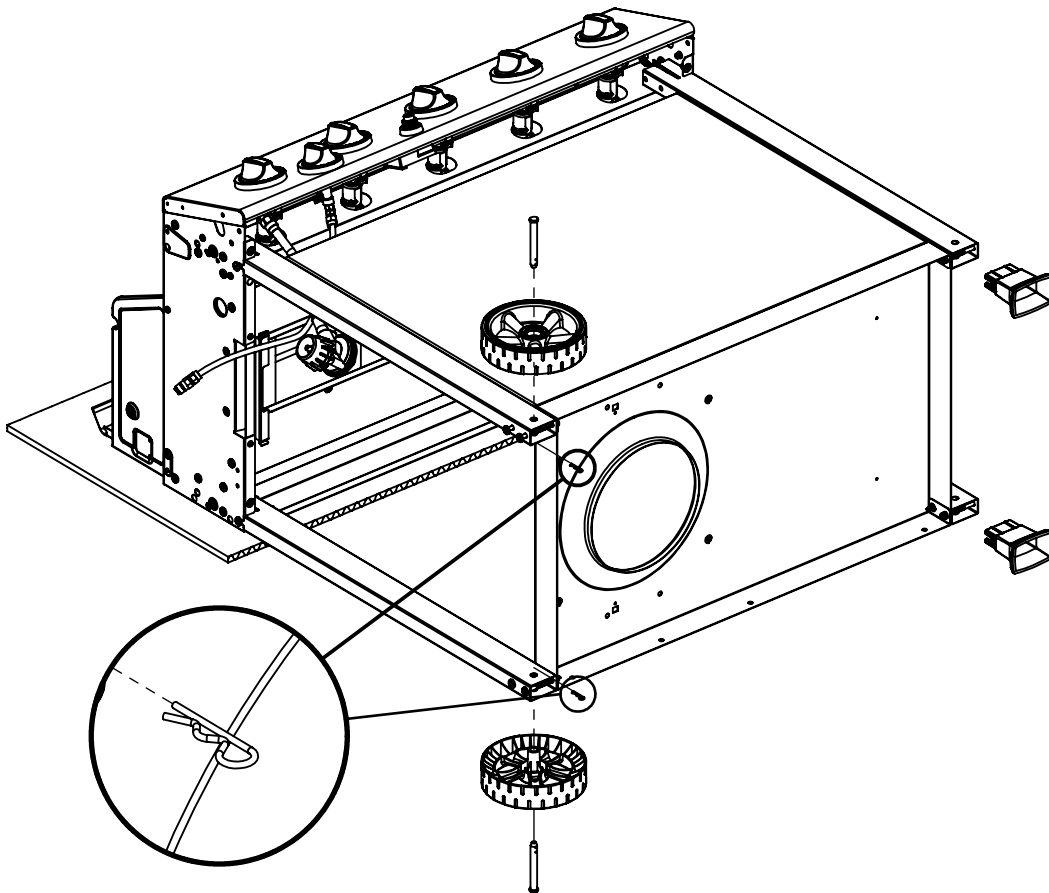
(2) 



5

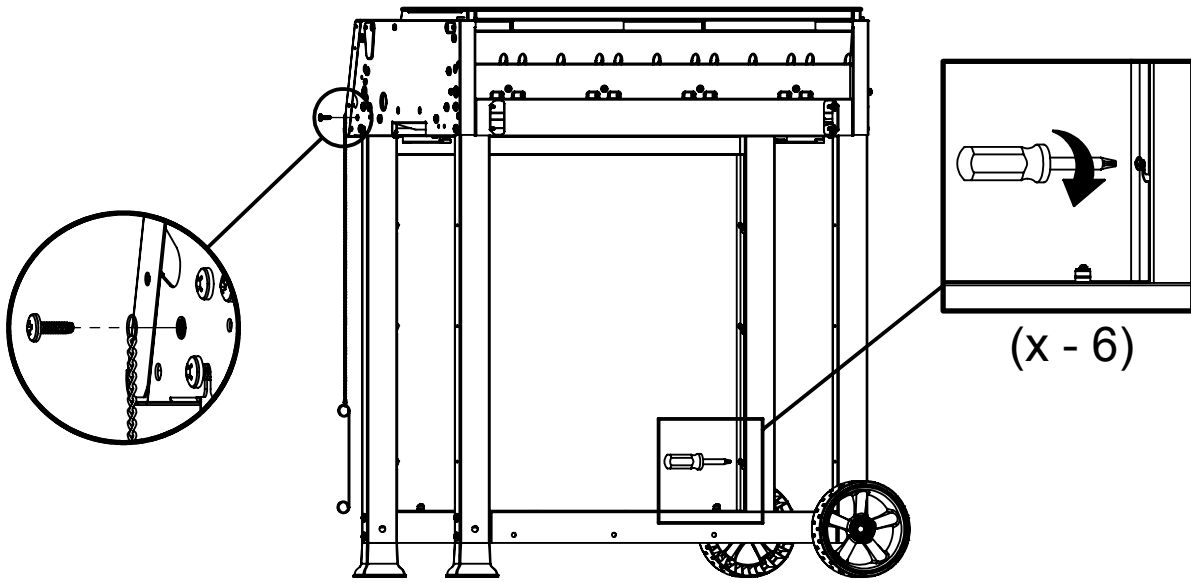
(2) 

(2) 

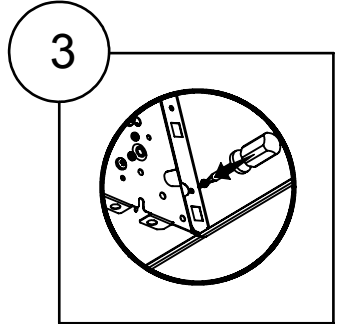
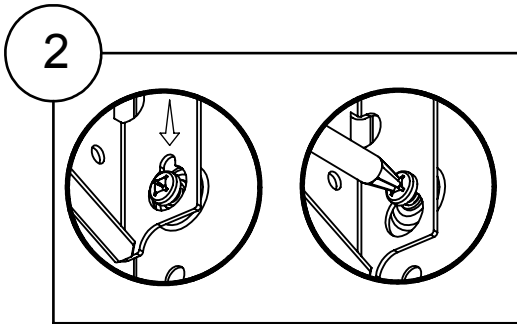
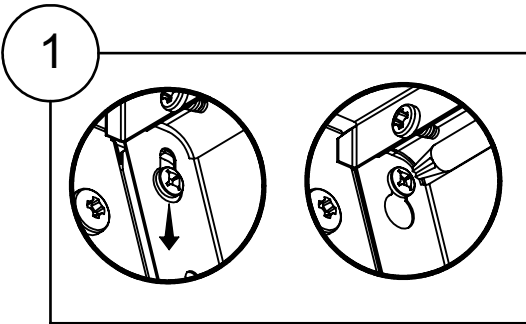
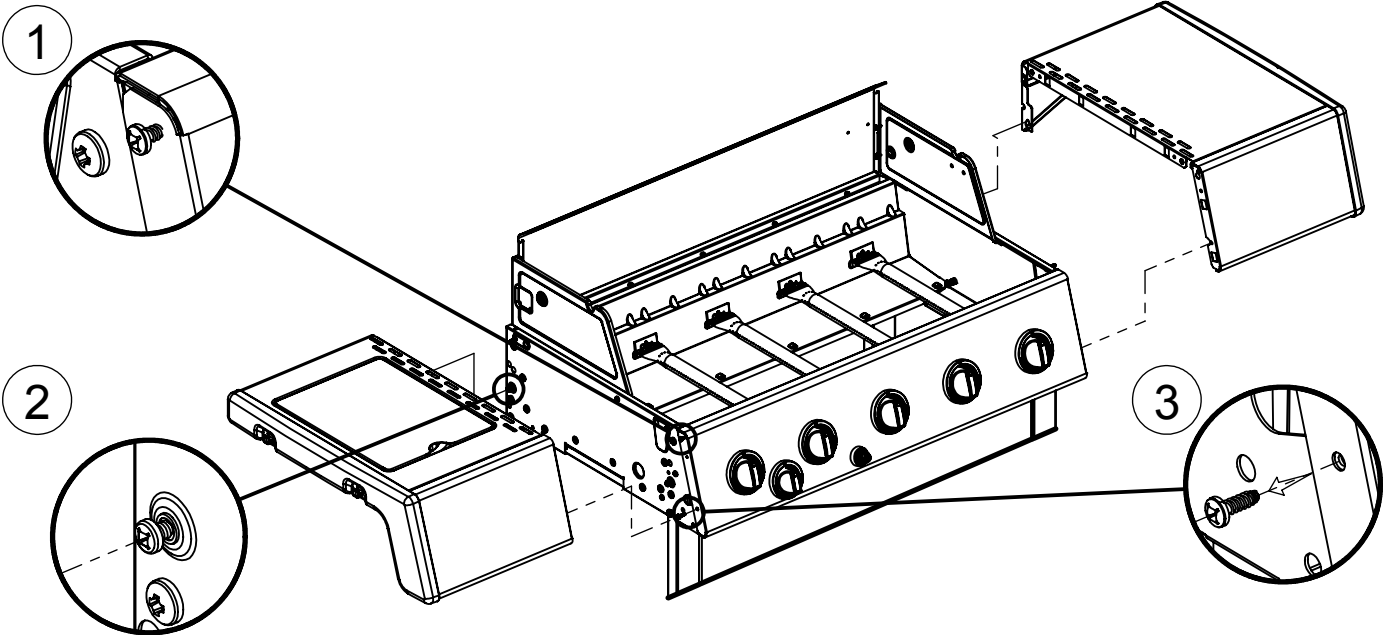


(x-8)

6

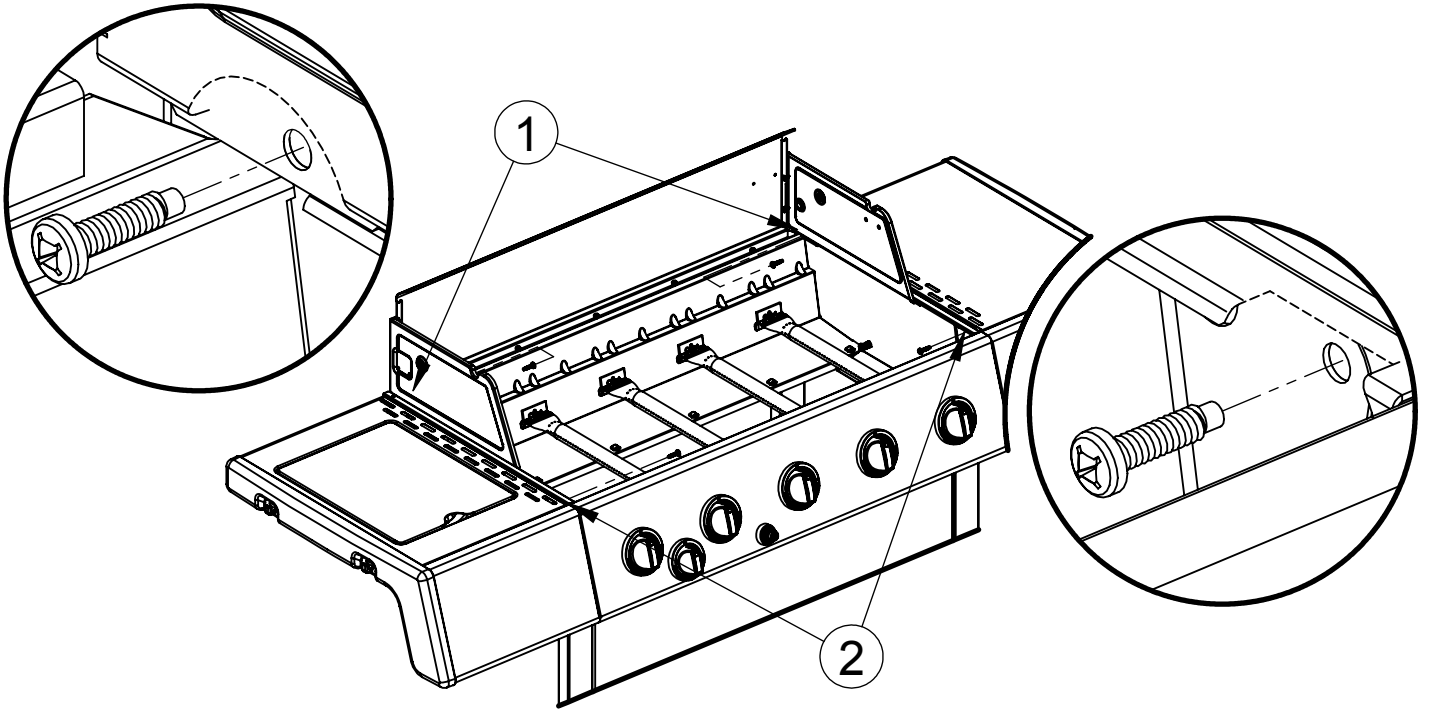


7



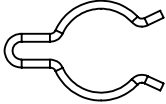
8

(4)

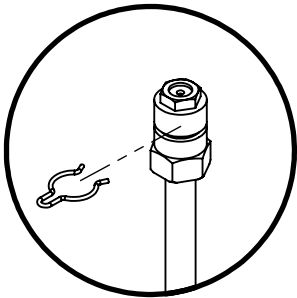


9

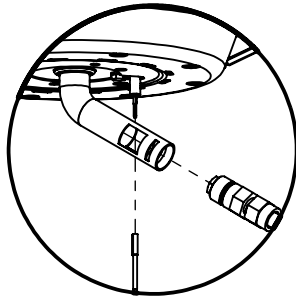
(1)



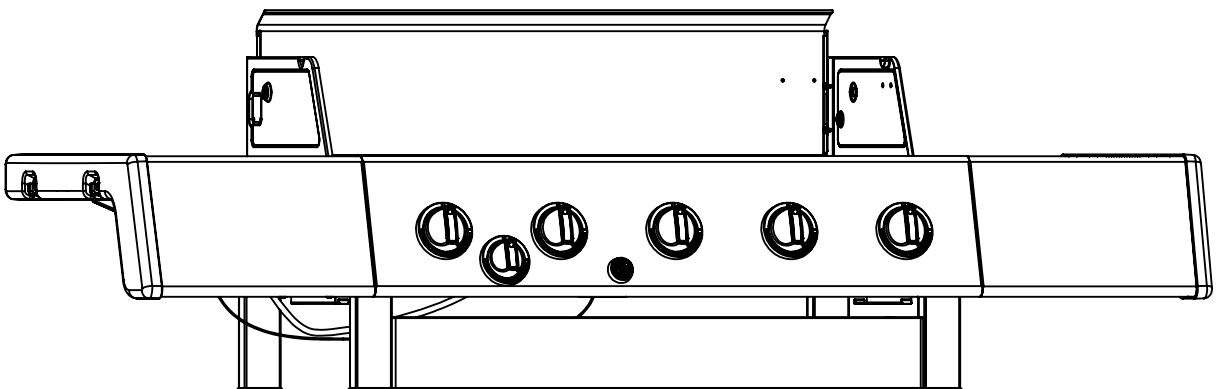
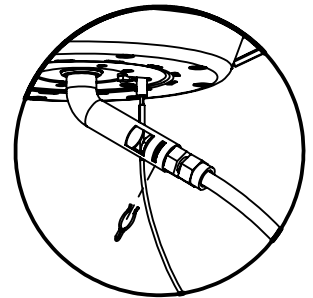
1

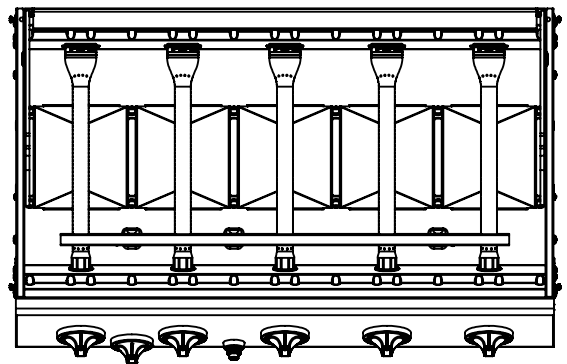
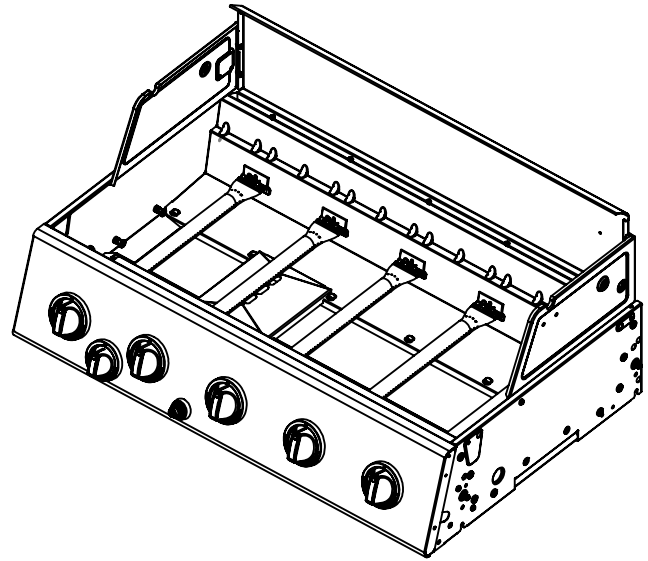
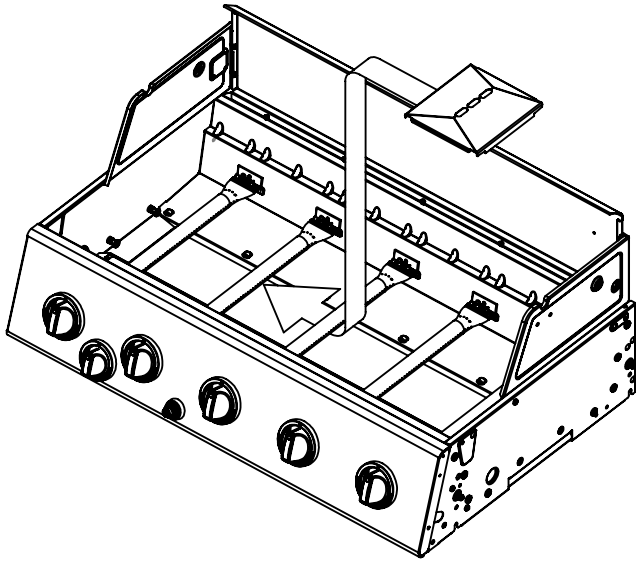
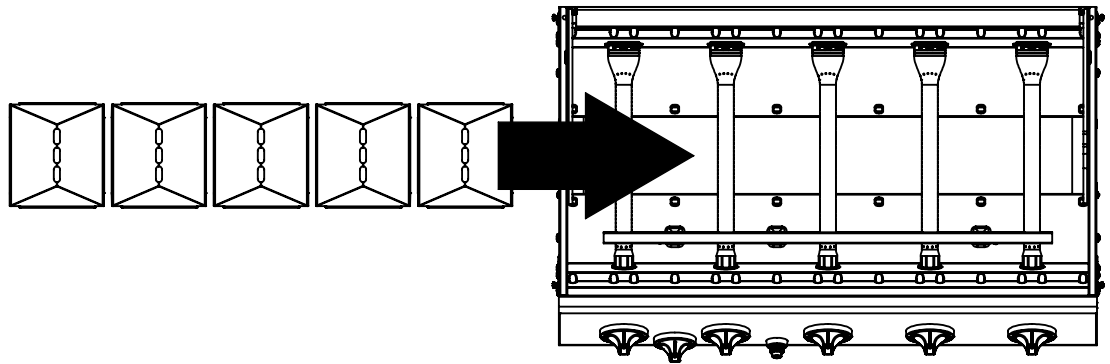


2

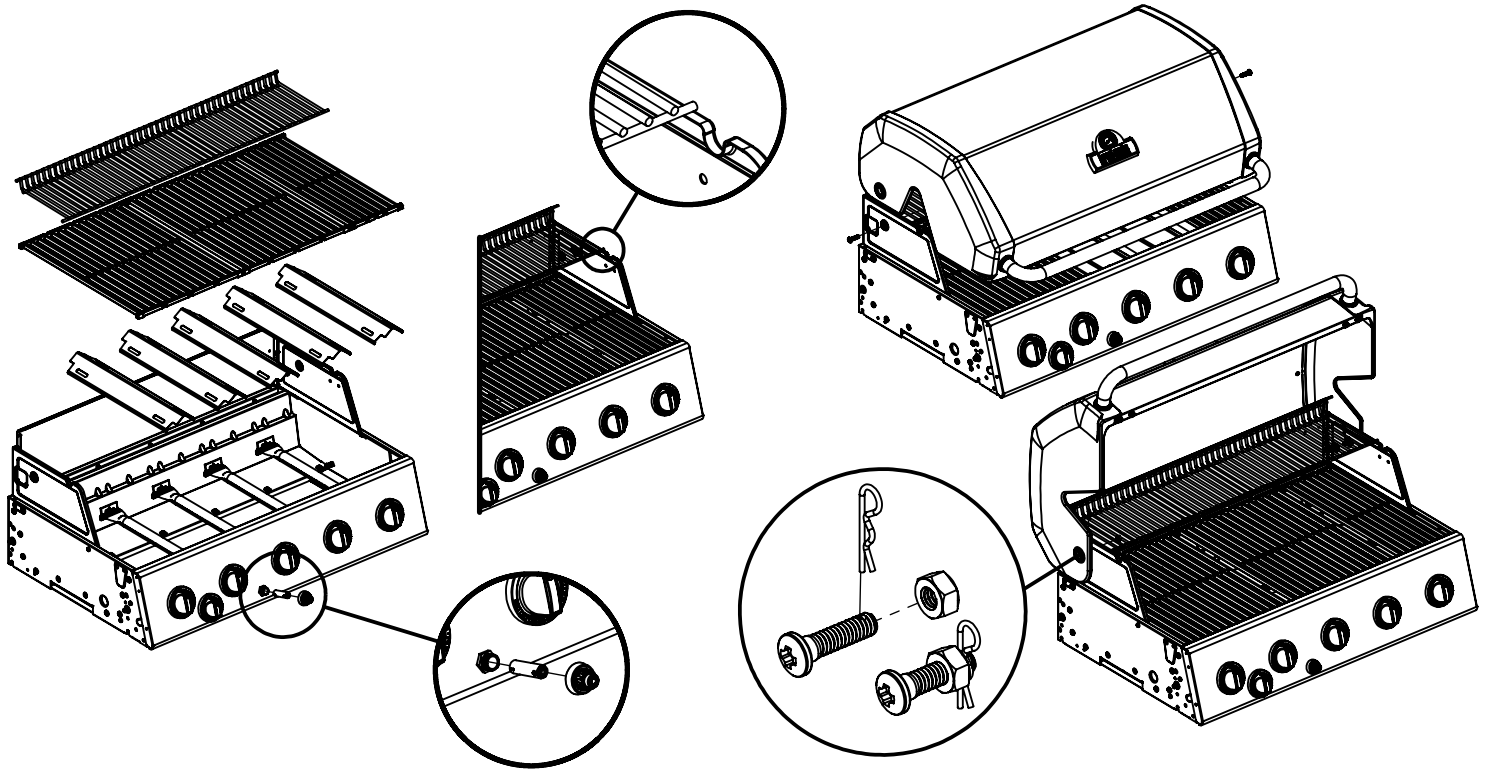
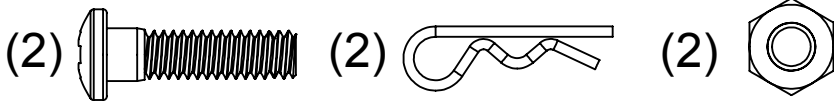


3

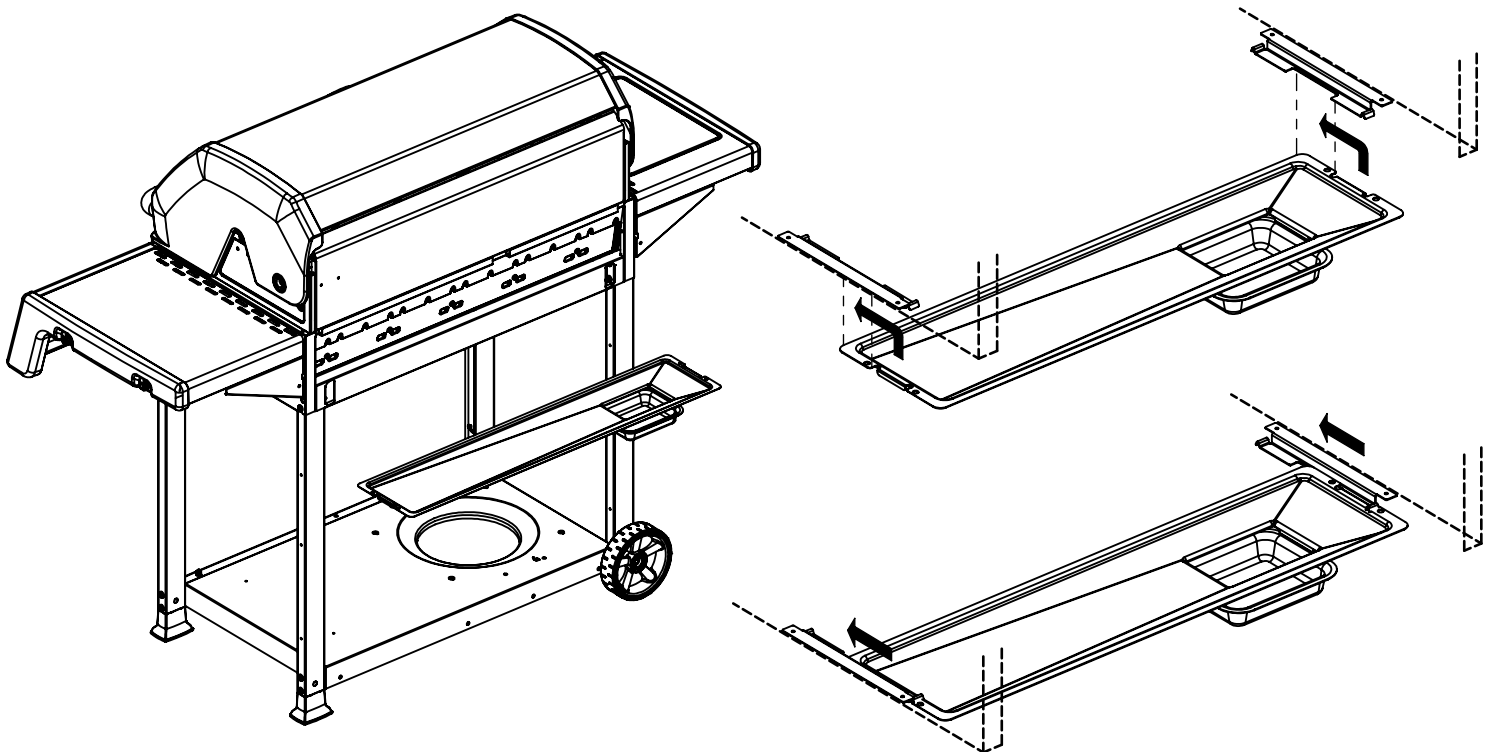





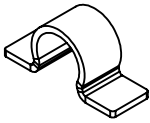
11

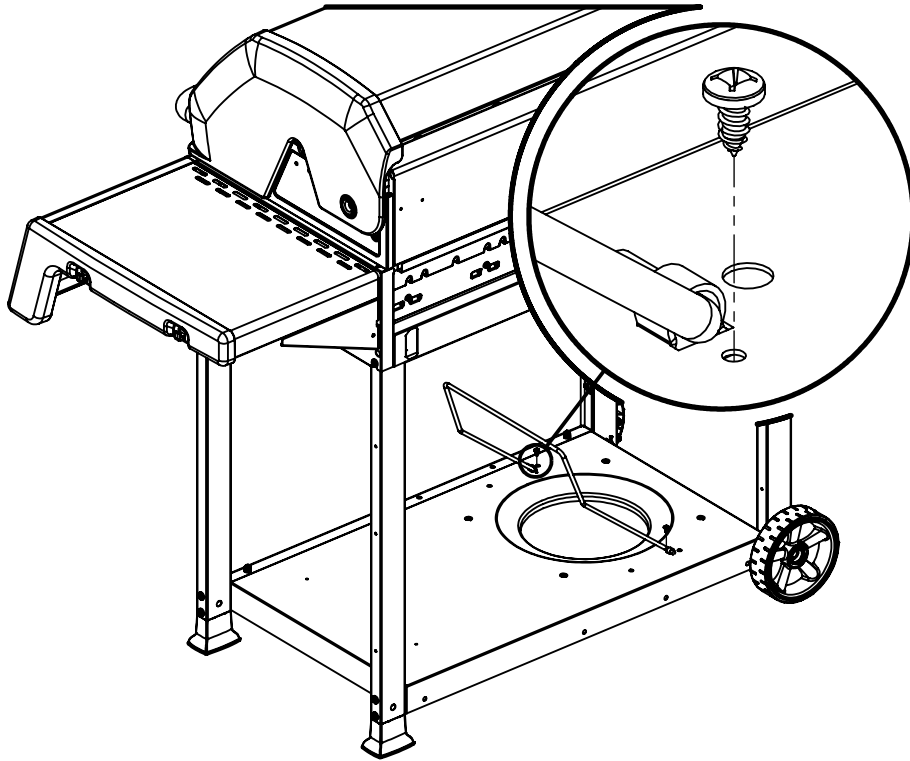


12



12

(2)  (2) 



13

