

# FARBERWARE®

## SPECIAL SELECT



## USE & CARE INSTRUCTIONS

### 16-SPEED STAND MIXER

FOR MODELS: FSM126EM (White), FSM126RM (Red),  
FSM126BKM (Black), FSM126CBM (Cobalt Blue),  
FSM126BRXM (Bronze)

# **IMPORTANT SAFEGUARDS**

When using electrical appliances, basic safety precautions should always be followed including the following:

1. Read all instructions.
2. To protect against risk of electrical shock do not put cord, plugs, or appliance in water or other liquid.
3. Close supervision is necessary when any appliance is used by or near children.
4. Unplug from outlet when not in use, before putting on or taking off parts, and before cleaning.
5. Avoid contacting moving parts.
6. Do not operate any appliance with a damaged cord or plug or after the appliance malfunctions, or is dropped or damaged in any manner. Contact Consumer Service for examination, repair or electrical or mechanical adjustment.
7. The use of attachments not recommended or sold by the manufacturer may cause fire, electric shock, or injury.
8. Do not use outdoors.
9. Do not let cord hang over edge of table or counter.
10. Do not let cord contact hot surface, including the stove.
11. Keep hands, hair, clothing, as well as spatulas and other utensils away from Beaters, Cookie Dough Hooks or Whisk during operation to reduce the risk of injury to persons and/or damage to the Mixer.
12. Remove Beaters, Cookie Dough Hooks or Whisk from Mixer before washing.

**SAVE THESE INSTRUCTIONS  
FOR HOUSEHOLD USE ONLY**

## ADDITIONAL IMPORTANT SAFEGUARDS

1. All users of this appliance must read and understand this Owner's Manual before operating or cleaning this appliance.
2. The cord to this appliance should be plugged into a 120V AC electrical outlet only.
3. Do not leave this appliance unattended during use.
4. If this appliance begins to malfunction during use, immediately press the ON/OFF Button to turn the unit off and unplug the cord. Do not use or attempt to repair the malfunctioning appliance.
5. If this appliance falls or accidentally becomes immersed in water, unplug it immediately. **Do not reach into the water!** Do not use this appliance after it has fallen into or becomes immersed in water.
6. To reduce the risk of injury to persons or property, never use this appliance in an unstable position.
7. Do not use this appliance for other than its intended use.

## POLARIZED PLUG

This appliance has a polarized plug (one blade is wider than the other). To reduce the risk of electric shock, this plug is intended to fit into a polarized outlet only one way. If the plug does not fit fully in the outlet, reverse the plug. If it still does not fit, contact a qualified electrician. Do not attempt to modify the plug in any way.

## SHORT CORD INSTRUCTIONS

A short power-supply cord is provided to reduce the risk resulting from becoming entangled in or tripping over a longer cord.

Do not use an extension cord with this product.

## PLASTICIZER WARNING

**CAUTION:** To prevent Plasticizers from migrating from the finish of the countertop or tabletop or other furniture, place **NON-PLASTIC** coasters or placemats between the appliance and the finish of the countertop or tabletop.

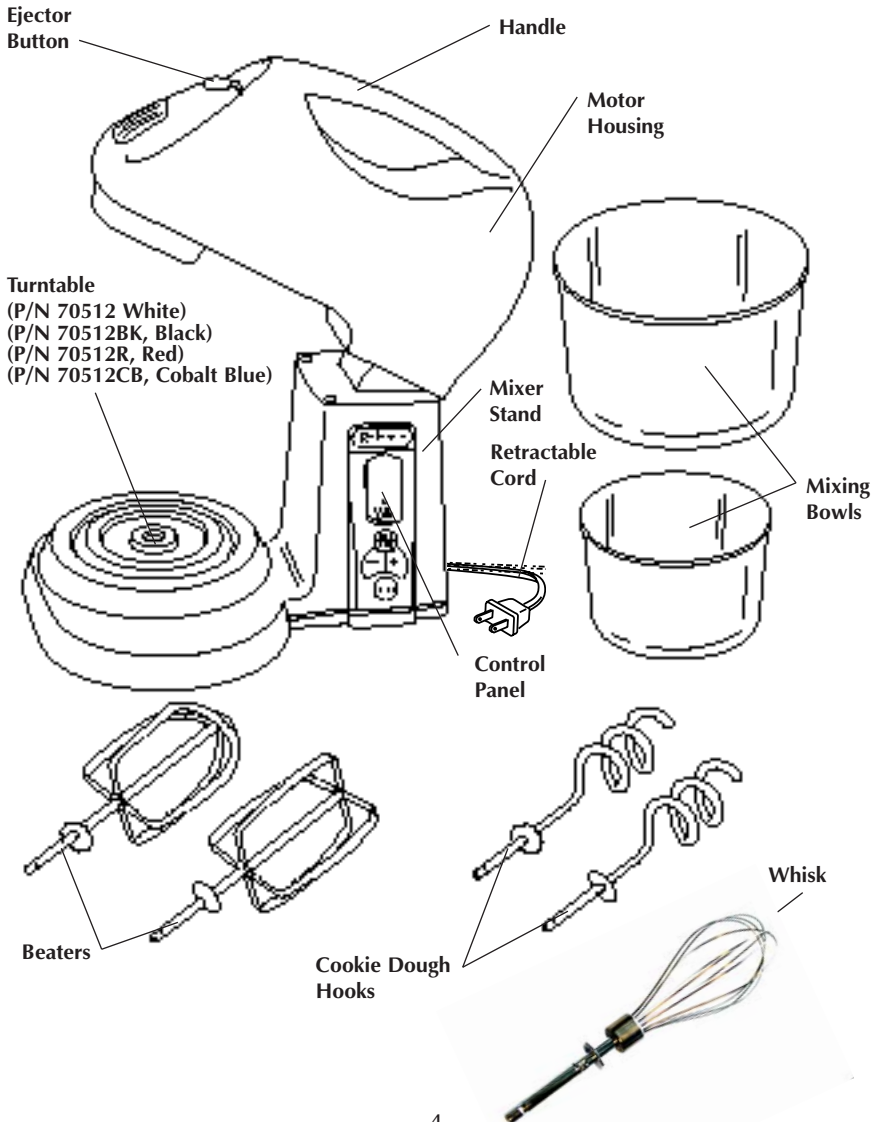
**Failure to do so may cause the finish to darken, permanent blemishes may occur or stains can appear.**

## ELECTRIC POWER

If the electrical circuit is overloaded with other appliances, your appliance may not operate properly. It should be operated on a separate electrical circuit from other appliances.

# GETTING TO KNOW YOUR **FARBERWARE®** FSM126EM (White), FSM126RM (Red), FSM126BKM (Black), FSM126CBM (Cobalt Blue), FSM126BRXM (Bronze) 16-SPEED STAND MIXER

PRODUCT MAY VARY SLIGHTLY FROM ILLUSTRATION



# BEFORE USING YOUR FARBERWARE® 16-SPEED STAND MIXER

1. Carefully unpack Mixer.
2. Wash Beaters, Cookie Dough Hooks, Whisk and Mixing Bowls with warm, soapy water. Rinse well and dry thoroughly.

**CAUTION: To protect against electric shock, never immerse the Motor Housing or Base in water or any other liquid.**

**CAUTION: Use this product with the proper AC voltage rating only. Be sure to unplug the power cord when Stand Mixer is not in use.**

## INSERTING BEATERS, COOKIE DOUGH HOOKS, OR WHISK

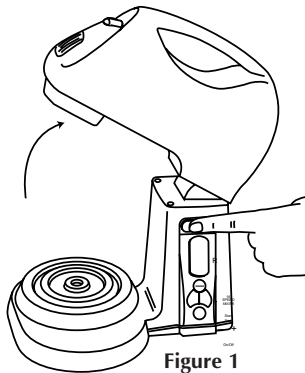
**CAUTION: Use matching attachment pairs only: use both Beaters both Cookie Dough Hooks, or one Whisk. Do not attempt to use one Cookie Dough Hook with one Beater or one Whisk. This could damage the Mixer.**

1. Place Stand Mixer on a dry, level surface. Make sure Mixer is not plugged in.
2. Press Head Release Button while pivoting Mixer Head upwards. See Figure 1.

**CAUTION: DO NOT attempt to pivot Mixer Head without first pressing Head Release Button. This could damage the Mixer.**

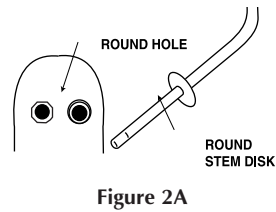
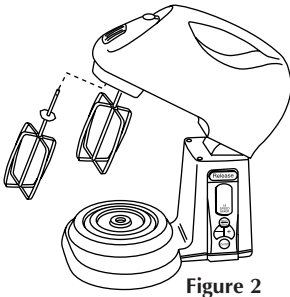
**NOTE: Beaters and Cookie Dough Hooks have two types of stem disks: round and hexagonal.**

**NOTE: There is only one Whisk and its Stem is round.**



# INSERTING BEATERS, HOOKS, WHISK (Continued)

3. Insert Beater or Cookie Dough Hook, one at a time, into holes on underside of Motor Housing. See Figure 2. Insert Beater or Cookie Dough Hook with round stem disk into round hole; hexagonal stem disk into hexagonal hole. See Figure 2A. Push in firmly and twist slightly to lock each Beater or Cookie Dough Hook into place.
4. Insert Whisk Stem (round stem disk) into round hole. Push in firmly and twist slightly to lock Whisk into place.

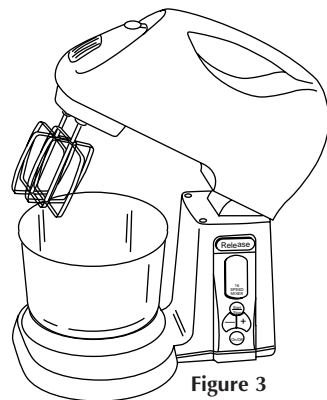


## MIXING

1. Place desired ingredients into large or small Mixing Bowl.

**NOTE: Maximum capacity of the large Mixing Bowl is 4 quarts; the small Mixing Bowl is 1-1/2 quarts. Do not fill Mixing Bowl more than half full with ingredients.**

2. Lift Turntable up and off of the Base. Note Small and Large Mixing Bowl placement as marked on the Base. Replace Turntable at desired location.
3. Place filled Mixing Bowl (large or small) onto Turntable. See Figure 3. Be sure to align rim on underside of Mixing Bowl with corresponding rim on Turntable. When Bowl is placed properly, it will spin freely on Turntable.



# MIXING (Continued)

4. With Beaters, Cookie Dough Hooks, or Whisk properly in place, press Head Release Button while pivoting Mixer Head downward until it rests firmly in place. See Figure 4.
5. Gently pull plug and power cord out from rear of unit. See Figure 5. Pull power cord to desired length only. **DO NOT** allow any extra cord length than necessary. Plug power cord into a standard 120V AC household electrical outlet.

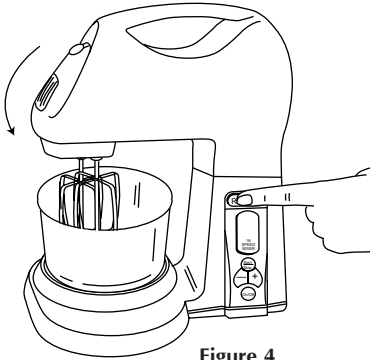


Figure 4

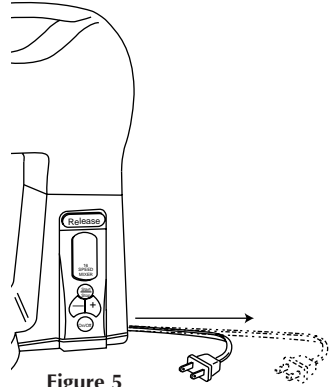
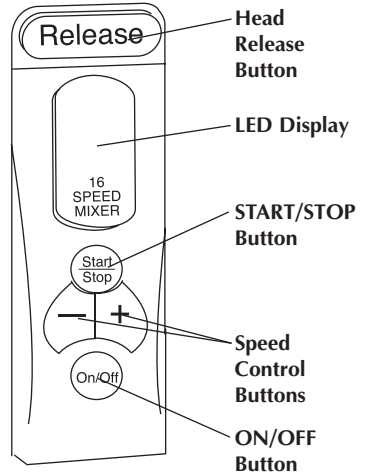


Figure 5

## CONTROL PANEL

6. Press ON/OFF Button once. The number "1" will flash green in the LED Display. This indicates the Mixer is turned ON and in Standby Mode. If the LED does not illuminate, the Mixer is not in Standby Mode. Press Power ON/OFF Button a second time to re-set the Mixer.
7. Press either of the Speed Control Buttons to increase (+) or decrease (-) the mixing speed. See Recommended Speed Guide on page 11 for detailed information. Press Speed Control Button once to change speed by one setting. Hold Speed Control Button down to increase or decrease speed rapidly.





# MIXING (Continued)

**NOTE: Always start mixing with a slow speed setting. Then, increase the speed setting to match consistency of the ingredients.**

8. Press START/STOP Button once to begin mixing. The LED will stop flashing and show the speed setting in a constant green. Upon start-up, the Mixer Motor starts slowly and gently increases its speed to the selected speed setting. This prevents ingredients from splattering.

Additional ingredients can be added slowly to the Mixing Bowl during operation.

**NOTE: Never fill the Mixing Bowl(s) more than half full.**

**CAUTION: Keep hands, hair, clothing, as well as utensils out of Mixing Bowl and away from Attachment during operation to reduce the risk of severe injury to persons or damage to the Stand Mixer.**

9. Press either Speed Setting Button to increase speed setting (+) or decrease speed setting (-) as desired.
10. Press START/STOP Button once. The Speed Setting will flash and the Mixer will change to Standby Mode. The Mixer will stop mixing and stay in Standby Mode (speed setting will flash). Use a rubber or plastic spatula to scrape sides and bottom of Mixing Bowl, as desired. Press START/STOP Button once to continue mixing until ingredients reach the desired consistency.

**CAUTION: DO NOT scrape sides or bottom of Mixing Bowl while Mixer is in operation.**

11. Once all ingredients have reached the desired consistency, press START/STOP Button to stop mixing. The green LED will flash to indicate the Mixer is in Standby Mode.
12. Press ON/OFF Button to turn the Mixer OFF.
13. Remove plug from electrical outlet. Gently tug the cord to fully retract the cord into the Mixer Stand.
14. Press the Head Release Button and carefully raise the Mixer Head. See Figure 6.

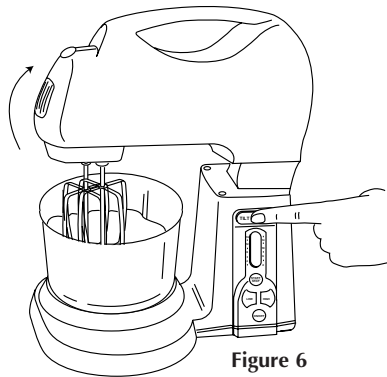


Figure 6

# MIXING (Continued)

15. Press the Ejector Button while grasping the Beaters, Cookie Dough Hooks, or Whisk to release them from the Mixer. See Figure 7.
16. Gently scrape excess batter from Beaters, Cookie Dough Hooks, or Whisk with a rubber or plastic spatula. Do not strike Beaters, Cookie Dough Hooks, or Whisk against Mixing Bowl to remove excess batter. This could damage the Mixer parts.
17. Carefully remove Mixing Bowl from Turntable. Pour batter from Mixing Bowl into another container. Use only a rubber or plastic spatula to remove batter from Mixing Bowl.

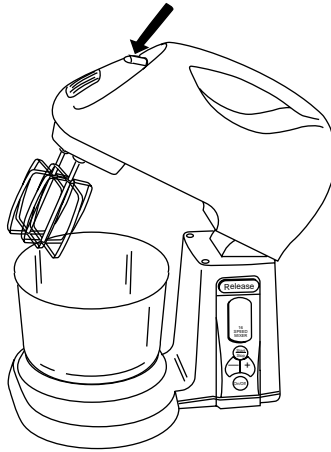


Figure 7

## IMPORTANT HINTS AND INSTRUCTIONS

- During first use of your Mixer, you may notice an odor from the Motor. This is normal and will cease with continued operation.
- Never fill Mixing Bowl more than 1/2 full — the mixing action will cause the ingredients to rise in the Mixing Bowl. Mix large recipes in several batches.
- Do not attempt to knead more than 8 ounces of heavy dough or batter (heavy cookie dough or candy batter) at one time.
- A self-protection circuit automatically switches the Mixer to Standby Mode during overload. Reduce the amount of batter or adjust the speed setting higher, to a more suitable setting. Press the START/STOP Button to begin again.
- Always retract cord into Mixer Stand when operation is completed and when storing Mixer.
- To prevent the possibility of severe personal injury and/or damage to the Mixer, keep hands and utensils out of Mixing Bowl during operation.
- Always be sure ON/OFF Button is OFF and Mixer is unplugged before inserting or removing Beaters, Cookie Dough Hooks, or Whisk.
- Use the Whisk to stir/combine sauces and gravies, etc.
- Use the Whisk to whip potatoes, egg whites, cream; whip some cake mixes, etc.

# RECOMMENDED SPEED GUIDE

## **SPEED SETTING 1 -2**

- Combine dry ingredients
- Fold delicate creams and egg whites into batter
- Add nuts, chips, dried fruit to cookie dough/batter
- Stir sauces and gravies

## **SPEED SETTING 3 - 4**

- Add dry ingredients to batter/cookie dough
- Mash potatoes/vegetables
- Cream cold (not frozen) butter and sugar.

## **SPEED SETTING 5 - 6**

- Cream softened butter and sugar
- Start mixing cake mixes
- Add dry ingredients alternately with liquid ingredients

## **SPEED SETTING 7 - 8**

- Whip potatoes
- Add eggs to batter/cookie dough

## **SPEED SETTING 9 - 10**

- Whip cream
- Complete beating butter cream frostings
- Mix thin batters

## **SPEED SETTING 11 - 12**

- Add sugar to whipped egg whites

## **SPEED SETTING 13 - 14**

- Beat egg yolks

## **SPEED SETTING 15 - 16**

- Whip egg whites

# USER MAINTENANCE INSTRUCTIONS

This appliance requires little maintenance. It contains no user-serviceable parts. Do not try to repair it yourself. Any servicing requiring disassembly other than cleaning must be performed by a qualified appliance repair technician.

## TO CLEAN

**CAUTION: Never immerse Motor Housing or Mixer Stand in water. This could damage the product.**

1. Wash all accessories (Mixing Bowls, Beaters, Cookie Dough Hooks, Whisk) with hot water and a mild detergent. Rinse all parts and dry thoroughly. Accessories are also dishwasher safe. **DO NOT** allow accessories to soak in water for extended periods of time. This could damage the finish.
2. Wipe Motor Housing, Mixer Stand, and Turntable with a damp cloth or sponge. Dry completely with a soft cloth. Lift out Turntable to clean any drippings. Replace Turntable after cleaning.

## TO STORE

Unplug and clean unit. Retract power cord into Mixer Stand by gently pulling cord—the power cord will recoil into the Base. Store in original box or in a clean, dry place. Never store Stand Mixer while it is hot or plugged in.

# RECIPES

## APPLE CAKE

### Cake

3 cups all-purpose flour  
1-1/2 teaspoons cinnamon  
1-1/2 teaspoons baking powder  
1-1/2 teaspoons baking soda  
1/4 teaspoons salt  
3/4 cup butter, softened  
1-3/4 cups sugar  
3 eggs  
3 cups apples, peeled, grated  
1 cup walnuts, chopped  
2 teaspoon vanilla

### Topping

1/3 cup butter, softened  
1/2 cup brown sugar  
1/4 cup quick cooking oats  
1/4 cup all-purpose flour  
1 teaspoon cinnamon

### Glaze

2 tablespoons milk  
1/2 cup powdered sugar

**Yield:** 12 servings

**Temperature:** 325°F/163°C

**Bake Time:** 1 hour and 15 minutes

Sift together flour, cinnamon, baking powder, baking soda, and salt in a bowl to create flour mixture and set aside. Attach Beaters and cream butter and sugar on Speed 3 for 2-3 minutes. Continue beating and add the eggs, one at a time, beating well after each addition. Add the apples, walnuts, and vanilla extract while mixing.

Slowly add flour mixture and beat on Speed 3 for 2-3 minutes. Pour into 10-inch greased tube pan. Tap pan on countertop several times to eliminate air bubbles.

For topping, combine all topping ingredients and mix on Speed 3 until crumbly. Sprinkle topping over top of batter. Bake as directed and allow to cool.

Mix glaze ingredients together and drizzle over cake.

## **POUND CAKE**

**All ingredients should be at room temp. before mixing.**

3 cups all-purpose flour  
1 teaspoon baking powder  
1 cup butter  
1/4 cup shortening  
3 cups sugar  
5 eggs  
1 cup milk  
2 Tablespoon vanilla extract  
1 teaspoon lemon extract  
1 teaspoon orange extract

### **Glaze**

1/4 cup butter  
1/4 cup milk  
1 cup powdered sugar

Yield: 12 servings

**Do not preheat oven**

Temperature: 350°F/177°C

Bake Time: 1-1/2 hours

Combine flour and baking powder in a separate bowl to create flour mixture and set aside.

Attach Beaters and begin to cream together butter, shortening, and sugar on Speed 3 for 3 minutes. Continue beating and add the eggs one at a time alternating them with the flour mixture, beating on Speed 7 after each addition. Add remaining ingredients and beat together on Speed 5 for 2-3 minutes. Pour batter into greased and floured 10-inch tube pan. Tap pan on countertop several times to eliminate air bubbles. Bake as directed and allow to cool.

For glaze, melt butter over low heat. Add milk and stir in powdered sugar. Continue heating until slightly thickened. Drizzle over cake.

## **PINEAPPLE UPSIDE DOWN CAKE**

### **Topping**

- 1/2 cup butter, melted
- 1 cup brown sugar
- 1/2 cup pecans, chopped
- 8 pineapple slices
- 1/2 cup maraschino cherries, halved

### **Cake**

- 3 eggs
- 1/3 cup applesauce
- 2 teaspoons pineapple flavoring
- 1 cup, plus 2 tablespoons water
- 18.25 oz. pineapple or yellow cake mix

Yield: 12 servings

Temperature: 350°F/177°C

Bake Time: 50-60 minutes

Layer topping ingredients in a 10-inch greased and floured tube pan in the order listed. Arrange maraschino cherry halves, cut side up, in the center of and between pineapple slices.

For cake, attach Beaters and mix all cake ingredients together on Speed 5 for 3-4 minutes. Pour the batter into pan over toppings. Bake as directed. Allow to cool 5 minutes, then invert onto a heat-resistant plate with a rim.



# RASPBERRY ANGEL FOOD CAKE WITH RASPBERRY SAUCE

## Cake

1 cup cake flour  
2 tablespoons cornstarch  
1-1/4 cups powdered sugar  
1/2 teaspoon salt  
1 pkg. raspberry unsweetened Kool-Aid® (or any other flavor)  
1-1/2 cups egg whites (about 12), room temp.  
1-1/2 teaspoons cream of tartar  
1 teaspoon vanilla extract  
1/2 cup sugar

## Raspberry Sauce

1-1/2 cups raspberry preserves, seedless  
2 teaspoons cornstarch

Yield: 12 servings

Temperature: 350°F/177°C

Bake Time: 40-50 minutes

Sift together the cake flour, cornstarch, powdered sugar, salt and Kool-Aid® in a bowl and set aside.

Attach Beaters and beat the egg whites and cream of tartar on Speed 15 until stiff peaks form. Add the vanilla and sugar, one tablespoon at a time while beating on Speed 11-12.

Fold the flour mixture, 1/4 cup at a time, into the egg white mixture. Pour into a 10-inch greased and floured tube pan. Remove large air bubbles by gently cutting through mixture with a knife and bake as directed.

Prepare the raspberry sauce while the cake is baking. Cook raspberry preserves and cornstarch over low heat until thickened. Spoon sauce over cake, either while warm or after it has cooled.

# THREE LAYER FRENCH VANILLA COFFEE CAKE

## Cake

2-1/2 cups all-purpose flour  
1/2 teaspoon salt  
1 teaspoon baking soda  
2 teaspoons instant coffee granules  
1 cup buttermilk or sour milk  
(sour milk is made by adding 1 teaspoon vinegar to 1 cup milk)  
1 cup butter, softened  
1-1/3 cups sugar  
1/2 cup French-Vanilla Cafe (Parisian style flavored instant coffee)  
2 teaspoons vanilla extract 3 eggs

## Frosting

1/2 cup butter  
1 cup brown sugar  
1/2 cup milk  
2 teaspoons instant coffee granules  
1 teaspoon vanilla extract  
1 lb. powdered sugar

## Topping

pecans

Yield: 12 servings

Temperature 350°F/177°C

Bake Time: 30-40 minutes

Sift together the flour, salt, baking soda and coffee granules in a bowl to create a flour mixture and set aside.

Attach the Beaters and cream the butter, sugar, and French Vanilla Cafe together on Speed 5 for 2-3 minutes. Continue beating and add the vanilla and eggs one at a time, beating well after each addition. Add the flour mixture alternating with the buttermilk while beating on Speed 5 for 2-3 minutes. Beat for an additional 2-3 minutes on Speed 5. Pour into three 8-inch greased and floured pans. Bake as directed.

For frosting, melt butter in a saucepan over low heat. Stir in the brown sugar, milk, and instant coffee granules. Bring to a boil and simmer for 5 minutes, while constantly stirring. Remove from the heat and add the vanilla extract. Pour the mixture into the Mixing Bowl. Gradually add the powdered sugar and beat on Speed 2 for 2-3 minutes until the frosting reaches a spreading consistency. Spread warm frosting over layered cakes. (Cooled frosting is stiff and hard to spread.) Top with pecans.

## LEMON TORTE

For a wonderful, reduced-fat dessert, add the Yogurt Cheese Frosting to the Lemon Torte. Prepare the yogurt cheese ahead of time.

### Cake

18.25 oz. lemon cake mix  
1/4 cup butter, softened  
1/4 cup applesauce  
1 cup water  
2 teaspoons lemon zest, grated  
1 teaspoon lemon extract  
4 whole eggs, plus 4 egg whites OR 6 eggs

### Yogurt Cheese Frosting

64 oz. (2 quarts) low-fat vanilla yogurt  
1 pkg unflavored gelatin  
1/4 cup water  
1 cup powdered sugar  
3.5 oz. pkg. instant lemon pudding & pie filling  
1 pkg. whipped topping mix  
2 teaspoons lemon extract  
2 teaspoons lemon zest, grated

### Cream Cheese Frosting (alternative)

24 oz. cream cheese, softened  
1 cup powdered sugar  
1 cup lemon pie filling  
1 teaspoon lemon zest, grated

### Decoration

1-1/2 cups almonds, sliced  
1 cup raspberry preserves, seedless OR raspberry spreadable fruit

Yield: 12 servings

Temperature: 350°F/177°C

Bake Time: 30-35 minutes

**To make yogurt cheese for the Yogurt Cheese Frosting**, drain yogurt for at least 4 hours or overnight. Insert two coffee filters or a cheesecloth in a strainer. Place strainer in a pitcher or bowl and pour yogurt in the strainer. Refrigerate until completely strained (1/2 of the liquid will drain off). Discard the liquid, reserve strained yogurt (yogurt cheese) and refrigerate until ready to use.

For cake, attach Beaters and mix together cake ingredients (except eggs and egg whites) on Speed 5 for 2 minutes. Add the eggs and egg whites, one at a time, mixing thoroughly after each addition on Speed 7. Pour into two 9-inch greased and floured cake pans. Bake as directed and allow to cool.

To make the yogurt cheese frosting, place the gelatin and water in a small saucepan and set aside to soften for a few minutes. Attach Beaters and mix the yogurt cheese and remaining ingredients on Speed 2 for 2-3 minutes and set aside. Dissolve the gelatin by heating over low heat for 1-2 minutes. Mix the gelatin into the frosting on Speed 2 for 30 seconds. Refrigerate until needed.

To save time, cream cheese frosting (alternative) may be used instead of the yogurt cheese frosting. For the cream cheese frosting, attach Beaters and beat together the cream cheese and powdered sugar on Speed 5 for 2-3 minutes. Add the pie filling and lemon peel while beating. Refrigerate until needed.

Cut each cake in half horizontally using a serrated knife. Place one cake layer, cut side up, on a plate. Spread this layer with 1/4 cup preserves and 3/4 cup frosting. Top this with the second cake layer, cut side up. Repeat for remaining cake layers. Spread the top and sides with the remaining preserves and frosting. Decorate with almonds and chill until the frosting is set, about two hours. Store in refrigerator.

## **MINI CHEESECAKES**

### **Crust**

30 vanilla wafers

### **Filling**

32 oz. cream cheese, softened

1 cup plus 2 tablespoons sugar

3 tablespoons cornstarch

4 large eggs, room temp.

1-1/4 teaspoon lemon extract

2-1/4 teaspoon orange extract

3/4 teaspoon vanilla extract

1/4 cup whipping cream

### **Glaze**

1 cup orange marmalade

2 teaspoons cornstarch

### **Topping**

raspberries or maraschino cherry halves

walnuts

Yield: 30 cheesecakes

Temperature: 250°F/121°C

Bake Time: 40-50 minutes

Attach Beaters and mix together the cream cheese, sugar and cornstarch on Speed 3 for 2-3 minutes. Add the eggs, one at a time, beating after each addition on Speed 7. Add remaining ingredients and beat together for 1 minute on Speed 5. Line muffin pans with 2-1/2 inch muffin baking cups. Place one vanilla wafer, flat side down, in each muffin baking cup and pour 1/4 cup of filling over each. Bake as directed. Chill overnight.

Combine glaze ingredients in a saucepan and cook over low heat until slightly thickened. Place 1 teaspoon of glaze on top of each cheesecake. Top with raspberries and nuts. Store in refrigerator.

# CARAMEL CHOCOLATE CHUNK CHEESECAKE

## **Crust**

1/4 cup butter, melted  
3/4 cup quick rolled oats  
3/4 cup walnuts, chopped  
3/4 cup brown sugar  
1/2 teaspoon cinnamon

Attach Beaters and mix together crust ingredients on Speed 5 for 23 minutes. Press into a 9-inch greased cheesecake pan. Bake crust as directed. While crust is baking, prepare filling.

Yield: 12 servings

Temperature: 350°F/177°C

Bake Time: 18-20 minutes

## **Filling**

24 oz. cream cheese, softened  
1/3 cup brown sugar  
2 tablespoons cornstarch  
1/3 cup dark corn syrup  
1-1/2 teaspoons vanilla extract  
3 large eggs, room temp.  
1 egg yolk, room temperature

## **Topping**

1 cup milk chocolate chips

Temperature and Bake Time:

350°F/177°C for 15 minutes then reduce to 200°F/93°C and bake for an additional 1 hour.

Attach the Beaters and mix together cream cheese, brown sugar, cornstarch, corn syrup and vanilla extract on Speed 5 for 2-3 minutes. Add the eggs and yolk one at a time, beating after each addition on Speed 7.

Pour into the baked crust. Bake as directed.

Remove the cheesecake from the oven and sprinkle the chocolate chips over the top. Return to the oven and bake for 5 minutes. Chill overnight. Store in refrigerator.

# CHOCOLATE CARAMEL PECAN CHEESECAKE

## **Crust**

1/3 cup butter, melted  
17 chocolate sandwich cream filled cookies, crushed  
2 tablespoons pecans, chopped

## **Filling**

24 oz. cream cheese, softened  
1/3 cup brown sugar  
2 tablespoons cornstarch  
1/4 cup dark corn syrup  
3 large eggs, room temperature (yolks and whites)  
1 egg yolk, room temperature  
1/3 cup sour cream, room temperature  
1-1/4 teaspoons vanilla extract  
1-1/4 teaspoons butter flavoring  
11.5 oz. milk chocolate chips  
1/3 cup pecans, chopped

## **Topping**

3 tablespoons sour cream, room temperature  
4 oz. milk chocolate chunks, melted  
2 tablespoons pecans, chopped

## **Decoration**

pecans, whole  
10 individually wrapped caramel candies, melted  
3 tablespoons sour cream, room temp.

Yield: 12 servings

Temperature and Bake Time: 350°F/177°C for 15 minutes, then reduce to 200°F/93°C and bake for an additional 2 hours

Mix crust ingredients together and press into a 9-inch greased cheesecake pan. Attach the Beaters and mix together cream cheese, brown sugar, cornstarch and corn syrup on Speed 5 for 2-3 minutes. Continue beating and add the eggs and yolk, one at a time, beating after each addition on Speed 7. Add the sour cream, vanilla extract and butter flavoring and mix on Speed 2 for 1 minute. Add the remaining ingredients and stir on Speed 1 for 1-2 minutes. Pour into the crust. Bake as directed. Chill overnight.

For topping, stir ingredients together and spread on top of cake while the topping is still warm. Decorate with pecans. Stir the melted caramels and the sour cream together; drizzle over the cheesecake. Store in refrigerator.

## **PIE CRUST**

1-1/4 cups all-purpose flour

1/2 teaspoon salt

1/3 cup plus 2 tablespoons shortening

1/4 cup cold water

Yield: 9-10 inch pie crust

Temperature: 400°F/205°C

Time: 17-20 minutes

Attach Cookie Dough Hooks and place flour, salt, and shortening in Mixing Bowl. Mix on Speed 2 for 2-3 minutes. Add water and continue to mix for 2-3 minutes on Speed 3 or until dough clings to Cookie Dough Hook. If dough is too crumbly or dry, add water, 1 teaspoon at a time. If dough is too wet or sticky, add 1 tablespoon of flour at a time. Roll crust to fit 9 or 10-inch pie pan. Flute edges of crust by pressing crust to pan. Prick bottom with a fork several times. Bake as directed and allow to cool



# CHOCOLATE ALMOND MACAROON PIE

## Crust

17 coconut macaroon cookies, crushed  
1/3 cup butter, melted

## Filling

2 cups whipping cream  
2 pkg. whipped topping mix  
1/2 cup powdered sugar  
3 tablespoons chocolate liqueur

## Chocolate

1-1/4 cups milk chocolate chips

## Topping

1/2 cup almonds, sliced

Yield: 8 servings

Mix crust ingredients together and press into the bottom and sides of a 10-inch greased pie pan. Attach Beaters and mix together the filling ingredients on Speed 9 for 1 minute, then whip on Speed 11 for 3-4 minutes until stiff.

Melt the chocolate chips on very low heat stirring constantly. Cool slightly at room temperature for 5 minutes. Slowly pour into filling while stirring on Speed 1. Continue to stir on Speed 1 for 2 minutes. Pour the filling into the pie crust and sprinkle the nuts over the top, chill.

## GERMAN CHOCOLATE FUDGE PIE

### **Crust**

17 chocolate sandwich creme filled cookies, crushed  
1/3 cup butter, melted

### **Filling**

8 oz. cream cheese, softened  
1 small box instant chocolate pudding & pie filling  
1-1/2 cups milk  
4 oz. German's® sweet chocolate bar  
11.5 oz. milk chocolate chips  
1 cup sour cream  
1/2 cup pecans, chopped

### **Topping**

1/4 cup pecans, chopped

Yield: 8-10 servings

Mix crust ingredients together and press into the bottom and sides of a 10-inch greased pie pan. Attach Beaters, blend together cream cheese, instant pudding and milk on Speed 5 for 3-4 minutes. Melt the German chocolate, chocolate chips, and sour cream together in a small saucepan over low heat, stirring frequently. Add to pudding mixture and blend together on Speed 5 for 3-4 minutes. Spread the mixture over the cookie crust and top with pecans, chill.

## **BUTTER COOKIES**

### **Dough**

6 cups all-purpose flour  
1 tablespoons baking powder  
1 teaspoon salt  
2 cups butter, softened  
2 cups brown sugar  
2 eggs  
1/4 cup plus 2 tablespoons milk  
2 teaspoons vanilla extract

### **Topping**

1/4 cup sugar  
1-1/2 teaspoons cinnamon

Yield: 4 dozen cookies or 3 cookie bars

Temperature: 350°F/177°C

Bake Time: 12-15 minutes

Combine flour, baking powder and salt in a bowl and set aside. Attach the Beaters and cream the butter on Speed 5 for 2 minutes.

Add brown sugar; mix on Speed 5 for 2 minutes. Add eggs, milk and vanilla and continue to mix on Speed 5 for 2 minutes. Eject Beaters and attach Cookie Dough Hooks. Add half of the flour mixture and beat on Speed 3, gradually adding remaining flour mixture, allow to mix on Speed 3 for 2 minutes. Drop one teaspoon at a time onto a lightly greased cookie sheet. Flatten and sprinkle with topping. Bake as directed.

## CHOCOLATE CHIP DELIGHT

1-1/2 cups all-purpose flour  
3/4 teaspoon salt  
3/4 teaspoon baking soda  
3/4 teaspoon baking powder  
1-1/2 cups shortening  
3/4 cup brown sugar  
3/4 cup white sugar  
2 eggs  
1-1/2 teaspoons vanilla extract  
3/4 cup coconut  
2-1/4 cups quick or old fashioned oats  
12 oz. semi-sweet or milk chocolate chips

Yield: 4 dozen cookies or 2 cookie bars

Temperature: 350°F/177°C

Bake Time: 12-15 minutes

Combine flour, salt, baking soda, and baking powder in a small bowl to create a flour mixture and set aside. Attach the Beaters, place shortening in the Mixing Bowl and beat on Speed 5 for 2 minutes. Add both sugars and cream on Speed 5 for 2 minutes. Add eggs and vanilla extract and continue to mix on Speed 7 for 1 minute.

Remove Beaters and attach Cookie Dough Hooks. Add the flour mixture and beat on Speed 5 until combined. Add coconut and half of the oatmeal, mix on Speed 5 for 2 minutes. Add remaining oatmeal and mix on Speed 5 until mixed.

Drop by teaspoon onto lightly greased cookie sheet and bake as directed.

## CHOCOLATE FUDGE

8 oz. cream cheese, softened

4 cups powdered sugar

2 teaspoons vanilla extract

12 oz. chocolate chips\*

1 cup pecans or walnuts, chopped

\* Semi-sweet chocolate, white chocolate, or milk chocolate (11.5 to 12 oz. bag)

Yield: 25 pieces

Attach Beaters and beat cream cheese, powdered sugar, and vanilla on Speed 5 for 2 to 3 minutes. Set aside. Melt chocolate chips in a saucepan on very low heat. Wait 2 to 3 minutes for chocolate to cool slightly. Add the chocolate to the cream cheese mixture and stir on Speed 1 for 2 minutes. Increase Mixer's speed to Speed 3 for 2 minutes. Reduce to Speed 1, stir in the nuts and mix for 1 minute. Spread the fudge in a 8 x 8-inch greased pan. Once fudge has firmed, cut into 1 inch pieces. Store in refrigerator.

## CHOCOLATE SUGAR COOKIES

5-1/2 cups all-purpose flour  
2 teaspoons baking powder  
2/3 cup cocoa  
2 cups butter, softened  
1-1/2 cups sugar  
4 eggs  
1 tablespoons vanilla extract sugar

Yield: 4 dozen cookies or 2 cookie bars

Temperature: 350°F/177°C

Bake Time: 12-15 minutes

Combine flour, baking powder and cocoa in a bowl and set aside. Attach the Beaters and cream butter on Speed 5 for 2 minutes. Add sugar and beat on Speed 5 for 2 minutes. Add eggs and vanilla and continue to mix on Speed 5 for 2 minutes. Eject Beaters and attach Cookie Dough Hooks. Add half of the flour mixture and beat on Speed 3, gradually adding remaining flour mixture. Mix on Speed 3 for 2 minutes. Shape into 1-1/2inch balls and roll in sugar. Place onto a lightly greased cookie sheet and bake as directed.

## OATMEAL RAISIN COOKIES

2 cups all-purpose flour  
3/4 teaspoon salt  
1-1/2 teaspoons baking soda  
1/2 cups butter, softened  
1-1/2 cups brown sugar  
3/4 cup sugar  
2 eggs  
4 cups quick or old fashioned oats  
1-1/2 cups raisins

Yield: 4 dozen cookies or 3 cookie bars

Temperature: 350°F/177°C

Bake Time: 12-15 minutes

Combine flour, salt, and baking soda in a bowl and set aside. Attach the Beaters and cream the butter on Speed 5 for 2 minutes.

Add both sugar and beat on Speed 5 for 2 minutes. Add eggs and continue to beat on Speed 7 for 2 minutes. Eject Beaters and attach Cookie Dough Hooks. Add half of flour mixture and mix on Speed 3 for 2 to 3 minutes. Add remaining flour mixture and mix on Speed 3 for 2 minutes. Add 1-1/2 cups oatmeal and mix on Speed 5, gradually adding remaining oatmeal until well mixed. Allow to mix for 2 minutes. Reduce to Speed 1, add raisins, and stir until mixed.

Drop by teaspoon onto greased cookie sheet and bake as directed.

# FARBERWARE®

## ONE-YEAR LIMITED WARRANTY

**Warranty:** This Farberware® product is warranted by Salton, Inc. to be free from defects in materials or workmanship for a period of (1) year from the original purchase date. This product warranty covers only the original consumer purchaser of the product.

**Warranty Coverage:** This warranty is void if the product has been damaged by accident in shipment, unreasonable use, misuse, neglect, improper service, commercial use, repairs by unauthorized personnel, normal wear and tear, improper assembly, installation or maintenance abuse or other causes not arising out of defects in materials or workmanship. This warranty is effective only if the product is purchased and operated in the USA, and does not extend to any units which have been used in violation of written instructions furnished with the product or to units which have been altered or modified or to damage to products or parts thereof which have had the serial number removed, altered, defaced or rendered illegible.

**Implied Warranties:** ANY IMPLIED WARRANTIES WHICH THE PURCHASER MAY HAVE ARE LIMITED IN DURATION TO ONE (1) YEAR FROM THE DATE OF PURCHASE. Some states do not allow limitations on how long an implied warranty lasts, so the above limitation may not apply to you.

**Warranty Performance:** During the above one-year warranty period, a product with a defect will be either repaired or replaced with a reconditioned comparable model (at our option) when the product is returned to the Repair Center, or the purchase price refunded. The repaired or replacement product will be in warranty for the balance of the one-year warranty period and an additional one-month period. No charge will be made for such repair or replacement.

**SERVICE AND REPAIR:** SHOULD THE APPLIANCE MALFUNCTION, YOU SHOULD FIRST CALL TOLL-FREE 1 (888) 881-8101 BETWEEN THE HOURS OF 9:00 AM AND 5:00 PM CENTRAL STANDARD TIME AND ASK FOR CONSUMER SERVICE STATING THAT YOU ARE A CONSUMER WITH A PROBLEM. PLEASE REFER TO MODEL NUMBER: FSM126EM (White), FSM126RM (Red), FSM126BKM (Black), FSM126CBM (Cobalt Blue) or FSM126BRXM (Bronze) WHEN YOU CALL.

**In-Warranty Service (USA):** For an appliance covered under the warranty period, no charge is made for service or postage. Call for return authorization 1 (888) 881-8101.

**Out-of-Warranty Service:** A flat rate charge by model is made for out-of-warranty service. Include \$10.00 (U.S.) for return shipping and handling. We will notify you by mail of the amount of the charge for service and require you to pay in advance for the repair or replacement.

**For Products Purchased in the USA, but Used in Canada:** You may return the product insured, packaged with sufficient protection, and postage and insurance prepaid to the USA address listed below. Please note that all customs duty / brokerage fees, if any, must be paid by you and we will require you to pay the cost of customs duty / brokerage fees to us in advance of our performing any service.

**Risk During Shipment:** We cannot assume responsibility for loss or damage during incoming shipment. For your protection, carefully package the product for shipment and insure it with the carrier. Be sure to enclose the following items with your appliance: any accessories related to your problem, your full return address and daytime phone number, a note describing the problem you experienced, a copy of your sales receipt or other proof of purchase to determine warranty status. C.O.D. shipments cannot be accepted.

**To return the appliance, ship to:**

ATTN: Repair Center  
Salton, Inc.  
708 South Missouri Street  
Macon, MO 63552

**To contact us, please write to, call, or email:**

Salton, Inc.  
P.O. Box 7366  
Columbia, MO 65205-7366  
1-888-881-8101  
E-mail: Farberware-electric@Saltonusa.com

**Limitation of Remedies:** No representative or person is authorized to assume for Salton, Inc. any other liability in connection with the sale of our products. There shall be no claims for defects or failure of performance or product failure under any theory of tort, contract or commercial law including, but not limited to negligence, gross negligence, strict liability, breach of warranty and breach of contract. Repair, replacement or refund shall be the sole remedy of the purchaser under this warranty, and **in no event shall Salton be liable for any incidental or consequential damages, losses or expenses.** Some states do not allow the exclusion or limitation of incidental or consequential damages, so the above limitation or exclusion may not apply to you.

**Legal Rights:** This warranty gives you specific legal rights, and you may also have other rights which vary from state to state.

For more information on Salton products, visit our website: [www.eSalton.com](http://www.eSalton.com)

©2004 Salton, Inc. All rights reserved.

FARBERWARE® is a registered trademark of Farberware Inc.®

Manufactured and sold pursuant to a license from Farberware Inc.®