

This Owner's Manual is provided and hosted by [Appliance Factory Parts](#).



Farberware FMO22ABTBKA Owner's Manual

[Shop genuine replacement parts for Farberware
FMO22ABTBKA](#)



[Find Your Farberware Microwave Parts - Select From 18 Models](#)

----- Manual continues below -----

MICROWAVE OVEN INSTRUCTION MANUAL

Model: FMO22ABTBKA



Read these instructions carefully before using your microwave oven, and maintain its upkeep. If you follow the instructions, your oven will provide you with many years of good service.

KEEP THESE INSTRUCTIONS IN A SAFE PLACE

FARBERWARE®

Farberware is a registered trademark of Farberware Licensing Company, LLC
Manufactured and sold pursuant to a license from Farberware Licensing Company, LLC
© 2018 Farberware Licensing Company, LLC. All rights reserved.

Tables of Contents

PRECAUTIONS.....	4
SPECIFICATIONS.....	4
SAFETY.....	5
GROUNDING.....	6
UTENSILS	8
SETTING UP YOUR OVEN	10
CONTROL PANEL.....	12
OPERATION.....	13
MAINTENANCE.....	20
WARRANTY INFORMATION	21

PRECAUTIONS TO AVOID POSSIBLE EXPOSURE TO EXCESSIVE MICROWAVE ENERGY

- (a) Do not attempt to operate this oven with the door open since open door operation can result in harmful exposure to microwave energy.
It is important not to tamper with the safety interlocks.
- (b) Do not place any object between the oven front face and the door or allow food or cleaner residue to accumulate on the sealing surfaces.
- (c) Do not operate the oven if it is damaged. It is particularly important that the oven door close properly and that there is no damage to the:
 - (1) DOOR (bent)
 - (2) HINGES AND LATCHES (broken or loosened)
 - (3) DOOR SEALS AND SEALING SURFACES (Do not use if the door seal or sealing surfaces are damaged.)
- (d) The oven should not be adjusted or repaired by anyone except properly qualified service personnel.

SPECIFICATIONS

Model:	FMO22ABTBKA
Rated Voltage:	120V~60Hz
Rated Input Power (Microwave):	1700W
Rated Output Power (Microwave):	1200W
Oven Capacity:	2.2 cubic feet
Turntable Diameter:	Ø16.5 inches
External Dimensions:	24.4 x 19.6 x 13.6 inches
Net Weight:	43.4 lbs



WARNING:

This product can expose you to chemicals including Phthalates or other chemicals which are known to the State of California to cause cancer, birth defects and other reproductive harm.

For more information, visit www.P65Warnings.ca.gov

IMPORTANT SAFETY INSTRUCTIONS

When using electrical appliances basic safety precautions should be followed, including the following:

WARNING - To reduce the risk of burns, electric shock, fire, injury to persons or exposure to excessive microwave energy:

1. Read all instructions before using the appliance.
2. Read and follow the specific: "**PRECAUTIONS TO AVOID POSSIBLE EXPOSURE TO EXCESSIVE MICROWAVE ENERGY**" found on page 4.
3. This appliance must be grounded. Connect only to properly grounded outlet. See "**GROUNDING INSTRUCTIONS**" found on page 6.
4. Install or locate this appliance only in accordance with the provided installation instructions.
5. Some products such as whole eggs and sealed containers - for example, closed glass jars - are able to explode and should not be heated in this oven.
6. Use this appliance only for its intended use as described in the manual. Do not use corrosive chemicals or vapors in this appliance. This type of oven is specifically designed to heat, cook or dry food. It is not designed for industrial or laboratory use.
7. As with any appliance, close supervision is necessary when used by children.
8. Do not operate this appliance if it has a damaged cord or plug, if it is not working properly, or if it has been damaged or dropped.
9. This appliance should be serviced only by qualified service personnel. Contact nearest authorized service facility for examination, repair, or adjustment.
10. Do not cover or block any openings on the appliance.
11. Do not store this appliance outdoors. Do not use this product near water - for example, near a kitchen sink, in a wet basement, near a swimming pool, or similar location.
12. Do not immerse cord or plug in water.
13. Keep cord away from heated surface.
14. Do not let cord hang over edge of table or counter.
15. When cleaning surfaces of door and oven that comes together on closing the door, use only mild, nonabrasive soaps, or detergent applied with a sponge or soft cloth.
16. To reduce the risk of fire in the oven cavity:
 - a. Do not overcook food. Carefully attend appliance when paper, plastic, or other combustible materials are placed inside the oven to facilitate cooking.
 - b. Remove wire twist-ties from paper or plastic bag before placing bag in oven.
 - c. If material inside of the oven ignites, keep oven door closed, turn oven off, and disconnect the power cord, or shut off power at the fuse or circuit breaker panel.
 - d. Do not use the cavity for storage purposes. Do not leave paper products, cooking utensils, or food in the cavity when not in use.
17. Liquids, such as water, coffee, or tea are able to be overheated beyond the boiling point without appearing to be boiling. Visible bubbling or boiling when the container is removed from the microwave oven is not always present.

THIS COULD RESULT IN VERY HOT LIQUID SUDDENLY BOILING OVER WHEN THE CONTAINER IS DISTURBED OR A UTENSIL IS INSERTED INTO THE LIQUID.

To reduce the risk of injury to persons:

1. Do not overheat the liquid.
2. Stir the liquid both before and halfway through heating it.
3. Do not use straight-sided containers with narrow necks.
4. After heating, allow the container to stand in the microwave oven for a short time before removing the container.
5. Use extreme care when inserting a spoon or other utensil into the container.

SAVE THESE INSTRUCTIONS

GROUNDING INSTRUCTIONS

This appliance must be grounded. In the event of an electrical short circuit, grounding reduces the risk of electric shock by providing an escape wire for the electric current. This appliance is equipped with a cord having a grounding wire with a grounding plug. The plug must be plugged into an outlet that is properly installed and grounded.

WARNING – Improper use of the grounding can result in a risk of electric shock. **Consult a qualified electrician or serviceman if the grounding instructions are not completely understood, or if doubt exists as to whether the appliance is properly grounded.** If it is necessary to use an extension cord, use only a 3-wire extension cord that has a 3-blade grounded plug, and 3-slot receptacle that will accept the plug on the appliance. The marked rating of the extension cord shall be equal to or greater than the electrical rating of the appliance.

DANGER – Electric Shock Hazard

Touching some of the internal components can cause serious personal injury or death. Do not disassemble this appliance.

WARNING – Electric Shock Hazard

Improper use of the grounding can result in electric shock. Do not plug into an outlet until appliance is properly installed and grounded.

1. A short power-supply cord is provided to reduce the risks resulting from becoming entangled in or tripping over a longer cord.
2. Longer cord sets or extension cords are available and may be used if care is exercised in their use.
3. If a long cord or extension cord is used:
 - a. The marked electrical rating of the cord set or extension cord should be at least as great as the electrical rating of the appliance.
 - b. The extension cord must be a grounding-type 3-wire cord.
 - c. The longer cord should be arranged so that it will not drape over the counter top or tabletop where it can be pulled on by children or tripped over unintentionally.

RADIO INTERFERENCE

1. Operation of the microwave oven may cause interference to your radio, TV or similar equipment.
2. When there is interference, it may be reduced or eliminated by taking the following measures:
3. Clean door and sealing surface of the oven.
 - a. Reorient the receiving antenna of radio or television.
 - b. Relocate the microwave oven with respect to the receiver.
 - c. Move the microwave oven away from the receiver.
 - d. Plug the microwave oven into a different outlet so that microwave oven and receiver are on different branch circuits.

SAFETY

1. The oven must be on a leveled surface.
2. The turntable and turntable roller rest must be in the oven during cooking. Place the cookware gently on the turntable and handle it carefully to avoid possible breakage.
3. Incorrect use of browning dish may cause the turntable to break.
4. Use only the specified bag size when using Direct Access Popcorn.
5. The oven has several built-in safety switches to ensure that the power remains off when the door is open. Do not tamper with these switches.
6. Do not operate the microwave oven empty. Operating the oven with no food or food that is extremely low in moisture can cause fire, charring or sparking.
7. Do not cook bacon directly on the turntable. Excessive local heating of the turntable may cause the turntable to break.
8. Do not heat baby bottles or baby food in the microwave oven. Uneven heating may occur and could cause physical injury.
9. Do not heat narrow-necked containers, such as syrup bottles.
10. Do not attempt to deep-fry in your microwave oven.
11. Do not attempt home canning in this microwave oven, as it is impossible to be sure all contents of the jar have reached boiling temperature.
12. Do not use this microwave oven for commercial purpose. This microwave oven is made for household use only.
13. To prevent delayed eruptive boiling of hot liquids and beverages or scalding yourself, stir liquid before placing the container in the oven and again halfway through cooking time. Let stand in the oven for a short time and stir again before removing the container.
14. Use care when cooking food in the microwave oven to avoid burning due to excessive cooking.
15. When the appliance is operated in the combination mode, children should only use the oven under adult supervision due to the temperatures generated.
16. Failure to maintain the oven in a clean condition could lead to deterioration that could adversely affect the life of the appliance and possibly result in a hazardous situation.

UTENSILS

 **CAUTION** – Personal Injury Hazard

Tightly-closed utensils could explode. Closed containers should be opened and plastic pouches should be pierced before cooking.

See the instructions on "Materials you can use in microwave oven or to be avoided in microwave oven."

There may be certain non-metallic utensils that are not safe to use for microwaving. If in doubt, you can test the utensil in question following the procedure below.

Utensil Test:

1. Fill a microwave-safe container with 1 cup of cold water (250ml) along with the utensil in question.
2. Cook on maximum power for 1 minute.
3. Carefully feel the utensil. If the empty utensil is warm, do not use it for microwave cooking.
4. Do not exceed 1 minute cooking time.

MATERIALS TO AVOID IN MICROWAVE OVEN

Utensils	Remarks
Aluminum tray	May cause arcing. Transfer food into microwave-safe dish.
Food carton with metal handle	May cause arcing. Transfer food into microwave-safe dish.
Metal or metal-trimmed utensils	Metal shields the food from microwave energy. Metal trim may cause arcing.
Metal twist ties	May cause arcing and could cause a in the oven.
Paper bags	May cause fire in the oven.
Plastic foam	Plastic foam may melt or contaminate the liquid inside when exposed to high temperature.
Wood	Wood will dry out when used in the microwave oven and may split or crack.

MATERIALS YOU CAN USE IN MICROWAVE OVEN

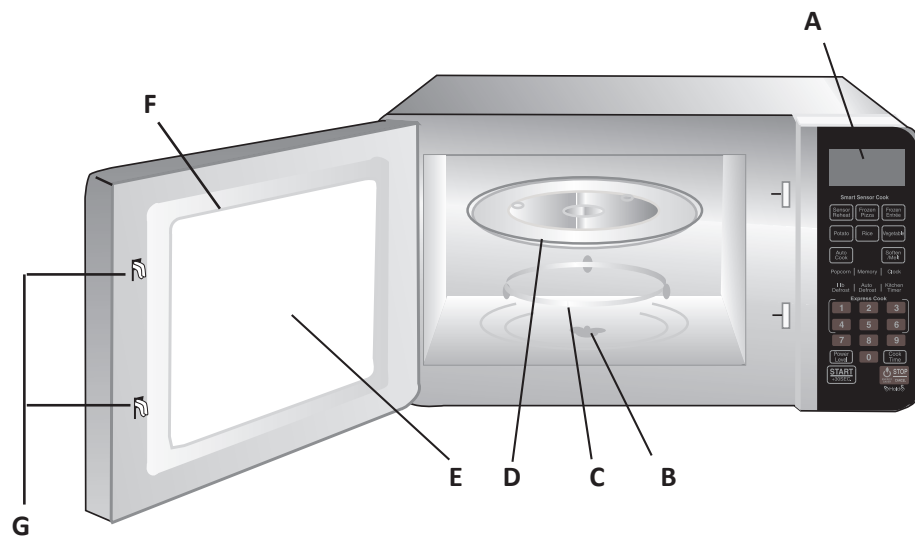
Utensils	Remarks
Browning dish	Follow manufacturer* instructions. The bottom of browning dish must be at least 3/16 inch (5mm) above the turntable. Incorrect usage may cause the turntable to break.
Dinnerware	Microwave-safe only. Follow manufacturer's instructions. Do not use cracked or chipped dishes.
Glass jars	Always remove lid. Use only to heat food until just warm. Most glass jars are not heat resistant and may break.
Glassware	Heat-resistant oven glassware only. Make sure there is no metallic trim. Do not use cracked or chipped dishes.
Oven cooking bags	Follow manufacturer* instructions. Do not close with metal tie. Make slits to allow steam to escape.
Paper plates and cups	Use for short term cooking/warming only. Do not leave oven unattended while cooking.
Paper towels	Use to cover food for reheating and absorbing fat. Use with supervision for a short-term cooking only.
Parchment paper	Use as a cover to prevent splattering or a wrap for steaming.
Plastic	Microwave-safe only. Follow the manufacturer* instructions. Should be labeled "Microwave Safe ". Some plastic containers soften, as the food inside gets hot. "Boiling bags " and tightly closed plastic bags should be slit, pierced or vented as directed by package.
Plastic wrap	Microwave-safe only. Use to cover food during cooking to retain moisture. Do not allow plastic wrap to touch food.
Thermometers	Microwave-safe only (meat and candy thermometers).
Wax paper	Use as a cover to prevent splattering and retain moisture.

SETTING UP OUR OVEN

Names of Oven Parts and Accessories

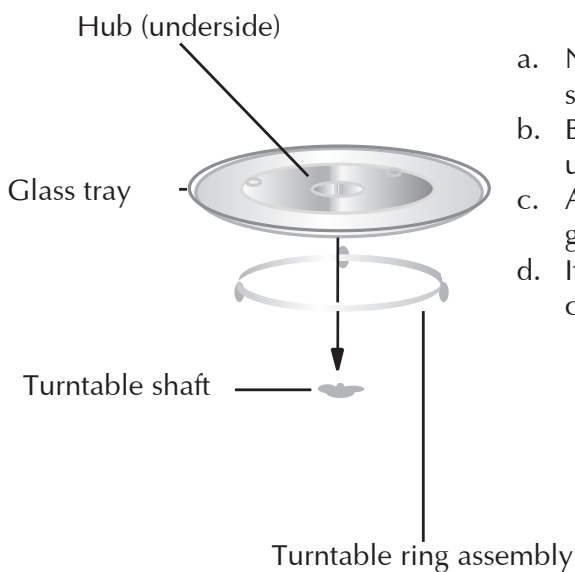
Remove the oven and all materials from the carton and oven cavity. Your oven comes with the following accessories.

Glass tray (turntable)
Turntable ring assembly
Instruction manual



- | | |
|-----------------------------------|-----------------------------------|
| A) Control panel | E) Observation window |
| B) Turntable shaft | F) Door assembly |
| C) Turntable ring assembly | G) Safety interlock system |
| D) Glass tray | |

Turntable Installation



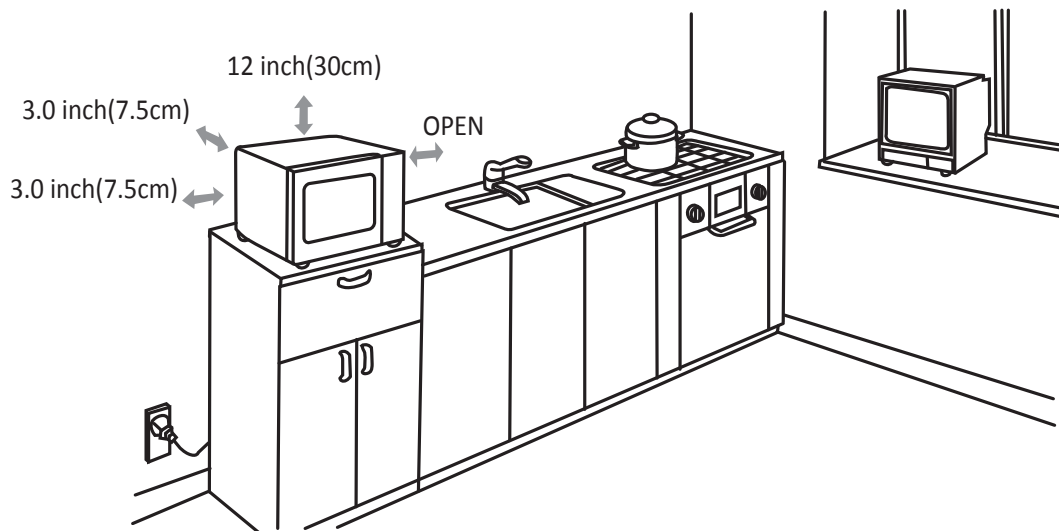
- Never place the glass tray upside down. The glass tray should never be restricted.
- Both glass tray and turntable ring assembly must always be used during cooking.
- All food and containers of food are always placed on the glass tray for cooking.
- If glass tray or turntable ring assembly cracks or breaks, contact your nearest authorized service center.

Countertop Installation

Remove all packing material and accessories. Examine the oven for any damage such as dents or broken door. Do not install if oven is damaged.

Cabinet: Remove any protective film found on the microwave oven cabinet surface.

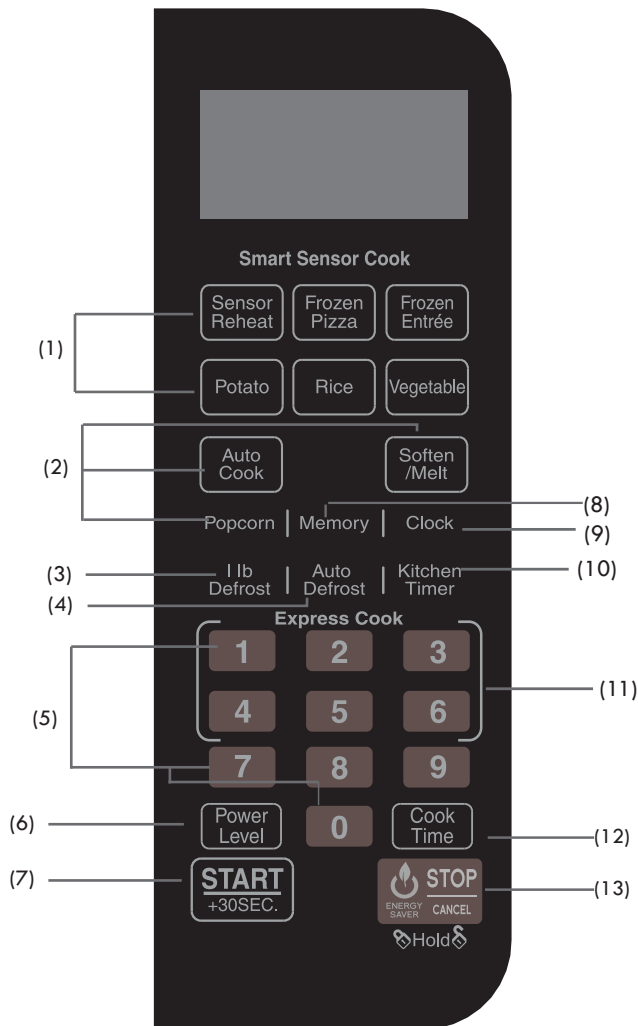
Do not remove the light brown Mica cover that is attached to the oven cavity to protect the magnetron.



1. Select a level surface that provides enough open space for the intake and/or outlet vents. A minimum clearance of 3.0 inches (7.5cm) is required between the oven and any adjacent walls. One side must be open.
 - a. Leave a minimum clearance of 12 inches (30cm) above the oven.
 - b. Do not remove the legs from the bottom of the oven.
 - c. Blocking the intake and/or outlet openings can damage the oven.
 - d. Place the oven as far away from radios and TV as possible. Operation of microwave oven may cause interference to your radio or TV reception.
2. Plug your oven into a standard household outlet. Be sure the voltage and the frequency is the same as the voltage and the frequency on the rating label.

WARNING: Do not install oven over a range cooktop or other heat-producing appliance. If installed near or over a heat source, the oven could be damaged and the warranty would be void.

CONTROL PANEL



1. Smart Sensor Cook (Sensor Reheat, Frozen Pizza, Frozen Entrée, Potato, Rice, Vegetable)
2. Auto Menu (Auto Cook, Soften/Melt, Popcorn)
3. Automatically defrosts one pound items
4. Auto Defrost (Defrost time calculated by entered weight and category of item)
5. Number pads (0-9).
6. Power Level (10 Power Levels Available)
7. START/+30SEC (Begin cooking time or add time to cooking.)
8. Memory
9. Clock
10. Kitchen Timer
11. Express Cook (Number Pad 1-6)
12. Cook Time
13. STOP/CANCEL (Before cooking starts press to clear all previous settings. During cooking, press once to stop oven and press twice to stop oven and clear all settings.)

OPERATION

1. CLOCK SETTING

When the microwave oven is plugged into an outlet, "00:00" will display.

- (1) Press "Clock", "00:00" will appear in the display. The first figure will flash ":" and another "0" will be lit.
- (2) Press the number pads and enter the current time. For example, time is 10:12 now, please press "1, 0, 1, 2" in turn.
- (3) Press "Clock" to finish clock setting. ":" will flash and the clock will be illuminated.
- (4) If the numbers input are not within the range of 1:00-12:59, the setting will be invalid until valid numbers are input.

NOTE:

- A. In the process of clock setting, if the "STOP/Cancel" button is pressed or if there is no operation within 1 minute, the oven will go back to the former setting automatically.
- B. If the clock needs to be reset, please repeat step 1 to step 3.

2. KITCHEN TIMER

- (1) Press "Kitchen Timer" once, the screen will display "00:00" and "Timer".
- (2) Press the number pads and enter the timer time. The maximum cooking time is 99 minutes and 99 seconds.
- (3) Press "START/+30SEC" to confirm setting. The timer indicator will flash and the timer will count down.
- (4) When the timer finishes, the oven will beep 5 times and "End" will appear on the display. The time of day will display by opening the door or pressing "STOP/CANCEL".

NOTE:

- A. The kitchen timer is different and won't interfere with the 12-hour system on your microwave.
- B. Kitchen timer and cooking (including microwave, defrosting, Auto menu) are independent, cooking cannot be set while running the Kitchen Timer.
- C. Kitchen timer amount cannot be increased by pressing "START/+30SEC".
- D. Pressing STOP/CANCEL will cancel the kitchen timer countdown.

3. MICROWAVE COOK

- (1) Press "Cook Time" once, the screen will display "00:00" and "Cook".
- (2) Press number pads to input the cooking time; the maximum cooking time is 99 minutes and 99 seconds.
- (3) Press "Power Level" once, the screen will display "PL10". The default power is 100% power. Press "Power Level" several times or number pads 0-9 to adjust the power level. See the POWER LEVEL table below.
- (4) Press "START/+30SEC" to start cooking.

Example: to cook the food with 50% microwave power for 15 minutes.

- A. Press "Cook Time" once, the screen displays "00:00".
- B. Press "1", "5", "0", "0" in order.
- C. Press "Power Level" once, then press "5" to select 50% microwave power.
- D. Press "START/+30SEC" to start cooking.

NOTE:

- A. In the process of setting, if the "STOP/Cancel" button is pressed or if there is no operation within 1 minute, the oven will go back to the former setting automatically.
- B. You can skip the step of "c" and cook at 100% microwave power.

4. POWER LEVEL

10 Power levels are available

Level	10	9	8	7	6	5	4	3	2	1
Power	100%	90%	80%	70%	60%	50%	40%	30%	20%	10%
Display	PL10	PL9	PL8	PL7	PL6	PL5	PL4	PL3	PL2	PL1

5. EXPRESS COOK

- (1) Start cooking instantly at 100% power level at cooking times from 1 to 6 minutes by pressing number pads 1 to 6. Press "START/+30SEC" to increase the cooking time by 30 seconds; the maximum cooking time is 99 minutes and 99 seconds.
- (2) Start cooking instantly at 100% power level with 30 seconds cooking time by pressing "START/+30SEC". Each press on the same button will increase cooking time by 30 seconds. The maximum cooking time is 99 minutes and 99 seconds.

NOTE:

- A. During microwave cooking and Auto Menu, time can be added in 30 second increments by pressing "START/+30SEC" button.
- B. Under Sensor cooking and Weight Defrost modes, time cannot be added by "START/+30SEC" button.

6. AUTO DEFROST FUNCTION

- (1) Press "Auto Defrost", the screen will display "dEF1" and "DEF". Press repeatedly and "dEF2", "dEF3", "dEF1", will display in order.

DISPLAY	dEF1	dEF2	dEF3
FOOD	Meat	Poultry	Fish

- (2) Press numerical buttons to input weight to be defrosted. "Lbs" will light. Input the weight range between 0.1- 6.0 lbs. The unit will not operate until the weight input is between 0.1- 6.0 lbs.
- (3) Press "START/+30SEC" to start defrosting. The time remaining will display and "DEF" will light.

NOTE:

During defrosting, the oven will beep twice to remind you to turn over the food. Open the door to pause operation, turn over the food, close the door and press "START/+30SEC" to resume defrost cycle. If you do not open the door to pause operation, the oven will continue the defrost cycle without interruption.

7. 1lb Defrost

- (1) Press "1lb Defrost", "1.0", "DEF." and "Lbs" will appear in the display.
- (2) Press "START/+30SEC" to cook. Oven beeps 5 times when cooking is finished.

8. SENSOR COOK (Sensor Reheat, Frozen Pizza, Frozen Entrée, Potato, Rice, Vegetable)

- (1) Press the pad for one of the Sensor Menu functions. An "SC-" number will display. Example: If "Rice" is pressed, "SC-5" will display.
- (2) Press "START/+30SEC" to begin sensor cooking. Once the item is sensed, the remaining cook time will display. When cooking finishes, the oven beeps five times.

NOTE:

- (1) For best cooking results:
 - (a) The room temperature cannot be over 95°F (35°C).
 - (b) The weight of food must be more than 4 oz (110g).
 - (c) The oven cavity, glass tray and utensils must be dry before putting the food in.
- (2) During cooking:
 - (a) The food can be covered, but the cover or lid must be vented with a hole to allow steam to escape.
 - (b) Wait until the cooking time is displayed and starts to count down. Opening the door or pressing "STOP/CANCEL" before the cooking time is displayed will cause an error in the sensor cooking process.

EXAMPLE: POTATO SENSOR COOK:

- (1) Press "POTATO" pad once, "SC-4" will appear in the display.
- (2) Press "START/+30SEC" to start cooking.

NOTE:

- A. Puncture the surface of each potato several times with a fork.
- B. Place up to 4 potatoes on the glass turntable with at least 1 inch between each potato.

EXAMPLE: SENSOR REHEAT:

- (1) After placing food in the oven, press "Sensor Reheat" pad once, "SC-1" will appear in the display.
- (2) Press "START/+30SEC" to start cooking. Oven will beep 5 times when cooking is finished.

NOTE:

- 1) Food to be avoided in sensor reheating.
 - a. Bread and other dry food, such as biscuits or cake.
 - b. Raw or uncooked food.
 - c. Beverages and frozen food.
- 2) The food can be covered, but the cover or lid must be vented with a hole to allow steam to escape.
- 3) The food temperature must be at least 40°F (5°C) when placing it into the oven for Sensor Heat to work correctly.
- 4) Preparing foods for Sensor Reheat:
 - a. Casseroles - Add 2 to 3 tablespoons of liquid, covered with lid or vented plastic wrap. Stir when time appears in the display window.
 - b. Canned foods - Empty contents into casserole dish or serving bowl, and cover with vented lid or plastic wrap. After reheating, let food stand for a few minutes.
 - c. Plate of food - Arrange food on plate; top with butter, gravy, etc. Cover with vented lid or plastic wrap. After reheating, let food stand for a few minutes.

EXAMPLE: VEGETABLE SENSOR COOK:

- (1) To cook fresh vegetables, press "Vegetable" once, "SC-6" will display.
- (2) Press "START/+30SEC" to start cooking. After the cooking time displays the food can be turned over. Oven will beep 5 times when finished cooking.

SENSOR MENU CHART

Menu button	Sensor Reheat	Frozen Pizza	Frozen Entrée	Potato	Rice	Vegetable
Food	Sensor Reheat	Frozen Pizza	Frozen Entrée	Potato	Rice	Fresh/Frozen Vegetable
Food Code	SC-1	SC-2	SC-3	SC-4	SC-5	SC-6/SC-7
Weight/Portion	8~32 oz	6~12 oz	8~32 oz	1~4 potatoes 10 oz each	8.0 oz~16.0 oz	4~16 oz

9. POPCORN

- (1) Press "Popcorn" repeatedly until the weight you needed appears in the display: "1.75", "3.0" and "3.5" oz will display in order.
- (2) Press "START/+30SEC" to cook. Oven beeps 5 times when cooking is finished.

10. AUTO COOK

- (1) Press "Auto Cook" once, the screen will display "CC-1".
- (2) Press "Auto Cook" four more times, "CC-2", "CC-3", "CC-4", "CC-5" will display in order.
- (3) After selecting Auto Cook setting, press the number pad to enter the weight of the food item.
- (4) Press "START/+30SEC" to start cooking. Oven beeps 5 times when cooking is finished

11. SOFTEN/MELT

- (1) Press "Soften/Melt" once, the screen will display "S-1".
- (2) Press "Soften/Melt" six more times, "S-2", "S-3", "S-4", "S-5", "S-6", "S-7" will display in order.
- (3) After selecting Soften/Melt setting, press the number pad to enter the weight of the food item.
- (4) Press "START/+30SEC" to start cooking. Oven beeps 5 times when cooking is finished.

AUTO MENU CHART

MENU	ITEM	DISPLAY	WEIGHT
Auto Cook	Bacon	CC-1	2-6 SLICES
	Roll/Muffin	CC-2	1-6 PIECES
	Beverage	CC-3	1-2 CUPS
	Chicken Pieces	CC-4	0.5-2.0 lbs
	Oatmeal with Milk	CC-5	20/40 oz
Soften/Melt	Melt Butter	S-1	1-3 STICKS
	Melt Chocolate	S-2	4 or 8 oz
	Melt Cheese	S-3	8 or 16 oz
	Melt Marshmallows	S-4	5 or 10 oz
	Soften Butter	S-5	1-3 STICKS
	Soften Ice Cream/Frozen Juice	S-6	6, 12, or 16 oz
	Soften Cream Cheese	S-7	3 or 8 oz

12. MEMORY FUNCTION

- (1) Press "Memory" to choose up to 3 cooking programs. 1, 2, or 3 will display.
- (2) If the program has been set, press "START/+30SEC" to use it. If not, continue to set the program. A maximum of two microwave stages can be set for each procedure.
- (3) After finishing the setting, press "Memory" to save the procedure and turn back to the standby modes. Press "START/+30SEC" to save and operate the setting.

EXAMPLE: To set the following program as the second memory, that is memory 2, and cook the food with 80% microwave power for 3 minutes and 20 seconds. Follow these steps:

- A. In standby mode, press "Memory" twice, "2" displays.
- B. Press "Cook Time", then input number pads "3", "2", "0" to choose the cooking time.
- C. Press "Power Level" once, then press number button "8", "PL8" displays.
- D. Press "Memory" to save the current setting. The oven beeps once then turns back to standby mode. If "START/+30SEC" is pressed, the cooking program can be saved as memory 2 and operated.
- E. If the electricity is not cut off, the program will be saved permanently. If it is, the program will need to be reset.
- F. To run the saved program, in standby mode, press "Memory" twice, "2" displays and press "START/+30SEC" to run the saved cooking program.

NOTE: Auto cook and defrosting cannot be set in memory function.

13. MULTI-STAGE COOKING

At most, 2 stages can be set for cooking. In multi-stage cooking, if one stage is defrosting, then defrosting shall be placed at the first stage automatically.

NOTE: Auto menu cannot be used in multi-stage cooking.

Example: if you want to cook with 80% microwave power for 5 minutes + 60% microwave power for 10 minutes. The cooking steps are as follows:

- (1) Press "Cook Time" once, then press "5", "0", "0" to set 5 minutes.
- (2) Press "Power Level" once, then press number button "8" to set 80% microwave power.
- (3) Press "Cook Time" once, then press "1", "0", "0", "0" to set 10 minutes.
- (4) Press "Power Level" once, then press number button "6" to set 60% microwave power.
- (5) Press "START/+30SEC" to start cooking.

14. INQUIRING FUNCTION

- (1) In the microwave cooking mode, press "Clock" and the current time of day will be displayed for three seconds then return to the previous mode.
- (2) In the microwave cooking mode, press "Power Level" and the current microwave power will be displayed for 3 seconds then return to the previous mode.

15. ENERGY SAVER MODE

- (1) In standby mode, press the STOP/Cancel once (less than 3 seconds to avoid starting the child lock function) to enter the Energy Saver mode.
- (2) In child-locked mode, press the STOP/Cancel once (less than 3 seconds) and release to enter the Energy Saver Mode.
- (3) Above operation is the only way to start the Energy Saver mode.
- (4) The Energy Saver mode works only if the door is closed.

16. CHILD LOCK FUNCTION

To lock the microwave so that it cannot be operated by children or other unintended users:

- (1) In standby mode, press "STOP/Cancel" for 3 seconds. There will be a long "beep" denoting the child-lock mode and the screen will display "LOC"
- (2) To unlock press "STOP/Cancel" for 3 seconds, there will be a long "beep" and "LOC" will disappear in the display.

17. END OF COOKING REMINDER

When the cooking is over, the oven will beep 5 times to alert user that cooking is finished. "END" will appear in the display. The time of day will display by opening the door or pressing the "STOP/CANCEL" pad.

18. OTHER SPECIFICATIONS

- (1) "START/+30SEC." must be pressed to continue cooking if the door is opened during cooking.
- (2) Once the cooking programme has been set, "START/+30SEC." is not pressed in 1 minute. The current time will be displayed. The setting will be cancelled.
- (3) The buzzer sounds once by efficient press, inefficient press will be no response.
- (4) The buzzer will sound five times to remind you when cooking is finished.

MAINTENANCE

Troubleshooting

Check your problem by using the chart below and try the solutions for each problem. If the microwave oven still does not work properly, call the customer service number 877-648-5973.

Trouble	Possible Cause	Possible Remedy
Oven will not start	<ul style="list-style-type: none"> a. Electrical cord for oven is not plugged in. b. Door is open. c. Wrong operation is set. 	<ul style="list-style-type: none"> a. Plug into the outlet. b. Close the door and try again. c. Check instructions.
Arcing or sparking	<ul style="list-style-type: none"> a. Materials to be avoided in microwave oven were used. b. The oven is operated when empty. c. Spilled food remains in the cavity. 	<ul style="list-style-type: none"> a. Use microwave-safe cookware only. b. Do not operate with oven empty. c. Clean cavity with wet towel.
Unevenly cooked foods	<ul style="list-style-type: none"> a. Materials to be avoided in microwave oven were used. b. Food is not defrosted completely. c. Cooking time, power level is not suitable. d. Food is not turned or stirred. 	<ul style="list-style-type: none"> a. Use microwave-safe cookware only. b. Completely defrost food. c. Use correct cooking time, power level. d. Turn or stir food.
Overcooked foods	Cooking time, power level is not suitable.	Use correct cooking time, power level.
Undercooked foods	<ul style="list-style-type: none"> a. Materials to be avoided in microwave oven were used. b. Food is not defrosted completely. c. Oven ventilation ports are restricted. d. Cooking time, power level is not suitable. 	<ul style="list-style-type: none"> a. Use microwave-safe cookware only. b. Completely defrost food. c. Check to see that oven ventilation ports are not restricted. d. Use correct cooking time, power level.
Improper Defrosting	<ul style="list-style-type: none"> a. Materials to be avoided in microwave oven were used. b. Cooking time, power level is not suitable. c. Food is not turned or stirred. 	<ul style="list-style-type: none"> a. Use microwave-safe cookware only. b. Use correct cooking time, power level. c. Turn or stir food.
Sensor cooked foods not properly cooked	<ul style="list-style-type: none"> a. Cover or lid on food not vented. b. Door opened before sensor-detected cooking time appears in display. 	<ul style="list-style-type: none"> a. Cover or lid over food must contain vent hole for escaping steam. b. Do not open door to stir or turn food before sensor-detected cooking time appears in display.

ONE YEAR LIMITED WARRANTY

This warranty applies to products purchased and used in the U.S. and Canada.

This is the only expressed warranty for this product and is in lieu of any other warranty or condition.

This product is warranted to be free from defects in material and workmanship for a period of one (1) year from the date of original purchase. This warranty is valid for the original retail purchaser or gift recipient from the date of initial retail purchase and is not transferable.

Keep your original sales receipt as proof of purchase is required to make a warranty claim.

IMPORTANT: This warranty does not cover damages resulting from use not in conformity with the printed directions, accident, misuse or abuse, alternation, the affixing of any attachments not provided with the product, loss of parts, or subjecting the appliance to any but the specified voltage. (Read directions carefully.) This warranty is void if the product is used for other than single-family household use or subjected to any voltage and waveform other than as specified on the rating label (e.g., 120V ~ 60 Hz).

Englewood Marketing LLC excludes all claims for special, incidental, and consequential damages caused by breach of express or implied warranty. All liability is limited to the amount of the purchase price. Every implied warranty, including any statutory warranty or condition of merchantability or fitness for a particular purpose, is disclaimed except to the extent prohibited by law, in which case such warranty or condition is limited to the duration of this written warranty. This warranty gives you specific legal rights. You may have other legal rights that vary depending on where you live. Some states or provinces do not allow limitations on implied warranties or special, incidental, or consequential damages, so the foregoing limitations may not apply to you.

To make a warranty claim or if service is required, please call our CUSTOMER SERVICE NUMBER.

For faster service, please have the model, type, and series numbers ready for the operator to assist you.

Customer Service Number
Englewood Marketing LLC
In the US 877-648-5973

Email: CustomerService@emllc-USA.com



