

This Owner's Manual is provided and hosted by [Appliance Factory Parts](#).



Farberware FDW05ASWWHC Owner's Manual

[Shop genuine replacement parts for Farberware
FDW05ASWWHC](#)



[Find Your Farberware Dishwasher Parts - Select From 5 Models](#)

----- Manual continues below -----

FARBERWARE®

Farberware is a registered trademark of Farberware Licensing Company, LLC
Manufactured and sold pursuant to a license from Farberware Licensing Company,
LLC © 2019 Farberware Licensing Company, LLC. All rights reserved.

(rev. 11/06/19 MD)

FARBERWARE®



FDW05ASWWHC

Portable Countertop Dishwasher
Lavavajillas para encimera portátil
Lave-vaisselle portable pour le comptoir

Instruction Manual
Manual de Instrucciones
Manuel d'utilisation

CONTENTS

SAFETY	2
IMPORTANT SAFEGUARDS	3
ADDITIONAL IMPORTANT SAFEGUARDS	3
INTRODUCTION	5
GROUNDING THE UNIT.	6
PARTS & ASSEMBLY	7
OPERATION	8
LOADING THE DISHWASHER	8
DETERGENT USE	11
STARTING A WASHING PROGRAM	11
CLEANING & MAINTENANCE	13
INSTALLATION INSTRUCTIONS	15
TROUBLESHOOTING TIPS	17
RETURNS & WARRANTY	20

SAFETY

Your safety and the safety of others is very important.

We have provided many important safety messages in this manual and on your appliance. Always read and obey all safety messages.



This is the safety alert symbol.

This symbol alerts you to potential hazards that can cause serious injury to you and others.

All safety messages will follow the safety alert symbol.

All safety messages will tell you what the potential hazard is, tell you how to reduce the chance of injury, and tell you what can happen if the instructions are not followed.

Appliance Specifications:

120 Volts, 60 Hertz
Rated Output: 780 Watts



THIS PRODUCT IS FOR USE IN 120V AC OUTLET ONLY.

IMPORTANT SAFEGUARDS

A person who has not read and understood all operating and safety instructions is not qualified to operate this appliance. All users of this appliance must read and understand this Instruction Manual before operating or cleaning this appliance.

When using electrical appliances, basic safety precautions should always be followed, including:

1. **Read all instructions before operating this appliance.**
2. DO NOT TOUCH the hot surfaces. Use handles or knobs.
3. This appliance is NOT A TOY.
4. Unsupervised young children and cognitively challenged individuals should never operate this appliance.
5. Close supervision is necessary when any appliance is used by or near children.
6. To protect against electrical shock do not immerse cord, plug or any part of this appliance in water or other liquids.
7. Unplug from outlet when not in use, before removing parts and before cleaning. Allow to cool before putting on or taking off any parts, and before cleaning.
8. DO NOT operate any appliance with a damaged cord or plug, or after the appliance malfunctions, or if the appliance has been damaged in any manner. Return the appliance to the nearest repair shop for examination, repair or adjustment.
9. The manufacturer does not recommend the use of accessory attachments other than what is provided by the manufacturer. Use of attachments may cause injuries.
10. DO NOT use the appliance for other than its intended use.
11. DO NOT use outdoors. FOR HOUSEHOLD USE ONLY.
12. DO NOT place on or near a hot gas or electric burner, or in a heated oven.
13. DO NOT let cord hang over edge of table or counter, or touch hot surfaces.
14. NEVER leave unit unattended while in use or when plugged into an outlet.
15. Extreme caution must be used when moving an appliance containing hot food.
16. Always attach plug to appliance first, then plug cord in the wall outlet. To disconnect, turn any control to "off," then remove plug from wall outlet.

ADDITIONAL IMPORTANT SAFEGUARDS

Operating Safety Precautions

1. Do not abuse, sit on, or stand on the door or dish rack of the dishwasher.
2. Do not touch the heating element during or immediately after use. (This instruction is only applicable to machines with a visual heating element.)
3. Do not operate your dishwasher unless all enclosure panels are properly in place. Open the door very carefully if the dishwasher is operating, there is a risk of water squirting out. Do not place any heavy objects of stand on the door when it is open. The appliance could tip forward.
4. When loading items to be washed:

- Locate sharp items so that they are not likely to damage the door seal.
 - Warning: Knives and other utensils with sharp points must be loaded in the basket with their points down or placed in a horizontal position.
5. When using your dishwasher, you should prevent plastic items from coming into contact with heating element. (This instruction is only applicable to machines with a visual heating element.)
 6. Check that the detergent dispenser is empty after completion of the wash cycle.
 7. Do not wash plastic items unless they are marked dishwasher safe or the equivalent. For plastic items not marked, check the manufacturer's recommendations.
 8. Use only detergent and rinse additives designed for an automatic dishwasher.
 9. Never use soap, laundry detergent, or hand washing detergent in your dishwasher. Keep these products out of the reach of children.
 10. Keep children away from detergent and rinse aid, keep children away from the open door of the dishwasher as there could still be some detergent left inside.
 11. Dishwasher detergents are strongly alkaline, they can be extremely dangerous if swallowed. Avoid contact with skin and eyes and keep children away from the dishwasher when the door is open. The door should not be left in the open position since this could present a tripping hazards.
 12. Remove the door to the washing compartment when removing an old dishwasher from service or discarding it.
 13. Please dispose of packing materials properly. Use the dishwasher only for its intended function. During installation, the power supply must not be excessively or dangerously bent or flattened. Do not tamper with controls.
 14. The appliance is to be connected to the water mains using new hose sets and that old hose-sets should not be reused.
 15. The maximum number of place settings to be washed is 6. The maximum permissible inlet water pressure is 1Mpa. The minimum permissible inlet water pressure is 0.04Mpa.

Instructions for the Electrical Cord and Plug

1. ELECTRICAL SHOCK HAZARD: Failure to follow these instructions can result in death, fire, or electrical shock.
 - Plug into a grounded 3 prong outlet.
 - DO NOT remove ground prong.
 - DO NOT use an adapter.
 - DO NOT use an extension cord.
2. This unit MUST be grounded. In the event of an electrical short circuit, grounding reduces the risk of electric shock by providing an escape wire for the electric current. This unit is equipped with a cord having a grounding wire with a grounding plug. The plug must be plugged into an outlet that is properly installed and grounded.
3. WARNING: Improper use of the grounding plug can result in a risk of electric shock. **If the plug does not fit fully into the outlet, contact a qualified electrician. Do not attempt to modify the plug in any way.**
4. A short power supply cord is provided to reduce the risk resulting from becoming entangled or tripping over a long cord.
5. The manufacturer does not recommend using this machine in countries that do not support 120V AC even if a voltage adapter, transformer, or converter is in use.

SAVE THESE INSTRUCTIONS!

INTRODUCTION

Thank you for purchasing the PORTABLE COUNTERTOP DISHWASHER from Farberware! A perfect space saving solution for small living spaces, RVs, Boats, or anyplace you need big cleaning in a compact size. This powerful, easy to use, portable dishwasher features 3 washing programs (Rinse/Heavy/Normal) and needs no external hookups as it has a built-in water tank. It's easy to install, has simple one-touch digital controls, and easily sits right on your countertops or a sturdy tabletop.

Features include:

- 3 Wash Programs: Heavy/Normal/Rinse
- Baby-care function
- Built-in water tank (only 5L of water needed)
- 2 standard place setting capacity
- 24 hours Delay Start
- A+ 58 dBA noise level
- Digital touch control

GROUNDING THE UNIT

This appliance must be grounded. In the event of a malfunction or breakdown, grounding will reduce the risk of electric shock by providing a path of least resistance of electric current. This appliance is equipped with a cord having an equipment-grounding conductor and a grounding plug. The plug must be plugged into an appropriate outlet that is installed and grounded in accordance with all local codes and ordinances.

Improper connection of the equipment-grounding conductor can result in a risk of electric shock. Check with a qualified electrician or service representative if you are in doubt whether the appliance is properly grounded. Do not modify the plug provided with the appliance; if it is not fit for the outlet. Have a proper outlet installed by a qualified electrician.



WARNING: Improper use of the grounding plug can result in a risk of electric shock.

FOR PERSONAL SAFETY

DO NOT USE AN EXTENSION CORD OR AN ADAPTER PLUG WITH THIS APPLIANCE. DO NOT, UNDER ANY CIRCUMSTANCES, CUT OR REMOVE THE EARTHING CONNECTION FROM THE POWER CORD.

ELECTRICAL REQUIREMENTS

Please look at the rating label to know the rating voltage and connect the dishwasher to the appropriate power supply. Use the required fuse 10 amp, time delay fuse or circuit breaker recommended and provide separate circuit serving only this appliance.

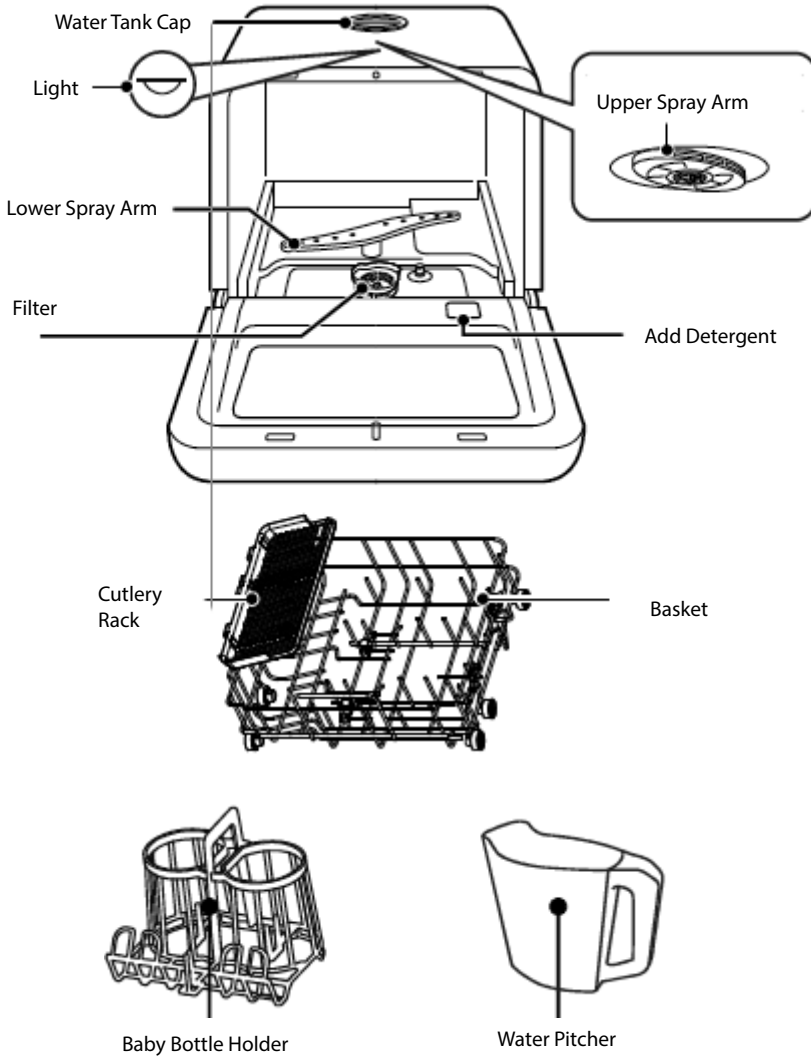
ELECTRICAL CONNECTION

Ensure the voltage and frequency of the power being corresponds to those on the rating plate. Only insert the plug into an electrical socket which is earthed properly. If the electrical socket to which the appliance must be connected is not appropriate for the plug, replace the socket, rather than using adapters or the like as they could cause overheating and burns.

PARTS & ASSEMBLY

Your PORTABLE COUNTERTOP DISHWASHER is fully assembled. Before using, remove all packing materials from inside the dishwasher. Check the dishwasher for any damage, such as misaligned or bent door, damaged door seals and sealing surfaces, broken or loose hinges and latches and dents inside the dishwasher or on the door. If there is any damage, DO NOT operate the dishwasher. Return damaged items to the store where it was purchased.

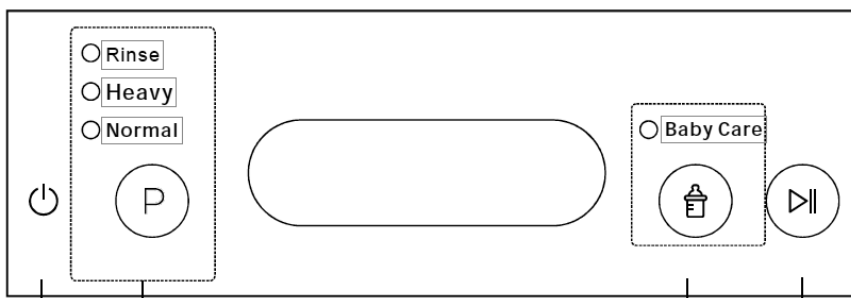
PARTS



OPERATION INSTRUCTIONS

ENGLISH

CONTROL PANEL



PROGRAM	DISPLAY
Power	Press this button to turn on your dishwasher.
Program	Press the buttons to select the appropriate washing program. Rinse A shorter wash to rinse the dishes. Heavy For heavy soiled loads, such as pots, plates, glasses and soiled pans. Normal For normal loads, such as pots, plates, glasses and lightly soiled pans.
Baby Care	Releases high temperature steam at the time first 5 minutes to soft dry stains on the dishes and makes it easy to wash away suitable for washing baby bottles.
Start/Pause	Press this button to start or pause the dishwasher.

LOADING THE DISHWASHER

RECOMMENDATION

- Consider buying utensils which are identified as dishwasher-proof
- Use a mild detergent that is described as 'kind of dishes'. If necessary, seek further information from detergent manufacturers
- For particular items, select a program with as low a temperature
- To prevent damage, do not take glass and cutlery out of the dishwasher immediately after the program has ended.

FOR WASHING IN THE DISHWASHER THE FOLLOWING CUTLER/DISHES

Are not suitable

- Cutlery with wooden, horn china or mother-of-pearl handles

- Plastic items that are not heat resistant Older cutlery with glued parts that is not temperature resistant
- Bonded cutlery items or dishes Pewter or cooper items
- crystal glass
- Steel items subject to rusting Wooden platters
- Items made from synthetic fibers

Are of limited suitability

- Some types of glasses can become dull after many washes
- Silver and aluminum parts tend to discolor during washing
- Glazed patterns may fade if machine washed frequently

ATTENTION BEFORE OR AFTER LOADING THE DISHWASHER BASKETS

For best performance of the dishwasher, follow these loading guidelines. Features and appearance of baskets and cutlery baskets may vary from your model.

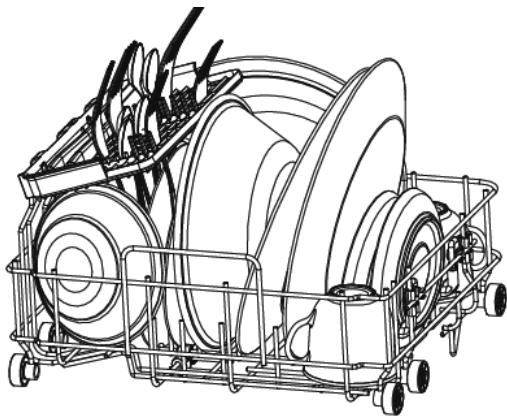
- Scrape off any large amounts of leftover food. Soften remnants of burnt food in pans It is not necessary to rinse the dishes under running water.
- Place objects in the dishwasher in following way:
 1. Items such as cups, glasses, pots/pans, etc. are face down.
 2. Curved items, or those with recesses, should be loaded at a slant so that water can run off.
 3. All utensils are stacked securely and can not tip over.
 4. All utensils are placed in the way that the spray arms can rotated freely during washing.

NOTE: Very small items should not be washed in the dishwasher as they could easily fall out of the basket.

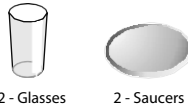
- Load hollow items such as cups, glasses, pans etc. With the opening downwards so that water cannot collect in the container or a deep base.
- Dishes and items of cutlery must not lie inside one another, or cover each other. To avoid damage to glasses, they must not touch.
- Load large items which are most difficult to clean into the basket.
- Long bladed knives stored in an upright position are a potential hazard!
- Long and/or sharp items of cutlery such as carving knives must be positioned horizontally in the basket.
- Please do not overload your dishwasher. This is important for good results and for reasonable energy consume.

LOADING THE BASKET

Position the dishes and cookware so that they will not get moved by the spray of water.



2 - Cups 1 - Serving Bowl



2 - Glasses 2 - Saucers



2 - Dessert Bowls 1 - Oval Platter



2 - Dinner Plates 2 - Salad Plates



2 Dinner Forks



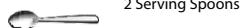
2 Knives



2 Teaspoons



1 Serving Fork



2 Serving Spoons

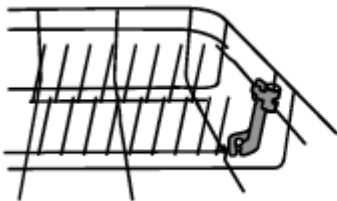
Recommended loading layout with one serving bowl and two settings personal tableware.

Folding down the rack shelves

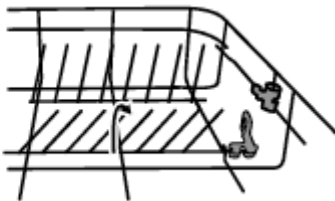
The spikes are used for holding plates and a platter. They can be lowered to make more room for large items.

Folding down to load large size tableware or fruit basket or baby bottle rack.

Raise upwards



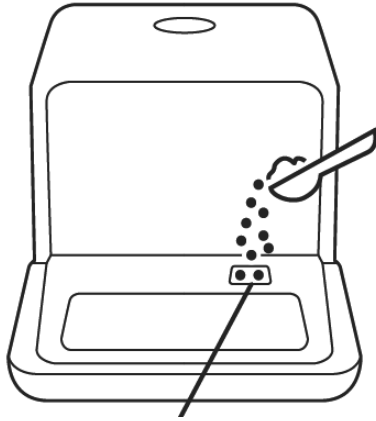
Fold downwards



DETERGENT USE

Only use detergent made specifically for dishwashers. Do not use rinse aids. Dishwasher detergent is corrosive! Keep away from children. Use long programs when using Detergent tablets. Short programs may not allow the tablets to fully dissolve.

- The use of Normal washing program in combination with Low alkaline concentrated detergents with natural enzymes reduces pollution and is good for your dishes.
- The detergent must be refilled before the start of each wash cycle. Your dishwasher uses less detergent than traditional dishwashers. Generally, only one tablespoon of detergent is needed for a normal wash load. Always add the detergent just before starting the dishwasher otherwise it could get damp and will not dissolve properly.



Add the detergent to the detergent dispenser.

STARTING A WASHING PROGRAM

WASH CYCLE TABLE

PROGRAM	DESCRIPTION OF CYCLE	DETERGENT PRE/MAIN	RUNNING TIME (MIN.)	ENERGY (KWH)	WATER (Gal.)
Rinse	Rinse (96) Rinse	None	12	0.15	1.3
Heavy	Wash (143) Rinse Rinse (158) Drying	6 g	160	0.5	1.3
Normal	Wash (131) Rinse Rinse (161) Drying	6 g	155	0.43	1.3

TURNING ON THE APPLIANCE

Starting a wash cycle:

1. Draw out the basket (see the section entitled "Loading the Dishwasher ");
2. Pour in the detergent (see the section entitled "Detergent and Rinse Aid ");
3. Insert the plug into the socket. The power supply is 120V/60 Hz;
4. Make sure that the water supply is turned on to full pressure or water is added to the tank.
5. Close the door and press the power button to turn on the power supply;
6. Press the program button to select wash program you need. If a program is selected, the response light will light.
7. Then press the Start/Cancel button, the dishwasher begins to start.

CHANGE THE PROGRAM

A wash cycle can only be changed if it has been running for a short time otherwise, the detergent may have already been released and the dishwasher may have already drained the wash water. If this is the case, the dishwasher needs to be reset and the detergent dispenser must be refilled. To reset the dishwasher, follow the instructions below:

1. Press the Start/Pause button to pause the washing
2. Press the Start/Pause for more than 3 seconds, the machine will be in stand by state.
3. Press a new program button to select the desired program.
4. Press the Start/Pause button, then the dishwasher will start.

NOTE: If you open the door during washing, the machine will pause. When you and press the Start/Pause Button, the machine will keep on working after 10 seconds.

FORGET TO ADD A DISH?

A forgotten dish can be added any time before the detergent cup opens.

1. Open the door a little to stop the washing.
2. After the spray arms stop working you can open the door completely.
3. Add forgotten dishes.
4. Close the door.
5. Press the Start/Pause button, the dishwasher will run.

AT THE END OF THE WASH CYCLE

When the working cycle has finished, the buzzer of dishwasher will sound 8 seconds, then stop. Turn off the appliance using the power button, shut off the water supply and open the door of the dishwasher. Wait a few minutes before unloading the dishwasher to avoid handling the dishes and utensils while they are still hot and more susceptible to breakage. They will also dry better.

Switch off the dishwasher:

1. Switch off the dishwasher by pressing the power button.
2. Turn off the water tap!

Open the door carefully:

Hot dishes are sensitive to knocks. The dishes should therefore be allowed to cool down around 15 minutes before removing from the appliance.

Open the dishwasher's door, leave it ajar and wait a few minutes before removing the dishes. In this way they will be cooler and the drying will be improved.

Unloading the dishwasher:

It is normal that the dishwasher is wet inside.

FORCED DRAINAGE OPERATION:

In standby mode, you can press and hold "GLASS" button + "AIR REFRESH"

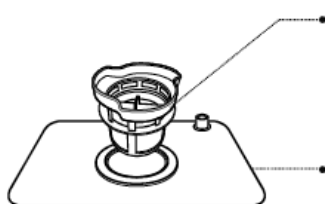
button for 3 seconds simultaneously to drain the water tank.

CLEANING & MAINTENANCE

FILTERING SYSTEM

The filter prevents larger remnants of food or other objects from getting inside the pump. For best performance and results, the filter assembly must be cleaned regularly. For this reason, it is a good idea to move the larger food particles trapping in the filter after each wash cycle by rinsing the filter and cup under running water.

To remove the filter assembly, pull the cup handle in the upward direction.



Fine Filter

This filter holds soil and food residues in the sump area and prevents it from being deposited on the dishes during wash cycle.

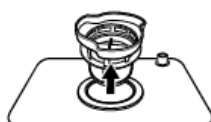
Main Filter

Food and soil particles trapped in this filter are pulverized by a special jet on the lower spray arm and washed down to drain.

Step 1: Contrarotate the filter assembly, then lift it all up.



Step 2: Lift fine filter up from main filter.



Filter assembly

- Inspect the filters for blocking every time the dishwasher has been used.
- By unscrewing the coarse filter, you can remove the filter system. Remove any food remnants and clean the filters under running water.

CARING FOR THE DISHWASHER

The control panel can be cleaned by using a lightly dampened cloth and dry thoroughly. The exterior use a good appliance polish wax. Never use sharp objects, scouring pads or harsh cleaners on any part of the dishwasher.

Cleaning the door

To clean the edge around the door, you should use only a soft warm, damp cloth. To avoid penetration of water into the door lock and electrical components, do not use a spray cleaner of any kind.



WARNING: Never use a spray cleaner to clean the door panel as it may damage the door lock and electrical components. Abrasive agent or some paper towel should not be used because of the risk of scratching or leaving spots on the stainless steel surface.

Protect against freezing

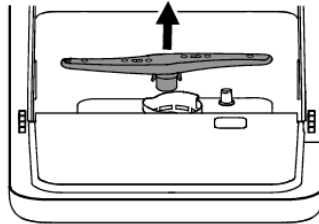
Please take frost protection measures on dishwasher in winter. Each time after washing cycles, please operate as follows:

1. Cut off electrical power to the dishwasher.
2. Turn off the water supply and disconnect the water inlet pipe from the water valve.
3. Drain water from the inlet pipe and water valve. (Use a pan to catch the water)
4. Reconnect the water inlet pipe to the water valve.
5. Remove the filter at the bottom of the tub and use a sponge to use up water in sump.

Cleaning the spray arms

The spray arms can be easily removed for periodic cleaning of the nozzles, to prevent possible clogging. Wash them under running water and carefully replace them in their seats, checking that their rotary movement is in no way impeded.

Grasp the middle of the spray arm, pull it upwards to remove it. Wash the arms under a jet of running water and return them carefully to their seat. After reassembly, check that the spray arms turn freely. Otherwise, check that they have been installed correctly.



How to keep your dishwasher in shape

- **After every wash:** After every wash, turn off the water supply to the appliance and leave the door slightly open so that moisture and odors are not trapped inside.
- **Remove the plug:** Before cleaning or performing maintenance, always remove the plug from the socket.
- **No solvents or abrasive cleaning:** To clean the exterior and rubber parts

of the dishwasher, do not use solvents or abrasive cleaning products. Only use a cloth with warm soapy water. To remove spots or stains from the surface of the interior, use a cloth dampened with water with a little vinegar, or a cleaning product made specifically for dishwashers.

- **When it is not in need for a long time:** It is recommended that you run a wash cycle with the dishwasher empty and then remove the plug from the socket, turn off the water supply and leave the door of the appliance slightly open. This will help the door seals to last longer and prevent odors from forming within the appliance.
- **Moving the appliance:** If the appliance must be moved, try to keep it in the vertical position. If necessary, it can be positioned on its back.
- **Seals:** One of the factors that cause odors to form in the dishwasher is food that remains trapped in the seals. Periodic cleaning with a damp sponge will prevent this from occurring.

INSTALLATION INSTRUCTION

INSTALLATION PREPARATION

The installation position of dishwasher should be near the existing inlet and drain hoses and power cord.

One side of the cabinet sink should be chosen to facilitate the connection of drain hoses of the dishwasher.

POSITIONING THE APPLIANCE

Position the appliance in the desired location. The back should rest against the wall behind it, and the sides, along the adjacent cabinets or wall. The dishwasher is equipped with water supply and drain hoses that can be positioned to the right or the left to facilitate proper installation.

ABOUT POWER CONNECTION



For personal safety: DO NOT USE AN EXTENSION CORD OR AN ADAPTER PLUG WITH THIS APPLIANCE. DO NOT, UNDER ANY CIRCUMSTANCES, CUT OR REMOVE THE EARTHING CONNECTION FROM THE POWER CORD.

Electrical requirements

Please look at the rating label to know the rating voltage and connect the dishwasher to the appropriate power supply. Use the required fuse 10 amp, time delay fuse or circuit breaker recommended and provide separate circuit serving only this appliance.

Electrical connection

Ensure the voltage and frequency of the power being corresponds to those on the rating plate. Only insert the plug into an electrical socket which is earthed properly. If the electrical socket to which the appliance must be connected is not appropriate for the plug , replace the socket, rather than using a adaptors or the like as they could cause overheating and burns.



WARNING: INSURE PROPER GROUND EXISTS BEFORE USE.

Grounding instructions

This appliance must be earthed. In the event of a malfunction or breakdown, earthing will reduce the risk of electric shock by providing a path of least resistance for the

electric current. This appliance is equipped with a cord having an equipment-earthing conductor and an earthing plug. The plug must be plugged into an appropriate outlet that is installed and earthed in accordance with all local standards and requirements.

WARNING: Improper connection of the equipment earthing conductor can result in the risk of an electric shock. Check with a qualified electrician or service representative if you are in doubt whether the appliance is properly earthed. Do not modify the plug provided with the appliance. If the plug does not fit properly to the outlet, please have a qualified electrician to install a proper outlet.

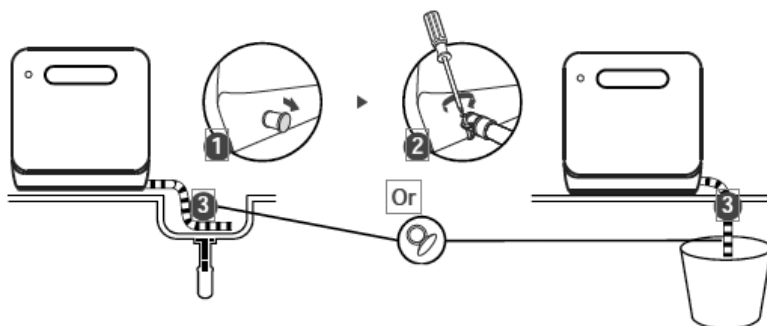
CONNECTION OF DRAIN HOSES

The connection of the drain pipe: Put end of the drain into a sink or bucket.

How to Drain Excess Water From Hoses: If the sink is more than 1000 mm higher than the floor, the excess water in hoses cannot be drained directly into the sink. It will be necessary to drain excess water from hoses into a bowl or suitable container that is held outside and lower than the sink.

Water Outlet: Connect the water drain hose. The drain hose must be correctly fitted to avoid water leaks. Ensure that the water drain hose is not kinked or squashed.

Extension Hose: If you need a drain hose extension, make sure to use a similar drain hose. It must be no longer than 4 metres, otherwise the cleaning effect of the dishwasher could be reduced.



TROUBLESHOOTING TIPS

BEFORE CALLING FOR SERVICE

Review the charts on the following pages may save you from calling for service.

PROBLEM	POSSIBLE CAUSES	WHAT TO DO
Dishwasher doesn't start	Fuse blown, or the circuit breaker tripped Power supply is not turned on Door of dishwasher not closed	Replace fuse or reset circuit breaker. Remove any other appliances sharing the same circuit with the dishwasher Make sure the dishwasher is turned on and the door is closed securely. Make sure power cord is properly plugged in. Close dishwasher, making sure that the door latches.
Water not pumped from dishwasher	Kink in drain hose Filter clogged Kitchen sink clogged	Check drain hose Check the coarse filter (see "Cleaning the filter") Check kitchen sink to make sure it is draining well. If problem is kitchen sink not draining, you may need a plumber rather than a serviceman for dishwasher
Suds in the tub	Improper detergent Spilled rinse-aid	Use only the special dishwasher detergent to avoid suds. If this occurs, open the dishwasher and let suds evaporate. Add 1 gallon of cold water to the tub. Close and latch the dishwasher, then Start the "soak" wash cycle to drain out the water. Repeat if necessary Always wipe up rinse-aid spills immediately
Stained tub interior	Detergent with colorant was used	Make sure that the detergent is the one without colourant.
White film on inside surface	Hard water minerals	To clean the interior, use a damp sponge with dishwasher detergent and wear rubber gloves. Never use any other cleaner than dishwasher detergent for the risk of foaming or suds.
There are rust stains on cutlery	The affected items are not corrosion resistant A program was not run after dishwasher salt was added. Traces of salt have gotten into wash cycle The lid of softer is loose	Always run the Quick wash program without any crockery in the dishwasher and without selecting the Turbo function (if present), after adding dishwasher salt Check the lip. Ensure the fix is fine.

White film on inside surface	Hard water minerals	To clean the interior, use a damp sponge with dishwasher detergent and wear rubber gloves. Never use any other cleaner than dishwasher detergent for the risk of foaming or suds.
There are rust stains on cutlery	The affected items are not corrosion resistant A program was not run after dishwasher salt was added. Traces of salt have gotten into wash cycle The lid of softer is loose	Always run the Quick wash program without any crockery in the dishwasher and without selecting the Turbo function (if present), after adding dishwasher salt Check the lip. Ensure the fix is fine.
Knocking noise in the wash cabinet	The spray arm is knocking against an item in a basket	Interrupt the program and rearrange the items which are obstructing the spray arm.
Rattling noise in the wash cabinet	Item of crockery are insecure in the wash cabinet	Interrupt the program and rearrange the items of the crockery.
Knocking noise in the water pipes	This may be caused by on-site installation or the cross-section of the piping	This has no influence on dishwasher function. If in doubt, contact a qualified plumber.
The dishes are not clean	The dishes were not loaded correctly The program was not powerful enough Not enough detergent was dispensed Item is blocking the path of spray arms The filter combination in the base of wash cabinet is not clean - causing spray arm jets to get blocked	See notes in "Loading the dishwasher baskets." Select a more intensive program. See "Wash cycle table." Use more detergent or change your detergent. Rearrange the items so that the spray can rotate freely. Clean and/or fit the filter combination correctly. Clean the spray arm jets.
Cloudiness on glassware	Combination of soft water and too much detergent	Use less detergent if you have soft water and select a shortest cycle to wash the glassware and to get them clean.
Black or gray marks on dishes	Aluminum utensils have rubbed against dishes	Use a mild abrasive cleaner to eliminate those marks.
Detergent left in dispenser cups	Dishes block detergent cups	Reloading the dishes properly.

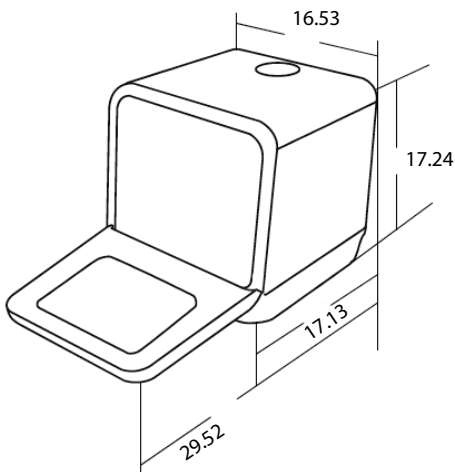
ERROR CODES

When some malfunctions come on, the appliance will display error codes to warn you:

SIGNAL	MEANINGS	POSSIBLE CAUSES
The Baby Care light flickers.	Longer inlet time.	A flow meter, drain valve, or pump failure, it should be repaired by a qualified worker.
The Normal and Baby Care flickers.	Not reaching required temperature.	Heating tube or thermostat malfunction, should be repaired by a qualified worker.
The Heavy light flickers.	Overflow.	Some element or dishwasher leaks.
The Rinse wash and Baby Care light flickers.	Touch button adhesion.	Water or other material in the key area causes it or it should be repaired by a qualified worker.
The Rinse wash, Heavy & Baby Care light flickers.	Communication malfunction.	It should be repaired by a qualified worker.
The Rinse wash & Normal light flickers.	Steam generator malfunction.	It should be repaired by a qualified worker.

ERROR CODES

When some malfunctions come on, the appliance will display error codes to warn you:



Height	17.24
Width	16.53
Depth	17.13
Voltage connected load	See rating label
Water pressure	0.04-1.0MPa
Hot water connection	Should be 120-degrees F
Power supply	See rating label
Capacity	2 place setting

RETURNS & WARRANTY

SHOULD YOUR UNIT NOT WORK OR IF DAMAGED WHEN YOU FIRST TAKE IT OUT OF THE BOX, PLEASE RETURN IT TO THE PLACE OF PURCHASE IMMEDIATELY.

Portable Countertop Dishwasher / FDW05ASWWHC

Should you have any questions, please contact us via email or at the customer service number listed below between the hours of 8:00 AM and 5:00 PM, Monday through Friday, Central Standard Time.

Distributed by:

Nostalgia Products LLC
1471 Partnership Dr.
Green Bay, WI 54304-5685
Customer Service
Phone: 844-918-0509
Email: CustomerService@emllc-USA.com

One-Year Limited Warranty

This warranty applies to products purchased and used in the U.S. and Canada. This is the only expressed warranty for this product and is in lieu of any other warranty or condition.

This product is warranted to be free from defects in material and workmanship for a period of one (1) year from the date of original purchase. This warranty is valid for the original retail purchaser or gift recipient from the date of initial retail purchase and is not transferable.

Keep your original sales receipt as proof of purchase is required to make a warranty claim.

IMPORTANT: This warranty does not cover damages resulting from use not in conformity with the printed directions, accident, misuse or abuse, alteration, the affixing of any attachments not provided with the product, loss of parts, or subjecting the appliance to any but the specified voltage. (Read directions carefully.) This warranty is void if the product is used for other than single-family household use or subjected to any voltage and waveform other than as specified on the rating label (e.g., 120V ~ 60 Hz).

Englewood Marketing LLC excludes all claims for special, incidental, and consequential damages caused by breach of express or implied warranty. All liability is limited to the amount of the purchase price. Every implied warranty, including any statutory warranty or condition of merchantability or fitness for a particular purpose, is disclaimed except to the extent prohibited by law, in which case such warranty or condition is limited to the duration of this written warranty. This warranty gives you specific legal rights. You may have other legal rights that vary depending on where you live. Some states or provinces do not allow limitations on implied warranties or special, incidental, or consequential damages, so the foregoing limitations may not apply to you.

To make a warranty claim or if service is required, please call our CUSTOMER SERVICE NUMBER.

For faster service, please have the model, type, and series numbers ready for the operator to assist you.

Customer Service Number
Englewood Marketing LLC
In the US 844-918-0509
Email: CustomerService@emllc-USA.com

This warranty does not apply to re-manufactured merchandise.

Please read the operating instructions carefully. Failure to comply with the operating instructions will void this warranty.

CONTENIDO

SEGURIDAD	21
PROTECCIONES IMPORTANTES.	22
PROTECCIONES IMPORTANTES ADICIONALES	22
INTRODUCCIÓN	24
CONEXIÓN A TIERRA DE LA UNIDAD	25
PIEZAS Y ENSAMBLAJE.	26
INSTRUCCIONES DE OPERACIÓN	27
CARGA DEL LAVAVAJILLAS	27
USO DE DETERGENTE.	30
LIMPIEZA Y MANTENIMIENTO	32
INSTRUCCIONES DE INSTALACIÓN	34
CONSEJOS PARA LA RESOLUCIÓN DE PROBLEMAS	36
DEVOLUCIONES Y GARANTÍA.	39

SEGURIDAD

Su seguridad y la seguridad de los demás es muy importante.

Hemos incluido varios mensajes importantes de seguridad en este manual y en su aparato. Siempre lea y cumpla con todos los mensajes de seguridad.



Éste es un símbolo de alerta de seguridad.

Este símbolo le avisa de los peligros potenciales que pueden provocar serias lesiones a usted y a otros.

Todos los mensajes de seguridad tendrán el símbolo de alerta de seguridad.

Todos los mensajes de seguridad le dirán cuál es el peligro potencial, cómo reducir la probabilidad de daños y qué puede suceder si no se siguen las instrucciones.

Especificaciones del electrodoméstico:

120 Volts, 60 Hertz
Rated Output: 780 Watts



ESTE PRODUCTO ES PARA USO EN SALIDA 120V AC SOLAMENTE.

SALVAGUARDIAS IMPORTANTES

Una persona que no haya leído y comprendido todas las instrucciones de uso y seguridad no está calificada para utilizar este aparato. Todos los usuarios de este dispositivo deben leer y comprender este Manual de instrucciones antes de utilizar o limpiar este aparato.

Cuando utiliza aparatos eléctricos, siempre se deben seguir algunas medidas básicas de seguridad que incluyen las siguientes:

1. **Lea todas las instrucciones antes de utilizar este aparato.**
2. NO TOQUE las superficies calientes. Use agarraderas o mangos.
3. Este aparato NO ES UN JUGUETE.
4. Los niños pequeños sin supervisión y las personas con limitación cognitiva nunca deben utilizar este aparato.
5. Una supervisión estricta se requiere cuando un aparato se use por niños o cerca de ellos.
6. Como medida de protección contra el riesgo de descarga eléctrica, no sumerja el cable, los enchufes ni ninguna otra parte de la unidad en agua ni en otros líquidos.
7. Desconéctelo del tomacorriente cuando no esté en uso, antes de retirar piezas y antes de la limpieza. Déjelo enfriar antes de colocar o retirar cualquiera de las piezas, y antes de la limpieza.
8. NO utilice ningún aparato con el cable o el enchufe dañados, ni si el aparato tiene desperfectos o SI se ha dañado de cualquier manera. Devolver el aparato al taller de reparación más cercano para su reparación o ajuste.
9. El fabricante no recomienda el uso de otros aditamentos o accesorios diferentes a los proporcionados por el fabricante. El uso de accesorios puede provocar lesiones.
10. NO utilice el aparato para otros usos que no haya sido diseñado.
11. NO utilice el aparato al aire libre. SOLO PARA USO DOMÉSTICO.
12. NO lo coloque sobre o cerca de una hornilla eléctrica o gas caliente, o en un horno caliente.
13. NO permita que el cable cuelgue sobre el borde de la mesa o del mostrador, ni que toque superficies calientes.
14. NUNCA deje la unidad desatendida mientras esté en uso o cuando esté enchufada a una toma de corriente.
15. Debe ser extremadamente cuidadoso al mover cualquier aparato con comida caliente.
16. Siempre conecte primero el enchufe al aparato, luego enchufe el cable a la toma de corriente. Para desconectar, mueva todos los controles a "apagar" y luego retire el enchufe del tomacorriente.

ESPAÑOL

SALVAGUARDIAS IMPORTANTES ADICIONALES

Precauciones de seguridad operativa

1. No abuse, se siente ni se pare en la puerta o en el estante de platos del lavavajillas.
2. No toque el elemento calefactor durante o inmediatamente después del uso. (Esta instrucción solo es aplicable a máquinas con un elemento de calentamiento visual).

3. No opere su lavavajillas a menos que todos los paneles de la carcasa estén colocados correctamente. Abra la puerta con mucho cuidado si el lavavajillas está funcionando, existe el riesgo de que salga agua a chorros. No coloque objetos pesados apoyados en la puerta cuando está abierta. El aparato podría inclinarse hacia adelante.
4. Al cargar artículos para lavar:
 - Ubique los objetos afilados para que no puedan dañar el sello de la puerta.
 - Advertencia: Los cuchillos y otros utensilios con puntas afiladas deben cargarse en la canasta con las puntas hacia abajo o colocarse en posición horizontal.
5. Cuando use su lavavajillas, debe evitar que los artículos de plástico entren en contacto con el elemento calefactor. (Esta instrucción solo es aplicable a máquinas con un elemento de calentamiento visual).
6. Verifique que el dispensador de detergente esté vacío después de completar el ciclo de lavado.
7. No lave artículos de plástico a menos que estén marcados como aptos para lavavajillas o equivalentes. Para artículos de plástico no marcados, verifique las recomendaciones del fabricante.
8. Utilice solo detergentes y aditivos de enjuague diseñados para lavavajillas automáticos.
9. Nunca use jabón, detergente para la ropa o detergente para lavar las manos en su lavavajillas. Mantenga estos productos fuera del alcance de los niños.
10. Mantenga a los niños alejados del detergente y del abrillantador, mantenga a los niños alejados de la puerta abierta del lavavajillas, ya que podría quedar algo de detergente en el interior.
11. Los detergentes para lavavajillas son fuertemente alcalinos, pueden ser extremadamente peligrosos si se ingieren. Evite el contacto con la piel y los ojos y mantenga alejados a los niños del lavavajillas cuando la puerta está abierta. La puerta no debe dejarse en la posición abierta ya que esto podría presentar un peligro de tropiezo.
12. Retire la puerta del compartimiento de lavado cuando retire un lavavajillas viejo del servicio o lo deseche.
13. Deseche los materiales de embalaje adecuadamente. Use el lavavajillas solo para su función prevista. Durante la instalación, la fuente de alimentación no debe doblarse o aplanarse de manera excesiva o peligrosa. No manipule los controles.
14. El electrodoméstico se debe conectar a la red de suministro de agua utilizando nuevos juegos de mangueras y los juegos de mangueras viejos no se deben reutilizar.
15. El número máximo de cubiertos para lavar es 6. La presión máxima admisible de entrada de agua es de 1 Mpa. La presión mínima admisible de entrada de agua es 0,04 Mpa.

Instrucciones para el cable eléctrico y el enchufe

1. **RIESGO DE DESCARGA ELÉCTRICA:** El incumplimiento de estas instrucciones puede resultar en la muerte, incendio o descarga eléctrica.
 - Conecte en tomacorrientes de 3 patas conectados a tierra.
 - NO retire la patilla de conexión de tierra.
 - NO utilice un adaptador.

- NO utilice un cable de extensión.
- 2. La unidad DEBE conectarse a tierra. En caso de cortocircuito, la conexión a tierra reduce el riesgo de descarga eléctrica mediante la provisión de un cable de escape para la corriente eléctrica. Esta unidad está provista de un cable que tiene un cable a tierra con un enchufe a tierra. El conector se debe enchufar en un tomacorriente instalado apropiadamente y conectado a tierra.
- 3. ADVERTENCIA: El uso incorrecto de la toma de tierra puede resultar en riesgo de sufrir una descarga eléctrica. **Si el enchufe no encaja completamente en el tomacorriente, contacte con un electricista calificado. No trate de modificar el enchufe de ninguna manera.**
- 4. Se provee un cable de alimentación corto para reducir el riesgo resultante de enredarse o tropezar con un cable largo.
- 5. El fabricante no recomienda el uso de esta máquina en países que no admiten 120V CA incluso si se está usando un adaptador, transformador o convertidor de voltaje.

¡GUARDE ESTAS INSTRUCCIONES!

INTRODUCCIÓN

¡Gracias por comprar el LAVAVAJILLAS PARA ENCIMERA PORTÁTIL de Farberware! Una solución perfecta para ahorrar espacio para espacios pequeños, casas rodantes, barcos o cualquier lugar donde necesite una gran limpieza en un tamaño compacto. Este lavavajillas portátil potente y fácil de usar ofrece 3 programas de lavado (Enjuague/Intenso/Normal) y no necesita conexiones externas, ya que tiene un tanque de agua incorporado. Es fácil de instalar, tiene controles digitales simples de un toque y se sienta fácilmente sobre su mesada o sobre una mesa resistente.

Las características incluyen:

- 3 programas de lavado: Intenso/Normal/Enjuague
- Función de cuidado del bebé
- Tanque de agua incorporado (solo se necesitan 5 litros de agua)
- Capacidad estándar para 2 cubiertos
- Retraso de encendido de 24 horas
- Nivel de ruido A+ 58 dBA
- Control táctil digital

ESPAÑOL

CONEXIÓN A TIERRA DE LA UNIDAD

Este aparato debe conectarse a tierra. En caso de mal funcionamiento o avería, la conexión a tierra reducirá el riesgo de descarga eléctrica al proporcionar una ruta de menor resistencia de la corriente eléctrica. Este aparato está equipado con un cable con un conductor de conexión a tierra del equipo y un enchufe a tierra. El enchufe debe enchufarse a un tomacorriente apropiado que esté instalado y conectado a tierra de acuerdo con todos los códigos y ordenanzas locales.

La conexión incorrecta del conductor de conexión a tierra del equipo puede provocar un riesgo de descarga eléctrica. Consulte con un electricista o representante de servicio calificado si tiene dudas sobre si el aparato está correctamente conectado a tierra. No modifique el enchufe provisto con el aparato; si no es apto para la salida. Haga que un electricista calificado instale un tomacorriente adecuado.



ADVERTENCIA: El uso incorrecto de la toma de tierra puede resultar en riesgo de sufrir una descarga eléctrica.

POR SU SEGURIDAD PERSONAL

NO USE UN CABLE DE EXTENSIÓN NI UN ENCHUFE ADAPTADOR CON ESTE APARATO. BAJO NINGUNA CIRCUNSTANCIA, NO CORTE OQuite LA CONEXIÓN A TIERRA DEL CABLE DE ALIMENTACIÓN.

REQUISITOS ELÉCTRICOS

Mire la etiqueta de clasificación para conocer la tensión nominal y conecte el lavavajillas a la fuente de alimentación adecuada. Use el fusible requerido de 10 amperios, se recomienda usar un fusible de retardo de tiempo o un disyuntor y proporcione un circuito separado que sirva solo a este aparato.

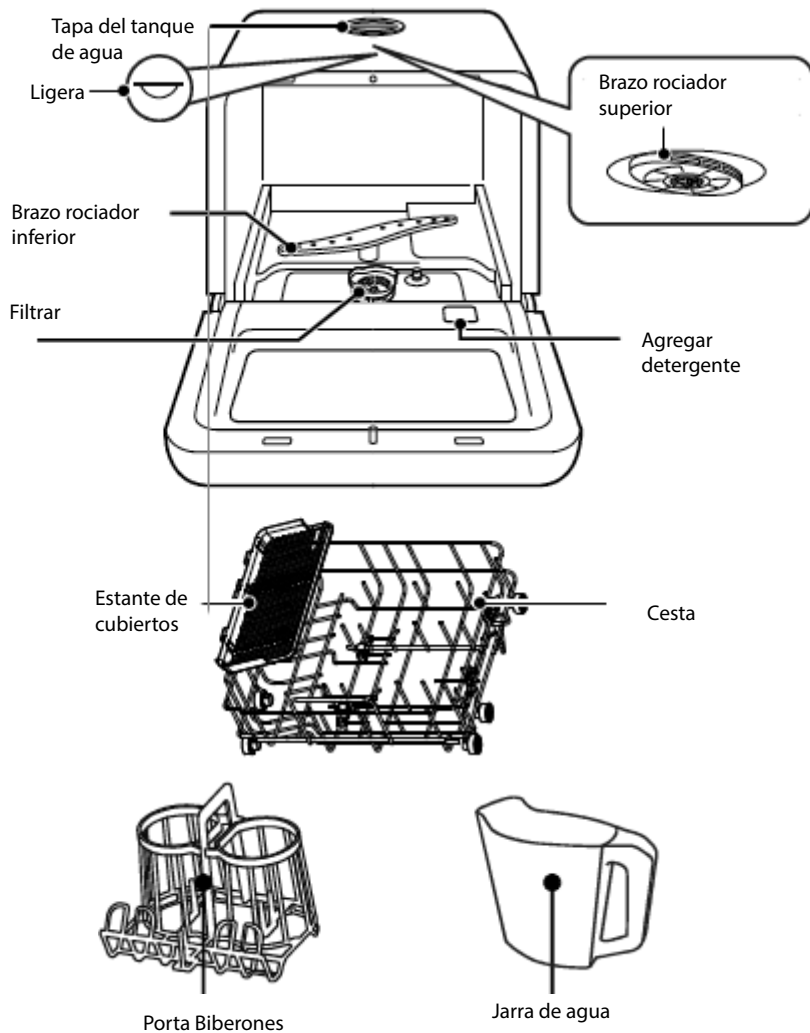
CONEXIÓN ELÉCTRICA

Asegúrese de que la tensión y la frecuencia de la potencia correspondan a las de la placa de características. Solo inserte el enchufe en una toma de corriente que esté correctamente conectada a tierra. Si el tomacorriente al que se debe conectar el electrodoméstico no es adecuado para el enchufe, reemplace el tomacorriente, en lugar de usar adaptadores o similares, ya que podrían causar sobrecalentamiento y quemaduras.

PIEZAS Y ENSAMBLAJE

Su LAVAVAJILLAS PARA ENCIMERA PORTÁTIL está completamente ensamblado. Antes de usarlo, retire todos los materiales de embalaje del interior del lavavajillas. Revise el lavavajillas en busca de daños, como puertas mal alineadas o dobladas, sellos de las puertas y superficies de sellado dañados, bisagras y pestillos rotos o flojos y abolladuras dentro del lavavajillas o en la puerta. Si hay algún daño, NO haga funcionar el lavavajillas. Devuelva los elementos dañados a la tienda donde lo compró.

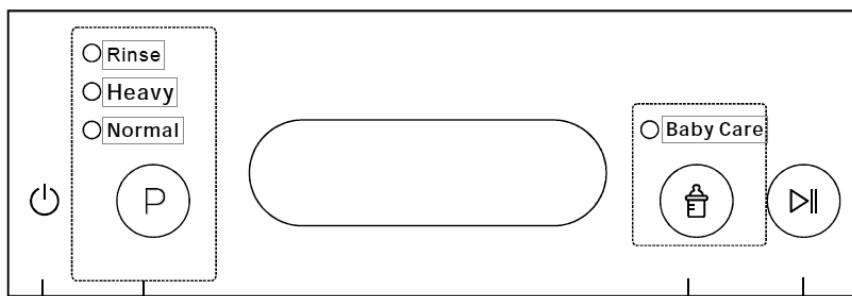
DADTC



ESPAÑOL

INSTRUCCIONES DE OPERACIÓN

PANEL DE CONTROL



PROGRAMA	PANTALLA
Encendido	Presione este botón para encender su lavavajillas.
Programa	Presione los botones para seleccionar el programa de lavado apropiado. Enjuague Un lavado más corto para enjuagar los platos. Pesada Para cargas muy sucias, como ollas, platos, vasos y sartenes sucias. Normal Para cargas normales, como ollas, platos, vasos y sartenes ligeramente sucios.
Cuidado del bebé	Libera vapor a alta temperatura en el momento durante los primeros 5 minutos para suavizar las manchas secas en los platos y facilita el lavado adecuado de biberones.
Iniciar pausa	Presione este botón para iniciar o pausar el lavavajillas.

CARGA DEL LAVAVAJILLAS

RECOMENDACIÓN

- Considere comprar utensilios identificados como aptos para lavavajillas
- Use un detergente suave que se describe como "tipo de platos". Si es necesario, busque más información de los fabricantes de detergentes.
- Para elementos particulares, seleccione un programa con una temperatura tan baja
- Para evitar daños, no saque el vidrio y los cubiertos del lavavajillas inmediatamente después de que finalice el programa.

PARA LAVAR EN LA LAVAVAJILLAS SIGUIENTE CUBIERTOS / PLATOS

No son adecuados

- Cubiertos con mangos de madera, porcelana o de nácar.

- Artículos de plástico que no son resistentes al calor. Cubiertos antiguos con partes pegadas que no son resistentes a la temperatura.
- Cubiertos o platos adheridos Artículos de peltre o cobre
- Vasos de cristal
- Artículos de acero sujetos a la oxidación Bandejas de madera.
- Artículos hechos de fibras sintéticas.

Son limitadamente adecuados

- Algunos tipos de vasos pueden volverse opacos después de muchos lavados
- Las piezas de plata y aluminio tienden a decolorarse durante el lavado.
- Los patrones esmaltados pueden desvanecerse si se lavan a máquina con frecuencia

ATENCIÓN ANTES O DESPUÉS DE CARGAR LAS CESTA DE LA LAVAVAJILLAS

Para obtener el mejor rendimiento del lavavajillas, siga estas pautas de carga. Las características y el aspecto de las cestas y las cestas de cubiertos pueden variar según el modelo.

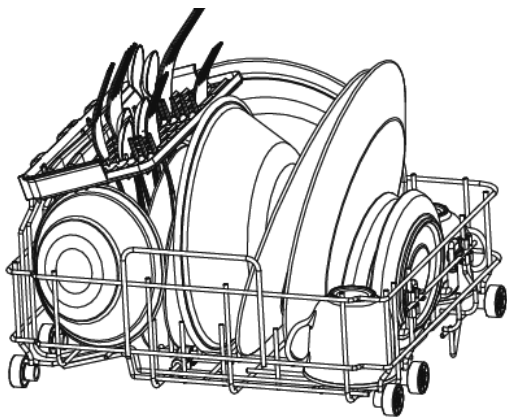
- Raspe cualquier cantidad grande de comida sobrante. Suavizar los restos de comida quemada en sartenes No es necesario enjuagar los platos con agua corriente.
- Coloque los objetos en el lavavajillas de la siguiente manera:
 1. Los elementos como tazas, vasos, ollas / sartenes, etc. están boca abajo.
 2. Los elementos curvos, o aquellos con rebajes, deben cargarse de manera inclinada para que el agua pueda escurrirse.
 3. Todos los utensilios están apilados de forma segura y no pueden volcarse.
 4. Todos los utensilios se colocan de manera que los brazos rociadores puedan girar libremente durante el lavado.

NOTA: Los artículos muy pequeños no deben lavarse en el lavavajillas ya que podrían caerse de la canasta.

- Cargue elementos huecos como tazas, vasos, sartenes, etc. Con la abertura hacia abajo para que el agua no se acumule en el recipiente o en una base profunda.
- Los platos y artículos de cubertería no deben estar uno dentro del otro, ni taparse unos con otros. Para evitar dañar las gafas, no deben tocarse.
- Cargue los artículos grandes que son más difíciles de limpiar en la canasta.
- ¡Los cuchillos de hoja larga almacenados en posición vertical son un peligro potencial!
- Los cubiertos largos o afilados, como cuchillos de trinchar, deben colocarse horizontalmente en la canasta.
- No sobrecargue el lavavajillas. Esto es importante para obtener buenos resultados y para un consumo de energía razonable.

CARGA DE LA CANASTA

Coloque los platos y utensilios de cocina para que no se muevan con el rocío de agua.



2 - Tazas



1 - Tazones para servir



2 - Gafas



2 - Platos



2 - Tazones de postre



1 - Plato Oval



2 - Platos de comida



2 - Platos de ensalada

Diseño de carga recomendado con un tazón y dos configuraciones de vajilla personal.



2 Tenedores de cena



2 Cuchillos



2 Cucharaditas



1 Tenedor para servir



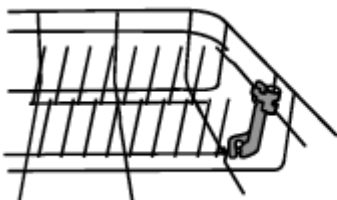
2 Cucharas de servir

Abatiendo los estantes

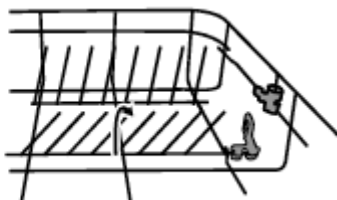
Las espigas se utilizan para sujetar platos y una bandeja. Se pueden bajar para hacer más espacio para artículos grandes.

Plegar hacia abajo para cargar vajillas de gran tamaño o cesta de frutas o biberón.

Elevar hacia arriba



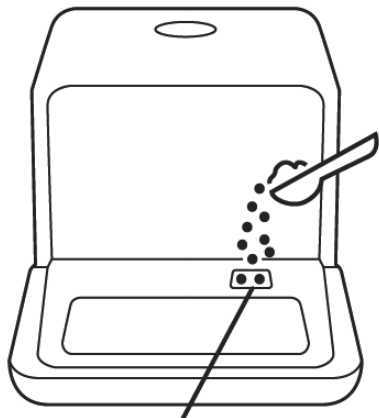
Doblar hacia abajo



USO DE DETERGENTE

Utilice únicamente detergentes hechos específicamente para lavavajillas. NO utilice ayudas de enjuague ¡El detergente para lavavajillas es corrosivo! Mantener alejado de los niños. Use programas largos al usar tabletas de detergente. Es posible que los programas cortos no permitan que las tabletas se disuelvan completamente.

- El uso del programa de lavado Normal en combinación con detergentes concentrados de bajo contenido alcalino con enzimas naturales reduce la contaminación y es bueno para sus platos.
- El detergente debe rellenarse antes del inicio de cada ciclo de lavado. Su lavavajillas usa menos detergente que los lavavajillas tradicionales. En general, solo se necesita una cucharada de detergente para una carga de lavado normal. Siempre agregue el detergente justo antes de encender el lavavajillas, de lo contrario, podría humedecerse y no se disolverá correctamente.



Agregue el detergente al dispensador de detergente.

ESPAÑOL

COMENZAR UN PROGRAMA DE LAVADO

TABLA DE CICLOS DE LAVADO

PROGRAM	DESCRIPTION OF CYCLE	DETERGENT PRE/MAIN	RUNNING TIME (MIN.)	ENERGY (KWH)	WATER (Gal.)
Enjuague	Enjuague (96) Enjuague	Ninguna	12	0.15	1.3
Pesada	Prelavado (143) Enjuague Enjuague (158) Secado	6 g	160	0.5	1.3

Normal	Prelavado (131) Enjuague Enjuague (161) Secado	6 g	155	0.43	1.3
--------	---	-----	-----	------	-----

ENCENDIDO DEL APARATO

Inicio de un ciclo de lavado:

1. Saque la canasta (consulte la sección titulada "Carga del lavavajillas");
2. Vierta el detergente (consulte la sección titulada "Detergente y abrillantador");
3. Inserte el enchufe en el tomacorriente. La fuente de alimentación es 120 V/ 60 Hz.
4. Asegúrese de que el suministro de agua esté abierto a presión máxima o que se agregue agua al tanque.
5. Cierre la puerta y presione el botón de encendido para encender la fuente de alimentación;
6. Presione el botón de programa para seleccionar el programa de lavado que necesita. Si se selecciona un programa, se encenderá la luz de respuesta.
7. Luego presione el botón Inicio / Cancelar, el lavavajillas comienza a comenzar.

CAMBIO DEL PROGRAMA

Un ciclo de lavado solo se puede cambiar si ha estado funcionando por un corto periodo de tiempo, de lo contrario, el detergente puede haber sido liberado y el lavavajillas puede haber drenado el agua de lavado. Si este es el caso, el lavavajillas debe reiniciarse y el dispensador de detergente debe rellenarse. Para reiniciar el lavavajillas, siga las instrucciones a continuación:

1. Apriete el botón de iniciar/pausa para pausar el lavado.
2. Apriete Inicio/Pausa durante más de 3 segundos, la máquina se colocará en estado de espera.
3. Presione un nuevo botón de programa para seleccionar el programa deseado.
4. Presione el botón de Inicio/Pausa y el lavavajillas se iniciará.

NOTA: Si abre la puerta durante el lavado, la máquina se detendrá. Cuando usted presione el botón Inicio / Pausa, la máquina seguirá funcionando después de 10 segundos.

¿OLVIDÓ AGREGAR UN PLATO?

Se puede agregar un plato olvidado en cualquier momento antes de que se abra la taza de detergente.

1. Abra la puerta un poco para detener el lavado.
2. Después de que los brazos rociadores dejen de funcionar, puede abrir la puerta completamente.
3. Agregue los platos olvidados.
4. Cierre la puerta.
5. Presione el botón inicio/cancelar.

AL FINAL DEL CICLO DE LAVADO

Cuando finaliza el ciclo de trabajo, el timbre del lavavajillas sonará 8 segundos y luego se detendrá. Apague el aparato con el botón de poder, cierre el suministro de agua y abra la puerta del lavavajillas. Espere unos minutos antes de descargar el lavavajillas para evitar manipular los platos y utensilios mientras aún estén calientes y sean más susceptibles a la rotura. También se secarán mejor. Como el aparato está en espera, se apagará automáticamente después de 30 minutos sin ninguna operación.

Apague el lavavajillas:

Todas las luces de fase están apagadas. Solo en este caso el programa ha finalizado.

1. Apague el lavavajillas presionando el botón poder.
2. ¡Cierre el grifo!

Abra la puerta con cuidado:

Los platos calientes son sensibles a los golpes. Por lo tanto, debe dejarse enfriar los platos unos 15 minutos antes de retirarlos del aparato.

Abra la puerta del lavavajillas, déjela entreabierta y espere unos minutos antes de retirar los platos. De esta manera estarán más fríos y se mejorará el secado.

Descarga del lavavajillas:

Es normal que el lavavajillas esté mojado por dentro.

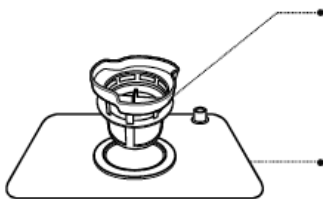
OPERACIÓN DE DRENAJE FORZADO:

En el modo de espera, puede presionar y mantener presionado el botón "VIDRIO" y el botón de "REFRIGERACIÓN DE AIRE" durante 3 segundos simultáneamente para drenar el tanque de agua.

LIMPIEZA Y MANTENIMIENTO

SISTEMA DE FILTRADO

El filtro evita que remanentes más grandes de alimentos u otros objetos ingresen a la bomba. Para obtener el mejor rendimiento y resultados, el conjunto del filtro debe limpiarse regularmente. Por esta razón, es una buena idea arrancar las partículas de alimentos más grandes que quedan atrapadas en el filtro después de cada ciclo de lavado, enjuagando el filtro y la taza con agua corriente. Para retirar el conjunto del filtro, tire del asa de la copa hacia arriba.



Filtro fino

Este filtro retiene residuos de tierra y alimentos en el área del sumidero y evita que se deposite en los platos durante el ciclo de lavado.

Filtro principal

Las partículas de comida y tierra atrapadas por este filtro se pulverizan con un chorro especial en el brazo rociador y se lavan para drenar.

Paso 1: Contra rote el conjunto del filtro, luego levántelo todo.



Paso 2: Levante el filtro fino del filtro principal.



Ensamble del filtro

- Inspeccione los filtros para ver si están bloqueados cada vez que se ha utilizado el lavavajillas.
- Desenroscando el filtro grueso, puede quitar el sistema de filtro. Retire los restos de comida y limpie los filtros con agua corriente.

CUIDADO DEL LAVAVAJILLAS

El panel de control se limpia con un paño ligeramente humedecido y se debe secar bien. El exterior utiliza un buen aparato de cera de lustre. Nunca use objetos afilados, estropajos o limpiadores fuertes en ninguna parte del lavavajillas.

Limpieza de la puerta

Para limpiar el borde alrededor de la puerta, solo debe usar un paño suave y húmedo. Para evitar la penetración de agua en la cerradura de la puerta y los componentes eléctricos, no use un limpiador en aerosol de ningún tipo.



ADVERTENCIA: Nunca use un limpiador en aerosol para limpiar el panel de la puerta, ya que podría dañar la cerradura de la puerta y los componentes eléctricos. No se deben usar agentes abrasivos o una toalla de papel debido al riesgo de rayar o dejar manchas en la superficie de acero inoxidable.

Proteger contra la congelación

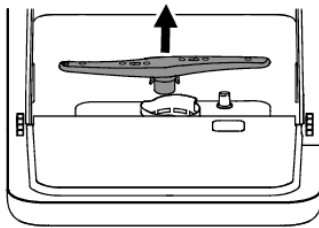
Tome medidas de protección contra heladas en el lavavajillas en invierno. Cada vez después de los ciclos de lavado, opere de la siguiente manera:

1. Corte la energía eléctrica al lavavajillas.
2. Cierre el suministro de agua y desconecte la tubería de entrada de agua de la válvula de agua.
3. Drene el agua del tubo de entrada y la válvula de agua. (Use una bandeja para atrapar el agua)
4. Vuelva a conectar el tubo de entrada de agua a la válvula de agua.
5. Retire el filtro en la parte inferior de la bañera y use una esponja para usar agua en el sumidero.

Limpieza de los brazos rociadores

Los brazos rociadores se pueden quitar fácilmente para una limpieza periódica de las boquillas para evitar posibles obstrucciones. Lávelos bajo el chorro de agua y colóquelos con cuidado en sus asientos, verificando que su movimiento giratorio no se vea impedido de ninguna manera.

Sostenga la mitad del brazo rociador, tire hacia arriba y retírelo. Lave los brazos



bajo un chorro de agua corriente y vuelva a colocarlos cuidadosamente en su asiento. Después de volver a montar, compruebe que los brazos rociadores giran libremente. De lo contrario, compruebe que se han instalado correctamente.

Cómo mantener su lavavajillas en forma

- **Después de cada lavado:** Después de cada lavado, cierre el suministro de agua al electrodoméstico y deje la puerta ligeramente abierta para que la humedad y los olores no queden atrapados dentro.
- **Retire el enchufe:** Antes de limpiar o realizar el mantenimiento, quite siempre el enchufe del tomacorriente.
- **No use solventes ni limpieza abrasiva:** Para limpiar el exterior y las piezas de goma del lavavajillas, no utilice disolventes ni productos de limpieza abrasivos. Solo use un paño con agua tibia y jabón. Para eliminar manchas o manchas de la superficie del interior, use un paño humedecido con agua con un poco de vinagre, o un producto de limpieza hecho específicamente para lavavajillas.
- **Cuando no se necesita por mucho tiempo:** Le recomendamos que ejecute un ciclo de lavado con el lavavajillas vacío y luego retire el enchufe del tomacorriente, cierre el suministro de agua y deje la puerta del aparato ligeramente abierta. Esto ayudará a que los sellos de las puertas duren más tiempo y se evitará la formación de olores en el aparato.
- **Mover el aparato:** Si debe mover el aparato, intente mantenerlo en posición vertical. Si es necesario, se puede colocar boca arriba.
- **Sellos:** Uno de los factores que hacen que se formen olores en el lavavajillas es la comida que queda atrapada en los sellos. La limpieza periódica con una esponja húmeda evitará que esto ocurra.

ESPAÑOL

INSTRUCCIONES DE INSTALACIÓN

PREPARACIÓN PARA LA INSTALACIÓN

A posición de instalación del lavavajillas debe estar cerca de las mangueras de entrada y drenaje existentes y del cable de alimentación.

Se debe elegir un lado del fregadero del gabinete para facilitar la conexión de las mangueras de drenaje del lavaplatos.



COLOCACIÓN DEL APARATO

Coloque el aparato en la ubicación deseada. La parte posterior debe descansar contra la pared detrás de ella y los lados, a lo largo de los gabinetes o paredes adyacentes. El lavavajillas está equipado con suministro de agua y mangueras de drenaje que se pueden colocar a la derecha o a la izquierda para facilitar la instalación adecuada.

SOBRE LA CONEXIÓN DE CORRIENTE

Por su seguridad personal: NO USE UN CABLE DE EXTENSIÓN NI UN ENCHUFE ADAPTADOR CON ESTE APARATO. EN NINGUNA CIRCUNSTANCIA NO CORTE NI RETIRE LA CONEXIÓN DEL CABLE DE ALIMENTACIÓN.

Requisitos eléctricos

Mire la etiqueta de clasificación para conocer la tensión nominal y conecte el lavavajillas a la fuente de alimentación adecuada. Use el fusible requerido de 10 amperios, se recomienda usar un fusible de retardo de tiempo o un disyuntor y proporcione un circuito separado que sirva solo a este aparato.

Conexión eléctrica



Asegúrese de que la tensión y la frecuencia de la potencia correspondan a las de la placa de características. Solo inserte el enchufe en una toma de corriente que esté correctamente conectada a tierra. Si el tomacorriente al que se debe conectar el electrodoméstico no es adecuado para el enchufe, reemplace el a tomacorriente, en lugar de usar adaptadores o similares, ya que podrían causar sobrecalentamiento y quemaduras.

ADVERTENCIA: VERIFIQUE LA CONEXIÓN A TIERRA ADECUADA ANTES DEL USO.

Instrucciones de conexión a tierra

Este aparato debe conectarse a tierra. En caso de mal funcionamiento o avería, la conexión a tierra reducirá el riesgo de descarga eléctrica al proporcionar una ruta de menor resistencia de la corriente eléctrica. Este aparato está equipado con un cable con un conductor de conexión a tierra del equipo y un enchufe a tierra. El enchufe debe enchufarse a un tomacorriente apropiado que esté instalado y conectado a tierra de acuerdo con todos los estándares y requisitos locales.



ADVERTENCIA: La conexión incorrecta del conductor de conexión a tierra del equipo puede provocar un riesgo de descarga eléctrica. Consulte con un electricista calificado o con un representante de servicio si tiene dudas sobre si el aparato está correctamente conectado a tierra. No modifique el enchufe provisto. Si el enchufe no se ajusta correctamente a la toma de corriente, solicite a un electricista calificado que instale una toma de corriente adecuada.

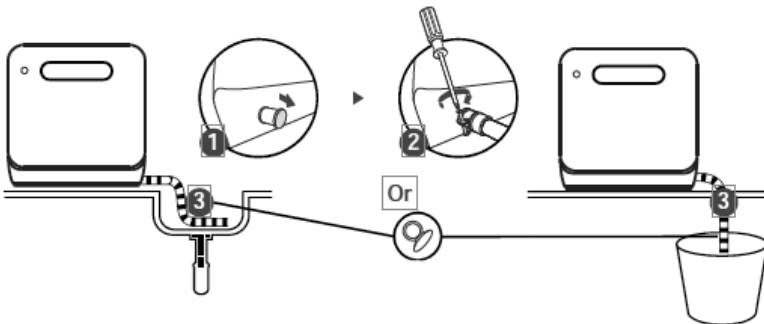
CONEXIÓN DE MANGUERAS DE DRENAJE

La conexión de la tubería de drenaje: Coloque el extremo del drenaje en un fregadero o cubeta.

Cómo drenar el exceso de agua de las mangueras: Si el fregadero está a más de 1000 mm por encima del piso, el exceso de agua en las mangueras no se puede drenar directamente al fregadero. Será necesario drenar el exceso de agua de las mangueras en una vasija o recipiente adecuado que se mantenga afuera y debajo del fregadero.

Salida de agua: Conecte la manguera de drenaje de agua. La manguera de drenaje debe estar correctamente instalada para evitar fugas de agua. Asegúrese de que la manguera de drenaje de agua no esté torcida o aplastada.

Manguera de extensión: Si necesita una extensión de la manguera de drenaje, asegúrese de usar una manguera de drenaje similar. No debe superar los 4 metros; de lo contrario, el efecto de limpieza del lavavajillas podría reducirse.



CONSEJOS PARA LA RESOLUCIÓN DE PROBLEMAS

ANTES DE LLAMAR AL SERVICIO

Revise los cuadros en las siguientes páginas puede evitar que solicite servicio.

PROBLEMA	CAUSAS POSIBLES	QUÉ HACER
El lavavajillas no enciende	Fusible quemado, o el disyuntor desconectado La fuente de alimentación no está encendida La puerta del lavavajillas no está cerrada	Reemplace el fusible o reinicie el disyuntor Retire cualquier otro electrodoméstico que comparta el mismo circuito con el lavavajillas Asegúrese de que la unidad esté encendida y la puerta esté cerrada de forma segura. Asegúrese de que el cable de alimentación esté enchufado correctamente. Cierre el lavavajillas, asegurándose de que la puerta se trabaje.
Agua no bombeada desde el lavavajillas.	Manguera de drenaje retorcida Filtro obstruido Fregadero de la cocina atascado.	Revise la manguera de drenaje Compruebe el filtro grueso Revise el fregadero de la cocina para asegurarse de que esté drenando bien. Si el problema es que el fregadero de la cocina no se drena, es posible que necesite un plomero en lugar de un técnico de servicio para lavavajillas
Jabonaduras en el tubo	Detergente inadecuado Abrillantador derramado	Use solo el detergente especial para lavavajillas para evitar la espuma. Si esto ocurre, abra el lavavajillas y deje que se evapore la espuma. Agregue 1 galón de agua fría al contenedor. Cierre y trabaje el lavavajillas, luego comience el ciclo de lavado "remojo" para drenar el agua. Repita si fuera necesario. Limpie siempre los derrames de abrillantador de inmediato.
Recipiente manchado en el interior	Se usó detergente con colorante	Asegúrese de que el detergente sea el único sin colorante.
Película blanca sobre superficie interior.	Minerales de agua dura.	Para limpiar el interior, use una esponja húmeda con detergente para lavavajillas y use guantes de goma. Nunca use ningún otro limpiador que no sea detergente para lavavajillas, de lo contrario, podría causar espuma o espuma.
Hay manchas de óxido en los cubiertos.	Los artículos afectados no son resistentes a la corrosión. No se ejecutó un programa después de agregar sal de lavavajillas. Se han introducido restos de sal en el ciclo de lavado La tapa del suavizante está suelta	Siempre ejecute el programa de lavado rápido sin vajilla en el lavavajillas y sin seleccionar la función Turbo (si está presente), después de agregar la sal del lavavajillas Compruebe la pestaña. Verifique que esté bien ajustada.

ESPAÑOL

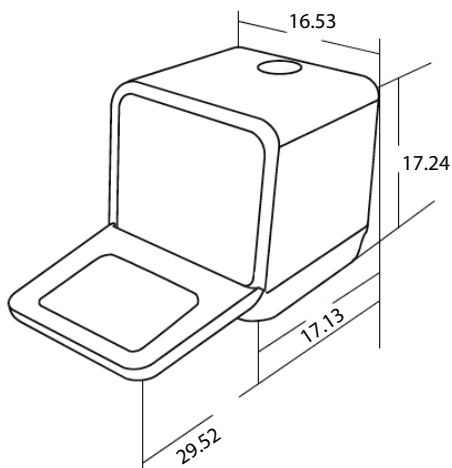
Golpes en el gabinete de lavado	El brazo rociador está golpeando contra un objeto en una cesta	Interrumpa el programa y reorganice los elementos que obstruyen el brazo rociador.
Golpes en el gabinete de lavado	La vajilla no está sujeta en el gabinete de lavado.	Interrumpa el programa y reorganice los elementos de vajilla.
Golpes en los tubos de agua	Esto puede ser causado por la instalación en el sitio o la sección transversal de la tubería	Esto no tiene influencia en la función del lavavajillas. En caso de duda, contacte a un plomero calificado.
Los platos no están limpios	<p>Los platos no estaban cargados correctamente.</p> <p>El programa no era lo suficientemente potente.</p> <p>No se suministró suficiente detergente</p> <p>El artículo está bloqueando el camino de los brazos rociadores</p> <p>La combinación de filtros en la base del gabinete de lavado no está limpia. - haciendo que los chorros del brazo rociador se bloqueen</p>	<p>Consulte las notas en "Carga de las canastas del lavavajillas".</p> <p>Seleccione un programa más intenso. Consulte "Tabla de ciclo de lavado".</p> <p>Use más detergente o cambie su detergente.</p> <p>Reorganice los elementos para que los brazos rociadores puedan girar libremente.</p> <p>Limpie y / o ajuste la combinación del filtro correctamente. Limpie los chorros del brazo rociador.</p>
Nubosidad en la cristalería	Combinación de agua blanda y demasiado detergente.	Use menos detergente si tiene agua blanda y seleccione un ciclo más corto para lavar la cristalería y limpiarla.
Marcas negras o grises en los platos.	Utensilios de aluminio han frotado platos.	Use un limpiador abrasivo suave para eliminar esas marcas.
Quedó detergente en los recipientes del dispensador	Platos bloqueando el dispensador de detergente	Recargar los platos correctamente.
Los platos no se están secando	<p>Carga inadecuada</p> <p>Demasiado poco abrillantador</p> <p>Los platos se retiran demasiado pronto</p> <p>Programa incorrecto seleccionado</p> <p>Usar cubiertos con un revestimiento de baja calidad.</p>	<p>Cargue el lavavajillas como se sugiere en las instrucciones.</p> <p>Aumente la cantidad de abrillantador / dispensador de recarga.</p> <p>No vacíe su lavavajillas inmediatamente después del lavado. Abra la puerta ligeramente para que el vapor pueda escapar. Antes de descargar el lavavajillas una vez que los platos apenas estén calientes al tacto. Vacíe primero la canasta inferior.</p> <p>Elija un programa con un tiempo de lavado prolongado.</p> <p>El drenaje de agua es más difícil con estos artículos. Los cubiertos o platos de este tipo no son adecuados para lavarse en el lavavajillas.</p>
Detergent left in dispenser cups	Dishes block detergent cups	Reloading the dishes properly.

CÓDIGOS DE ERROR

Cuando se producen algunos fallos de funcionamiento, el dispositivo mostrará códigos de error para advertirle:

Señal	Sentido	Posibles causas
La luz de Cuidado de Bebé parpadea.	Tiempo de entrada más largo.	Un medidor de flujo, válvula de drenaje o falla de la bomba debe ser reparado por un trabajador calificado.
La luz de Normal y de Cuidado de Bebé parpadea.	No alcanza la temperatura requerida.	El mal funcionamiento del tubo de calefacción o del termostato debe ser reparado por un trabajador calificado.
La luz de Intenso parpadea.	Sobreflujo.	Algún elemento o el lavavajillas está goteando.
La luz de Enjuague y de Cuidado de Bebé parpadea.	Toque el botón de adhesión.	El agua u otro material en el área clave lo causa o debe ser reparado por un trabajador calificado.
La luz de Enjuague, Intenso y de Cuidado de Bebé parpadea.	Mal funcionamiento de la comunicación.	Debe ser reparado por un trabajador calificado.
La luz de Enjuague y de Normal parpadea.	Mal funcionamiento del generador de vapor.	Debe ser reparado por un trabajador calificado.

INFORMACIÓN TÉCNICA



Altura	17.24
Anchura	16.53
Profundidad	17.13
Carga de voltaje conectado	Ver etiqueta de clasificación
Presion de agua	0.04-1.0MPa
Conexion de agua caliente	Debe ser de 120 grados F
Fuente de alimentación	Ver etiqueta de clasificación
de la receta	2 cubiertos

ESPAÑOL

DEVOLUCIONES Y GARANTÍA

SI LA UNIDAD NO FUNCIONA O ESTÁ DAÑADA AL SACARLA POR PRIMERA VEZ DE LA CAJA, DEVUÉLVALA AL LUGAR DE COMPRA INMEDIATAMENTE.

Lave-vaisselle portable pour le comptoir / FDW05ASWWHC

Si tiene preguntas, contacte con nosotros por correo electrónico o por el número telefónico de servicio al cliente que aparece a continuación en el horario de 8:00 AM a 5:00 PM, de lunes a viernes, Hora Estándar del Este.

Distribuida por:

Nostalgia Products LLC
1471 Partnership Dr.
Green Bay, WI 54304-5685
Servicio al cliente
Teléfono: 844-918-0509
Email: CustomerService@emllc-USA.com

GARANTÍA LIMITADA DE UN AÑO

Esta garantía se aplica a los productos comprados y utilizados en los EE. UU. y Canadá. .

Esta es la única garantía expresa para este producto y reemplaza cualquier otra garantía o condición.

Se garantiza que este producto está libre de defectos en materiales y mano de obra por un período de un (1) año a partir de la fecha de la compra original. Esta garantía es válida para el comprador minorista original o el destinatario del regalo a partir de la fecha de la compra minorista inicial y no es transferible. Conserve su recibo de compra original, ya que se requiere un comprobante de compra para realizar una reclamación de garantía.

IMPORTANTE: Esta garantía no cubre los daños resultantes del uso no conforme con las instrucciones impresas, accidente, mal uso o abuso, alternancia, la colocación de cualquier accesorio no provisto con el producto, pérdida de piezas o someter el aparato a cualquier voltaje que no sea el especificado. (Lea las instrucciones cuidadosamente.) Esta garantía quedará invalidada si el producto se usa para un uso que no sea doméstico o de una sola familia o si se lo somete a cualquier voltaje y forma de onda que no sean los especificados en la etiqueta de clasificación (por ejemplo, 120V ~ 60 Hz).

Englewood Marketing, LLC excluye todas las reclamaciones por daños especiales, incidentales y consecuentes causados por el incumplimiento de la garantía expresa o implícita. Toda responsabilidad se limita al importe del precio de compra. Toda garantía implícita, incluida cualquier garantía legal o condición de comerciabilidad o idoneidad para un propósito particular, se rechaza, excepto en la medida en que lo prohíba la ley, en cuyo caso dicha garantía o condición se limita a la duración de esta garantía por escrito. Esta garantía le otorga derechos legales específicos. Es posible que tenga otros derechos legales que varían según el lugar donde viva. Algunos estados no permiten la exclusión o la limitación de daños incidentales o consecuentes, por lo que la limitación anterior puede no aplicarse a usted.

Para hacer una reclamación de garantía o si se requiere servicio, llame a nuestro NÚMERO DE SERVICIO AL CLIENTE.

Para un servicio más rápido, tenga a mano los números de modelo, tipo y serie para que el operador lo ayude.

Número de servicio al cliente

de Englewood Marketing LLC

en los EE. UU. 844-918-0509
Email: CustomerService@emllc-USA.com

TABLE DES MATIÈRES

SÉCURITÉ	40
GARANTIES IMPORTANTES	41
GARANTIES ADDITIONNELLES IMPORTANTES	41
INTRODUCTION	43
MISE À LA TERRE DE L'UNITÉ	44
PIÈCES ET ASSEMBLAGE	45
INSTRUCTIONS DE FONCTIONNEMENTN	46
CHARGEMENT DU LAVE-VAISSELLES	46
UTILISATION DE DETERGENT	49
COMMENCER UN PROGRAMME DE LAVAGE	49
NETTOYAGE ET ENTRETIEN	51
INSTRUCTION D'INSTALLATION	53
CONSEILS DE DÉPANNAGE	55
RETOURS ET GARANTIE	58

SÉCURITÉ

Votre sécurité et celle des autres sont très importantes.

De nombreux messages importants de sécurité se trouvent dans le présent manuel et sur votre appareil. Toujours lire et respecter toutes les consignes de sécurité.



Ceci représente le symbole d'avertissement pour votre sécurité.

Ce symbole vous alerte des risques de danger potentiels pouvant causer de graves blessures à vous et d'autres personnes.

Ce symbole d'alerte à la sécurité suivra tous les avis relatifs à la sécurité.

Tous les messages de sécurité indiqueront le danger potentiel et la façon de réduire le risque de blessure et ce qui peut arriver si les consignes ne sont pas suivies.

Fiche technique de l'appareil:

120 Volts, 60 Hertz
Rated Output: 780 Watts



CE PRODUIT DOIT ÊTRE UTILISÉ UNIQUEMENT DANS UNE PRISE DE COURANT DE 120 V CA.

FRANÇAIS

PRÉCAUTIONS IMPORTANTES

Une personne qui n'a pas lu et compris toutes les instructions de fonctionnement et de sécurité n'est pas qualifiée pour faire fonctionner cet appareil. Tous les utilisateurs de cet appareil doivent lire et comprendre ce mode d'emploi avant d'utiliser ou de nettoyer cet appareil.

Lorsque l'on utilise un appareil électrique, il faut toujours respecter les précautions de base, y compris celles-ci :

1. **Lisez toutes les instructions avant d'utiliser cet appareil.**
2. NE PAS TOUCHER AUX surfaces chaudes. Utiliser les poignées ou les boutons.
3. Cet appareil n'est PAS UN JOUET.
4. Les jeunes enfants et les personnes déficientes cognitivement non supervisés ne devraient jamais faire fonctionner cet appareil.
5. Une surveillance étroite est nécessaire lorsque tout appareil est utilisé par ou à proximité des enfants.
6. Pour protéger contre les chocs électriques ne pas submerger le cordon, la fiche ni aucune partie de cet appareil dans l'eau ou d'autres liquides.
7. Toujours débrancher la prise lorsque l'appareil n'est pas en fonctionnement, avant de retirer les pièces et faire le nettoyage. Laisser refroidir avant de remettre ou de retirer les pièces et avant de faire le nettoyage.
8. NE PAS utiliser l'appareil ni avec un cordon ou une fiche électrique endommagés, ni suivant un dysfonctionnement ou une détérioration quelconque. Retournez l'appareil à l'atelier de réparation le plus proche pour examen, réparation ou réglage.
9. Le fabricant ne recommande pas l'utilisation d'accessoires autres que ceux fournis par le fabricant. L'utilisation d'accessoires peut causer des blessures.
10. NE PAS utiliser cet appareil pour toute autre utilisation pour laquelle il n'a pas été conçu.
11. NE PAS utiliser l'appareil à l'extérieur. POUR USAGE DOMESTIQUE SEULEMENT.
12. NE PAS placer sur ou près d'un brûleur à gaz ou électrique ou dans un four chauffé.
13. NE JAMAÏS laisser le cordon dépasser sur le côté d'une table ou d'un comptoir ou toucher des surfaces chaudes.
14. NE JAMAÏS laisser l'appareil sans surveillance pendant son utilisation ou lorsqu'il est branché sur une prise.
15. Une extrême prudence doit être utilisée pour déplacer un appareil contenant des liquides chauds.
16. Toujours brancher la prise de l'appareil tout d'abord, puis branchez dans la prise murale. Pour débrancher l'appareil, revenir sur le bouton « arrêt » (off), puis débrancher la fiche de la prise murale.

PRÉCAUTIONS IMPORTANTES ADDITIONNEL

Précautions de sécurité pour le fonctionnement

1. N'abusez pas, ne vous asseyez pas et ne montez pas sur la porte ou le porte-vaisselle du lave-vaisselle.
2. Ne touchez pas l'élément chauffant pendant ou immédiatement après son utilisation. (Cette instruction ne s'applique qu'aux machines avec un élément chauffant visuel.)

3. N'utilisez pas votre lave-vaisselle si tous les panneaux de l'enceinte ne sont pas correctement en place. Ouvrez la porte très soigneusement si le lave-vaisselle est en marche, il y a un risque que de l'eau gicle. Ne placez pas d'objets lourds sur le support ou sur la porte quand elle est ouverte. L'appareil pourrait basculer vers l'avant.
4. Lors du chargement des articles à laver:
 - Localisez les articles coupants afin qu'ils n'endommagent pas le scellant de la porte.
 - Mise en garde : les couteaux et autres ustensils munis de pointes tranchantes doivent être placés dans les paniers avec la pointe vers le bas ou placés dans une position horizontale.
5. Lorsque vous utilisez le lave-vaisselle, essayez que les articles en plastique n'entrent pas en contact avec l'élément chauffant. (Cette direction ne s'applique qu'aux machines ayant un élément chauffant visuel).
6. Vérifiez que le réservoir à savon soit vide lorsque le cycle de lavage est terminé.
7. Ne pas laver les articles en plastique lorsque ceux-ci sont indiqués qu'ils ne vont pas au lave-vaisselle ou l'équivalent. Pour les articles en plastique non marqués, vérifiez les recommandations du fabricant.
8. Utilisez uniquement du savon et liquid de rinçage conçus pour les lave-vaisselle automatiques.
9. Ne jamais utiliser du savon, du détergent à lessive ou pour vous laver les mains dans votre lave-vaisselle. Gardez ces produits hors de la portée des enfants.
10. Gardez les enfants hors de portée des agents de rinçage et du savon, voire lorsque la porte du lave-vaisselle est ouverte car il pourrait y avoir encore du détergent à l'intérieur.

Les savons pour lave-vaisselle sont très alcalins et peuvent être très nocifs si avalés. Évitez tout contact avec la peau et les yeux et gardez les enfants hors de portée du lave-vaisselle lorsque la porte est ouverte. La porte ne devrait être laissée ouverte car cela pourrait causer des trébuchements.

11. Enlevez la couvercle du compartiment à savon lorsque vous enlevez un vieux lave-vaisselle ou lorsque vous vous en débarrassez.
12. Veuillez jeter ou recycler les matériaux d'emballage correctement. Utilisez le lave-vaisselle uniquement pour les fins pour lesquelles il a été conçu. Durant l'installation, le cordon d'alimentation ne devrait pas être plié de façon excessive ou aplati. Ne pas jouer avec les contrôles.
13. L'appareil doit être branché à un boyau d'eau principal à l'aide d'un nouveau boyau et les vieux boyaux ne devraient pas être réutilisés.
14. Le nombre maximal de couverts à laver est de 6. La pression entrante maximale allouée est de 1Mpa. La pression entrante minimale est de 0,04Mpa.

Directives pour le cordon d'alimentation électrique et la fiche

1. **DANGER D'ÉLECTROCUTION:** directives afin d'éviter les risques d'électrocution, voire la mort..
 - Branchez dans une prise à trois fiches polarisées
 - NE PAS enlever la fiche de mise à la terre.
 - NE PAS utiliser un adaptateur

- NE PAS utiliser une rallonge.
- 2. Cette unité DOIT être mise à la terre. En cas de court-circuit électrique, la mise à la terre réduit le risque de choc électrique en fournissant un fil d'échappement pour le courant électrique. Cette unité est équipée d'un cordon comportant un fil de terre et une fiche de terre. La fiche doit être branchée sur une prise correctement installée et mise à la terre.
- 3. **AVERTISSEMENT:** Une utilisation incorrecte de la fiche de mise à la terre peut entraîner un risque de choc électrique. **Si la fiche n'entre pas complètement dans la prise, contactez un électricien qualifié. N'essayez pas de modifier la fiche de quelque manière que ce soit.**
- 4. Un cordon d'alimentation court est fourni pour réduire le risque d'enchevêtrement ou de trébuchement sur un long cordon.
- 5. Le fabricant déconseille d'utiliser cet appareil dans les pays qui ne prennent pas en charge la tension alternative de 120 V, même si un adaptateur de tension, un transformateur ou un convertisseur est en cours d'utilisation.

CONSERVEZ CES INSTRUCTIONS !

INTRODUCTION

Merci d'avoir acheté le LAVE-VAISSELLE PORTATIF POUR LE COMPTOIR DE Farberware !
Une solution d'économie d'espace parfaite pour les petits espaces de vie, les véhicules de camping, les bateaux ou tout autre endroit nécessitant un grand nettoyage dans un format compact. Ce lave-vaisselle portable puissant, facile à utiliser et doté de 3 programmes de lavage (Rinçage / Lourd / Normal) ne nécessite aucune connexion externe, car il dispose d'un réservoir d'eau intégré. Il est facile à installer, possède de simples commandes numériques à une touche et s'installe facilement sur votre comptoir ou sur un plateau solide.

Caractéristiques principales :

- 3 programmes de lavage : Lourd / normal / rinçage
- Fonction de soin de bébé
- Réservoir d'eau intégré (seulement 5 litres d'eau requis)
- Capacité de lavage de 2 couverts standards
- Départ différé de 24 heures
- Niveau de bruit A + 58 dBA
- Commande tactile numérique

MISE À LA TERRE DE L'UNITÉ

Cet appareil doit être mis à la terre. En cas de mauvais fonctionnement ou de panne, la mise à la terre réduira le risque de choc électrique en fournissant une voie de moindre résistance du courant électrique. Cet appareil est équipé d'un cordon avec un conducteur de mise à la terre et une fiche de mise à la terre. La fiche doit être branchée sur une prise appropriée installée et mise à la terre conformément à tous les codes et règlements en vigueur.

Une mauvaise connexion du conducteur de mise à la terre de l'équipement peut entraîner un risque de choc électrique. Consultez un électricien qualifié ou un représentant du service après-vente si vous avez des doutes sur le fait que l'appareil est correctement mis à la terre. Ne modifiez pas la fiche fournie avec l'appareil si ce n'est pas bon pour la prise. Faites installer une prise adéquate par un électricien qualifié.



AVERTISSEMENT: Une utilisation incorrecte de la fiche de mise à la terre peut entraîner un risque de choc électrique

POUR LA SÉCURITÉ PERSONNELLE/FOR PERSONAL SAFETY

N'UTILISEZ PAS UNE RALLONGE OU UNE FICHE ADAPTATEUR AVEC CET APPAREIL. EN AUCUN CAS, NE PAS COUPER OU ENLEVER LA CONNEXION DE MISE À LA TERRE DU CORDON D'ALIMENTATION.

EXIGENCES ÉLECTRIQUES/ELECTRICAL REQUIREMENTS

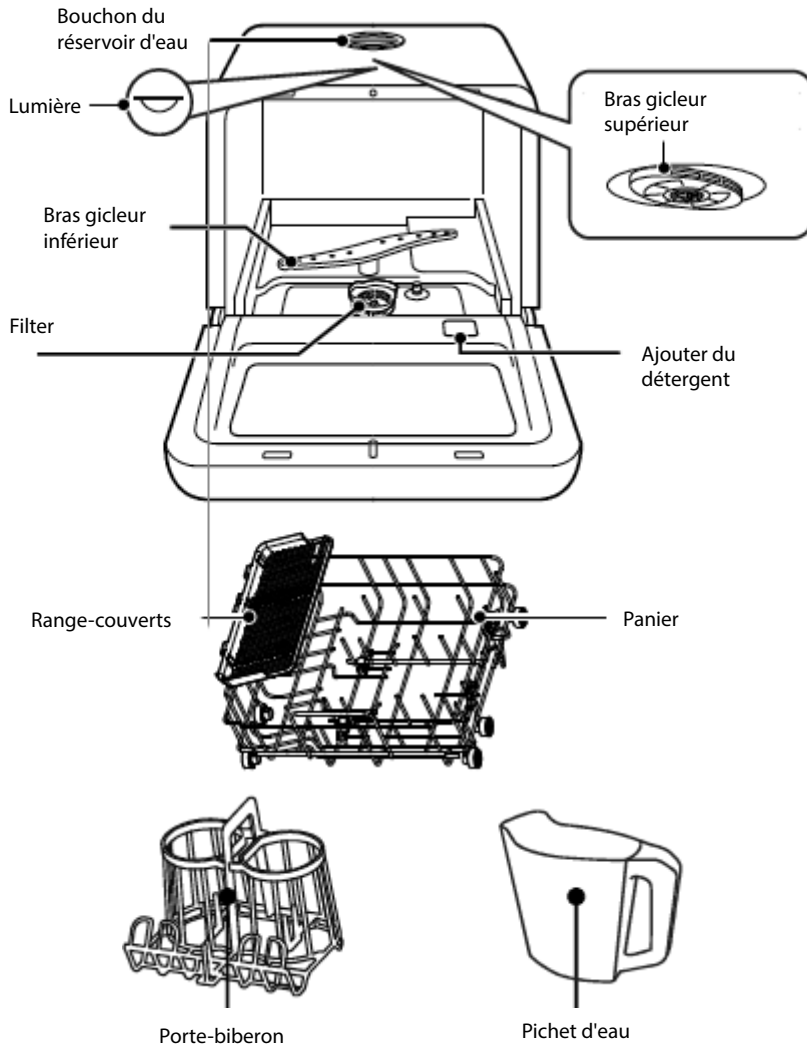
Veuillez consulter l'étiquette signalétique pour connaître la tension nominale et brancher le lave-vaisselle à l'alimentation appropriée. Utilisez le fusible requis de 10 A, le fusible temporisé ou le disjoncteur recommandé et fournissez un circuit séparé servant uniquement cet appareil.

CONNEXION ÉLECTRIQUE/ELECTRICAL CONNECTION

Assurez-vous que la tension et la fréquence de l'alimentation correspondent à celles de la plaque signalétique. Insérez la fiche uniquement dans une prise électrique correctement mise à la terre. Si la prise électrique à laquelle l'appareil doit être branché ne convient pas à la fiche, remplacez-la plutôt que d'utiliser un adaptateur ou similaire, car ils pourraient provoquer une surchauffe et des brûlures.

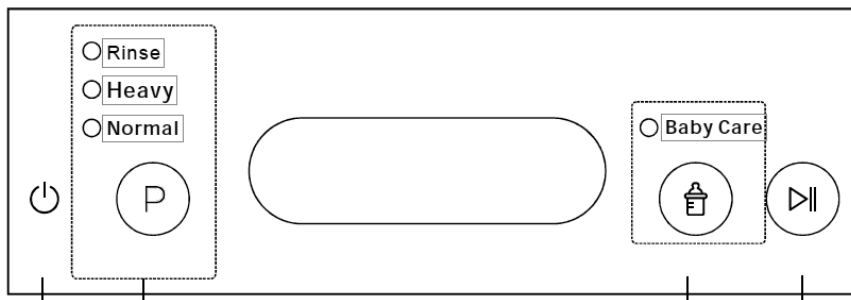
PIÈCES ET ASSEMBLAGE

Votre LAVE-VAISSELLE PORTATIF POUR LE COMPTOIR DE est entièrement assemblé. Avant d'utiliser, retirez tous les matériaux d'emballage de l'intérieur du lave-vaisselle. Vérifiez que le lave-vaisselle ne présente pas de dommages tels que des portes mal alignées ou tordues, des joints de porte et des surfaces d'étanchéité endommagés ou des charnières et des loquets desserrés et des bosselures à l'intérieur du lave-vaisselle ou sur la porte. En cas de dommage, NE PAS utiliser le lave-vaisselle. Renvoyez les articles endommagés au magasin où ils ont été achetés.



INSTRUCTIONS DE FONCTIONNEMENT

PANNEAU DE CONTRÔLE



PROGRAMME	ÉCRAN
Alimentation	Appuyez ce bouton pour allumer le lave-vaisselle.
Programme	Press the buttons to select the appropriate washing program. Rincer Un lavage plus court pour rincer la vaisselle. Lourde Pour les charges très sales, telles que les casseroles, assiettes, verres et casseroles sales. Normal Pour les charges normales, telles que les casseroles, assiettes, verres et casseroles légèrement encrassées.
Soins bébé	Libère de la vapeur à température élevée au cours des 5 premières minutes pour ramollir les taches sèches sur la vaisselle et facilite le lavage, ce qui convient au lavage des biberons.
Démarrer Pause	Appuyez sur ce bouton pour démarrer ou mettre en pause le lave-vaisselle.

CHARGEMENT DU LAVE-VAISSELLE

RECOMMANDATIONS

- Envisagez d'acheter des ustensiles identifiés comme allant au lave-vaisselle
- Utilisez un détergent doux qui est décrit comme 'type de plats'. Si nécessaire, demandez plus d'informations aux fabricants de détergents
- Pour certains articles, choisir un programme avec une température aussi basse
- Pour éviter tout dommage, ne sortez pas le verre et les couverts du lave-vaisselle immédiatement après la fin du programme.

POUR LAVER AU LAVE-VAISSELLE LES PLATS SUIVANTS LES COUVERTS / VAISSELLES

Ne sont pas appropriés

FRANÇAIS

- Couverts à anses en bois, corne de chine ou nacre
- Articles en plastique qui ne résistent pas à la chaleur. Couverts plus anciens avec des pièces collées qui ne résistent pas à la température
- Articles de coutellerie ou vaisselle en carton, articles en étain ou en cuivre
- Verre en crystal
- Articles en acier soumis à la rouille, Plateaux en bois
- Articles en fibres synthétiques

Sont plutôt limités

- Certains types de lunettes peuvent devenir ternes après de nombreux lavages.
- Les pièces en argent et en aluminium ont tendance à se décolorer pendant le lavage
- Les motifs glacés peuvent s'estomper si lavée en machine fréquemment

ATTENTION AVANT OU APRES LE CHARGEMENT DES PANIERS A LAVE-VAISSELLE

Pour obtenir les meilleures performances du lave-vaisselle, suivez ces instructions de chargement. Les caractéristiques et l'apparence des paniers et des paniers à couverts peuvent varier par rapport à votre modèle.

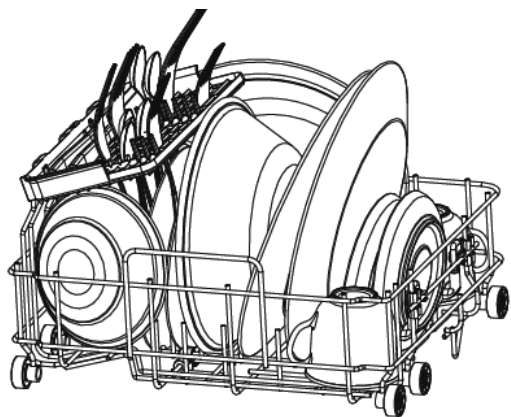
- Grattez les grandes quantités de restes de nourriture. Ramollir les restes d'aliments brûlés dans les casseroles. Il n'est pas nécessaire de rincer la vaisselle à l'eau courante.
- Placez les objets au lave-vaisselle de la manière suivante:
 1. Les articles tels que les tasses, les verres, les casseroles, etc. sont placés face en dessous.
 2. Les articles courbés, ou ceux avec des renforcements doivent être chargés en biais afin que l'eau puisse s'écouler.
 3. Tous les ustensiles sont empilés de manière sécuritaire pour ne pas basculer.
 4. Tous les ustensiles sont placés de manière à ce que les bras gicleurs puissent tourner librement pendant le lavage.

REMARQUE: Les très petits articles ne doivent pas être lavés au lave-vaisselle car ils pourraient facilement tomber du panier.

- Charger des objets creux tels que tasses, verres, casseroles, etc. avec l'ouverture vers le bas de sorte que l'eau ne puisse pas s'accumuler dans le récipient ou dans une base profonde.
- La vaisselle et les couverts ne doivent pas être placés les uns dans les autres ni se recouvrir les uns les autres. Pour éviter du dommage aux verres ils ne doivent pas se toucher.
- Chargez les gros articles les plus difficiles à nettoyer dans le panier.
- Les couteaux à lame longue et/ou acérée rangés dans une position verticale constituent un danger potentiel!
- Les articles de coutellerie longs et coupants, tels que les couteaux à découper doivent être placés horizontalement dans le panier.
- Veuillez ne pas surcharger votre lave-vaisselle. Ceci est important pour de bons résultats et pour une consommation d'énergie raisonnable.

CARGA DE LA CANASTA

Positionnez les plats et les ustensiles de cuisson de manière à ce qu'ils ne soient pas déplacés par le jet d'eau.



2 - Tasses

1 - Bol de service



2 - Des lunettes



2 - Soucoupes



2 - Bols à Dessert



1 - Plat Ovale



2 - Assiettes



2 - Assiettes à salade

Plan de chargement recommandé avec un bol de service et de la vaisselle personnelle à deux réglages.



2 Fourchettes à diner



2 Des couteaux



2 Cuillères à café



1 Fourchette à servir



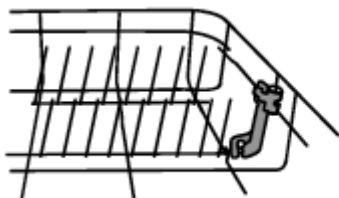
2 Cuillères à servir

Rabattre les étagères

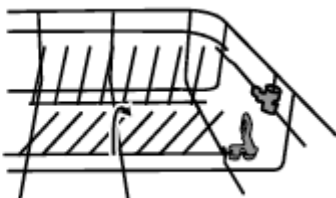
Les pointes servent à maintenir des assiettes et un plateau. Elles peuvent être abaissées pour laisser plus de place aux gros articles.

Peut se plier pour charger de la vaisselle de grande taille, un panier de fruits ou un porte-biberon.

Élever vers le haut



Plier vers le bas

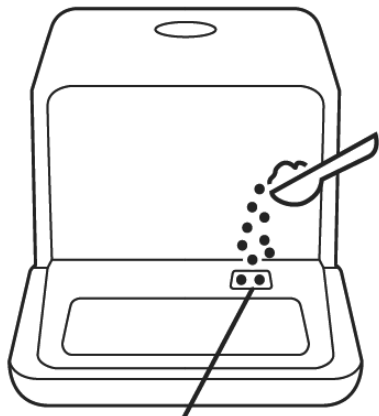


FRANÇAIS

UTILISATION DE DÉTERGENT

Utilisez uniquement un détergent spécialement conçu pour les lave-vaisselle. Ne pas utiliser de produits de rinçage. Le détergent pour lave-vaisselle est corrosif ! À conserver hors de la portée des enfants. Utilisez des programmes longs lorsque vous utilisez des tablettes de détergent. Des programmes courts risquent de ne pas permettre aux comprimés de se dissoudre complètement.

- L'utilisation du programme de lavage Normal en combinaison avec des détergents concentrés faiblement alcalins avec des enzymes naturels réduit la pollution et est bénéfique pour votre vaisselle.
- Le détergent doit être rempli avant le début de chaque cycle de lavage. Votre lave-vaisselle utilise moins de détergent que les lave-vaisselle traditionnels. En règle générale, une seule cuillère à soupe de détergent est nécessaire pour une charge de lavage normale. Ajoutez toujours le détergent juste avant de démarrer le lave-vaisselle, sinon il risque de devenir humide et de ne pas se dissoudre correctement.



Ajoutez le détergent dans le distributeur de détergent.

COMMENCER UN PROGRAMME DE LAVAGE

TABLEAU DU CYCLE DE LAVAGE

PROGRAMME	DESCRIPTION DU CYCLE	DÉTERGENT PRÉ / PRINCIPAL	DURÉE (MIN.)	ÉNERGIE (KWH)	Eau (Gal.)
Rincer	Rincer (96) Rincer	None	12	0.15	1.3
Lourde	Laver (143) Rincer Rincer (158) Séchage	6 g	160	0.5	1.3
Normal	Laver (131) Rincer Rincer (161) Séchage	6 g	155	0.43	1.3

ALLUMER L'APPAREIL

Lancer un cycle de lavage :

1. Sortez le panier (voir la section intitulée «Chargement du lave-vaisselle»);
2. Versez le détergent (voir la section intitulée «Détergent et agent de rinçage»);
3. Insérez la fiche dans la prise. L'alimentation est de 120V / 60 Hz;
4. Assurez-vous que l'alimentation en eau est à pleine pression ou que de l'eau est ajoutée au réservoir.
5. Fermez la porte et appuyez sur le bouton d'alimentation pour allumer l'alimentation électrique;
6. Appuyez sur le bouton de programme pour sélectionner le programme de lavage dont vous avez besoin. Si un programme est sélectionné, le voyant de réponse s'allumera.
7. Appuyez ensuite sur le bouton Démarrer / Annuler, le lave-vaisselle commence à démarrer.

MODIFIER LE PROGRAMME

Un cycle de lavage ne peut être modifié que s'il a fonctionné pendant une courte période, sinon le détergent aurait déjà été libéré et le lave-vaisselle aurait déjà drainé l'eau de lavage. Dans ce cas, le lave-vaisselle doit être réinitialisé et le distributeur de détergent doit être rempli. Pour réinitialiser le lave-vaisselle, suivez les instructions ci-dessous:

1. Appuyez sur le bouton Démarrer / Pause pour suspendre le lavage
2. Appuyez sur la touche Départ / Pause pendant plus de 3 secondes pour que la machine soit en état de veille.
3. Appuyez sur un nouveau bouton de programme pour sélectionner le programme souhaité.
4. Appuyez sur le bouton Départ / Pause, le lave-vaisselle se mettra en marche.

NOTA : Si vous ouvrez la porte pendant le lavage, la machine se mettra en pause. Lorsque vous appuyez sur le bouton Départ/ Pause, la machine continue à fonctionner après 10 secondes.

OUBLIE D'AJOUT D'UN PLAT?

Un plat oublié peut être ajouté à tout moment avant l'ouverture du compartiment à détergent.

1. Ouvrez un peu la porte pour arrêter le lavage
2. Lorsque les bras gicleurs cessent de fonctionner, vous pouvez ouvrir complètement la porte.
3. Ajoutez les plats oubliés
4. Fermez la porte
5. Appuyez sur le bouton démarrage/ Annuler. Le lave-vaisselle fonctionnera après 10 secondes

À LA FIN DU CYCLE DE LAVAGE

Lorsque le cycle a terminé, le bip sonore du lave-vaisselle retentira pour 8 secondes puis s'arrêtera. Éteignez l'appareil à l'aide du bouton Puissance fermez l'eau puis ouvrez la porte du lave-vaisselle. Attendez quelques minutes avant de vider le lave-vaisselle afin d'éviter de manipuler de la vaisselle et des ustensiles lorsqu'ils sont encore chauds et plus susceptibles de briser. Ils sècheront mieux également. Vu que l'appareil est en attente, celui-ci s'éteindra automatiquement après 30 minutes sans fonctionner.

Éteindre le lave-vaisselle

Tous les voyants de phase sont éteints. Seulement dans ce cas, le programme est terminé.

1. Éteignez le lave-vaisselle en appuyant sur le bouton Puissance.
2. Fermez le robinet d'eau!

Ouvrir la porte avec précaution

Les plats chauds sont sensibles aux coups. Il faut donc laisser refroidir la vaisselle environ 15 minutes avant de la retirer de l'appareil.

Ouvrez la porte du lave-vaisselle, laissez-la entrouverte et attendez quelques minutes avant de retirer la vaisselle. De cette façon, elles sera plus froide et le séchage sera amélioré.

Déchargement du lave-vaisselle:

C'est normal que le lave-vaisselle soit mouillé à l'intérieur.

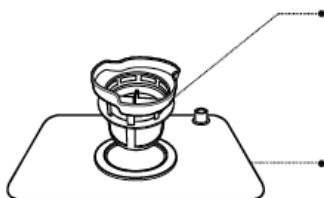
OPERATION DE DRAINAGE FORCE

En mode veille, vous pouvez appuyer simultanément sur les touches "VERRE" + "RAFRAÎCHISSEUR" pendant 3 secondes pour vider le réservoir d'eau.

NETTOYAGE ET ENTRETIEN

SYSTÈME DE FILTRATION

Le filtre empêche les restes plus importants d'aliments ou d'autres objets de pénétrer à l'intérieur de la pompe. Pour de meilleurs résultats et performances, le filtre doit être nettoyé régulièrement. Pour cette raison, il est préférable de rincer le filtre et la tasse sous l'eau courante après avoir lavé le filtre après chaque cycle de lavage. Pour retirer le filtre, tirez la poignée de la tasse vers le haut.



Filtre fin

Ce filtre retient les résidus de terre et d'aliments dans la zone de collecte et empêche les déchets d'être déposés sur la vaisselle pendant le cycle de lavage.

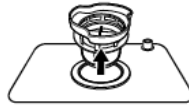
Filtre principal

Des particules de nourriture souillées pris dans ce filtre sont pulvérisées par un jet spécial sur le bras gicleur et envoyées vers le bas pour être drainées.

Étape 1 : Contrarotate le filtre, puis soulevez le tout.



Étape 2 : Soulevez le filtre fin du filtre principal.



Assemblage du filter

- Vérifier les filtres après chaque utilisation.
- En dévissant le filtre grossier, vous pouvez supprimer le système de filtrage. Enlevez les restes de nourriture et nettoyez les filtres sous l'eau courante.

DEL ENTRETIEN DU LAVE-VAISSELLE

Le panneau de contrôle peut être nettoyé à l'aide d'un chiffon légèrement humide et sécher soigneusement. On peut protéger l'extérieur en utilisant une bonne cire pour appareils ménagers. N'utilisez jamais d'objets tranchants, de tampons à récurer ou de nettoyeurs puissants sur aucune partie du lave-vaisselle.

Nettoyage de la porte

Pour nettoyer le bord de la porte, utilisez uniquement un chiffon doux, chaud et humide. Pour éviter toute pénétration d'eau dans le verrou de la porte et les composants électriques, n'utilisez aucun nettoyeur en aérosol.



AVERTISSEMENT: N'utilisez jamais de nettoyeur en aérosol pour nettoyer le panneau de porte car cela pourrait endommager le verrou de la porte et les composants électriques. Un agent abrasif ou une serviette en papier ne doit pas être utilisé en raison du risque de rayures ou de laisser des taches sur la surface de l'acier inoxydable.

Protection contre le gel

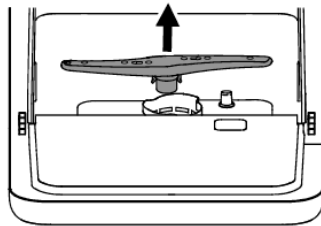
S'il vous plaît prendre des mesures de protection contre le gel sur lave-vaisselle en hiver. Après chaque cycle de lavage, procédez comme suit:

1. Coupez l'alimentation électrique du lave-vaisselle.
2. Fermez l'alimentation en eau et débranchez le tuyau d'arrivée d'eau de la vanne d'eau.
3. Vidangez l'eau du tuyau d'admission et de la vanne d'eau. (Utilisez une casserole pour recueillir l'eau)
4. Rebranchez le tuyau d'arrivée d'eau sur la vanne d'eau.
5. Retirez le filtre au fond de la cuve et utilisez une éponge pour utiliser l'eau dans le bac.

Nettoyage des bras gicleurs

Les bras gicleurs peuvent être facilement retirés pour un nettoyage périodique des buses afin d'éviter tout encrassement éventuel. Lavez-les à l'eau courante et replacez-les soigneusement dans leurs sièges en vérifiant que leur mouvement de rotation n'est pas entravé.

Saisissez le milieu du bras gicleur, tirez-le vers le haut pour le retirer. Lavez les bras sous un jet d'eau courante et replacez-les soigneusement dans leur siège. Après le montage, vérifiez que les bras gicleurs tournent librement. Sinon, vérifiez qu'ils ont été installés correctement.



FRANÇAIS

Comment garder votre lave-vaisselle en état

- **Après chaque lavage:** Après chaque lavage, fermez l'alimentation en eau de l'appareil et laissez la porte légèrement ouverte afin que l'humidité et les odeurs ne restent pas emprisonnées à l'intérieur.
- **Retirez le bouchon:** Avant le nettoyage ou l'entretien, retirez toujours la fiche de la prise.
- **Aucun solvant ou nettoyage abrasif:** Pour nettoyer l'extérieur et les pièces en caoutchouc du lave-vaisselle, n'utilisez pas de solvants ou de produits de nettoyage abrasifs. Utilisez uniquement un chiffon avec de l'eau tiède savonneuse. Pour éliminer les taches ou les saletés de la surface de l'intérieur, utilisez un chiffon imbibé d'eau avec un peu de vinaigre ou un produit nettoyant spécialement conçu pour les lave-vaisselle.
- **Lorsque vous n'en avez plus besoin pour une longue période:** Il est recommandé de lancer un cycle de lavage avec le lave-vaisselle vide, puis de débrancher la prise, de fermer l'alimentation en eau et de laisser la porte de l'appareil légèrement ouverte. Cela permettra aux joints de la porte de durer plus longtemps et d'empêcher la formation d'odeurs dans l'appareil.
- **Déplacement de l'appareil:** Si l'appareil doit être déplacé, essayez de le maintenir en position verticale. Si nécessaire, il peut être positionné sur le dos.

Joints d'étanchéité: L'un des facteurs responsables des odeurs dans le lave-vaisselle est la nourriture qui reste emprisonnée dans les joints. Un nettoyage périodique avec une éponge humide empêchera cela.

INSTRUCTION D'INSTALLATION

PRÉPARATION DE L'INSTALLATION

La position d'installation du lave-vaisselle doit être près de l'entrée existante et les tuyaux de vidange et le cordon d'alimentation.



Un côté du meuble de l'évier doit être choisi pour faciliter le raccordement des tuyaux de vidange du lave-vaisselle.

POSITIONNEMENT DE L'APPAREIL

Placez l'appareil à l'emplacement souhaité. Le dos doit reposer contre le mur derrière lui et les côtés, le long des armoires ou du mur adjacents. Le lave-vaisselle est équipé de tuyaux d'alimentation en eau et de tuyaux d'évacuation pouvant être placés à droite ou à gauche pour faciliter une installation correcte.

À PROPOS DU RACCORDEMENT DE L'ALIMENTATION

Pour votre sécurité personnelle: N'UTILISEZ PAS DE CORDON PROLONGATEUR OU DE FICHE D'ADAPTATEUR AVEC CET APPAREIL. EN AUCUN CAS, NE PAS COUPER OU ENLEVER LA CONNEXION DE MISE À LA TERRE DU CORDON D'ALIMENTATION.

Exigences électriques



Veillez consulter l'étiquette signalétique pour connaître la tension nominale et branchez le lave-vaisselle à l'alimentation appropriée. Utilisez le fusible requis de 10 Ampères, le fusible temporisé ou le disjoncteur recommandé et fournissez un circuit séparé servant uniquement cet appareil.

Connexion électrique

Assurez-vous que la tension et la fréquence de l'alimentation correspondent à celles indiquées sur la plaque signalétique. Insérez la fiche uniquement dans une prise électrique correctement mise à la terre. Si la prise électrique à laquelle l'appareil doit être connecté n'est pas adaptée à la fiche, remplacez-la au lieu d'utiliser un adaptateur ou un adaptateur similaire car ils pourraient provoquer une surchauffe et des brûlures.

AVERTISSEMENT: ASSUREZ-VOUS QUE LA MISE À TERRE APPROPRIÉE EXISTE AVANT L'UTILISATION.

Instructions de mise à terre

Cet appareil doit être mis à la terre. En cas de mauvais fonctionnement ou de panne, la mise à la terre réduira le risque de choc électrique en fournissant un chemin de moindre résistance pour le courant électrique. Cet appareil est équipé d'un cordon avec un conducteur de mise à la terre et une fiche de mise à la terre. La fiche doit être branchée sur une prise appropriée qui est installée et mise à la terre conformément à toutes les normes et exigences locales.



AVERTISSEMENT: une mauvaise connexion du conducteur de l'équipement de mise à la terre peut entraîner un risque de choc électrique. Consultez avec un électricien qualifié ou un représentant du service après-vente si vous avez des doutes sur le fait que l'appareil est correctement mis à la terre. Ne modifiez pas la fiche fournie avec l'appareil. Si la fiche ne s'adapte pas correctement à la prise, veuillez faire appel à un électricien qualifié pour installer une prise appropriée.

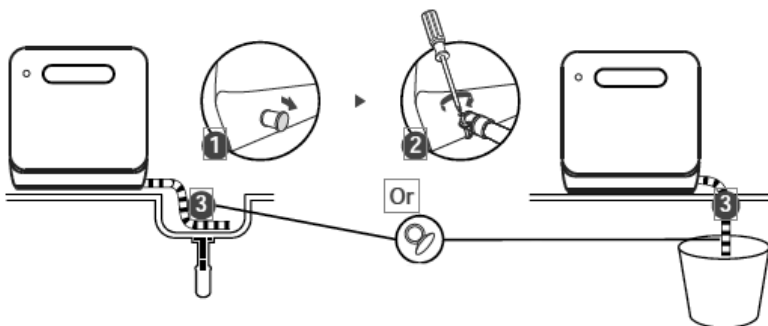
RACCORDEMENT DES TUYAUX DE DRAIN

La connexion du tuyau de vidange : Placez l'extrémité du drain dans un évier ou un seau.

Comment vider l'excès d'eau des tuyaux : Si l'évier dépasse de plus de 1 000 mm le sol, l'excès d'eau dans les tuyaux ne peut pas être drainé directement dans l'évier. Il sera nécessaire de drainer l'excès d'eau des tuyaux dans un bol ou un récipient approprié tenu à l'extérieur et plus bas que l'évier.

Sortie d'eau : Branchez le tuyau d'évacuation d'eau. Le tuyau de vidange doit être correctement installé pour éviter les fuites d'eau. Assurez-vous que le tuyau d'évacuation de l'eau n'est pas plié ni coincé.

Tuyau d'extension : Si vous avez besoin d'une rallonge de tuyau de vidange, veuillez à utiliser un tuyau de vidange similaire. La longueur ne doit pas dépasser 4 mètres, sinon l'effet de nettoyage du lave-vaisselle pourrait être réduit.



FRANÇAIS

CONSEILS DE DÉPANNAGE

AVANT D'APPELER POUR DU SERVICE

Une révision des tableaux sur les pages suivantes peut vous éviter d'appeler pour le service.

PROBLÈME	CAUSES POSSIBLES	QUOI FAIRE
Le lave-vaisselle ne démarre pas	Fusible grillé ou le circuit disjoncteur déclenché L'alimentation n'est pas allumée La porte du lave-vaisselle n'est pas fermée	Remplacez le fusible ou réinitialisez le disjoncteur. Retirez tous les autres appareils partageant le même circuit avec le lave-vaisselle. Assurez-vous que le lave-vaisselle est en marche et que la porte est bien fermée. Assurez-vous que le cordon d'alimentation est correctement branché. Fermez le lave-vaisselle en vous assurant que la porte se verrouille.
Eau non pompée du lave-vaisselle	Noeud dans le tuyau de vidange. Filtre bouché Évier de cuisine bouché	Vérifiez le tuyau de vidange Vérifiez le filtre grossier (voir «nettoyage du filtre») Vérifiez l'évier de la cuisine pour vous assurer qu'il se vide bien. Si le problème est que l'évier de cuisine ne se vide pas, vous aurez peut-être besoin d'un plombier plutôt que d'un réparateur pour lave-vaisselle
Mousse dans la cuve	Détergent inapproprié Produit de rinçage renversé	Utilisez uniquement le détergent spécial pour lave-vaisselle afin d'éviter la formation de mousse. Si cela se produit, ouvrez le lave-vaisselle et laissez la mousse s'évaporer. Ajouter 1 gallon d'eau froide à la cuve. Fermez et verrouillez le lave-vaisselle, puis lancez le cycle de lavage "Trempage" pour évacuer l'eau. Répéter si nécessaire. Essuyez toujours les éclaboussures de liquide de rinçage immédiatement.
Intérieur de la cuve tachée	Un détergent avec colorant a été utilisé	Assurez-vous que le détergent est celui sans colorant.
Pellicule blanche sur la surface intérieure	Minéraux d'eau dure	Pour nettoyer l'intérieur, utilisez une éponge humide avec du détergent pour lave-vaisselle et portez des gants en caoutchouc. Ne jamais utiliser tout autre nettoyant que le détergent pour lave-vaisselle pour éviter le risque de formation d'écume ou de mousse.
Il y a des taches de rouille sur les couverts	Les articles affectés ne résistent pas à la corrosion Un programme n'a pas été exécuté après l'ajout de sel pour lave-vaisselle. Des traces de sel sont entrées dans le cycle de lavage Le couvercle du 'souple' est lâche	Toujours exécuter le programme de lavage rapide sans vaisselle dans le lave-vaisselle et sans sélectionner la fonction Turbo (si présente), après avoir ajouté du sel au lave-vaisselle Vérifiez la lèvres. Assurez-vous que le correctif est bon.

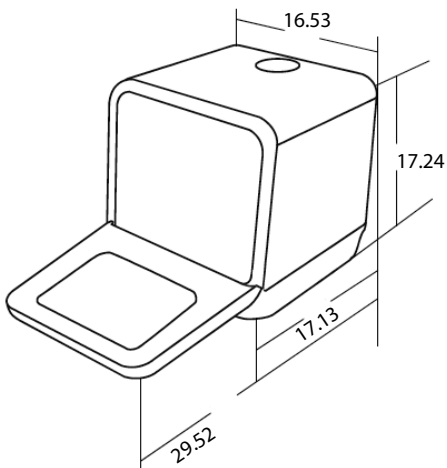
Cognage dans la cuve de lavage	Le bras gicleur heurte un objet dans un panier	Interrompez le programme et réorganisez les éléments obstruant le bras gicleur.
Bruit de cliquetis dans la cuve de lavage	Éléments de vaisselle non- sécurisés dans la cuve de lavage	Interrompez le programme et réorganisez les articles de la vaisselle.
Claquements dans les conduites d'eau	Cela peut être dû à une installation sur site ou à la section transversale de la tuyauterie	Cela n'a aucune influence sur le fonctionnement du lave-vaisselle. En cas de doute, contactez un plombier qualifié.
La vaisselle n'est pas propre	La vaisselle n'a pas été chargée correctement Le programme n'était pas assez puissant Pas assez de détergent distribué L'article bloque le passage des bras gicleurs La combinaison de filtres dans la base de la cuve de lavage n'est pas propre- bloquant les jets du bras gicleur	Voir les notes dans Charger les paniers du lave-vaisselle" Choisissez un programme plus intense "table des cycles de lavage." Utilisez plus ou changez votre détergent. Réarrangez les articles afin qu'ils puissent tourner facilement. Nettoyez et/ou entrez le filtre correctement. Nettoyez les bras de pulvérisation.
Nébulosité sur la verrerie	Combinaison d'eau douce et trop de détergent	Utilisez moins de détergent si vous avez de l'eau douce et sélectionnez le cycle le plus court pour laver la verrerie et la nettoyer.
Marques noires ou grises sur les plats	Des ustensiles en aluminium ont frotté contre la vaisselle	Utilisez un nettoyant abrasif doux pour éliminer ces marques.
Détergent laissé dans les compartiments distributeurs	Des plats bloquent les compartiments de détergent	Recharger la vaisselle correctement.
La vaisselle ne sèche pas. La vaisselle ne sèche pas	Chargement incorrect Trop peu de produit de rinçage Les plats sont retirés trop tôt Mauvais programme sélectionné Utiliser des couverts avec un enduit de basse qualité	Chargez le lave-vaisselle comme indiqué dans les instructions. Augmentez la quantité du produit de rinçage / recharge dans le distributeur. Ne pas vider le lave-vaisselle immédiatement après le lavage. Ouvrez légèrement la porte pour que la vapeur puisse s'échapper. Commencez à décharger le lave-vaisselle une fois que la vaisselle est à peine chaude au toucher. Videz le panier du bas en premier. Choisissez un programme avec un temps de lavage long. Le drainage de l'eau est plus difficile avec ces articles. Les couverts et la vaisselle de ce type ne conviennent pas au lave-vaisselle.

CODES D'ERREUR

Lorsque des mauvais fonctionnements apparaissent, l'appareil affiche des codes d'erreur pour vous avertir:

SIGNAL	Sens	Causes possibles
La lumière Soins Bébé clignote.	Plus long temps d'entrée.	Un débitmètre, une vanne de vidange ou une défaillance de la pompe doit être réparé par un ouvrier qualifié.
La normale et les soins du bébé clignent.	Ne pas atteindre la température requise.	Un dysfonctionnement du tube chauffant ou du thermostat doit être réparé par un ouvrier qualifié.
La lumière lourde scintille.	Surplus.	Certains éléments ou le lave-vaisselle fuit.
Le voyant Rinçage et Soins Bébé clignote.	Toucher l'adhésion du bouton.	L'eau ou tout autre matériau présent dans la zone clé en provoque ou devrait être réparé par un ouvrier qualifié.
Le voyant Rinçage, Lourds et Soins Bébé clignote.	Dysfonctionnement de la communication.	Il devrait être réparé par un ouvrier qualifié.
Le rinçage et la lumière normale clignent.	Dysfonctionnement du générateur de vapeur.	Il devrait être réparé par un ouvrier qualifié.

INFORMATION TECHNIQUE



Hauteur	17.24
Largeur	16.53
Profondeur	17.13
Tension de charge connectée	Voir étiquette d'évaluation
Pression de l'eau	0.04-1.0MPa
Connexion d'eau chaude	Devrait être 120 degrés F
Alimentation	Ver etiqueta de clasificación
Capacité	2 couverts

RETOURS ET GARANTIE

SI VOTRE APPAREIL NE FONCTIONNE PAS OU S'IL EST ENDOMMAGÉ QUAND VOUS LE RETIREZ DE LA BOÎTE, VEUILLEZ LE RETOURNER IMMÉDIATEMENT À L'ENDROIT OÙ IL A ÉTÉ ACHETÉ.

Lave-vaisselle portable pour le comptoir / FDW05ASWWHC

Pour toute question, communiquer par courriel ou au numéro de téléphone du service à la clientèle, entre 08 h 00 et 17 h 00, du lundi au vendredi, heure normale du Centre.

Distribué par :

Nostalgia Products LLC
1471 Partnership Dr.
Green Bay, WI 54304-5685
Service à la clientèle
Téléphone : (920) 347-9122
Site Web : www.nostalgiaproducts.com

Conditions de garantie du produit

Englewood Marketing, LLC garantit que pour une période d'un (1) an en date d'achat, ce produit est sans défaut de matériel et de fabrication selon une utilisation normale à domicile, seulement si le fonctionnement et l'entretien du produit sont conformes aux directives fournies. À titre de réparation exclusive et entière sous cette garantie, l'Entreprise pourra à sa discrétion, réparer ou remplacer le produit défectueux, voire émettre un remboursement du produit durant la période couverte sous garantie. Cette garantie n'est disponible seulement qu'à l'acheteur d'origine du produit, en date d'achat au détail dudit produit et sera valide uniquement avec le reçu de caisse d'origine, à titre de preuve d'achat, lequel est requis pour obtenir les bienfaits reliés à cette garantie. Toute réclamation doit être rapportée à l'attention de l'Entreprise dans la fenêtre de la période de la garantie, sans dépasser 30 jours à défaut de performance. Cette garantie ne couvre pas l'usure normale ou dommage cause par l'expédition, la mauvaise manipulation, la mauvaise utilisation, les accidents, les modifications, les mauvaises pièces de remplacement, voire toute autre utilisation anormale du produit à domicile. Il est possible que vous ayez à retourner le produit (avec les frais de retour prépayés par vous) pour une inspection et une évaluation. Les frais des coûts de retour ne sont pas remboursables. L'Entreprise n'est aucunement responsable pour les retours endommagés ou perdus en transit. Autrement que spécifiquement permis selon les directives de fonctionnement, cette garantie s'applique à une utilisation à domicile à l'intérieur seulement. Afin d'obtenir un service couvert sous cette garantie, veuillez contacter l'Entreprise au numéro de téléphone inclut ci-haut ou en remplissant le formulaire de demande au service à la clientèle, sur le site www.nostalgiaproducts.com. La garantie est valide seulement aux États-Unis et au Canada.

Cette garantie prévaut toute autre garantie, expresse ou implicite incluant les garanties de qualité marchande ou ayant une aptitude pour une intention en particulier, lesquelles sont exclues selon la loi. Sous aucun prétexte l'Entreprise ne pourra être tenue responsable pour tout dommage indirect, accidentel, conséquentiel ou spécial provenant de ou en relativité avec ce produit ou son utilisation. Certains états, provinces ou juridictions n'allouent pas l'exclusion ou la limitation de tels dommages accidentels ou conséquentiels, donc l'exclusion ou limitation suscitée peut ne pas s'appliquer à vous.

Cette garantie ne s'applique pas à la marchandise de renaissance.

Veuillez lire les directives de fonctionnement attentivement. Ne pas se conformer aux directives de fonctionnement annulera cette garantie.

Número de servicio al cliente

de Englewood Marketing LLC

en los EE. UU. 844-918-0509

Email: CustomerService@emllc-USA.com

FRANÇAIS