



FARBERWARE®

RECHARGEABLE BLENDER

Model Number: BL 45312

UPC: 848052005501

Customer Assistance

1-855-451-2897 (US)



Please consider the option to recycle the packaging material.



IMPORTANT SAFEGUARDS

When using electrical appliances, basic safety precautions should always be followed, including the following:

- **Read all instructions before use.**
- Do not touch hot surfaces. Use handles or knobs.
- **WARNING** - to protect against electric shock, fire and personal injury:
 - do not immerse Battery Pack, Charger, cord or plug in water or other liquids;
 - do not immerse the appliance or any electrical components in water or any other liquids;
 - always switch off and remove the Battery Pack from the Battery Docking Port before cleaning.
- This appliance should not be used by children and care should be taken when used near children.
- Remove the Battery Pack when not in use for an extended period of time, before putting on or taking off parts, and before cleaning. Allow to cool before putting on or taking off parts, and before cleaning the appliance.
- Avoid contacting moving parts.
- Do not operate any appliance with a damaged Battery Pack, charger, cord or plug, or after the appliance malfunctions or has been damaged in any manner. Call our toll-free customer assistance number for information on examination, repair, or electrical or mechanical adjustment.
- The use of attachments not recommended by the appliance manufacturer may result in fire, electric shock or injuries to persons. Always check attachments before use. Do not use damaged attachments.
- Do not use in damp or wet areas.
- Do not let power cord hang over edge of table or counter.
- Do not let power cord touch hot surfaces, including the stove. Do not place on or near a hot gas or electric burner or in a heated oven.
- When mixing liquids, do not exceed the maximum fill level.
- Keep hands and utensils out of jar while blending to reduce the risk of severe injury to persons or damage to the unit. A scraper may be used but must be used only when the unit is not running.
- Blades are sharp. Handle carefully.
- To reduce the risk of injury, never place blade assembly and Blade Base on base unit without the jar properly attached.
- Jar must be properly in place before operating appliance.
- Always operate appliance with the jar lid in place.
- Do not blend hot liquids in the jar. Allow any hot liquids to cool to a lukewarm temperature before pouring them into the jar.
- Do not blend dry ingredients.
- Do not place the appliance close to the edge of the countertop.
- Never attempt to remove the jar from the Motor Unit during operation.
- The external supply cord of this charging adaptor cannot be replaced, if the cord is damaged, the charging adaptor shall be discarded.

SAVE THESE INSTRUCTIONS!



IMPORTANT SAFEGUARDS

- To disconnect, turn the control knob to **OFF** and then remove the Battery Pack from the Battery Docking Port.
- Never pull on the power cord to disconnect the appliance from the wall outlet; instead, grasp the plug and pull on the plug.
- Do not use appliance for other than intended use.
- Do not clean with metal scouring pads. Pieces can break off the pad and touch electrical parts involving a risk of electric shock.
- Let the appliance cool completely before putting away or storing.
- Never leave the appliance unattended during use.
- Do not attempt to use this charger with any other appliance.
- Use appliances only with specifically designated Battery Packs. Use of any other Battery Packs may create a risk of injury and fire.
- Do not attempt to charge the Battery Pack with any other charger. Recharge only with the charger specified by the manufacturer. A charger that is suitable for one type of Battery Pack may create a risk of fire when used with another Battery Pack.
- Unplug the charger from the outlet before attempting any cleaning of the charger.
- Do not operate a damaged charger. Have a damaged charger replaced immediately.
- Do not use a Battery Pack or appliance that is damaged or modified. Damaged or modified batteries may exhibit unpredictable behavior resulting in fire, explosion or risk of injury.
- Do not expose a Battery Pack or appliance to fire or excessive heat. Exposure to fire or temperatures above 265°F / 130°C may cause an explosion.
- Do not dispose of the appliance or Battery Pack in fire. This appliance is delivered with a lithium Battery Pack which must be recycled at the end of the life of the appliance and disposed of properly. Do not incinerate or compost batteries, as they will explode at high temperature.
- Do not dismantle batteries.
- Remove the Battery Pack from the appliance which is not to be used for an extended period of time.
- Do not allow the terminals of battery to contact metal objects when carrying or storing the battery. Never attempt to open or modify battery for any reason. Released electrolyte is corrosive and may cause damage to eyes and skin. It may be toxic if swallowed.
- Leaks from Battery Packs can occur under extreme conditions. If the liquid gets on the skin, (1) wash quickly with soap and water or (2) neutralize with mild acid such as lemon juice or vinegar. If the liquid gets into eyes, flush them immediately with clean water for a minimum of 10 minutes. Seek medical attention.

SAVE THESE INSTRUCTIONS!



ADDITIONAL SAFEGUARDS

This appliance is for **HOUSEHOLD USE ONLY**.

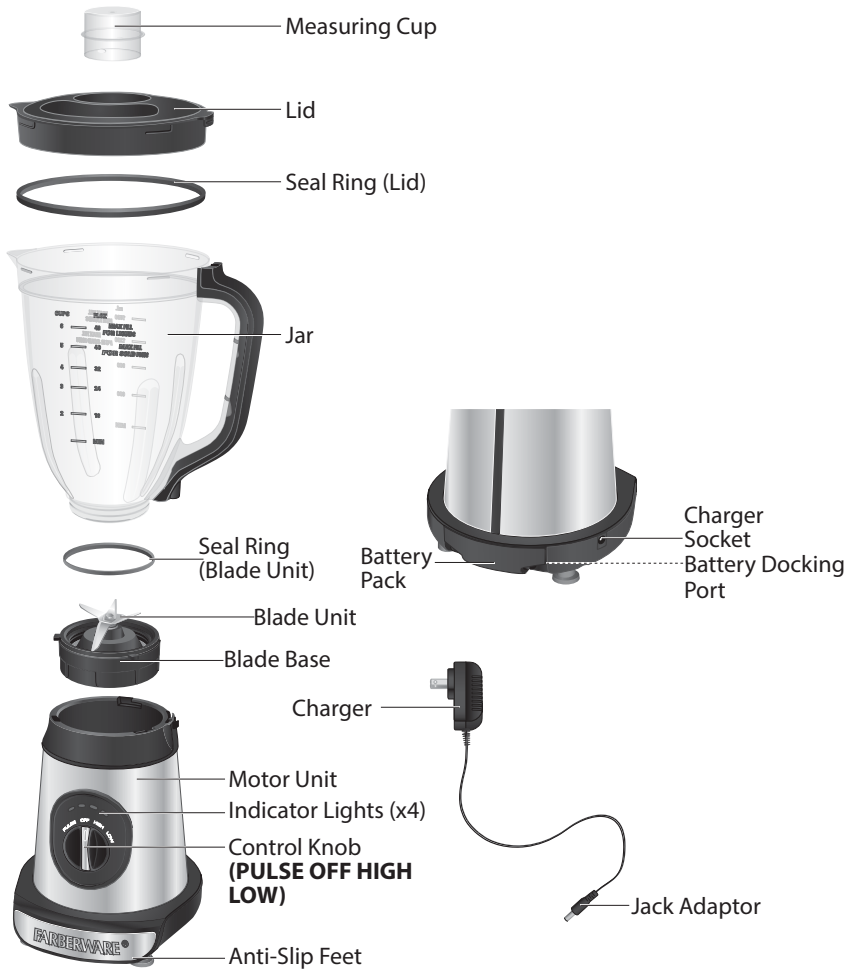
WARNING:

- **DO NOT OPERATE THIS CHARGER, IF THE POWER CORD SHOWS DAMAGE OR IF CHARGER WORKS INTERMITTENTLY OR STOPS WORKING ENTIRELY.**
- A short power-supply cord is provided to reduce the risk resulting from becoming entangled in or tripping over a longer cord.
- Do not let children handle or put the electrical cord into their mouths.

SAVE THESE INSTRUCTIONS!



PARTS





OPERATION

Before first use

- Remove all packaging materials and / or other transportation means.
- Check package content to verify it is complete and undamaged. Do not operate the appliance if the content is incomplete or appears damaged. Return it immediately to Walmart.

Danger of suffocation!

- Packaging materials are not toys. Always keep plastic bags, foils and foam parts away from babies and children. Packaging material could block airways and prevent breathing.
- Clean your appliance and all accessories thoroughly before using for the first time (↳ Cleaning and Maintenance).

Assembly

WARNING:

- The blades on the Blade Unit are very sharp. Always handle Blade Unit with care. Do not touch blades as this may cause injuries (ill. **a**).
- Ensure that the Seal Ring (Blade Unit) is correctly placed in the Blade Base. Guide the Blade Base onto the narrow end of the Jar. Ensure they are aligned with each other.
- Turn the Blade Base counterclockwise to secure it to the jar (ill. **b**). Ensure a tight seal. Do not overtight.



- Place the Motor Unit on a clean, flat and stable surface.
- With the handle on the right hand side, align the arrow on the side of the Blade Base with the notches on the Motor Unit and lower the Jar into the recess of the Motor Unit (ill. **c**).
- Turn the Jar clockwise to lock it in place (ill. **d**). Ensure the arrow at the base of the handle is aligned with the arrow on the Motor Unit.



OPERATION

NOTE:

The Blade Base must be securely attached to the Jar before attaching the Jar to the Motor Unit. The Jar will not lock in place if the Blade Base is loose.



- Prepare and place food in the assembled Jar (→ Using the appliance).
- Once food has been placed in the Jar, place the Lid with Seal Ring (Lid), together with the Measuring Cup in, on the Jar (ill. e). Ensure the Seal Ring (Lid) is correctly placed on the Lid.
- Rotate the lid so that the notches on the lid engage with the tabs on the jar. Ensure the spout cover is placed over the spout. The appliance can now be switched on.
- Once the appliance is switched off, turn the Jar counterclockwise and lift it upwards from the Motor Unit to remove it (ill. f). Remove the Battery Pack from the Battery Docking Port if the appliance will not be used for an extended period of time.



OPERATION

Using the appliance

This appliance can be used for blending cooked or raw food. This appliance can be used to puree and for preparing sauces, smoothies, shakes, baby food, vegetables, and batter.

This appliance is not intended for blending hot liquids or foods.

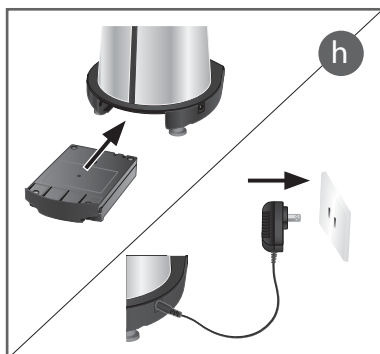
WARNING:

- Do not use the Jar in a microwave.
- Do not fill the jar above the **MAX FILL FOR LIQUIDS** / **MAX FILL FOR SOLID FOODS** markings, depending on the food to be blended, or below the **MIN** marking. The maximum liquid capacity is **6CUPS / 48FL.OZ / 1500mL**. The maximum solid food capacity is **5CUPS / 42FL.OZ / 1200mL**.
- Place the Motor Unit on a clean, flat and heat-resistant surface. Assemble the appliance (→ Assembly).
- Place food in the Jar (ill. **g**).



NOTE:

- Peel or core any fruits or vegetables and cut them into small chunks. Cut food into small pieces not larger than 1/2 inch.
- When blending dry ingredients, add water to allow an easier and smoother operation. Do not blend dry ingredients only.
- Ensure there is enough liquid in the jar to at least cover the blades.
- Insert the Battery Pack in the Battery Docking Port (ill. **h**).





OPERATION

WARNING:

- Always ensure there is food in the Jar before using the appliance.
- Do not use the jar to blend hot liquids.
- Do not overfill the jar to avoid spilling or food entering the Motor Unit.
- Turn the Control Knob (**PULSE OFF HIGH LOW**) to the required setting to start operation (↳ Blending programs) (ill. ⓘ). The Indicator Lights are illuminating to show the battery status (↳ Indicator lights).



NOTE:

- During operation, rotate the Measuring Cup to align its tabs with the notches on the Lid and remove it from the lid to add liquid, if required. Do not fill the jar above the MAX FILL markings.

WARNING:

- Never attempt to remove the Jar from the Motor Unit during operation.
- Do not operate the appliance continuously for more than 1 minute. Do not operate the appliance continuously for more than 15 seconds without load. Allow the appliance to cool down for 3 minutes before using it again.
- If used continuously for 1.5 minutes, the appliance will switch off automatically. Allow the appliance to cool down for 5 minutes before using it again.
- The appliance has an overcurrent protection which automatically switches off the appliance if the rated current is exceeded due to heavy load, when the blades are being prevented from turning. Blocked blade safety activates and all Indicator Lights are flashing red. If this happens, turn the Control Knob (**PULSE OFF HIGH LOW**) to **OFF** position to switch the appliance off. Loosen food in the jar and then turn the Control Knob (**PULSE OFF HIGH LOW**) to the required position to switch the appliance back on.
- Once the ingredients have reached the desired consistency, turn the Control Knob (**PULSE OFF HIGH LOW**) to **OFF** position to stop operation. The Indicator Lights switch off.
- Allow the appliance to cool down completely before cleaning it (↳ Cleaning and Maintenance). Clean after every use.

NOTE:

- Replacement blending jars, batteries and chargers are available for purchase on Walmart.com.



OPERATION

Blending programs

The maximum blending times in the chart below are not approximate and should be respected.



Button	Duration	Speed	Action
PULSE	max. 1 minute	max speed	Rotate counterclockwise and hold; release to stop
HIGH LOW	max. 1 minute	high speed slow speed	Rotate clockwise to start; rotate counterclockwise to OFF position to stop

NOTE:

- Do not operate the appliance continuously for more than 1 minute. Do not operate the appliance continuously for more than 15 seconds without load. Allow the appliance to cool down for 3 minutes before using it again.
- If used for 1.5 minutes, the appliance will switch off automatically. Allow the appliance to cool down for 5 minutes before using it again.
- Turn the Control Knob (**PULSE OFF HIGH LOW**) to **OFF** position to stop operation and switch the appliance off.

Tips for ice crushing: When crushing ice, always add water until ice floats over the blades. (Do not use anything except water to crush ice.)

Charging the Battery Pack

The Battery Pack for this appliance has been shipped in a low charge condition. Charge it fully before first use.

NOTE:

- The Battery Pack has a rated voltage of DC 14.8V. Before plugging the charger into a wall outlet for charging, ensure that the electrical circuit is not overloaded with other appliances.

WARNING:

- Charge in a safe location away from moisture and heat sources!
- Always charge the Battery Pack before storage!



OPERATION

- Ensure the Battery Pack is fully inserted and locked in place in the Battery Docking Port.
- Connect the Jack Adaptor to the Charger Socket and then the Charger into a wall outlet (ill. **j**). The Indicator Lights will flash for 10 seconds before showing the actual battery status (↔ Indicator lights).



NOTE:

- The capability to charge the Battery Pack is not affected by the appliance state of assembly.
- Disconnect the Charger from the wall outlet and then the Jack Adaptor from the Charger Socket.

Indicator lights

Below table shows the different combinations of Indicator Lights.

Indicator lights	Color	State	Remarks
1 flashing light	Blue	Charging	Battery level $\leq 25\%$
1 steady light and 1 flashing light			$25\% \leq$ Battery level $< 50\%$
2 steady lights and 1 flashing light			$50\% \leq$ Battery level $< 75\%$
3 steady lights and 1 flashing light			$75\% \leq$ Battery level $< 100\%$
4 steady lights			Plugged with full charge
3 steady lights	Red	In use	$75\% \leq$ Battery level $< 100\%$
2 steady lights			$50\% \leq$ Battery level $< 75\%$
1 steady light			$25\% \leq$ Battery level $< 50\%$
1 flashing light	Red	Fault	Battery level $\leq 25\%$
4 flashing lights			Battery Pack needs charging Defective Battery Pack, blocked motor or Battery Pack charging issue
No light	None	Not in use	Unplugged appliance / Depleted or missing Battery Pack



OPERATION

NOTE:

- When the battery is depleted, charge the blender for about 4 hours for the battery to be fully charged.
- When the appliance is not fully assembled (missing or unlocked Jar / Lid, turn the Control Knob (**PULSE OFF HIGH LOW**) to **PULSE / HIGH / LOW** position to check the battery status.
- When plugging the Charger to the Charger Socket, the Indicator Lights will flash for 10 seconds before showing the actual battery status.
- The appliance automatically switches off once the battery level is too low and the first light indicator flashes red.
- When the motor is blocked, all Indicator Lights are flashing red. Turn the Control Knob (**PULSE OFF HIGH LOW**) to **OFF** position to switch the appliance off and then turn it to the required position to switch the appliance back on. If needed, shake the jar to loosen its content, or stir the content inside the jar before switching the appliance back on.

RECIPES

Salsa

5	tomatoes (12 oz), cut into quarters
2	garlic cloves
2	jalapeno peppers, seeds removed, chopped
1	small onion, chopped
½ cup	cilantro
2 tbsp.	lemon juice
1 tsp	salt
½ tsp	pepper

- Place all ingredients in the Jar and cover. Use the **PULSE** function to combine all ingredients until desired consistency.



RECIPES

Frozen Smoothie

1 cup	ice
2 cups (or until ice floats above the blades)	milk
1 cup	plain or vanilla yogurt
3 cups	frozen fruit (strawberries, mangos and peaches)
2 tbsp.	sugar

- Place ice in the Jar and add milk until the ice floats. Add the rest of the ingredients in the Jar and cover. Blend on **HIGH** for 30 seconds. Blend on **HIGH** for an additional 30 seconds or until desired consistency.
- Tip: If necessary, shake the content or use the **PULSE** function to dislodge stuck foodstuck.

Green Smoothie

2 cups	coconut water
2 cups	spinach
½	avocado
1	banana
1 cup	frozen mango chunks

- Place all ingredients in the Jar. Cover and blend on HIGH for 30 seconds. Add coconut water if desired. Blend on HIGH for an additional 30 seconds or until desired consistency.

HINTS AND TIPS

- Always allow frozen ingredients to defrost. Frozen ingredients are hard and can damage the appliance.
- Add liquid ingredients into the Jar first before adding solid ingredients to ensure an even blend. Do not use with dry ingredients only.
- Cut ingredients into smaller pieces to allow quicker blending. For best results, cut solid ingredients into approximately ½ inch pieces.
- Operate the appliance for only as long as needed to reach the right consistency. To stop the operation, turn the Control Knob (**PULSE OFF HIGH LOW**) to **OFF** position.
- Do not use the appliance to blend hot liquids or foods.
- It is recommended to clean all accessories used after each use.



CLEANING AND MAINTENANCE

Proper maintenance will ensure many years of service from your appliance. Clean the appliance after every use. The appliance contains no user serviceable parts and requires little maintenance. Leave any servicing or repairs to qualified personnel.

WARNING:

- Always rotate the Control Knob (**PULSE OFF HIGH LOW**) to **OFF** position and remove the Battery Pack from the Battery Docking Port before cleaning. Allow all parts of the appliance to cool down completely.
- The Blade Unit are very sharp. Clean carefully. Danger of injuries!

NOTE:

- Do not immerse the Motor Unit, Battery Pack or Charger into water or any other liquids. Do not use abrasive cleaners, steel wool or scouring pads. Dry all parts thoroughly after cleaning, before using or storing the appliance. Ensure that no water enters the Motor Unit.
- Be careful not to damage or lose the seals.
- Wash the Measuring Cup, Lid, Seal Ring (Blade Unit), Jar, Blade Unit and Blade Base with hot soapy water. Rinse and dry carefully.
- The Measuring Cup, Lid and Jar can also be washed in a dishwasher.
- Wipe the Motor Unit housing with a damp cloth.

NOTE:

- Dry all parts and surfaces thoroughly before use. Make sure that all parts and surfaces are completely dry before connecting the appliance to a wall outlet.

Cleaning between blending operations

In case the appliance needs to be cleaned before being used again to blend different food, follow below procedure:

- Ensure the Jar is assembled for normal use.
- Fill the jar halfway with lukewarm water.
- Place the Lid with Seal Ring (Lid), together with the Measuring Cup in, on the Jar.
- Turn the Control Knob (**PULSE OFF HIGH LOW**) to **PULSE** position. Release it after a few seconds. The control knob shall return to **OFF** position automatically.
- Remove the Battery Pack from the Battery Docking Port and remove the Jar from the Motor Unit. Discard the water used.
- Dry all parts and surfaces thoroughly before operating the appliance again.

NOTE:

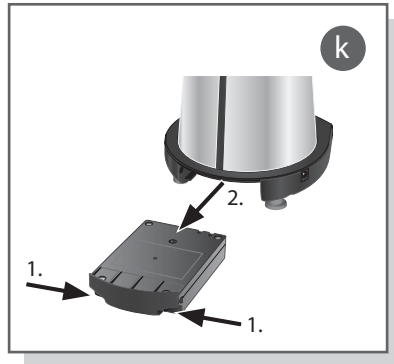
- If the quick cleaning procedure did not remove all food residues, follow the general cleaning procedure.



CLEANING AND MAINTENANCE

Storage

- Ensure the Battery Pack is charged before storage.
 - Before storage, always make sure the appliance is completely cool, clean and dry.
 - If not in use for an extended period, remove the Battery Pack before storage. Press the locking buttons on each side of the Battery Pack and pull it out of the Battery Docking Port (ill. **k**). Store the Battery Pack in a completely cool, clean and dry place.
 - Do not allow the terminals of battery to contact metal objects when carrying or storing the battery.
- It is recommended to store the appliance in a dry place.
 - Store the appliance on a stable shelf or in a cupboard. To avoid accidents, ensure that both the appliance and its charger are beyond reach of children or pets.



TROUBLESHOOTING

Problem	Cause	Solution
The appliance is not working	Missing / not fully inserted Battery Pack	Insert the Battery Pack into the Battery Docking Port
	Depleted Battery Pack (1 red flashing light)	Turn the control knob to the OFF position, connect the Jack Adaptor to the Charger Socket and then the charger to a wall outlet. Restart operation once the Battery Pack is fully charged
	Unlocked jar / lid	Turn the control knob to the OFF position and check assembly of the jar on the base, and of the lid on the lid on the jar
	Overheated appliance (4 red flashing lights)	Turn the control knob to the OFF position, remove the Battery Pack and allow to cool down before using it again
	Overloaded motor (4 red flashing lights)	Turn the control knob to the OFF position, remove the Battery Pack and let the appliance cool down. Follow specified working and resting times (↳ Blending programs)
	Malfunctioning appliance / Damaged Battery Pack	Turn the control knob to the OFF position, remove the Battery Pack and contact qualified personnel to check and repair the appliance



TROUBLESHOOTING

Problem	Cause	Solution
The blades are rotating very slowly	Too much food in the jar	Turn the control knob to the OFF position, remove some food, shake ingredients to redistribute, restart blending operation
	Not enough liquid in the jar	Turn the control knob to the OFF position, add some liquid, restart blending operation
The appliance suddenly stops	Depleted Battery Pack (1 red flashing light)	Turn the control knob to the OFF position, connect the Jack Adaptor to the Charger Socket and then the charger to a wall outlet. Restart operation once the Battery Pack is fully charged
	Overloaded motor (4 red flashing lights)	Turn the control knob to the OFF position, remove the Battery Pack and let the appliance cool down. Follow specified working and resting times (↳ Blending programs)
The Battery Pack cannot be charged	Charger not plugged in	Ensure the Jack Adaptor is connected to the Charger Socket and the charger to a wall outlet.
	Wall outlet not energized	Check fuses and circuit breaker
	Damaged Battery Pack	Disconnect the charger from the wall outlet and then the Jack Adaptor from the Charger Socket, remove the Battery Pack and contact qualified personnel to check and repair the appliance
	Damaged charger	Disconnect the charger from the wall outlet and then the Jack Adaptor from the Charger Socket, remove the Battery Pack and contact qualified personnel to check and repair the appliance
Food not fully blended	Ingredients too large	Turn the control knob to the OFF position, remove ingredients and cut them into smaller pieces
	Too much food in the jar	Turn the control knob to the OFF position, remove some food, shake ingredients to redistribute, restart blending operation



TROUBLESHOOTING

Problem	Cause	Solution
Liquid leakage	Parts not tightly secured	Turn the control knob to the OFF position and check and secure the parts carefully
	Too much food in the jar	Turn the control knob to the OFF position, remove some food and clean the appliance. Shake ingredients to redistribute, restart blending operation
	Missing seal ring on the attachment unit	Insert the required seal ring
	Damaged seal ring on the attachment unit	Replace with a proper new seal ring

If additional assistance is needed, please contact our Customer Assistance at 1-855-451-2897 (US).

TECHNICAL DATA

Battery rated capacity: 2000mAh
 Battery Pack: 14.8V Li-ion

Charger input: 100 -240V~
 50/60Hz 0.5A Max.
 Capacity (jar): max. 48oz (1.5L) for liquids
 max. 42oz (1.2L) for solid foods

Charger output: DC 18V 800mA

Recommended ambient charging temperature: 50°F – 104°F (10°C – 40°C)
 Recommended storage temperature: 50°F – 104°F (10°C – 40°C)

Material (jar): BPA-Free Acrylonitrile Styrene (AS) plastic



CUSTOMER ASSISTANCE

If you have a claim under this warranty, please call our Customer Assistance Number. For faster service, please have the model number and product name ready for the operator to assist you. This number can be found on the bottom of your appliance and on the front page of this manual.

Model Number: _____ Product Name: _____

Customer Assistance Number 1-855-451-2897

Keep these numbers for future reference!

Two-year limited warranty

What does your warranty cover?

- Any defect in material or workmanship.

For how long after the original purchase?

- Two years.

What will we do?

- Provide you with a new one.
- For those items still under warranty but no longer available, WAL-MART reserves the right to replace with a similar FARBERWARE branded product of equal or greater value.

How do you make a warranty claim?

- Save your receipt.
- Properly pack your unit. We recommend using the original carton and packing materials.
- Return the product to your nearest Walmart store or call Customer Assistance at 1-855-451-2897.

What does your warranty not cover?

- Parts subject to wear, including, without limitation, glass parts, glass containers, cutter/strainer, blades, seals, gaskets, clutches, motor brushes, and/or agitators, etc.
- Commercial use or any other use not found in printed directions.
- Damage from misuse, abuse, or neglect, including failure to clean product regularly in accordance with manufacturer's instructions.

How does state law relate to this warranty?

- This warranty gives you specific legal rights, and you may also have other rights which vary from state to state or province to province.
- This warranty is in lieu of any other warranty or condition, whether express or implied, written or oral, including, without limitation, any statutory warranty or condition of merchantability or fitness for a particular purpose.
- WAL-MART, FARBERWARE and the product manufacturer expressly disclaim all responsibility for special, incidental, and consequential damages or losses caused by use of this appliance. Any liability is expressly limited to an amount equal to the purchase price paid whether a claim, however instituted, is based on contract, indemnity, warranty, tort (including negligence), strict liability, or otherwise. Some states or provinces do not allow this exclusion or limitation of incidental or consequential losses, so the foregoing disclaimer may not apply to you.

What if you encounter a problem with this product while using it outside the country of purchase?

- The warranty is valid only in the country of purchase and if you follow the warranty claim procedure as noted.

FARBERWARE[®]

© 2019 Farberware Licensing Company, LLC. All Rights Reserved. Copyrights and Trademarks of Farberware Licensing Company, LLC, including FARBERWARE[®], are used under license from Farberware Licensing Company, LLC.