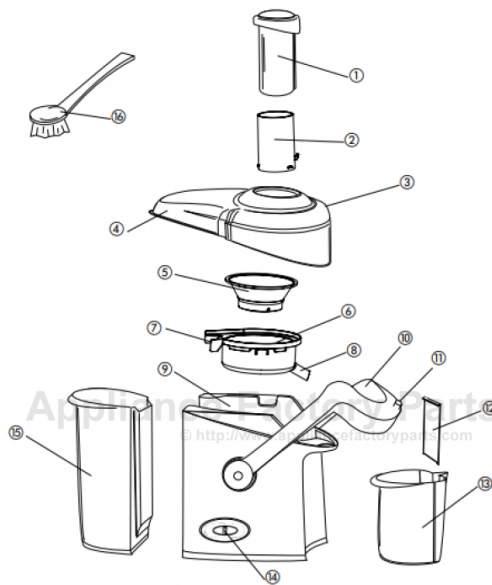


Juiceman JM300 Owner's Manual

[Shop genuine replacement parts for Juiceman JM300](http://www.appliancefactoryparts.com)



- | | |
|---|---|
| † 1. Food pusher (Part # JM300-01) | 10. Lid locking lever |
| † 2. Feed tube (Part # JM300-02) | 11. Safety lock button |
| † 3. Lid (Part # JM300-03) | † 12. Froth separator (Part # JM300-06) |
| 4. Pulp ejection opening | † 13. Juice pitcher (Part # JM300-07) |
| † 5. Stainless steel filter basket
(Part # JM300-04) | 14. Control switch |
| † 6. Juice bowl (Part # JM300-05) | † 15. Pulp basket (Part # JM300-08) |
| 7. Pulp spout | † 16. Cleaning brush (Part # JM300-09) |
| 8. Juice spout | Note: † indicates consumer replaceable/
removable parts |
| 9. Motor base | |

[Find Your Juiceman Juicer Parts - Select From 17 Models](http://www.appliancefactoryparts.com)

----- Manual continues below -----

Juiceman®

Customer Care Line:

USA / Canada
1-800-231-9786

Mexico
01-800 714-2503

Accessories/Parts
(USA / Canada)
Accesorios/Partes
(EE.UU / Canadá)

1-800-738-0245

For online customer service
and to register your product, go to
www.prodprotect.com/applica



Model/Modelo

□ JM300

Please Read and Save this Use and Care Book

IMPORTANT SAFEGUARDS

When using electrical appliances, basic safety precautions should always be followed, including the following:

- Read all instructions.
- To protect against risk of electrical shock do not put cord, plugs or appliance in water or other liquid.
- Close supervision is necessary when any appliance is used by or near children.
- Unplug from outlet when not in use, before putting on or taking off parts, or before cleaning.
- Avoid contacting moving parts.
- Do not operate any appliance with a damaged cord or plug or after the appliance malfunctions, or is dropped or damaged in any manner. Return appliance to the nearest authorized service facility for examination, repair or electrical or mechanical adjustment. Or, call the appropriate toll-free number on the cover of this manual.
- The use of attachments not recommended or sold by the manufacturer may cause fire, electric shock or injury.
- Do not use outdoors.
- Do not let cord hang over edge of table or counter, or touch hot surfaces.
- Always make sure juicer cover is clamped securely in place before motor is turned on. Do not unfasten clamps while juicer is in operation.
- Be sure to turn switch to OFF (0) position after each use of your juicer. Make sure the motor stops completely before disassembling.
- Do not put your fingers or other objects into the juicer opening while it is in operation. If food becomes lodged in opening, use food pusher or another piece of fruit or vegetable to push it down. When this method is not possible, turn the motor off and disassemble juicer to remove remaining food.

SAVE THESE INSTRUCTIONS.

This product is for household use only.

ADDITIONAL IMPORTANT SAFEGUARDS

- All users of this appliance must read and understand this Instruction Manual before operating or cleaning this appliance.
- Do not leave appliance unattended during use.
- If appliance begins to malfunction during use, immediately turn the control dial to OFF (0) and unplug the cord. Do not use or attempt to repair the malfunctioning appliance.
- If appliance falls or accidentally becomes immersed in water, unplug it immediately. **Do not reach into the water!** Do not use appliance after it has fallen into or becomes immersed in water.
- To reduce risk of injury to persons or property, never use appliance in an unstable position.
- Do not use appliance for other than its intended use.

POLARIZED PLUG (120V models only)

This appliance has a polarized plug (one blade is wider than the other). To reduce the risk of electric shock, this plug is intended to fit into a polarized outlet only one way. If plug does not fit fully into outlet, reverse the plug. If it still does not fit, contact a qualified electrician. Do not attempt to modify plug in any way.

SHORT CORD INSTRUCTIONS

A short power-supply cord is provided to reduce the risk resulting from becoming entangled in or tripping over a longer cord. Do not use an extension cord with this product.

PLASTICIZER WARNING

Caution: To prevent plasticizers from migrating from the finish of the countertop or tabletop or other furniture, place **NON-PLASTIC** coasters or place mats between appliance and the finish of countertop or tabletop.

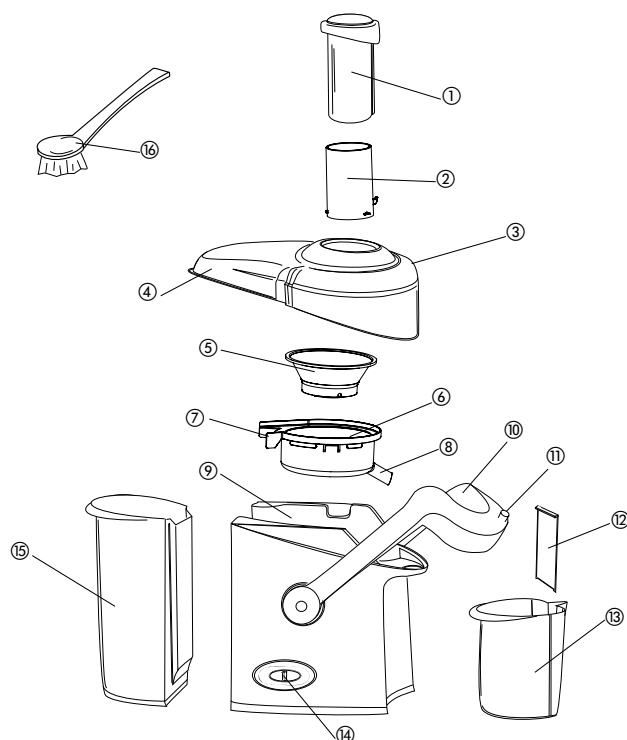
Failure to do so may cause the finish to darken. Permanent blemishes may occur or stains can appear.

ELECTRIC POWER

If the electrical circuit is overloaded with other appliances, your appliance may not operate properly. It should be operated on a separate electrical circuit from other appliances.

Getting to Know your Juicer

Product may vary slightly from what is illustrated.



- + 1. Food pusher (Part # JM300-01)
 - + 2. Feed tube (Part # JM300-02)
 - + 3. Lid (Part # JM300-03)
 - + 4. Pulp ejection opening
 - + 5. Stainless steel filter basket (Part # JM300-04)
 - + 6. Juice bowl (Part # JM300-05)
 - + 7. Pulp spout
 - + 8. Juice spout
 - + 9. Motor base
 - + 10. Lid locking lever
 - + 11. Safety lock button
 - + 12. Froth separator (Part # JM300-06)
 - + 13. Juice pitcher (Part # JM300-07)
 - + 14. Control switch
 - + 15. Pulp basket (Part # JM300-08)
 - + 16. Cleaning brush (Part # JM300-09)
- Note:** † indicates consumer replaceable/removable parts

Speed selection

This juicer has two speed options: LOW (1) and HIGH (2). These two speeds ensure optimal RPM level, for maximum juicing efficiency (efficiency describes amount of juice extracted from produce). Speeds are selected simply by sliding the control switch to the desired setting.

HIGH (2)

Best for harder produce: carrots, gingerroot, beets and pineapple (with rind).

LOW (1)

Best for softer produce: citrus fruits, apples, grapes (with stems), melons, peaches (pits removed) and tomatoes. This speed setting is also recommended for ripe produce that has become soft.

OFF (0)

Turns juicer off.

Before First Use

Your juicer comes partly assembled in the box. We suggest taking it apart and washing any removable parts in warm water with a biodegradable, nonabrasive liquid detergent before first use. This will eliminate any traces of dust or residue left from manufacturing and shipping.

Note: Be sure to remove all protective packaging before using your juicer.

Caution: Never rinse or immerse motor base in water or any other liquid.

Refer to ASSEMBLY and DISASSEMBLY INSTRUCTIONS. Make sure juicer is properly and completely assembled before use. Juicer will not turn on unless properly assembled.

Preparation

Preparing fruits and vegetables for juicing

- Clean all produce thoroughly, using a natural bristle brush. If you are not using organic produce, we recommend using a biodegradable cleaner to help remove pesticide residue.
- Remove and discard outer leaves of non-organic produce and peel away waxing.
- Trim away any discolored or bruised sections.
- The skin may be left on all produce (including pineapples and melons) except for oranges, grapefruit and tangerines. Oil found in these skins tastes bitter and is difficult to digest.

- Remove melon seeds, when possible, as they may escape through top of feed tube when juicing. Pits of fruits such as cherries, pears and peaches should also be removed.
- Your juicer is designed to make juicing easier with an oversized feed tube to accommodate larger produce, so you may feed most whole apples and oranges, tangerines, ginger, beets, pineapple or melons. Make sure produce can be fed comfortably into feed tube. Use food pusher to gently direct produce through feed tube.

Caution: Never push produce into feed tube with your fingers.

- Leafy greens, parsley, wheat grass and sprouts should be bunched up into a small, tight ball and pushed through with food pusher.
- Bananas are not suitable for juicing; clear juice cannot be obtained, and residue left in the machine can clog micromesh filter screen.
- Produce such as apricots, plums, pears, peaches and tomatoes should be firm, for best results when juicing.

How to Use

1. Make sure juicer is completely and properly assembled (see ASSEMBLY INSTRUCTIONS). Filter basket should be securely seated and pulp basket should be in place at the rear of juicer, ready to catch pulp.

Tip: To reduce cleaning time, line pulp basket with a plastic produce bag (the kind you put your produce in at the grocery store).

2. Place juice pitcher underneath juice spout.
3. Plug juicer into a standard electrical outlet.
4. Slide the control switch to the desired speed setting (LOW (1) or HIGH (2)) and begin juicing.

Important: Juicer will not operate if lid locking lever is not properly engaged.

Note: You may alternate between speeds while juicing, depending on the appropriate settings for the various products being juiced (see SPEED SELECTION).

5. Remove food pusher from feed tube.
6. With motor running, place produce into feed tube.
7. Reinsert food pusher into feed tube by aligning the groove on the food pusher with the ridge inside the feed tube.
8. Use food pusher to gently direct food down feed tube.

Note: To extract the maximum amount of juice, press down gently on food pusher. Do not force down.

Tip: Try alternating types of produce being juiced to ensure maximum efficiency.

- Once you have finished juicing, turn control switch to OFF (0). Be sure to unplug juicer from the outlet, when not in use.

Tips for optimum juicing

<p>To avoid excessive pulp buildup on the inside of the lid...</p>	<p>Try juicing slower, as wet produce is more likely to build up on the lid. To release pulp, lightly tap on side of lid. Always empty pulp basket when it becomes full. This will also help prevent pulp from leaking into juice.</p>
<p>If excessive noise or vibrations occur once juicer is turned on...</p>	<p>Pulp may have built up on filter basket. Clean filter basket and try alternating different types of produce while juicing. Note: Due to its powerful motor, a small amount of noise and/or vibration is normal when juicer is turned on, and as it comes to a complete stop. All juicers will sound slightly different.</p>
<p>To manage the amount of spray as juice pours out the juice spout...</p>	<p>Juice produce as slowly as possible to avoid excess pulp buildup inside the lid and juice bowl. Keep pulp basket emptied for good air flow through the machine.</p>

Assembly Instructions

(For your reference, please refer to the assembly illustration on page 4.)

Important: Always make sure juicer is unplugged before starting to assemble.

Step 1: Place juice bowl

Position the juice bowl over the motor base with the juice spout to the right. Lower juice bowl onto motor base so that juice spout slides through the oval ring on the motor base.

Step 2: Place filter basket

With both hands, grasp rim of filter basket and center it over motor base hub inside the juice bowl. Carefully lower filter basket onto hub, rotating slightly until it drops into place; press firmly down on rim of filter basket to secure (be sure to apply equal pressure to both sides of filter basket, to ensure proper seating). When seated properly, filter basket will spin freely and will not lift out of the juice bowl.

Step 3: Place lid

Place lid on juice bowl so that the pulp ejection opening is positioned over the pulp spout.

Step 4: Attach feed tube

Center feed tube over lid opening so that the safety lock hook on the feed tube is slightly right of the arrow on the lid. Insert the three tabs located around bottom of the feed tube into three corresponding slots in the lid opening. Rotate feed tube counterclockwise until safety lock tab on feed tube aligns with the arrow on lid.

Step 5: Secure lid locking lever

While pressing down on safety lock button, swing lid locking lever upward until safety lock hook on the feed tube is engaged. Once the lid locking lever is fastened in place, release the safety lock button.

Important: Juicer will not operate if the lid locking lever is not properly attached.

Step 6: Position pulp basket

Slightly tilt pulp basket and place it directly beneath the pulp ejection opening. Push the bottom of pulp basket inward so top edge slides up, behind the pulp spout. Continue to press firmly on the bottom of the pulp basket until it fits snugly against the motor base. When correctly positioned, pulp basket will be completely covered by the lid.

Important: Juicer will not operate if the pulp basket is not properly placed against the motor base.

Step 7: Place juice pitcher

Slide froth separator into juice pitcher, then position pitcher beneath the juice spout. Be sure that the juice spout empties into the larger opening in the pitcher lid.

Storing & inserting food pusher

Store food pusher in feed tube until you are ready to juice. To insert, rotate food pusher until the groove in the food pusher is properly aligned with the ridge in the feed tube.

Disassembly Instructions

Important: Always make sure the juicer is unplugged before starting to disassemble.

Step 1: Release lid locking lever

While pressing down on safety lock button, swing lid locking lever away from feed tube. Release safety lock button.

Step 2: Remove lid

Grasp lid by the feed tube and lift to remove from juice bowl. Make sure to hold food pusher in place if it is being stored inside the feed tube, or – for easier cleaning – unlock feed tube by rotating clockwise and remove from the lid.

Step 3: Remove pulp basket

Grasp bottom of the pulp basket and pull it away from juicer, tilting slightly to release it from behind the pulp ejection spout.

Step 4: Remove juice bowl

Grasp sides of juice bowl with both hands. With filter basket still inside, carefully lift juice bowl off motor base, rotating slightly if necessary. The filter basket can then be removed from the juice bowl for cleaning.

Caution: Cutting blades are extremely sharp! Use care when handling filter basket.

Care and Cleaning

Important: Always unplug juicer from the outlet before assembly or disassembly, and before cleaning.

This appliance requires little maintenance.

CLEANING YOUR JUICER

Juicer should be cleaned after every use.

1. Using a sponge or damp cloth, clean motor base, rubber feet and underside of juicer. Use a damp toothbrush or cloth to clean juice from the inside the motor base hub (on top of motor base).

Important: Do not immerse motor base in water, or spray with water. Clean only by wiping with a damp sponge, cloth or paper towel.

2. All juicer parts – except motor base – are washable in warm, soapy water, using any mild liquid dishwashing detergent. Do not use any products containing ammonia or scouring powders, as these can dull, scratch or mar the surface.

3. Use cleaning brush provided to scrub lid and juice bowl. Do not use metal brushes or pads.

4. To properly clean food pusher, remove circular cap in the cover of the food pusher. To remove, grasp cap and lift directly out of food pusher, using the notch for leverage. Once parts are dry, replace cap.

5. To clean filter basket, use cleaning brush provided to make sure tiny holes in mesh filter are not clogged. This can be accomplished by holding filter basket under a running faucet while brushing the mesh filter screen from both inside and outside of filter basket.

Note: Occasionally any removable parts may be washed in a dishwasher, ONLY if they are placed on the top shelf. Washing in warm, soapy water after each use, however, should be sufficient.

Tip: Pulp from pulp basket can be used in many different ways: making breads, muffins, cakes, soup stocks, compressed facial packs and garden compost material.

REMOVING TOUGH STAINS

Due to powerful staining properties of carotenoids found in many vegetables, particularly carrots, we suggest soaking any stained parts overnight in one of the following solutions:

- Biodegradable soap in enough warm water to cover juicer parts
- ¼ cup bleach added to a sink full of warm water
- 1 part warm water to 1 part cider vinegar
- ½ small box of baking soda in enough warm water to cover juicer parts.

NEVER USE AMMONIA OR ABRASIVES!

After soaking overnight, lightly scrub with soft bristle brush and liquid detergent.

Important: Never submerge motor base in water or any other liquid!

STORAGE

Store your juicer in its box, or in a clean, dry place. Never store juicer while it is still plugged in.

Never wrap cord tightly around the appliance. Do not put any stress on cord where it enters juicer, as this could cause cord to fray and break.

OVERHEAT PROTECTION SYSTEM

Important: This appliance contains a PTC overheat protection system. When the appliance is being operated for too long or with too much load, the PTC protector will shut down the power of the appliance to protect the unit. If the power shuts down, unplug for 15 minutes and plug in for normal operation.

Por favor lea todas las instrucciones y conserve el manual de uso y cuidado

INSTRUCCIONES IMPORTANTES DE SEGURIDAD

Cuando se usan aparatos eléctricos, siempre se deben respetar las siguientes medidas básicas de seguridad:

- Por favor lea todas las instrucciones.
- A fin de protegerse contra el riesgo de un choque eléctrico, no sumerja el cable, los enchufes ni el aparato en agua ni en ningún otro líquido.
- Todo aparato eléctrico usado en la presencia de los niños o por ellos mismos requiere la supervisión de un adulto.
- Desconecte el aparato de la toma de corriente cuando no esté en uso, antes de instalarle o retirarle piezas y antes de limpiarlo.
- Evite el contacto con las piezas móviles.
- No use ningún aparato eléctrico que tenga el cable o el enchufe averiado, que presente un problema de funcionamiento o que esté dañado. Acuda a un centro de servicio autorizado para que lo examinen, reparen o ajusten o llame gratis al número correspondiente en la cubierta de este manual.
- El uso de accesorios no recomendados por el fabricante del aparato puede ocasionar incendio, choque eléctrico o lesiones.
- No use este aparato a la intemperie.
- No permita que el cable cuelgue del borde de la mesa o del mostrador ni que entre en contacto con las superficies calientes.
- Asegúrese que la tapa del exprimidor de jugo esté bien asegurada antes de encender el motor. No desenganche las aldabas mientras el exprimidor está en funcionamiento.
- Después de usar el exprimidor, siempre asegúrese de ajustar el interruptor a la posición de apagado (0). Asegúrese que el motor pare del todo antes de desmontar el aparato.

- Mientras el exprimidor está en funcionamiento, no introduzca los dedos ni otros objetos en las aperturas del aparato. Si un alimento se llegara a trabar en la apertura, use el empujador o un pedazo de fruta o vegetal para empujarlo. Si este método no funciona, apague el motor y desmonte el exprimidor para retirar el alimento trabado.
- No use el aparato si el tamiz giratorio está dañado.

CONSERVE ESTAS INSTRUCCIONES.

Este aparato eléctrico es para uso doméstico únicamente.

INSTRUCCIONES DE SEGURIDAD ADICIONALES

- Todo usuario debe leer y comprender el manual de uso y cuidado del propietario antes de usar o limpiar este aparato.
- No desatienda este aparato mientras está en funcionamiento.
- Si este aparato no funciona bien, coloque el botón de encendido/apagado en OFF (0) y desconecte el cable de inmediato. No use el aparato ni trate de repararlo personalmente.
- Si este aparato cae o es sumergido accidentalmente en agua o cualquier otro líquido, desconéctelo de inmediato. **¡No alcance para sacarlo del agua!** No use este aparato si se ha caído o ha sido sumergido en agua.
- Para reducir el riesgo de daños a las personas o propiedad, nunca use este aparato en una posición inestable.
- Use este aparato únicamente con el fin previsto.

ENCHUFE POLARIZADO (modelos de 120V únicamente)

Este aparato tiene un enchufe polarizado (un contacto es más ancho que el otro). Para reducir el riesgo de un choque eléctrico, este enchufe encaja en una toma de corriente polarizada en un solo sentido. Si tiene dificultad para conectarlo en la toma de corriente, invierta el enchufe e intente de nuevo. Si aun así no logra enchufarlo, busque la ayuda de un electricista. No trate de alterar esta medida de seguridad, modificando el enchufe de ninguna manera.

CABLE ELÉCTRICO CORTO

El producto trae un cable corto para reducir el riesgo de enredarse o de tropezar con un cable largo. No se recomienda el uso de extensiones eléctricas con este producto.

ADVERTENCIA SOBRE EL PLASTIFICANTE

Advertencia: Para evitar que el plastificante migre de ciertas superficies de los mostradores, mesas u otros muebles, coloque protectores NO PLÁSTICOS o manteles individuales entre el aparato y la superficie del mostrador o la mesa.

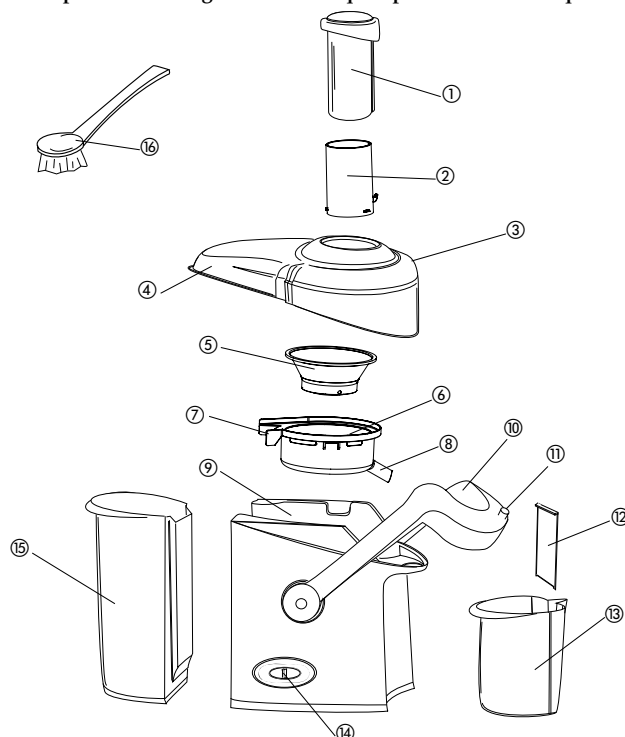
La falta de protección puede oscurecer u ocasionar manchas permanentes en el acabado de las superficies.

POTENCIA ELÉCTRICA

Si el circuito está sobrecargado con otros aparatos, el producto podría no funcionar apropiadamente. Este producto debe ser enchufado sin otros aparatos conectados a la misma toma de corriente.

Conocimiento del producto

El producto puede variar ligeramente del que aparece ilustrado aquí.



- | | |
|--|---|
| + 1. Empujador de alimentos
(Pieza N° JM300-01) | 10. Aldabas de cierre de la tapa |
| + 2. Conducto de alimentación
(Pieza N° M300-02) | 11. Botón de seguro |
| + 3. Tapa (Pieza N° JM300-03) | + 12. Separador de espuma
(Pieza N° JM300-06) |
| 4. Apertura para desechar la pulpa | + 13. Jarra para jugo con
(Pieza N° JM300-07) |
| + 5. Filtro de acero inoxidable
(Pieza N° JM300-04) | 14. Control switch |
| + 6. Recipiente para el jugo
(Pieza N° JM300-05) | + 15. Cesta para la pulpa
(Pieza N° JM300-08) |
| 7. Boquilla para la pulpa | + 16. Cepillo de limpiar
(Pieza N° JM300-09) |
| 8. Boquilla de verter jugo | Nota: † indica piezas desmontables/
reemplazables por el consumidor |
| 9. Base del motor | |

Selección de velocidad

El extractor de jugo tiene dos opciones de velocidad: baja (1) y alta (2). Estas dos velocidades aseguran el nivel óptimo de RPM, para la máxima eficiencia (la eficiencia describe la cantidad de jugo extraído del producto). Las velocidades se seleccionan con simplemente deslizar el interruptor de control al nivel deseado.

VELOCIDAD ALTA (2)

Indicada para los productos más duros como las zanahorias, raíz de jengibre, remolachas y piña (con cáscara).

VELOCIDAD BAJA (1)

Apta para los productos más blandos como los cítricos, manzanas, uvas (con tallo), melones, duraznos (sin semilla) y tomates. También se recomienda para el producto que ha madurado y está blando.

APAGADO (0)

Interrumpe o apaga el extractor de jugo

Antes de utilizar

Su exprimidor viene parcialmente ensamblado dentro de la caja. Desarme y lave las partes removibles en agua tibia con detergente líquido, poco abrasivo y biodegradable antes del primero uso. Esto elimina cualquier residuo de polvo debido a fabricación y envío.

Nota: Asegúrese de retirar todo material de empaque protector antes de utilizar su exprimidor.

Advertencia: Nunca sumerja ni enjuague la base del motor con agua ni cualquier otro líquido.

Consulte las instrucciones de cómo armar y desarmar. Asegúrese que el exprimidor esté completa y debidamente armado antes de usarlo. El exprimidor no funciona a menos que esté bien ensamblado.

Preparación

Como preparar las frutas y los vegetales para extraer el jugo.

- Limpie bien los productos con un cepillo de cerdas naturales. Si no se trata de productos orgánicos, se recomienda limpiadores biodegradables para remover los residuos de los pesticidas.
- Retire y deseche las hojas exteriores de los productos no orgánicos, cáscaras o superficies enceradas.
- Recorte toda sección descolorada o magullada.
- Extraiga el jugo de la mayoría de los productos con todo y piel (incluyendo piña y melones), exceptuando las naranjas, toronjas o mandarinas. Los aceites de la cáscara de estas frutas son amargos y difíciles de digerir.

- Quite las semillas de los melones cuando sea posible, para evitar que pasen a través del conducto de alimentación. Igualmente, se recomienda quitar las semillas de las cerezas, peras y duraznos.
- Diseñado para extraer jugos fácilmente, cuenta con un conducto de abertura grande para acomodar productos tales como la mayoría de las manzanas enteras, naranjas, mandarinas, jengibre, remolachas, piña o melones. Asegúrese de que el producto se pueda acomodar bien de manera que pase por el conducto para alimentos. Use el empujador de alimentos sólo para dirigir ligeramente el producto por el conducto para alimentos.

Advertencia: Nunca use los dedos para alimentar los productos.

- Los vegetales con hojas, el perejil, hierba de trigo y brotes de soya deben ser recogidos en una bola y presionados junto a una zanahoria o contra el empujador.
- No se recomienda la extracción de jugo de banano; este aparato es incapaz de extraer un jugo claro de los bananos y el residuo de tales, puede obstruir el tamiz de micro malla.
- Los productos como los albaricoques, ciruelas, peras, duraznos y tomates deben estar firmes para mejores resultados.

Como usar

1. Asegúrese que el exprimidor esté debidamente armado antes de usar. (Consulte las instrucciones de ensamblado.) La cesta del filtro debe encajar y el recolector de pulpa estar en la parte trasera del extractor para acumular la pulpa debidamente.

Consejo: Para recortar el tiempo de limpieza, use una bolsa plástica para forrar la cesta para la pulpa. (Como las que se usan para verduras en los supermercados.)

2. Coloque la jarra debajo de la boquilla para el jugo.
3. Conecte el exprimidor a una toma de corriente estándar.
4. Deslice el interruptor de control hasta la velocidad que desee (BAJA (1) o ALTA (2)) y comience a extraer jugo.

Importante: El exprimidor no funciona si la aldaba de cierre no está debidamente encajada.

Nota: Puede alternar entre velocidades mientras exprime jugo, dependiendo de cual es apropiada para los varios productos. (Ver, SELECCIÓN DE VELOCIDAD).

5. Retire el empujador del conducto de alimentación.
6. Con el motor encendido, coloque producto dentro del conducto de alimentación.

7. Vuelva a colocar el empujador en el conducto de alimentación alineando la ranura en el empujador con la pestaña dentro del conducto de alimentación.
 8. Use el empujador para guiar los alimentos cuidadosamente por el conducto.
- Nota:** Para extraer el jugo al máximo, presione el empujador ligeramente hacia abajo. No lo fuerce hacia abajo.
- Consejo:** Alterne los tipos de productos para asegurar máxima eficiencia.
9. Cuando termine de extraer el jugo, gire la perilla de control a la posición de apagado (0). Asegúrese de desconectar el aparato de la toma de corriente cuando no esté en uso.

Consejos para exprimir jugos de primera

<p>Para evitar que la pulpa se acumule excesivamente en el interior de la tapa del extractor...</p>	<p>Procure exprimir el jugo más despacio, ya que los frutos húmedos tienden a acumularse en la tapa. Para desprender la pulpa, golpee ligeramente el costado de la tapa. Vacíe el recolector de pulpa cuando esté lleno. Esto evita que la pulpa caiga dentro del jugo.</p>
<p>Si el aparato produce demasiado ruido o vibración después de encenderlo...</p>	<p>Se pudo haber acumulado pulpa en el cesto de la cuchilla. Limpie la cuchilla y ensaye, exprimiendo distintos tipos de frutos.</p> <p>Nota: Debido a la gran potencia del motor del extractor Juiceman®, es normal que el aparato produzca cierta cantidad de ruido y (o) vibración al encender o apagarlo. Todos los extractores de jugo producen diferente ruido.</p>
<p>Para controlar las salpicaduras a medida que el jugo pasa por la boquilla...</p>	<p>Exprima despacio para que el cesto de la cuchilla no se llene de jugo demasiado rápido. Mantenga vacío el recipiente de la pulpa para mejor flujo de aire a través del aparato.</p>

Como armar el aparato

(Para su referencia, vea la ilustración en la página 15.)

Importante: Asegúrese de que el exprimidor esté desconectado antes de desarmarlo.

Primer paso: Coloque el recipiente para jugo

Coloque el recipiente para el jugo sobre la base del motor con la boquilla hacia la derecha. Encaje el recipiente sobre la base del motor de manera que la boquilla para el jugo se deslice a través del aro ovalado en la base.

Segundo paso: Coloque el cesto de la cuchilla

Tome el borde del cesto de la cuchilla con ambas manos y coloque sobre el eje del motor dentro del recipiente para jugo. Baje con cuidado el cesto de la cuchilla sobre el eje, girando ligeramente hasta que encaje en su lugar; presione el borde del cesto firmemente para asegurarlo. (Aplique presión uniforme por ambos lados del cesto para asegurar que encaje bien).

El cesto gira libremente y no se sale del recipiente para jugo cuando encaja bien.

Tercer paso: Coloque la tapa

Coloque la tapa del extractor sobre el recipiente para el jugo de manera que la abertura para salida de la pulpa quede sobre la boquilla.

Cuarto paso: Conecte el conducto de alimentación

Coloque el conducto de alimentación sobre la abertura de la tapa, centrándolo de manera que el gancho de cierre en el conducto esté ligeramente hacia la derecha de la flecha en la tapa. Inserte las tres guías ubicadas alrededor de la parte inferior del conducto, dentro de las ranuras correspondientes en la abertura de la tapa. Gire el conducto de alimentación hacia la izquierda hasta que la guía de cierre quede alineada con la flecha en la tapa.

Quinto paso: Asegure la palanca de cierre

Mientras presiona hacia abajo el botón de seguro, eleve la aldaba de cierre hasta que el gancho de seguro encaje en el conducto de alimentación. Una vez que la aldaba de cierre esté fija, suelte el botón del seguro.

Importante: El exprimidor no funciona si la aldaba de cierre de la tapa no está enganchada debidamente.

Sexto paso: Coloque la cesta para pulpa

Incline ligeramente la cesta para la pulpa y colóquela directamente bajo la apertura de expulsión de pulpa. Empuje el fondo de la cesta hacia adentro de manera que el borde superior se deslice hacia arriba detrás de la boquilla para la pulpa. Continúe presionando firmemente hasta que encaje cómodamente contra la base del motor. La cesta para la pulpa queda completamente cubierta por la tapa cuando encaja bien.

Importante: El exprimidor no funcionará si la cesta de pulpa no encaja firmemente en la base del motor.

Séptimo paso: Coloque la jarra para el jugo

Deslice el separador de espuma adentro de la jarra para jugo, luego coloque la jarra debajo de la boquilla para el jugo. Asegúrese que el jugo caiga en la apertura más grande de la tapa de la jarra.

Como colocar y guardar el empujador de alimentos

Almacene el empujador de alimentos en el conducto de alimentación hasta que vaya a exprimir jugo. Gire el empujador de alimentos hasta que la ranura en el empujador esté alineada con la pestaña dentro del conducto de alimentación.

Como desarmar el exprimidor

Importante: Asegúrese de que el exprimidor esté desconectado antes de desarmarlo.

Primer paso: Suelte la aldaba de cierre de la tapa

Mientras presiona hacia abajo el botón de seguridad, eleve la aldaba de cierre fuera del conducto para alimentos. Suelte el botón de seguridad.

Segundo paso: Retire la tapa

Agarre la tapa por el conducto de alimentos y levántela para retirarla del contenedor para el jugo. Asegúrese de mantener el empujador de alimentos en su lugar si lo almacena adentro del conducto, o para limpiar con mayor facilidad, abra el conducto, girándolo hacia la derecha y retírelo de la tapa.

Tercer paso: Retire la cesta para la pulpa

Agarre el fondo de la cesta para la pulpa y quítela del exprimidor, inclinándola ligeramente para liberarla de atrás de la boquilla para pulpa.

Cuarto paso: Retire el recipiente para jugo

Sujete el borde del recipiente para jugo con ambas manos. Con el cesto de la cuchilla siempre adentro, levante el recipiente de jugo de la base del motor, girándolo ligeramente si es necesario. Retire el recipiente para lavarlo.

Advertencia: ¡Las cuchillas permanecen sumamente afiladas! Tenga cuidado cuando maneje la cesta de la cuchilla.

Cuidado y limpieza

Importante: Siempre desconecte el exprimidor de la toma de corriente antes de armarlo, desarmarlo o limpiarlo.

Este aparato requiere poco mantenimiento y no contiene piezas reparables por el consumidor.

LIMPIEZA DEL EXTRACTOR DE JUGO

Lave el exprimidor después de cada uso.

1. Use una esponja o paño húmedo para limpiar la base del motor, patas de goma y debajo de la base del aparato. Use un cepillo de dientes o un paño humedecido para limpiar cualquier residuo de jugo en la parte superior del eje del motor.

Importante: No sumerja ni rocíe la base del motor con agua. Límpiela con una esponja, paño o toalla de papel humedecidos.

2. Todas las piezas (excepto la base del motor) se pueden lavar con agua tibia, jabonada. Use cualquier detergente líquido para vajilla, pero no use productos abrasivos en polvo ni con amoníaco. Estos productos pueden deslustrar, rallar o estropear la superficie plástica.

3. Use el cepillo provisto para limpiar la tapa y el recipiente para jugo. No use cepillos ni almohadillas de metal.

4. Retire el tapón circular de la tapa del empujador de alimentos. Tome el tapón y levántelo de la tapa usando la muesca como palanca. Vuelva a colocar el tapón una vez que las piezas estén secas.

5. Cuando limpie el cesto de la cuchilla, use el cepillo para asegurarse que los orificios pequeñitos no queden obstruidos. Sujete el cesto debajo de la llave del fregadero y cepíllelo bien por dentro y por fuera.

Nota: De vez en cuando, las partes removibles se pueden lavar en la máquina lavaplatos, pero **solamente** en la bandeja superior. Sin embargo, lavar estas piezas con agua tibia jabonada después de cada uso, es suficiente.

Consejo: La pulpa de la cesta puede ser utilizada en muchas maneras diferentes: haciendo panes, panecillos, bizcochos, sopa, compresas faciales y materia de abono para jardín.

COMO ELIMINAR LAS MANCHAS PERSISTENTES

Debido a las manchas persistentes que pueden resultar del caroteno de ciertos vegetales, especialmente de las zanahorias, se recomienda remojar cualquier parte manchada en una de las siguientes soluciones:

- Suficiente jabón biodegradable en agua tibia como para cubrir las piezas del exprimidor

- ¼ de taza de blanqueador en proporción al fregadero lleno de agua tibia
- 1 parte de agua tibia por 1 parte de vinagre de cidra
- ½ caja de bicarbonato de soda en suficiente agua tibia como para cubrir todas las piezas.

¡Nunca use amoníaco ni abrasivos!

Después de remojar, limpie ligeramente con un cepillo de cerdas suaves y detergente líquido.

Importante: ¡Nunca sumerja la base del motor en agua ni en ningún otro líquido!

ALMACENAJE

Guarde el exprimidor dentro de la caja original de empaque, o en un sitio limpio y seco. Nunca lo guarde mientras está enchufado.

Nunca enrolle el cable ajustadamente en torno al aparato. Para evitar que el cable se debilite y se rompa, no aplique tensión a la unión del cable con el aparato.

SISTEMA DE PROTECCIÓN CONTRA RECALENTAMIENTO

Importante: Este electrodoméstico contiene un sistema de protección contra recalentamiento PTC. Cuando el electrodoméstico está en funcionamiento por tiempo excesivo o con carga excesiva, el protector PTC apagará la electricidad de la unidad para protegerla. Si la electricidad se apaga, desenchufe la unidad por 15 minutos y enchúfela de nuevo para funcionamiento normal.

NEED HELP?

For service, repair or any questions regarding your appliance, call the appropriate 800 number on the cover of this book. **DO NOT** return the product to the place of purchase. Also, please **DO NOT** mail product back to the manufacturer, nor bring it to a service center. You may also want to consult the website listed on the cover of this manual.

One-Year Limited Warranty (Applies only in the United States and Canada)

What does it cover?

- Any defect in material or workmanship; provided; however, Applicia's liability will not exceed the purchase price of the product.

For how long?

- One year after the date of original purchase.

What will we do to help you?

- Provide you with a reasonably similar replacement product that is either new or factory refurbished.

How do you get service?

- Save your receipt as proof of the date of sale.
- Check our on-line service site at www.prodprotect.com/applicia, or call our toll-free number, 1-800-231-9786, for general warranty service.
- If you need parts or accessories, please call 1-800-738-0245.

What does your warranty not cover?

- Damage from commercial use
- Damage from misuse, abuse or neglect
- Products that have been modified in any way
- Products used or serviced outside the country of purchase
- Glass parts and other accessory items that are packed with the unit
- Shipping and handling costs associated with the replacement of the unit
- Consequential or incidental damages (Please note, however, that some states do not allow the exclusion or limitation of consequential or incidental damages, so this limitation may not apply to you.)

How does state law relate to this warranty?

- This warranty gives you specific legal rights, and you may also have other rights that vary from state to state or province to province.

¿NECESITA AYUDA?

Para servicio, reparaciones o preguntas relacionadas al producto, por favor llame al número del centro de servicio en el país donde usted compró su producto. **NO** devuelva el producto al fabricante. Llame o lleve el producto a un centro de servicio autorizado.

UN AÑO DE GARANTÍA LIMITADA (No aplica en México, Estados Unidos o Canadá)

¿Qué cubre la garantía?

- La garantía cubre cualquier defecto de materiales o de mano de obra. Applicia no se responsabiliza por ningún costo que exceda el valor de compra del producto.

¿Por cuánto tiempo es válida la garantía?

- Por un año a partir de la fecha original de compra.

¿Cómo se puede obtener servicio?

- Conserve el recibo original de compra.
- Por favor llame al número del centro de servicio autorizado.

Esta garantía no cubre:

- Los productos que han sido utilizados en condiciones distintas a las normales
- Los daños ocasionados por el mal uso, el abuso o negligencia
- Los productos que han sido alterados de alguna manera
- Los daños ocasionados por el uso comercial del producto
- Los productos utilizados o reparados fuera del país original de compra
- Las piezas de vidrio y demás accesorios empacados con el aparato
- Los gastos de tramitación y embarque asociados al reemplazo del producto
- Los daños y perjuicios indirectos o incidentales



R12008/12-12-37E/S

Copyright © 2008 - 2009 Applica Consumer Products, Inc.

Made in People's Republic of China
Printed in People's Republic of China

Fabricado en la República Popular de China
Impreso en la República Popular de China