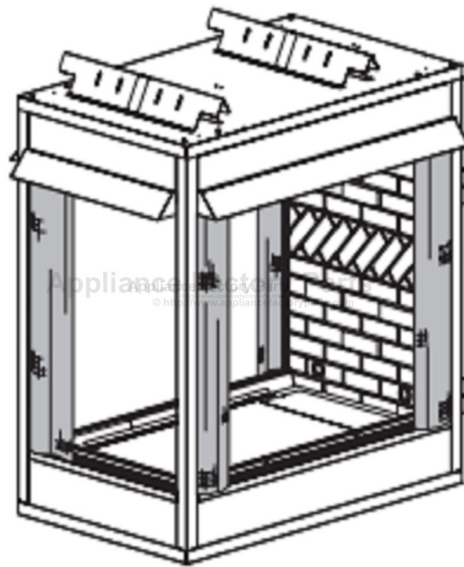


This Owner's Manual is provided and hosted by [Appliance Factory Parts](#).



American Hearth VFP36PB2EL-4 Owner's Manual

[Shop genuine replacement parts for American Hearth
VFP36PB2EL-4](#)



[Find Your American Hearth Fireplace Parts - Select From 88 Models](#)

----- Manual continues below -----



SINCE 1932

INSTALLATION INSTRUCTIONS AND OWNER'S MANUAL

INSTALLER:

Leave this manual with the appliance.

CONSUMER:

Retain this manual for future reference.

⚠ WARNING

FIRE OR EXPLOSION HAZARD

Failure to follow safety warnings exactly could result in serious injury, death or property damage.

- Do not store or use gasoline or other flammable vapors and liquids in the vicinity of this or any other appliance.
- **WHAT TO DO IF YOU SMELL GAS**
 - Do not try to light any appliance.
 - Do not touch any electrical switch; do not use any phone in your building.
 - Leave the building immediately.
 - Immediately call your gas supplier from a neighbor's phone. Follow the gas supplier's instructions.
 - If you cannot reach your gas supplier, call the fire department.
- Installation and service must be performed by a qualified installer, service agency or the gas supplier.

Do not attempt to modify or alter the construction of the firebox or its components. Any modification or alteration of construction may void the warranty of this firebox. Children and adults should be alerted to the hazards of high surface temperature and should stay away to avoid burns or clothing ignition. Young children should be carefully supervised when they are in the same room as the firebox.

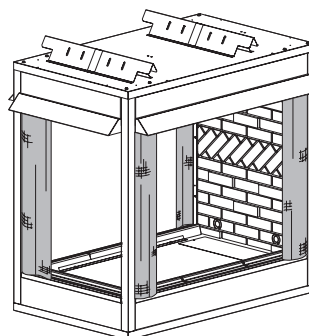
PREMIUM UNIVERSAL FIREBOX FOR ALL VENT-FREE LOG SETS

SEE-THROUGH FIREBOX MODELS:

VFP36SB2E(L,F)-4

PENINSULA FIREBOX MODELS:

VFP36PB2E(L,F)-4



GAS-FIRED



LISTED

UL FILE NO. MH30033

⚠ WARNING

Improper installation, adjustment, alteration, service or maintenance can cause injury or property damage. Refer to this manual. For assistance or additional information, consult a qualified installer, service agency or the gas supplier.

Carefully review the instructions supplied with the decorative type unvented room heater for the minimum fireplace size requirement.

Do not install a vent-free log set in this firebox, unless the firebox meets the minimum dimensions required for the installation.

For use only with a listed gas-fired unvented decorative room heater not to exceed 40,000 btu/h. DO NOT build a wood fire.

⚠ WARNING



HOT GLASS WILL CAUSE BURNS. DO NOT TOUCH GLASS UNTIL COOLED. NEVER ALLOW CHILDREN TO TOUCH GLASS.

ANSI Z21.91 Ventless Fireplace Enclosures for use with any ANSI Z21.11.2 Gas Fired Decorative Type Unvented Room Heaters



CERTIFIED
www.nficertified.org

We suggest that our gas hearth products be installed and serviced by professionals who are certified in the U.S. by the National Fireplace Institute® (NFI) as NFI Gas Specialist.

TABLE OF CONTENTS

SECTION	PAGE
Important Safety Information	3
Introduction.....	3
Clearances	4 - 5
Firebox Installation Instructions.....	6 - 9
Installing Hood.....	9 - 10
Gas Line Connection.....	10
Wiring Instructions for Installing a Dual Switch / Receptacle	11
LK2 Accent Light Accessory	11
Optional Single Speed Blower Installation Instructions.....	12 - 14
Maintenance.....	14
Parts List	16
See-Through Firebox Parts View	17
Peninsula Firebox Parts View	18
Accessories	20 - 21
Master Parts Distributor List.....	22
How To Order Repair Parts	22
Appliance Service History	23
Warranty.....	24

IMPORTANT SAFETY INFORMATION

The installation must conform with local codes or, in the absence of local codes, with the National Fuel Gas Code, ANSI Z223.1 (latest edition) and to the National electrical Code, ANSI/NFPA70 (latest edition).

NOTE: Installation and repair should be done by a qualified service person. The appliance should be inspected before use and at least annually by a qualified service person. More frequent cleaning may be required due to excessive lint from carpeting, bedding material, etc. It is imperative that control compartment, burners and circulating air passageways of the appliance be kept clean.

Any safety screen or guard removed for servicing an appliance must be replaced prior to operating the appliance. Provide adequate combustion and ventilation air.

The flow of combustion and ventilation air **MUST NOT** be obstructed.

Provide adequate clearance around air openings into the combustion chamber and adequate accessibility clearance for servicing and proper operation. **NEVER** obstruct the front opening of the appliance.

This Empire Comfort Systems Inc. firebox and its components have been tested and will operate safely when installed in accordance with this installation manual. Read all instructions before starting installation, then follow these instructions carefully during installation to maximize firebox benefit and safety. Report to your dealer any parts damaged in shipment.

The Empire Comfort Systems Inc. warranty will be voided by, and Empire Comfort Systems Inc. disclaims any responsibility for the following actions:

- Installation of any damaged firebox.
- Modification of the firebox or any of the components parts thereof.
- Installation other than as instructed by Empire Comfort Systems Inc.

- Installation and/or use of any component part or accessory not approved by Empire Comfort Systems Inc. in combination or assembly with a Empire Comfort Systems Inc. firebox, notwithstanding any independent testing laboratory or other third party approval of such component part or accessory.

Any such action may create a possible fire hazard. Consult your local building codes.

Firebox Screen.

The firebox screen must be in place when the firebox is operating.

INTRODUCTION

Instructions to Installer

1. Installer must leave instruction manual with owner after installation.
2. Installer must have owner fill out and mail warranty card supplied with firebox.
3. Installer should show owner how to start and operate log set that is installed into firebox.

Important

All correspondence should refer to complete Model Number, Serial Number.

Notice: During initial firing of this firebox with a log set installed, its paint will bake out, and smoke will occur. To prevent triggering of smoke alarms, ventilate the room in which the unit is installed.

Qualified Installing Agency

Installation and replacement of gas piping, gas utilization equipment or accessories and repair and servicing of equipment shall be performed only by a qualified agency. The term "qualified agency" means any individual, firm, corporation or company which either in person or through a representative is engaged in and is responsible for (a) the installation or replacement of gas piping or (b) the

connection, installation, repair or servicing of equipment, who is experienced in such work, familiar with all precautions required and has complied with all the requirements of the authority having jurisdiction.

Commonwealth of Massachusetts: The installation must be made by a licensed plumber or gas fitter in the Commonwealth of Massachusetts. The state of Massachusetts requires that a flexible appliance connector cannot exceed three feet in length.

Sellers of unvented propane or natural gas-fired supplemental room heaters shall provide to each purchaser a copy of 527 CMR 30 upon sale of the unit.

In the Commonwealth of Massachusetts, unvented Propane and Natural Gas-fired space heaters shall be prohibited in bedrooms and bathrooms.

The installation must conform with local codes or, in the absence of local codes, with the National Fuel Gas Code, ANSI Z223.1/NFPA 54.*

*Available from the American National Standards Institute, Inc., 11 West 42nd St., New York, N.Y. 10036.

CLEARANCES

Sidewall Clearances: The clearance from the inside of the firebox to perpendicular combustible side wall should not be less than 1 3/4". See Figures 1a and 1b.

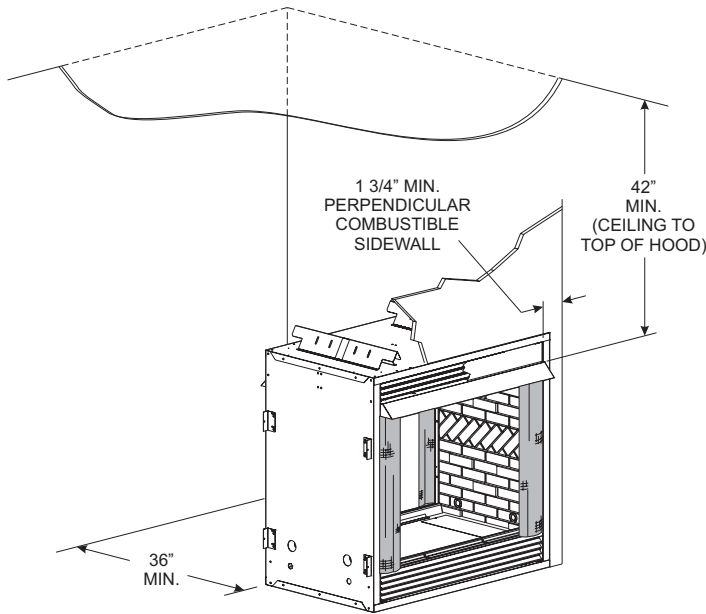


Figure 1a - See Through Firebox Clearances

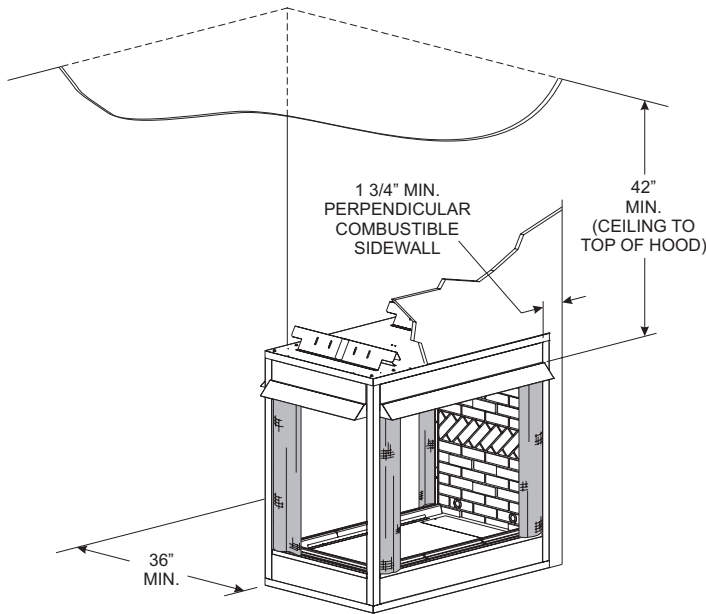


Figure 1b - Peninsula Firebox Clearances

Combustible material clearance from front of firebox: 36" minimum

Firebox Side and Back Clearances: The firebox outer casing side(s) require a minimum 1/2" clearance to combustibles.

Top Framing and Finishing: Combustible framing may rest on top of standoffs. Combustible finishing materials may extend to the top standoff screws on the front edge of the top outer wrap. See Figures 2a and 2b.

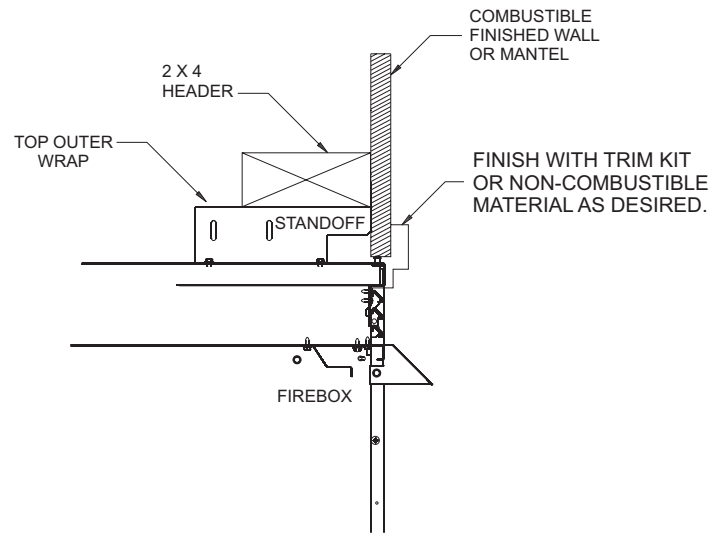


Figure 2a - Louvered Models

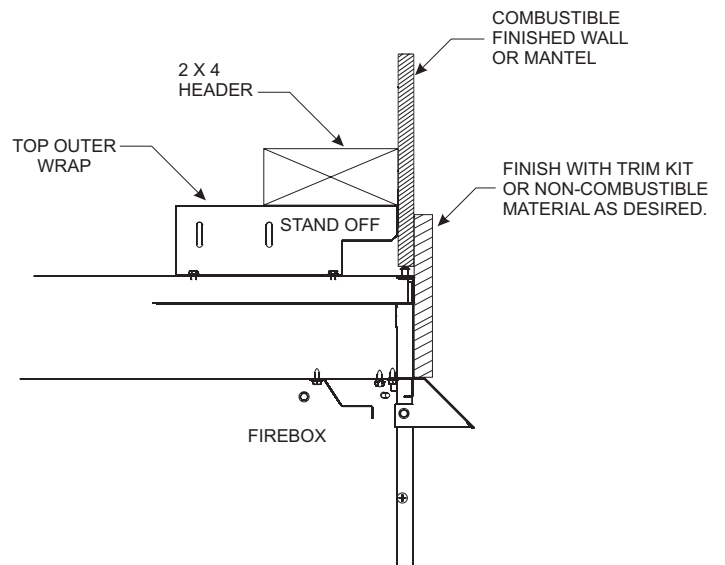


Figure 2b - Flush Models

CLEARANCES (CONT'D)

Ceiling Clearances: The ceiling height should not be less than 42" from the top of the hood. See Figures 3a and 3b.

Mantel Clearances: Vent free firebox models must use the hood supplied with the firebox, or one of the optional hood kits available for each model. If a combustible mantel is installed, it must meet the clearance requirements detailed below.

Grate Clearance: The minimum clearance between the front legs of the grate and the front edges of the firebox is 1 1/2".

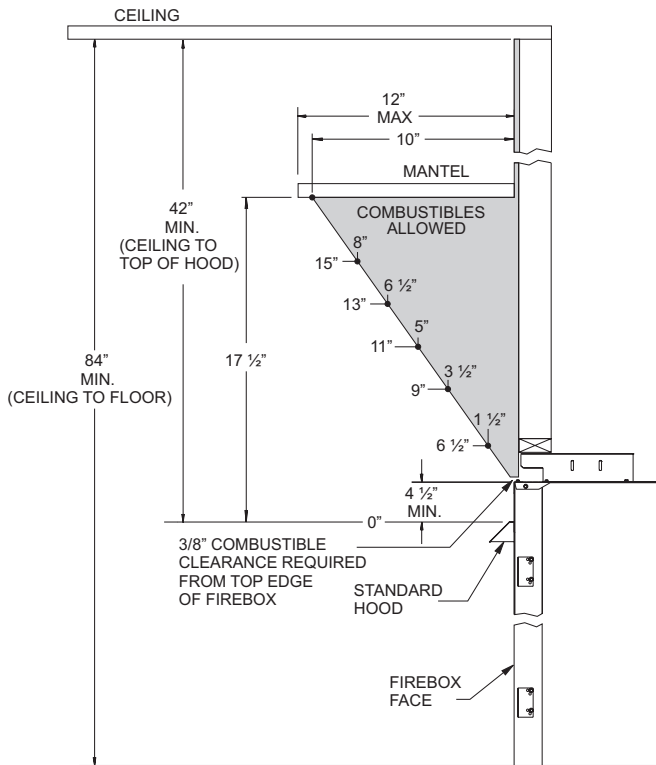


Figure 3a - Mantel Clearances with Standard Hood

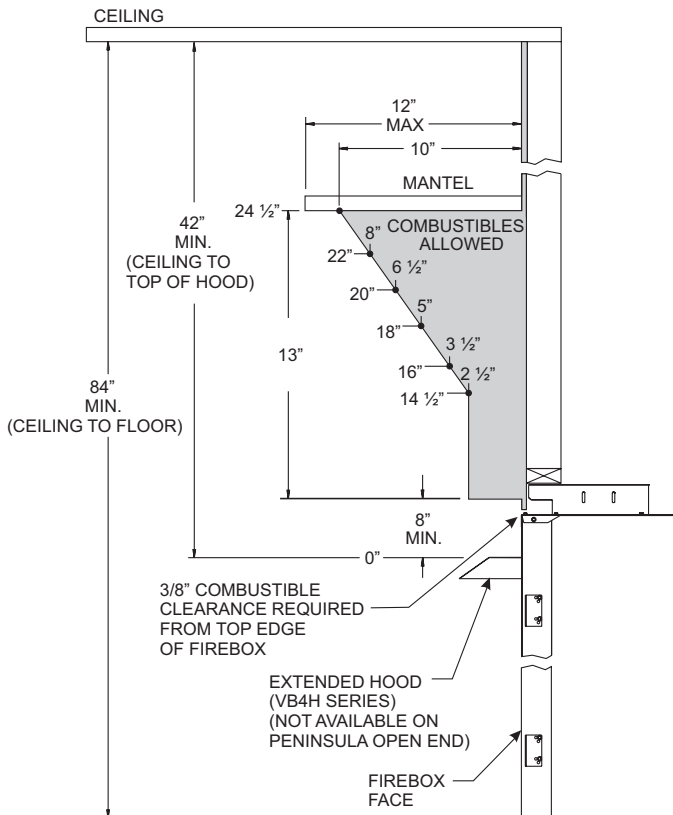
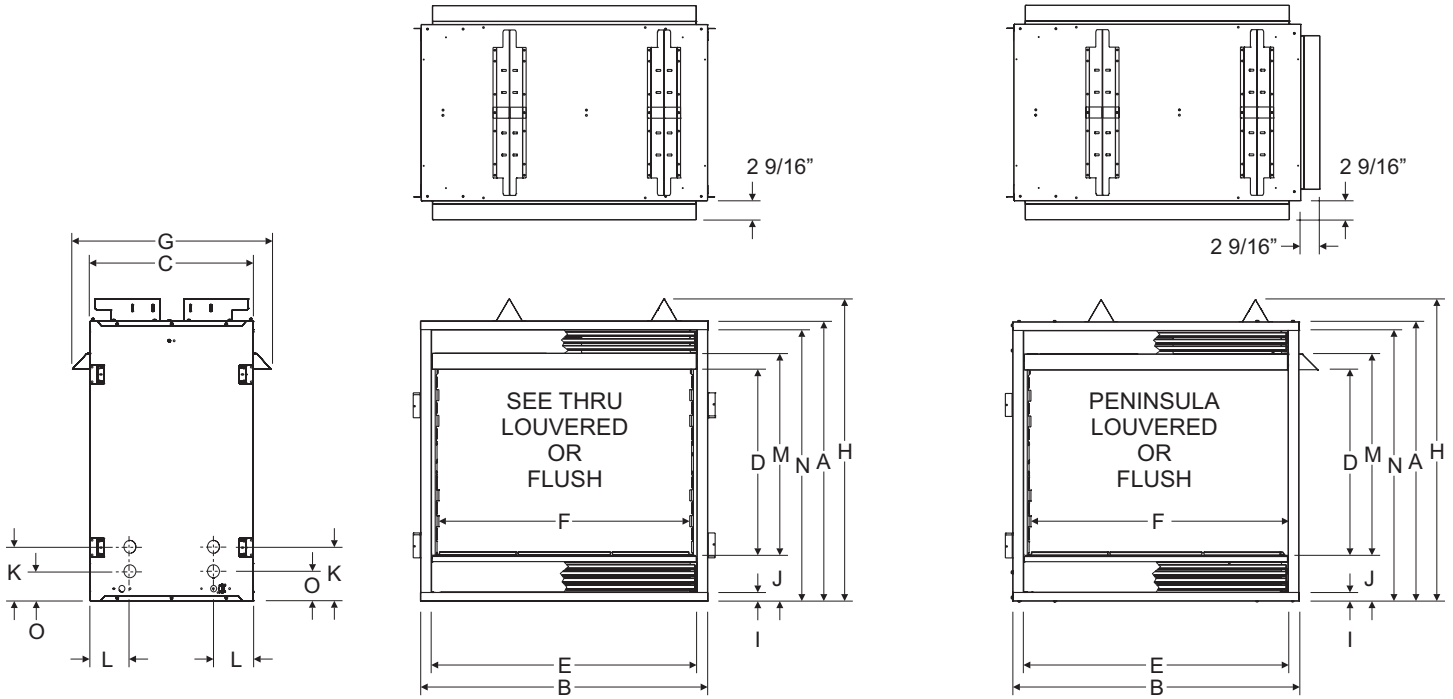


Figure 3b - Mantel Clearances with Optional Extended Hood

FIREBOX INSTALLATION INSTRUCTIONS



	LOUVERED PANELS		FLUSH PANELS	
	VFP36SB	VFP36PB	VFP36SB	VFP36PB
A	38 1/8"	38 1/8"	38 1/8"	38 1/8"
B	39"	39"	39"	39"
C	24"	24"	24"	24"
D	25 1/2"	25 1/2"	25 1/2"	25 1/2"
E	36"	36"	36"	36"
F	34 1/4"	35 1/4"	34 1/4"	35 1/4"
G	29 1/8"	29 1/8"	29 1/8"	29 1/8"
H	41 1/8"	41 1/8"	41 1/8"	41 1/8"
I	1 1/4"	1 1/4"	1 1/4"	1 1/4"
J	6 1/8"	6 1/8"	6 1/8"	6 1/8"
K	7 3/8"	7 3/8"	7 3/8"	7 3/8"
L	5 7/8"	5 7/8"	5 7/8"	5 7/8"
M	27 5/8"	27 5/8"	27 5/8"	27 5/8"
N	36 7/8"	36 7/8"	36 7/8"	36 7/8"
O	4"	4"	4"	4"

Figure 4
Firebox Dimensions

FIREBOX INSTALLATION INSTRUCTIONS (CONT'D)

Any vent-free Gas Log Heater must be "For use with approved ANSI Z21.11.2 unvented room heater."

Follow and complete the installation instructions of the gas log set and the requirements of this firebox.

Check all fittings for leaks before lighting the gas log set.

In planning the installation for the firebox, it is necessary to determine where the unit is to be installed and whether optional accessories are desired. Gas supply piping should also be planned at this time.

A gas shut off must be in this line.

The firebox can be mounted on any of these surfaces:

1. A flat hard combustible or non-combustible surface.
2. A raised platform of combustible or non-combustible material.
3. Recessed into the floor as illustrated by **Figure 5**.
4. Supported under all (4) corners of the firebox so that contact is made on all four perimeter edges on the bottom of the unit (Example: Four (4) concrete masonry blocks).

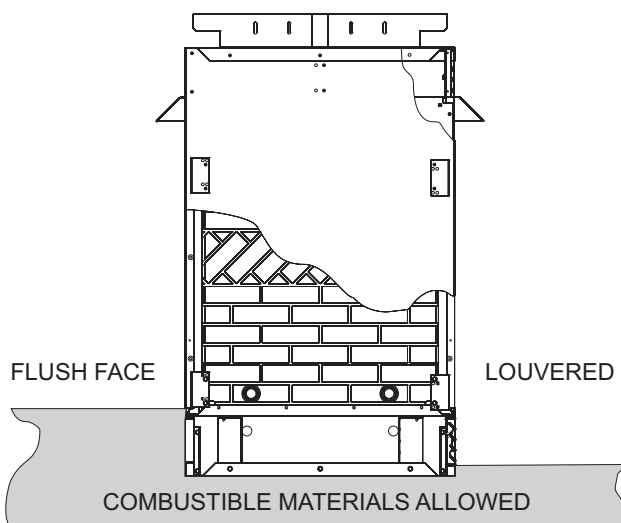


Figure 5

If the firebox is installed directly on carpeting, tile or other combustible material other than wood flooring, it should be installed on a metal or wood panel extending the full width and depth of the unit.

At this point, you should have decided what components to include in your installation, and where the firebox is to be located. If this has not been done, stop and consult your dealer for assistance with this planning.

Planning Your Installation

Accessory kits such as the FBB5 Blower kit, Trim kits, Mantels, plus other Decorative Frame, Hood, and Door accessory kits may be installed after the firebox is secured to the framing.

Refer to the instructions provided with each of the optional accessory kits for proper installation and operation.

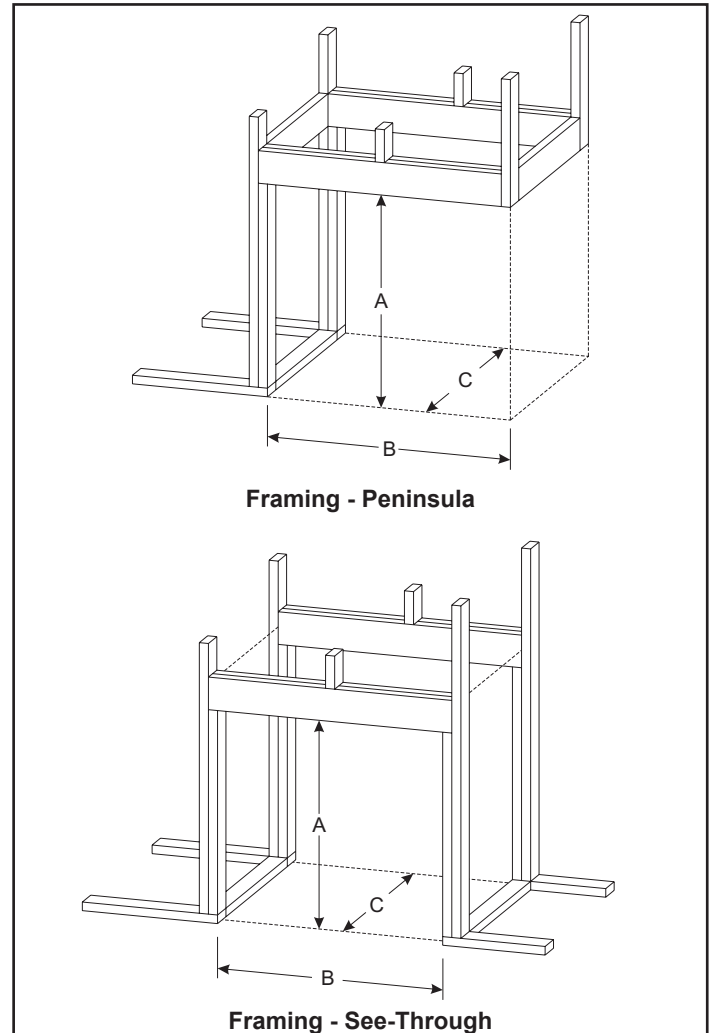
You must install certain components before the fireplace is permanently installed. These include the direct-vent system, gas piping for the appliance and the electrical wiring. (If the optional blower is used.)

Firebox Framing

Firebox framing can be built before or after the firebox is set in place. Framing should be constructed to accommodate wall covering and firebox facing material. The firebox framing should be constructed

of 2 x 4 lumber or heavier. The framing headers may rest on the top of the firebox standoffs. Refer to **Figure 6** for firebox framing dimensions.

NOTE: On Peninsula models, a maximum weight of 250 lbs. is recommended when construction materials are supported by the top standoff spacers.



Framing - See-Through

PREMIUM VENT-FREE FIREBOX FRAMING DIMENSIONS (In Inches)			
Model	"A" Framing Height	"B" Framing Width	"C" Framing Depth
VFP36SB	41 1/2"	40"	23"*
VFP36PB	41 1/2"	39"**	23"*

Attention: Add height of base to "A" Dimension when elevating firebox if installing on an elevated base.

Framing dimension A includes a three inch clearance for standoffs on firebox.

*Dimension "C" assumes use of 1/2" wall board flush to both front faces.

** Peninsula model framing width assumes use of 1/2" wall board flush to the end face.

Figure 6

FIREBOX INSTALLATION INSTRUCTIONS (CONT'D)

FRAMING THE FIREPLACE

1. Choose fireplace location.
2. Frame in fireplace with a header across the top. It is important to allow for finished face when setting the depth of the frame.
3. Attach fireplace to frame using adjustable frame. Preset depth to suit facing material (adjustable to 1/2 inch, 5/8 inch or 3/4 inch depths).
4. Loosen but do not remove the eight screws securing the nailing flanges to the firebox. **See Figure 7.**

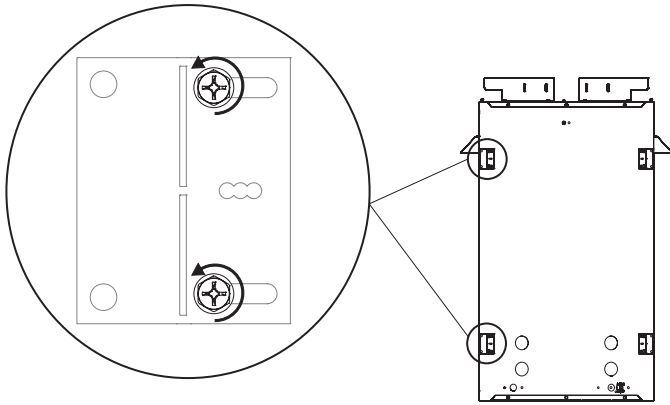


Figure 7

5. Measure from face of fireplace to face of drywall strip to determine final depth and adjust nailing flanges as shown in **Figure 8.**

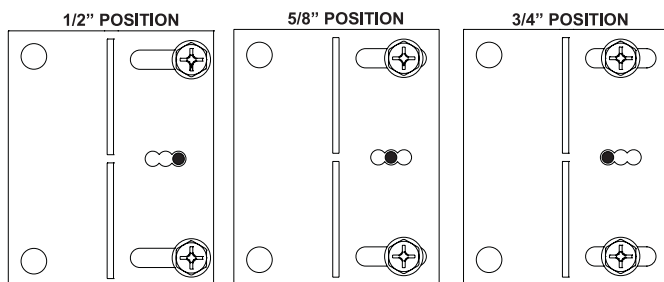


Figure 8

6. Tighten the eight screws loosened in step 4.
7. Bend the nailing flanges 90 degrees as shown in **Figure 9.**

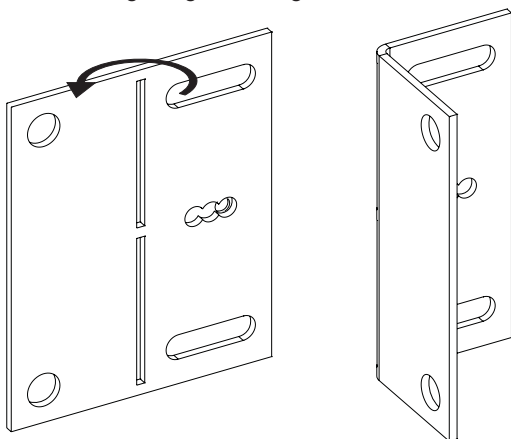


Figure 9

8. Slide unit into position and secure to wall with nailing flanges.

FIREBOX INSTALLATION INSTRUCTIONS (CONT'D)

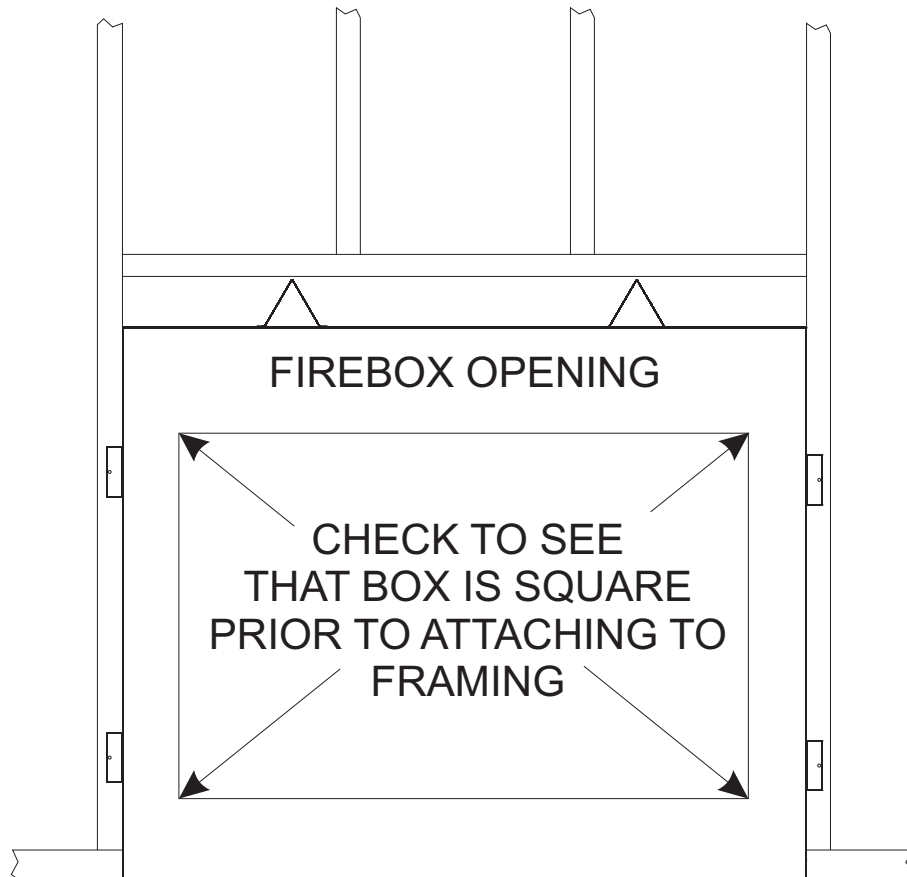


Figure 10

IMPORTANT! Check squareness of the firebox prior to securing to framed opening. See Figure 10.

INSTALLING HOOD

Black hoods are furnished with each firebox (or the optional hood(s)) and MUST be installed before the firebox is used. Failure to do so may create a possible fire hazard. For shipping purposes, the hoods are located behind the upper louver(s), or inside the firebox on flush face units. If brass, stainless steel, or hammered pewter hoods are desired, they can be purchased as an option. Attachment is the same as the standard black hood.

Louvered Models

1. Remove upper louver, or flush panel.
2. Place the top hood flange on top of the inner firebox top, then install three screws through the firebox top from below and screw into the pilot holes in the hood flange (B).
3. Install one (1) screw at each end of the hood as shown (C).
4. Re-install louver(s) or flush panel(s).

CAUTION: All hoods must be installed prior to operation of appliance. See Figure 11.

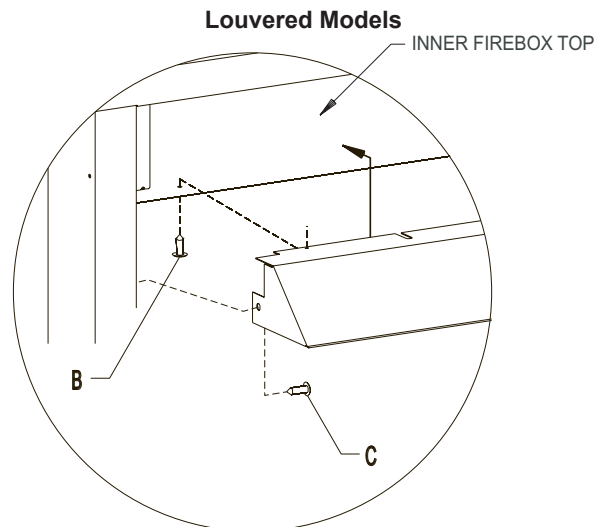


Figure 11

INSTALLING HOOD (CONT'D)

Extended Hoods

If your non-combustible facing material is over 1" in thickness and will be used to finish this firebox, extended hoods are available that will extend out 2" farther into the room. Extended hoods are not available for the peninsula open ends. Contact your local dealer for details.

Finishing

All joints (top, bottom and sides), where the wall or decorative facing material meets the firebox surround should be sealed with a non-combustible material.

Flush panels, louvers, and decorative louver panels are interchangeable, and may be mixed and matched as desired (i.e. Flush panel on bottom with louvered panel at top, or vice versa).

GAS LINE CONNECTION

The firebox is designed to accept a gas line for an approved vent-free gas logset. Have the line installed by a qualified service person in accordance with all building codes. Consult local building codes to properly size the gas supply line leading to the connection of the logset burner. The state of Massachusetts requires that a flexible appliance connector cannot exceed three feet in length.

Gas access holes are provided through the side panel(s) of the firebox. **See Figure 12.** Carefully remove the indented knockout in the ceramic brick panel using a drill or utility knife. **See Figure 13.**

Check gas type. Use only the gas type indicated on the gas log set rating plate. If the gas listed on the plate is not your type of gas supply, **DO NOT INSTALL.** Contact your dealer for proper model.

Always use an external regulator for all LP fireboxes to reduce the supply tank pressure to a maximum of 14" w.c. This is in addition to the regulator fitted to the log set.

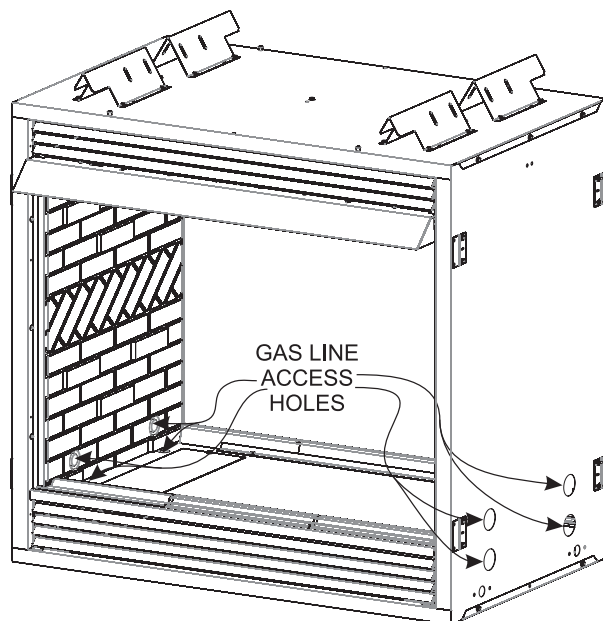


Figure 12

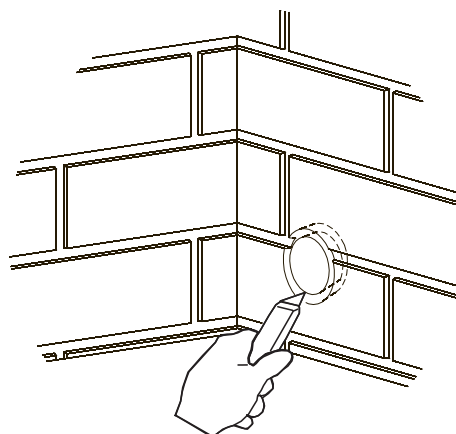


Figure 13

⚠ WARNING

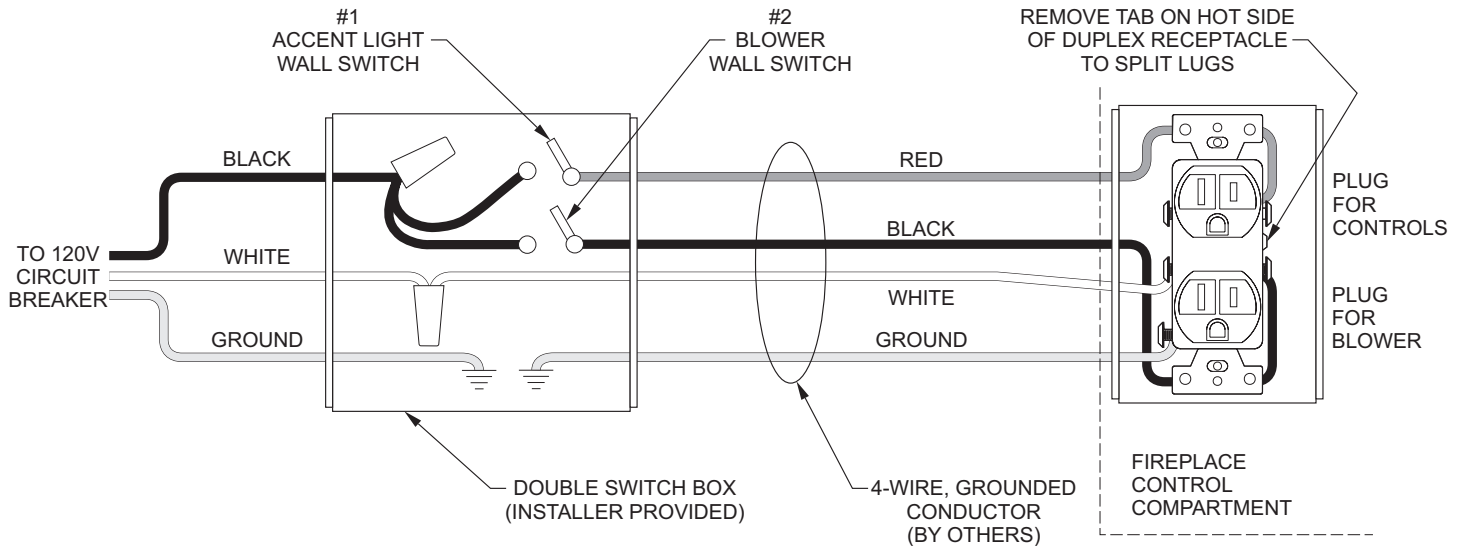
Connection directly to an unregulated L.P. Tank can cause explosion.

Install only a ANSI Z21.11.2 vent-free log set into this firebox.

WIRING INSTRUCTIONS FOR INSTALLING A DUAL SWITCH / RECEPTACLE

In order to install both the optional Blower and Accent Light accessories, it will be necessary to install the junction box so that the Duplex Receptacle wiring is split. This will allow each side of the receptacle to operate independently off separate wall switches. See diagram below.

NOTE: To operate the FBB5 Blower accessory with a variable speed control, the SCV1 Variable Speed Control Kit should be installed to control the power to one side of the duplex receptacle.



DUAL SWITCH ELECTRICAL WIRING TO FIREPLACE RECEPTACLE

1. To wire Junction Box Receptacle, remove the tab on the side of the receptacle (hot side) to split receptacle. This will be required to separate blower and Accent Light circuits.
2. Power for switched and live sides of Duplex Receptacle must come from the same power source. (One circuit breaker on main panel must switch all power off.)
3. From the wall box to the fireplace a 3-wire conductor with ground is recommended, however (2) two-wire conductors with grounds may be used in place of a 3-wire conductor with a ground if the black wires from the Accent Light and blower accessories are identified.
4. Two wall switches may be used to activate the two receptacle plugs independently.

LK2 ACCENT LIGHT ACCESSORY

An Accent Light Kit model LK2 is available for installation in the top of the firebox. Providing the junction box has been pre-wired with separate circuits as described in the "Wiring for a dual switch/receptacle" section, the Accent Light kit may be installed at any time on louvered models, or on flush panel models prior to the upper panels being covered with finishing materials.

Follow the instructions provided with the LK2 Accent Light kit for proper installation in the fireplace/firebox.

OPTIONAL SINGLE SPEED BLOWER INSTALLATION INSTRUCTIONS

Attention: Install blower assembly before connecting gas inlet supply line.

Wiring

The appliance, when installed, must be electrically grounded in accordance with local codes or, in the absence of local codes, with the *National Electrical Code, ANSI/NFPA 70*, if an external electrical source is utilized. **This appliance is equipped with a three-prong [grounding] plug for your protection against shock hazard and should be plugged directly into a properly grounded three-prong receptacle. Do not cut or remove the grounding prong from this plug.** For an ungrounded receptacle, an adapter, which has two prongs and a wire for grounding, can be purchased, plugged into the ungrounded receptacle and its wire connected to the receptacle mounting screw. With this wire completing the ground, the appliance cord plug can be plugged into the adapter and be electrically grounded.

⚠ CAUTION

Label all wires prior to disconnection when servicing controls. Wiring errors can cause improper and dangerous operation. Verify proper operation after servicing.

1. If installed, turn OFF gas supply to firebox/gas log.
2. If applicable, turn OFF electric supply to firebox.
CAUTION: All wiring should be done by a qualified electrician and shall be in compliance with all local, city and state building codes. Before making the electrical connection, make sure that main power supply is disconnected. The appliance, when installed, must be electrically grounded in accordance with local codes, with the national electrical code ANSI/NFPA 70 (Latest Edition).

To install the blower kit, access the junction box, or install a light kit, remove the access cover plate and/or lower louvers or flush panels as illustrated by **Figures 15 and 16**.

A factory included junction box is located on the lower right side of the firebox. Wiring must be fed through the 7/8" diameter hole provided on the lower side of the firebox, and secured to the outer wrap with the clamp provided. Leave approximately 6" of wire in the junction box for connection.

Attach black wire to one side of the receptacle and white wire to opposite side of receptacle. The ground wire should be attached to the green (ground) screw. **See Figure 14.**

Install the receptacle into the junction box as illustrated. Attach cover plate. Place Junction Box so that it is approximately 8 to 12" away from the outer wrap wall. Secure wiring at outer wrap of fireplace with wire clamp provided.

Attention: If installed, do not damage gas inlet supply line when blower assembly is inserted into firebox. In some cases, removal of the gas inlet supply line may be necessary.

3. Determine which type of firebox you have prior to installation. **See Figures 15 and 16**

JUNCTION BOX CONNECTIONS

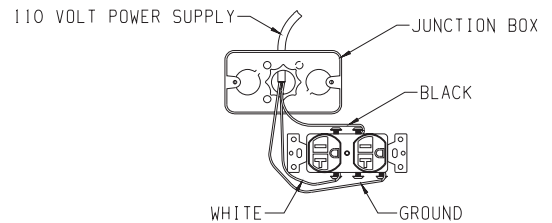


Figure 14

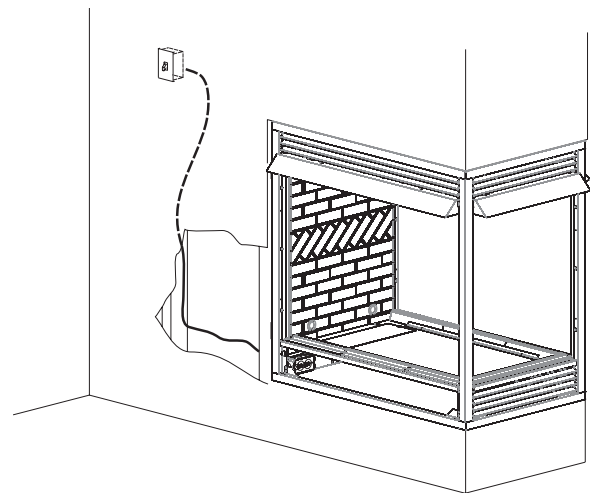


Figure 15 - Flush Or Louvered Models

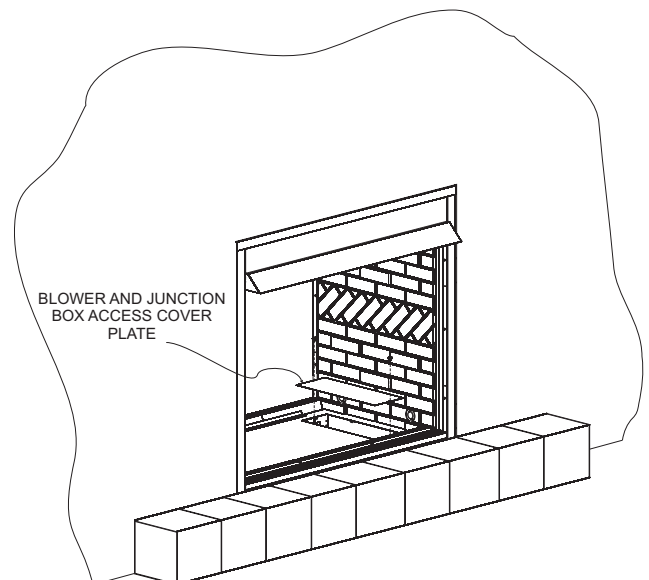


Figure 16 - Flush Face Models With Raised Hearth Extensions

OPTIONAL SINGLE SPEED BLOWER INSTALLATION INSTRUCTIONS (CONT'D)

4. Insert blower assembly into interior, bottom of firebox. Position blower assembly so that you align the notch on back of blower assembly with the center screw on side/end panel, then push the blower assembly against firebox outer panel. The blower wheel must be centered with the side/end wall of the firebox. The magnets on the back and bottom of blower assembly will sufficiently hold blower assembly in place. **See Figure 18.**
5. Once the blower assembly is in position, locate the plug button in the top corner of the firebox. Remove the plug with a standard screwdriver and discard plug.
6. Next, find the fan control switch and wire assembly. Feed the wires through the hole at the top of the firebox. Feed the wires over the firebox top and down between the firebox side and outer wrap then, secure the fan control switch with (2) #6 screws provided. **See Figure 17.**
7. The fan control wires will slide down between the firebox and outer wrap near the blower assembly. **See Figure 18.**
8. One fan control wire will have a 1/4" female terminal that must be attached to the open terminal on the blower motor. **See Figure 21, Connection A.**
9. The other fan control wire has a 1/4" male terminal. Attach this terminal to the open terminal on the blower power cord. **See Figure 21, Connection B**
10. Route the wires away from moving parts of the blower assembly and retain wires together near the blower motor using the plastic purse clip provided.
11. To complete the installation, plug the power cord into the junction box receptacle previously installed in the bottom of the firebox. **See Figures 18 and 20.**
12. Once all connections are made electrically, it is recommended that you test the blower fan control operation by turning on power to the blower (**CAUTION: 110 Volt**). Then apply heat to the fan control switch inside the firebox with a lighter or match until blower is activated. Once blower is activated, check for proper operation. Do not place hands near blower assembly or other wiring while power is on.
13. Replace blower access plate and louvers or flush panels. **See Figures 15 and 16.**
14. This completes the installation of the optional FBB5 Blower kit accessory.

NOTE: This blower is equipped with a heat activated fan control switch. Blower will operate when the firebox warms up, and will turn off automatically when the firebox cools down. The time will vary for the activation of the fan control switch depending on several factors including firebox/log set sizing, BTU input variables, and log set positioning. Generally, it may take from 5 to 20 minutes to activate blower/fan control from a cold start.

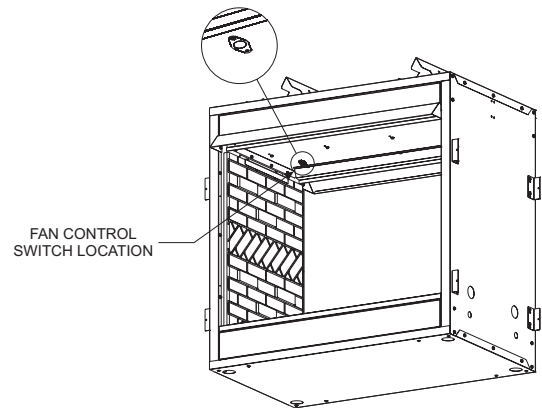


Figure 17

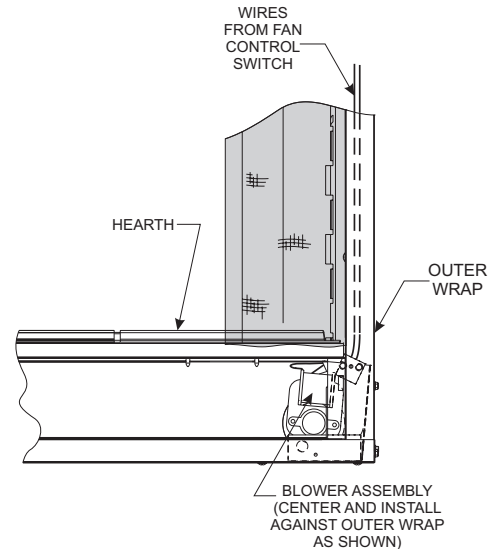


Figure 18

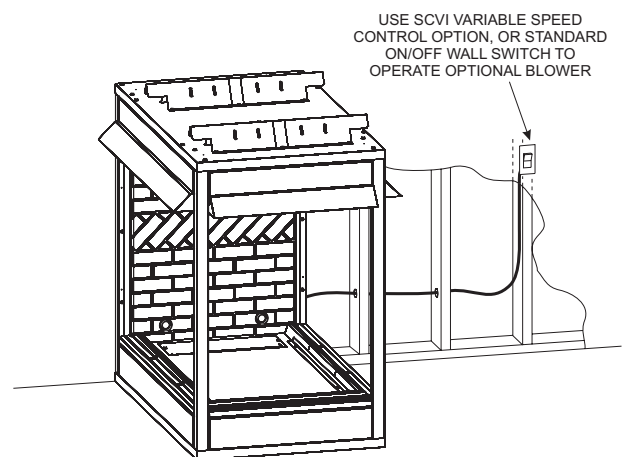


Figure 19

OPTIONAL SINGLE SPEED BLOWER INSTALLATION INSTRUCTIONS (CONT'D)

Blower Motor

The blower motor does not have oiling holes. Do not attempt to oil the blower motor.

Blower Wheels

The blower wheels will collect lint and could require periodic cleaning. If the air output decreases or the noise level increases, it indicates a dirty blower wheel. Remove fan and clean blower wheels.

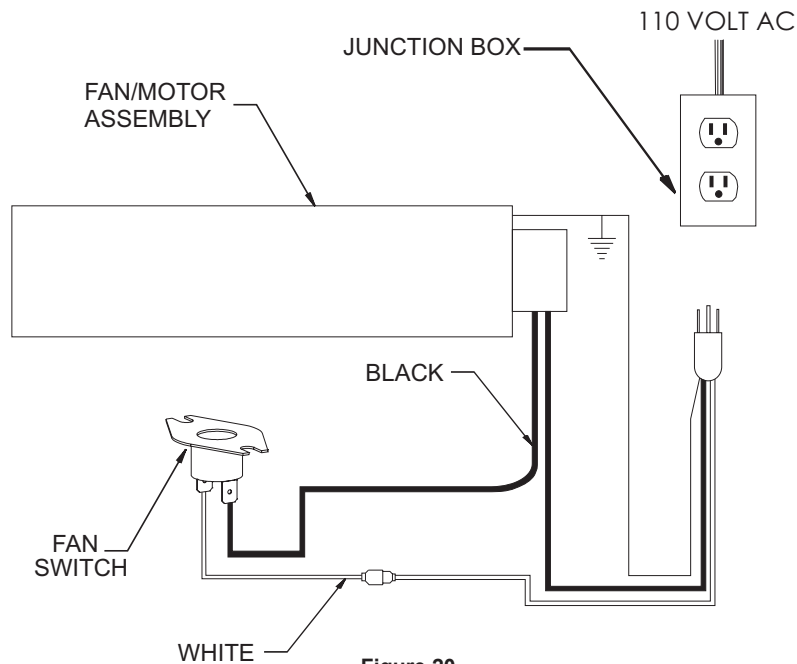
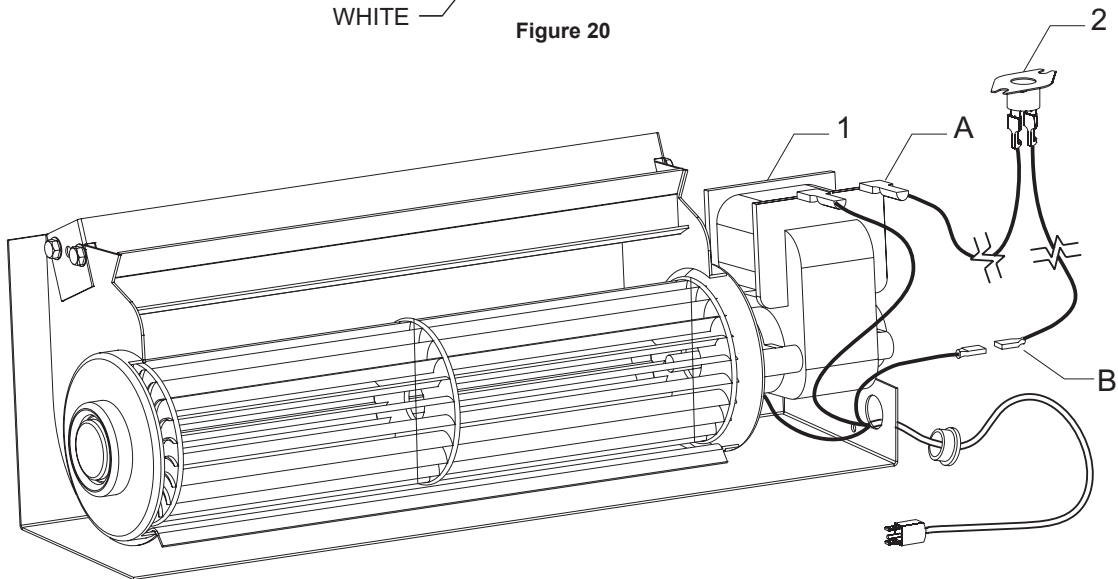


Figure 20



1	R7731	BLOWER ASSEMBLY
2	R9901	FAN CONTROL SWITCH

Figure 21

MAINTENANCE

Keep the control compartment, logs and burner area surrounding the logs clean by vacuuming or brushing area at least twice a year.

THE LOGS CAN GET VERY HOT – HANDLE ONLY WHEN COOL.

Always turn off gas to the pilot before cleaning. For relighting, refer to lighting instructions located on the log set.

Never obstruct the flow of the combustion and ventilation air. Keep the front of the firebox clear of all obstacles and materials.

Screens must be closed during operation.

This page intentionally left blank.

PARTS LIST

Index Number	Part Number				Description
	VFP36SB2EL	VFP36SB2EF	VFP36PB2EL	VFP36PB2EF	
1	-	-	-	-	FIREBOX ASSEMBLY
2	17301 (4)	17301 (4)	17301 (4)	17301 (4)	TOP STANDOFF
3	R9655 (4)	R9655 (4)	R9655 (4)	R9655 (4)	INSULATION - TOP
4	39739 (2)	39739 (2)	39739 (2)	39739 (2)	INSULATION SUPPORT
5	R7052 (4)	R7052 (4)	R7052 (4)	R7052 (4)	SCREEN ROD - LONG
6	-	-	R12668	R12668	SCREEN ROD - SHORT
7	R9631 (2)	R9631 (2)	R9631	R9631	BRICK PANEL - SIDE
8	29270 (4)	29270 (4)	29270 (3)	29270 (3)	BRICK BRACKET
9	20145 (2)	20145 (2)	20145 (2)	20145 (2)	HOOD LONG
10	-	-	24056	24056	HOOD SHORT
11	39736 (2)	39736 (2)	39736 (2)	39736 (2)	INNER AIR BAFFLE
12	18807 (2)	18807 (2)	18807 (2)	18807 (2)	LOUVER ASSEMBLY - UPPER LONG
13	18808 (2)	18808 (2)	18808 (2)	18808 (2)	LOUVER ASSEMBLY - LOWER LONG
14	-	-	24059 (2)	24059 (2)	LOUVER ASSEMBLY - UPPER SHORT
15	-	-	24058 (2)	24058 (2)	LOUVER ASSEMBLY - LOWER SHORT
16	19990	19990	19990	19990	BLOWER ACCESS PLATE
17	39081 (2)	39081 (2)	39081 (2)	39081 (2)	HEARTH RETAINER
18	R9293 (2)	R9293 (2)	R9293 (2)	R9293 (2)	HEARTH LEDGE - LEFT
19	R9295 (2)	R9295 (2)	R9295 (2)	R9295 (2)	HEARTH LEDGE - CENTER
20	R9292 (2)	R9292 (2)	R9292 (2)	R9292 (2)	HEARTH LEDGE - RIGHT
21	-	-	R9634	R9634	HEARTH LEDGE - END
22	31579 (8)	31579 (8)	31579 (4)	31579 (4)	NAILING FLANGE
23	39744 (2)	39744 (2)	39744 (2)	39744 (2)	FLUSH PANEL - UPPER - LONG
24	39741 (2)	39741 (2)	39741 (2)	39741 (2)	FLUSH PANEL - LOWER - LONG
25	-	-	39752	39752	FLUSH PANEL - UPPER - SHORT
26	-	-	39751	39751	FLUSH PANEL - LOWER - SHORT
N/S	R8201 (4)	R8201 (4)	R8201 (5)	R8201 (5)	CURTAIN SCREEN

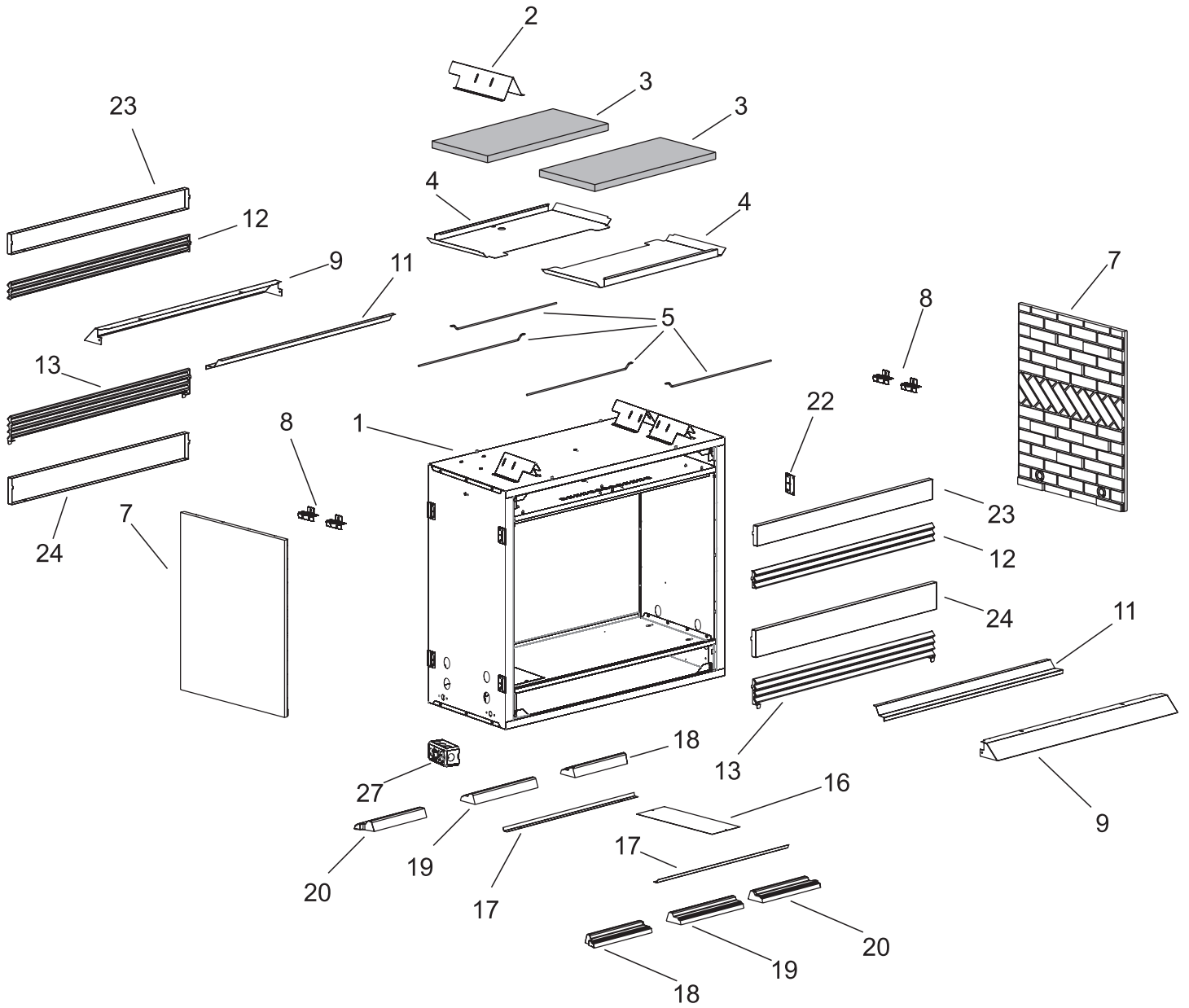
N/S - Not Shown

See Page 17 for See-Through Models VFP36SB2E(L,F) Parts View for ordering parts.

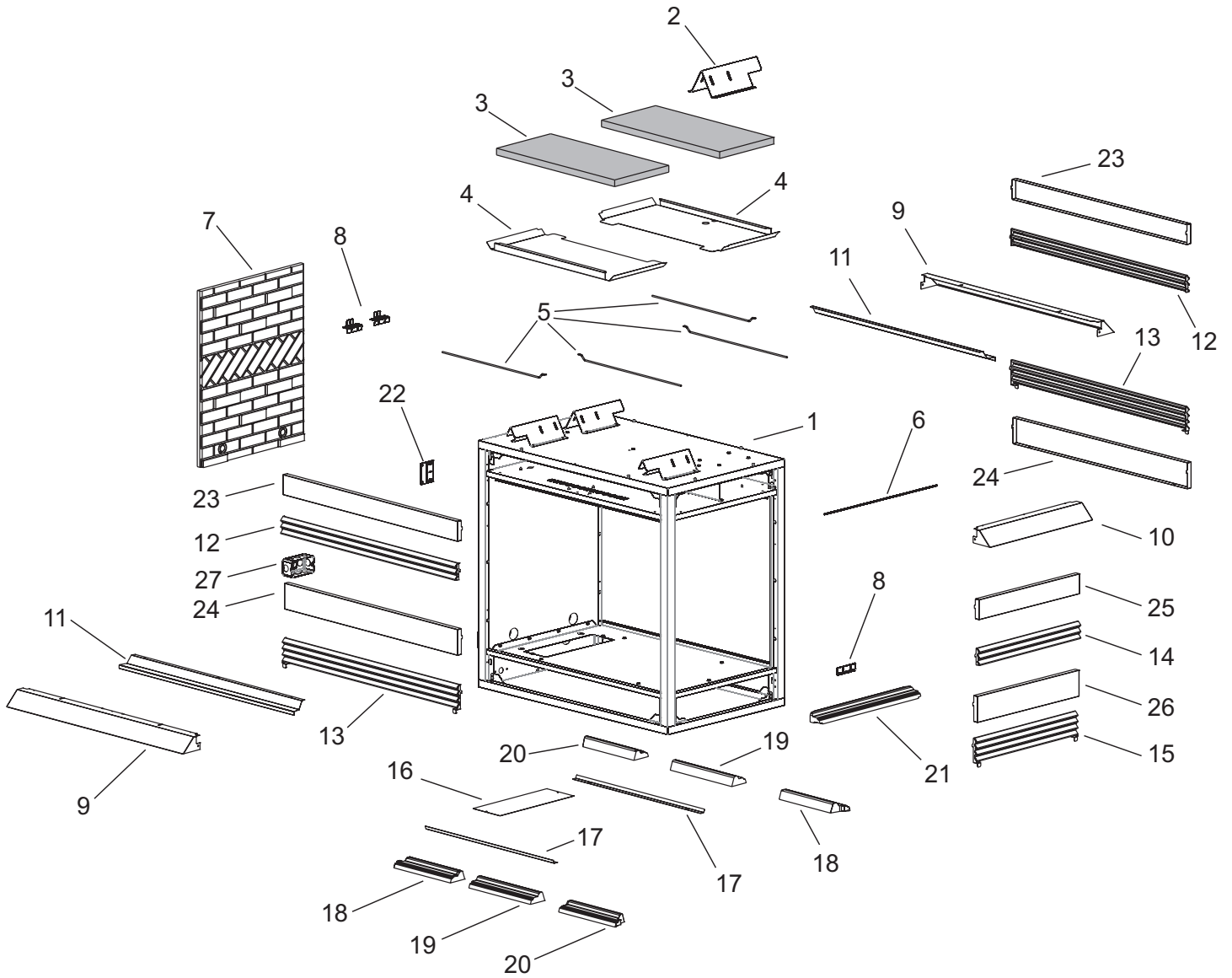
See Page 18 for Peninsula Models VFP36PB2E(L,F) Parts View for ordering parts.

Use Only Manufacturer's Replacement Parts. Use of Any Other Parts Could Cause Injury Or Death.

SEE-THROUGH FIREBOX PARTS VIEW

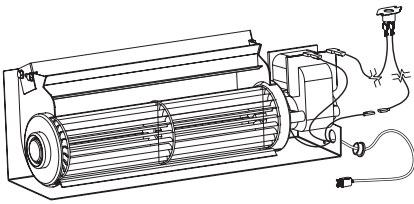
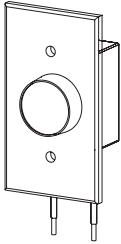
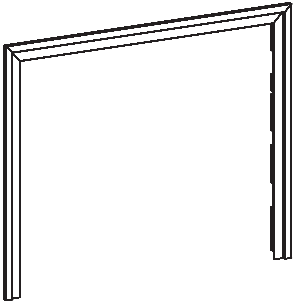

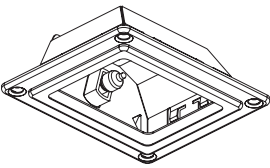


PENINSULA FIREBOX PARTS VIEW

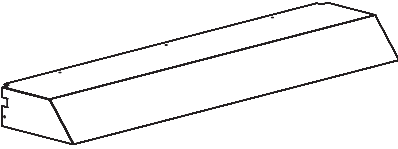
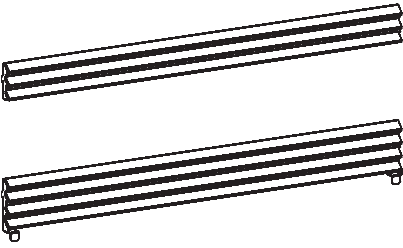
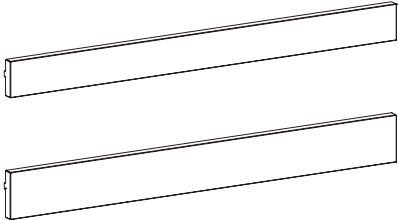
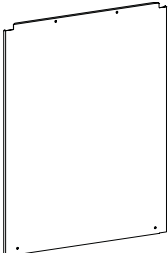


This page intentionally left blank.

ACCESSORIES

Accessory	Description	Model Numbers
	<p>Fan Kit</p>	<p>FBB5</p>
	<p>Variable Speed Control Kit</p>	<p>SCV-1</p>
	<p>Frame Kits</p>	<p>For use with See-Through models: VFP36SB2E(L,F) ONLY</p> <p>Contact dealer for all available optional frame kits</p>
	<p>Bottom Trim Strip</p>	<p>For VFP36SB2E(F,L) ONLY</p> <p>Contact dealer for all available optional trim accessories</p>
	<p>Accent Light Kit</p>	<p>LK2</p>

ACCESSORIES (CONT'D)

Accessory	Description	Model Numbers
	Extended 4" Hoods	Contact dealer for all available optional hood accessories
	Louvers	Contact dealer for all available optional louver accessories
	Decorative Door Kits	Contact dealer for all available optional frame kit accessories
Mantel Systems	Available in various styles and finishes.	Contact dealer for all available mantel options.
	Flush Panel Kits	FPK22 (For Peninsula open end) FPK36 (For See-Through and Peninsula front openings)
	Decorative Liner Kits	Contact dealer for all available decorative liner kits.

MASTER PARTS DISTRIBUTOR LIST

To Order Parts Under Warranty, please contact your local Empire dealer. See the dealer locator at www.empirecomfort.com. To provide warranty service, your dealer will need your name and address, purchase date and serial number, and the nature of the problem with the unit.

To Order Parts After the Warranty Period, please contact your dealer or one of the Master Parts Distributors listed below. This list changes from time to time. For the current list, please click on the Master Parts button at www.empirecomfort.com. Please note: Master Parts Distributors are independent businesses that stock the most commonly ordered Original Equipment repair parts for Heaters, Grills, and Fireplaces manufactured by Empire Comfort Systems Inc.

Dey Distributing

1401 Willow Lake Boulevard
Vadnais Heights, MN 55101

Phone: 651-490-9191

Toll Free: 800-397-1339

Website: www.deydistributing.com

Parts: Heater, Hearth and Grills

F. W. Webb Company

200 Locust Street
Hartford, CT 06114

Phone: 860-722-2433

Toll Free: 800-243-9360

Fax: 860-293-0479

Toll Free Fax: 800-274-2004

Websites: www.fwwebb.com & www.victormfg.com

Parts: Heater, Hearth and Grills

East Coast Energy Products

10 East Route 36
West Long Branch, NJ 07764

Phone: 732-870-8809

Toll Free: 800-755-8809

Fax: 732-870-8811

Website: www.eastcoastenergy.com

Parts: Heater, Hearth and Grills

HOW TO ORDER REPAIR PARTS

Parts Not Under Warranty

Parts can be ordered through your Service Person, Dealer, or a Master Parts Distributor. See this page for the Master Parts Distributors list. For best results, the **service person or dealer** should order parts through the distributor. Parts can be shipped directly to the **service person/dealer**.

Warranty Parts

Warranty parts will need a proof of purchase and can be ordered by your Service Person or Dealer. Proof of purchase is **required** for warranty parts.

All parts listed in the Parts List have a Part Number. When ordering parts, first obtain the Model Number and Serial Number from the name plate on your equipment. Then determine the Part Number (**not** the Index Number) and the Description of each part from the following illustration and part list. Be sure to give all this information . . .

Appliance Model Number _____ Part Description _____

Appliance Serial Number _____ Part Number _____

Type of Gas (Propane or Natural) _____

Do not order bolts, screws, washers or nuts. They are standard hardware items and can be purchased at any local hardware store.

Shipments contingent upon strikes, fires and all causes beyond our control.

WARRANTY

Empire Comfort Systems Inc. warrants this hearth product to be free from defects at the time of purchase and for the periods specified below. Hearth products must be installed by a qualified technician and must be maintained and operated safely, in accordance with the instructions in the owner's manual. This warranty applies to the original purchaser only and is not transferable. All warranty repairs must be accomplished by a qualified gas appliance technician.

Limited Lifetime Parts Warranty with a Five-Year Limited Labor Warranty – Combustion Chamber and Heat Exchanger

If the combustion chamber or heat exchanger (see parts list) fails because of defective workmanship or material, Empire will repair or replace at Empire's option. Within five years from the date of purchase, Empire will pay reasonable labor to have the defective part repaired or replaced at Empire's option.

**Limited Five-Year Parts & Labor Warranty – All Other Components
(Except Remote Controls, Thermostats, Accessories and Replacement Parts)**

Should any part fail because of defective workmanship or material within five years from the date of purchase, Empire will repair or replace at Empire's option. Within five years from the date of purchase, Empire will pay reasonable labor to have that defect repaired at Empire's option.

Limited One-Year Parts Warranty – Remote Controls, Thermostats, Accessories, and Parts

Should any remote control, thermostat, accessory, or other part fail because of defective workmanship within one year from the date of purchase, Empire will repair or replace at Empire's option.

Duties Of The Owner

The appliance must be installed by a qualified installer and operated in accordance with the instructions furnished with the appliance. A bill of sale, cancelled check, or payment record should be kept to verify purchase date and establish warranty period. Ready access to the appliance for service.

What Is Not Covered

Damages that might result from the use, misuse, or improper installation of this appliance.
Travel, diagnostic costs and freight charges on warranted parts to and from the factory.
Claims that do not involve defective workmanship or materials.
Unauthorized service or parts replacements.
Removal and reinstallation cost.
Inoperable due to improper or lack of maintenance.

How To Get Service

To make a claim under this warranty, please have your receipt available and contact your installing dealer. Provide the dealer with the model number, serial number, type of gas, and purchase verification. The installing dealer is responsible for providing service and will contact the factory to initiate any warranted parts replacements. Empire will make replacement parts available at the factory. Shipping expenses are not covered.

If, after contacting your Empire dealer, service received has not been satisfactory, contact: Consumer Relations Department, Empire Comfort Systems Inc., PO Box 529, Belleville, Illinois 62222, or send an e-mail to info@empirecomfort.com with "Consumer Relations" in the subject line.

Your Rights Under State Law

This warranty gives your specific legal rights, and you may also have other rights, which vary from state to state.



SINCE 1932

**Empire Comfort Systems Inc.
Belleville, IL**

If you have a general question about our products, please e-mail us at info@empirecomfort.com.

If you have a service or repair question, please contact your dealer.

www.empirecomfort.com