

This Owner's Manual is provided and hosted by [Appliance Factory Parts](#).



# Broil King 9221-84 Owner's Manual

[Shop genuine replacement parts for Broil King 9221-84](#)

**Broil King®**

[Find Your Broil King Grill Parts - Select From 1350 Models](#)

----- Manual continues below -----

# Broil King®

ASSEMBLY MANUAL & PARTS LIST • MANUEL DE MONTAGE & LISTE DE PIÈCES • MANUAL DE ARMADO Y LISTA DE PARTES



**BARON S490**  
9225-84  
9225-87



**BARON 490**  
9221-84  
9221-87



**BARON S440**  
9225-64  
9225-67



**BARON 440**  
9221-64  
9221-67



**BARON S420**  
9225-54  
9225-57  
9225-14  
9225-17



**BARON 420**  
9221-54  
9221-57  
9221-14  
9221-17

RETAIN FOR FUTURE REFERENCE • VEUILLEZ CONSERVER POUR REFERENCE ULTERIEURE • CONSERVAR PARA FUTURAS CONSULTAS

1-800-265-2150

[info@omcbbq.com](mailto:info@omcbbq.com)

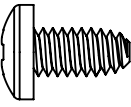
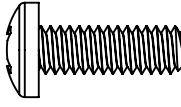
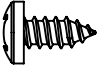
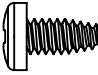
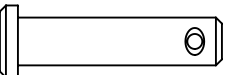
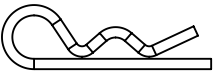
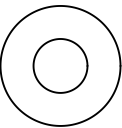
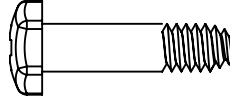
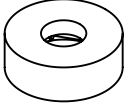
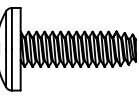

*Onward*  
SINCE 1906  
MANUFACTURING COMPANY  
1000 EAST MARKET STREET  
HUNTINGTON, INDIANA, 46750, USA

50084-S48 Rev D 10/17

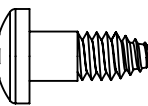
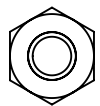
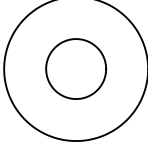


PCEÜÖY CEÜÖÁP ÔŠWÖÖÄÄT CEÜÖÜÖŠÁP ÔŠWÜÄÄÜWÜUÜÄP ÔŠWÖÜ

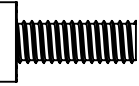
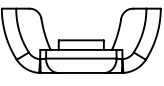


YËGÎÍ  $\phi F$	YËGF€  $\phi \acute{A}$	ÜGFFG  $\phi i$
YËGHEI  $\phi G$	ÜGFGHÍ  $\phi G$	ÜGFGH  $\phi G$
YËGÍÍ  $\phi l$	YËFÍÍ F  $\phi G$	YËFGI  $\phi G$
ÜHÍ €J  $\phi F$	GEEÉÍ EEEÉ  $\phi F$	

- &&! , ( Ž - &&% , ( Ž - &&! \* ( Ž - &&% \* ( Ž - &&! ) ( Ž - &&% ) (

YËFÍÍÍ  $\phi G$	YËFÍÍÍ  $\phi G$	ÜGFÍÍ  $\phi G$
---	---	---

- &&! , ( # , + Ž - &&% , ( # , +

ÜHÍ €J  $\phi G$	ÜGFÍÍ F  $\phi G$
---	--

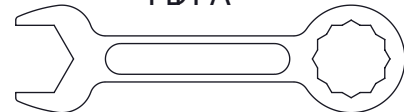
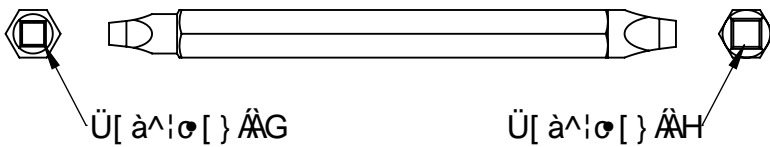


VUUŠÜÄÜÖÜWÜÖÖÄÜWÜŠÜÄP ÖÖÜÜCEÜÖÜÄÄP ÖÜÜCEÜÖP VCEÜÄP ÖÖÜÜCEÜÖÜ

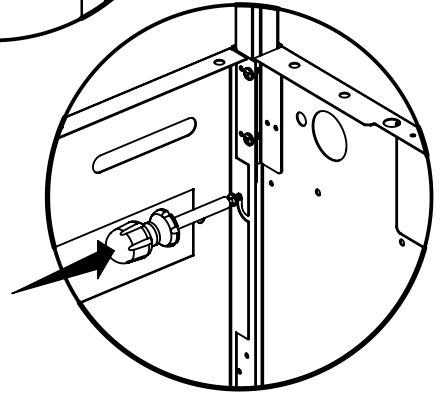
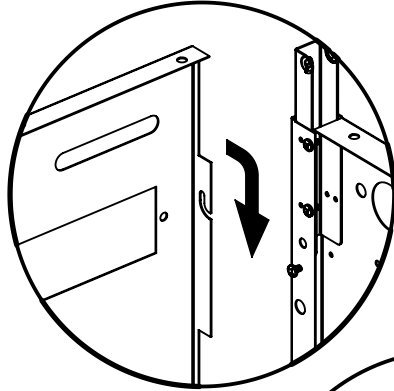
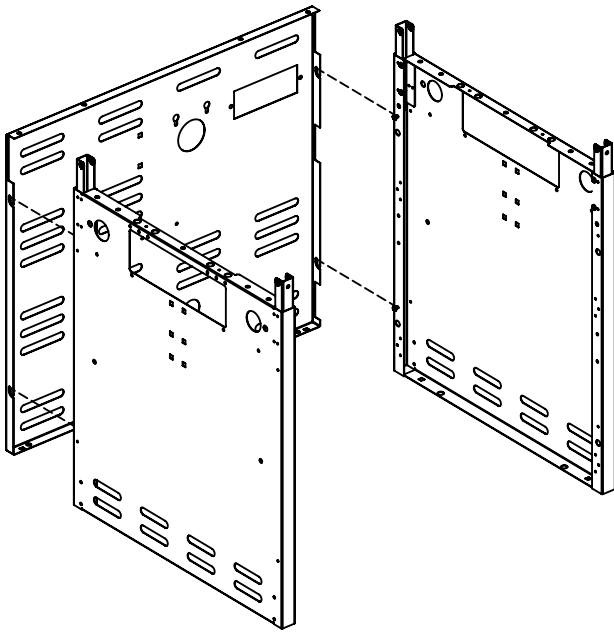


YËFGGH

Ï ÞÍ Ä

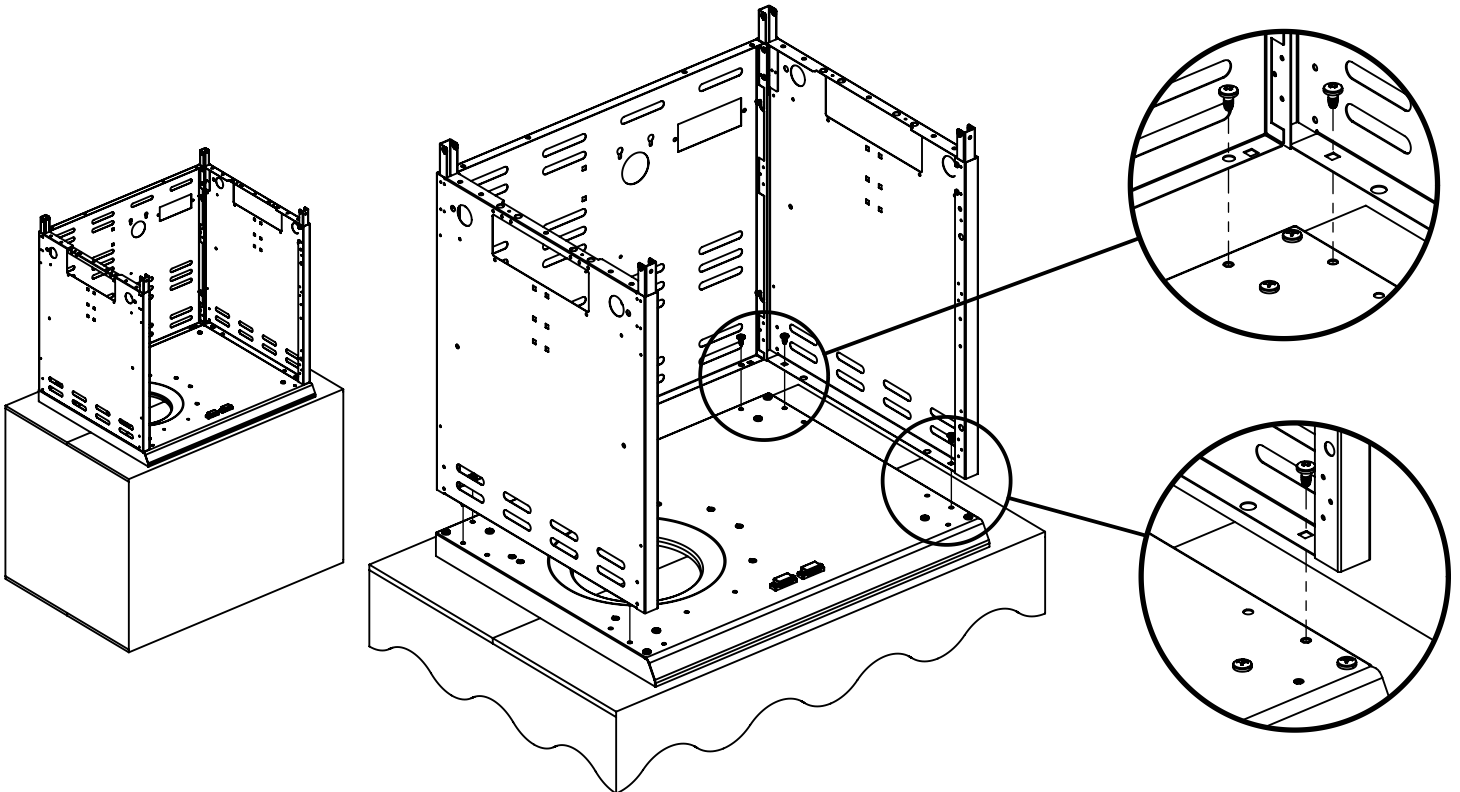
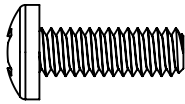


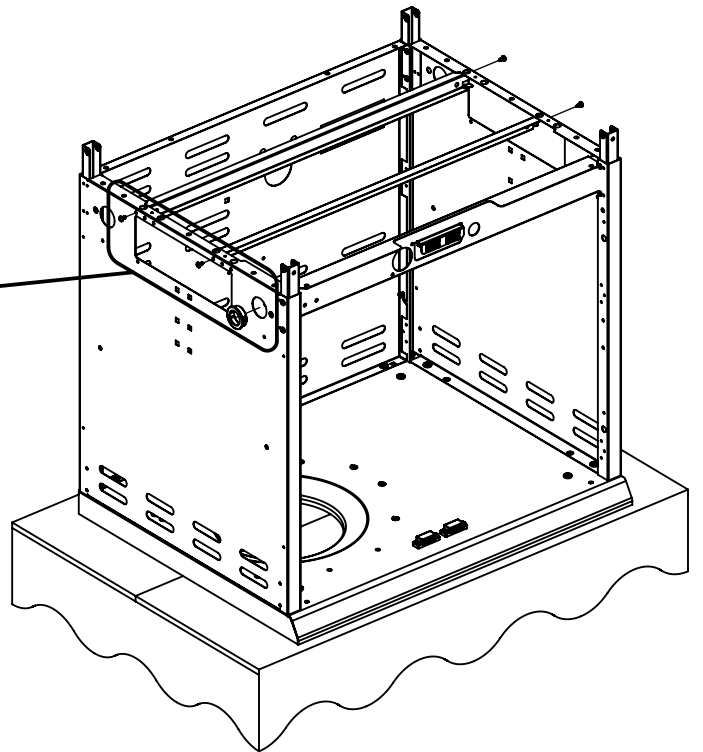
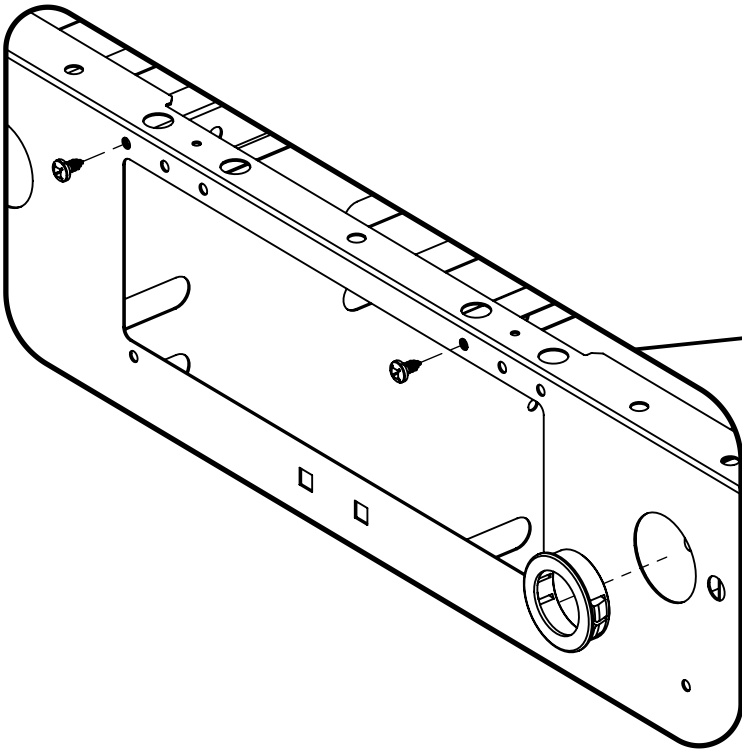
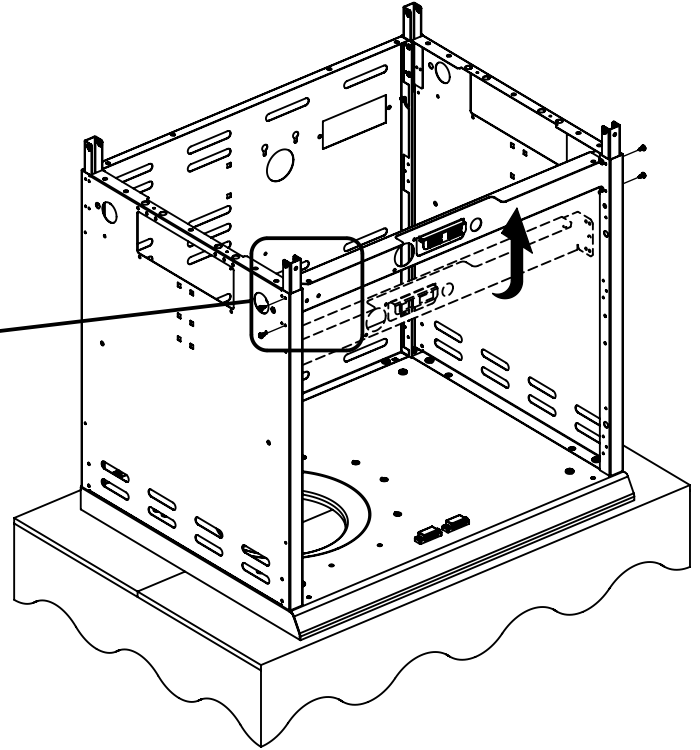
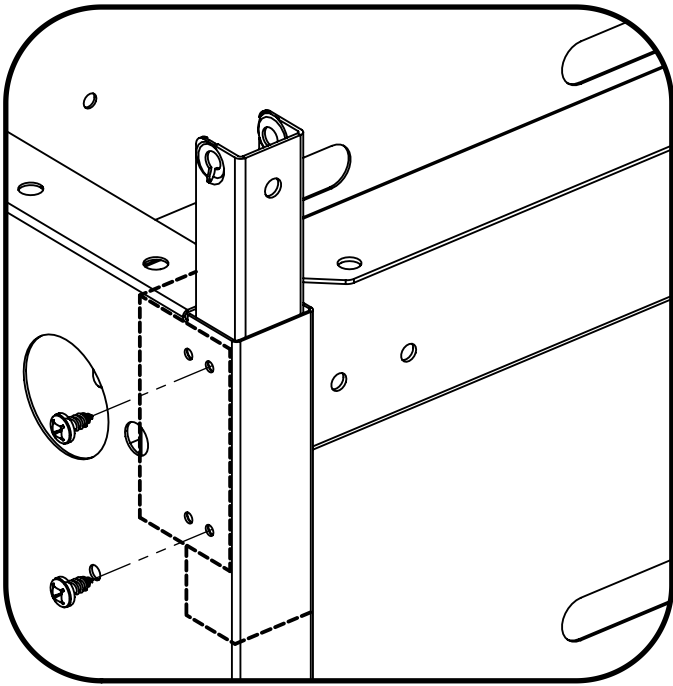
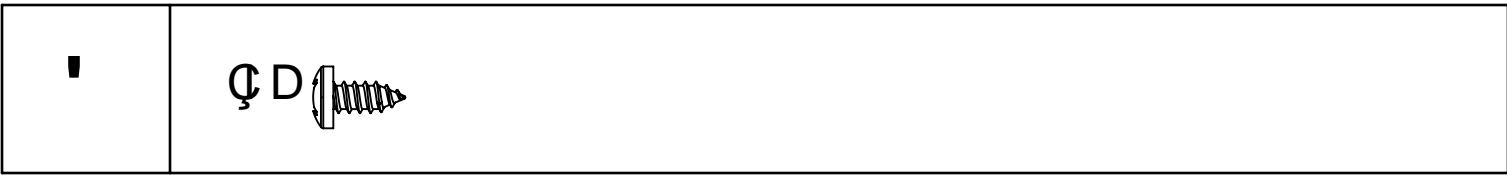
%

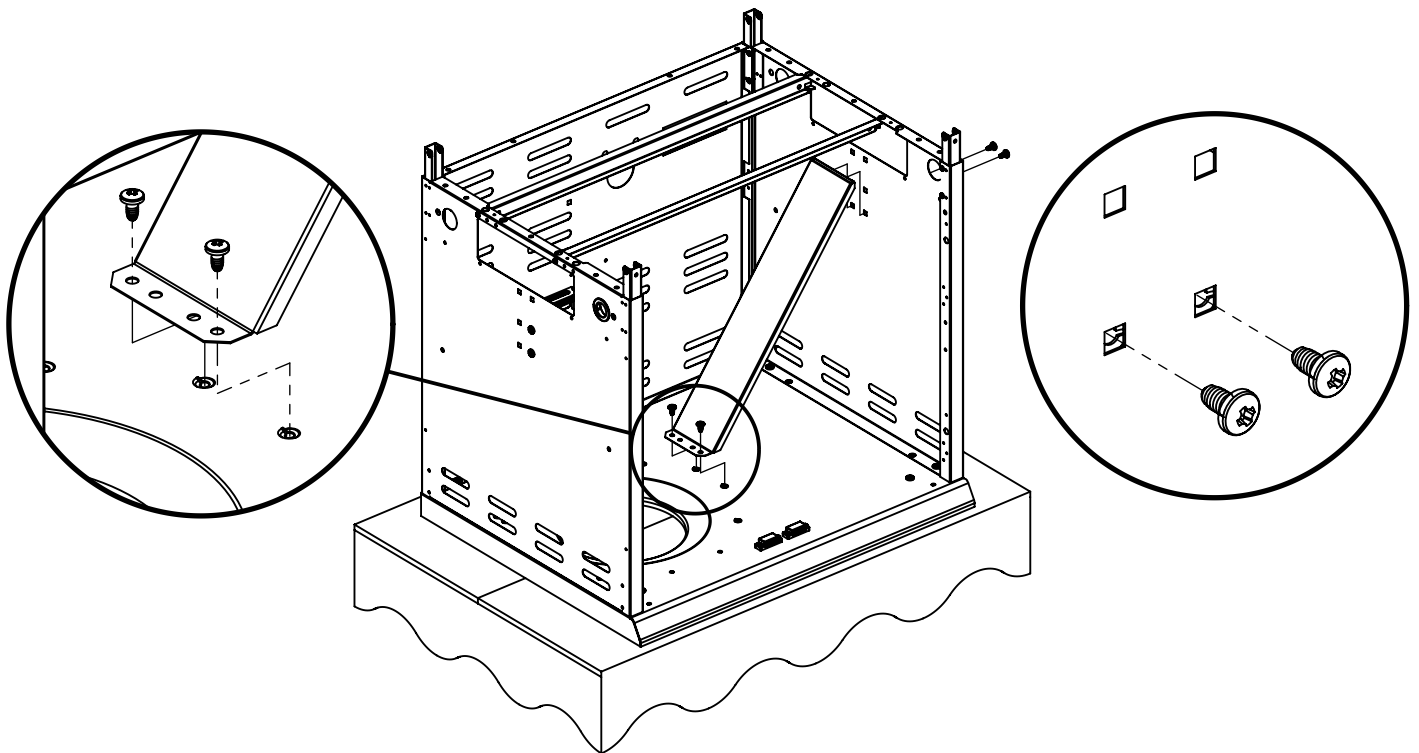
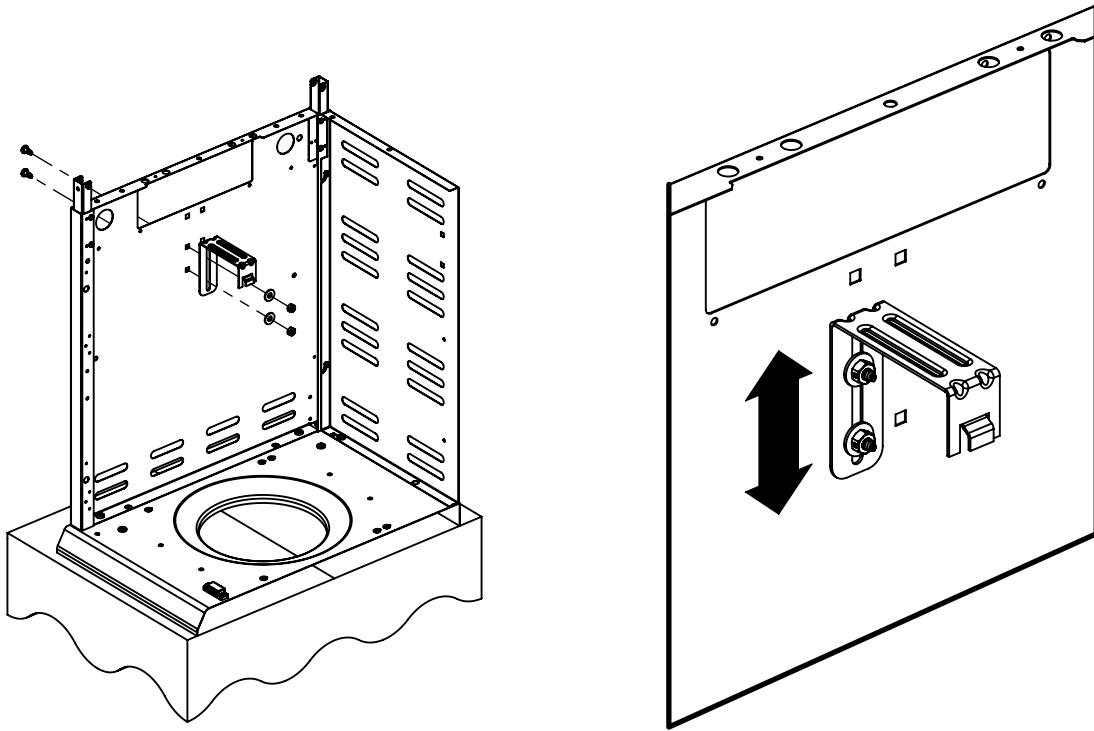
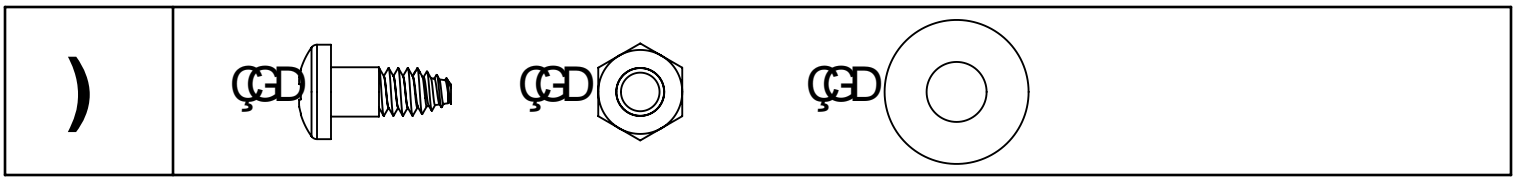


&

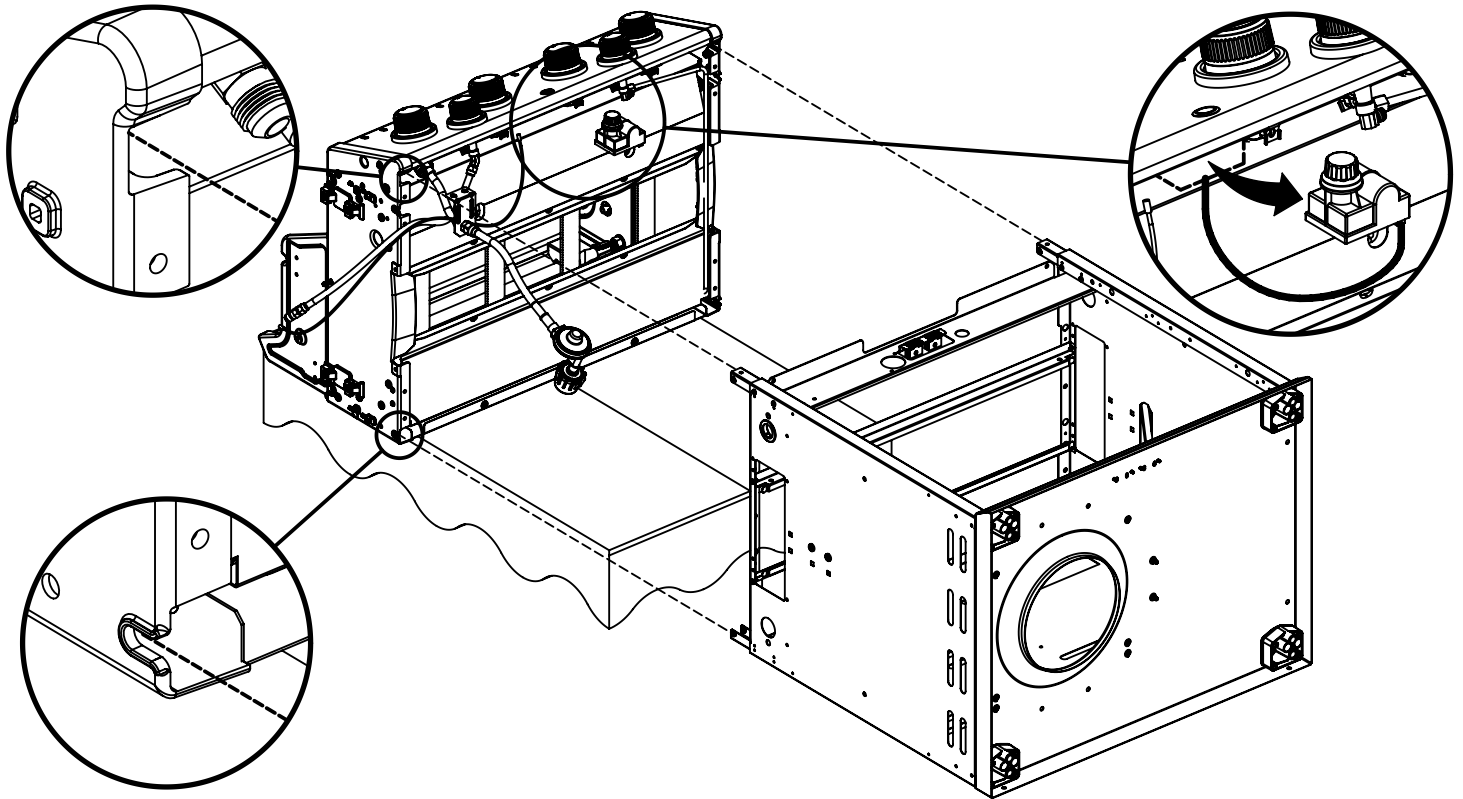
⌀ D



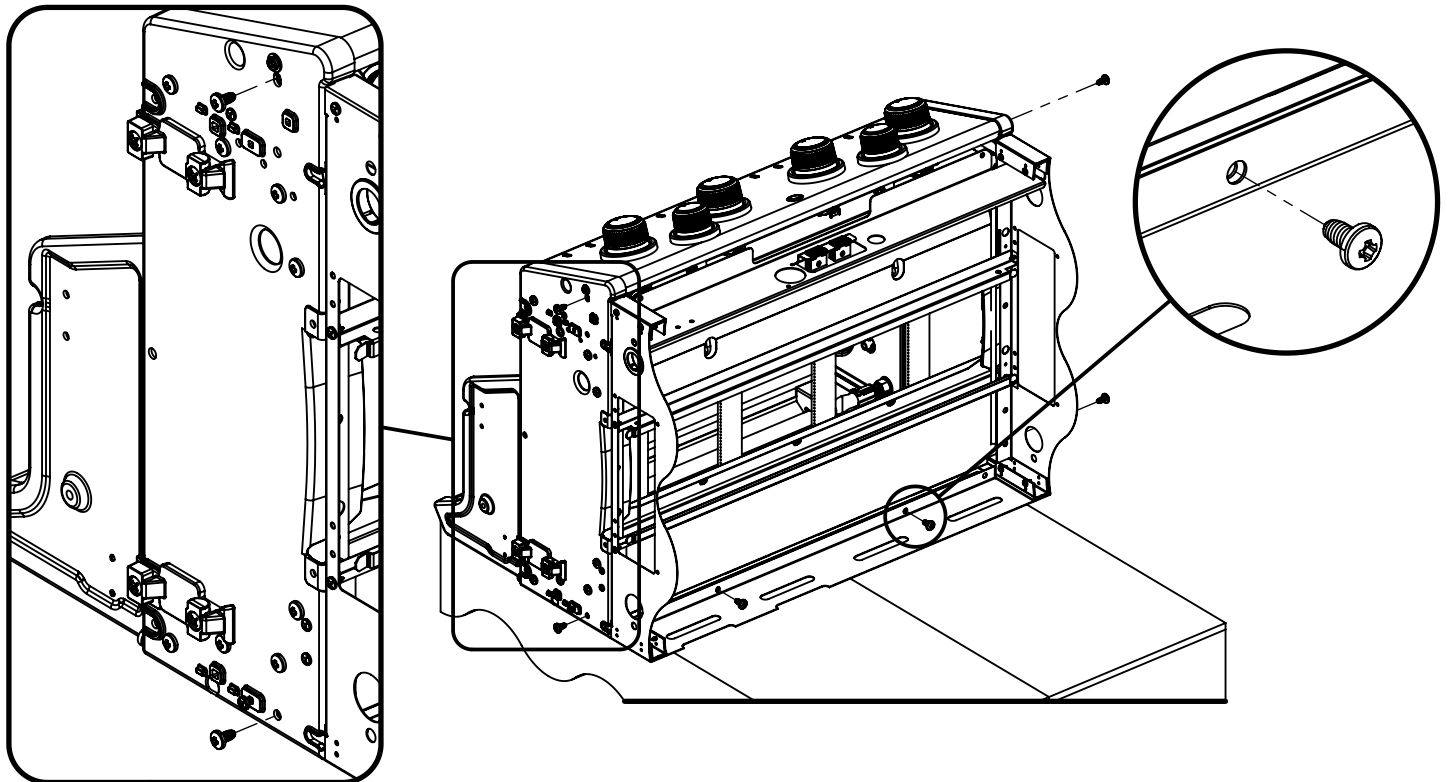


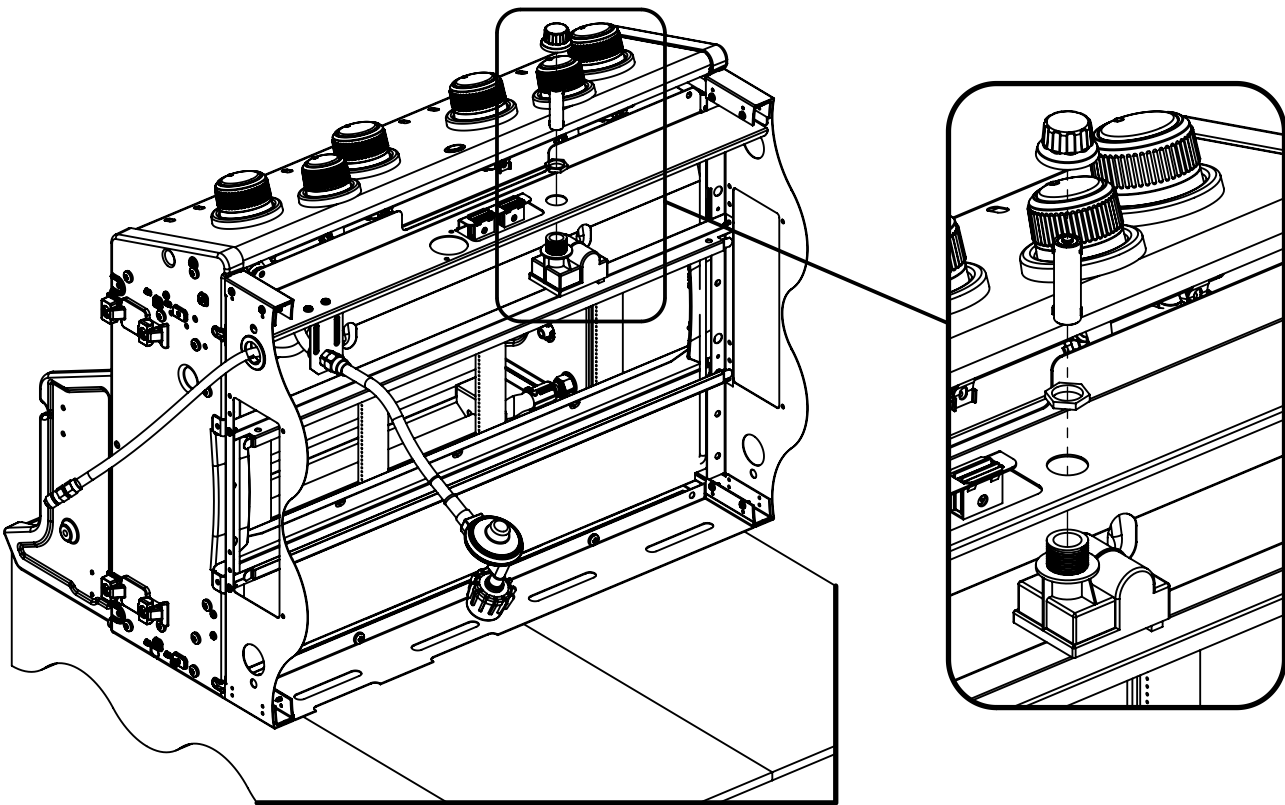
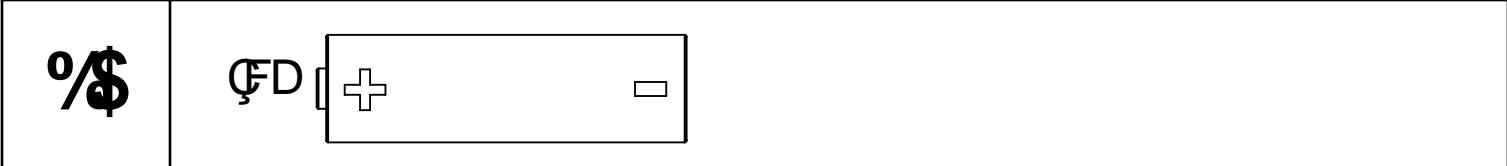
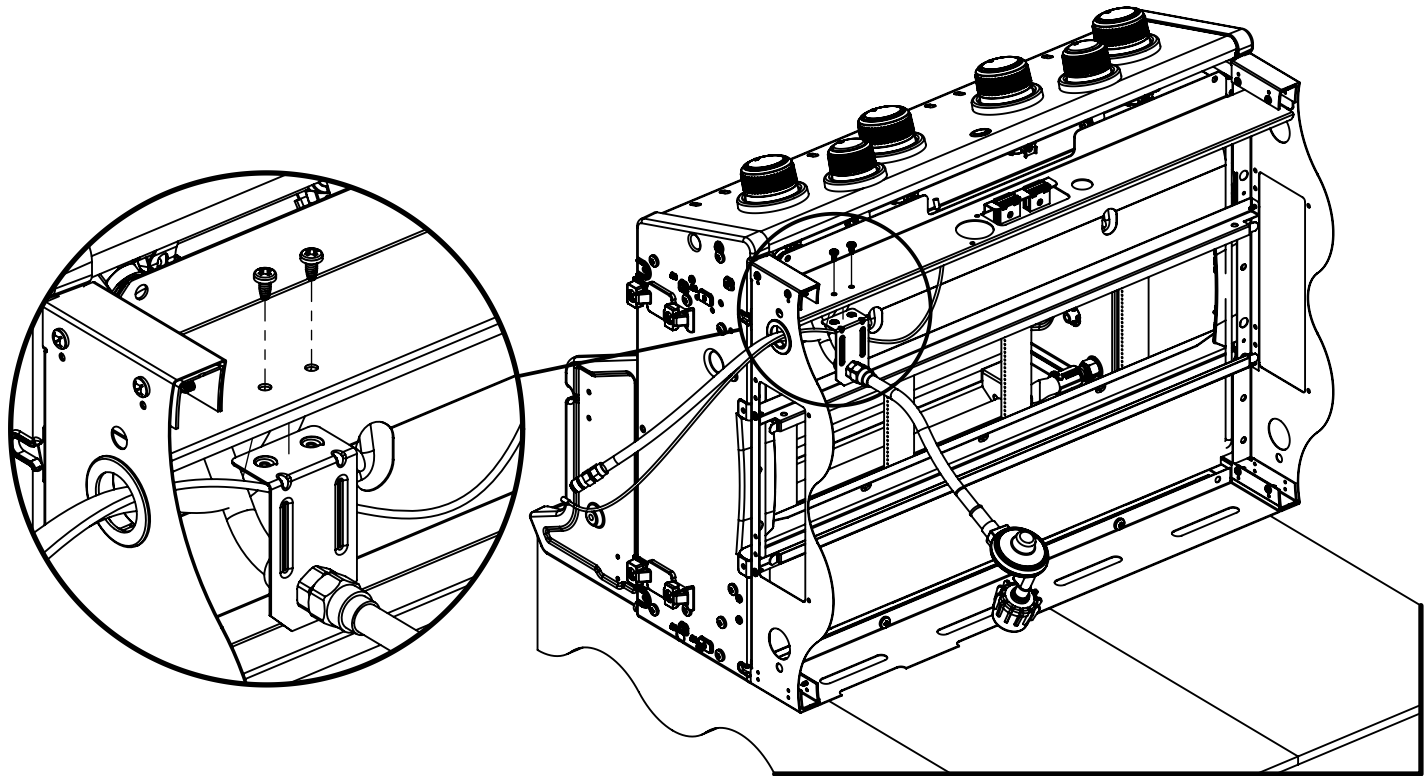
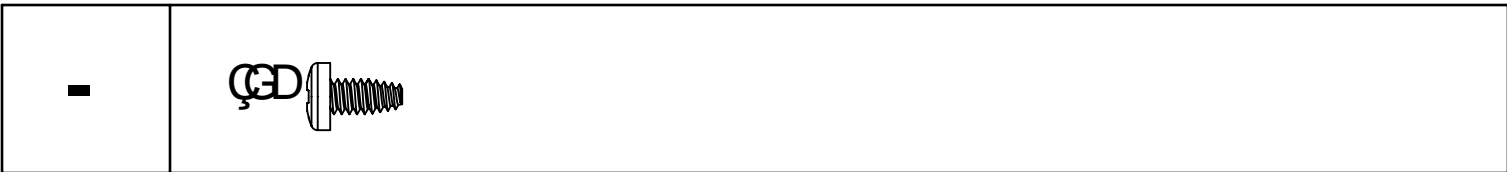


+

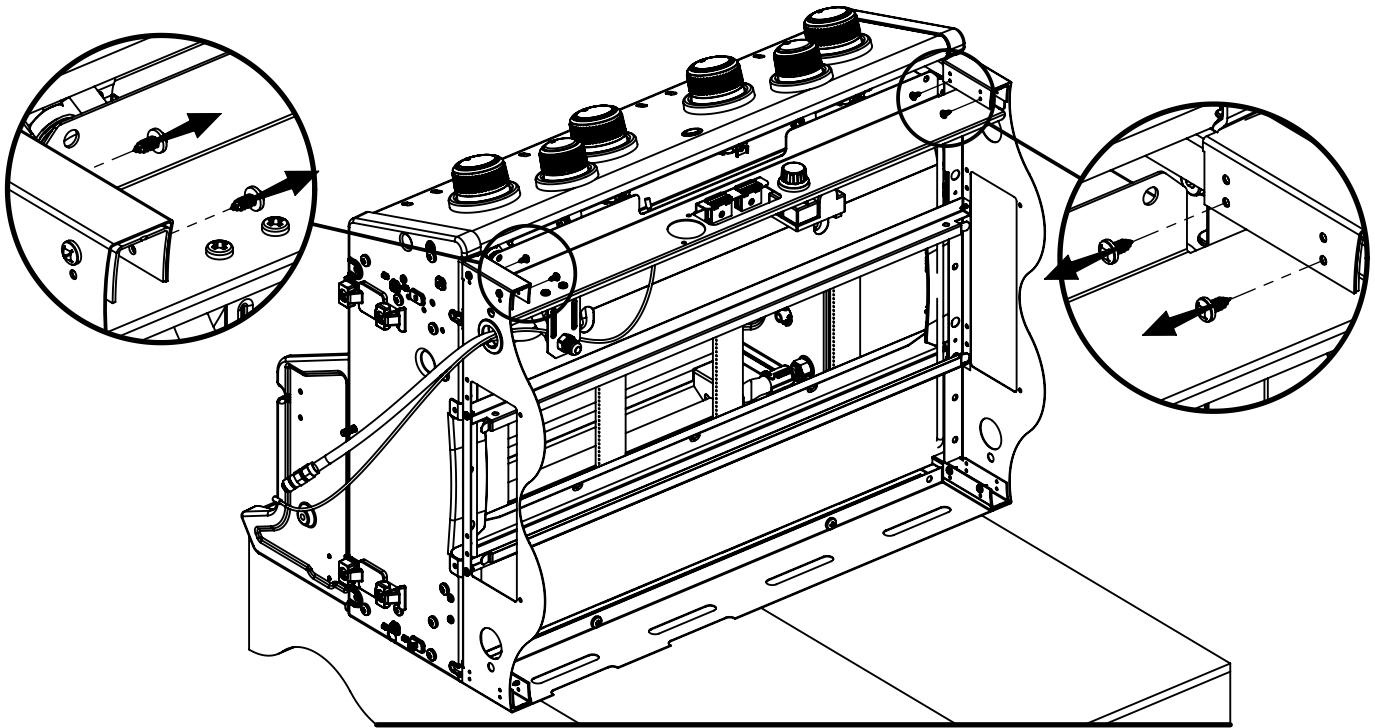


, 

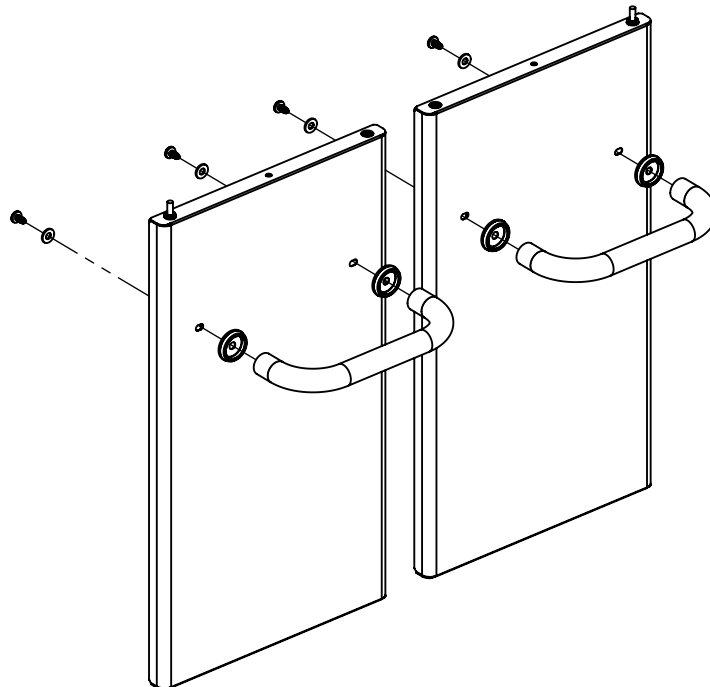
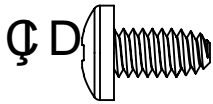


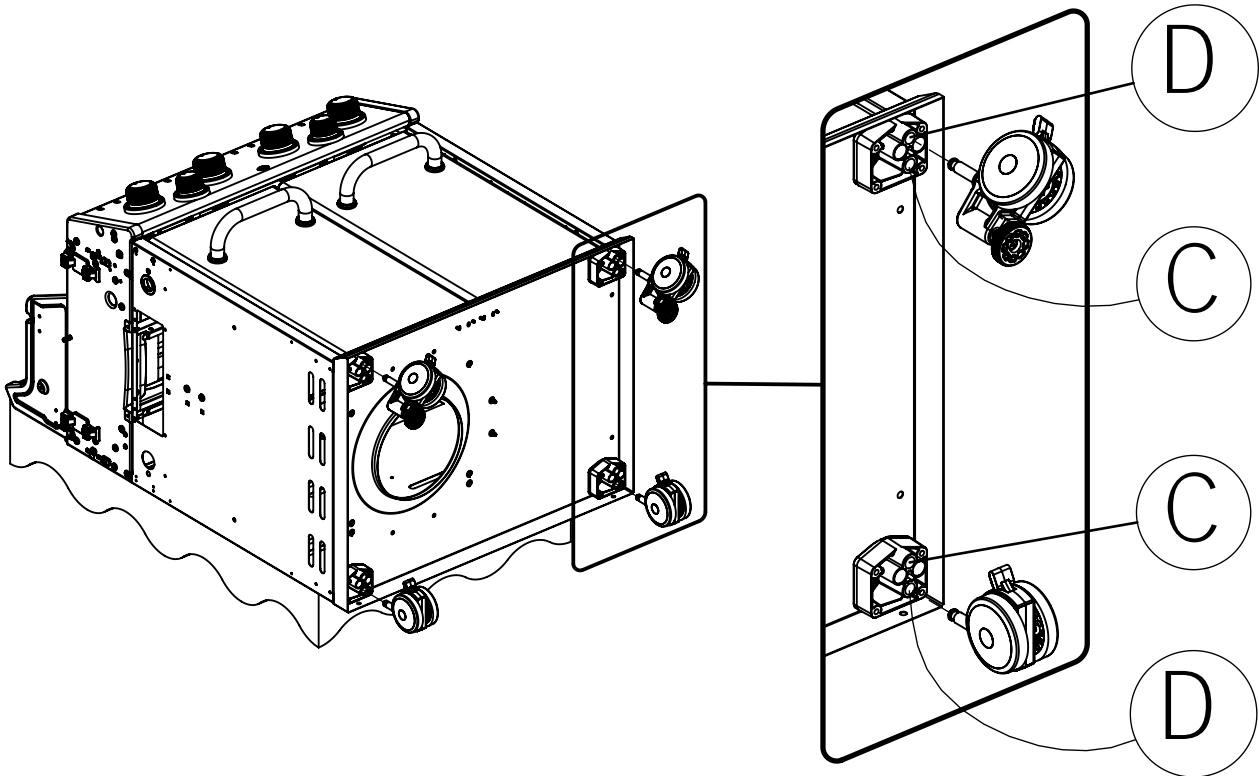
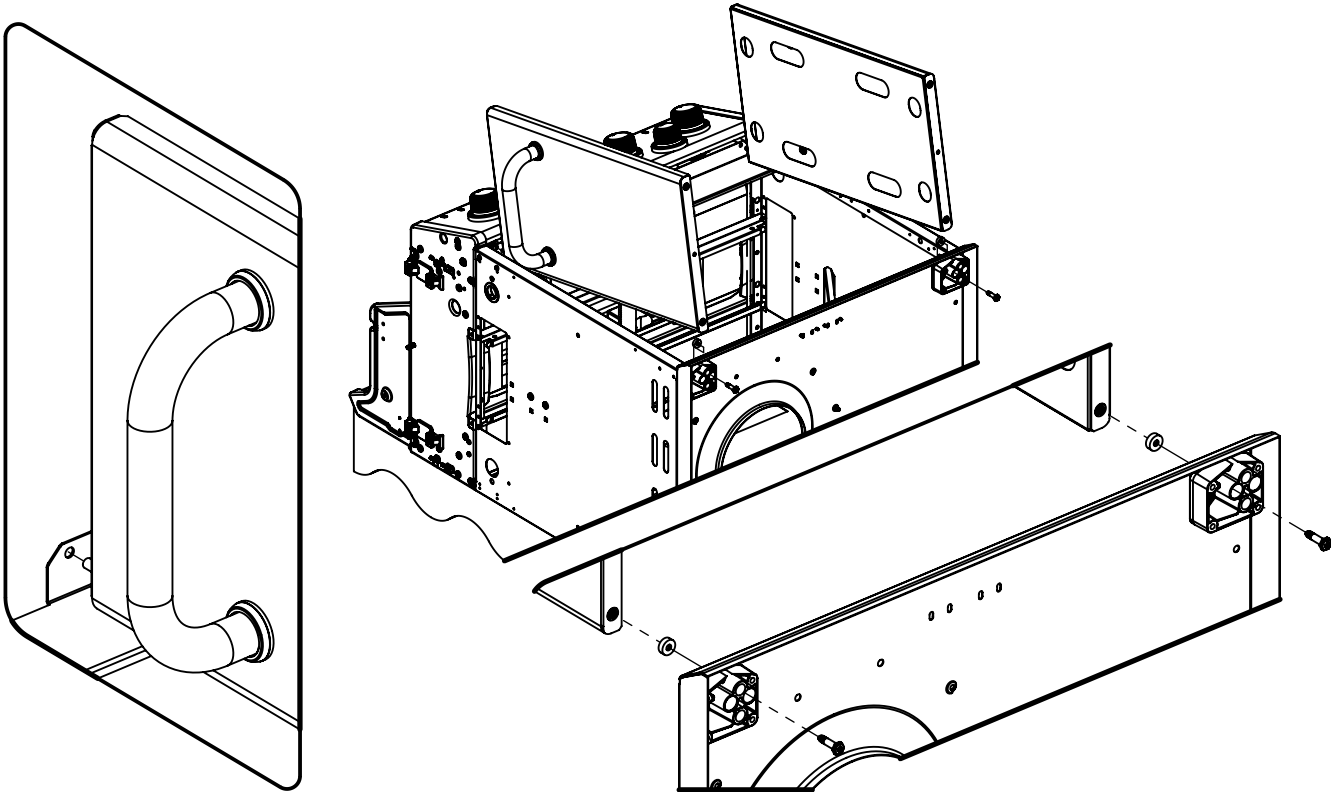
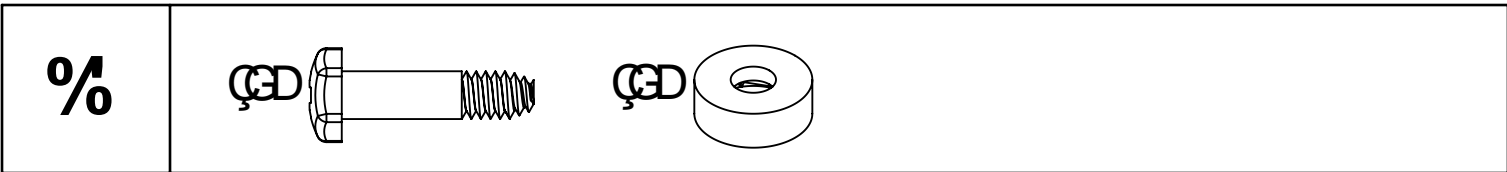


%%

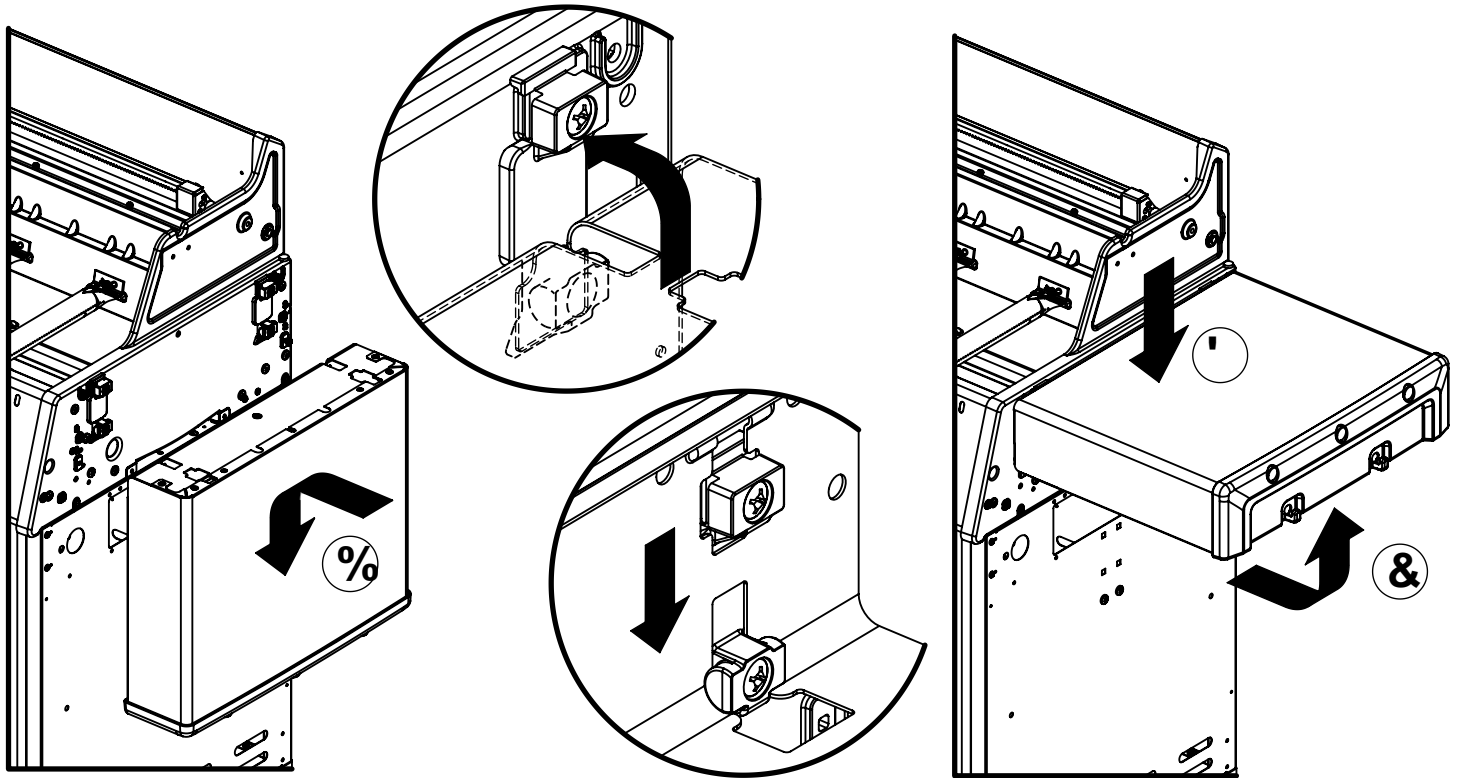


%&

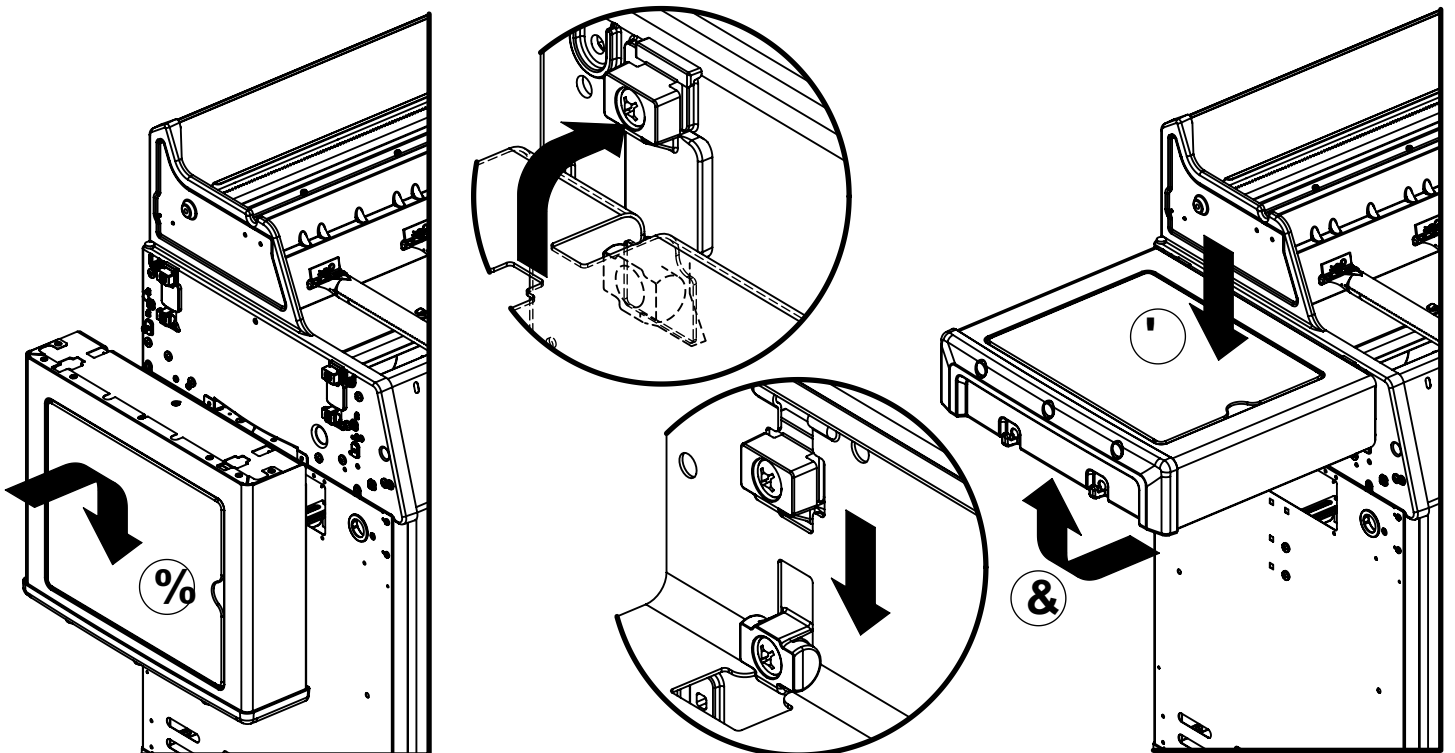


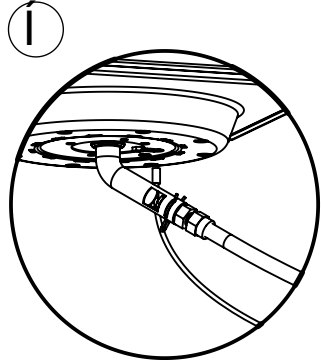
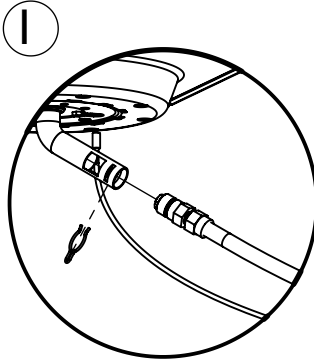
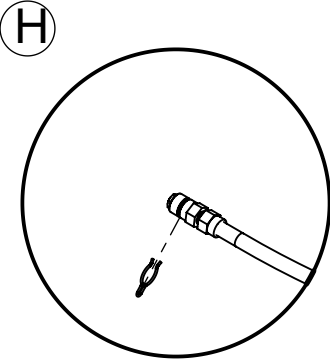
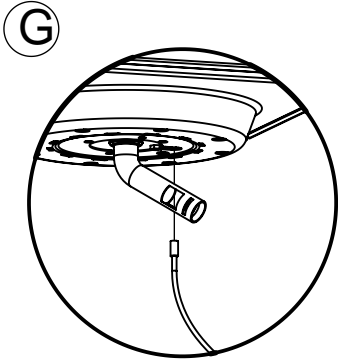
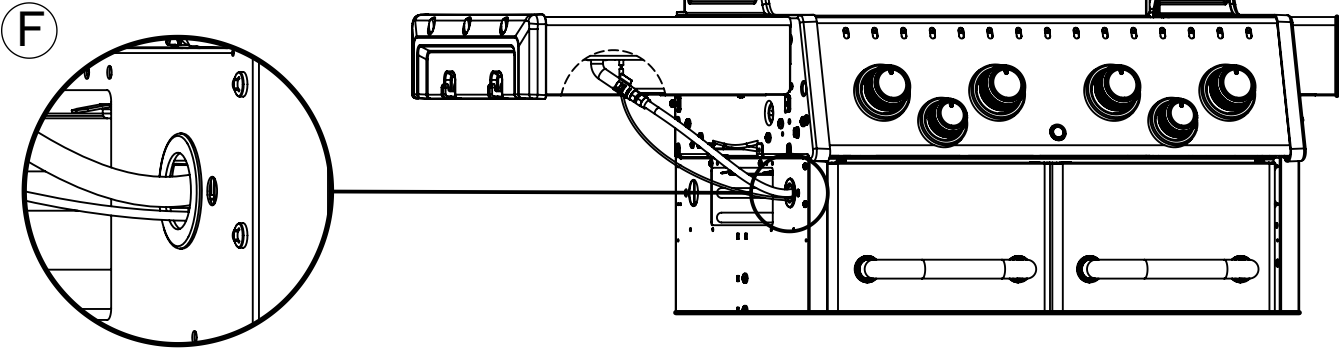
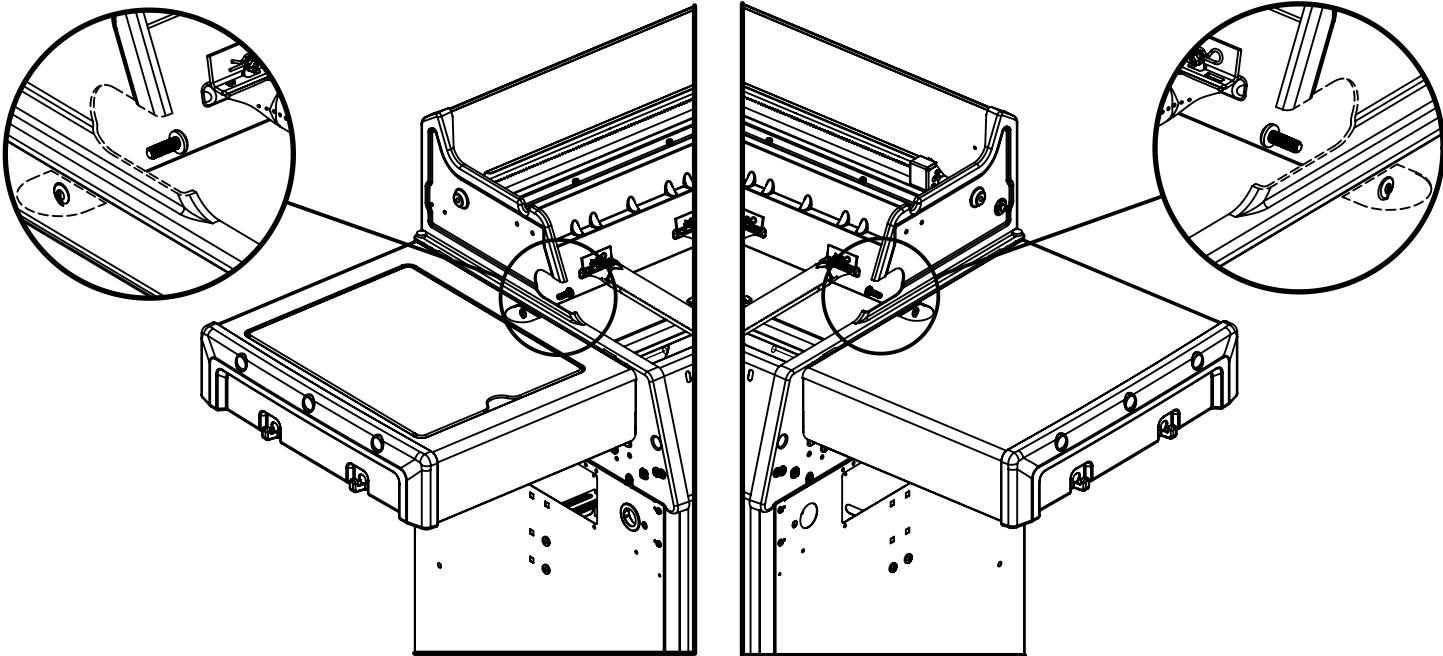


%

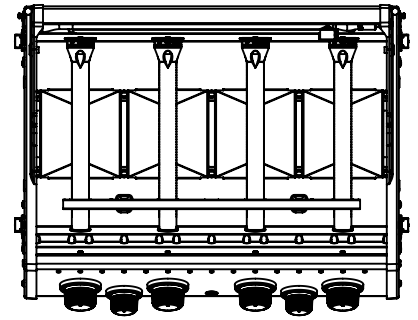
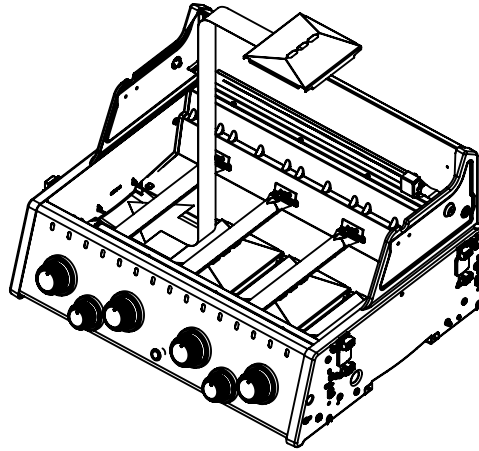
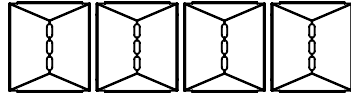
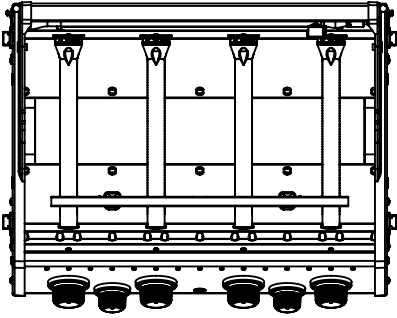


%\*

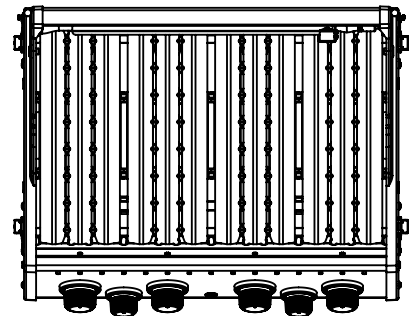
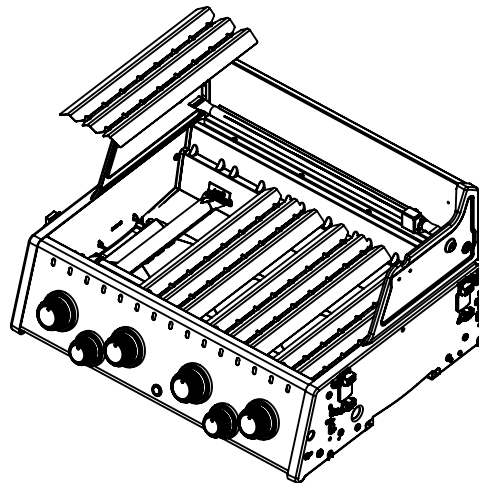
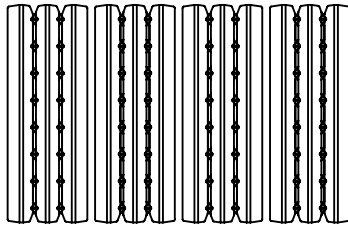
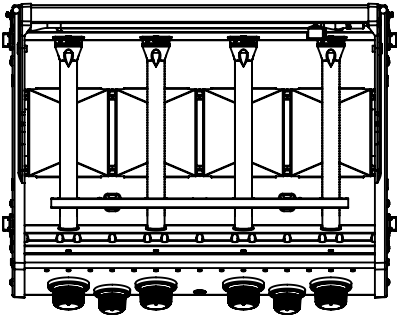




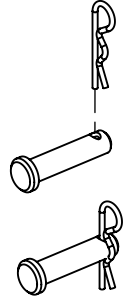
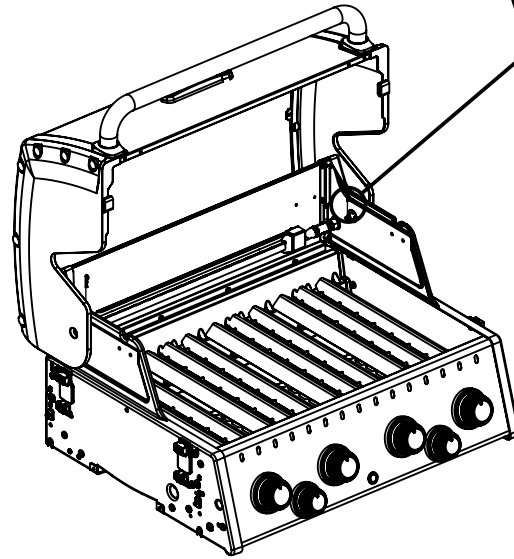
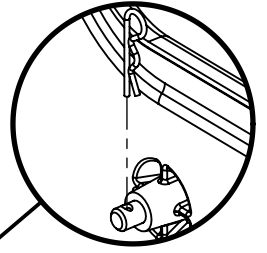
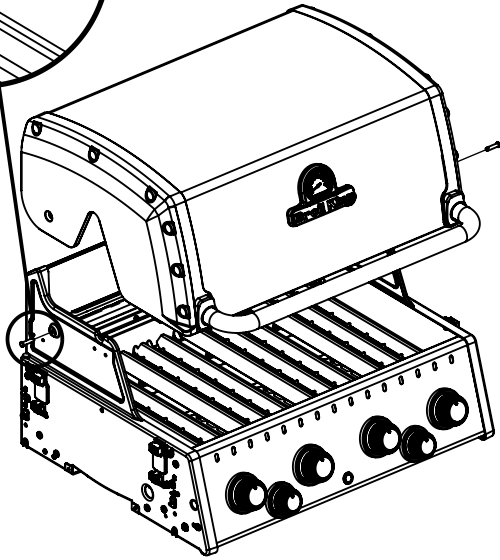
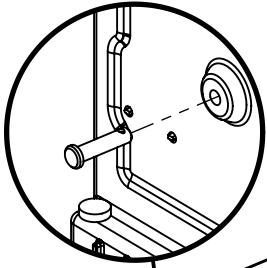
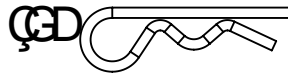
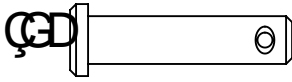
%



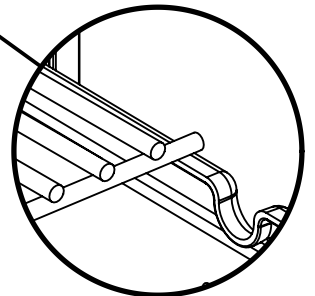
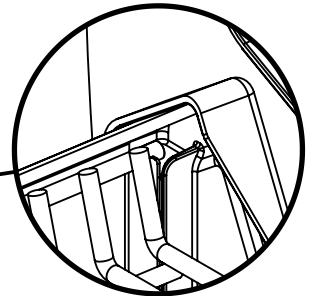
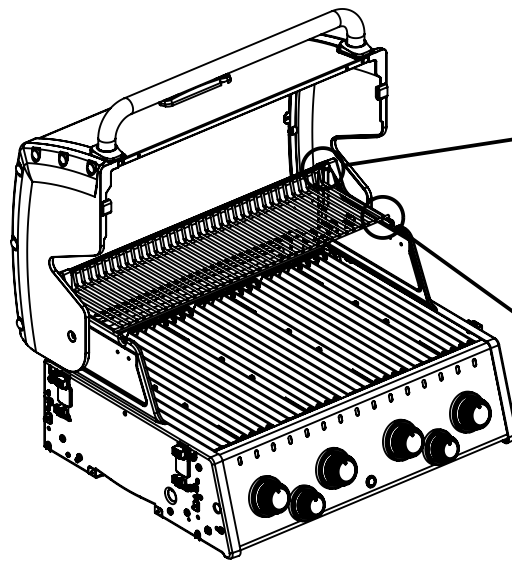
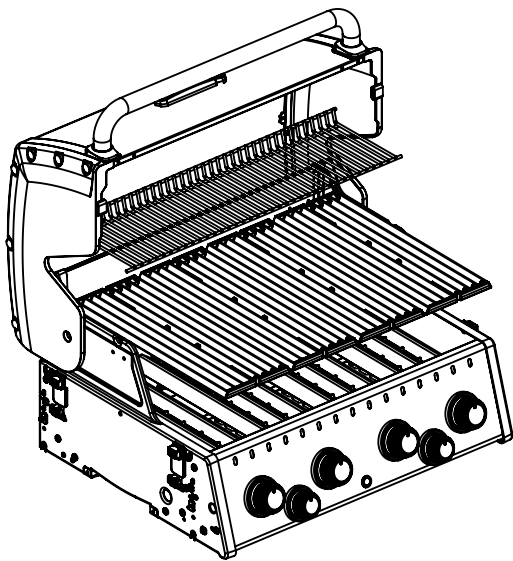
&\$

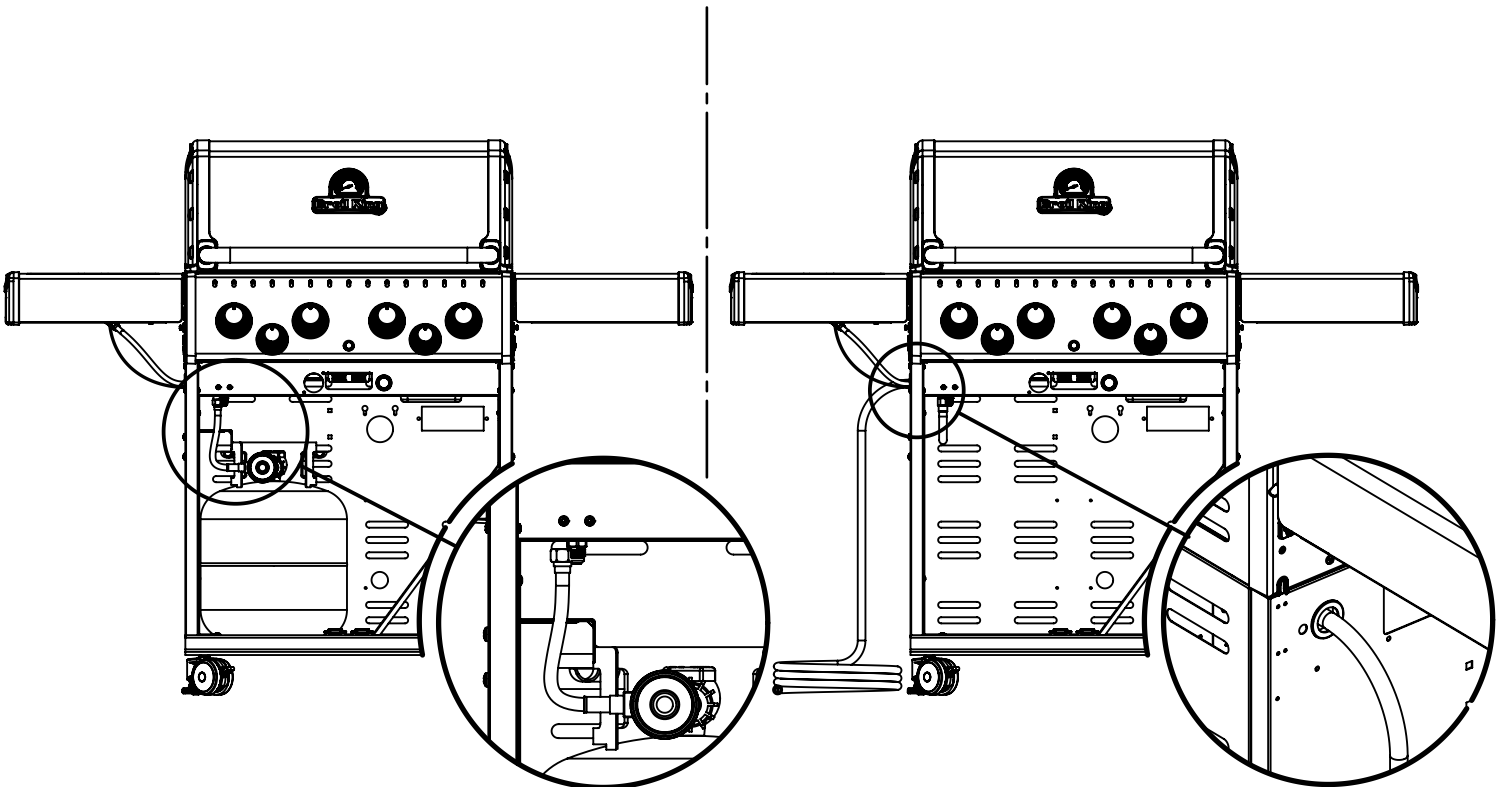
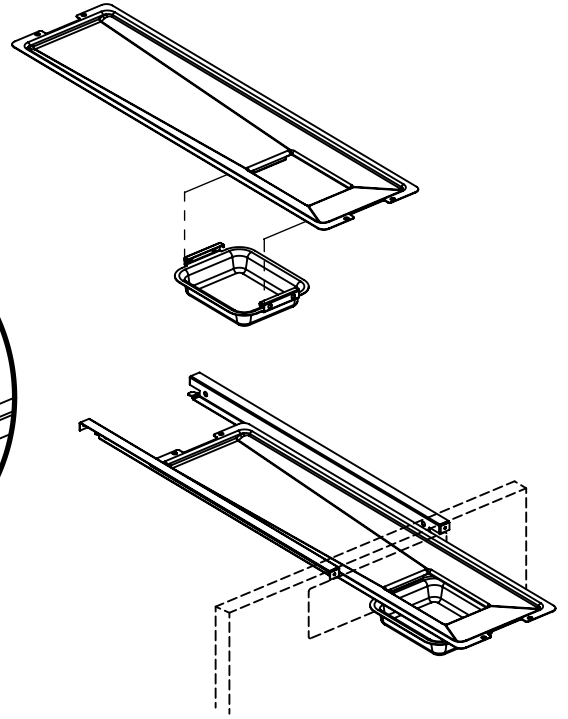
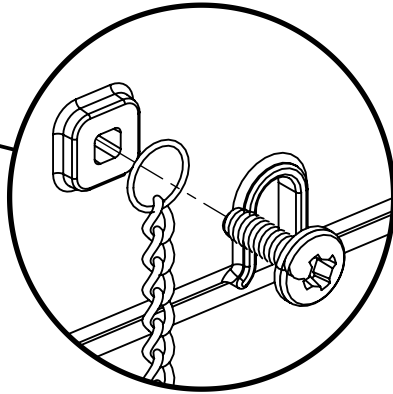
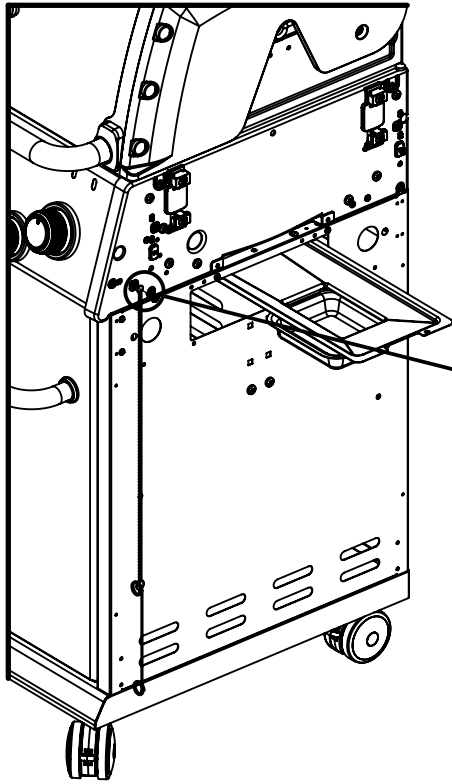
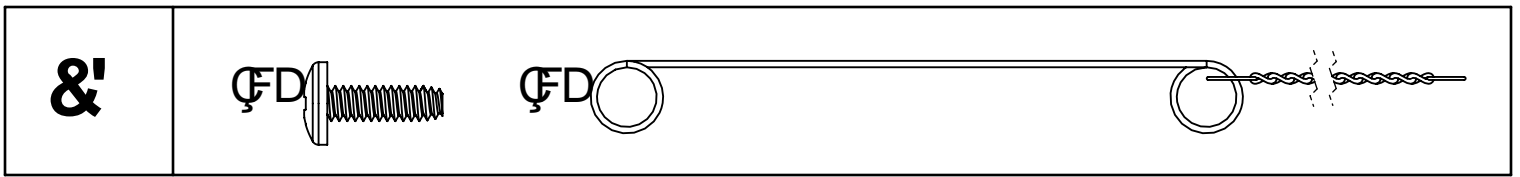


&%



&&





&

