

This Owner's Manual is provided and hosted by [Appliance Factory Parts](#).



Russell Hobbs RHM2574 Owner's Manual

[Shop genuine replacement parts for Russell Hobbs
RHM2574](#)



[Find Your Russell Hobbs Microwave Parts - Select From 40 Models](#)

----- Manual continues below -----



Russell Hobbs

Microwave USER'S GUIDE



Model No: RHM2574

For Customer Services & Spare Parts please call **0345 209 7461**
Opening times: Monday - Friday 8am – 6pm & Saturday 9am – 1pm or visit
us at www.productcareuk.com

**IMPORTANT: RETAIN FOR FUTURE
REFERENCE**

Contents

	Page
Safety instructions	3
Product Overview	9
About this microwave oven	10
Unpacking the microwave	11
Microwave oven installation	12
Turn table installation	13
Control panel	14
Using the microwave oven	15
Cleaning and care	27
Important utensil information	28
Connection to the mains supply	29
Problem solving & plug	31
Guarantee	32
Technical specification	33
Spare parts	34

For Customer Services & Spare Parts please call **0345 209 7461**
Opening times: Monday - Friday 8am – 6pm & Saturday 9am – 1pm or visit
us at **www.productcareuk.com**

Safety instructions

IMPORTANT SAFETY INSTRUCTIONS READ CAREFULLY AND KEEP FOR FUTURE REFERENCE

WARNING: The appliance and its accessible parts become hot during use. Care should be taken to avoid touching heating elements. Children less than 8 years of age shall be kept away unless continuously supervised.

WARNING: This appliance can be used by children aged from 8 years and above and persons with reduced physical, sensory or mental capabilities or lack of experience and knowledge if they have been given supervision or instruction concerning use of the appliance in a safe way and understand the hazards involved. Children shall not play with the appliance. Cleaning and user maintenance shall not be made by children without supervision.

Do not use harsh abrasive cleaners or sharp metal scrapers to clean the oven door glass since they can scratch the surface, which may result in shattering of the glass.

WARNING: Do not use the microwave when it is empty. This could damage the oven.

Safety instructions

IMPORTANT SAFETY INSTRUCTIONS READ CAREFULLY AND KEEP FOR FUTURE REFERENCE

WARNING: If the door or door seals are damaged, the oven must not be operated until it has been repaired by a competent person.

WARNING: It is hazardous other than a competent person to carry out any service or repair operation than a that involves the removal of a cover which gives protection against exposure to microwave energy.

WARNING: Liquids and other foods must not be heated in sealed containers since they are liable to explode.

Safety instructions

- Food containing a mixture of fat and water (for example, stock) should stand for 30 to 60 seconds in the oven after it has been turned off. This is to allow the mixture to settle and to prevent it from bubbling when a spoon is placed in it, or a stock cube is added.
- When heating or cooking food or liquid, remember that there are certain foods (such as, jam, Christmas puddings and mincemeat) which heat up very quickly.
- When heating or cooking foods that contain a lot of fat or sugar, do not use plastic containers.
- Always have the glass tray and turntable support in place when using the oven.
- Never remove parts from the oven such as the feet, screws and so on.
- Do not cook food directly on the glass tray. Put food on a suitable plate or in a bowl before putting it in the oven.

To reduce the risk of fire in the oven cavity:

- Do not overcook food.
- Do not leave the microwave oven unattended while you are using it and if using paper or plastic containers check regularly to ensure they do not ignite.
- Remove wire twist-ties from bags before putting the bag in the oven.
- If materials inside the oven smoke or catch fire, keep the oven door closed to stifle the flames, turn the oven off at the wall switch, or shut the power off at the fuse or circuit-breaker panel.
- If the supply cord is damaged, it must be replaced by the manufacturer, its service agent or similarly qualified persons in order to avoid a hazard.
- When heating food in plastic or paper containers, keep an eye on the oven due to the possibility of ignition.
- Only use utensils that are suitable for use in microwave ovens.

Safety instructions

- The microwave is intended for heating food and beverages. Drying of food or clothing and heating of warming pads, wheat bags, slippers, sponges, damp cloth and similar may lead to risk of injury, ignition or fire.
- If smoke is emitted, switch off or unplug the appliance and keep the door closed in order to stifle any flames.
- Microwave heating of beverages can result in delayed eruptive boiling, therefore care must be taken when handling the container.
- The contents of feeding bottles and baby food jars shall be stirred or shaken and the temperature checked before consumption, in order to avoid burns.
- Eggs in their shell and whole hard-boiled eggs should not be heated in microwave ovens since they may explode, even after microwave heating has ended.
- The oven should be cleaned regularly and any food deposits removed. Failure to maintain the oven in a clean condition could lead to deterioration of the surface that could adversely affect the life of the appliance and possibly result in a hazardous situation.
- Heat from the contents of a container may be transmitted to the container itself, so please be careful when removing it from the oven. Please remember that the food or liquid inside will be releasing some steam or will be spitting. Never cover any container fully, always leave a gap for steam to escape.
- Cooking utensils may become hot because of heat transferred from the heated food. This is especially true if plastic wrap has been covering the top and handles of the utensil. You may need oven gloves to handle the utensil.
- Ensure you do not use any corrosive chemicals or vapours in the appliance. It is not designed for industrial or laboratory use.
- Never put any objects into the openings on the outer case.

Safety instructions

- Before you clean the oven, turn it off and unplug it.
- Keep the inside of the oven clean. When food or liquids stick to the oven walls, wipe with a damp cloth. We recommend that you do not use harsh detergent or abrasives.
- On the right hand side wall of the cavity is the wave guide cover, microwaves are passed through this to enable your food to cook. It is important that this wave guide cover is kept clean at all times. To do this wipe with mild detergent and water, then dry.
- You should clean the outside of the oven with a damp cloth. Don't allow water to seep into the ventilation openings.
- Do not allow the control panel to become wet. Clean with a soft, damp cloth. Do not use detergents, abrasives or spray-on cleaners on the control panel.
- If steam builds up inside or around the outside of the oven door, wipe with a soft cloth. This may happen when the microwave oven is used in humid conditions.
- Regularly remove the glass turntable to clean it, and wash it in warm soapy water. Regularly clean the turntable support and oven floor. Simply wipe the bottom surface of the oven with mild detergent and water, then dry. You can wash the turntable support in mild soapy water.
- When removing the turntable support of the oven, make sure you put it back properly.
- If the inside of the oven smells, put a cup of water with the juice and skin of one lemon in a deep microwave bowl. Microwave it for three minutes, wipe thoroughly and then dry with a soft cloth.
- Failure to maintain the oven in a clean condition, especially if liquid is left under the turntable, could lead to deterioration of the surface that will adversely affect the life of the appliance that may result in a hazardous condition.
- Do not try to deep-fry foods in this oven.

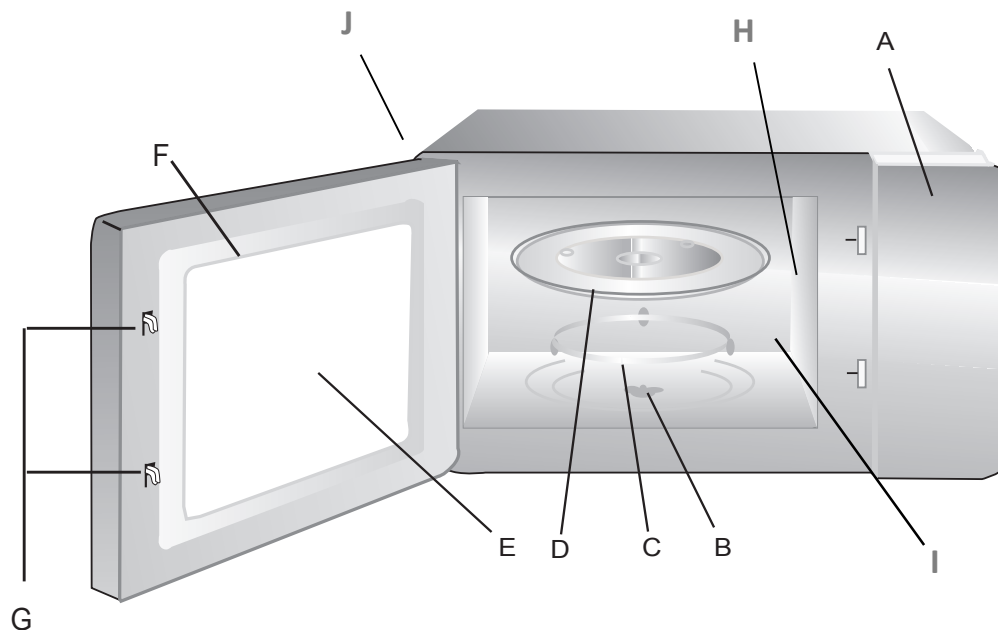
Safety instructions

- Do not use metal pans or dishes with metal handles.
- Do not use anything with a metal trim.
- Do not use paper covered wire twist-ties on plastic bags.
- Do not use melamine dishes as they contain a material which will absorb microwave energy. This may cause the dishes to crack or burn, and will slow down the cooking speed.
- Use only cookware that is approved to be used in a microwave oven.
- Do not cook using a container with a restricted opening, such as bottles, as they may explode.
- Do not heat baby bottles with the teat left on. Remove it if replacing the bottle back into the oven.
- Only use thermometers that are approved for microwave ovens.
- Do not use the microwave oven for heating utensils.
- Do not use the oven for any reason other than preparing food, such as for drying clothes, paper or any other non-food items, or for sterilising purposes.
- Do not store anything in the oven, such as papers, cookbooks .
- Do not cook any food surrounded by a membrane, such as egg yolks, potatoes, chicken livers, sausages, ready meals and so on without piercing them several times with a fork.
- Never put any objects into the openings on the outer case.
- Never remove parts from the oven such as the feet, screws and so on.
- You should use microwave utensils only in line with these instructions.
- Only use the accessories supplied by the manufacturer.

This appliance is intended to be used in the household and similar applications. It is not intended to be used in the following:

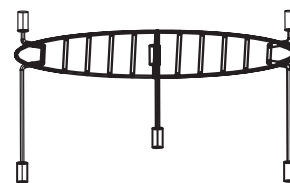
- staff kitchen areas in shops, offices and other working environments;
- farm houses;
- by clients in hotels, motels and other residential environments;
- bed and breakfast type environments.

Product overview



- A. Control panel (including door release button)
- B. Turntable shaft
- C. Turntable ring assembly
- D. Glass turntable
- E. Observation window
- F. Door assembly
- G. Safety interlock latches
- H. Waveguide cover
- I. Oven cavity
- J. Ventilation slots

Grill rack to be used for grilling
& convection cooking only.



**WARNING: Do not use the oven when empty or for warming plates.
Always keep the oven cavity, door assembly and waveguide cover
clean**

For Customer Services & Spare Parts please call **0345 209 7461**
Opening times: Monday - Friday 8am – 6pm & Saturday 9am – 1pm or visit us at
www.productcareuk.com

About this microwave oven

Microwaves are high-frequency electromagnetic waves similar to radio waves. While radio waves may vary in length from one metre to many kilometres, microwaves are very short (less than 12.5 centimetres). Microwaves do not make any heat themselves but only cause water molecules in food to vibrate. This vibration produces heat that cooks the food. This is why your food will come out of the microwave piping hot, when your utensils inside the oven stay much cooler. The microwaves do not stay in the air or in the food when you open the microwave oven door.

The microwave oven will work using an ordinary household electrical socket. Inside the microwave oven is the magnetron, which turns the electrical energy into microwaves.

Microwaves cannot go through metal, so the inside of the oven is lined with metal. The door is lined with a fine metal mesh which stops microwaves getting through. This means that when the microwave oven door is shut, there is no possibility that microwaves can be released. This is why the microwave oven has been made so that it will not work when the door is open.

For Customer Services & Spare Parts please call **0345 209 7461**
Opening times: Monday - Friday 8am – 6pm & Saturday 9am – 1pm or visit us at
www.productcareuk.com

Unpacking the microwave

Before you use your microwave oven

1. Remove all the packaging. **Do not** remove the small piece of card from the right hand side of the cavity wall. This is called a wave-guide cover and allows the microwaves to pass through to cook the food.

Please ensure you keep this cover clean at all times.

2. Check the oven after unpacking for any visual damage such as:

- A misaligned door
- Damage to the door
- Dents or holes in the door window and screen
- Dents in the inside
- If you can see any damage **do not use the oven**

This microwave oven weighs approximately 20kg so you must put it on a horizontal surface that is strong enough to support this weight.

The oven must be placed away from high temperatures and steam.

Do not put anything on the top of the microwave oven.

For Customer Services & Spare Parts please call **0345 209 7461**

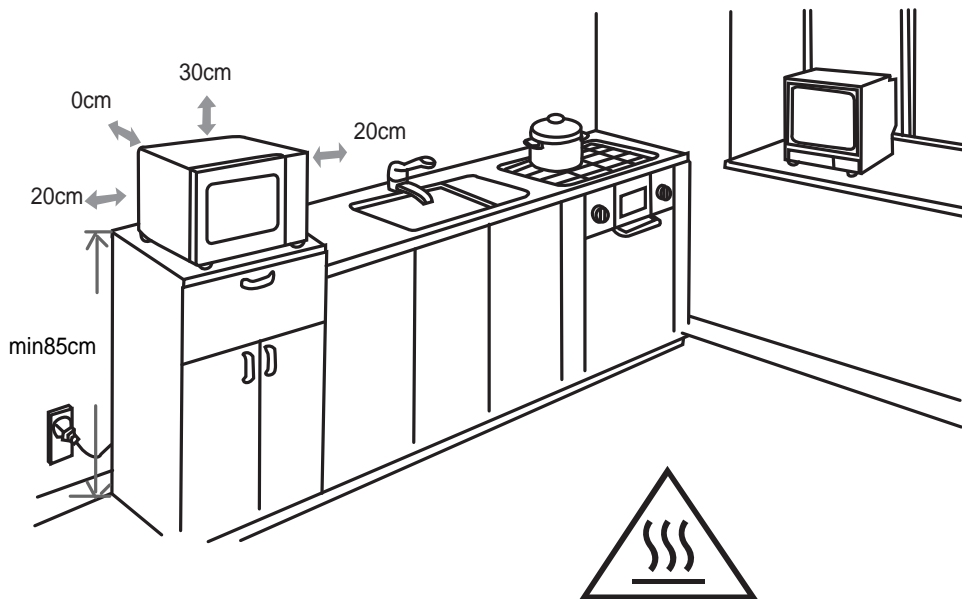
Opening times: Monday - Friday 8am – 6pm & Saturday 9am – 1pm or visit us at

www.productcareuk.com

Microwave oven installation

- Select a level surface that provides enough space for the outlet vents.
- The minimum installation height is 85cm.
A minimum clearance of 20cm is required between the oven and any adjacent walls. Leave a minimum clearance of 30cm above the oven.
- Place the oven as far away from radios and TV's as possible. Using the oven may cause interference with the reception.
- Plug the oven into a suitable 13 amp mains socket, make sure the voltage is the same as on the rating label (do not use extension cables or mains socket adaptors).
- The microwave oven should be used freestanding only and must not be built-in or used in a cabinet.

WARNING: do not install the oven over a cooker or other heat producing appliance. This will damage the oven.

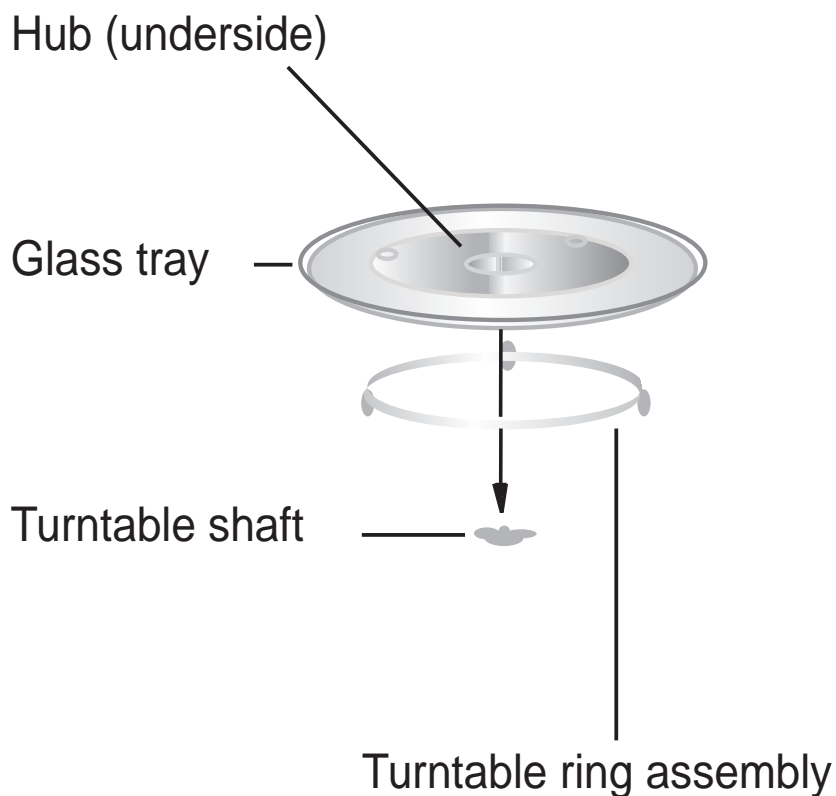


Do Not obstruct
The ventilation
From the microwave

For Customer Services & Spare Parts please call **0345 209 7461**
Opening times: Monday - Friday 8am – 6pm & Saturday 9am – 1pm or visit us at
www.productcareuk.com

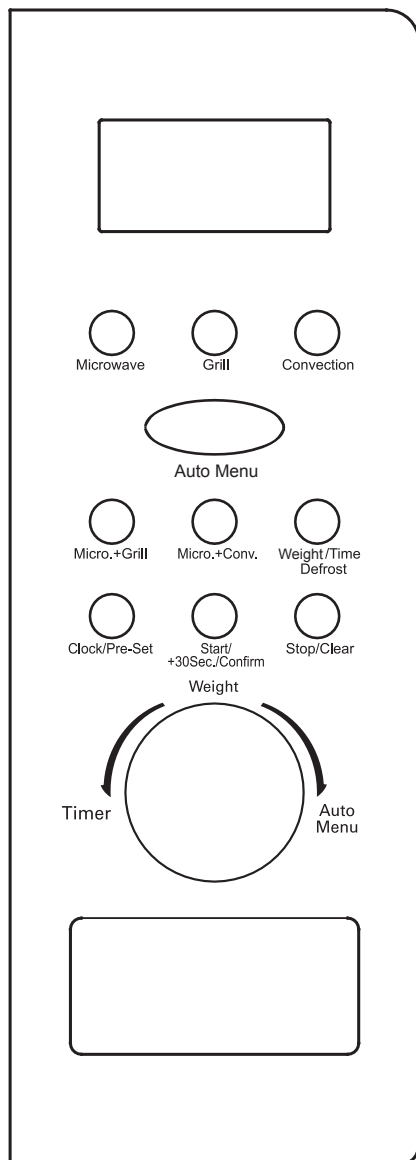
Turn table installation

- Before first use, check that any securing tape has been removed from the glass tray and turntable ring assembly. These parts must never be restricted from rotating.
- Never place the glass tray upside down.
- Both the glass tray and turntable ring assembly must always be used during cooking.
- Do not place the food directly onto the glass tray, always place on or in a suitable microwaveable cookware.
- If the glass tray or turntable ring assembly has been damaged in anyway, please contact the spares helpline number detailed on the back of this instruction manual.



For Customer Services & Spare Parts please call **0345 209 7461**
Opening times: Monday - Friday 8am – 6pm & Saturday 9am – 1pm or visit us at
www.productcareuk.com

Control panel



MENU ACTION SCREEN Cooking time, power, action indicators, and clock time are displayed.

CLOCK/PRESET Press this button to set the clock.

MICROWAVE Press this button to use the microwave function.

GRILL Press this button to use the grill and combination cooking. The grill element is located on the top of the cavity.

MICRO & GRILL For combination cooking

MICRO & CONV For combination cooking

CONVECTION Press this button to use the convection function, an element at the back of the unit is used for convection cooking

W.T./TIME/DEFROST Press this button for the defrost function.

AUTO MENU Turn the dial to access the auto menu.

TIMER/WEIGHT This rotational dial is used for a number of functions.

STOP/CLEAR Press the Stop/Clear button to clear everything.

START/+30 SEC/CONFIRM Press this button to start the cooking process.

For Customer Services & Spare Parts please call **0345 209 7461**
Opening times: Monday - Friday 8am – 6pm & Saturday 9am – 1pm or visit us at
www.productcareuk.com

Using the microwave oven

Clock Setting

When the microwave oven is first turned on, the oven will display "0:00", the buzzer will ring once.

- 1) Press "**CLOCK/PRE-SET**" to choose hours or minutes for alteration. The hour figures will flash. When altering the hours the "0" on the Left Hand Side will flash.
- 2) Turn the "**TIMER/WEIGHT/AUTO MENU**" dial to adjust the hour figures, the input time should be within 0 - 23 (this is a 24-hour clock).
- 3) Press "**CLOCK/PRE-SET**" button again and the minute figures will flash.
- 4) Turn the "**TIMER/WEIGHT/AUTO MENU**" dial to adjust the minute figures, the input time should be within 0 - 59 (60-minutes).
- 5) Press "**CLOCK/PRE-SET**" to finish the clock setting procedure. The ":" will then flash.

Note:

- 1) If the clock is not set, the microwave will not function when powered.
- 2) During the process of clock setting, if you press "**STOP/CLEAR**", the oven will return to the previous setting, such as back to hours, from the minutes selection.

For Customer Services & Spare Parts please call **0345 209 7461**

Opening times: Monday - Friday 8am – 6pm & Saturday 9am – 1pm or visit us at
www.productcareuk.com

Using the microwave oven

Microwave Cooking

- 1) Press the **"MICROWAVE"** button once, and **"P100"** will display and flash.
- 2) Turn the **"TIMER/WEIGHT/AUTO MENU"** to select the microwave power. **"P100", "P80", "P50", "P30", "P10"** will be displayed.

or

Press the **"MICROWAVE"** button to scroll through the power levels.

- 3) Press **"START/+30SEC/CONFIRM"** to confirm.
- 4) Turn the **"TIMER/WEIGHT/AUTO MENU"** dial to adjust the cooking time. (The time setting should be between 0:05- 95:00.)
- 5) Press **"START/+30SEC/CONFIRM"** to start the cooking process.

Press power button	Cooking power	Equivalent power rating
P100	100%	900 W
P80	80%	720 W
P50	50%	450 W
P30	30%	270W
P10	10%	90W

To stop the cooking process at anytime press the **"STOP/CLEAR"** button.

For Customer Services & Spare Parts please call **0345 209 7461**

Opening times: Monday - Friday 8am – 6pm & Saturday 9am – 1pm or visit us at

www.productcareuk.com

Using the microwave oven

Grill Cooking

- 1) Press the **"GRILL"** button once, and **"G-1"** will display.
- 2) Turn **"TIMER/WEIGHT/AUTO MENU"** to adjust the cooking time. (The time setting should be 0:05- 95:00.)
- 3) Press **"START/+30 SEC./CONFIRM"** button to start the cooking process.

Note: Half way through the grill time, the unit will pause and sound twice to tell you to turn the food over. In order to achieve more even grilling, you should turn the food over, close the door, and then press **"START/+30 SEC./CONFIRM"** to continue cooking. If the food is not turned, the oven will continue cooking without interruption .

Combination Cooking (Microwave + Grill)

- 1) Press the **"MICRO + GRILL"** button once, and **"G-2"** will display.
- 2) Turn the **"TIMER/WEIGHT/AUTO MENU"** dial to select the combination preferred cooking method. Stop turning when **"G-2"**, **"G-3"**, **"G-4"** are on the display.
The table on the next page indicates how the cooking time is divided.
- 3) Press the **"START/+30 SEC./CONFIRM"** button to confirm.
- 4) Turn **"TIMER/WEIGHT/AUTO MENU"** dial to adjust the cooking time. (The time setting should be 0:05- 95:00).
- 5) Press **"START/+30 SEC./CONFIRM"** to start the cooking process.

For Customer Services & Spare Parts please call **0345 209 7461**
Opening times: Monday - Friday 8am – 6pm & Saturday 9am – 1pm or visit us at
www.productcareuk.com

Using the microwave oven

Combination Cooking (Microwave + Convection + Grill)

- 1) Press the **"MICRO + CONV"** button once, and "C-1" will display.
- 2) Turn the **"TIMER/WEIGHT/AUTO MENU"** dial to select the combination preferred cooking method. Stop turning when "C-1", "C-2", "C-3" and "C-4" are on the display.
- 3) Press the **"START/+30 SEC./CONFIRM"** button to confirm.
- 4) Turn **"TIMER/WEIGHT/AUTO MENU"** dial to adjust the cooking time. (The time setting should be 0:05- 95:00).
- 5) Press **"START/+30 SEC./CONFIRM"** to start the cooking process.

For the various settings the cooking time is divided as below;

	Microwave	Grill	Convection
C-1	x		x
	900W		165°C
	Duration: 8 seconds		Duration: 21 seconds
C-2	x		x
	900W		165°C
	Duration: 11 seconds		Duration: 18 seconds
C-3	x		x
	900W		200°C
	Duration: 14 seconds		Duration: 15 seconds
C-4	x	x	x
	900W	200°C	200°C
	Duration: 8 seconds	Duration: 21 seconds	Duration: 21 seconds

Using the microwave oven

Convection Cooking (with preheating function)



The convection cooking allows you to cook food using the unit as a traditional oven, the microwave function is not used. It is recommended that you preheat the oven to the appropriate temperature before placing the food in the oven.

- 1) Press the **“CONVECTION”** button once, and **“150”**, the cooking temperature will flash.
- 2) Turn the **“TIMER/WEIGHT/AUTO MENU”** dial to select the desired convection function temperature. Note: the temperature can be chosen from 150 degrees to 240 degrees, in 10 degree intervals.
- 3) Press the **“START/+30 SEC./CONFIRM”** button to confirm the chosen temperature.
- 4) Press the **“START/+30 SEC./CONFIRM”** button to start the preheating. When the preheating temperature is reached, the buzzer will sound twice to remind you to place the food in the oven. The preheated temperature will display and flash. Open the door and place the food in the microwave oven, then close the door.
- 5) Turn **“TIMER/WEIGHT/AUTO MENU”** dial to adjust the cooking time. (The maximum time available is 95 minutes.)
- 6) Press the **“START/+30 SEC./CONFIRM”** button to start cooking.

Note:

- a. The cooking time cannot be put in until the preheating temperature is achieved. Once the temperature is achieved the door must be opened to input the cooking time.
- b. If the time is not put in during 5 minutes of reaching the temperature, the oven will stop preheating. The buzzer sound five times and turn back to the waiting state.

Using the microwave oven

Convection Cooking (Without pre-heating function)



- 1) Press the **"CONVECTION"** button once, and **"150"**, the cooking temperature will flash.
- 2) Turn the **"TIMER/WEIGHT/AUTO MENU"** dial to select the desired convection function temperature. Note: the temperature can be chosen from 150 degrees to 240 degrees, in 10 degree intervals.
- 3) Press the **"START/+30 SEC./CONFIRM"** button to confirm the chosen temperature.
- 4) Turn the **"TIMER/WEIGHT/AUTO MENU"** dial to adjust the cooking time. (The maximum setting time is 95 minutes.)
- 5) Press the **"START/+30SEC./CONFIRM"** key to start cooking.

Multi-Stage Cooking



Two stages can be set. If one of the stages is for defrosting this should be programmed to come on first. The buzzer will ring once after each stage and then the next stage will start.

Note: The Auto menu or the preheating functions cannot be set as one of the multi-stage cooking.

Example: if you want to defrost the food for 5 minutes, then to cook with 80% microwave power for 7 minutes. The steps are as following:

- 1) Press **"WEIGHT/TIME DEFROST"** twice, the screen will display **"dEF2"**;
- 2) Turn the **"TIMER/WEIGHT/AUTO MENU"** dial to adjust the defrost time to 5 minutes;
- 3) Press the **"MICROWAVE"** button once;
- 4) Turn the **"TIMER/WEIGHT/AUTO MENU"** dial to choose 80% microwave power till **"P80"** displays (see earlier instructions for power levels).
- 5) Press **"START/+30SEC./CONFIRM"** to confirm;
- 6) Turn the **"TIMER/WEIGHT/AUTO MENU"** dial to adjust the cooking time of 7 minutes;
- 7) Press **"START/+30SEC./CONFIRM"** to start cooking.

Using the microwave oven

Pre-set time to start functions

- 1) Set the clock first. (Consult the instruction of clock setting).
- 2) Input the cooking program. A maximum of two stages can be set. Do not use the defrost function in the pre-set function. The auto menu can be set for a single stage only.

Example: if you want to cook with 80% microwave power for 7 minutes.

- a. Press the **"MICROWAVE"** button once;
- b. Turn the **"TIMER/WEIGHT/AUTO MENU"** dial to choose 80% microwave power till "P80" is displayed;
- c. Press **"START/+30SEC/CONFIRM"** button to confirm;
- d. Turn **"TIMER/WEIGHT/AUTO MENU"** dial to adjust the cooking time to 7 minutes;

After the above steps, do not press **"START/+30SEC /CONFIRM"** button, but do as follows :

- 3) Press the **"CLOCK/PRE-SET"** button, the current time displays and the hour figures flash.
- 4) Turn **"TIMER/WEIGHT/AUTO MENU"** dial to adjust the hours, the input time should be within 0--23.
- 5) Press **"CLOCK/PRE-SET"** button and the minute figures will flash.
- 6) Turn the **"TIMER/WEIGHT/AUTO MENU"** dial to adjust the minutes, the input time should be within 0--59.
- 7) Press **"START/+30SEC/CONFIRM"** to finish setting.

The ":" will light, the buzzer will ring twice when the time to start arrives, and then cooking will start automatically.

Note: The clock must be set first. Otherwise, the pre-set function will not work.

Using the microwave oven

Quick Start cooking

- 1) Press the "**START/+30SEC./CONFIRM**" key to cook with 100% power level for 30 seconds. Each press on the same key can increase the cooking time by 30 seconds. The maximum cooking time is 95 minutes.
- 2) During the microwave, grill, convection and combination cooking process, cooking time can be increased by pressing "**START/+30SEC./CONFIRM**". Each press on the same key can increase the microwave cooking by 30 seconds.

Note: this function cannot work under defrost, multi-stage and auto menu cooking

Timed Quick Start cooking

- 1) Turn the "**TIMER/WEIGHT/AUTO MENU**" dial to anti clockwise to adjust the cooking time. (The maximum setting time is 95 minutes.). Reduce the cooking time by rotating further anti clockwise.
- 2) Press the "**START/+30SEC./CONFIRM**" key to start the cooking process on 100% power level.

Using the microwave oven

Defrosting by Weight



- 1) Press "**WEIGHT/TIME DEFROST**" button once, the oven will display "dEF1".
- 2) Turn the "**TIMER/WEIGHT/AUTO MENU**" dial to select the weight of the food. At the same time, "g" will illuminate in red. The weight should be set between 100-2000g.
- 3) Press the "**START/+30SEC./CONFIRM**" key to start defrosting.

Defrosting by Time

- 1) Press "**WEIGHT/TIME DEFROST**" key twice and the oven will display "dEF2".
- 2) Turn the "**TIMER/WEIGHT/AUTO MENU**" dial to select the cooking time. The maximum setting time is 95 minutes.
- 3) Press "**START/+30SEC./CONFIRM**" key to start the defrosting process.

Auto Menu

AUTO

- 1) Press the "**AUTO MENU**" button, turn the "**TIMER/WEIGHT/AUTO MENU**" dial clockwise to choose the required function, and "A-1", "A-2", "A-3" "A-10" will be displayed.
- 2) Press the "**START/ +30 SEC./CONFIRM**" button to confirm the menu you need.
- 3) Turn the "**TIMER/WEIGHT/AUTO MENU**" dial to choose the weight of menu.
- 4) Press "**START/ +30 SEC./CONFIRM**" to start the cooking process.

Note: When you choose A-8 cake, please do not put the cake mix in to the oven immediately.

The oven needs to be preheated to 180 degree first. After several minutes, the buzzer sounds twice to remind you to put the cake into the oven. After putting the cake in the oven, please press start again.

The timer will count down, and the cake will be cooked perfectly.

Using the microwave oven

Menu	Weight(g)	Display	Power
A-1 Reheat	150	150	100%
	250	250	
	350	350	
	450	450	
	600	600	
A-2 Potato	1 (about 230g)	1	100%
	2 (about 460g)	2	
	3 (about 690g)	3	
A-3 Meat	150	150	100%
	300	300	
	450	450	
	600	600	
A-4 Vegetable	150	150	100%
	350	350	
	500	500	
A-5 Fish	150	150	80%
	250	250	
	350	350	
	450	450	
	650	650	
A-6 Pasta	50(with water 450ml)	50	80%
	100(with water 800ml)	100	
	150(with water 1200ml)	150	
A-7 Soup	200	200	100%
	400	400	
	600	600	
A-8 Cake	475	475	Preheat at 180 degrees
A-9 Pizza	200	200	C-4
	300	300	
	400	400	
A-10 Chicken	500	500	C-4
	750	750	
	1000	1000	
	1200	1200	

Using the microwave oven

Child lock

Lock on: In waiting state, press "**STOP/CLEAR**" for 3 seconds, there will be a long "beep" as the lock activates a red key will illuminate in the display. LED will display current time or 0:00.

Lock off: In locked state, press "**STOP/CLEAR**" for 3 seconds, there will be a long "beep" denoting that the lock is released, the lock symbol will disappear.

General information

- The buzzer will sound once when turning the knob at the beginning;
- The "**START/+30SEC/CONFIRM**" button must be pressed again to continue cooking if the door is opened during a cooking cycle.
- Once the cooking programme has been set, if the "**START/+30SEC/CONFIRM**" button is not pressed in 5 minutes. The current time will display and the setting will be cancelled.
- The buttons will beep if they are pressed correctly, if not pressed correctly they will not beep.
- The buzzer will sound five times to remind you when cooking is finished.
- The volume of the beeps is set, and cannot be increased or decreased.

For Customer Services & Spare Parts please call **0345 209 7461**

Opening times: Monday - Friday 8am – 6pm & Saturday 9am – 1pm or visit us at

www.productcareuk.com

Using the microwave oven

Checking Functions

- 1) During the cooking cycle, press the "**MICROWAVE**", "**GRILL**", "**CONVECTION**", "**MICRO.+GRILL**", "**MICRO.+CONV.**" button and the current power will be displayed for 2-3 seconds.
- 2) In pre-set state, press the "**CLOCK/PRE-SET**" button to check the time when the cooking will start. The pre-set time will flash for 2-3 seconds, then the oven will turn back to the clock display.
- 3) During the cooking cycle, press the "**CLOCK/PRE-SET**" button to check the current time. It will be displayed for 2-3 seconds.

For Customer Services & Spare Parts please call **0345 209 7461**

Opening times: Monday - Friday 8am – 6pm & Saturday 9am – 1pm or visit us at
www.productcareuk.com

Cleaning and care

- Before you clean the oven, turn it off and unplug it.
- Keep the inside of the oven clean. When food or liquids stick to the oven walls, wipe with a damp cloth. We recommend that you do not use harsh detergent or abrasives.
- On the right hand side wall of the cavity is the wave guide cover, microwaves are passed through this to enable your food to cook. It is important that this wave guide cover is kept clean at all times. To do this wipe with mild detergent and water, then dry.
- You should clean the outside of the oven with a damp cloth. Don't allow water to seep into the ventilation openings.
- Do not allow the control panel to become wet. Clean with a soft, damp cloth. Do not use detergents, abrasives or spray-on cleaners on the control panel.
- If steam builds up inside or around the outside of the oven door, wipe with a soft cloth. This may happen when the microwave oven is used in humid conditions.
- Regularly remove the glass turntable to clean it, and wash it in warm soapy water. Regularly clean the turntable support and oven floor. Simply wipe the bottom surface of the oven with mild detergent and water, then dry. You can wash the turntable support in mild soapy water.
- When removing the turntable support of the oven, make sure you put it back properly.
- If the inside of the oven smells, put a cup of water with the juice and skin of one lemon in a deep microwave bowl. Microwave it for three minutes, wipe thoroughly and then dry with a soft cloth.
- Failure to maintain the oven in a clean condition, especially if liquid is left under the turntable, could lead to deterioration of the surface that will adversely affect the life of the appliance that may result in a hazardous condition.

Important utensil information

- Do not use metal pans or dishes with metal handles.
- Do not use anything with a metal trim.
- Do not use paper covered wire twist-ties on plastic bags.
- Do not use melamine dishes as they contain a material which will absorb microwave energy. This may cause the dishes to crack or burn, and will slow down the cooking speed.
- Use only cookware that is approved to be used in a microwave oven.
- Do not cook using a container with a restricted opening, such as bottles, as they may explode.
- Do not heat baby bottles with the teat left on. Remove it if replacing the bottle back into the oven.
- Only use thermometers that are approved for microwave ovens.
- Do not use the microwave oven for heating utensils.

For Customer Services & Spare Parts please call **0345 209 7461**

Opening times: Monday - Friday 8am – 6pm & Saturday 9am – 1pm or visit us at

www.productcareuk.com

Connection to the mains supply

WARNING- THIS APPLIANCE MUST BE EARTHED

This appliance is designed to operate from a mains supply of 230-240V ~ 50Hz.

Check that the voltage marked on the product corresponds with your supply voltage.

This product is fitted with a 13A plug complying with BS1363.
If this plug is unsuitable or needs to be replaced, please note the following:

Important: The wires in the mains lead are coloured in accordance with the following code:

GREEN/YELLOW-EARTH

BLUE-NEUTRAL

BROWN-LIVE



DANGER
Electric
Shock Risk

For Customer Services & Spare Parts please call **0345 209 7461**
Opening times: Monday - Friday 8am – 6pm & Saturday 9am – 1pm or visit us at
www.productcareuk.com

Connection to the mains supply

For UK use only – Plug fitting details (where applicable):

As the colours of the wires in the mains lead of this appliance may not correspond with the coloured markings identifying the terminals in your plug, proceed as follows:

The GREEN/YELLOW wire is the EARTH and must be connected to the terminal which

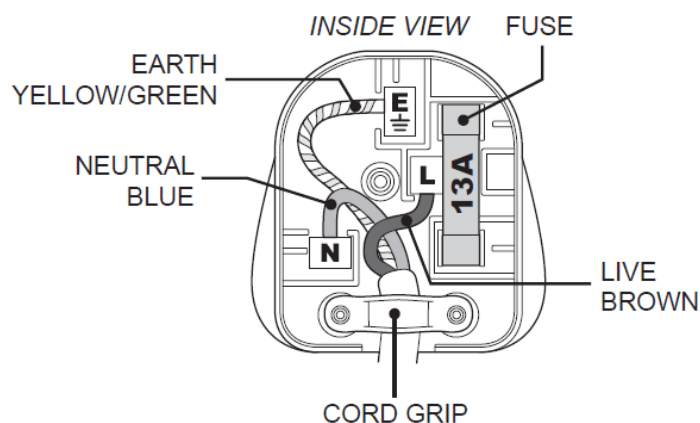
is marked with the letter E or by the earth symbol or coloured GREEN or GREEN/YELLOW.

The BLUE wire is the NEUTRAL and must be connected to the terminal marked with the letter N or coloured BLACK.

The BROWN wire is the LIVE wire and must be connected to the terminal marked with the letter L or coloured RED.

Always ensure that the plug cord grip is fastened correctly.

If a 13A (BS1363) fused plug is used it must be fitted with a 13amp fuse conforming to BS1362 and be BSI or ASTA approved.



For Customer Services & Spare Parts please call **0345 209 7461**
Opening times: Monday - Friday 8am – 6pm & Saturday 9am – 1pm or visit us at
www.productcareuk.com

Problems solving & plug

Problem solving

The microwave oven may cause interference to your radio, TV or similar equipment. If it does, you can get rid of the interference by moving the radio, TV or equipment as far away from your microwave oven as possible.

If the oven doesn't work -

- Make sure the mains plug is plugged in securely. If it is not, remove the plug from the socket, wait 10 seconds and plug it in again securely.
- Check the premises for a blown circuit fuse or a tripped main circuit breaker. If these seem to be working properly, test the socket with another appliance that you know works.

If the microwave power will not work –

- Check to see whether the timer is set, or the child lock is on.
- Make sure the door is securely closed. Otherwise, the microwave energy will not flow into the oven

Plug

If your appliance is supplied with a non-rewireable plug fitted to the mains lead you will find that it incorporates a fuse, the value of which is indicated either on the base of the plug or on the fuse carrier.

Should the fuse need replacing, you must use an ASTA approved fuse (conforming to BS1362) of the same rating.

If the fuse cover is lost the plug must not be used until a replacement is obtained from an electrical supplier.

If you need to remove the plug, cut it from the mains lead and dispose of it. Never attempt to re-use this plug or insert it into a socket outlet, as there is a very great risk of an electric shock.

For Customer Services & Spare Parts please call **0345 209 7461**

Opening times: Monday - Friday 8am – 6pm & Saturday 9am – 1pm or visit us at

www.productcareuk.com

Guarantee

This product is guaranteed for 12 months from the date of the original purchase. If any defect arises due to faulty materials or workmanship the faulty product must be returned to the place of purchase.

Refund or replacement is at the discretion of the store.

The following conditions apply:

- The product must be returned to the retailer with the original proof of purchase.
- The product must be installed and used in accordance with the instructions contained in this instruction guide and any other instructions for use which has been supplied.
- It must be used for domestic purposes only and for its intended use.
- This guarantee does not cover wear and tear, damage, misuse or consumable parts.

This does not affect your statutory rights.

Imported by

Sainsbury's Supermarkets Ltd.

London EC1N 2HT

For Customer Services & Spare Parts please call **0345 209 7461**

Opening times: Monday - Friday 8am – 6pm & Saturday 9am – 1pm or visit us at

www.productcareuk.com

Technical Specification

SKU number	124428789
Rated Voltage	230V – 240V ~ 50Hz
Rated Input Power(Microwave)	1450-1500W
Rated Output Power(Microwave)	850-900W
Rated Power (Grill)	1050-1100W
Rated Power (Convection)	2300-2500W
Oven Capacity	25L
Turntable Diameter	315 mm
External Dimensions(WxDxH)	513mm x 498mm x 305mm
Net Weight; Approx	18.1 kg

For Customer Services & Spare Parts please call **0345 209 7461**
Opening times: Monday - Friday 8am – 6pm & Saturday 9am – 1pm or visit us at
www.productcareuk.com

Spare parts

The following spare parts are available from
www.productcareuk.com

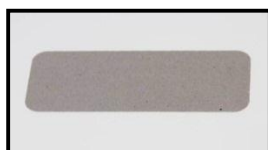
Glass turntable



Turntable coupling



Wave Guide cover



For Customer Services & Spare Parts please call **0345 209 7461**
Opening times: Monday - Friday 8am – 6pm & Saturday 9am – 1pm or visit us at
www.productcareuk.com

Notes

For Customer Services & Spare Parts please call **0345 209 7461**
Opening times: Monday - Friday 8am – 6pm & Saturday 9am – 1pm or visit us at
www.productcareuk.com

For Customer Services &
Spare Parts please call
0345 209 7461
Opening times: Monday -
Friday
8am – 6pm & Saturday 9am –
1pm or visit us at
www.productcareuk.com

Revision 3



This symbol is known as the 'Crossed-out wheeie bin Symbol'. When this symbol is marked on a product/batteries, it means that the product/batteries should not be disposed of with your general household waste. Only discard electrical/electronic/battery items in separate collection schemes, which cater for the recovery and recycling of materials contained within. Your co-operation is vital to make sure the success of these schemes and for the protection of the environment. For your nearest disposal facility, visit www.recycle-more.co.uk or ask in store for details.

We reserve the right due to possible changes to design to alter the instruction manual without prior notice.