

This Owner's Manual is provided and hosted by [Appliance Factory Parts](#).



Russell Hobbs RHM3002 Owner's Manual

[Shop genuine replacement parts for Russell Hobbs
RHM3002](#)



[Find Your Russell Hobbs Microwave Parts - Select From 40 Models](#)

----- Manual continues below -----



30 Litre microwave oven
User manual



Model number: RHM3002

Important safety instructions , please read carefully and keep them for future reference

For Customer Services & Spare Parts please call

0845 209 7461

Opening times: Monday – Friday

9am – 5pm

Contents

	Page
About this microwave oven.....	2
Unpacking your microwave oven.....	3
Safety instructions.....	4
Microwave oven installation.....	9
Feature diagram.....	10
Turn table installation.....	11
Control panel.....	12
How to use your microwave oven.....	13
Cooking.....	14
Cleaning and care.....	25
Important utensil information.....	27
Connection to the mains supply.....	28
Problem solving.....	31
Guarantee.....	32
Technical specification.....	33

For Customer Services & Spare Parts please call **0845 209 7461** Opening times: Monday Friday 9am – 5pm

About this microwave oven

Microwaves are high-frequency electromagnetic waves similar to radio waves. While radio waves may vary in length from one metre to many kilometres, microwaves are very short (less than 12.5 centimetres). Microwaves do not make any heat themselves but only cause water molecules in food to vibrate. This vibration produces heat that cooks the food. This is why your food will come out of the microwave piping hot, when your utensils inside the oven stay much cooler. The microwaves do not stay in the air or in the food when you open the microwave oven door.

The microwave oven will work using an ordinary household electrical socket. Inside the microwave oven is the magnetron, which turns the electrical energy into microwaves. Microwaves cannot go through metal, so the inside of the oven is lined with metal. The door is lined with a fine metal mesh which stops microwaves getting through. This means that when the microwave oven door is shut, there is no possibility that microwaves can be released. This is why the microwave oven has been made so that it will not work when the door is open.

For Customer Services & Spare Parts please call **0845 209 7461** Opening times: Monday Friday 9am – 5pm

Unpacking your microwave oven

Before you use your microwave oven

1. Remove all the packaging. **Do not** remove the small piece of card from the right hand side of the cavity wall. This is called a wave-guide cover and allows the microwaves to pass through to cook the food. **Please ensure you keep this cover clean at all time.**

2. Check the oven after unpacking for any visual damage such as:

- A misaligned door
- Damage to the door
- Dents or holes in the door window and screen
- Dents in the inside
- If you can see any damage **do not use the oven**

This microwave oven weighs approximately **20kg** so you must put it on a horizontal surface that is strong enough to support this weight.

The oven must be placed away from high temperatures and steam.

Do not put anything on the top of the microwave oven.

For Customer Services & Spare Parts please call **0845 209 7461** Opening times: Monday Friday 9am – 5pm

Safety instructions

Do not use the oven for any reason other than preparing food, such as for drying clothes, paper or any other non-food items, or for sterilising purposes.

- Do not use the oven when it is empty. This could damage the oven.
- Do not store anything in the oven, such as papers, cookbooks and so on.
- Do not cook any food surrounded by a membrane, such as egg yolks, potatoes, chicken livers, ready meals and so on without piercing them several times with a fork.
- Never put any objects into the openings on the outer case.
- Never remove parts from the oven such as the feet, screws and so on.
- You should use microwave utensils only in line with these instructions.
- Do not try to deep-fry foods in this oven.
- Only use the accessories supplied by the manufacturer

For Customer Services & Spare Parts please call **0845 209 7461** Opening times: Monday Friday 9am – 5pm

Safety instructions

- Heat from the contents of a container may be transmitted to the container itself, so please be careful when removing it from the oven. Please remember that the food or liquid inside will be releasing some steam or will be spitting. Never cover any container fully, always leave a gap for steam to escape.
- Cooking utensils may become hot because of heat transferred from the heated food. This is especially true if plastic wrap has been covering the top and handles of the utensil. You may need oven gloves to handle the utensil.
- The contents of feeding bottles and baby food jars shall be stirred or shaken and the temperature should be checked before consumption, in order to avoid burns.
- Always test the temperature of cooked food, never eat or drink food or liquid straight from the oven, allow it to stand for a few minutes and stir to distribute the heat evenly.

For Customer Services & Spare Parts please call **0845 209 7461** Opening times: Monday Friday 9am – 5pm

Safety instructions

- Food containing a mixture of fat and water (for example, stock) should stand for 30 to 60 seconds in the oven after it has been turned off. This is to allow the mixture to settle and to prevent it from bubbling when a spoon is placed in it, or a stock cube is added.
- When heating or cooking food or liquid, remember that there are certain foods (such as Christmas puddings, jam and mincemeat) which heat up very quickly.
- When heating or cooking foods that contain a lot of fat or sugar, do not use plastic containers.
- Always have the glass tray and turntable support in place when using the oven.
- Never remove parts from the oven such as the feet, screws and so on.
- Do not cook food directly on the glass tray. Put food on a suitable plate or in a bowl before putting it in the oven.

For Customer Services & Spare Parts please call **0845 209 7461** Opening times: Monday Friday 9am – 5pm

Safety instructions

To reduce the risk of fire in the oven cavity:

- Do not overcook food.
- Do not leave the microwave oven unattended while you are using it and if using paper or plastic containers check regularly to ensure they do not ignite.
- Remove wire twist-ties from bags before putting the bag in the oven.
- If materials inside the oven smoke or catch fire, keep the oven door closed to stifle the flames, turn the oven off at the wall switch, or shut the power off at the fuse or circuit-breaker panel.
- If the supply cord is damaged, it must be replaced by the manufacturer, its service agent or similarly qualified persons in order to avoid a hazard.

Warning: Children should not use this microwave oven.

Warning: This appliance is not intended for use by persons (including children) with reduced physical, sensory or mental capabilities, or lack of experience and knowledge, unless they have been given supervision or instruction concerning use of the appliance by a person responsible for their safety. Children should be supervised to make sure that they do not play with the appliance.

Safety instructions

Warning: it is hazardous for anyone other than a competent person to carry out any service or repair operation which involves the removal of a cover which gives protection against exposure to microwave energy.

Warning: if the door or door seals are damaged, the oven must not be operated until it has been repaired by a competent person. The door seals are located around the window on the inside of the door. These seals are not airtight, although no microwaves can be released, it is normal for small amounts of air or steam to escape when the oven is in use.

Warning: Liquids and other foods must not be heated in sealed containers as they are liable to explode.

Warning: do not use the microwave when it is empty.

For Customer Services & Spare Parts please call **0845 209 7461** Opening times: Monday Friday 9am – 5pm

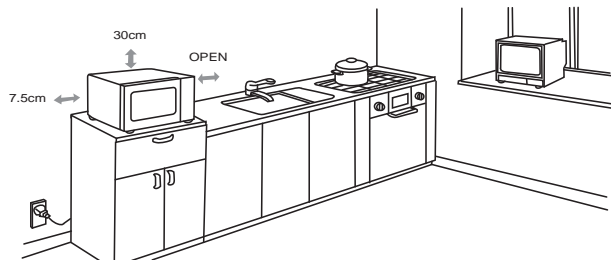
Microwave oven installation

- Select a level surface that provides enough space for the outlet vents.
- A minimum clearance of 7.5cm is required between the oven and any adjacent walls. One side must be open. Leave a minimum clearance of 30cm above the oven.
- Place the oven as far away from radios and TV's as possible. Using the oven may cause interference with the reception.
- Plug the oven into a suitable 13 amp mains socket, make sure the voltage is the same as on the rating label (do not use extension cables or mains socket adaptors).

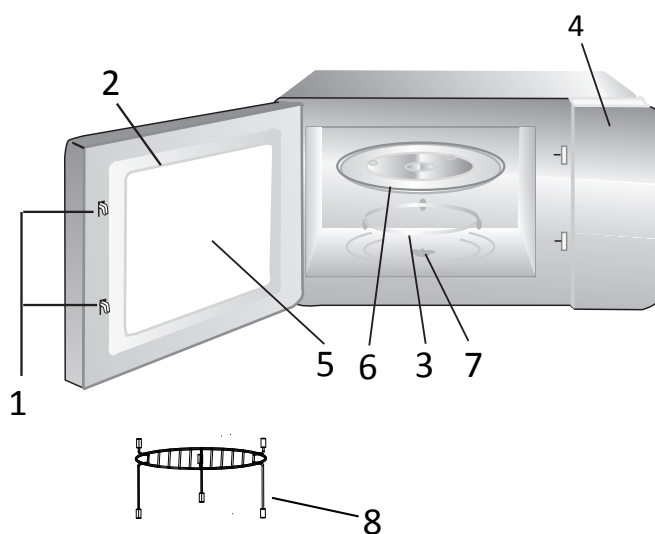
Warning: do not install the oven over a cooker or other heat producing appliance. This will damage the oven.



Do not cover ventilation on top of microwave, outer casing can get extremely hot.



Feature Diagram

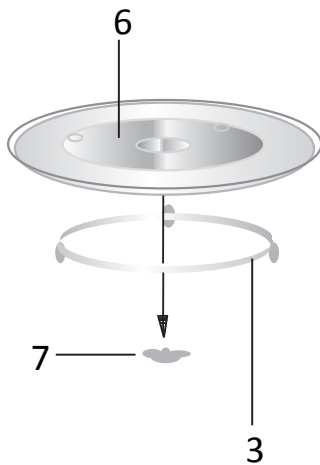


1. Door Safety Lock System
2. Oven Window
3. Turntable Ring
4. Control Panel
5. Door Guard
6. Glass Turntable – *To be used for microwave, combination, grilling or convection cooking.*
7. Plastic turntable drive
8. Grill rack – *To be used in the combination cooking & Grilling. Rack can be used either way up to alter the distance to the grilling element.*

**Warning - do not use the oven when empty or for warming plates.
Always keep the oven cavity, door assembly and waveguide cover clean**

For Customer Services & Spare Parts please call **0845 209 7461** Opening times: Monday Friday 9am – 5pm

Turn table installation



- Before first use, check that any securing tape has been removed from the glass tray and turntable ring assembly. These parts must never be restricted from rotating.
- Never place the glass tray upside down.
- Both the glass tray and turntable ring assembly must always be used during cooking.
- Do not place the food directly onto the glass tray, always place on or in suitable microwaveable cookware.
- If the glass tray or turntable ring assembly has been damaged in anyway, please contact the spares helpline number detailed on the back of this instruction manual.

For Customer Services & Spare Parts please call **0845 209 7461** Opening times: Monday Friday 9am – 5pm

Control panel



MENU ACTION SCREEN Cooking time, power, action indicators, and clock time are displayed.

CLOCK/PRE-SET Press this button to set the clock.

MICROWAVE Press this button to use the microwave function.

GRILL/CONV./COMBI. Press this button to use the grill, convection, or combination cooking. The grill element is located on the top of the cavity, a second element at the back of the unit is used for convection cooking.

DEFROST Press this button for the defrost function.

AUTO MENU Press this button to access the auto menu.

TIMER/WEIGHT This rotational dial is used for a number of functions.

STOP/CLEAR Press the Stop/Clear button to clear everything.

START/QUICK START Press this button to start the cooking process.

DOOR OPEN Press this button to open the door.

How to use the microwave oven

Clock Setting

When the microwave oven is first turned on, the oven will display "0:00", the buzzer will ring once.

- 1) Press "CLOCK/PRE-SET" to choose hours or minutes for alteration. The hour figures will flash.
- 2) Turn the "TIMER/WEIGHT" dial to adjust the hour figures, the input time should be within 0 - 23(24-hour).
- 3) Press "CLOCK/PRE-SET" button again and the minute figures will flash.
- 4) Turn the "TIMER/WEIGHT" dial to adjust the minute figures, the input time should be within 0 - 59 (60-minutes).
- 5) Press "CLOCK/PRE-SET" to finish the clock setting procedure. The ":" will flash.

Note:

- 1) If the clock is not set, it will not function when powered.
- 2) During the process of clock setting, if you press "STOP/CLEAR", the oven will go back to the previous status.

For Customer Services & Spare Parts please call **0845 209 7461** Opening times: Monday Friday 9am – 5pm

Cooking

Microwave Cooking

- 1) Press the "MICROWAVE " button once, and "P100" will display and flash.
- 2) Turn the "TIMER/WEIGHT" to select the microwave power. "P100", "P90", "P80", "P70", "P60", "P50", "P40", "P30", "P20", "P10" and "P00" will display in order.
- 3) Press "MICROWAVE " to confirm.
- 4) Turn the "TIMER/WEIGHT" dial to adjust the cooking time. (The time setting should be between 0:05-95:00.)
- 5) Press " START/QUICK START " to start the cooking process.

Press power button	Cooking power
P100	100%
P90	90%
P80	80%
P70	70%
P60	60%
P50	50%

P40	40%
P30	30%
P20	20%
P10	10%
P00	0%

To stop the cooking process at anytime press the "STOP/CLEAR" button.

For Customer Services & Spare Parts please call **0845 209 7461** Opening times: Monday Friday 9am – 5pm

Cooking

Grill Cooking

- 1) Press the "GRILL/CONV./COMBI." button once, and "G-1" will display.
- 2) Press "GRILL/CONV./COMBI." button to confirm.
- 3) Turn "TIMER/WEIGHT" to adjust the cooking time. (The time setting should be 0:05- 95:00.)
- 4) Press "START/QUICK START" button to start the cooking process.

Note: Half way through the grill time, the unit will pause and sound twice to tell you to turn the food over. In order to achieve more even grilling, you should turn the food over, close the door, and then press "START/QUICK START" to continue cooking. If the food is not turned, the oven will wait one minute and the grilling will resume automatically.

Combination Cooking (Microwave + Grill)

- 1) Press the "GRILL/CONV./COMBI." button once, and "G-1" will display.
- 2) Turn the "TIMER/WEIGHT" dial to select the preferred combination cooking method. Stop turning when "G-2" or "G-3" displays. Please see the table below that indicates the percentage of time for grilling and cooking.
- 3) Press "GRILL/CONV./COMBI." button to confirm.
- 4) Turn the "TIMER/WEIGHT" dial to adjust the cooking time. (The time setting should be 0:05- 95:00.)
- 5) Press "START/QUICK START" button to start the cooking process.

Display	Microwave cooking	Grill cooking
G-1		100%
G-2	36%	64%
G-3	55%	45%

Cooking

Combination Cooking (Microwave + Convection)

- 1) Press the "GRILL/CONV./COMBI." button once, and "G-1" will display.
- 2) Turn the "TIMER/WEIGHT" dial to select the combination preferred cooking method. Stop turning when "C-1", "C-2", "C-3" and "C-4" are on the display. These can be found after the cooking temperatures when rotating the dial clockwise. The table below indicates the percentage of microwave and convection cooking for the various settings.
- 3) Press the "GRILL/CONV./COMBI." button to confirm.
- 4) Turn "TIMER/WEIGHT" dial to adjust the cooking time. (The time setting should be 0:05-95:00).
- 5) Press "START/QUICK START" to start the cooking process.

Display	Microwave cooking	Convection cooking
C-1	60%	40%
C-2	50%	50%
C-3	40%	60%
C-4	27%	73%

For Customer Services & Spare Parts please call **0845 209 7461** Opening times: Monday Friday 9am – 5pm

Cooking

Convection Cooking(With preheating function)

The convection cooking allows you to cook food using the unit as a traditional oven, the microwave is not used. It is recommended that you should preheat the oven to the appropriate temperature before placing the food in the oven.

- 1) Press the "GRILL/CONV./COMBI." button once, and "G-1" will flash.
- 2) Turn the "TIMER/WEIGHT" dial to select the desired convection function temperature. The temperatures can be found after the "G-3" setting.

Note: the temperature can be chosen from 50 degrees to 240 degrees, in 20 & 30 degree increments.

- 3) Press the "GRILL/CONV./COMBI." button to confirm the chosen temperature.
- 4) Press the "START/QUICK START" button to start the preheating. When the preheating temperature is achieved, the buzzer will sound twice to remind you to place the food in the oven. The preheated temperature will display and flash. Open the door and place the food in the microwave oven.
- 5) Put the food into the oven and close the door.

Turn "TIMER/WEIGHT" dial to adjust the cooking time. (The maximum time available is 95 minutes.)

- 6) Press the "START/QUICK START" button to start cooking.

Note:

- a. The cooking time cannot be put in until the preheating temperature is achieved, Once the temperature is achieved the door must be opened to input the cooking time.
- b. If the time is not put in during 5 minutes of reaching the temperature, the oven will stop preheating. The buzzer sound five times and turn back to waiting states.

For Customer Services & Spare Parts please call **0845 209 7461** Opening times: Monday Friday 9am – 5pm

Cooking

Convection Cooking(Without pre-heating function)

- 1) Press the "GRILL/CONV./COMBI." button once, "G-1" will flash.
- 2) Turn the "TIMER/WEIGHT" dial to select the desired convection function temperature. The temperatures can be found after the "G-3" setting.
Note: the temperature can be chosen from 50 degrees to 240 degrees, in 20 & 30 degree increments.
- 3) Press the "GRILL/CONV./COMBI." button to confirm the chosen temperature.
- 4) Turn the "TIMER/WEIGHT" dial to adjust the cooking time (The maximum setting time is 95 minutes).
- 5) Press the "START/QUICK START" button to start the cooking process.

Multi-Stage Cooking

Three different stages is the maximum number of cooking stages.

Note: The auto menu and preheating cannot be set as one of the multi-stage cooking functions.

Example: if you want to defrost 500g of food, then cook it at 80% microwave power for 7 minutes. The steps are as following:

- 1) Press "DEFROST" button once, the screen will display "dEF1"
- 2) Turn the "TIMER/WEIGHT" dial to adjust the defrost weight to 500g;
- 3) Press the "MICROWAVE" button once;
- 4) Turn the "TIMER/WEIGHT" dial to choose 80% microwave power till "P80" display;
- 5) Press "MICROWAVE" to confirm;
- 6) Turn the "TIMER/WEIGHT" dial to adjust the cooking time to 7 minutes;
- 7) Press the "START/QUICK START" button to start the cooking process.

Cooking

Pre-set time to start functions

- 1) Set the clock first. (Consult the instruction of clock setting).
- 2) Input the cooking program. A maximum of three stages can be set. Do not use the defrost function in the pre-set function. The auto menu can be set for a single stage only.
Example: if you want to cook with 80% microwave power for 7 minutes.
 - a. Press the "MICROWAVE" button once;
 - b. Turn the "TIMER/WEIGHT" dial to choose 80% microwave power till "P80" is displayed;
 - c. Press "MICROWAVE" button to confirm;
 - d. Turn "TIMER/WEIGHT" dial to adjust the cooking time to 7 minutes;

After the above steps, do not press " START/QUICK START " button, but do as follows :

- 3) Press the " CLOCK/PRE-SET " button, the current time displays and the hour figures flash.
- 4) Turn "TIMER/WEIGHT" dial to adjust the hours, the input time should be within 0--23.
- 5) Press " CLOCK/PRE-SET " button and the minute figures will flash.
- 6) Turn the "TIMER/WEIGHT" dial to adjust the minutes, the input time should be within 0--59.
- 7) Press " START/QUICK START " to finish setting.

The ":" will light, the buzzer will ring twice when the time to start arrives, and then cooking will start automatically.

Note: The clock must be set first. Otherwise, the pre-set function will not work.

Cooking

Speedy Cooking

Press the "START/QUICK START" button to microwave cook with 100% power level for 1 minute. The microwave will start cooking immediately.

Each press on the same key can increase the cooking time by 1 minute. The maximum cooking time is 95 minutes.

Note: this function does not work for defrost, auto menu and multi-stage cooking.

Defrosting by Weight

1) Press "DEFROST" button once, the oven will display "DEF1".

2) Turn the "TIMER/WEIGHT" dial to select the weight of the food. At the same time, "g" will illuminate in red.

The weight should be set between 100-2000g.

3) Press "START/QUICK START" key to start defrosting.

For Customer Services & Spare Parts please call **0845 209 7461** Opening times: Monday Friday 9am – 5pm

Cooking

Auto Menu

- 1) Press the " AUTO MENU" button, so that "A-1" displays on the screen.
- 2) Turn the "TIMER/WEIGHT" dial clockwise to choose the function required, "A-1","A-2","A-3".. "A-9" will be displayed. These refer to the Auto menu printed on the front of the oven, and in the table on the next page,
- 3) Press the "AUTO MENU " button once you have confirmed the menu that you need. It will display "A-1, A-2," unless "A-3" is chosen, then it will display "P-1". Turn the "TIMER/WEIGHT" dial to choose "P-1","P-2","P-3"...."P-8".Then press the "AUTO MENU" button to confirm.
- 4) Turn the "TIMER/WEIGHT" dial to choose the weight of menu, the red "g" will illuminate. There are various weights available to select for the different settings.
- 5) Press "START/QUICK START " to start cooking.

Please see the table on the next page for the various settings.

For Customer Services & Spare Parts please call **0845 209 7461** Opening times: Monday Friday 9am – 5pm

Cooking

Display	Auto Menu	Weight(g)	Power
A-1	Meat	150	100%
		250	
		350	
		400	
		450	
A-2	Reheat	140	100%
		210	
		280	
		350	
		420	
		500	
A-3	P-1 Spaghettoni	125	100%
	P-2 Macaroni		
	P-3 Spirali		
	P-4 Spaghetti		
	P-5 Fusilli	250	
	P-6 Penne		
	P-7 Rigatoni		
	P-8 Farfalle		

For Customer Services & Spare Parts please call **0845 209 7461** Opening times: Monday Friday 9am – 5pm

Cooking

Display	Auto Menu	Weight(g)	Power
A-4	Soup	170	100%
		250	
		340	
A-5	Beverage	250	100%
		500	
		750	
A-6	Pizza	300	Microwave & Convection
		400	
A-7	Potato	200	100%
		400	
		600	
A-8	Vegetable	100	100%
		200	
		300	
		400	
		500	
A-9	Rice	100 + 270 ml water	100% & 70%
		150 + 300ml water	
		200 + 380ml water	
		250 + 450ml water	

Cooking

Inquiring Function

(1) During the cooking cycle, press the "MICROWAVE" or "GRILL/CONV./ COMBI." button and the current power will be displayed for 2-3 seconds.

(2) In pre-set state, press the "CLOCK/PRE-SET" button to check the time when the cooking will start.

The pre-set time will flash for 2-3 seconds, then the oven will turn back to the clock display.

(3) During the cooking cycle, press the "CLOCK/PRE-SET" button to check the current time. It will be displayed for 2-3 seconds.

Child lock

Lock on: In waiting state, press "STOP/CLEAR" for 3 seconds, there will be a long "beep" as the lock activates a red key will illuminate in the display. LED will display current time or 0:00.

Lock off: In locked state, press "STOP/CLEAR" for 3 seconds, there will be a long "beep" denoting that the lock is released, the lock symbol will disappear.

Specification

(1) The buzzer will sound once when turning the knob at the beginning;

(2) The "START/QUICK START" button must be pressed again to continue cooking if the door is opened during the cycle.

(3) Once the cooking programme has been set, if the "START/QUICK START" button is not pressed in 5 minutes. The current time will be displayed and the setting will be cancelled.

(4) The buttons will beep if they are pressed correctly, they will not beep if not.

(5) The buzzer will sound five times to remind you when cooking is finished.

Cleaning and care

- Before you clean the oven, turn it off and unplug it.
- Keep the inside of the oven clean. When food or liquids stick to the oven walls, wipe with a damp cloth. We recommend that you do not use harsh detergent or abrasives.
- On the right hand side wall of the cavity is the wave guide cover, microwaves are passed through this to enable your food to cook. It is important that this wave guide cover is kept clean at all times. To do this wipe with mild detergent and water, then dry.
- You should clean the outside of the oven with a damp cloth. Don't allow water to seep into the ventilation openings.
- Do not allow the control panel to become wet. Clean with a soft, damp cloth. Do not use detergents, abrasives or spray-on cleaners on the control panel.
- If steam builds up inside or around the outside of the oven door, wipe with a soft cloth. This may happen when the microwave oven is used in humid conditions.

For Customer Services & Spare Parts please call **0845 209 7461** Opening times: Monday Friday 9am – 5pm

Cleaning and care

- Regularly remove the glass turntable to clean it, and wash it in warm soapy water.
- Regularly clean the turntable support and oven floor. Simply wipe the bottom surface of the oven with mild detergent and water, then dry. You can wash the turntable support in mild soapy water.
- When removing the turntable support of the oven, make sure you put it back properly.
- If the inside of the oven smells, put a cup of water with the juice and skin of one lemon in a deep microwave bowl. Microwave it for three minutes, wipe thoroughly and then dry with a soft cloth.
- Failure to maintain the oven in a clean condition, especially if liquid is left under the turntable, could lead to deterioration of the surface that could adversely affect the life of the appliance and possibly result in a hazardous condition.

For Customer Services & Spare Parts please call **0845 209 7461** Opening times: Monday Friday 9am – 5pm

Important utensil information

- Do not use metal pans or dishes with metal handles without food in the microwave/oven
- Do not use anything with a metal trim, without food in the microwave/oven.
- Do not use paper covered wire twist-ties on plastic bags.
- Do not use melamine dishes as they contain a material which will absorb microwave energy. This may cause the dishes to crack or burn, and will slow down the cooking speed.
- Use only cookware that is approved to be used in a microwave oven.
- Do not cook using a container with a restricted opening, such as bottles, as they may explode.
- Do not heat baby bottles with the teat left on and remove if replacing the bottle back into the oven.
- Only use thermometers that are approved for microwave ovens.
- Do not use the microwave oven for heating utensils.

For Customer Services & Spare Parts please call **0845 209 7461** Opening times: Monday Friday 9am – 5pm

Connection to the mains supply

WARNING- THIS APPLIANCE MUST BE EARTHED

This appliance is designed to operate from a mains supply of 230V – 240V ~ 50HZ.
Check that the voltage marked on the product corresponds with your supply voltage.

This product is fitted with a 13A plug complying with BS1363.

If this plug is unsuitable or needs to be replaced, please note the following:

Important: The wires in the mains lead are
Coloured in accordance with the following code:
GREEN/YELLOW-EARTH
BLUE-NEUTRAL
BROWN-LIVE



For Customer Services & Spare Parts please call **0845 209 7461** Opening times: Monday Friday 9am – 5pm

Connection to the mains supply

For UK use only – Plug fitting details (where applicable):

As the colours of the wires in the mains lead of this appliance may not correspond with the coloured markings identifying the terminals in your plug, proceed as follows:

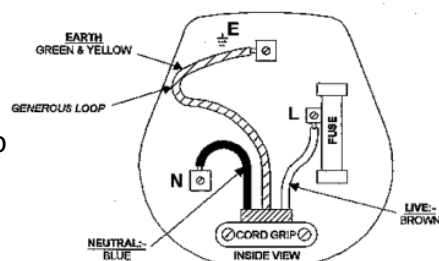
The GREEN/YELLOW wire is the EARTH and must be connected to the terminal which is marked with the letter E or by the earth symbol or coloured GREEN or GREEN/YELLOW.

The BLUE wire is the NEUTRAL and must be connected to the terminal marked with the letter N or coloured BLACK.

The BROWN wire is the LIVE wire and must be connected to the terminal marked with the letter L or coloured RED.

Always ensure that the plug cord grip is fastened correctly.

If a 13A (BS1363) fused plug is used it must be fitted with a 13amp fuse conforming to BS1362 and be BSI or ASTA approved.



Non-rewireable mains plug

If your appliance is supplied with a non-rewireable plug fitted to the mains lead you will find that it incorporates a fuse, the value of which is indicated either on the base of the plug or on the fuse carrier. Should the fuse need replacing, you must use an ASTA approved fuse (conforming to BS1362) of the same rating.

If the fuse cover is lost the plug must not be used until a replacement is obtained from an electrical supplier.

If you need to remove the plug, cut it from the mains lead and dispose of it. Never attempt to re-use this plug or insert it into a socket outlet, as there is a very great risk of an electric shock.

For Customer Services & Spare Parts please call **0845 209 7461** Opening times: Monday Friday 9am – 5pm

Problem solving

The microwave oven may cause interference to your radio, TV or similar equipment. If it does, you can get rid of the interference by moving the radio, TV or equipment as far away from your microwave oven as possible.

If the oven doesn't work -

- Make sure the mains plug is plugged in securely. If it is not, remove the plug from the socket, wait 10 seconds and plug it in again securely.
- Check the premises for a blown circuit fuse or a tripped main circuit breaker. If these seem to be working properly, test the socket with another appliance.

If the microwave power will not work –

- Check to see whether the timer is set.
- Make sure the door is securely closed. Otherwise, the microwave energy will not flow into the oven

For Customer Services & Spare Parts please call **0845 209 7461** Opening times: Monday Friday 9am – 5pm

Guarantee

This product is guaranteed for 12 months from the date of the original purchase. If any defect arises due to faulty materials or workmanship the faulty product must be returned to the place of purchase.

Refund or replacement is at the discretion of the store.

The following conditions apply:

- The product must be returned to the retailer with the original proof of purchase.
- The product must be installed and used in accordance with the instructions contained in this instruction guide and any other instructions for use which has been supplied.
- It must be used for domestic purposes only and for its intended use.
- This guarantee does not cover wear and tear, damage, misuse or consumable parts.

This does not affect your statutory rights.

Specifications

Rated Voltage: 230V – 240V ~ 50Hz

Rated Input Power(Microwave): 1400-1450W

Rated Output Power(Microwave): 850-900W

Rated Power(Grill): 1000-1100W

Rated Power(Convection): 2300-2500W

Oven Capacity: 30 L

Turntable Diameter: 315 mm

External Dimensions(LxWxH): 520mmX495mmX335mm

Net Weight: Approx. 19.3 kg

For Customer Services & Spare Parts please call **0845 209 7461** Opening times: Monday Friday 9am – 5pm

For Customer
Services please call
0845 209 7461
Opening times:
Monday - Friday
9am until 5pm

Revision 1



This symbol is known as the 'Crossed-out wheelee bin Symbol'. When this symbol is marked on a product/batteries, it means that the product/batteries should not be disposed of with your general household waste. Only discard electrical/electronic/battery items in separate collection schemes, which cater for the recovery and recycling of materials contained within. Your co-operation is vital to make sure the success of these schemes and for the protection of the environment. For your nearest disposal facility, visit www.recycle-more.co.uk or ask in store for details.

We reserve the right due to possible changes to design to alter the instruction manual without prior notice.