

This Owner's Manual is provided and hosted by [Appliance Factory Parts](#).



# Russell Hobbs RHM1714CC Owner's Manual

[Shop genuine replacement parts for Russell Hobbs  
RHM1714CC](#)



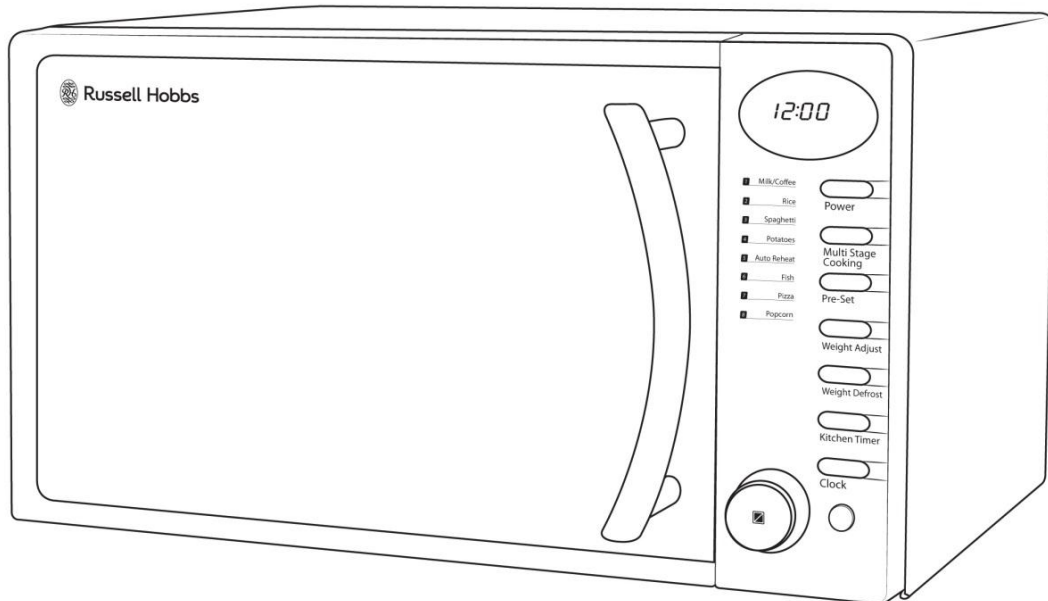
[Find Your Russell Hobbs Microwave Parts - Select From 40 Models](#)

----- Manual continues below -----



# Russell Hobbs

## Microwave USER'S GUIDE



**Model No: RHM1714RC, RHM1714 CC, RHM1714 BC**

For Customer Services & Spare Parts please call **0845 209 7461**  
Opening times: Monday - Friday 8am – 6pm & Saturday 9am – 1pm or visit  
us at [www.productcareuk.com](http://www.productcareuk.com)

**IMPORTANT: RETAIN FOR FUTURE  
REFERENCE**

# Contents

|                                      | Page |
|--------------------------------------|------|
| Safety instructions .....            | 3    |
| Product overview .....               | 12   |
| About this microwave oven .....      | 13   |
| Unpacking the microwave .....        | 14   |
| Microwave oven installation .....    | 15   |
| Turntable installation .....         | 16   |
| Control panel .....                  | 17   |
| Using the microwave oven .....       | 18   |
| Cleaning and care .....              | 27   |
| Important utensil information .....  | 28   |
| Connection to the mains supply ..... | 29   |
| Problem solving & plug .....         | 31   |
| Guarantee .....                      | 32   |
| Technical specification .....        | 33   |
| Spare parts .....                    | 34   |

For Customer Services & Spare Parts please call **0845 209 7461**  
Opening times: Monday - Friday 8am – 6pm & Saturday 9am – 1pm or visit  
us at **[www.productcareuk.com](http://www.productcareuk.com)**

# Safety instructions

## **IMPORTANT SAFETY INSTRUCTIONS READ CAREFULLY AND KEEP FOR FUTURE REFERENCE**

**WARNING:** This appliance can be used by children aged from 8 years and above and persons with reduced physical, sensory or mental capabilities or lack of experience and knowledge if they have been given supervision or instruction concerning use of the appliance in a safe way and understand the hazards involved. Children shall not play with the appliance.

Do not use harsh abrasive cleaners or sharp metal scrapers to clean the oven door glass since they can scratch the surface, which may result in shattering of the glass.

Cleaning and user maintenance shall not be made by children unless they are aged from 8 years and above and supervised.

**WARNING:** Do not use the microwave when it is empty. This could damage the oven.

For Grill and combination models

**WARNING:** The appliance and its accessible parts become hot during use. Care should be taken to avoid touching heating elements. Children less than 8 years of age shall be kept away unless continuously supervised.

# Safety instructions

**WARNING:** If the door or door seals are damaged, the oven must not be operated until it has been repaired by a competent person.

**WARNING:** It is hazardous for anyone other than a competent person to carry out any service or repair operation that involves the removal of a cover which gives protection against exposure to microwave energy.

**WARNING:** Liquids and other foods must not be heated in sealed containers since they are liable to explode.

**WARNING:** Only allow children to use the oven without supervision when adequate instructions have been given so that the child is able to use the oven in a safe way and understands the hazards of improper use.

# Safety instructions

If the supply cord is damaged, it must be replaced by the manufacturer, its service agent or similarly qualified persons in order to avoid a hazard. When heating food in plastic or paper containers, keep an eye on the oven due to the possibility of ignition.

Only use utensils that are suitable for use in microwave ovens.

You should clean the outside of the oven with a damp cloth. Don't allow water to seep into the ventilation openings.

Do not allow the control panel to become wet. Clean with a soft, damp cloth. Do not use detergents, abrasives or spray-on cleaners on the control panel.

If steam builds up inside or around the outside of the oven door, wipe with a soft cloth. This may happen when the microwave oven is used in humid conditions.

Regularly remove the glass turntable to clean it, and wash it in warm soapy water. Regularly clean the turntable support and oven floor. Simply wipe the bottom surface of the oven with mild detergent and water, then dry. You can wash the turntable support in mild soapy water.

## Safety instructions

A minimum clearance of 7.5cm is required between the oven and any adjacent walls. One side must be open. Leave a minimum clearance of 30cm above the oven.

The microwave oven should be used freestanding only and must not be built-in or used in a cabinet.

If smoke is emitted , switch off or unplug the appliance and keep the door closed in order to stifle any flames.

Microwave heating of beverages can result in delayed eruptive boiling, therefore care must be taken when handling the container.

# Safety instructions

Eggs in their shell and whole hard-boiled eggs should not be heated in microwave ovens since they may explode, even after microwave heating has ended.

The oven should be cleaned regularly and any food deposits removed. Failure to maintain the oven in a clean condition could lead to deterioration of the surface that could adversely affect the life of the appliance and possibly result in a hazardous situation.

Before you clean the oven, turn it off and unplug it. Keep the inside of the oven clean. When food or liquids stick to the oven walls, wipe with a damp cloth. We recommend that you do not use harsh detergent or abrasives.

The contents of feeding bottles and baby food jars shall be stirred or shaken and the temperature checked before consumption, in order to avoid burns.

# Safety instructions

Do Not obstruct the ventilation  
from the microwave



Only use thermometers that are approved for microwave ovens.

# Safety instructions

- Food containing a mixture of fat and water (for example, stock) should stand for 30 to 60 seconds in the oven after it has been turned off. This is to allow the mixture to settle and to prevent it from bubbling when a spoon is placed in it, or a stock cube is added.
- When heating or cooking food or liquid, remember that there are certain foods (such as, jam, Christmas puddings and mincemeat) which heat up very quickly.
- When heating or cooking foods that contain a lot of fat or sugar, do not use plastic containers.
- Always have the glass tray and turntable support in place when using the oven.
- Never remove parts from the oven such as the feet, screws and so on.
- Do not cook food directly on the glass tray. Put food on a suitable plate or in a bowl before putting it in the oven.

To reduce the risk of fire in the oven cavity:

- Do not overcook food.
- Do not leave the microwave oven unattended while you are using it and if using paper or plastic containers check regularly to ensure they do not ignite.
- Remove wire twist-ties from bags before putting the bag in the oven.
- If materials inside the oven smoke or catch fire, keep the oven door closed to stifle the flames, turn the oven off at the wall switch, or shut the power off at the fuse or circuit-breaker panel.

# Safety instructions

- The microwave is intended for heating food and beverages. Drying of food or clothing and heating of warming pads, wheat bags, slippers, sponges, damp cloth and similar may lead to risk of injury, ignition or fire.
- Heat from the contents of a container may be transmitted to the container itself, so please be careful when removing it from the oven. Please remember that the food or liquid inside will be releasing some steam or will be spitting. Never cover any container fully, always leave a gap for steam to escape.
- Cooking utensils may become hot because of heat transferred from the heated food. This is especially true if plastic wrap has been covering the top and handles of the utensil. You may need oven gloves to handle the utensil.
- Ensure you do not use any corrosive chemicals or vapours in the appliance. It is not designed for industrial or laboratory use.
- Never put any objects into the openings on the outer case.
- On the right hand side wall of the cavity is the wave guide cover, microwaves are passed through this to enable your food to cook. It is important that this wave guide cover is kept clean at all times. To do this wipe with mild detergent and water, then dry.
- When removing the turntable support of the oven, make sure you put it back properly.
- If the inside of the oven smells, put a cup of water with the juice and skin of one lemon in a deep microwave bowl. Microwave it for three minutes, wipe thoroughly and then dry with a soft cloth.
- Do not try to deep-fry foods in this oven.

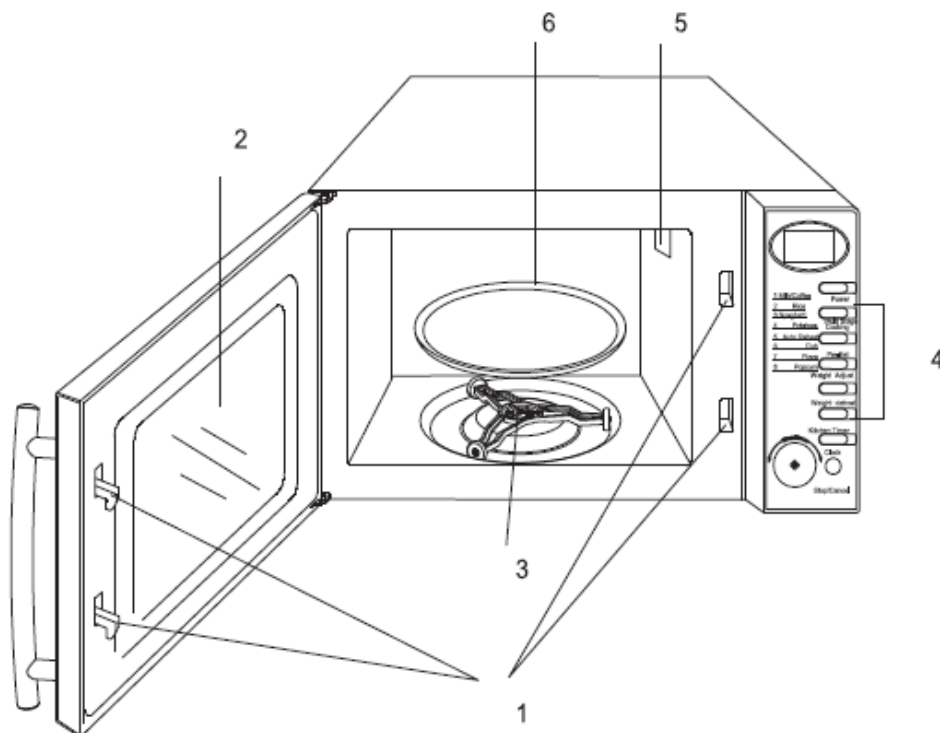
# Safety instructions

- Do not use metal pans or dishes with metal handles.
- Do not use anything with a metal trim.
- Do not use paper covered wire twist-ties on plastic bags.
- Do not use melamine dishes as they contain a material which will absorb microwave energy. This may cause the dishes to crack or burn, and will slow down the cooking speed.
- Use only cookware that is approved to be used in a microwave oven.
- Do not cook using a container with a restricted opening, such as bottles, as they may explode.
- Do not heat baby bottles with the teat left on. Remove it if replacing the bottle back into the oven.
- Only use thermometers that are approved for microwave ovens.
- Do not use the microwave oven for heating utensils.
- Do not use the oven for any reason other than preparing food, such as for drying clothes, paper or any other non-food items, or for sterilising purposes.
- Do not store anything in the oven, such as papers, cookbooks .
- Do not cook any food surrounded by a membrane, such as egg yolks, potatoes, chicken livers, sausages, ready meals and so on without piercing them several times with a fork.
- Never put any objects into the openings on the outer case.
- You should use microwave utensils only in line with these instructions.
- Only use the accessories supplied by the manufacturer.

This appliance is intended to be used in the household and similar applications. It is not intended to be used in the following:

- staff kitchen areas in shops, offices and other working environments;
- farm houses;
- by clients in hotels, motels and other residential environments;
- bed and breakfast type environments.

# Product overview



1. Door safety lock system
2. Oven window
3. Turntable support
4. Control panel
5. Wave guide cover
6. Glass tray

**WARNING: Do not use the oven when empty or for warming plates.  
Always keep the oven cavity, door assembly and waveguide cover  
clean**

For Customer Services & Spare Parts please call **0845 209 7461**  
Opening times: Monday - Friday 8am – 6pm & Saturday 9am – 1pm or visit us at  
**[www.productcareuk.com](http://www.productcareuk.com)**

# About this microwave oven

Microwaves are high-frequency electromagnetic waves similar to radio waves. While radio waves may vary in length from one metre to many kilometres, microwaves are very short (less than 12.5 centimetres). Microwaves do not make any heat themselves but only cause water molecules in food to vibrate. This vibration produces heat that cooks the food. This is why your food will come out of the microwave piping hot, when your utensils inside the oven stay much cooler. The microwaves do not stay in the air or in the food when you open the microwave oven door.

The microwave oven will work using an ordinary household electrical socket. Inside the microwave oven is the magnetron, which turns the electrical energy into microwaves.

Microwaves cannot go through metal, so the inside of the oven is lined with metal. The door is lined with a fine metal mesh which stops microwaves getting through. This means that when the microwave oven door is shut, there is no possibility that microwaves can be released. This is why the microwave oven has been made so that it will not work when the door is open.

For Customer Services & Spare Parts please call **0845 209 7461**  
Opening times: Monday - Friday 8am – 6pm & Saturday 9am – 1pm or visit us at  
**[www.productcareuk.com](http://www.productcareuk.com)**

# Unpacking the microwave

Before you use your microwave oven

1. Remove all the packaging. **Do not** remove the small piece of card from the right hand side of the cavity wall. This is called a wave-guide cover and allows the microwaves to pass through to cook the food.

**Please ensure you keep this cover clean at all times.**

2. Check the oven after unpacking for any visual damage such as:

- A misaligned door
- Damage to the door
- Dents or holes in the door window and screen
- Dents in the inside
- If you can see any damage **do not use the oven**

This microwave oven weighs approximately 10.5kg so you must put it on a horizontal surface that is strong enough to support this weight.

The oven must be placed away from high temperatures and steam.

Do not put anything on the top of the microwave oven.

For Customer Services & Spare Parts please call **0845 209 7461**

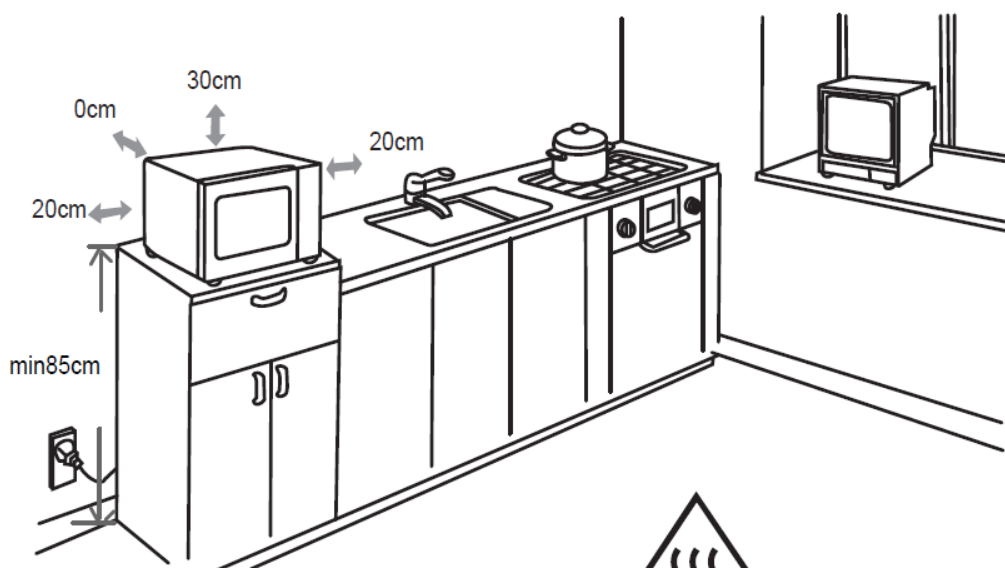
Opening times: Monday - Friday 8am – 6pm & Saturday 9am – 1pm or visit us at

**[www.productcareuk.com](http://www.productcareuk.com)**

# Microwave oven installation

- Select a level surface that provides enough space for the outlet vents.
- A minimum clearance of 7.5cm is required between the oven and any adjacent walls. One side must be open. Leave a minimum clearance of 30cm above the oven.
- Place the oven as far away from radios and TV's as possible. Using the oven may cause interference with the reception.
- Plug the oven into a suitable 13 amp mains socket, make sure the voltage is the same as on the rating label (do not use extension cables or mains socket adaptors).
- The microwave oven should be used freestanding only and must not be built-in or used in a cabinet.

**WARNING:** do not install the oven over a cooker or other heat producing appliance. This will damage the oven.



Do Not obstruct  
The ventilation  
From the microwave

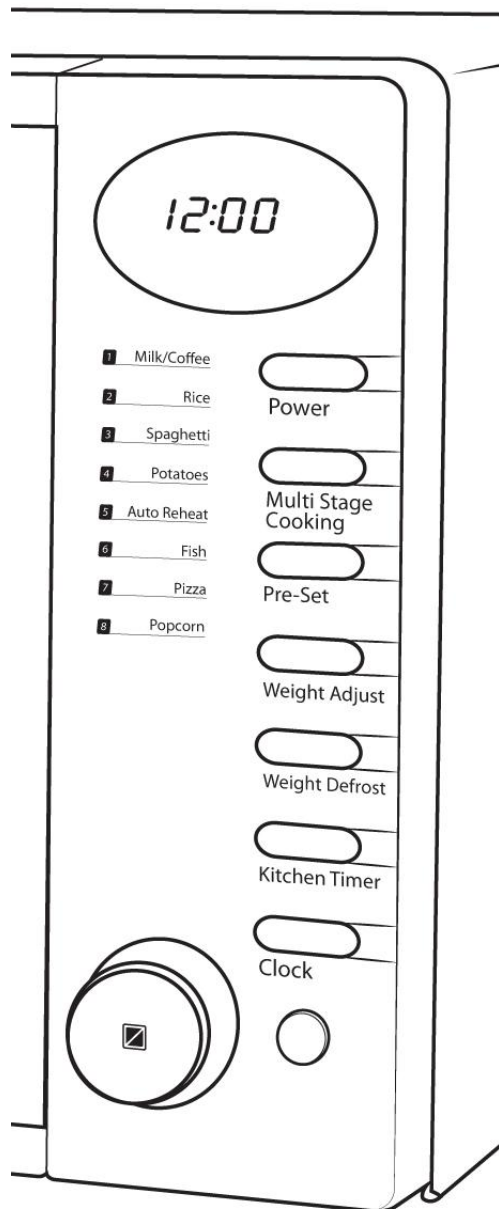
For Customer Services & Spare Parts please call **0845 209 7461**  
Opening times: Monday - Friday 8am – 6pm & Saturday 9am – 1pm or visit us at  
**[www.productcareuk.com](http://www.productcareuk.com)**

# Turntable installation

- Before first use, check that any securing tape has been removed from the glass tray and turntable ring assembly. These parts must never be restricted from rotating.
- Never place the glass tray upside down.
- Both the glass tray and turntable ring assembly must always be used during cooking.
- Do not place the food directly onto the glass tray, always place it on or in a suitable microwaveable cookware.
- If the glass tray or turntable ring assembly has been damaged in anyway, please contact the spares helpline number detailed on the back of this instruction manual.

For Customer Services & Spare Parts please call **0845 209 7461**  
Opening times: Monday - Friday 8am – 6pm & Saturday 9am – 1pm or visit us at  
**[www.productcareuk.com](http://www.productcareuk.com)**

# Control panel



## Display

Cooking time, power, action indicators, and clock time are displayed.

## Power

Press this button a number of times to set a cooking power level.

## Multi Stage Cooking

Press this button to set a multi-stage cooking program.

## Pre-Set

Press this button to set a pre-set cooking program.

## Weight Adjust

Press this button to select a weight when using the Auto menu's.

## Weight Defrost

Press this button to defrost food by weight.

## Kitchen Timer

Use to set the kitchen timer.

## Clock

Use to set the time.

## Stop/Cancel

Press to cancel a setting or reset the oven before setting a cooking program.

Press once to pause a cooking program and twice to cancel a cooking program.

Press and hold to set the child lock.

## Time/Menu

Turn the knob to set a cooking time or select the kind of food you want to cook from the Auto menu.

Press to start a cooking program, or simply press it a number of times to set a quick start cooking time.

For Customer Services & Spare Parts please call **0845 209 7461**

Opening times: Monday - Friday 8am – 6pm & Saturday 9am – 1pm or visit us at

**[www.productcareuk.com](http://www.productcareuk.com)**

# Using the microwave oven

Connect the main plug into a suitable 13amp mains socket, make sure the voltage is the same as on the rating label (do not use extension cables or mains socket adaptors).

The microwave oven will beep once and the display will show the clock symbol.

Note: during any of the following cooking programs, to pause cooking, press the 'Stop/Cancel' button. To stop cooking, press the 'Stop/Cancel' button again.

## Setting the clock (24 hour)

Before setting a cooking program the clock needs to be set. For example, if you want to set the time to 8:30 am.

1. Press the 'Clock' button. The display will show '24H', and the clock symbol will be displayed.
2. Turn the 'Time/Menu.' knob clockwise until the display shows '8:'. The clock symbol will start to flash.
3. Press the 'Clock' button. The display will show '8:00' and the clock symbol will continue to flash.
4. Turn the 'Time/Menu' knob clockwise until the display shows '8:30'. Press the 'Clock' button to confirm. The clock is now set, the colon will flash and the clock symbol will stay lit.

# Using the microwave oven

Microwave cooking(Cooking times between 10 seconds and 60 minutes)

Press the 'Power' button a number of times to choose a cooking power level, then turn the 'Time/Menu.' knob clockwise to choose the time. Press the 'Time/Menu.' knob to start cooking.

You can microwave food using 6 settings:

| Press the power button | Cooking power                |
|------------------------|------------------------------|
| Once                   | 100% (High)                  |
| Twice                  | 80% (Medium high)            |
| Three times            | 60% (Medium)                 |
| Four times             | 40% (Medium low)             |
| Five times             | 20% (Low)                    |
| Six times              | 0% (Used as a kitchen timer) |

For example; if you want to microwave food for 20 minutes at 60% microwave power:

1. Place the food in a container suitable for use with microwave ovens and put it into the microwave oven.
2. Press the 'Power' button three times. The display will show 60% the symbols microwave and power will light up.
3. Turn the 'Time/Menu' knob clockwise to set the time until the display shows '20:00'. The 'Start' symbol will flash and the '1s' will light up.
4. To start cooking, press the 'Time/Menu' knob. The microwave oven will now start to cook the food and the symbols 'Microwave', '1s' and 'Power level' will stay lit.
5. When the food has finished cooking the oven will beep 4 times to let you know and the word 'End' will be displayed.

For Customer Services & Spare Parts please call **0845 209 7461**  
Opening times: Monday - Friday 8am – 6pm & Saturday 9am – 1pm or visit us at  
**[www.productcareuk.com](http://www.productcareuk.com)**

# Using the microwave oven

Please note: 'End' will be displayed and 4 beeps will be heard every 2 minutes until the oven door is opened or the 'Stop/Cancel' button is pressed.

## Quick start cooking

This program allows you to cook food at 100% power between 30 seconds and 12 minutes by pressing the 'Time/Menu' knob directly. For example if you want to cook food for 2 minutes.

1. Place the food in a container suitable for use with microwave ovens and put it into the microwave oven.
2. To set the time (2 minutes), press the 'Time/Menu' knob 4 times. The microwave oven will automatically start to cook your food.
3. When the food has finished cooking the oven will beep 4 times to let you know and the word 'End' will be displayed.

Please note: 'End' will be displayed and 4 beeps will be heard every 2 minutes until the oven door is opened or the 'Stop/Cancel' button is pressed.

## Weight defrost

Weight defrost allows you to set the food weight and let the oven decide how long the food will take to defrost. You can defrost foods between 100g and 1800g. The steps are as follows:

1. Place the food in a container suitable for use with microwave ovens and put it into the microwave oven.
2. Press the 'Weight Defrost' button. The display will show, '100g'. The 'Auto' and 'Defrost' symbol will light up and 'Power level' symbol will flash.
3. Turn the 'Time/Menu' knob clockwise to choose the weight. For example, if the food weighs 400g, set the display to show '400g'.
4. Press the 'Time/Menu' knob. The 'Auto' and defrost symbols will stay lit and the oven will now start to defrost the food.

Note: 2/3 through the defrosting time the oven will beep and pause. This is to allow you to turn over the food for even defrosting. Turn over or rearrange the food and press the 'Time.Menu' knob to resume defrosting. To defrost fatty meat, defrost intermittently until defrosted. Ice should be removed at all times.

# Using the microwave oven

5. When the food has finished defrosting the oven will beep 4 times to let you know and the word 'End' will be displayed.

Please note: 'End' will be displayed and 4 beeps will be heard every 2 minutes until the oven door is opened or the 'Stop/Cancel' button is pressed.

## **Auto menus**

There are 8 auto menus you can use for easy cooking. To access the menus, turn the 'Time.Menu' knob clockwise. For guide lines, please see the Auto menus chart on page 23.

1. Place the food in a container suitable for use with microwave ovens and put it into the oven.
2. Choose the 'Auto' menu you want by turning the 'Time/Menu' knob. The 'Auto' symbol will be displayed.
3. Press the 'Weight Adjust' button to choose the weight. The display will show the weight in grams or amounts and the 'Start' symbol will flash.
4. Press the 'Time/Menu' knob again. The oven will now start to cook the food.
5. When the food has finished cooking the oven will beep 4 times to let you know and the word 'End' will be displayed.

Please note: 'End' will be displayed and 4 beeps will be heard every 2 minutes until the oven door is opened or the 'Stop/Cancel' button is pressed.

Please note: when using the Auto menus for weights and times, if food being cooked is between weights please make sure that it is cooked thoroughly. It is advisable to stir and turn food where needed to ensure even cooking, be sure to handle hot food with care.

# Using the microwave oven

## Hints

Do not cook, reheat or defrost foods directly on the turntable. always put the food into a suitable microwave container.

Do not cook foods such as meat from frozen, always defrost the foods first.

Where appropriate cover dishes with microwave safe cling film and pierce, this will retain the moisture and prevent splashing and spillages.

Always loosen lids before putting into the oven.

To distribute heat evenly, stir or shake foods halfway through cooking.

# Using the microwave oven

| Auto menu | Food        | Weights   | Recommendations   |
|-----------|-------------|---|---|
| 1         | Milk/Coffee | 1-200ml<br>2-400ml<br>3-600ml   | Place the cup onto the center of the turntable. When the liquid has been removed from the oven, leave to stand before adding sugar.                   |
| 2         | Rice        | 150g<br>300g<br>450g<br>600g  | Place the rice into a suitable container, cover with water.   |
| 3         | Spaghetti   | 100g<br>200g<br>300g  | Place the spaghetti into a suitable container, cover with boiling water.  |
| 4         | Potatoes    | 150g<br>300g<br>450g<br>600g  | Prick the skins and place on a suitable plate. Turn the potatoes over halfway through the cooking time.   |
| 5         | Auto reheat | 100g<br>200g<br>300g<br>400g<br>500g<br>600g<br>700g<br>800g<br>1000g | Straight from the refrigerator.   |
| 6         | Fish        | 200g<br>300g<br>400g<br>500g<br>600g<br>700g                          | Place the fish in a suitable container and cover with microwave safe cling film.  |
| 7         | Pizza       | 150g<br>300g  | Straight from the refrigerator.   |
| 8         | Popcorn     | 100g  | A regular bag from the supermarket (some weights may differ, when cooking remove the bag of popcorn when the corn stops popping at regular intervals) |

# Using the microwave oven

## Multi-stage cooking

The oven has the ability to set multistage cooking. You can combine any 2 cooking programs at once. If you are using 1 function the display will show '1s' (1 stage cooking) If you are using 2 functions, the display will show '2s' (2 stage cooking). For example, if you want to cook food on 100% power for 5 minutes and then cook food on 60% power for 10 minutes:

1. Place the food in a container suitable for use with microwave ovens and put it in the oven.
2. Press the 'Power' button once, turn the 'Time/Menu' knob to set the time '5:00'. The symbols 'Microwave', '1s' and 'Power level' will light up, the 'Start' symbol will flash.
3. **Do not** press the 'Time/Menu' knob, instead press the 'Multi stage cooking' button, ':10' will be displayed.
4. Press the 'Power' button 3 times to choose 60% power.
5. Turn the 'Time/Menu' knob to set the time '10:00'. The symbols 'Microwave', '2s' and 'Power level' will light up, the 'Start' symbol will flash.
6. Press the 'Time/Menu' knob. The display will show '1s' for first stage cooking. When the first stage is completed, the oven will automatically change to the second stage and the display will show '2s'.
7. When the food has finished cooking the oven will beep 4 times to let you know and the word 'End' will be displayed.

**Please note:** 'End' will be displayed and 4 beeps will be heard every 2 minutes until the oven door is opened or the 'Stop/Cancel' button is pressed.

# Using the microwave oven

## Pre-set

You can pre-set the oven to start cooking at a later time. For example, if the current time is 14:30pm, you can set the oven to start at 16:30pm and cook for 20 minutes.

1. Place the food in a container suitable for use with microwave ovens and put it in the oven.
2. Press the 'Power' button to select the power level required, turn the 'Time/Menu' knob to set the cooking time required.
3. The symbols 'Microwave', '1s' and 'Power level' will light up, the 'Start' symbol will flash.
3. **Do not** press the 'Time/Menu' knob instead Press the 'Pre-set' button. The display will show the hour digits.
4. Turn the 'Time/Menu' knob to choose the hour '16', press the 'Pre-set' button.
5. Turn the 'Time/Menu' knob to choose the minutes '30'.
6. Press the 'Time/Menu' knob. The oven will now keep the time stored in its memory and at 16:30 the oven will automatically start to operate.
7. When the food has finished cooking the oven will beep 4 times to let you know and the word 'End' will be displayed.

**Please note:** 'End' will be displayed and 4 beeps will be heard every 2 minutes until the oven door is opened or the 'Stop/Cancel' button is pressed.

# Using the microwave oven

## Kitchen timer

The kitchen timer is used to set a countdown time for the convenience of the user, it can be used as a reminder.

1. Press the 'Kitchen timer' button.
2. Turn the 'Time/Menu' knob to the length of time required.
3. Press the 'Time/Menu' knob. The timer will now start to count down (the oven will not operate during this time).
4. When the time is complete the oven will beep to let you know.

## Child safety lock

This function is to prevent children from using the microwave oven.

To activate the child lock, press and hold the 'Stop/Cancel' button for 3 seconds. You will hear a beep and the lock symbol will be displayed.

To de-activate the child lock, press and hold the 'Stop/Cancel' button for 3 seconds. You will hear a beep and the lock symbol will disappear.

For Customer Services & Spare Parts please call **0845 209 7461**  
Opening times: Monday - Friday 8am – 6pm & Saturday 9am – 1pm or visit us at  
**[www.productcareuk.com](http://www.productcareuk.com)**

# Cleaning and care

- Before you clean the oven, turn it off and unplug it.
- Keep the inside of the oven clean. When food or liquids stick to the oven walls, wipe with a damp cloth. We recommend that you do not use harsh detergent or abrasives.
- On the right hand side wall of the cavity is the wave guide cover, microwaves are passed through this to enable your food to cook. It is important that this wave guide cover is kept clean at all times. To do this wipe with mild detergent and water, then dry.
- You should clean the outside of the oven with a damp cloth. Don't allow water to seep into the ventilation openings.
- Do not allow the control panel to become wet. Clean with a soft, damp cloth. Do not use detergents, abrasives or spray-on cleaners on the control panel.
- If steam builds up inside or around the outside of the oven door, wipe with a soft cloth. This may happen when the microwave oven is used in humid conditions.
- Regularly remove the glass turntable to clean it, and wash it in warm soapy water. Regularly clean the turntable support and oven floor. Simply wipe the bottom surface of the oven with mild detergent and water, then dry. You can wash the turntable support in mild soapy water.
- When removing the turntable support of the oven, make sure you put it back properly.
- If the inside of the oven smells, put a cup of water with the juice and skin of one lemon in a deep microwave bowl. Microwave it for three minutes, wipe thoroughly and then dry with a soft cloth.
- Failure to maintain the oven in a clean condition, especially if liquid is left under the turntable, could lead to deterioration of the surface that will adversely affect the life of the appliance that may result in a hazardous condition.

# Important utensil information

- Do not use metal pans or dishes with metal handles.
- Do not use anything with a metal trim.
- Do not use paper covered wire twist-ties on plastic bags.
- Do not use melamine dishes as they contain a material which will absorb microwave energy. This may cause the dishes to crack or burn, and will slow down the cooking speed.
- Use only cookware that is approved to be used in a microwave oven.
- Do not cook using a container with a restricted opening, such as bottles, as they may explode.
- Do not heat baby bottles with the teat left on. Remove it if replacing the bottle back into the oven.
- Only use thermometers that are approved for microwave ovens.
- Do not use the microwave oven for heating utensils.

For Customer Services & Spare Parts please call **0845 209 7461**  
Opening times: Monday - Friday 8am – 6pm & Saturday 9am – 1pm or visit us at  
**[www.productcareuk.com](http://www.productcareuk.com)**

# Connection to the mains supply

## **WARNING-** THIS APPLIANCE MUST BE EARTHED

This appliance is designed to operate from a mains supply of AC230V ~ 50HZ.

Check that the voltage marked on the product corresponds with your supply voltage.

This product is fitted with a 13A plug complying with BS1363.

If this plug is unsuitable or needs to be replaced, please note the following:

Important: The wires in the mains lead are coloured in accordance with the following code:

GREEN/YELLOW-EARTH

BLUE-NEUTRAL

BROWN-LIVE



**DANGER**  
**Electric**  
**Shock Risk**

For Customer Services & Spare Parts please call **0845 209 7461**

Opening times: Monday - Friday 8am – 6pm & Saturday 9am – 1pm or visit us at

**[www.productcareuk.com](http://www.productcareuk.com)**

# Connection to the mains supply

For UK use only – Plug fitting details (where applicable):

As the colours of the wires in the mains lead of this appliance may not correspond with the coloured markings identifying the terminals in your plug, proceed as follows:

The GREEN/YELLOW wire is the EARTH and must be connected to the terminal which

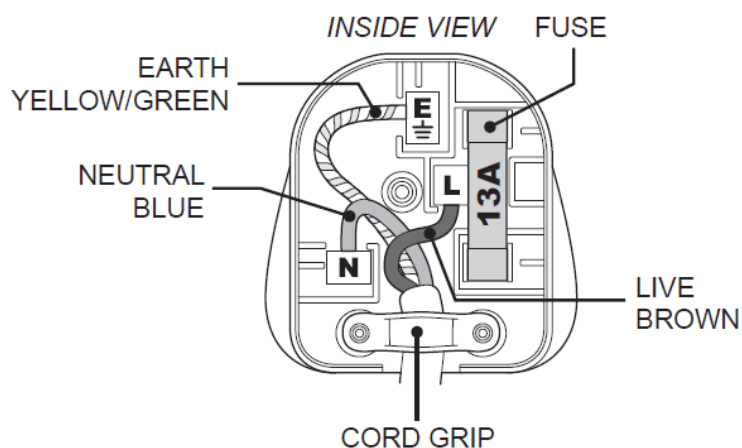
is marked with the letter E or by the earth symbol or coloured GREEN or GREEN/YELLOW.

The BLUE wire is the NEUTRAL and must be connected to the terminal marked with the letter N or coloured BLACK.

The BROWN wire is the LIVE wire and must be connected to the terminal marked with the letter L or coloured RED.

Always ensure that the plug cord grip is fastened correctly.

If a 13A (BS1363) fused plug is used it must be fitted with a 13amp fuse conforming to BS1362 and be BSI or ASTA approved.



For Customer Services & Spare Parts please call **0845 209 7461**

Opening times: Monday - Friday 8am – 6pm & Saturday 9am – 1pm or visit us at

**[www.productcareuk.com](http://www.productcareuk.com)**

# Problem solving & plug

## Problem solving

The microwave oven may cause interference to your radio, TV or similar equipment. If it does, you can get rid of the interference by moving the radio, TV or equipment as far away from your microwave oven as possible.

If the oven doesn't work -

- Make sure the mains plug is plugged in securely. If it is not, remove the plug from the socket, wait 10 seconds and plug it in again securely.
- Check the premises for a blown circuit fuse or a tripped main circuit breaker. If these seem to be working properly, test the socket with another appliance that you know works.

If the microwave power will not work –

- Check to see whether the timer is set, or the child lock is on.
- Make sure the door is securely closed. Otherwise, the microwave energy will not flow into the oven

## Plug

If your appliance is supplied with a non-rewireable plug fitted to the mains lead you will find that it incorporates a fuse, the value of which is indicated either on the base of the plug or on the fuse carrier.

Should the fuse need replacing, you must use an ASTA approved fuse (conforming to BS1362) of the same rating.

If the fuse cover is lost the plug must not be used until a replacement is obtained from an electrical supplier.

If you need to remove the plug, cut it from the mains lead and dispose of it. Never attempt to re-use this plug or insert it into a socket outlet, as there is a very great risk of an electric shock.

For Customer Services & Spare Parts please call **0845 209 7461**

Opening times: Monday - Friday 8am – 6pm & Saturday 9am – 1pm or visit us at

**[www.productcareuk.com](http://www.productcareuk.com)**

# Guarantee

This product is guaranteed for 12 months from the date of the original purchase. If any defect arises due to faulty materials or workmanship the faulty product must be returned to the place of purchase.

Refund or replacement is at the discretion of the store.

## **The following conditions apply:**

- The product must be returned to the retailer with the original proof of purchase.
- The product must be installed and used in accordance with the instructions contained in this instruction guide and any other instructions for use which has been supplied.
- It must be used for domestic purposes only and for its intended use.
- This guarantee does not cover wear and tear, damage, misuse or consumable parts.

**This does not affect your statutory rights.**

Produced for;  
**Asda Stores Ltd.**  
**Leeds**  
**LS11 5AD**

For Customer Services & Spare Parts please call **0845 209 7461**  
Opening times: Monday - Friday 8am – 6pm & Saturday 9am – 1pm or visit us at  
**[www.productcareuk.com](http://www.productcareuk.com)**

# Technical Specification

|                               |                       |
|-------------------------------|-----------------------|
| Rated Voltage                 | 230V – 240V ~ 50Hz    |
| Rated Output Power(Microwave) | 700W                  |
| Oven Capacity                 | 17L                   |
| External Dimensions(HxWxD)    | 262mm x 452mm x 360mm |
| Net Weight; Approx            | 10.5 kg               |

**Product name:** RHM1714RC      RHM1714CC      RHM1714BC

**Site code:**      15A.10.13.205      15A.10.13.208      15A.10.13.210

For Customer Services & Spare Parts please call **0845 209 7461**  
Opening times: Monday - Friday 8am – 6pm & Saturday 9am – 1pm or visit us at  
**[www.productcareuk.com](http://www.productcareuk.com)**

# Spare parts

The following spare parts are available from  
[www.productcareuk.com](http://www.productcareuk.com)

**Glass turntable**



**Turntable support**



**Wave Guide cover**



For Customer Services & Spare Parts please call **0845 209 7461**  
Opening times: Monday - Friday 8am – 6pm & Saturday 9am – 1pm or visit us at  
[www.productcareuk.com](http://www.productcareuk.com)

For Customer Services & Spare Parts please call **0845 209 7461**  
Opening times: Monday - Friday 8am – 6pm & Saturday 9am – 1pm or visit us at  
**[www.productcareuk.com](http://www.productcareuk.com)**

For Customer Services &  
Spare Parts please call  
**0845 209 7461**  
Opening times: Monday -  
Friday  
8am – 6pm & Saturday 9am –  
1pm or visit us at  
**[www.productcareuk.com](http://www.productcareuk.com)**

Revision 4



This symbol is known as the 'Crossed-out wheellie bin Symbol'. When this symbol is marked on a product/batteries, it means that the product/batteries should not be disposed of with your general household waste. Only discard electrical/electronic/battery items in separate collection schemes, which cater for the recovery and recycling of materials contained within. Your co-operation is vital to make sure the success of these schemes and for the protection of the environment. For your nearest disposal facility, visit [www.recycle-more.co.uk](http://www.recycle-more.co.uk) or ask in store for details.

We reserve the right due to possible changes to design to alter the instruction manual without prior notice.