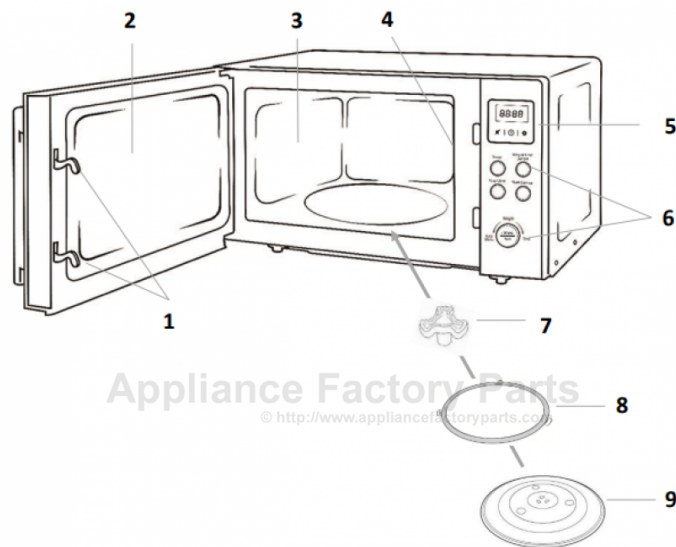


This Owner's Manual is provided and hosted by [Appliance Factory Parts](http://Appliance Factory Parts).



# Russell Hobbs RHM2086SS-G Owner's Manual

[Shop genuine replacement parts for Russell Hobbs RHM2086SS-G](#)



- |                                     |                                     |
|-------------------------------------|-------------------------------------|
| 1. Safety interlock latches         | 5. Screen display                   |
| 2. Door assembly and window         | 6. Control panel - buttons and dial |
| 3. Oven cavity                      | 7. Turntable coupling               |
| 4. Wave guide cover (do not remove) | 8. Roller ring                      |
|                                     | 9. Glass turntable                  |

[Find Your Russell Hobbs Microwave Parts - Select From 40 Models](#)

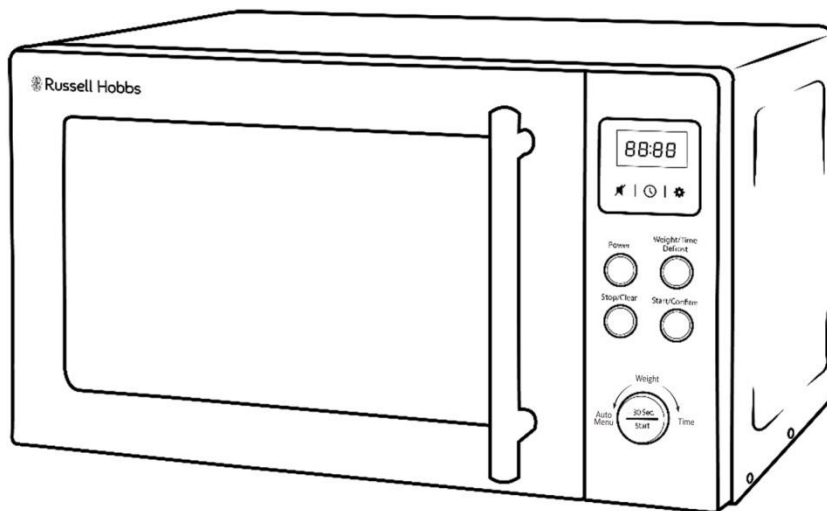
----- Manual continues below -----



# Russell Hobbs

At the heart of your home

## Compact Digital Microwave User Guide



**Model Number:  
RHM2086SS-G**

For Customer Services & Spare Parts please call **0345 209 7461**  
Or visit us at <http://mda.russellhobbs.com>

**PLEASE RETAIN**  
**FOR FUTURE REFERENCE**

# **CONTENTS**

	<b>Page(s)</b>
<b>SAFETY INSTRUCTIONS</b>	<b>3-9</b>
<b>ABOUT YOUR MICROWAVE</b>	<b>10-11</b>
<b>PRODUCT INFORMATION</b>	<b>12</b>
<b>UNPACKING THE MICROWAVE</b>	<b>13</b>
<b>PRODUCT OVERVIEW</b>	<b>14</b>
<b>MICROWAVE OVEN INSTALLATION</b>	<b>15-16</b>
<b>TURNTABLE INSTALLATION</b>	<b>17-18</b>
<b>CONTROL PANEL</b>	<b>19</b>
<b>HOW TO USE THE MICROWAVE</b>	<b>20-28</b>
<b>COOKING TIPS</b>	<b>29</b>
<b>CLEANING THE MICROWAVE</b>	<b>30</b>
<b>PROBLEM SOLVING</b>	<b>31-34</b>
<b>GUARANTEE &amp; CUSTOMER SERVICES</b>	<b>35</b>
<b>SPARE PARTS</b>	<b>36</b>
<b>CONNECTION TO THE MAINS SUPPLY</b>	<b>37-38</b>
<b>NOTES</b>	<b>39</b>
<b>DISPOSAL</b>	<b>40</b>

# **SAFETY INSTRUCTIONS**

## **IMPORTANT SAFETY INSTRUCTIONS READ CAREFULLY AND KEEP FOR FUTURE REFERENCE**

### **WARNING:**

- This appliance is intended to be used in the household and general domestic applications. It is not intended to be used in industrial or commercial applications.
- This appliance can be used by children aged from 8 years and above and persons with reduced physical, sensory or mental capabilities or lack of experience and knowledge if they have been given supervision or instruction concerning use of the appliance in a safe way and understand the hazards involved. Children shall not play with the appliance. Cleaning and user maintenance shall not be made by children without supervised.
- If the door or door seals are damaged, the oven must not be operated until it has been repaired by a competent person.
- It is hazardous for anyone other than a competent person to carry out any service or repair operation that involves the removal of a cover which gives protection against exposure to microwave energy.
- Liquids and other foods must not be heated in sealed containers since they are liable to explode.

# **SAFETY INSTRUCTIONS**

## **READ CAREFULLY AND KEEP FOR FUTURE REFERENCE**

### **WARNING:**

- A minimum clearance of 7.5cm is required between the oven and any adjacent walls. Leave a minimum clearance of 30cm above the oven.
- Use only cookware and utensils that are approved for use in a microwave oven.
- When heating food in plastic or paper containers, keep an eye on the oven due to the possibility of ignition.
- This microwave is intended for heating food and beverages only. The drying of food or clothing and heating of warming pads, wheat bags, slippers, sponges, damp cloth and similar is extremely dangerous and may lead to risk of injury, ignition or fire.
- If materials inside the oven smoke or catch fire, keep the oven door closed to stifle the flames, turn the oven off at the wall switch, or shut the power off at the fuse or circuit-breaker panel. If smoke is emitted, switch off or unplug the appliance and keep the door closed in order to stifle any flames.
- Microwave heating of beverages can result in delayed eruptive boiling, therefore care must be taken when handling the container.

# **SAFETY INSTRUCTIONS**

**READ CAREFULLY AND KEEP FOR FUTURE REFERENCE**

## **WARNING:**

- The contents of feeding bottles and baby food jars shall be stirred or shaken and the temperature checked before consumption, in order to avoid burns. Do not heat baby bottles with the teat left on. Remove it if replacing the bottle back into the oven.
- Eggs in their shell and whole hard-boiled eggs should not be heated in microwave ovens since they may explode, even after microwave heating has ended.
- The oven should be cleaned regularly and any food deposits removed.
- Failure to maintain the oven in a clean condition, especially if liquid is left under the turntable, could lead to deterioration of the surface that will adversely affect the life of the appliance that may result in a hazardous condition.
- The microwave oven should be used freestanding only and must not be built-in or used in a cabinet
- If the supply cord is damaged, it must be replaced by the manufacturer, its service agent or similarly qualified persons in order to avoid a hazard.

# **SAFETY INSTRUCTIONS**

## **READ CAREFULLY AND KEEP FOR FUTURE REFERENCE**

### **WARNING:**

- To avoid fire, electric shock, or injury, never immerse the microwave, cord, or plug in water or liquid.
- Do not use attachments not recommended by the manufacturer. Only use thermometers approved for use in microwaves.
- The appliance and its accessible parts may become hot during use. Care should be taken to avoid touching heating elements.
- Do not leave the microwave oven unattended while you are using it.
- Do not use the microwave when it is empty. This could damage the oven.
- Do not use metal pans, dishes with metal handles or anything with a metal trim inside the microwave. Do not use paper covered wire twist-ties on plastic bags.
- Never put objects into the openings on the outer case.
- Food containing a mixture of fat and water (for example, stock) should stand for 30 to 60 seconds in the oven after it has been turned off. This is to allow the mixture to settle and to prevent it from bubbling when a spoon is placed in it, or a stock cube is added.

# **SAFETY INSTRUCTIONS**

## **READ CAREFULLY AND KEEP FOR FUTURE REFERENCE**

### **WARNING:**

- When heating or cooking food or liquid, remember that there are certain foods (such as, jam, Christmas pudding, and mincemeat) which heat up very quickly.
- Do not cook any food surrounded by a membrane, such as egg yolks, potatoes, chicken livers, sausages, ready meals and so on without piercing them several times with a fork.
- Do not try to deep-fry foods in this microwave oven.
- Do not overcook food.
- Please remember that as food or liquids heat up, they will release steam or may be spitting. Never cover any container fully, always leave a gap for steam to escape.
- Do not use plastic containers when heating or cooking foods that contain a lot of fat or sugar.
- Always have the glass tray and turntable support in place when using the microwave oven.
- Do not cook food directly on the glass tray. Put food on a suitable plate or in a bowl before putting it in the oven.

# **SAFETY INSTRUCTIONS**

**READ CAREFULLY AND KEEP FOR FUTURE REFERENCE**

## **WARNING:**

- When using the grill rack and baking tray, be aware that these will become HOT during cooking as they aren't heatproof. Please use suitable oven gloves when removing these.
- Do not use melamine dishes as they contain a material which will absorb microwave energy. This may cause the dishes to crack or burn, and will slow down the cooking speed.
- Do not use the microwave oven for heating utensils, plates or dishes.
- Do not cook using a container with a restricted opening, such as bottles, as they may explode.
- Before you clean your microwave oven, turn it off and unplug it.
- Keep the inside of the oven clean. When food or liquids stick to the oven walls, wipe with a damp cloth. We recommend that you do not use harsh detergent or abrasives.

# SAFETY INSTRUCTIONS

**READ CAREFULLY AND KEEP FOR FUTURE REFERENCE**

## **WARNING:**

- On the right hand wall of the cavity is the wave guide cover, microwaves are passed through this to enable your food to cook. **It is important that this wave guide cover is kept clean at all times.** To do this wipe with mild detergent and water, then dry.
- You should clean the outside of the oven with a damp cloth. Do not allow water to seep into the ventilation openings.
- Do not use harsh abrasive cleaners or sharp metal scrapers to clean the oven door glass since they can scratch the surface, which may result in shattering of the glass.
- If steam builds up inside or around the outside of the oven door, wipe with a soft cloth. This may happen when the microwave oven is used in humid conditions.
- Regularly remove the glass turntable to clean it, wash it in warm soapy water or a dishwasher. Regularly clean the turntable support and oven floor. Simply wipe the bottom surface of the oven with mild detergent and water, then dry. You can wash the turntable support in mild soapy water.

# **ABOUT YOUR MICROWAVE**

**Thank you for purchasing your Russell Hobbs microwave oven.**

The Russell Hobbs RHM2086SS-G microwave has a sleek and stylish design, boasting an attractive mirror door finish. This attractive appliance is simple and easy to use with its 700 watts of microwave power, providing you quick and convenient cooking in your home.

The RHM2086SS-G from Russell Hobbs is a 17 litre cavity capacity microwave, comfortably fitting a standard size of dinner plate. It comes with a removable and dishwasher safe glass turn-table for easy cleaning.

Pre-programmed auto cook menus, such as pizza (reheat), fish, and popcorn, allow you to cook all your favourite foods at the push of a button. What's more, there's automatic defrost settings meaning all you have to do is input the weight of the food, and the microwave selects the ideal defrost time, saving you time and effort.

Additional features include a handy digital clock and count-down timer, and for added peace of mind, the RHM2086SS-G comes with a child safety lock option, preventing young children from being able to open the microwave door.

# ABOUT YOUR MICROWAVE

## How do microwaves work?

Microwaves are high-frequency electromagnetic waves similar to radio waves. While radio waves may vary in length from one metre to many kilometres, microwaves are very short (less than 12.5 centimetres.)

Microwaves do not make any heat themselves but cause water molecules in food to vibrate.

This vibration produces heat that cooks the food. This is why your food will come out of the microwave piping hot, when your utensils inside the oven stay much cooler. The microwaves do not stay in the air or in the food when you open the microwave oven door.

The microwave oven will work using an ordinary household electrical socket. Inside the microwave oven is the magnetron, which turns the electrical energy into microwaves.

Microwaves cannot travel through metal, so the inside of the oven is lined with metal. The door is lined with a fine metal mesh which stops microwaves getting through. This means that when the microwave oven door is shut, there is no possibility that microwaves can be released.

# PRODUCT INFORMATION

<b>Rated Voltage</b>	230-240V/50Hz
<b>Rated Input Power (Microwave)</b>	1200W
<b>Rated Output Power (Microwave)</b>	700W
<b>Oven Capacity (litres)</b>	17*

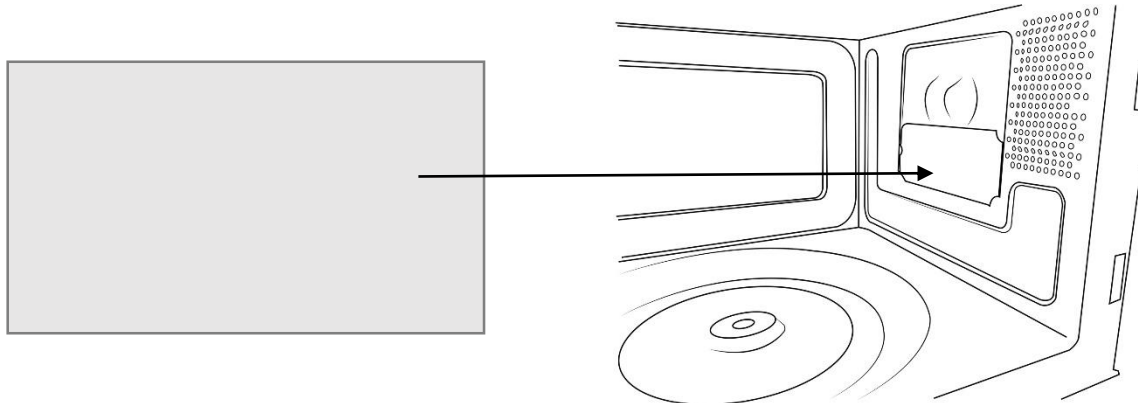
\*Internal volume is calculated by measuring maximum width, depth and height. Actual capacity for holding food is less.

Produced for:  
**G2S Limited**  
**Wigan**  
**WN2 4AY**

# UNPACKING THE MICROWAVE

## Before you use your microwave oven

1. Remove all the packaging. **Do not** remove the large piece of mica board from the right hand side of the cavity wall (Refer to the below image). This is called a wave-guide cover and allows the microwaves to pass through to cook the food.



**Please ensure you keep this cover clean at all times by wiping with a damp cloth. Do not remove/place in a dishwasher.**

2. Check the oven after unpacking for any visual damage such as:

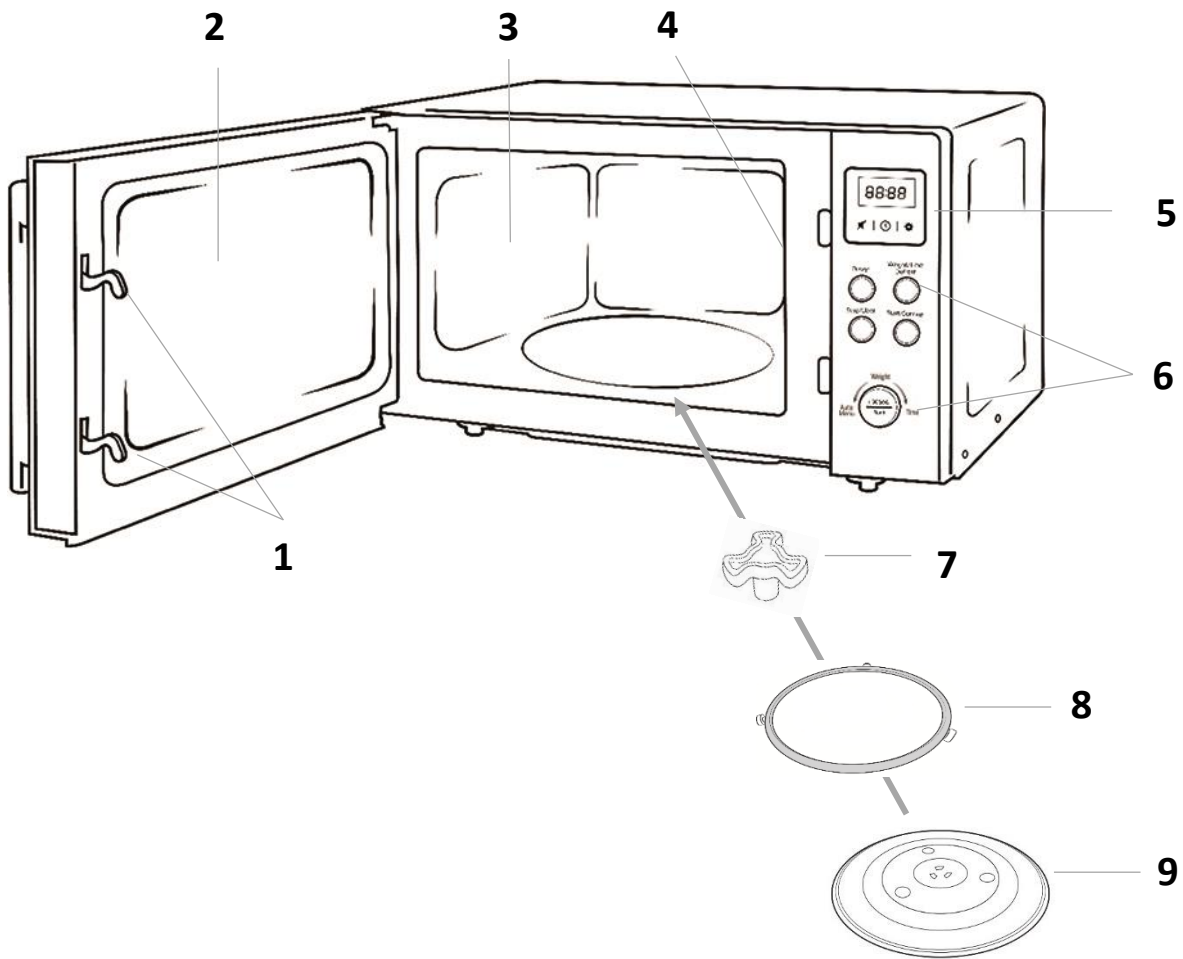
- A misaligned door
- Damage to the door
- Dents or holes in the door window and screen
- Dents in the inside

**If you can see any damage do not use the oven, please contact Customer Service team on 0345 209 7461.**

This microwave oven must be put on a horizontal surface that is strong enough to support its weight.

The oven must be placed away from high temperatures and steam.  
Do not put anything on the top of the microwave oven.

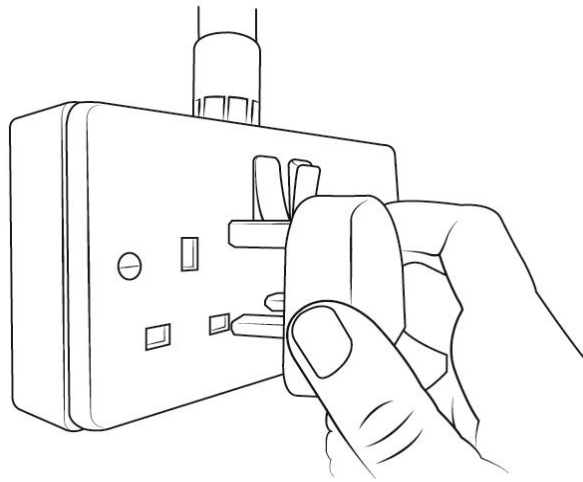
# PRODUCT OVERVIEW



- |                                     |                                     |
|-------------------------------------|-------------------------------------|
| 1. Safety interlock latches         | 5. Screen display                   |
| 2. Door assembly and window         | 6. Control panel - buttons and dial |
| 3. Oven cavity                      | 7. Turntable coupling               |
| 4. Wave guide cover (do not remove) | 8. Roller ring                      |
|                                     | 9. Glass turntable                  |

# MICROWAVE OVEN INSTALLATION

- Place the oven as far away from radios and televisions as possible. Using the oven may cause interference with the reception.
- Plug the oven into a suitable 13 amp mains socket, make sure the voltage is the same as on the rating label (do not use extension cables or mains socket adaptors.)



- The microwave oven should be used freestanding only and must not be built-in or used in a cabinet.
- Select a level surface that provides enough space for the outlet vents.

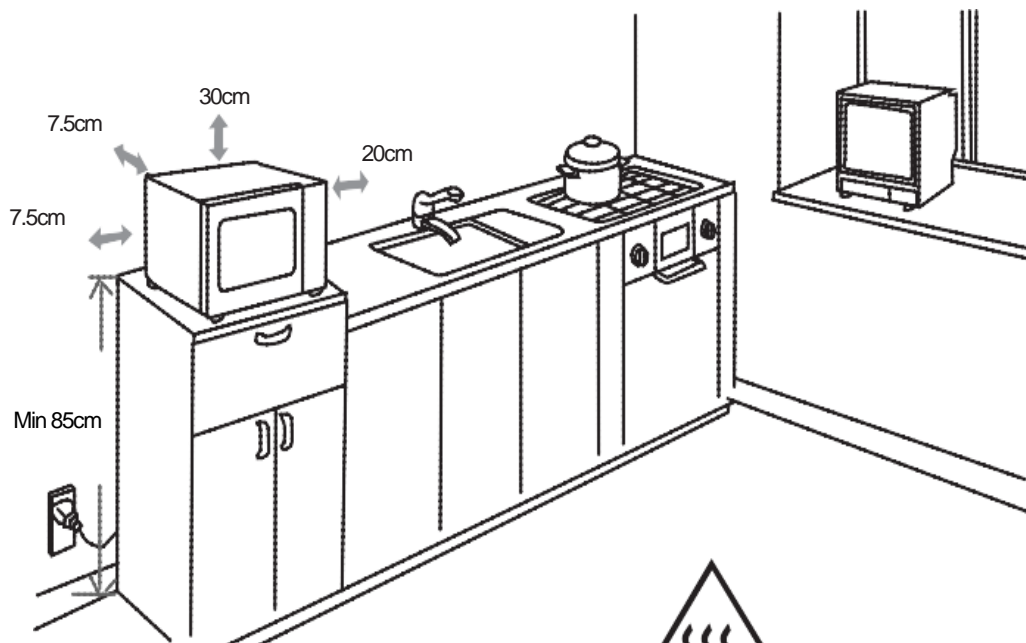
# MICROWAVE OVEN INSTALLATION

The minimum installation height is 85cm.

A minimum clearance of 7.5cm is required between the oven and any adjacent walls. Leave a minimum clearance of 30cm above the oven.

## WARNING:

**DO NOT** install the oven over a cooker or other heat or steam producing appliance as this will damage the microwave oven.

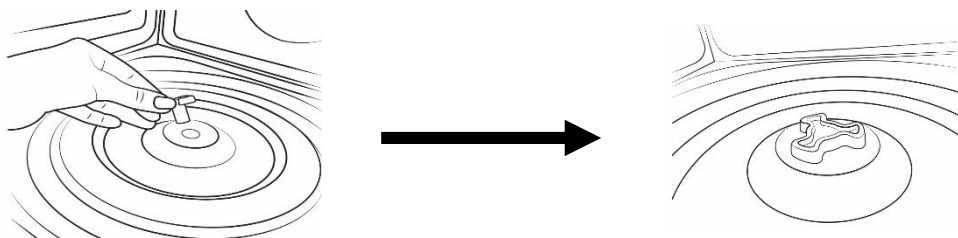


**DO NOT** obstruct  
the ventilation  
from the microwave

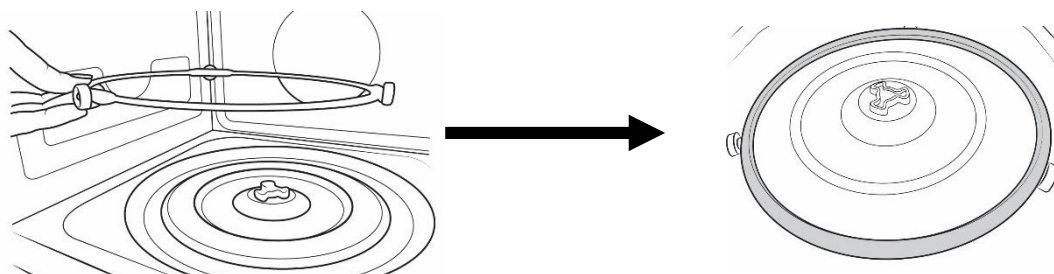
# TURNTABLE INSTALLATION

- Before first use, check that any securing tape and all packaging has been removed from the glass tray and turntable ring assembly.
- **These parts must never be restricted from rotating.**
- Never place the glass tray upside down.
- To assemble the turntable, follow the steps below in number order.

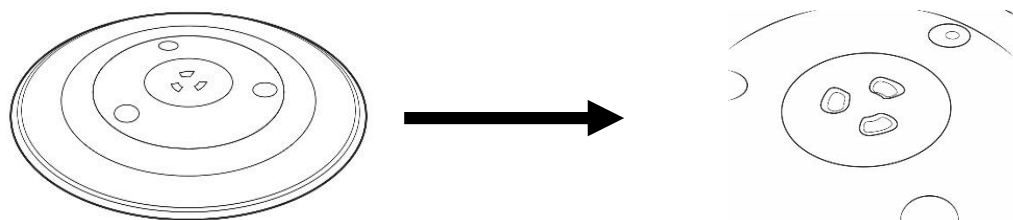
**STEP 1)** The turntable coupling should slot into the centre of microwave



**STEP 2)** The turntable ring slots into the indents in the microwave base

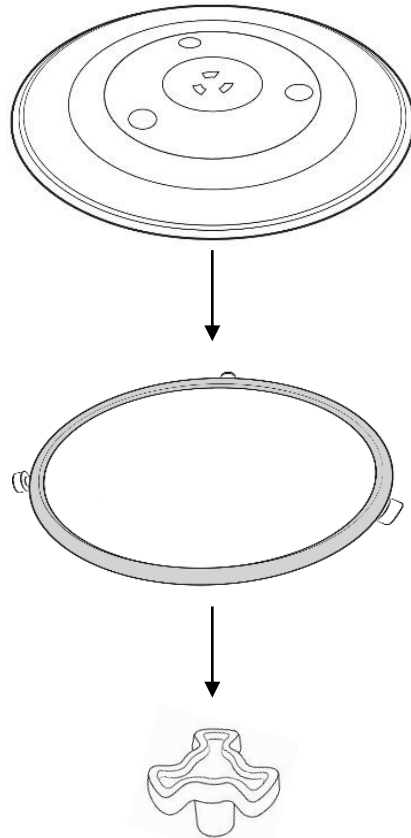


**STEP 3)** The glass tray should align with the turntable coupling



# TURNTABLE INSTALLATION

The glass tray, turntable ring, and turntable coupling assembly must always be used during cooking (as shown below).

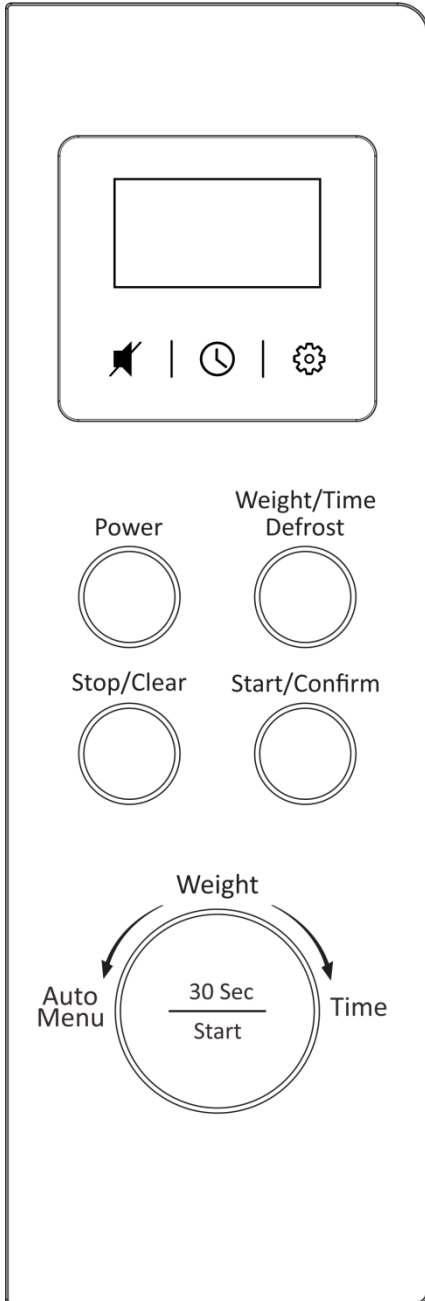


- Do not place the food directly onto the glass tray, always place on or in suitable microwaveable cookware.

**Please check that crockery is microwave safe before using.**

- If the glass tray or turntable ring assembly has been damaged in any way, please contact Customer Service team on **0345 209 7461**.

# CONTROL PANEL



## Screen Display

Cooking time, power action indicators, and clock time are displayed.

### (Clock)

Press this button to set the time.

### (Mute)

Press to set mute function.

### (Pre-set)

Press to set a pre-set cooking time.

## Power

Press this button a number of times to set a cooking power level.

## Weight/Time Defrost

Press this button to input weight or time for defrosting.

## Stop/Clear

Press to Stop/Clear the cooking process.

## Start/Confirm

Press to start a cooking program.

## Auto Menu/Weight/Time (the dial)

Turn the dial to input a cooking time, select the kind of food you want to cook from the Auto menu.

## +30 Sec / Start (the dial)

Simply press it a number of times to set a quick start cooking time.

# HOW TO USE THE MICROWAVE

## Setting the clock (24 hour)

For example, if you want to set the time to 08:30 (am:)

1. Press the '**Clock**' button. The display will show '**24H**', and the clock symbol will be displayed.
2. Turn the '**Auto Menu/Weight/Time**' dial clockwise until the display shows '**8:**'. The clock symbol will start to flash.
3. Press the '**Clock**' button. The display will show '**8:00**' and the clock symbol will continue to flash.
4. Turn the '**Auto Menu/Weight/Time**' dial clockwise until the display shows '**08:30**'. Press the '**Clock**' button to confirm. The clock is now set.

### Note:

Before setting a cooking program the clock needs to be set.

If the clock is not set, the clock will not function when powered.

During the process of clock setting, if you press '**Stop/Clear**' button, the oven will go back to the previous status.

## Microwave cooking

Once you have correctly installed the unit, turned on the power and set the clock, you are ready to start cooking.

Your microwave has 6 power levels, the lowest at 0%, then 20%, 40%, 60%, 80%, up to 100% (or full power.)

Most recipes are cooked on full power – this should be indicated on the packaging of microwavable food.

1. To select a power level, press the '**Power**' button.
  - When pressed once the screen display will show 100%

# HOW TO USE THE MICROWAVE

- When pressed twice the screen display will show 80%
  - When pressed three times the screen display will show 60%
  - When pressed four times the screen display will show 40%
  - When pressed five times the screen display will show 20%
  - When pressed six times the screen display will show 0%
- 2.** Turn the **'Auto Menu/Weight/Time'** dial clockwise to set the required time.
- 3.** Press the **"Start/Confirm"** button to commence cooking.
4. Please note: 'End' will be displayed and 4 beeps will be heard every 2 minutes until the oven door is opened or the **'Stop/Clear'** button is pressed.
- The maximum cooking time is 95 minutes. Do not operate the oven empty, this can cause irreparable damage.

## **Pausing cooking**

If you want to pause the cooking to turn over or stir contents, simply open the door, then close again and press the **'Start/Confirm'** button to continue the cycle.

If you wish to stop cooking with time left on the display, take out the contents, close the door and press the **'Stop/Clear'** button once to clear.

When the cooking process has finished 'End' will be displayed and 4 beeps will be heard every 2 minutes until the oven door is opened or the **'Stop/Clear'** button is pressed.

## **Quick start function**

For quick and easy microwave cooking, you can press the **'+30 Sec/Start'** dial to automatically add 30 seconds of cooking. This can be pressed multiple times for cooking up to 95 minutes on full power.

**Note:** This function does not work for defrost, auto menu, multi-stage cooking or during the cooking process.

# HOW TO USE THE MICROWAVE

## **Defrost**

The microwave generally penetrates 4cm into most foods. Therefore you must ensure food is thoroughly defrosted before starting the cooking process.

For even defrosting results, ensure you turn the food over during the cycle.

Defrosting generally takes longer than the cooking time of food.

Defrosted food should be consumed as soon as possible, do not put it back in the fridge or freeze again.

## **Weight Defrost**

As an example, to defrost 400g of poultry:

- 1.** In standby mode, press the '**Weight/Time Defrost**' button twice – '**d-2**' will be displayed. Then press the '**Start/Confirm**' button.
- 2.** Turn the '**Auto Menu/Weight/Time**' dial clockwise until you reach the desired weight '**400g**'.
- 3.** To commence defrosting, press the '**Auto Menu/Weight/Time**' dial.

## **Time Defrost**

As an example, to defrost 10 minutes:

- 1.** In standby mode, press the '**Weight/Time Defrost**' button once – '**d-1**' will be displayed. Then press the '**Start/Confirm**' button.
- 2.** Turn the '**Auto Menu/Weight/Time**' dial clockwise until you reach the desired time '**10:00**'.
- 3.** To commence defrosting, press the '**Start/Confirm**' button.

**Note:** Approximately two thirds of the way through the defrosting time in both Weight Defrost and Time Defrost, the oven will beep and pause. This is to allow you to turn over the food for even defrosting. Turn over or rearrange the food and press the '**Start/Confirm**' button to resume defrosting. To defrost fatty meat, defrost intermittently until defrosted. Ice should be removed at all times.

# HOW TO USE THE MICROWAVE

Please note: 'End' will be displayed and 4 beeps will be heard every 2 minutes until the oven door is opened or the **'Stop/Clear'** button is pressed.

**Note: Ensure food is thoroughly defrosted before starting the cooking process**

## **Auto cooking function**

There are 8 auto menus you can use for easy cooking, automatically calculating the cooking time based on the type of food and weight. To access the menus, turn the **'Auto Menu/Weight/Time'** dial anti-clockwise. For guide lines, please see the Auto Menu Table on the following page.

1. Place the food in a container suitable for use with microwave ovens and put it into the oven.
2. Choose the auto menu you want by turning the **'Auto Menu/Weight/Time'** dial anti-clockwise. The **'Auto'** symbol will be displayed.
3. Press the **'Start/Confirm'** button to confirm the menu. The display will show the weight in grams or amounts.
4. Turn the **'Auto Menu/Weight/Time'** dial to select the food weight or amount. Press the **'Start/Confirm'** button to confirm. The oven will now start to cook the food.
5. When the food has finished cooking the oven will beep 4 times to let you know and the word **'End'** will be displayed.

Please note: 'End' will be displayed and 4 beeps will be heard every 2 minutes until the oven door is opened or the 'Stop/Clear' button is pressed. It is advisable to stir and turn food where needed to ensure even cooking, be sure to handle hot food with care. You will need to use your discretion regarding food type, temperature and weight as times may vary – the table on the next page is a guideline for each auto cooking setting:

# HOW TO USE THE MICROWAVE

Auto menu	Food	Weights	Recommendations
1	Milk/Coffee	1-200ml 2-400ml 3-600ml	Place the cup onto the center of the turntable. When the liquid has been removed from the oven, leave to stand before adding sugar.
2	Rice	150g 300g 450g 600g	Place the rice into a suitable container, cover with water.
3	Spaghetti	100g 200g 300g	Place the spaghetti into a suitable container, cover with boiling water.
4	Potatoes (230g / each)	1-230g 2-460g 3-690g	Prick the skins and place on a suitable plate. Turn the potatoes over halfway through the cooking time. If the potato's used are larger than 230g each then they will need to be cut up in to smaller portions to ensure thorough cooking.
5	Auto reheat	200g 300g 400g 500g 600g 700g 800g	Straight from the refrigerator.
6	Fish	200g 300g 400g 500g 600g	Place the fish in a suitable container and cover with microwave safe cling film.
7	Pizza (reheat)	150g 300g 450g	Straight from the refrigerator.
8	Popcorn	99g	A regular bag from the supermarket (some weights may differ, when cooking remove the bag of popcorn when the corn stops popping at regular intervals)

# HOW TO USE THE MICROWAVE

## **Multi Stage cooking**

For some recipes, results may be better if you wish to cook on different power levels for different times, for one dish.

**Note:** This can be used to set a maximum of two different stages. The auto menu cannot be set as one of the multi-stage cooking functions.

For example, if you want to cook food on 100% power for 5 minutes and then cook food on 60% power for 10 minutes:

1. Place the food in a container suitable for use with microwave ovens and put it in the oven.
2. Press the **'Power'** button once, turn the **'Auto Menu/Weight/Time'** dial to set the time **'5:00'**.
3. The symbols **'Microwave'** and **'1s'** will light up.
4. **Do not** press the **'Start/Confirm'** button, instead continue to set the second stage of the cooking program.
5. Press the **'Power'** button 3 times to choose 60% power.
6. Turn the **'Auto Menu/Weight/Time'** dial to set the time **'10:00'**. The symbols **'Microwave'** and **'2s'** will light up.
7. Press the **'Start/Confirm'** button. The display will show **'1s'** for first stage cooking. When the first stage is completed, the oven will beep and automatically change to the second stage and the display will show **'2s'**.
8. When the food has finished cooking the oven will beep 4 times to let you know and the word **'End'** will be displayed.

**Please note:** **'End'** will be displayed and 4 beeps will be heard every 2 minutes until the oven door is opened or the **'Stop/Clear'** button is pressed.

**Note:** If you are using 1 function the display will show **'1s'** (1 stage cooking) If you are using 2 functions, the display will show **'2s'** (2 stage cooking).

# HOW TO USE THE MICROWAVE

## **Pre-set cooking function**

You can set your microwave to start cooking at a pre-set time, without the need to be present to input the programmes. Make sure your food is in the microwave and prepared when you programme the pre-set function.

## **You will need to set the clock and the cooking menu and time.**

It is possible to input a maximum of 2 cooking stages. Do not use the defrost function in the pre-set function. The auto menu can be set for a single stage only.

## **Pre-set cooking function example**

If the current time is, **12:30** and you want the microwave to cook on **80% power** for **7 minutes** at **14:20**:

1. Press the '**Power**' button twice for 80% microwave power – '**80%**' is displayed.
2. Turn the '**Auto Menu/Weight/Time**' dial to adjust the cooking time to 7 minutes.
3. After the above steps, **DO NOT** press the '**Start/Confirm**' button, but do as follows:
4. Press the '**Pre-Set**' button, the current time displays and the hour figures flash.
5. Turn '**Auto Menu/Weight/Time**' dial to adjust the hours to display '**14:**'. Press '**Pre-Set**' button and the minute figures will flash along with the hour figures. Turn the '**Auto Menu/Weight/Time**' dial to adjust the minutes to display '**20**'. This sets the start time.
6. Press the '**Pre-set**' button to finish setting. The oven will automatically start to operate at 14:20.

**Please note:** 'End' will be displayed and 4 beeps will be heard every 2 minutes until the oven door is opened or the '**Stop/Clear**' button is pressed.

If you wish to cancel the pre-set cooking, press the '**Pre-set**' button once, then press the '**Stop/Clear**' button within 5 second.

# HOW TO USE THE MICROWAVE

## **Mute function**

To set up the mute function, simply press **'Mute'** once, the oven will beep once to let you know the mute function is switched on.

To de-activate the mute function, press **'Mute'** once, the mute function is switched off. A beep will sound when a button is pressed.

## **Child safety lock**

This function is to prevent children from using the microwave oven.

To set the child lock: In standby mode, the microwave oven will enter the child lock mode automatically if there is not any operation in one minute. And the symbol of "Lock" will light up.

To cancel the child lock: The Lock model will be cancelled by opening or closing the oven door. The symbol of "Lock" will disappear.

# HOW TO USE THE MICROWAVE

## **Utensil information**

- Do not use metal pans or dishes with metal handles.
- Do not use anything with a metal trim.
- Do not use paper-covered wire twist-ties on plastic bags.
- Do not use melamine dishes as they contain a material which will absorb microwave energy. This may cause the dishes to crack or burn, and will slow down the cooking speed.
- Use only cookware that is approved to be used in a microwave oven.
- Do not cook using a container with a restricted opening, such as bottles, as they may explode.
- Do not heat baby bottles with the teat left on. Remove it if replacing the bottle back into the oven.
- Only use thermometers that are approved for microwave ovens.
- Do not use the microwave oven for heating utensils.

# COOKING TIPS

## **Defrosting tips**

Microwaves penetrate around 4cm into most food. To maximize defrosting effectiveness follow the below guidelines:

1. For thick foods, turn regularly during operation in order to defrost evenly.
2. If food weighs over 500g, it is advised to turn at least 2 times.
3. Defrosted food should be consumed as soon as possible, it is not advisable to put back into the fridge or freeze again.

**Cooking tips** - The following may affect cooking results:

### **Food arrangement**

If possible, thicker bits of food should be placed around the outside of the dish and the thinner parts toward the centre, spread out as evenly as possible. Do not overlap food if possible as this could result in uneven cooking results.

### **Cooking time**

If you are unsure of cooking times it is advisable to start with a short cooking time and monitor cooking progress before adding further time. Overcooking could lead to a risk of fire. Ensure food is cooked thoroughly before consuming.

### **Cooking food evenly**

Foods such as meat should be turned frequently to ensure more even cooking results. If the food is liquid based, stirring during the cooking time is advisable.

### **Allow standing time**

When the microwave has stopped cooking, leave the food to rest for an adequate length of time to allow for cooking completion and cooling.

# CLEANING THE MICROWAVE

- Before you clean the oven, **turn it off and unplug it.**
- Keep the inside of the oven clean. When food or liquids stick to the oven walls, wipe with a damp cloth. We recommend that you do not use harsh detergent or abrasives.
- On the right hand side wall of the cavity is the wave guide cover, microwaves are passed through this to enable your food to cook. It is important that this wave guide cover is kept clean at all times. To do this wipe with mild detergent and water, then dry.
- You should clean the outside of the oven with a damp cloth. **Do not allow water to seep into the ventilation openings.**
- **Do not allow the control panel to become wet.** Clean with a soft, damp cloth. Do not use detergents, abrasives or spray-on cleaners on the control panel.
- If steam builds up inside or around the outside of the oven door, wipe with a soft cloth. This may happen when the microwave oven is used in humid conditions.
- Regularly remove the glass turntable to clean it, and wash it in warm soapy water. Regularly clean the turntable support and oven floor. Simply wipe the bottom surface of the oven with mild detergent and water, then dry. You can wash the turntable support in mild soapy water.
- When removing the turntable support of the oven, make sure you put it back properly.
- If the inside of the oven smells, put a cup of water with the juice and skin of one lemon in a deep microwave bowl. Microwave it for three minutes, wipe thoroughly and then dry with a soft cloth.
- Failure to maintain the oven in a clean condition, especially if liquid is left under the turntable, could lead to deterioration of the surface that will adversely affect the life of the appliance that may result in a hazardous condition.

# PROBLEM SOLVING



**WARNING: To reduce the risk of personal injury, always unplug the microwave before performing maintenance or trouble shooting checks.**

The microwave oven may cause interference to your radio, TV or similar equipment. If this happens, you can stop the interference by moving the radio, TV or equipment as far away from your microwave oven as possible.

Problem	Potential reason	Potential solution
If the microwave doesn't work	1. Microwave is not plugged in	Make sure the plug is plugged in securely into the mains and the plug is switched on. If it is not, remove the plug from the socket, wait 10 seconds and plug it in again securely.
	2. Plug is not working	The plug socket that the microwave is plugged into may have become faulty. Plug the microwave into another known good plug socket, ensure that the socket is turned on and check if the microwave now works.
	3. The plug has a blown fuse or the mains circuit has a blown fuse/tripped fuse	Check the plug for a blown circuit fuse or a tripped main circuit breaker. If these seem to be working properly, test the socket with another appliance.
	4. Microwave has developed a fault	Contact customer services to talk through the problem to see if any solution for the fault can be found. If not and the product is within its warranty period, then the microwave should be returned to the retailer it was purchased from for a replacement or refund.
If the microwave power will not work	1. Door is not closed	Make sure the door is securely closed. Otherwise, the microwave will not engage or operate.
	2. The power has not been set/the time dial has not been turned	Set the microwave power by pressing the 'Power' button. Select the time by turning the dial and pressing 'Start' to confirm.
Not heating	Magnetron not working	The component that produces the microwaves is called a magnetron, if food is not being heated or is 'luke' warm then it is likely this component has developed a fault. If the microwave is within its warranty period, please contact customer services for further advice or take the microwave back to the retailer it was purchased from for a refund or replacement.

# PROBLEM SOLVING

Problem	Potential reason	Potential solution
Sparking	1. Burnt on food debris	<p>Spillages or splashes can burn and catch fire, all food that is put into the microwave should be appropriately covered. All spillages or splashes must be cleaned, and all areas of microwave cleaned after each use.</p> <p>Burnt on food debris in the microwave, on the wave guide and the behind the wave guide can cause the microwave to 'spark'. This is because burnt on debris can be focused on by the microwaves and spark.</p> <p>Microwaves must be thoroughly cleaned after every use to ensure no food is burnt on to any part of the microwave.</p>
	2. Metal or foil	<p>No metal or foil should be put inside a microwave as it can cause 'sparking' which can damage the microwave.</p> <p>The only metal accessories that should be used inside the microwave are the ones supplied by the manufacturer.</p>
	3. Pressure build up in food	<p>Food with none porous skins (potatoes for example), must be pierced to allow steam to escape. As the build up of pressure can cause food to burst and create a 'fire hazard'.</p>
Heat spots	Operated empty or with no moisture	<p>Microwaves cannot be run empty, microwaves need moisture to operate correctly.</p> <p>If microwaves are operated empty or are used to heat up plates (this is not permitted), the microwaves can focus on a single point inside the microwave. This can cause a heat spot, which can cause the area to become deformed, warped or start to melt.</p> <p>If microwaves are operated empty or to heat up foreign objects this will void the warranty.</p>

# PROBLEM SOLVING

Problem	Potential reason	Potential solution
Condensation or excess water	1. Food that is being cooked	By the very nature of how a microwave works, it 'excites' the water molecules in the food it is heating, causing them to move about and generate heat from within the food. Often when the food heats up it reaches the point where steam is released. Dependent on the food type being heated (and its water content level), the length of time being heated for – and so the amount of steam generated – it is inevitable that some of the steam will condense and form back into water droplets within the microwave cavity. This can usually be found on the inner walls or most commonly on the back of the glass door. If not cleaned up, these droplets can start to form small 'pools' of water.
	2. Cooling vents covered	Cooling vents allow the heat and steam to escape from the microwave. These cannot be covered as it can cause excessive water to settle inside the microwave or the microwave to overheat. The installation instructions in the instruction manual must be followed or the warranty will be void.
Paint damage/peeling	Maintenance	If the microwave is within its warranty period, please contact customer services for further advice or take the microwave back to the retailer it was purchased from for a refund or replacement.
Light not working	Bulb not working	Due to the construction of microwaves and certain 'dangerous' components inside, the light bulb can only be changed by a qualified service engineer. If the microwave is within its warranty period, please contact customer services for further advice or take the microwave back to the retailer it was purchased from for a refund or replacement
Over heating	Cooling vents covered	Cooling vents allow the heat and steam to escape from the microwave. These cannot be covered as it can cause excessive water to settle inside the microwave or the microwave to overheat. The installation instructions in the manual must be followed or the warranty will be void.
Too noisy	1. Glass turntable fitted incorrectly	Check that the glass turntable has been placed correctly on the turntable and is not hitting the walls/doors of the microwave during operation.
	2. Dishes/plate are too large for the microwave	Check that the dishes/plates are the correct size for the microwave and that they are not hitting the walls/door of microwave during operation.

# PROBLEM SOLVING

Problem	Potential reason	Potential solution
Door not shutting/ locking	1. Glass turntable fitted incorrectly	Check that the glass turntable has been placed correctly on the turntable and is not stopping the door from shutting correctly.
	2. Latches have become deformed	If the microwave is within its warranty period, please contact customer services for further advice or take the microwave back to the retailer it was purchased from for a refund or replacement.
Turntable not rotating	1. Turntable coupling not fitted or tape not removed	Check that the turntable coupling is fitted correctly and the transportation tape has been removed.
	2. Turntable roller ring not fitted or fitted incorrectly	Check that the coupling has been placed under the turntable and that it is positioned correctly.
	3. Glass turntable fitted incorrectly	Check that the glass turntable has been placed correctly on the turntable.
	4. Turntable has developed a fault	If the microwave is within its warranty period, please contact customer services for further advice or take the microwave back to the retailer it was purchased from for a refund or replacement.

# **GUARANTEE & CUSTOMER SERVICES**

At Russell Hobbs, we take all our customer feedback seriously.

**Feel free to contact our Customer Service Team on**

**0345 209 7461**

**who will be more than happy to assist you.**

This product is guaranteed for **12 months** from the date of the original purchase. If any defect arises due to faulty materials or workmanship, the faulty product must be returned to the place of purchase.

Refund or replacement is at the discretion of the retailer.

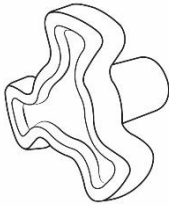
## **The following conditions apply:**

- The product must be returned to the retailer with the original proof of purchase.
- The product must be installed and used in accordance with the instructions contained in this instruction guide and any other instructions for use which are supplied.
- It must be used for domestic purposes only and for its intended use.
- This warranty does not cover wear and tear, damage, misuse or consumable parts.

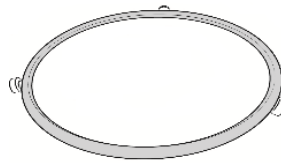
# SPARE PARTS

To check the availability of the following spare parts, simply contact our friendly Customer Service team on **0345 209 7461**.

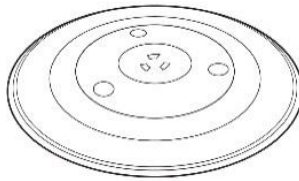
**Turntable coupling**



**Turntable ring**



**Glass turntable**



# CONNECTION TO THE MAINS SUPPLY

## **WARNING - THIS APPLIANCE MUST BE EARTHED**

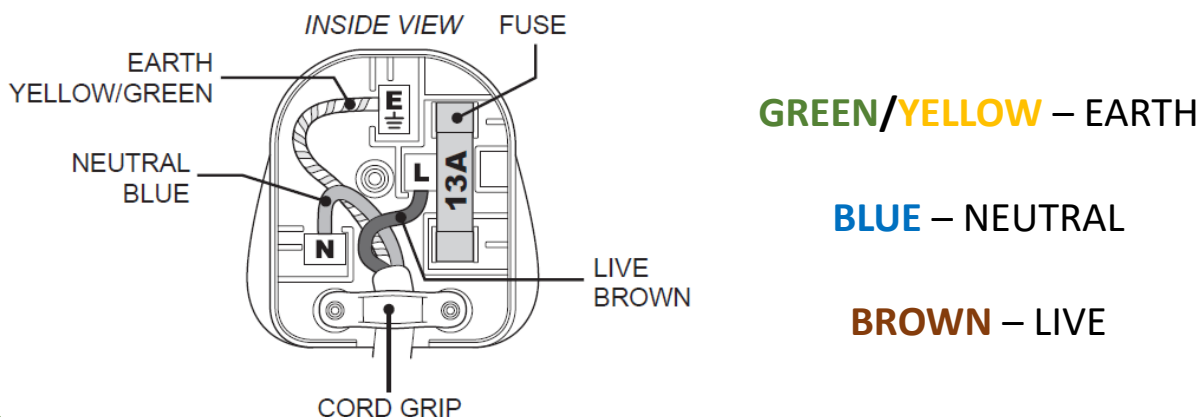
This appliance is designed to operate from a mains supply of  
230-240V~ 50Hz.

Check that the voltage marked on the product corresponds with  
your supply voltage.

This product is fitted with a moulded 13A plug complying with  
BS1363. If this plug is unsuitable or needs to be replaced, refer to  
customer services as it should only be replaced by a qualified  
engineer.

To replace the 13amp fuse, remove the plug from the socket,  
remove the fuse cover near the pins of the plug, remove the fuse  
and replace with 13amp fuse. Refit the fuse cover and plug the unit  
back into the power supply.

Important: The wires in the mains lead are coloured in  
accordance with the following code:



# CONNECTION TO THE MAINS SUPPLY

## For UK use only – PLUG

- As the colours of the wires in the mains lead of this appliance may not correspond with the coloured markings identifying the terminals in your plug, proceed as follows:
- The **GREEN/YELLOW** wire is the EARTH and must be connected to the terminal which is marked with the letter E or by the earth symbol or coloured **GREEN** or **GREEN/YELLOW**.
- The **BLUE** wire is the NEUTRAL and must be connected to the terminal marked with the letter N or coloured **BLACK**.
- The **BROWN** wire is the LIVE wire and must be connected to the terminal marked with the letter L or coloured **RED**.
- **Always ensure that the plug cord grip is fastened correctly.**
- If a 13A (BS1363) fused plug is used it must be fitted with a 13amp fuse conforming to BS1362 and be BSI or ASTA approved.

If the fuse cover is lost the plug must not be used until a replacement is obtained from an electrical supplier.

If you need to remove the plug, cut it from the mains lead and dispose of it. NEVER attempt to re-use this plug or insert it into a socket outlet, as there is a very great risk of electrical shock.

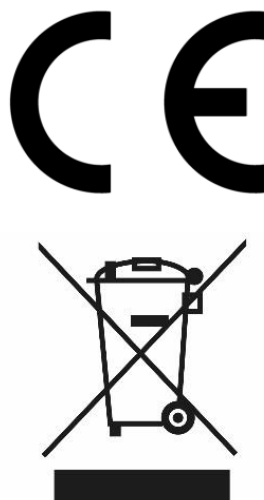
# NOTES

A large, empty rounded rectangular box with a thin green border, intended for taking notes.

For Customer Services & Spare  
Parts please call: **0345 209 7461**

Or visit us at  
**<http://mda.russellhobbs.com>**

Revision 2.1



This symbol is known as the 'Crossed-out wheeie bin Symbol'. When this symbol is marked on a product/batteries, it means that the product/batteries should not be disposed of with your general household waste. Only discard electrical/electronic/battery items in separate collection schemes, which cater for the recovery and recycling of materials contained within. Your co-operation is vital to ensure the success of these schemes and for the protection of the environment. For your nearest disposal facility, visit [www.recycle-more.co.uk](http://www.recycle-more.co.uk) or ask in store for details.

We reserve the right, due to possible changes to design, to alter the instruction manual without prior notice.

40