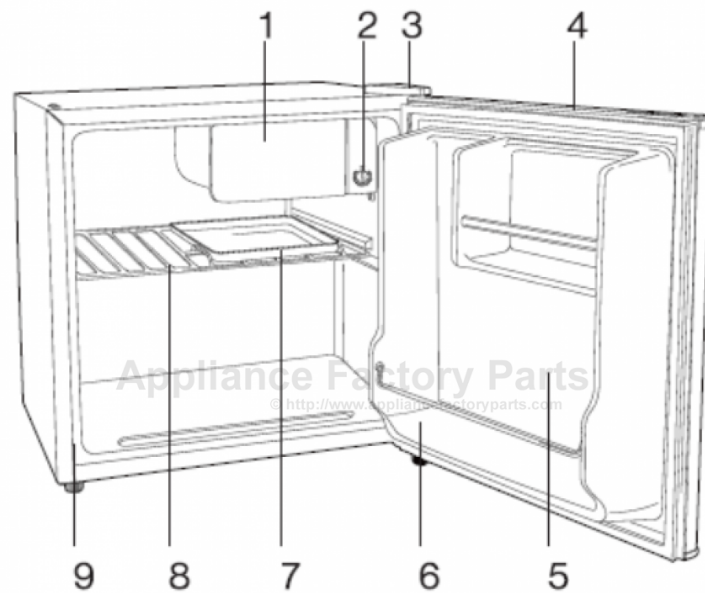


This Owner's Manual is provided and hosted by [Appliance Factory Parts](http://www.ApplianceFactoryParts.com).



Russell Hobbs RHTTLF1B-LCK Owner's Manual

[Shop genuine replacement parts for Russell Hobbs RHTTLF1B-LCK](#)



- | | |
|-------------------------------|--------------------|
| 1. Ice-cube compartment | 6. Lower hinge |
| 2. Thermostat OFF 1 2 3 4 5 6 | 7. Drip tray |
| 3. Upper hinge | 8. Shelf |
| 4. Handle recess | 9. Adjustable foot |
| 5. Door shelves | |

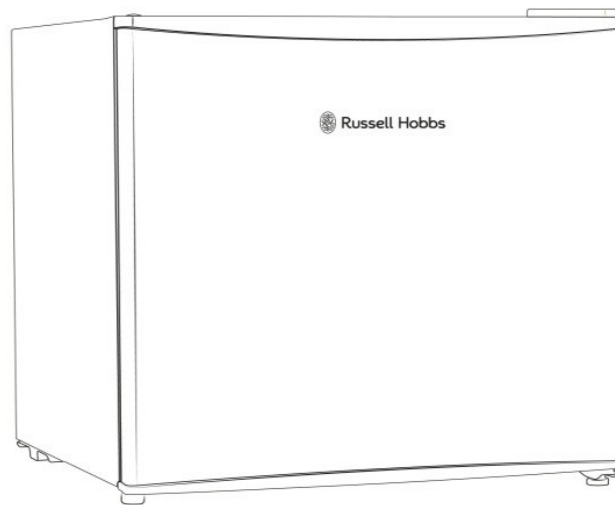
[Find Your Russell Hobbs Refrigerator Parts - Select From 31 Models](#)

----- Manual continues below -----



Russell Hobbs

FREESTANDING TABLE TOP LARDER FRIDGE USER'S GUIDE



**Model number:
RHTTLF1/RHTTLF1B**

For Customer Services & Spare Parts please call **0845 208 8750** Opening times: Monday - Friday 8am – 6pm & Saturday 9am – 1pm or visit us at www.productcareuk.com

**IMPORTANT: RETAIN FOR FUTURE
REFERENCE**

Page

BEFORE USING THE APPLIANCE

Safety Instructions	2
Safety Instructions	3
Before Switching On	3
Installing and Switching on the Appliance	4
The Appliance and the Compartments	5
Usage Information	
Thermostat Setting	6
Cleaning and Maintenance	7
Important Notes	8
Product Specification	8
Connection to the Mains Supply	9
Transportation and Handling	10
Where to put your Appliance	10
Reversing the Door	11
Troubleshooting	12
Guarantee	13

For Customer Services & Spare Parts please call **0845 208 8750** Opening times: Monday - Friday 8am – 6pm & Saturday 9am – 1pm or visit us at www.productcareuk.com

BEFORE USING THE APPLIANCE

Safety Instructions

- The model contains R600a (the coolant, Isobutene), a natural refrigerant gas that is environmentally friendly but also combustible. When transporting and installing the unit, care must be taken to ensure that none of the refrigeration circuit components are damaged. In the event of damage avoid naked flames or ignition sources and ventilate the room in which the unit is placed for a few minutes. Contact a local service engineer.

Warning: Keep ventilation openings, in appliance enclosure or structure for building in, clear of obstruction.

- The appliance must not be placed or rested on the power cord.
- Do not use mechanical devices or other artificial means to accelerate the defrosting process.
- Do not use electrical appliances in the refrigerator compartment of the appliance.
- If this appliance is to replace an old refrigerator with a lock, break or remove the lock as a safety measure before storing it, to protect children while they play locking themselves inside.
- Old refrigerators and freezers contain insulation gases and refrigerant, they must be disposed of properly. Entrust the disposal of the scrap unit categorically to the competence of your local waste disposal service. Contact your local authority or your dealer if you have any questions. Please ensure that you do not damaged the scrap unit prior to being picked-up by the relevant waste disposal service.

Important Note: Please read this booklet before installing and switching on this appliance. The manufacturer assumes no responsibility for incorrect installation and usage as described in this booklet.

For Customer Services & Spare Parts please call **0845 208 8750** Opening times: Monday - Friday 8am – 6pm & Saturday 9am – 1pm or visit us at

www.productcareuk.com

Safety Instructions

Warning:

- This appliance can be used by children aged from 8 years and above and persons with reduced physical, sensory or mental capabilities or lack of experience and knowledge if they have been given supervision or instruction concerning use of the appliance in a safe way and understand the hazards involved. Children shall not play with the appliance.
- Do not use adaptors , multiple receptacles or extension leads.
- Do not plug in damaged plugs.
- Do not pull, twist or damage the power cable.
- Do not put the appliance or any other objects on the power cord.
- This appliance is designed for the use by adults, do not allow children to play with the appliance or let them hang over the door.
- Do not plug-in or un-plug the appliance with wet hands to prevent electrical shock.
- Do not place explosive or flammable material in your fridge for your own safety.
- Bottles containing a high percentage of alcohol must be sealed well and placed vertically in the refrigerator.
- Do not cover the body or the top of the appliance with lace. This affects the performance of your fridge.
- Fix down the accessories in the fridge during transportation to prevent damage to them.

Before Switching On:

- **Let the appliance rest for 4 hours before plugging into the main power to ensure proper performance.**
- **There can be an odour when you first switch on the appliance, this is normal and will disappear when the appliance starts to cool.**
- Before using your appliance, add a teaspoon of bicarbonate of soda to warm water and with a damp clothe wipe down all parts of the new appliance, then repeat the process with a clean damp clothe and dry. **(ENSURE THE APPLIANCE IS NOT CONNECTED TO THE POWER WHEN PERFORMING THIS TASK)**

For Customer Services & Spare Parts please call **0845 208 8750** Opening times: Monday - Friday 8am – 6pm & Saturday 9am – 1pm or visit us at

www.productcareuk.com

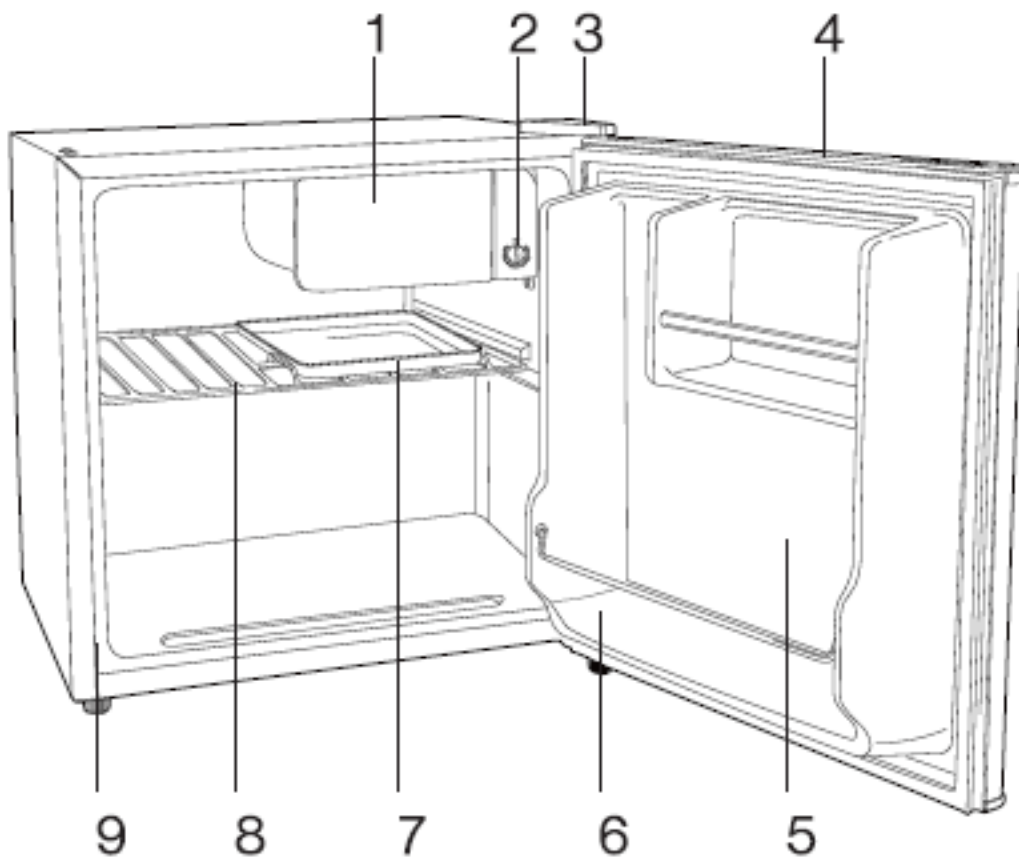
Installing and Switching on the Appliance

- Operating voltage for your fridge is 220-240V at 50Hz.
- If you need help or are unsure how to install the unit, please contact Customer Services on 0845 208 8750 or visit www.productcareuk.com.
- Before plugging in the power supply, ensure that the voltage on the nameplate corresponds to the working voltage of your electrical system in your home.
- Insert the plug into an efficient Ground (Earth) connection. If the socket has no Ground (Earth) contact or the plug does not match, we suggest you call an authorised electrician for assistance.
- We do not take responsibility of the damages that occur due to Ungrounded (Un-earthed) usage.
- Place your fridge in a place that is not exposed to direct sunlight.
- Your appliance should be placed at least 500 mm away from stoves, ovens and other heating cores.
- It should never be used outdoors or left in the rain.
- When your fridge is placed next to a chest freezer or freezer, there should be at least 50 mm between them to prevent humidity on the outer surface.
- Do not place anything on your fridge and install your fridge in a suitable place so that there is at least 300 mm clear above the appliance.
- If placing your fridge next to kitchen cabinets, leave 50 mm between them.
- The rear of the appliance should be at least 60 mm away from the back wall.
- The appliance must be used in the vertical position and on a flat surface. To level the appliance use the adjustable foot on the front of the appliance.
- Do not place your appliance on a carpeted surface as this will prevent adequate ventilation.
- Do not place hot food or containers in the fridge as this can damage your appliance.

For Customer Services & Spare Parts please call **0845 208 8750** Opening times: Monday - Friday 8am – 6pm & Saturday 9am – 1pm or visit us at

www.productcareuk.com

THE APPLIANCE AND THE COMPARTMENTS



- | | |
|-------------------------------|--------------------|
| 1. Ice-cube compartment | 6. Lower hinge |
| 2. Thermostat OFF 1 2 3 4 5 6 | 7. Drip tray |
| 3. Upper hinge | 8. Shelf |
| 4. Handle recess | 9. Adjustable foot |
| 5. Door shelves | |

Parts may vary according to the appliance model.

For Customer Services & Spare Parts please call **0845 208 8750** Opening times: Monday - Friday 8am – 6pm & Saturday 9am – 1pm or visit us at

www.productcareuk.com

USAGE INFORMATION

Thermostat Setting

- The thermostat automatically regulates the inside temperature of the refrigerator compartment. By rotating the knob from position « 1 » to « 6 », colder temperatures can be obtained. (1 being low and 6 being high)
- « OFF » position shows thermostat is closed and no cooling is available.
- For short-term storage of food in the refrigerator compartment, you can set the knob between minimum and medium position.(1-4)
- For long-term storage of food in the refrigerator compartment, you can set knob to medium position.(4-6)
- **Note that: the ambient temperature, (the temperature of the freshly stored food and how often the door is opened) affects the temperature in the refrigerator compartment. If required, change the temperature setting.**
- When you first switch on the appliance, for starting suitable cooling, the appliance should work 24 hours continuously until it cools down to sufficient temperature.
- During this time do not open the door frequently or place a lot of food inside the appliance.
- If the unit is switched off or unplugged, you must allow at least 5 minutes before restarting or re-plugged the unit in order not to damage the compressor.

Your fridge is designed to operate in the ambient temperature intervals stated in the associated standards, according to the climate class stated on the information label. We do not recommend operating your fridge out of stated temperatures, value limits in terms of cooling effectiveness.

<u>Climate Class</u>	<u>Ambient Temperature °C</u>
N	Between 16 and 32 °C
ST	Between 16 and 38 °C

For Customer Services & Spare Parts please call **0845 208 8750** Opening times: Monday - Friday 8am – 6pm & Saturday 9am – 1pm or visit us at

www.productcareuk.com

CLEANING AND MAINTENANCE

- Disconnect the appliance from the power supply before cleaning.
- Do not pour water directly over or on the appliance.
- The refrigerator compartment should be cleaned periodically using a solution of bicarbonate of soda and lukewarm water.
- Do not use abrasive products, detergents or soaps. After cleaning wipe down with a damp clean cloth.
- **Note:** Reconnect to the power after you have dried your hands.

For Customer Services & Spare Parts please call **0845 208 8750** Opening times: Monday - Friday 8am – 6pm & Saturday 9am – 1pm or visit us at

www.productcareuk.com

IMPORTANT NOTES:

The cooling gas which circulates in the refrigerator circuit may make a slight noise (bubbling sound) even when the compressor is not running. This is quite normal. If these sounds are different check that ;

- The appliance is level.
- Nothing is touching the rear of the appliance.

If the problem persists after you have followed all the instructions above, please consult Product Care on 0845 208 8750.

- Compressor protection function will be activated after sudden power breakdowns or after unplugging the appliance, because the gas in the cooling system will not have stabilized sufficiently. Your fridge will start after a short period of time, this is quite normal.
- If you do not use your appliance for a long period of time (e.g. in summer holidays) unplug it. Clean and leave the door open to prevent humidity and bad odours.

Product Specification

- Energy efficiency performance rating: A+
- Energy consumption: 110kWh/year
- Net Fridge Capacity: 45 Litre / 1.59 cubic feet
- Noise level: 45dB
- Compartments, racks & shelving:
 - 2 Fixed door racks
 - 1 Removable wire shelf
- Reversible Door
- Adjustable thermostat
- Adjustable foot
- Dimensions (CMs): (H)49.2 x (W)47.2 x (D)45.0

Voltage: 220 – 240V

Frequency: 50Hz

For Customer Services & Spare Parts please call **0845 208 8750** Opening times: Monday - Friday 8am – 6pm & Saturday 9am – 1pm or visit us at

www.productcareuk.com

Connection to the mains supply

For UK use only – Plug fitting details (where applicable):

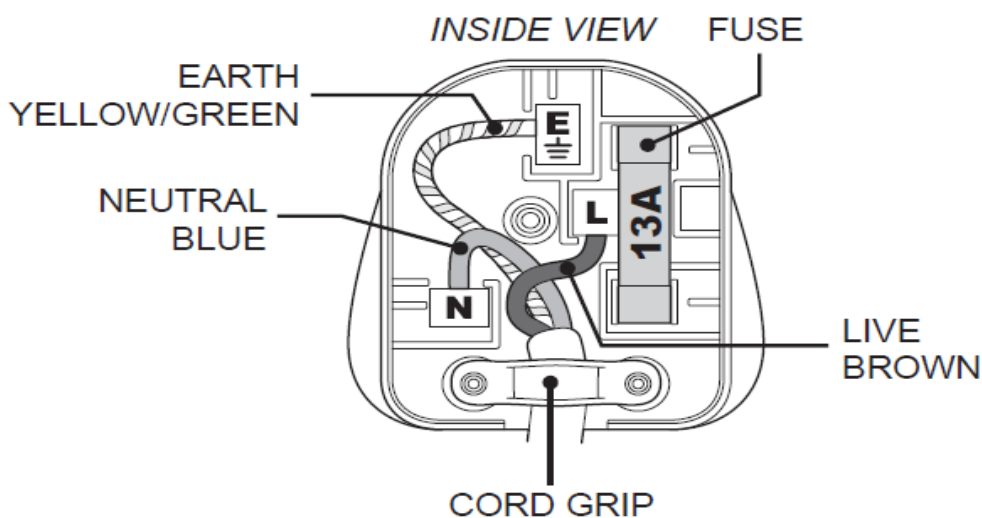
As the colours of the wires in the mains lead of this appliance may not correspond with the coloured markings identifying the terminals in your plug, proceed as follows:

The GREEN/YELLOW wire is the EARTH and must be connected to the terminal which is marked with the letter E or by the earth symbol or coloured GREEN or GREEN/YELLOW.

The BLUE wire is the NEUTRAL and must be connected to the terminal marked with the letter N or coloured BLACK. The BROWN wire is the LIVE wire and must be connected to the terminal marked with the letter L or coloured RED.

Always ensure that the plug cord grip is fastened correctly.

If a 13A (BS1363) fused plug is used it must be fitted with a 13amp fuse conforming to BS1362 and be BSI or ASTA approved.



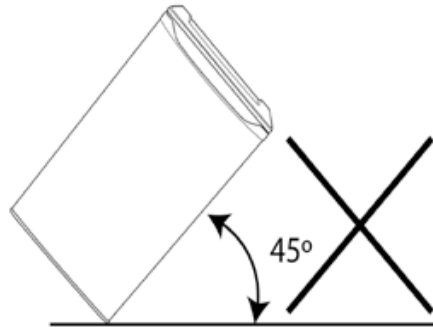
For Customer Services & Spare Parts please call **0845 208 8750** Opening times: Monday - Friday 8am – 6pm & Saturday 9am – 1pm or visit us at

www.productcareuk.com

Transportation and Handling

For safe lifting, tilt the appliance backwards by no more than 45 degrees, hold the base and rear corners of cabinet. Lift the refrigerator carefully. Never use the door handles for lifting. To move the refrigerator on a flat level surface, tilt it slightly backwards onto the two rear moulded feet and push backwards.

This unit is heavy and could cause injury – We recommend 2 person handling



*DIAGRAM USED FOR ILLUSTRATION PURPOSES ONLY. IT MAY DIFFER FROM THE PURCHASED APPLIANCE.

Where to put your refrigerator

This appliance should only be placed on a flat, firm surface.

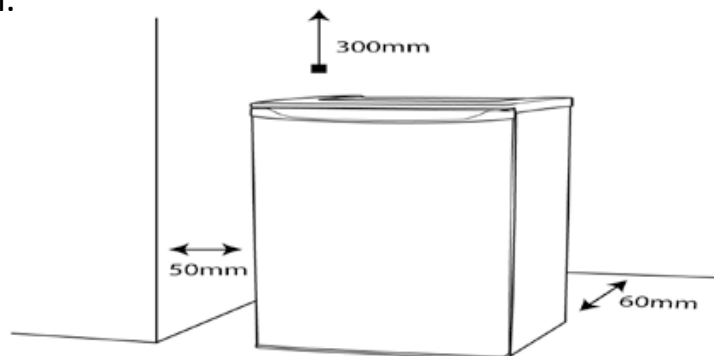
Do not place your appliance on a carpeted surface as this will prevent adequate ventilation.

Choose a dry and well-ventilated space. No less than 50mm must be left around the sides to allow efficient cooling.

Choose a location away from a heat source, e.g. direct sunlight, a radiator or oven.

The appliance should be positioned so that the plug is easily accessible.

Do not place your appliance on a carpeted surface as this will prevent adequate ventilation.



For Customer Services & Spare Parts please call **0845 208 8750** Opening times: Monday - Friday 8am – 6pm & Saturday 9am – 1pm or visit us at

www.productcareuk.com

Reversing the door



Remove the top plastic hinge cover and set aside.



Unscrew the two screws from the metal bracket and set aside.



Remove the three plastic inserts on the opposite side of the fridge and door. Now fix the top door bracket to this side using the screws that was previously removed. Replace the plastic hinge cover.



Remove the adjustable foot at the bottom of the fridge and set aside.



Unscrew the two screws holding the bottom door hinge and carefully moving it across to the opposite side and fix into position. Care must be taken as the door will be loose. Once this has been completed screw in the adjustable foot to the opposite side of the fridge.

For Customer Services & Spare Parts please call **0845 208 8750** Opening times: Monday - Friday 8am – 6pm & Saturday 9am – 1pm or visit us at

www.productcareuk.com

Troubleshooting

Problem

Solution

The fridge / freezer doesn't work.

- Check that the appliance is switch on.
- Check that there has not been a power cut.
- Check that the plug is faulty.
- Check that the fuse has not blown.
- Check that the voltage is correct for the appliance.

The temperature inside the appliance is not cold enough.

- Check that there is not too much food in the appliance.
- Check that the thermostat is set to a suitable temperature.
- Check that the appliance is not placed in direct sunlight, or too near to a heating source.
- Check that the ambient temperature is within the operation limits of the appliance.
- Opening the doors frequently will also reduce the temperature within the fridge.

The temperature within the appliance is too cold.

- Reduce the working temperature by adjusting the thermostat to a lower setting.

The inner surfaces of the appliance are

- Caused by condensation - dry the inside of the appliance.

The outer surfaces of the appliance are wet.

- Caused by condensation - dry the outer of the appliance carefully.

Excess ice or frost has built up inside the appliance.

- Check that the door has not been left open.
- Check that the door gasket is clean and undamaged.

Unusual noises

- Check that the appliance is on a flat, level surface and is stable.
- Check the spacing's around the appliance(not touching other items).

For Customer Services & Spare Parts please call **0845 208 8750** Opening times: Monday - Friday 8am – 6pm & Saturday 9am – 1pm or visit us at

www.productcareuk.com

Warranty

This product is guaranteed for 12 months from the date of the original purchase. If any defect arises due to faulty materials or workmanship the faulty product must be returned to the place of purchase.

Refund or replacement is at the discretion of the retailer.

The following conditions apply:

- The product must be returned to the retailer with the original proof of purchase.
- The product must be installed and used in accordance with the instructions contained in this instruction guide and any other instructions for use which has been supplied.
- It must be used for domestic purposes only and for its intended use.
- This warranty does not cover wear and tear, damage, misuse or consumable parts.

This does not affect your statutory rights.

Produced for:

G2S Limited

Unit 12, Lodge Bank Industrial Estate

Horwich

BL6 5HY

For Customer Services & Spare Parts please call **0845 208 8750** Opening times: Monday - Friday 8am – 6pm & Saturday 9am – 1pm or visit us at

www.productcareuk.com

For Customer Services &
Spare Parts please call

0845 208 8750

Opening times:

Monday – Friday

8am – 6pm

&

Saturday

9am – 1pm or visit us at

www.productcareuk.com

Revision 1



This symbol is known as the 'Crossed-out wheellie bin Symbol'. When this symbol is marked on a product/batteries, it means that the product/batteries should not be disposed of with your general household waste. Only discard electrical/electronic/battery items in separate collection schemes, which cater for the recovery and recycling of materials contained within. Your co-operation is vital to make sure the success of these schemes and for the protection of the environment. For your nearest disposal facility, visit www.recycle-more.co.uk or ask in store for details.

We reserve the right due to possible changes to design to alter the instruction manual without prior notice.