

This Owner's Manual is provided and hosted by [Appliance Factory Parts](#).



# Grand Turbo B3808ANG Owner's Manual

[Shop genuine replacement parts for Grand Turbo  
B3808ANG](#)



[Find Your Grand Turbo Grill Parts - Select From 31 Models](#)

----- Manual continues below -----



America's Barbecue Grill Superstores



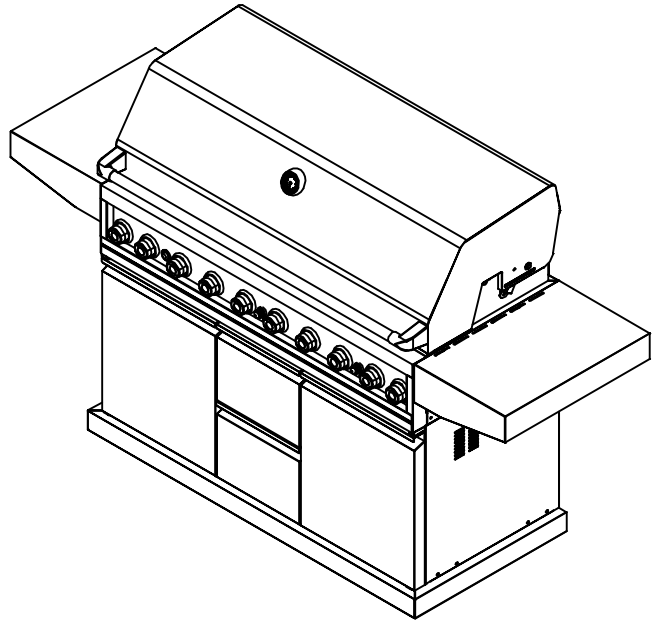
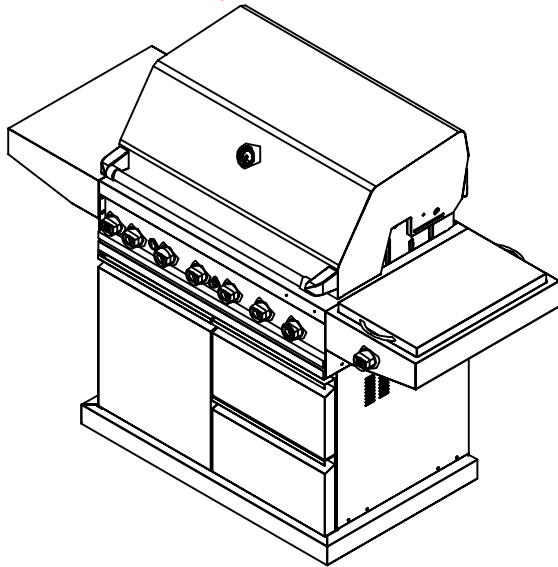
# Owner's Manual

## Liquid Propane Gas Grill

MODEL B3808ALP,BAI08ALP

## Natural Gas Grill

MODEL B3808ANG,BAI08ANG



**WARNING:** All barbecues and carts are designed for outdoor use only!  
All barbecues are not intended for commercial use.

Read this Owner's Manual carefully and be sure your gas grill is properly assembled, installed and maintained. Failure to follow these instructions could result in serious bodily injury and/or property damage. This gas grill is intended for outdoor use only and is not intended to be installed in or on recreational vehicles or boats.

**Note to Installer:** Leave this Owner's Manual with the consumer after delivery and/or installation.

**Note to Consumer:** Leave this Operator's Manual in a convenient place for future reference.



Design Certified  
Unit approved by  
CSA Laboratories under standard  
ANSI Z21.58-2007/CSA1.6-2007

### **DANGER**

#### IF YOU SMELL GAS:

1. Shut off gas to the appliance.
2. Extinguish any open flame.
3. Open lid.
4. If odor continues, keep away from the appliance and immediately call your gas supplier or your fire department.

Leaking gas may cause a fire or explosion which could result in property damage, personal injury or death.

### **WARNING**

1. Do not store or use gasoline or other flammable liquids or vapors in the vicinity of this or any other appliances.
2. An LP cylinder not connected for use shall not be stored in the vicinity of this or any other appliance.

Customer Service Helpline: If you have questions about assembly or grill operation, or if there are damaged or missing parts when you unpack this unit from the shipping box, call us Monday through Friday at 1-800-752-3085

## Table of Contents

Warranty	1
Safety Instructions	1-3
Instructions Before Using Your Grill	3-6
Outdoor BBQ Built-in Installation Specifications	6-8
Parts Diagram and Lists	9-16
Cart & Barbecue Assembly	17-23
Assembly Instructions	24
Operating Fuel Gauge	19-24
Checking For Gas Leaks	24
Lighting Instructions	24-31
Cleaning and Maintenance Instructions	32
Frequently Asked Questions	33
Cooking Instructions	33
Cooking Guides and Recipes	34-46
Rotisserie motor	47-50

### **Barbeques Galore Limited Warranty**

Barbeques Galore hereby warrants to the ORIGINAL PURCHASER of this Barbeques Galore Gas Barbecue that it will be free of defects in material and workmanship from the date of purchase as follows:

- Burners & Cooking Grids ..... 3 years
- Stainless Steel Parts ..... 2 years
- All other Grill Parts ..... Lifetime of Grill

Note: Flame Tamers and Igniter Battery are not warrantied

...when assembled and operated in accordance with the printed instructions that accompany it.

High cooking temperatures, excessive humidity, chlorine, fertilizers, lawn pesticides and salt can affect the Stainless Steel components and for these reasons, the limited warranties DO NOT COVER DISCOLORATION OR RUST, unless there is a loss of structural integrity on the grill component.

Barbeques Galore shall not be liable under this or any implied warranty for incidental or consequential damages and Barbeques Galore's liability is limited to the purchase price of this barbecue. This warranty gives you specific legal rights, and you may also have other rights which vary from state to state. This warranty is applicable in the United States and Canada. No one else is authorized to perform any obligations under this warranty.

Barbeques Galore requires reasonable proof of your date of purchase. THEREFORE YOU SHOULD RETAIN YOUR SALES SLIP OR INVOICE AND RETURN THE BARBEQUES GALORE PRODUCT REGISTRATION CARD IMMEDIATELY.

This limited warranty shall be limited to the repair or replacement of parts which prove defective under normal use and service and which on examination shall indicate to Barbeques Galore's satisfaction they are defective. Before returning any parts to Barbeques Galore, contact our **Customer Service Center** at (800) 752-3085 or email us at [customerservice@bbqgalore.com](mailto:customerservice@bbqgalore.com)

If Barbeques Galore confirms the defect and approves the claim, Barbeques Galore will elect to repair or replace such part without charge. Parts returned to Barbeques Galore must be sent freight prepaid to Barbeques Galore, Inc. Customer service center 3001 E. Pioneer Parkway, Arlington, TX. 76011 or to the nearest Barbeques Galore Store. Barbeques Galore will return parts to the purchaser freight or postage prepaid.

The LP tank manufacturer is solely responsible for the materials, workmanship and performance of the tank. If the tank has a defect, malfunctions, or you have questions regarding the tank, call the tank manufacturer's customer service center. The phone number is on the warning decal which is permanently attached to the tank. If the tank manufacturer has not resolved the issue to your satisfaction, then call the Barbeques Galore store nearest you.

Model Number \_\_\_\_\_ Serial Number \_\_\_\_\_

Date of Purchase \_\_\_\_\_ Purchase From \_\_\_\_\_

#### **Warranty Restrictions**

**Converting these barbecues to Propane or Natural Gas requires the use of the appropriate Grand Turbo Conversion kit that must be installed by a Barbeques Galore technician or licensed plumber. Failure to follow these instructions will void the Product Warranty and may cause fire or serious bodily injury.**

#### **Gas Pressure**

The Propane Gas Grills (Model B3808ALP,BAI08ALP) are designed to operate on propane at a gas pressure regulated at 11" water column (W.C.) when equipped with the correct Propane Orifices on the valves and a **Propane regulator** on the supply line.

The Natural Gas Grills (Model B3808ANG,BAI08ANG) are designed to operate on Natural Gas at a gas pressure regulated at 4" water column (W.C.) when equipped with the correct Natural Gas Orifice on the valves and a **Natural Gas Regulator** on the supply line.

This warranty applies only when the grill is used in the United States, Canada & Australia.

This warranty gives you specific legal rights, and you may also have other rights which vary from state to state.

## READ THESE SAFETY INSTRUCTIONS

### **⚠ WARNING**

Fuels used in gas or oil-fired appliances and the products of combustion of such fuels, contain chemicals known to the State of California to cause cancer, birth defects and/ or other reproductive harm.

This warning is issued pursuant to California Health & Safety Code Sec. 25249.6.

### **⚠ WARNING**

Failure to comply with these instructions could result in a fire or explosion that could cause serious bodily injury, death, or property damage.

### **⚠ WARNING**

**Your grill will get very hot.** Never lean over the cooking area while using your grill. Do not touch cooking surfaces, grill housing, grill lid or any other grill parts while the grill is in operation, or until the grill has cooled down after use. **Failure to comply with these instructions may result in serious bodily injury.**

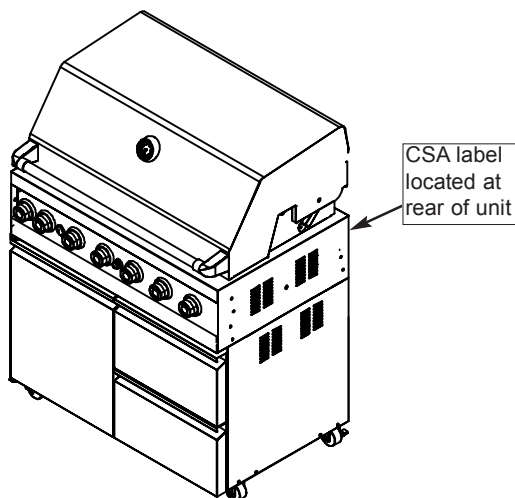
## Grill Installation Codes

This gas grill must be installed in accordance with all local codes. In areas without local codes, follow the latest edition of the National Fuel Gas Code ANSI Z223.1. In Canada, installation must conform to standard CAN/CSA 1b149.1 or 1-b149. 2 (Installation Code for Gas Burning Appliances and Equipment) and all local codes.

## Proper Placement and Clearance of Grill

**Never** use your gas grill in a garage, porch, shed, breeze breeze way or any other enclosed area. Your gas grill is to be used **outdoors only, at least 36 inches from the back and 36 inches to the side of any combustible surface.** Your gas grill should not be placed under any surface that will burn. Do not obstruct the flow of ventilation air around the gas grill housing.

**This outdoor gas grill is not intended to be installed in or on recreational vehicles and/or boats.**



## PROPANE MODELS:

### **Correct LP Gas Tank Use**

LP gas grill models are designed for use with a standard 20 lb. Liquid Propane Gas (LP gas) tank, not included with grill box. **Never** connect your gas grill to an LP gas tank that exceeds this capacity. A tank of approximately 12 inches in diameter by 18-1/2 inches high is the maximum size LP gas tank to use. A Propane tank with an OPD (Overfill Prevention Device) must be used. This safety feature prevents the tank from being over-filled which can cause malfunction of the LP gas tank, regulator and/or grill.

The LP gas tank must be constructed and marked in accordance with specifications of the U.S. Dpt. of Transportation (DOT). In Canada, the LP gas tank must meet the Canadian Transportation and Communications (CTC) specifications. Also be sure to read and follow all LP instructions on the following page.

**If the outdoor cooking gas appliance is not in use, the gas must be turned off at the supply cylinder.**

- (a) **Do not store a spare LP-gas cylinder under or near this appliance;**
- (b) **Never fill the cylinder beyond 80 percent full; and**
- (c) **If the information in (a) and (b) is not followed exactly, a fire causing death or serious injury may occur.**

1. The LP gas tank has a shutoff valve, terminating in an LP gas supply tank valve outlet, that is compatible with a Type 1 tank connection device. The LP gas tank must also have a safety relief device that has a direct communication with the vapor space of the tank.
  2. The tank supply system must be arranged for vapor withdrawal.
  3. The LP gas tank used must have a collar to protect the tank valve.
- **Never** connect an unregulated LP gas tank to your gas grill. The gas regulator assembly supplied with your gas grill is adjusted to have an outlet pressure of 11" water column (W.C.) for connection to an LP gas tank.
  - Only use the regulator and hose assembly supplied with your gas grill. Replacement regulators and hose assemblies must be those specified by manufacture.
  - Have your LP gas tank filled by a reputable propane gas dealer and visually inspected and re-qualified at each filling.
  - **Never** fill the gas tank beyond 80% full. Have your propane gas dealer check the release valve after every filling to ensure that it remains free of defects.
  - Always keep LP gas tanks in an upright position.
  - Do not store (or use) gasoline or other flammable vapors and liquids in the vicinity of this gas grill.
  - An LP gas tank that is not connected for use must NOT be stored on bottom shelf or in the vicinity of this or any other gas grill.
  - Do not subject the LP gas tank to excessive heat.
  - **Never** store an LP gas tank indoors. If you store your

gas grill in the garage or other indoor location, always disconnect the LP gas tank first and store it safely outside and out of reach of children.

- LP gas tanks must be stored outdoors in a well-ventilated area. Disconnected LP gas tanks must not be stored in a building, garage or any other enclosed area.
- When your gas grill is not in use the gas must be turned off at the LP gas tank.
- The regulator and hose assembly must be inspected before each use of the grill. If there is excessive abrasion or wear or if the hose is cut, it must be replaced prior to the grill being used again.
- Keep the gas regulator hose away from hot grill surfaces and dripping grease. Avoid unnecessary twisting of hose. Visually inspect hose prior to each use for cuts, cracks, excessive wear or other damage. If the hose appears damaged do not use the gas grill. Call our service center at **1-800-752-3085**
- **Never** light your gas grill with the lid closed or before checking to insure the burner tubes are fully seated over the gas valve orifices.
- **Never** allow children to operate your grill. Do not allow children to play near your grill.

**⚠ WARNING**

A strong gas smell, or the hissing sound of gas indicates a serious problem with your gas grill or the LP gas tank. Failure to immediately follow the steps listed below could result in a fire or explosion that could cause serious bodily injury, death, or property damage.

- Shut off gas supply to the grill.
- Turn the Control Knobs to the **OFF** position.
- Open grill lid.
- Get away from the LP gas tank.
- Do not try to fix the problem yourself..
- If odor continues or you have a fire you cannot extinguish, call your fire department.

Do not call near the LP gas tank because your telephone is an electrical device and could create a spark resulting in fire and/or explosion.

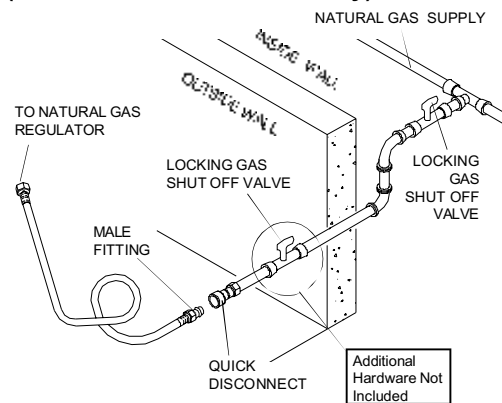
**NOTE:** The normal flow of gas through the regulator and hose assembly can create a humming noise. A low volume of noise is perfectly normal and will not interfere with operation of the grill. If humming noise is loud and excessive you may need to purge air from the gas line or reset the regulator excess gas flow device. This purging procedure should be done every time a new LP gas tank is connected to your grill. For help call the Customer Service Helpline for assistance.

**Natural Gas Safety Instructions**

- Your Natural Gas Grill is designed to operate on Natural Gas only, at a pressure of 4" water column (W.C.) (1/4 psig or 1.75 kpa), regulated at the residential meter. Check with your gas utility company for local gas pressure and with your local municipality for building code requirements. If your residential gas line pressure has not been regulated to 4" W.C., contact your local gas utility company for professional assistance.
- The gas pressure Regulator supplied with this appliance must be used. This Regulator is set for an outlet pressure of 4" W.C.
- It is recommended that a Shut Off Valve be installed at the gas supply source outdoors. Install at a point after the gas pipe exits the outside wall and before the Quick Disconnect Hose, or install it at the point before the gas line piping enters the ground. See **Figure 1**
- Pipe sealing compound or pipe thread tape resistant to the action of Natural Gas must be used on all male pipe threads when making the connection.
- Disconnect your gas grill from fuel source when the gas supply is being tested at high pressures. This gas grill and its individual Shut Off Valve must be disconnected from the gas supply pipe system during any pressure testing of that system at pressure in excess of 1/2 psi (3.5kpa).
- Turn off your gas grill when the gas supply is tested at low pressures. The grill must be isolated from the gas supply pipe system by closing its individual Manual Shut Off Valve during any pressure testing of the gas supply pipe system at pressures equal to or less than 1/2 psi (3.5kpa).
- The Quick Disconnect connects to a 3/8 inch NPT thread from gas source. The Quick Disconnect fitting is a hand operated device that automatically shuts off the flow of gas from the source when it is disconnected.

**Figure 1**

**(For Natural Gas Model Only)**



- The Quick Disconnect fitting can be installed horizontally, or pointing downward. DO NOT install the fitting with the opening pointing upward because the fitting could collect water and debris.
- The Dust Covers (plastic plugs) provided with the Quick Disconnect help keep the open ends clean while disconnected.
- The outdoor connector must be firmly attached to a ridged permanent construction.
- The Quick Disconnect MUST BE installed above ground.
- **WARNING:** Do not route the 10 foot Quick Disconnect Hose under a deck. The hose must be visible and inspected prior to each grill use.

#### Gas Line Piping

If the length of line required does not exceed 50 feet, use a 5/8" O.D. tube. One size larger should be used for lengths greater than 50 feet.

Gas piping may be copper tubing, type K or L; polyethylene plastic tube, with a minimum wall thickness of .062 inch; or standard weight (schedule 40) steel or wrought iron pipe.

Copper tubing must be tin-lined if the gas contains more than 0.3 grams of hydrogen sulfide per 100 cubic feet of gas.

Plastic tubing is suitable only for outdoor, underground use.

Gas piping in contact with earth, or any other material which may corrode the piping, must be protected against corrosion in an approved manner.

Underground piping must have a minimum of 18" cover.

#### Test Connections

All connections and joints must be thoroughly tested for leaks in accordance with local codes and all listed procedures in the latest edition of **ANSI Z21.58-2007/CSA 1.6-2007**

#### **⚠ DANGER**

**Do not use an open flame to check for gas leaks. Be sure there are no sparks or open flames in the area while you check for gas leaks. This will result in a fire or explosion which can cause serious bodily injury or death, and damage to property.**



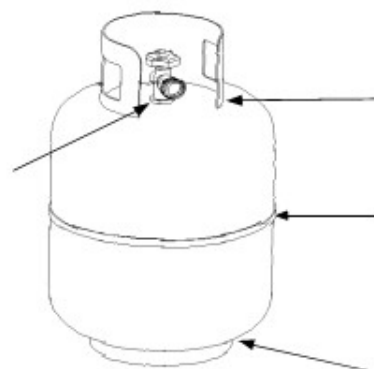
## WARNING



- This appliance, when installed, must be electrically grounded in accordance with local codes or, in the absence of local codes, with the *National Electrical Code, ANSI/NFPA 70*, or the *Canadian Electrical Code, CSA C22.1*.
- Keep any electrical supply cord and the fuel supply hose away from any heated surfaces.

## Propane Gas Safety Instructions

- All leak tests must be repeated each time your LP Gas tank is exchanged or refilled.
- When checking for gas leaks do not smoke.
- Do not use an open flame to check for gas leaks.
- Your grill must be leak tested outdoors in a well-ventilated area, away from ignition sources such as gas fired or electrical appliances. During the leak test, keep your grill away from open flames or sparks.
- Do not use household cleaning agents. Damage to gas assembly components can result.
  - Use a clean paintbrush and a 50/50 mild soap and water solution.
  - Brush soapy solution onto LP Gas tank in the areas indicated by the arrows. See diagram.
  - If growing bubbles appear do not use or move the LP Gas tank. Call an LP Gas Supplier or your Fire Department.



## WARNING

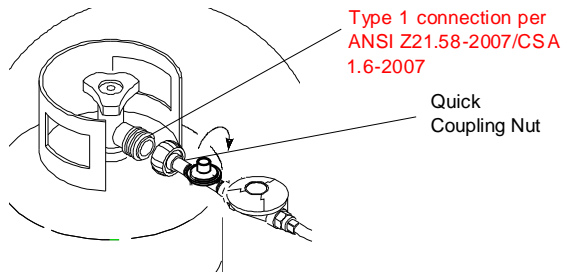


If growing bubbles appear do not use or move the LP Gas tank. Contact an LP Gas Supplier or your fire department!

#### LP Gas Model only:

#### Connect Regulator with Hose to your LP Gas Tank

- Turn all Burner Valves to the OFF position.
- Inspect the valve connection port and regulator assembly for damage or debris. Remove any debris. Never use damaged or plugged equipment.
- Connect the regulator assembly to the tank valve and **HAND TIGHTEN** nut clockwise to a full stop. **DO NOT** use a wrench to tighten because it could damage the Quick Coupling Nut and result in a hazardous condition.
- Open the tank valve 1/4 to 1/2 of a turn (counterclockwise) and use a soapy water solution to check all connections for leaks before attempting to light your grill. See "Checking for LP Gas Leaks". If a leak is found, turn the tank valve off and do not use your grill until the leak is repaired.

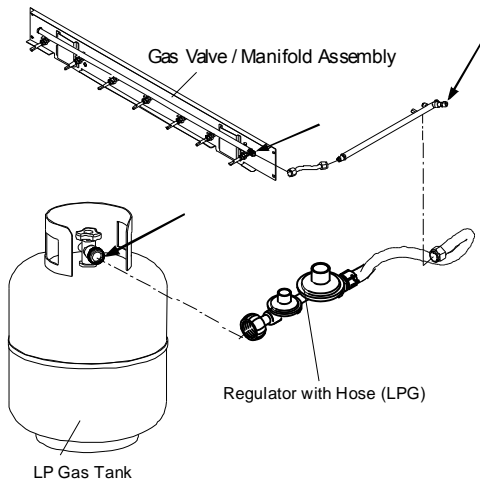


**CAUTION:** When the appliance is not in use the gas must be turned off at the tank.

**Check all connections for LP Gas Leaks**

**Never** test for leaks with a flame. Prior to first use, at the beginning of each season, or every time your LP Gas tank is changed, you must check for gas leaks. Follow these three steps:

- Make a soap solution by mixing one part liquid detergent and one part water.
- Turn the grill Control Knobs to the full OFF position, then turn the gas ON at source.
- Apply the soap solution to all gas connections indicated by the arrows. See diagram. If bubbles appear in the soap solution the connections are not properly sealed. Check each fitting and tighten or repair as necessary.



WARNING

If you have a gas leak that cannot be repaired by tightening, turn off the gas at the source, disconnect fuel line from your grill and call 1-800-752-3085 or your gas supplier for repair assistance.

**Disconnecting A Liquid Propane Gas (LPG) Tank From Your Grill**

- Make sure the Burner Valves and LP Gas tank valve are off. (Turn clockwise to close.)
- Detach the hose and regulator assembly from the LP Gas tank valve by turning the Quick Coupling Nut counterclockwise.

**Built-in Units Utilizing Natural Gas**

When connecting a built-in unit to the natural gas supply in your home, please ensure the pipe joint compound is resistant to the action of natural gas. In addition, please observe the following:

The barbecue and its individual shut-off valve must be disconnected from the gas supply piping system during any pressure testing of that system at test pressures in **excess** of 1/2 psi (3.5 kPa).

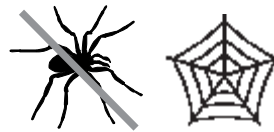
The barbecue must be isolated from the gas supply piping system by closing its individual manual shut-off valve during any pressure testing of the gas supply piping system at test pressures **equal to or less than** 1/2 psi (3.5 kPa)

The units are supplied from the factory equipped for use with natural gas and includes a natural gas regulator. If operation with propane gas is desired, you **must purchase a Propane Model**. In addition, a **Propane Gas Regulator MUST** be installed in the gas supply line from the propane gas tank.

Please remember to check all gas connections for leaks after the piping is completed. Follow the procedure under the heading "**CAUTION: LEAK CHECKING.**"

**▲ CAUTION: BEWARE OF FLASHBACK**

**CAUTION:** Spiders and small insects occasionally spin webs or make nests in the grill burner tubes during transit and warehousing. These webs can lead to a gas flow obstruction which could result in a fire in and around the burner tubes.



This type of fire is known as a "FLASHBACK" and can cause serious damage to your grill and create an unsafe operating condition for the user.

Although an obstructed burner tube is not the only cause of "FLASHBACK", it is the most common cause.

To reduce the chance of "FLASHBACK", you must clean the burner tubes before assembling your grill, and at least once a month in late summer or early fall when spiders are most active. Also perform this burner tube cleaning procedure if your grill has not been used for an extended period of time.

**BEFORE USING YOUR GRILL**

To reduce the chance of "FLASHBACK" clean the burner tubes and burners **before** fully assembling your grill. Unscrew the bolt at the rear of the burner using a screwdriver. Carefully lift each burner up and away from the gas valve orifice, then refer to **Fig2** and perform one of these three cleaning methods:

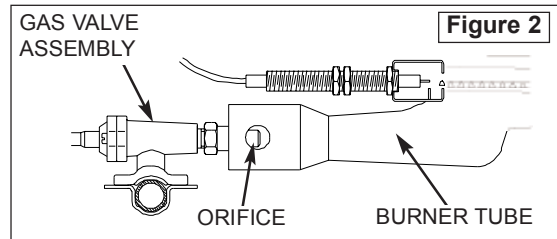
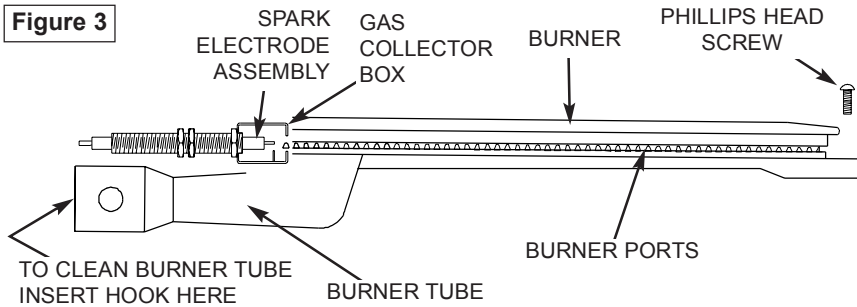
1. Bend a stiff wire, (a lightweight coat hanger works well) into a small hook as shown below. Run the hook through the burner tube and inside the burner several times to remove any debris.

- Use a bottle brush with a flexible handle. Run the brush through the burner tube and inside the burner several times, removing any debris.



- Preferably, an air hose should be used to force air through each burner tube. The forced air should pass debris or obstructions through the burner and out the ports.

**Figure 3**



**Figure 2**

**WARNING**

The location of the burner tube with respect to the orifice is vital for safe operation. Check to ensure the orifice is inside of the burner tube before using your gas grill (**Figure 2**). If the burner tube does not fit over the valve orifice, lighting the burner may cause explosion and/or fire.

**Rear Trim:**

52" BBQ uses 4 bolts

38" BBQ uses 3 bolts and Wok uses 2 bolts

**Outdoor BBQ Built-in Installation Specifications**

Prior to installing unit, side and rear trims must be installed to fully support the unit.

**Built-in Trim Kit Installation:**

Carefully remove the stainless steel trim pieces from the carton and attach Left, Right & Rear stainless trims to left, right & rear sides of barbecue using nuts & bolts as shown in Figure 4. Check to make sure they are aligned flush with the side barbecue face and top before fully tightening the bolts.

**NOTE:** When choosing a location for your Gas grill, keep in mind that it should not be located under any overhead combustible construction. The side and bottom of the grill should not be any closer than 18 inches to combustible construction, and the back of the grill should not be any closer than 24 inches to combustible construction.

**Models B3808ANG/LP**

**Rear Trim:**

(A) - (3x) 1/4" x 1/2" Pan Head with Cross Recess Bolt

**Left & Right Trim:**

(A) - (12x) 1/4" x 1/2" Pan Head with Cross Recess Bolt

(B) - (4x) 1/4" Funt Nut

**Models BAI08A NG/LP**

**Rear Trim:**

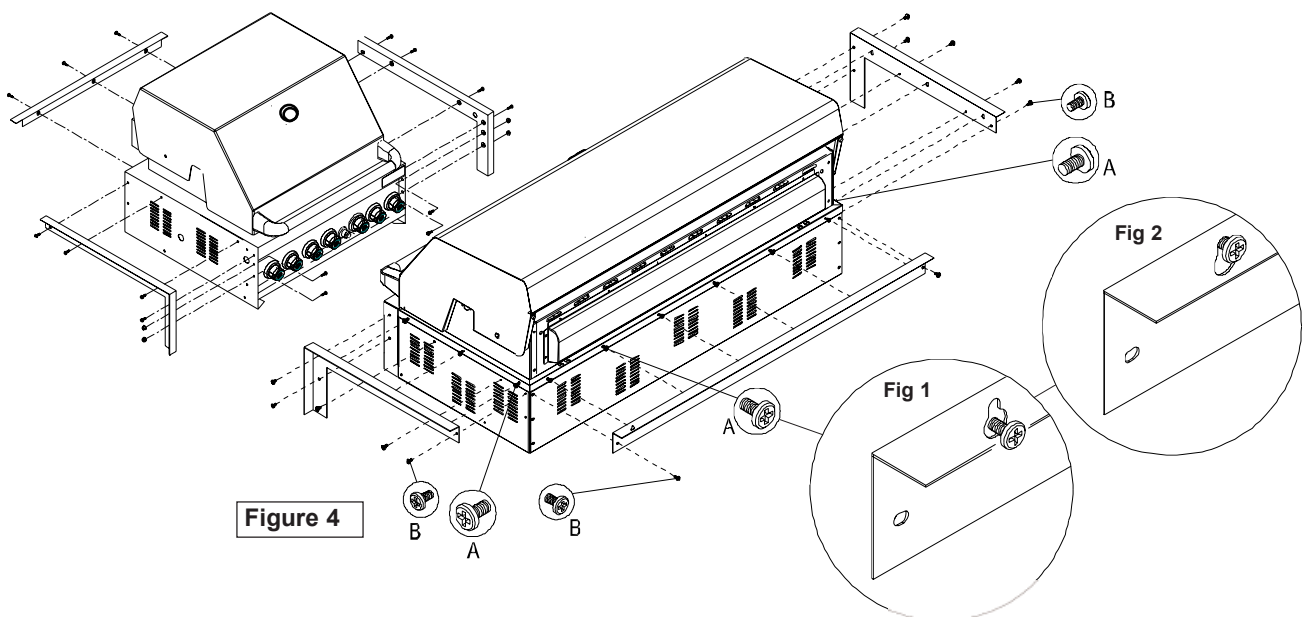
(A) - (6x) 3/16" x 1/2" Pan Head with Cross Recess Bolt

(B) - (2x) 1/4" x 1/2" Pan Head with Cross Recess Bolt

**Left & Right Trim:**

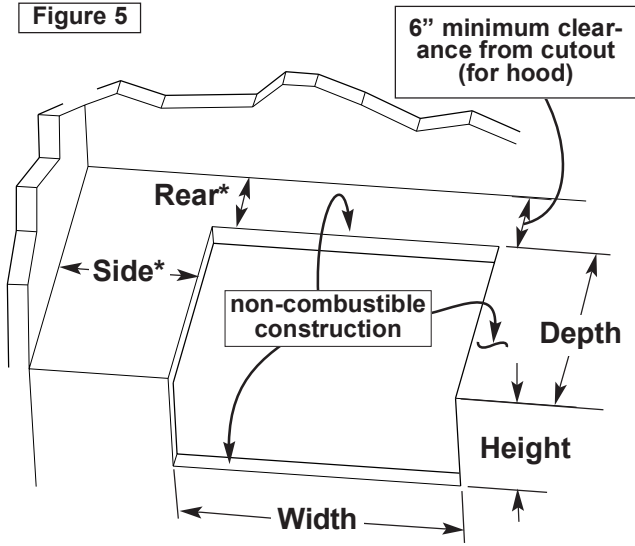
(A) - (6x) 3/16" x 1/2" Pan Head with Cross Recess Bolt

(B) - (10x) 1/4" x 1/2" Pan Head with Cross Recess Bolt



**Figure 4**

Figure 5



**Built-in Model Cutout Dimensions & Clearance to Combustibles**

Model	Height	Width	Depth	Side*	Rear*
B3808A	10"	38-3/4"	24-1/2"	14"	24"
BAI08A	10"	52-3/4"	24-1/2"	24"	24"

\* Rear & Side Clearances indicated are to combustible construction

**⚠ WARNING**

Vapors from products containing Chlorine and other caustic chemicals can cause Stainless Steel flexible connectors to corrode. THESE PRODUCTS SHOULD NOT BE STORED IN AN ISLAND OR NEAR THE connector. Cleaning solutions, Household Chemicals and Solder fluxes can also cause pinholes if they come in contact with these connectors and **MUST** be washed off immediately with water.

**Built-in Units Utilizing Liquid Propane Gas**

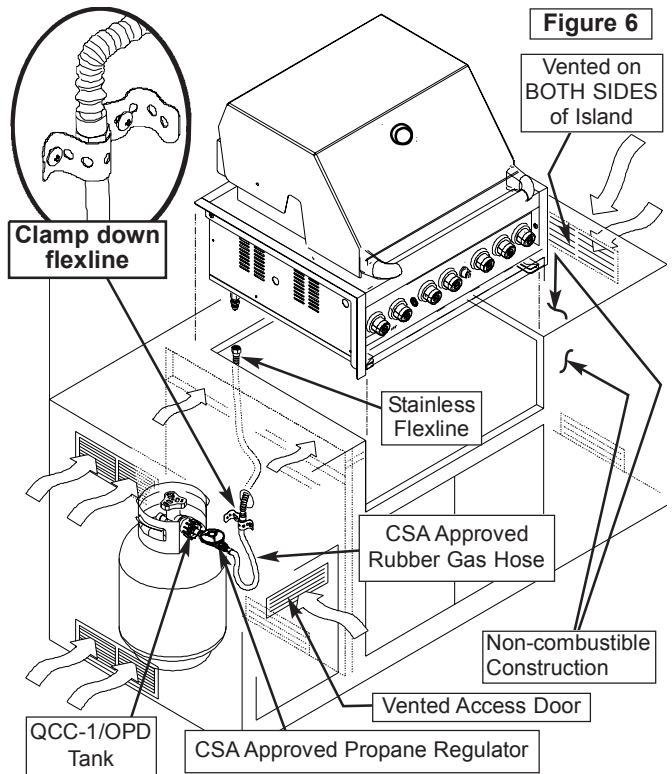
**NOTE:** When using Propane, EXTREME CAUTION should be used to provide ample ventilation of vapor from the enclosure. LP Gas vapor is heavier than air and SERIOUS INJURY from a DANGEROUS EXPLOSION could occur if LP Gas is allowed to accumulate in an enclosure and then ignited. Both the Barbecue enclosure and LP cylinder enclosure require venting that must be provided at the floor level of the enclosure to allow any leaking LP Gas vapor to escape (see Figure 6). Upper & lower ground-level vents (20 sq. in. minimum each) **MUST BE PROVIDED** on both sides of built-in construction. Please ask a Barbeques Galore associate for full details.

**NOTE:** When installing a barbecue equipped for liquid propane in an island, the propane tank must be in a separate enclosure that is completely isolated from the barbecue. It must be cross-ventilated in accordance with the current standard. The propane tank **MUST NEVER** be installed directly under the barbecue.

**NOTE:** Upper & lower ground-level vents (20 sq. in. minimum each) **MUST BE PROVIDED** for combustion air on both sides of built-in construction. Please ask a Barbeques Galore associate for full details.

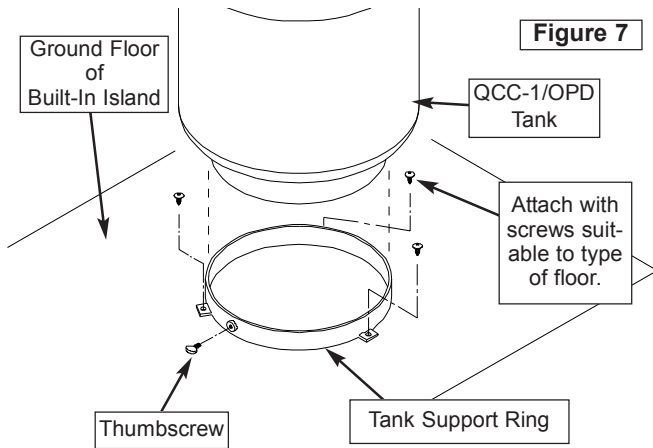
**Barbecues must be installed in accordance with CSA specifications and all local building codes.**

Figure 6



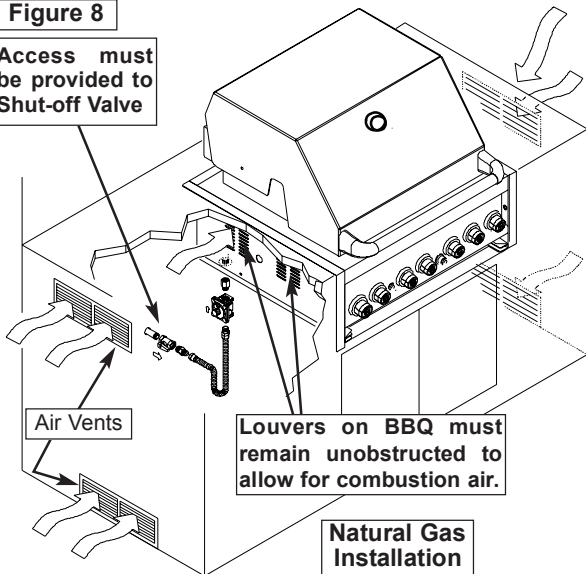
## LP Tank Retention System For Built-In Islands

The LP Tank in the separate compartment needs to be secured to the floor to prevent tipping (Figure 7).



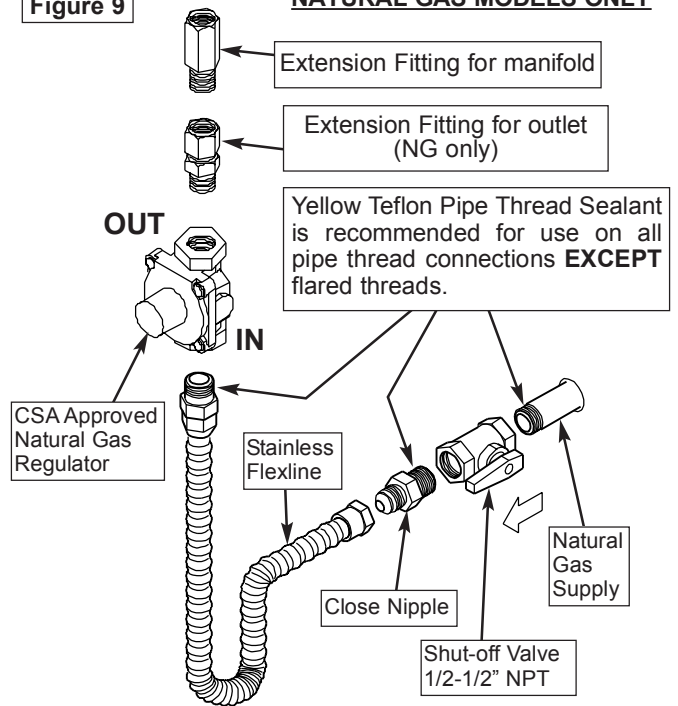
**Figure 8**

Access must be provided to Shut-off Valve



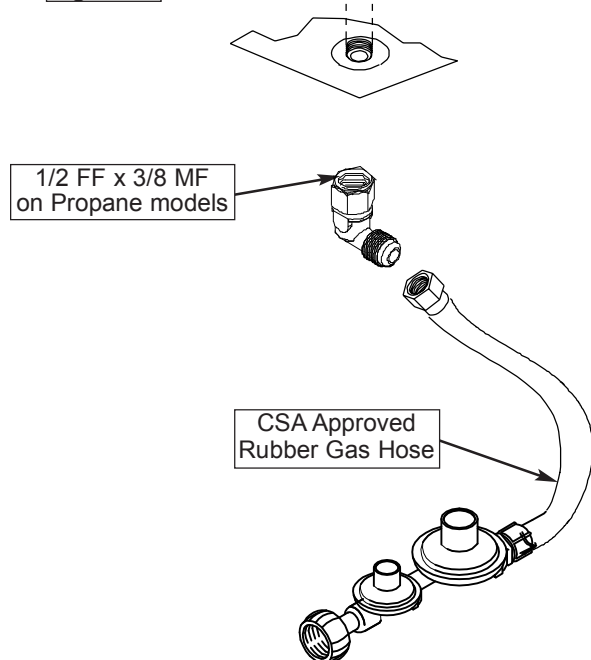
**Figure 9**

## NATURAL GAS MODELS ONLY



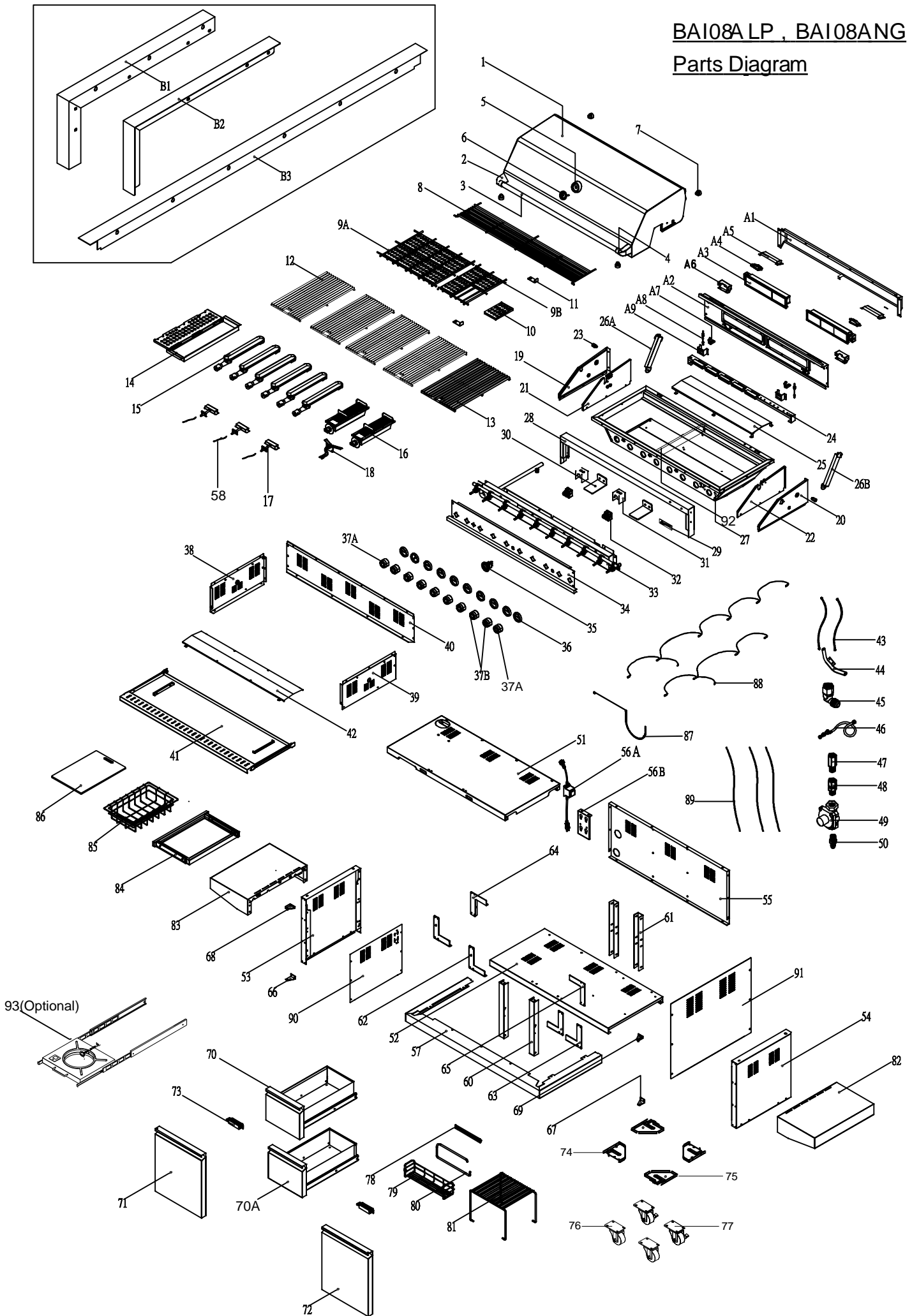
**IMPORTANT:** Regulator must be on the Barbecue or your warranty is void.

**Figure 10** CART MODEL LP GAS CONNECTION



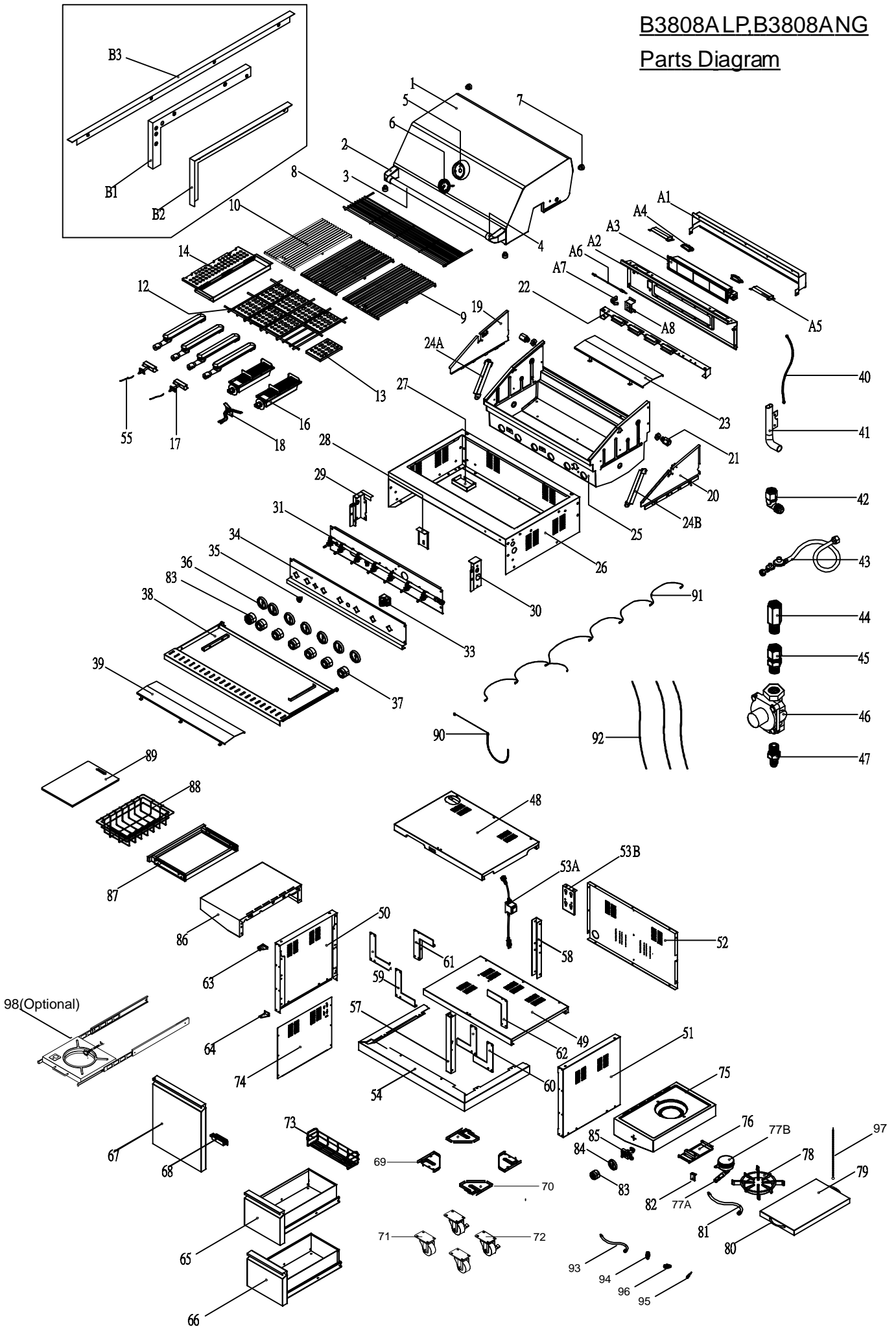
BAI08A LP , BAI08ANG

Parts Diagram



B3808ALP,B3808ANG

Parts Diagram



## Parts List For Model BAI08A

ITEM	DESCRIPTION	PART#	QTY.
1	Lid Assembly	Y0130015	1
2	Lid Handle Bracket	P00303016E	2
3	Lid Handle	P00205064B	1
4	Lid Handle Heat-Insulating Spacer	P06801002A	2
5	Temperature Gauge Seat	P00614015A	1
6	Temperature Gauge	P00601251A	1
7	Protective Pad	P05518002I	4
8	Cooking Rack/Secondary	P01518005B	1
9A	Flame Tamer/Rack(Large)	P01720034B	1
9B	Flame Tamer/Rack(Small)	P01720035B	1
10	Flame Tamer/Ceramic	P01804002A	12
11	Flame Tamer/Rack Stop	P03328015C	2
12	Cooking Grid - Large	P016040416	4
13	Cooking Grid - Small	P016040426	1
14	Smoker Box	P06701020A	1
15	Burner/Main	P02003045B	6
16	Infrared Burner	P02005020A	2
17	Gas Collector Box with Electrode	P02610020A	3
18	Infrared Burner Dual Electrode	P02625002C	1
19	Bowl Side Panel/Left	P0072082EC	1
20	Bowl Side Panel/Right	P0072183EC	1
21	Bowl Side Panel/Trim Plate/Left	P07514037A	1
22	Bowl Side Panel/Trim Plate/Right	P07514038A	1
23	Lid Hinge with Nut	P05511006A	2
24	Burner Bracket	P02216024A	1
25	Grease Tray Heat Shield	P06904008C	1
26A	Lid Spring,Left	P05551001M	1
26B	Lid Spring,Right	P05551002M	1
27	Bowl	P00713576C	1
28	Control Panel Frame Bracket	P03306034C	1
29	Name Plate	P00407014C	1
30	Control Panel Bracket	P03304010C	2
31	E.I Protector	P03328050Q	2
32	Electric Ignitor, 4-Ports	P02502184C	2
33	Gas Valve/Manifold Assembly-LP	Y0060622	1
	Gas Valve/Manifold Assembly-NG	Y0060623	1
34	Control Panel	P02911943A	1
35	Lighting Switch	P05360001B	1
36	Control Knob Seat	P03415034A	10
37A	Control Knob for Main Burner/ Back Burner	P03426125W	8
37B	Control Knob for Infrared Burner	P03426205U	2
38	Body Panel,Left	P00720886C	1
39	Body Panel,Right	P00721896C	1

## Parts List For Model BAI08A (Continued)

40	Body Panel,Rear	P00725386C	1
41	Grease Tray Assembly	Y0270007	1
42	Grease Tray Heat Shield,Lower	P06904013C	1
43	Extension Tube	P03701011A	2
44	Lighting Tube	P05507003A	1
45	Extension Fitting for Manifold (LPG only)	P03902016A	1
46	Regulator with Hose / LPG	P03620025A	1
47	Extension Fitting for Manifold (NG only)	P03901015A	1
48	Extension Fitting - Outlet (NG only)	P03901013A	1
49	Regulator / NG	P03628001B	1
50	Extension Fitting - Inlet (NG only)	P03901017A	1
51	Cart Top Shelf	P01010039C	1
52	Cart Bottom Shelf	P01010038C	1
53	Cart Side Panel,Left	P07602027A	1
54	Cart Side Panel,Right	P07603030A	1
55	Cart Rear Panel	P07701078A	1
56A	Transformer	P05374001B	1
56B	Transformer Bracket	P03328057A	1
57	Cart Bottom Shelf /Trim Plate	P07516001A	1
58	Electric Wires Set/ Electrode	P02615109D	1
60	Drawer Bracket,Front	P03304050C	2
61	Drawer Bracket,Rear	P03304051C	2
62	Cart Bracket Panel,Left Bottom	P03331011F	2
63	Cart Bracket Panel,Right Bottom	P03331012F	2
64	Cart Bracket Panel,Left Top	P03331013F	1
65	Cart Bracket Panel,Right Top	P03331014F	1
66	Door Hinge Bracket-Left Bottom	P03314037C	1
67	Door Hinge Bracket -Right Bottom	P03314038C	1
68	Door Hinge Bracket -Left Top	P03314050C	1
69	Door Hinge Bracket -Right Top	P03314051C	1
70	Drawer Assembly,Upper	Y0420014	1
70-A	Drawer Assembly,lower	Y0420011	1
71	Door,Left	P04302046A	1
72	Door,Right	P04303047A	1
73	Door Magnet	P05323007M	2
74	Caster Seat,left front/right rear	P05327062H	2
75	Caster Seat,right front/left rear	P05327063H	2
76	Caster, 2.5 in.,without Brake/Front	P05117007E	2
77	Caster, 2.5 in.,with Brake/Rear	P05110001E	2
78	Towel Rack Bracket	P05212008A	1
79	Spice Basket	P05203001A	1
80	Towel Rack	P05209003A	1
81	Cart Shelf	P05204070F	1
82	Side Shelf,Right	P01107043B	1

## Parts List For Model BAI08A (Continued)

83	Side Shelf,Left	P01106046B	1
84	Side Shelf Spice Basket Assembly	P05204071G	1
85	Side Shelf Spice Basket	P05204072G	1
86	Cutting Board	P02401004A	1
87	Lighting Stick Assembly	P05313009B	1
88	Electric Wires Set	P02615134A	1
89	Lamp Wires Set	P02615135A	1
90	Cart Side Panel,Left/Trim Plate	P07509010A	1
91	Cart Side Panel,Right/Trim Plate	P07509011A	1
92	Bowl Reinforcing Plate	P03304022C	1
93	Tank Tray(Optional)	Y0340022	1
A1	Rear Wind Shelf	P00725966C	1
A2	Back Burner Frame	P02011064E	1
A3	Back Burner Assembly-LP	Y0030024	2
	Back Burner Assembly-NG	Y0030025	2
A4	Lamp	P05352003B	2
A5	Lamp Cover	P05352004A	2
A6	Thermocouple Water Shield	P03327062F	2
A7	Burner Electrode	P02614015C	2
A8	Back Burner Thermocouple	P05305030A	2
A9	Back burner Thermocouple Bracket	P03328050C	2
B1	Trim Panel, Left	P07505007A	1
B2	Trim Panel, Right	P07504007A	1
B3	Trim Panel, Rear	P07515015A	1
	Owner's Manual	P80151085A	1

## Parts List For Model B3808A

ITEM	DESCRIPTION	PART NO.	QTY.
1	Lid Assembly	Y0130016	1
2	Lid Handle Bracket	P00303016E	2
3	Lid Handle	P00205025B	1
4	Lid Handle Heat-Insulating Spacer	P06801002A	2
5	Temperature Gauge Seat	P00614015A	1
6	Temperature Gauge	P00601251A	1
7	Protective Pad	P05518002I	4
8	Cooking Rack/Secondary	P01516010B	1
9	Cooking Grid/Large	P016040406	2
10	Cooking Grid/Small	P016040416	1
12	Flame Tamer/Rack	P01720034B	1
13	Flame Tamer/Ceramic	P01804002A	8
14	Smoker Box	P06701020A	1
15	Burner/Main	P02003045B	4
16	Infrared Burner	P02005020A	2
17	Gas Collector Box with Electrode	P02610020A	2
18	Infrared Burner Dual Electrode	P02625002C	1
19	Bowl Side Panel/Trim Plate/Left	P07514039A	1
20	Bowl Side Panel/Trim Plate/Right	P07514040A	1
21	Lid Hinge with Nut	P05511006A	2
22	Burner Bracket	P02206294A	1
23	Grease Draining Tray Heat Shield	P06904047C	1
24A	Lid Spring,Left	P05551001M	1
24B	Lid Spring,Right	P05551002M	1
25	Grill Bowl	P00713586C	1
26	Bowl Frame	P00739476C	1
27	Extension Fitting Bracket	P03328058C	1
28	Extension Fitting Bracket Support	P03328059C	1
29	Heat Shield Bracket,Left	P03328060C	1
30	Heat Shield Bracket,Right	P03328061C	1
31	Gas Valve/Manifold Assembly-LP	Y0060624	1
	Gas Valve/Manifold Assembly-NG	Y0060625	1
33	Electric Ignitor, 6-Ports	P02502305C	1
34	Control Panel	P02914081A	1
35	Lighting Switch	P05360001B	1
36	Control Knob Seat	P03415034A	7
37	Control Knob for Main Burner	P03426205U	6
38	Grease Tray Assembly	Y0270015	1
39	Grease Tray Heat Shield,Lower	P06904014C	1
40	Extension Tube	P03701008A	1
41	Lighting Tube	P05507001A	1
42	Extension Fitting for Manifold (LPG only)	P03902016A	1
43	Regulator with Hose / LPG	P03620025A	1

## Parts List For Model B3808A (Continued)

44	Extension Fitting for Manifold (NG only)	P03901015A	1
45	Extension Fitting - Outlet (NG only)	P03901013A	1
46	Regulator / NG	P03628001B	1
47	Extension Fitting - Inlet (NG only)	P03901017A	1
48	Cart Top Shelf	P01010040C	1
49	Cart Bottom Shelf	P01010041C	1
50	Cart Side Panel,Left	P07602027A	1
51	Cart Side Panel,Right	P07603030A	1
52	Cart Rear Panel	P07701079A	1
53A	Transformer	P05374001B	1
53B	Transformer Bracket	P03328057A	1
54	Cart Bottom Shelf/Trim Plate	P07516002A	1
55	Electric Wires Set/Electrode	P02615046D	1
57	Drawer Bracket,Front	P03304050C	1
58	Drawer Bracket,Rear	P03304051C	1
59	Cart Bracket Panel,Left Bottom	P03331011F	2
60	Cart Bracket Panel,Right Bottom	P03331012F	2
61	Cart Bracket Panel,Left Top	P03331013F	1
62	Cart Bracket Panel,Right Top	P03331014F	1
63	Door Hinge Bracket -Left Top	P03314050C	1
64	Door Hinge Bracket-Left Bottom	P03314037C	1
65	Drawer Assembly,Upper	Y0420012	1
66	Drawer Assembly,Lower	Y0420013	1
67	Door	P04302049A	1
68	Door Magnet	P05323007M	1
69	Caster Seat,Left Front & Right Rear	P05327062H	2
70	Caster Seat,Right Front & Left Rear	P05327063H	2
71	Caster, 2.5 in., without Brake/Front	P05117007E	2
72	Caster, 2.5 in., with Brake/Rear	P05110001E	2
73	Spice Basket	P05203001A	1
74	Cart Side Panel,Left/Trim Plate	P07509010A	1
75	Side Burner Body	P01108014B	1
76	Side Burner Bracket Assembly	P02215105A	1
77A	Side Burner	P02004040B	1
77B	Side Burner Cap	P02013059E	1
78	Pot Support	P00815008A	1
79	Side Burner Lid	P0011550AA	1
80	Side Burner Lid Handle	P00210006A	2
81	Side Burner Connection Hose	P03710003F	1
82	Side Burner Orifice Bracket	P03317002A	1
83	Control Knob for Infrared Burner/Side Burner	P03426125W	1
84	Control Knob Seat for Side Burner	P03415034A	1
85	Side Burner Gas Valve	P03218129G	1
86	Side Shelf,Left	P01106046B	1

## Parts List For Model B3808A (Continued)

87	Side Shelf Spice Basket Assembly	P05204071G	1
88	Side Shelf Spice Basket	P05204072G	1
89	Cutting Board	P02401004A	1
90	Lighting Stick Assembly	P05313009B	1
91	Electric Wires Set	P02615132A	1
92	Lamp Wires Set	P02615133A	1
93	Side Burner Orifice Connection Hose	P03701028F	1
94	Extension Fitting for Side Burner	P03901028A	1
95	Side Burner Electrode	P02607058M	1
96	Side Burner Orifice-LP	P06533018A	1
	Side Burner Orifice-NG	P06533019A	1
97	Side Burner Lid Chain	P05522001A	1
98	Tank Tray(Optional)	Y0340022	1
A1	Back Burner Wind Shield	P00725946C	1
A2	Back Burner Frame	P06906077A	1
A3	Back Burner Assembly-LP	Y0030026	1
	Back Burner Assembly-NG	Y0030027	1
A4	Lamp	P05352003B	2
A5	Lamp Cover	P05352004A	2
A6	Back burner Thermocouple	P05305030A	1
A7	Back Burner Electrode	P02614015C	1
A8	Back burner Thermocouple Bracket	P03328050C	1
B1	Trim Panel, Left	P07505002A	1
B2	Trim Panel, Right	P07504002A	1
B3	Trim Panel, Rear	P07515009A	1
	Owner's Manual	P80151085A	1

To make sure you obtain the correct replacement part(s) for your Barbeques Galore Gas Grill, please refer to the parts list on this page. Also, the following information is required to assure getting the correct part:

1. Gas Model Number (see CSA label on grill) see **Page 2** for label location.
2. Part Number
3. Description
4. Quantity of parts needed

Please allow sufficient time to process and ship.

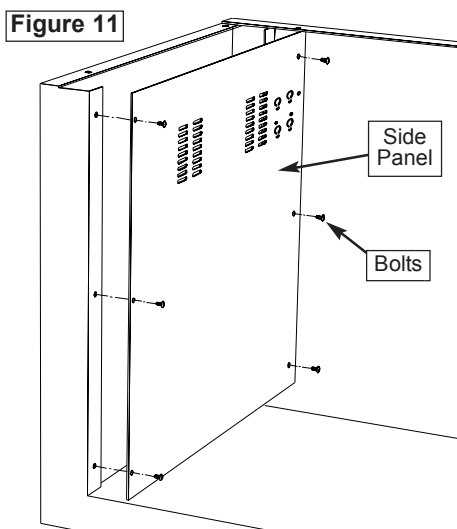
**IMPORTANT:** Keep this Operator's Manual for convenient referral and for part replacement.

**IMPORTANT:** Use only factory authorized parts. The use of any part that is not factory authorized can be dangerous. This will also void your warranty

**Customer Service Helpline:** If you have questions about assembly or grill operation, or if there are damaged or missing parts when you unpack this unit from the shipping box, call us Monday through Friday at 1-800-752-3085

**Cart & Barbecue Assembly** (requires an assistant)

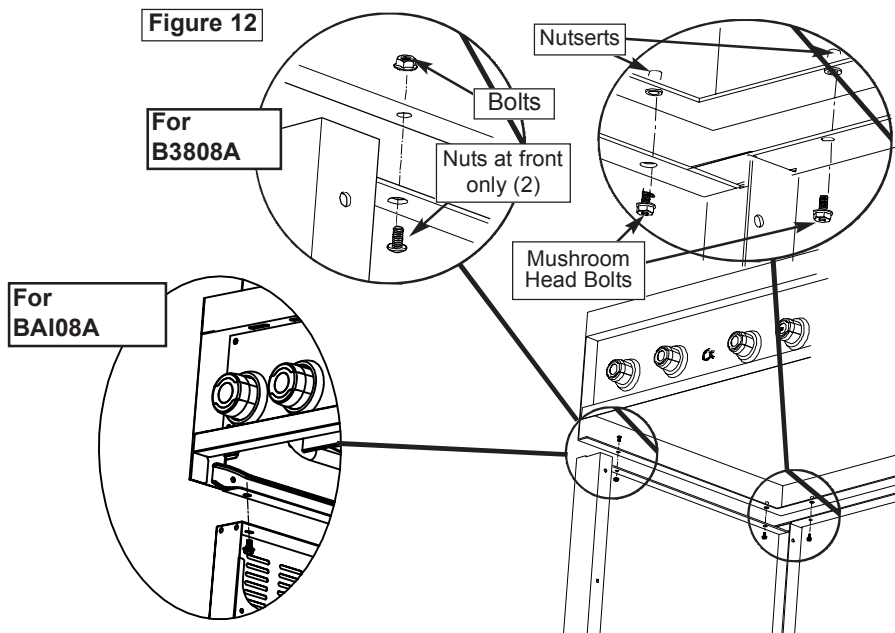
1. Remove Left & Right Side Panels on both sides of cart as shown in **Figure 11**.



2. With the help of your assistant, position barbecue on top of Cart and align mounting holes as shown in **Figure 12**.
3. Secure barbecue to Cart using Mushroom Head bolts (no nuts required) as follows:  
 B3808A (38" BBQ) 5 bolts at rear & side  
 BAI08A (52" BBQ) 6 bolts at rear & side  
 See **Figure 12**.

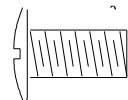
Do not tighten until all fasteners are in place.

You may need your assistant to adjust the position of the barbecue so that the holes are all aligned.

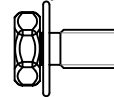


4. Once barbecue & cart are aligned, tighten all bolts.
5. Replace Left & Right Side Panels.

**Models B5208ACT**

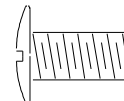


Phillips Head Screw  
1/4"x1/4"  
Qty. 2

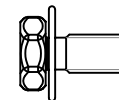


Hex Head Screw  
1/4" x 1/2"  
Qty. 6

**Models B3808ACT**



Phillips Head Screw  
1/4" x 1/2"  
Qty. 2



Hex Head Screw  
1/4" x 1/2"  
Qty. 5



Flange Nut 1/4"  
Qty. 2

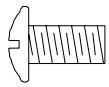
# Grand Turbo B5208ACT, B3808ACT Models Cart & Cart Trim Plate Assembly Instructions

Mode number-CT=Cart

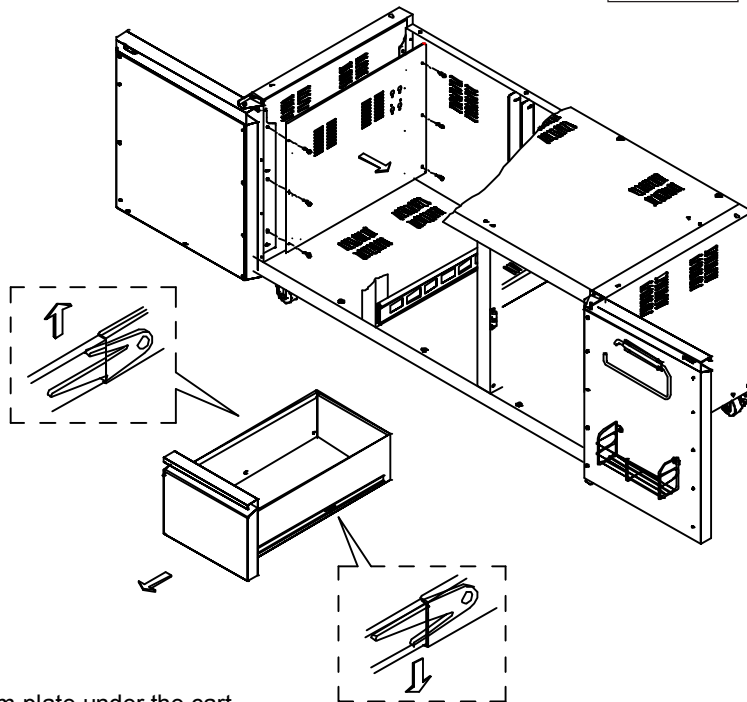
## 1 Cart & Cart Trim Plate Assembly (requires an assistant)

1. Open the left door from cabinet cart. Unscrew the left cart side panel trim plate from the left cart side panel.
2. Repeat for right cart side panel trim plate.
3. Pull out the upper drawer, Push up black tenon on the left side and push down black tenon on the right side to remove the upper drawer.
4. Repeat for lower drawer.

Figure 13



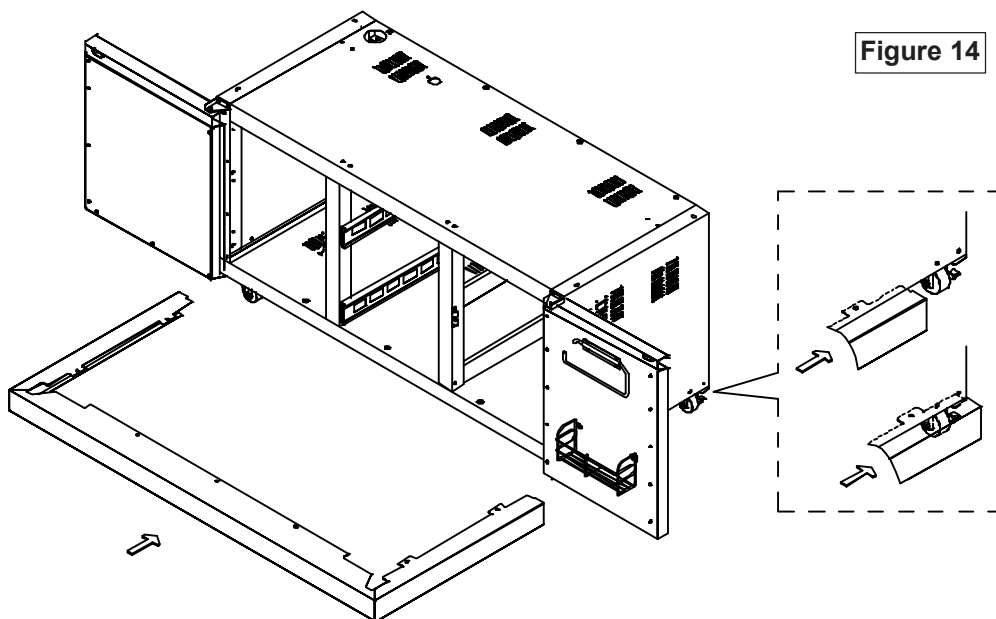
3/16"x1/2" Phillips Head Screw  
Qty. 12  
(from left & right cart side panel trim plate)



## 2

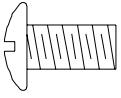
1. Place the cart trim plate under the cart.
2. Be sure the rear of cart trim plate are inserted into the cart trim plate bracket.

Figure 14

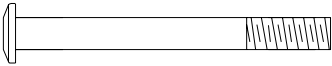


**3**

Align the holes on the cart bottom shelf and the caster seats with the threaded holes on the cart trim plate. Tighten securely using 4 screws and 3 bolt provided.



1/4"x1/2" Phillips Head Screw  
Qty. 4



1/4"x2-1/2" Pan Head with Cross  
Recess Bolt  
Qty. 3 (for B5208ACT Model)  
Qty. 2 (for B3808ACT Model)

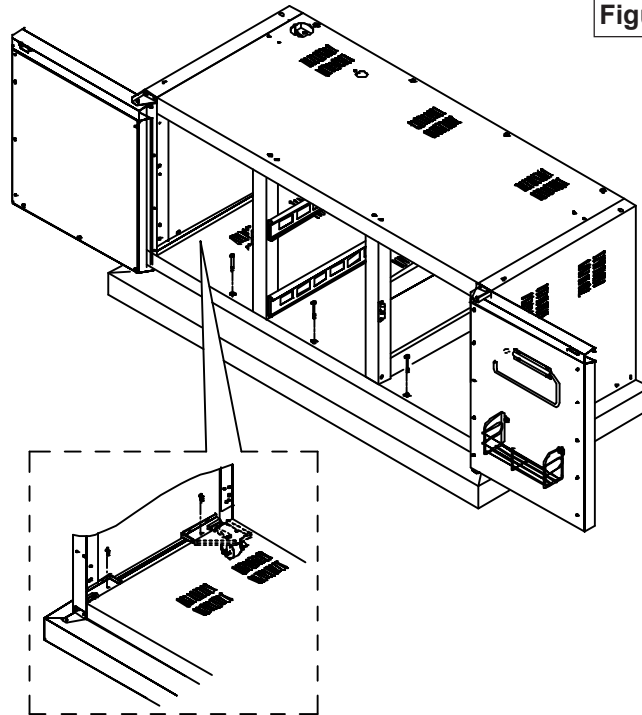
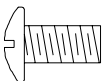


Figure 15

**4**

1. Install the left cart side panel trim plate to the left cart side panel.
2. Repeat for right cart side panel trim plate.
3. Install the upper drawer, Push up black tenon on the left side and push down black tenon on the right slide to install the upper drawer to cart.
4. Repeat for lower drawer.



3/16"x1/2" Phillips Head Screw  
Qty. 12  
(from left & right cart side panel  
trim plate)

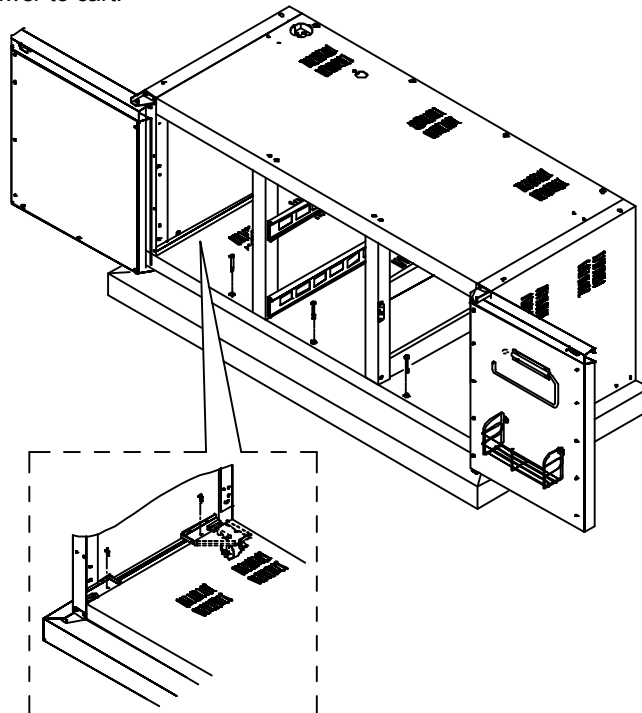
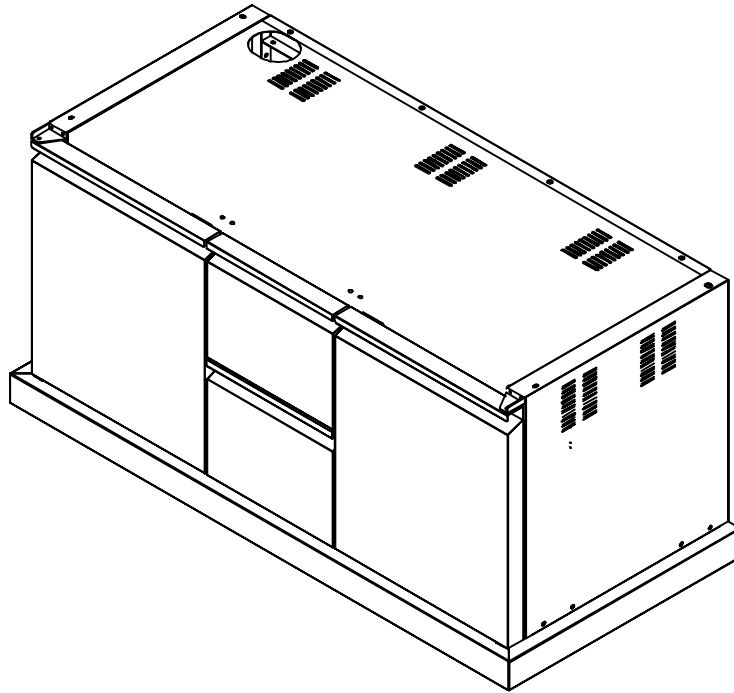


Figure 16

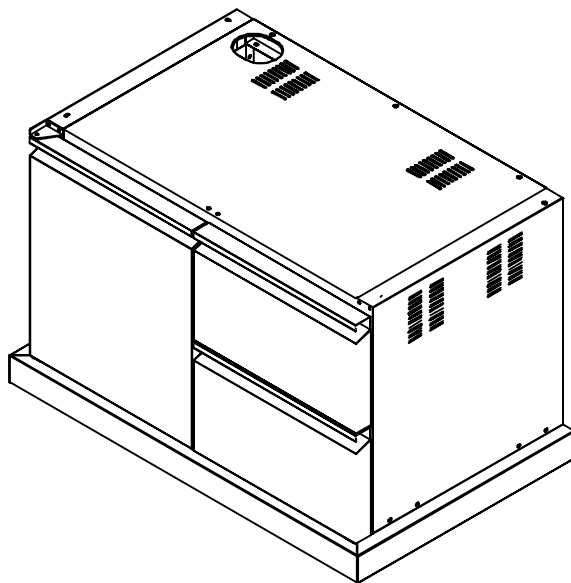
## Models B5208ACT

Figure 17



## Models B3808ACT

Figure 18



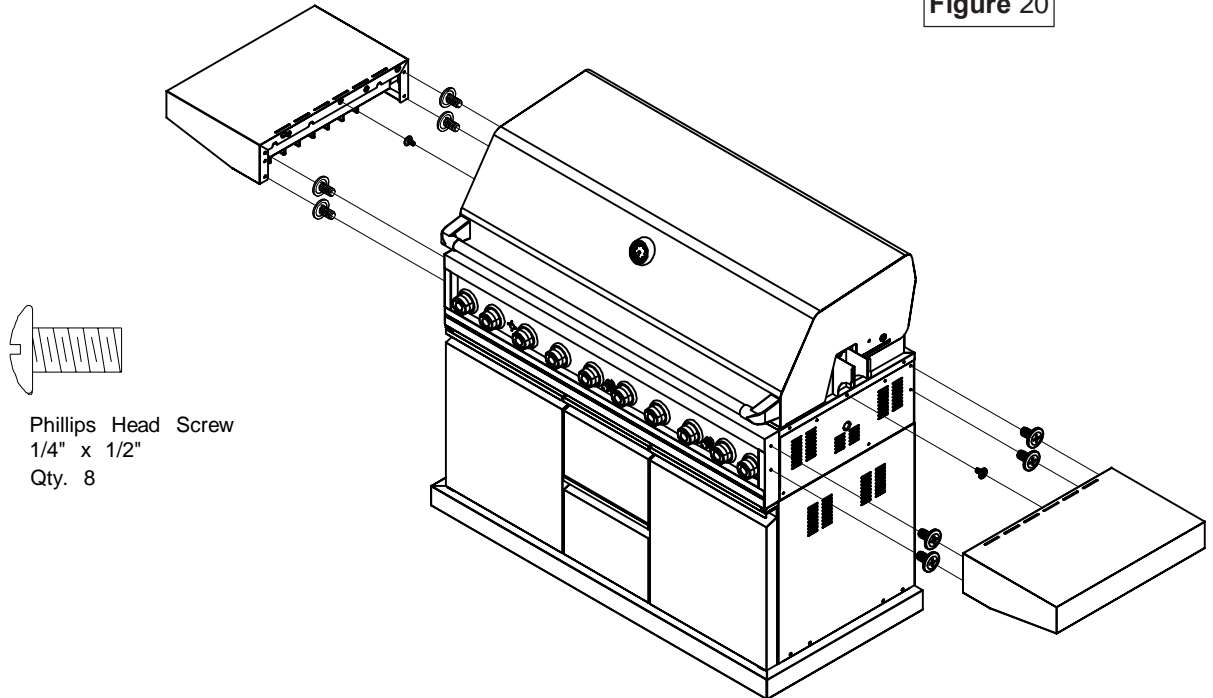
# Grand Turbo Side Shelf & Side Burner Assembly Instructions

**1**

- Unscrew a pre-assembly screw from the Left Body Panel before placing the Left Side Shelf.
- Place the Left Side Shelf to the Left Body Panel using 4 of 1/4" x 1/2" Phillips Head Screws and the unscrewed pre-assembly screw.
- Repeat for the Right Side installation.

**Models B5208ACT**

Figure 20

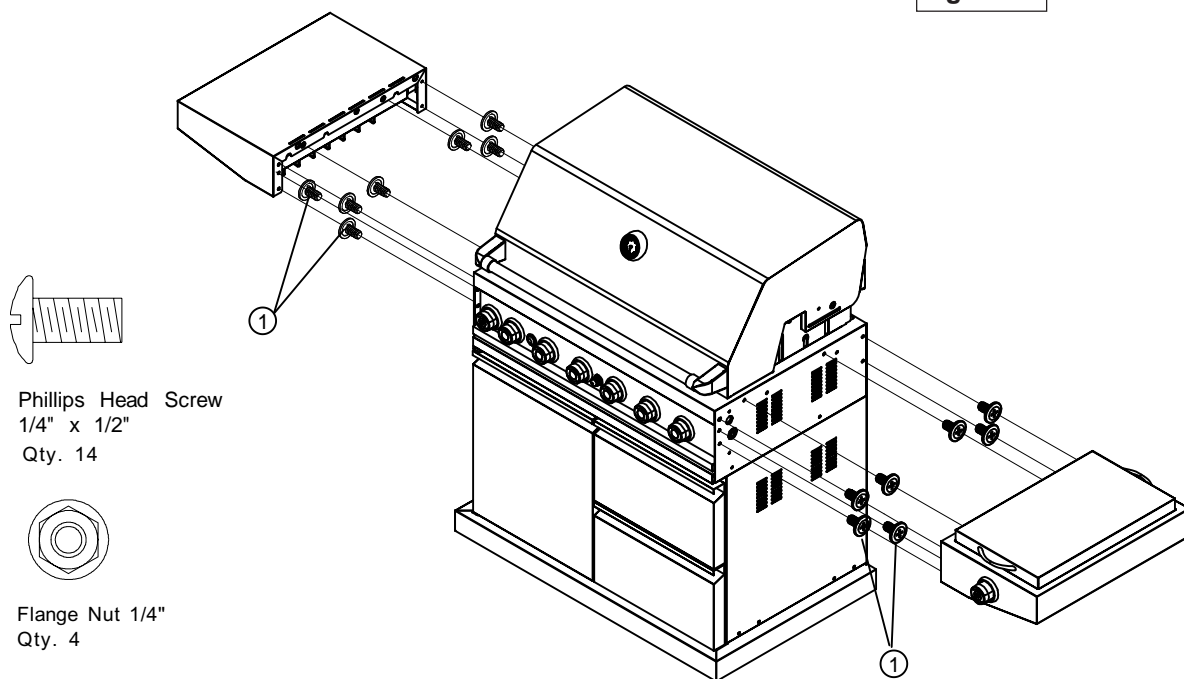


**2**

- Place the Side Shelf to the Left Body Panel by using 7 of 1/4" x 1/2" Phillips Head Screws and 2 1/4" Nuts. (① These Screws with Nuts.)
- Repeat for the Side Burner installation.

## Models B3808ACT

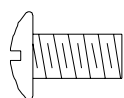
Figure 21



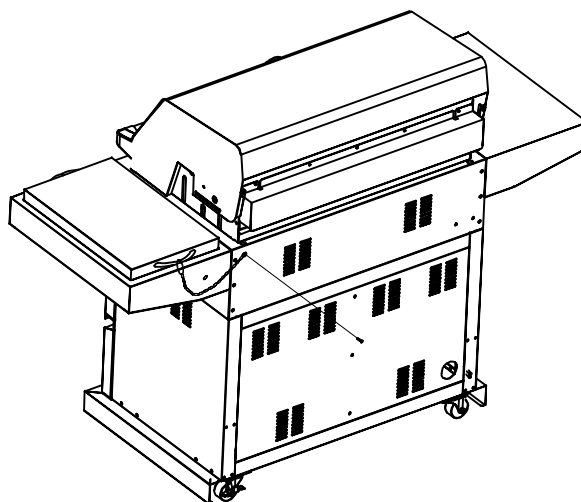
**3**

- Install the Side Burner Lid Chain by using 1-1/4 x 1/2 Phillips Head screw.

## Models B3808ACT



Phillips Head Screw  
1/4" x 1/2"  
Qty. 1

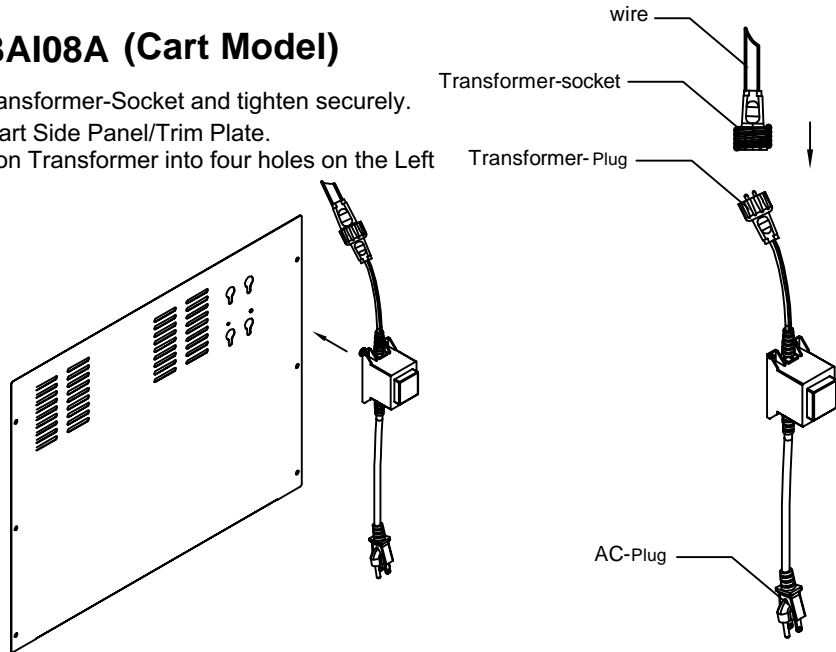


# Grand Turbo Transformer Assembly Instructions

## 1

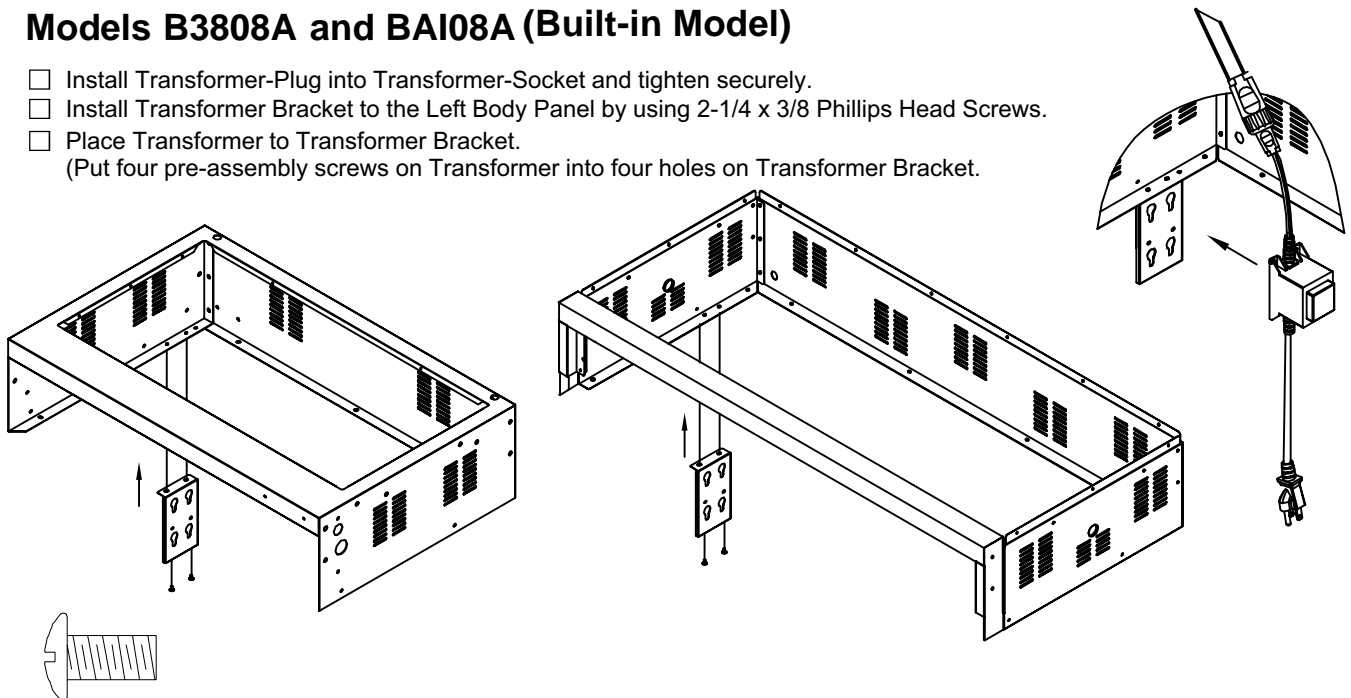
### Models B3808A and BAI08A (Cart Model)

- Install Transformer-Plug into Transformer-Socket and tighten securely.
- Place Transformer to the Left Cart Side Panel/Trim Plate.  
(Put four pre-assembly screws on Transformer into four holes on the Left Cart Side Panel/Trim Plate. )



### Models B3808A and BAI08A (Built-in Model)

- Install Transformer-Plug into Transformer-Socket and tighten securely.
- Install Transformer Bracket to the Left Body Panel by using 2-1/4 x 3/8 Phillips Head Screws.
- Place Transformer to Transformer Bracket.  
(Put four pre-assembly screws on Transformer into four holes on Transformer Bracket.)



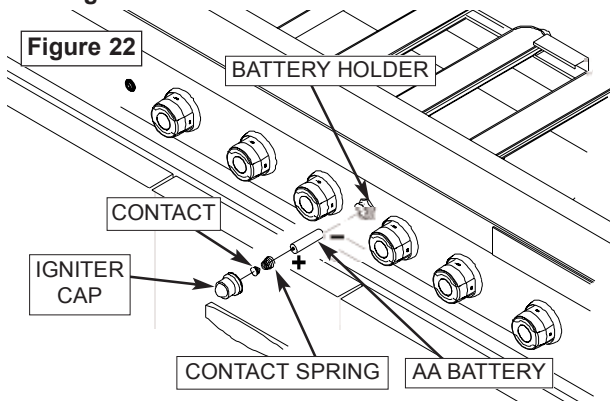
Phillips Head Screw  
1/4" x 3/8"  
Qty. 2

## 2 Light the Lamps

- After the installations above connect the power supply then you can use the lamps.  
(Push the Lighting Switch on Control Panel to light the Lamps)

## Assembly Instructions

1. Unscrew Igniter Cap(s) located on the grill Control Panel and remove the Contact(s) and Spring(s) from the Battery Holder(s).
2. Place an "AA" battery into Battery Holder(s). Be sure to place the positive pole facing toward you. See **Figure 22**.

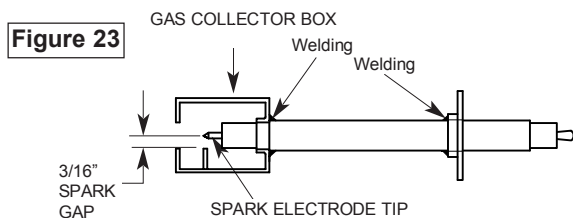


3. Place the Spring over the AA battery, then place the Contact on top of the Spring. Screw Igniter Cap(s) back onto the grill Control Panel.

## Electrode Check - Requires an Assistant

Before placing the cooking components into your grill, ensure that the Spark Electrode Tips are properly positioned within each Gas Collector Box (a 3-1/4" wide stainless mechanism found at the front between each set of burners). The easiest way to ensure this is to perform this Electrode Check:

1. Be sure all Control Knobs are set to "OFF". Open the Grill Lid.
2. Have an assistant stand behind to the right of the grill and look down at the Gas Collector Box of the main burners. NEVER put your face inside Grill Head.
3. Press center Igniter Cap and have assistant watch for a small blue spark within each Gas Collector Box. If a spark is present the Electrode Tips are properly positioned.
4. If no spark is seen, the Spark Gap shown in **Figure 23** needs to be adjusted as follows:



- Using an adjustable wrench, loosen the Inside Nut just until the Gas Collector Box can be maneuvered and turned upward.
- The gap between the Spark Electrode Tip and Spark receiver should be approximately 3/16".

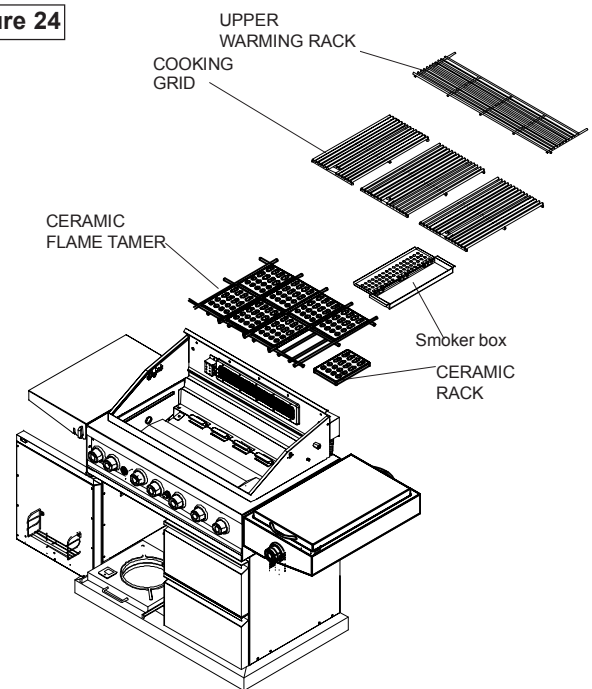
- If the gap is wider than 3/16" use a pair of long nose pliers and gently squeeze the Gas Collector Box until the gap is correct.
- Return the Gas Collector Box to its original horizontal position, secure the Inside Nut and try the Electrode Check again.

## Installing Cooking Components

**Important:** Before cooking on your grill for the first time, wash the cooking grids and warming rack with warm, soapy water. Rinse and dry thoroughly. Season with cooking oil regularly. After cooking is completed, turn grill to HIGH setting for about five minutes to burn off excess grease or food residue.

1. Place the Ceramic Flame Tamers on the Ceramic Rack and place on the lower ledge above the burners.
2. Place the Smoker Box above Flame Tamers.
3. Evenly space the Stainless Steel Cooking Grids on the ledge above the Flame Tamers.
4. Place the Upper Warming Rack into the holes on the upper left and upper right of the back burner frame with bowl.

**Figure 24**



NOTE: There are no Ceramic Tiles above the Infrared Burners.

**CAUTION:** Place dust cap on cylinder valve outlet whenever the cylinder is not in use. Only install the type of dust cap on the cylinder valve outlet that is provided with the cylinder valve. Other types of caps or plugs may result in leakage of propane.

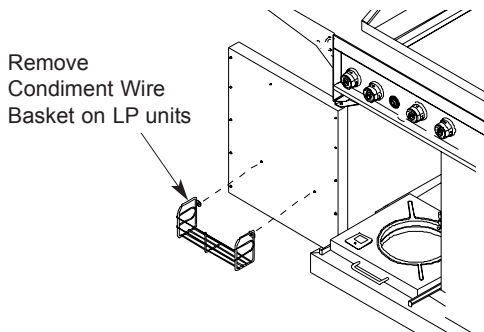
## Connecting A Liquid Propane (LP) Gas Tank To Your Grill

1. You will need to install the special fitting 1/2"FF (Female Flare) x 3/8"MF (Male Flare) onto the outlet manifold so that it is easier to attach the Hose and Regulator (see **Pg.8, Fig.10**). Attach LP Hose & Regulator assembly to the fitting and ensure that both connections are gas tight (Do NOT use Pipe Sealant on these flare connections).

**NOTE:** On Model B3808ALP, the Condiment Wire Basket needs to be removed from Left Side of Door Inner Liner (**Figure 25**).

**Figure 25**

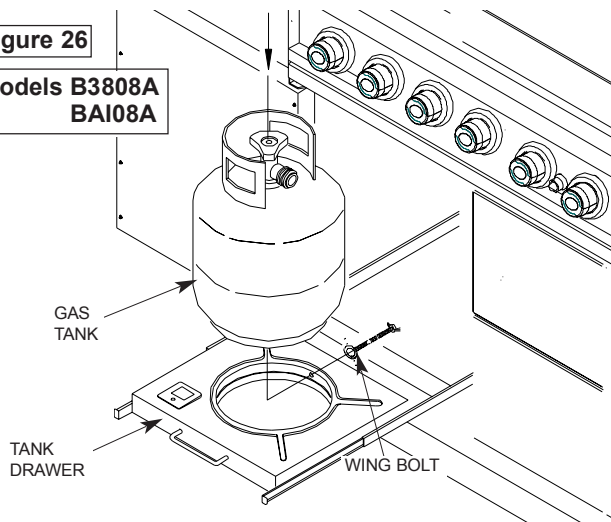
**Model B3808ALP**



2. Open the left door. Pull out the LPG tank drawer (these are not supplied with Natural Gas models). **Note:-Tank drawer must be installed into the cart by the consumer as per the instructions supplied with drawer kit. (Please reference to the OM-P81201075A)** Place the 20 lb cylinder with foot ring into the hole in the drawer. See **Figure 26**. Make sure the tank valve is in the OFF position. Make sure the gas tank is in the upright position. Use the 5/16" x 90mm wing bolt provided to secure gas tank.

**Figure 26**

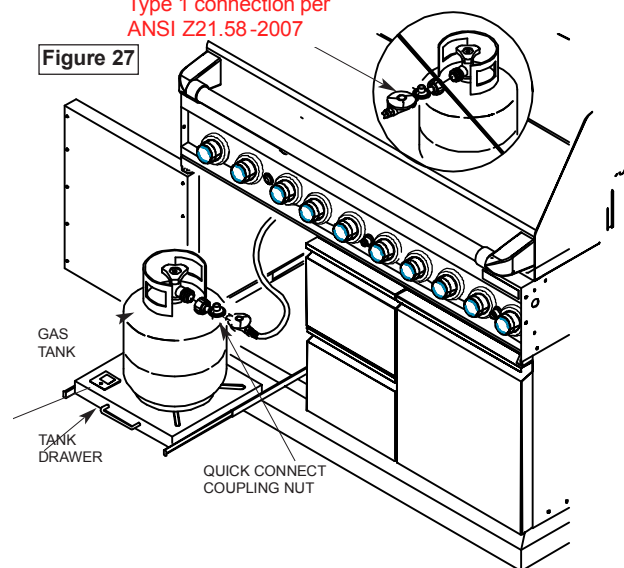
**Models B3808A BAI08A**



3. Check the tank valve to ensure it has proper external mating threads to fit the hose & regulator assembly provided. See **Figure 27**. (Type 1 connection per ANSI Z21.58-2007)
4. Make sure all burner valves are in the OFF position.

Type 1 connection per ANSI Z21.58-2007

**Figure 27**



5. Inspect the valve connection port and regulator assembly. Look for damage or debris. Remove any debris. Inspect hose for damage. Never use damaged or plugged equipment.
6. When connecting the hose and regulator assembly to the tank valve, hand tighten nut clockwise to a full stop. Do not use a wrench to tighten because it could damage the Quick Coupling Nut and result in a hazardous condition.
7. Open the tank valve fully (counterclockwise). Use a soapy water solution to check all connections for leaks before attempting to light your grill. See "Checking for Gas Leaks" on **page 27**. If a leak is found, turn the tank valve off and do not use your grill until the leak is repaired.

### Disconnecting an LP Gas Tank From Your Grill.

1. Turn the burner valves and LP gas tank valve to the full OFF position. (Turn clockwise to close.)
2. Detach the hose and regulator assembly from the LP gas tank valve by turning the Quick Coupling Nut counterclockwise.

**CAUTION:** When the appliance is not in use, the gas must be turned off at the supply tank.

### Connecting Natural Gas To Your Grill

1. You will need to install the Special fitting 3/4" FF x 3/4" MP. Connect from the outlet manifold to the 12ft. Hose and QD(Quick Disconnect) on cart model or the Natural Gas Regulator to stainless steel flexline & shut-off valve for built-in installation.
- 2a. Built-in Model: Install the Shutoff Valve, Close Nipple, Stainless Steel Flexline to the Natural Gas Regulator. The Shutoff Valve must be intalled directly to the outlet pipe and the Natural Gas Regulator must be connect directly to the outlet manifold.

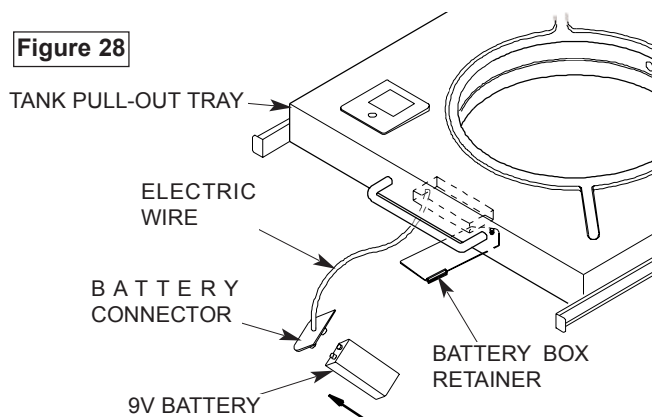
- 2b. Cart model: Pass the hose through the hole in the cart and connect the 12ft hose directly to the Natural Gas Regulator. Make sure you have installed a Shutoff Valve on the supply line.
3. Turn the gas supply on and fully open the shutoff valve. Use a soapy water solution to check all connections for leaks before attempting to light your grill. See "Checking for Gas Leaks" on [page 27](#). If a leak is found, turn the gas supply off and do not use your grill until the leak is repaired.

## Operating Fuel Gauge

### Calibration Procedure:

1. Before installing batteries be sure the gas tank is not mounted in the Tank Tray.
2. Pull out the Tank Tray. Rotate the Battery Box Retainer on the bottom of Tank Tray. See **Figure 28**.

**Figure 28**



**IMPORTANT: When the gas tank is removed from the tank tray, the fuel gauge display will not operate.**

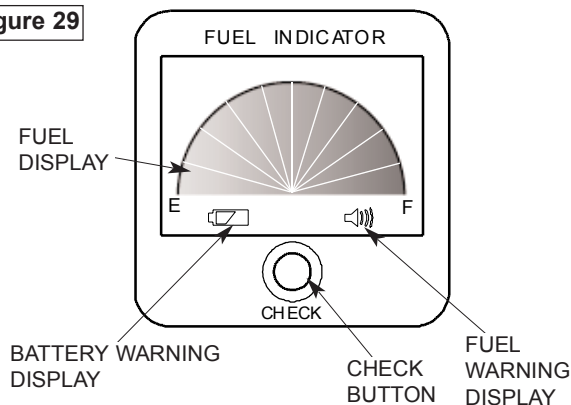
3. Carefully remove the Battery Connector with electric wire from the bottom of Tank Tray. Insert 9V battery (provided) to the battery Connector. Return the assembled Battery to position.
4. Rotate the Battery Box Retainer back into place.
5. During calibration the Fuel Gauge Display shows the tank images of FULL and then EMPTY quickly.

## Fuel Gauge Display - Operating

Press the "CHECK" button to operate Fuel Gauge Display with the gas tank mounted in the Tank Tray.

**NOTE: Tank must be positioned in tray for Fuel Gauge Display check.**

**Figure 29**



1. Fuel Display: Indicates gas tank fill level.
2. Fuel Warning Display: When the gas tank fill level is on the last row, a warning signal will sound for approximately 3 seconds to warn you that the tank volume is near empty.
3. Battery Warning Display: A low battery warning light will illuminate when the battery voltage drops to a low level. Replace the batteries.

### NOTES:

1. The Fuel Gauge Display lasts for approximately 20 seconds each time you press the "CHECK" button. After 20 seconds, the Fuel Gauge Display turns off automatically. If you press the button a second time within 20 seconds, the Fuel Gauge Display will be turned off manually. If you press the button a third time after 20 seconds, the Fuel Gauge Display will work and last for another 20 seconds.
2. The Fuel Gauge Display works only with a tank on the Tank Tray. No readout will appear if a tank is not mounted on the Tank Tray.

### Congratulations

Your Barbeques Galore gas grill is now ready for use. Before the first use and at the beginning of each season (and whenever the LP gas tank has been changed):

1. Read all safety, lighting and operating instructions.
2. Check gas valve orifices, burner tubes and burner ports for any obstructions.
3. Perform gas leak check according to instructions found on [page 27](#) of this manual.

## **⚠ WARNING**

A strong gas smell, or the hissing sound of gas indicates a serious problem with your gas grill or the LP gas tank. Failure to immediately follow the steps listed below could result in a fire or explosion that could cause serious bodily injury, death, or property damage.

- Shut off gas supply to the grill.
- Turn the Control Knobs to the **OFF** position.
- Open grill lid.
- Get away from the LP gas tank.
- Do not try to fix the problem yourself.
- If odor continues or you have a fire you cannot extinguish, call your fire department.

Do not call near the LP gas tank because your telephone is an electrical device and could create a spark resulting in fire and/or explosion.

**NOTE:** The normal flow of gas through the regulator and hose assembly can create a humming noise. A low volume of noise is perfectly normal and will not interfere with operation of the grill. If humming noise is loud and excessive you may need to purge air from the gas line or reset the regulator excess gas flow device. This purging procedure should be done every time a new LP gas tank is connected to your grill. For help call the Customer Service Helpline for assistance.

## **Checking For LP Gas Leaks**

**Never** test for leaks with a flame. Prior to first use, at the beginning of each season, or every time your LP gas tank is changed, you must check for gas leaks. Follow these four steps:

1. Make a soap solution by mixing one part liquid detergent and one part water.
2. Turn the grill control knobs to the full OFF position, then turn the gas ON at source.
3. Apply the soap solution to all gas connections. If bubbles appear in the soap solution the connections are not properly sealed. Check each fitting and tighten or repair as necessary.
4. If you have a gas leak that you cannot repair, turn off the gas at the source, disconnect fuel line from your grill and call 1-800-752-3085 or your gas supplier for repair assistance.

## **Grill Lighting Instructions**

### **Basic Lighting Procedures**

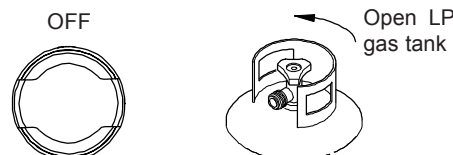
1. Familiarize yourself with the safety guidelines at the front of this manual. Do not smoke while lighting grill or checking gas supply connections.
2. Be sure the LP gas tank is filled.
3. Check that the end of each burner tube is properly located over each valve orifice.
4. Make sure all gas connections are securely tightened.
5. Open the Grill Lid or Side Burner Lid, depending on the burner you are lighting.

## **⚠ WARNING**

**Failure to open Grill Lid during the lighting procedures could result in a fire or explosion that could cause serious bodily injury, death, or property damage.**

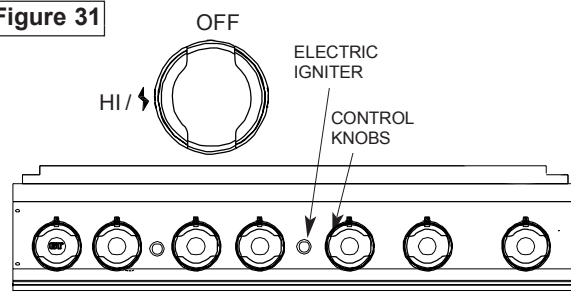
6. Set control knobs to OFF and open the LP gas tank valve slowly until 1/4 to 1/2 open.

**Figure 30**



7. Push and turn any control knob for Main Burner to HI/⚡. (Push the Control Knob to automatically ignite the Burner.)

**Figure 31**



8. If the burner does not light, turn the control knob to OFF, wait 5 minutes for gas to clear, then retry.
9. Once the grill burner is ignited, the adjacent burner can be lit by simply turning its control knob to HI/⚡.
10. Adjust control knobs to your desired cooking temperature.

### **Infrared Burner Lighting Instructions**

1. Follow steps 1 thru 7 of the Basic Lighting Procedures.
2. If the Infrared Burner does not light, turn the Control Knob to OFF, wait 5 minutes for gas to clear before retrying.
3. Once lit, the Infrared Burner will reach cooking temperature quickly. The orange/red glow will even out in about 5 minutes.

### **Rotisserie Burner Lighting Instructions**

**Note:** The location of the Rotisserie burner makes it more susceptible to winds that will decrease the performance of your rotisserie cooking. For this reason you should not operate the back burner during windy weather conditions.

**IMPORTANT: DO NOT** use the Rotisserie Burner while the Grill Burners are in use.

1. Open lid before lighting. Failure to do so can result in fire or explosion.
2. Make sure Grill Burners are OFF.
3. Set Rotisserie Burner Control Knob to OFF and open gas supply.
4. Press Control Knob in, turn it to ON/⚡ (Push the Control Knob to automatically ignite the Burner.) and continue to hold it down.
5. Continue to hold the Control Knob, pressed in, for a least 10 seconds after ignition so that the Thermocouple has time to warm up.
6. If the Rotisserie Burner does not light, turn the Control Knob to OFF, wait 5 minutes for gas to clear before retrying.
7. Once lit, the Rotisserie Burner will reach cooking temperature quickly. The orange/red glow will even out in 5 minutes.

### **Model BAI08A only**

9. Repeat for other Rear Rotisserie burner.
10. For best results, always rotisserie cook with the grill lid down and the Rotisserie Burner control knob set to ON/⚡. Do not use the main grill burners when the Rotisserie Burners is in operation.

### **Instructions for Electrical Equipment**

1. To protect against electric shock, do not immerse cord or plugs in water or other liquid.
2. Unplug from the outlet when not in use and before cleaning. Allow to cool before putting on or taking off parts.
3. Do not operate any outdoor cooking gas appliance with a damaged cord, plug, or after the appliance malfunctions or has been damaged in any manner. Contact the manufacturer for repair.
4. Do not let the cord hang over the edge of a table or touch hot surfaces.
5. Do not use an outdoor cooking gas appliance for purposes other than intended.
6. When connecting, first connect plug to the outdoor cooking gas appliance then plug appliance into the outlet.
7. Use only a Ground Fault Interrupter (GFI) protected circuit with this outdoor cooking gas appliance.
8. Never remove the grounding plug or use with an adapter of 2 prongs
9. Use only extension cords with a 3 prong grounding plug, rated for the power of the equipment, and approved for outdoor use with a W-A marking.

## **If The Grill Fails To Light Properly:**

1. Turn gas off at source and turn the control knob to OFF. Wait at least five minutes for gas to clear, then retry.
2. Check gas supply and connections.
3. Repeat lighting procedure. If your grill still fails to operate properly, turn the gas off at source, turn the control knobs to OFF, then check the following:

- Misalignment of burner tubes over orifices

**Correction:** Reposition burner tubes over orifices.

- Obstruction in gas line

**Correction:** Remove fuel line from grill. Do not smoke! Open gas supply for one second to clear any obstruction from fuel line. Close off gas supply at source and reconnect fuel line to grill.

- Plugged orifice

**Correction:** Remove burners from grill by pulling cotter pin (beneath burner) using a screwdriver or pliers. Carefully lift each burner up and away from gas valve orifice. Remove the orifice from gas valve and gently clear any obstruction with a fine wire. Then reinstall all orifices, burners, cotter pins and cooking components.

If an obstruction is suspected in gas valves or gas valve bracket, please call our customer service center or a Barbeques Galore store for assistance.

- Disconnected Ignition Wires

**Correction:** Inspect the Ignitor junction box found behind the Control Panel. Connect loose Ignitor wires to junction box and try to light the grill.

- Weak AA battery

**Correction:** Unscrew the Ignitor Cap and replace the battery.

4. If the grill still does not light you may need to purge air from the gas line or reset the regulator excess gas flow device. **Note:** This procedure should be done every time a new LP gas tank is connected to your grill.

### **To purge air from your gas line and/or reset the regulator excess gas flow device:**

- Turn the control knobs to the OFF position.
  - Turn off the gas at the tank valve.
  - Disconnect regulator from LP gas tank.
  - Let unit stand for 5 minutes.
  - Reconnect regulator to the LP gas tank.
  - Turn the tank valve on slowly until 1/4 to 1/2 open.
  - Open the Grill Lid.
  - Set control knobs to OFF and open the LP gas tank valve.
  - Push and turn the LEFT control knob to HIGH.
5. If all checks or corrections have been made and you still have questions about operating your gas grill, call Customer Service at (800) 752-3085.

---

### **WARNING**

**Should a "FLASH-BACK" fire occur in/or around the burner tubes, follow the instructions below. Failure to comply with these instructions could result in a fire or explosion that could cause serious bodily injury, death, or property damage.**

- Shut off gas supply to the gas grill.
- Turn the control knobs to OFF position.
- Put out any flame with a fire extinguisher.
- Open grill lid.
- Once the grill has cooled down, clean the burner tubes and burners according to the cleaning instructions found on page 5 in this manual.

## Lighting Your Grill by Match

1. To light your gas grill by match, open the hood and light a match. Turn the left main burner control knob to the High setting to release the gas while holding the lit match over the lighting tube as shown in **Figure 32**

2. To light Infrared burner by match, insert a match into the Lighting stick and follow steps 1 through 3 of the Infrared burner lighting instructions. then, light the match and place lighting stick through the Cooking Grid as shown in **Figure 33** Turn the left Infrared burner control knob to "HIGH" to release gas. The burner should light immediately.

The burner should light within 5 seconds. If it fails to light, turn the valve off and wait 5 minutes before attempting to manually light the burner again.

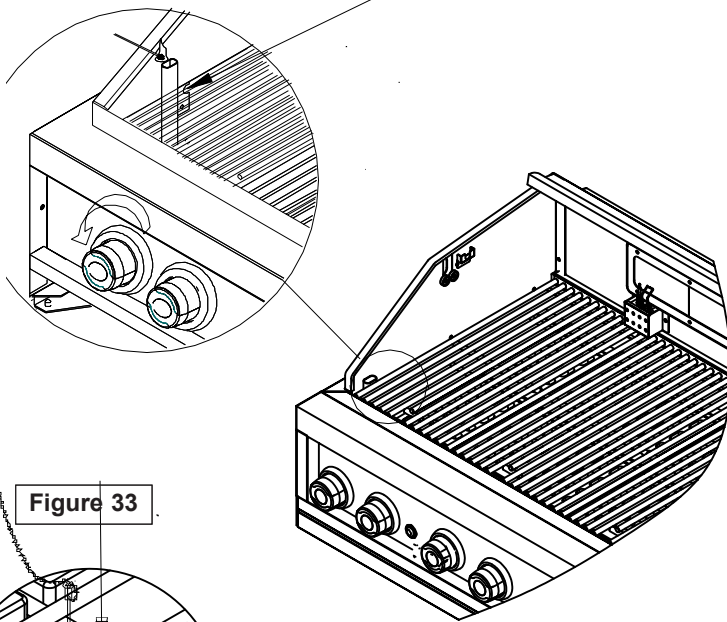
Occasionally observe the burner flame for correct operation. Once the left main burner is alight, the adjacent burner can be turned on and it will cross light off the operating burner. Repeat for each burner in turn.

### **WARNING**

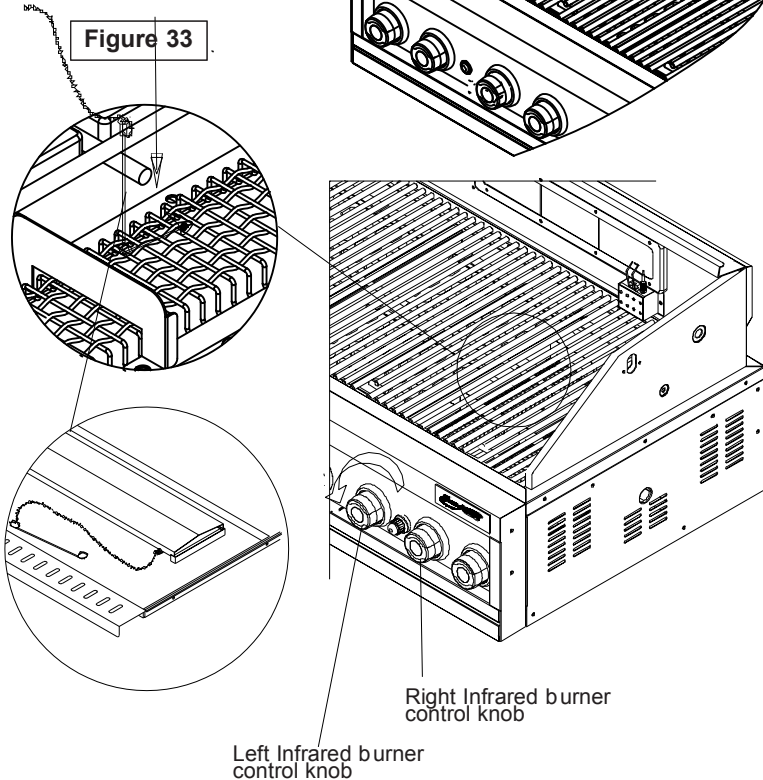
**Never** lean over the grill cooking area while lighting your gas grill. Keep your face and body a safe distance (at least 18 inches) from the lighting hole or burners.

**Figure 32**

MATCH LIGHT TUBE



**Figure 33**



!
CAUTION
!


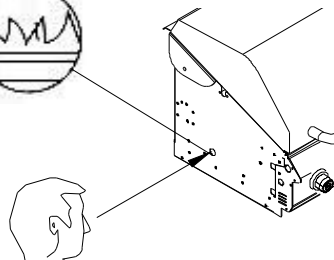
**Failure to comply with these instructions may result in a hazardous situation which, if not avoided, may result in injury.**

Keep grill area clear and free from combustible materials, gasoline and other flammable vapors and liquids.

Do not obstruct the flow of air for combustion and ventilation.

Keep the ventilation openings of the tank enclosure cabinet free and clear of debris.

After completing each burner lighting procedure, visually check burner flame pattern as shown below.

**MAGNIFIED VIEW OF BURNER FLAME THROUGH LIGHTING HOLE**

## DO S & DON TS

### DO..

- ✓ Have propane cylinder (LP units) filled by authorized LP supplier.
- ✓ Record your grill model number on your instructions and keep the instructions and parts list in a convenient place.
- ✓ Check all gas line connections for leaks with soapy solution prior to lighting, tighten until bubbles disappear.
- ✓ Raise the hood before lighting the burner.
- ✓ Preheat the grill 5 minutes maximum before cooking.
- ✓ After cooking, turn the grill off, then take a long handled soft brass bristle brush and brush off the cooking grills. Then turn off gas at the Propane tank or main valve.
- ✓ Use a mitt to turn off tank valve, it can get hot.
- ✓ Cook with hood down when possible. It is generally faster and more efficient. Trapped smoke adds to the flavor.
- ✓ Turn the gas off promptly should you be unable to light the grill immediately. Wait a full 5 minutes before attempting to light grill again.
- ✓ Have proper tools, tongs, mittens and hot pads ready prior to removing foods.
- ✓ Trim excess fats from meats to minimize flare-ups.
- ✓ Let the grill cool before removing any parts for cleaning.
- ✓ Be careful of the control valve setting. LP gas is hotter and the lower setting may be generally preferred.
- ✓ Cover the barbecue when not in use.
- ✓ Use a mitt or glove when opening BBQ lid or turning off Propane tank valve after use.



### DON T..

- ✗ Install grill closer than 14" on the sides or 16" on the back to any combustible construction.
- ✗ Attempt any adjustment of the regulator, it has been preset and tested.
- ✗ Allow the LP tank to lie on its side. Keep in an upright position.
- ✗ Turn a control knob on until a lighted match is inserted in the lighting hole.
- ✗ Use plastics or untempered glass utensils on the grill.
- ✗ Attempt to move an aluminum foil pan while it is hot. Let it cool first before moving it.
- ✗ Cover or block any air openings in the bottom of the grill with foil.
- ✗ Wear long, loose flowing clothing around the grill. Long flowing hair is also easily ignited especially by unexpected flare-ups. Tie hair back or wear a hat or a scarf.
- ✗ Put food on the grill and leave it unattended or unwatched for long periods. Most fats can catch fire even on the lower setting.
- ✗ Clean Flame Tamers in any solution other than a boiling detergent water. Then rinse well, dry and reuse.
- ✗ Use caustic materials, i.e., lye , to clean grill parts.
- ✗ Store any additional Propane gas tanks under barbecue.

When cooking with hood closed NEVER exceed temperatures of 480°F (250°C).

### WOOD CHIPS IN A GAS GRILL

Wood chips should be soaked for a minimum of 30 minutes. Presoaked chips or chunks must be in a container or wrapped in foil, log fashion, for use in gas grills.

If smoking is expected to last for a long period of time, you should keep chips soaking in the event you need to throw more on the fire or to add to the container or make another foil log.

## Cleaning and Maintenance

As with all appliances, proper care and maintenance will keep your grill in top operating condition and prolong its life. By following these cleaning procedures on a timely basis, your grill will stay clean and work properly with minimum effort.

### CAUTION:

Be sure your grill is OFF and cool before cleaning.

### Cleaning The Cooking Grids

Before initial use and periodically we suggest you wash your cooking grids in a mild soap and warm water solution. You can use a wash cloth or vegetable brush to clean your cooking grids.

### Cleaning The Flame Tamers

Periodically you should wash the Flame Tamers in a soap and warm water solution. Use a vegetable brush to remove stubborn burnt-on cooking residue.

### Cleaning The Grease Tray

To reduce the chance of fire, the Grease Draining Tray should be visually inspected before each grill use. Remove any grease and wash grease tray with a mild soap and warm water solution.

### Annual Cleaning of The Grill Interior

Burning-off the grill after every cookout will keep it ready for instant use. However, once a year you should give the entire grill a thorough cleaning to keep it in top operating condition. Follow these steps:

1. Turn all burner valves to the full OFF position.
2. Turn the LP gas tank valve to the full OFF position.
3. Detach the LP gas regulator assembly from your gas grill.
4. Remove and clean the flame tamers, cooking grids and grill burners.
5. Cover each gas valve orifice with aluminum foil.
6. Brush the inside and bottom of the grill with a stiff brass wire brush, and wash with a mild soap and warm water solution. Rinse thoroughly and let dry.
7. Remove aluminum foil from orifices and check each orifice for obstruction.
8. Check each spark electrode, adjusting as needed. The space between the Spark Electrode Tip and Spark Receiver should be approximately 3/16".
9. Replace the burners and adjust the gas collector box. The edge of the collector box should be overlapping the burner port.
10. Replace flame tamers and the cooking grids.
11. Reconnect the gas source and observe the burner flame for correct operation.

### Exterior Stainless Steel Surfaces:

Daily weathering and high heat associated with grill cooking can cause exterior stainless surfaces to "tan". Follow these directions for best results, and NEVER clean a hot grill.

1. Shut off gas supply at source and disconnect fuel line from gas valve manifold. Protect fuel line fitting.
2. Remove dirt or grease using a soft cloth, then polish stainless surfaces with a Foam Spray cleaner designed for stainless steel. Never use an abrasive cleaner or scrubber that may scratch your stainless surfaces.
3. Dry with a soft cloth and let air dry before restarting grill.

### VISUALLY CHECKING BURNER FLAMES

Occasionally observe burner flame for correct operation.

### Indirect Cooking

The indirect cooking method can also be used with the supplied cooking grids. To cook indirectly, the food should be placed on the left or right side of your grill with the burner lit on the opposite side. Or place your food on the secondary cooking rack mounted inside your grill bowl and light the outer grill burners. Either way, indirect cooking must be done with the lid down.

### Seasoning Cooking Grids

Before and after each cookout, apply a thin layer of cooking oil, spray or vegetable shortening to each cooking grid. Be sure to coat the entire surface including edges.

### Flare-Ups

The fats and juices dripping from grilled food can cause flare-ups. Since flare-ups impart a favorably, distinctive taste and color to food cooked over an open flame, they should be accepted up to a point. Nevertheless, uncontrolled flaring can result in a ruined meal.

### WARNING

Do not line the bottom of the grill housing with aluminum foil, sand or any substance that will restrict the flow of grease into the grease draining tray and receptacle. Failure to comply with these instructions could result in a fire or explosion which could cause serious bodily injury, death, or property damage.

## CONGRATULATIONS

Your Barbeques Galore gas grill is now ready to grill. Remember to keep the lid up when cooking directly on the grill. For most foods it's best to start grilling on high. Once the food is seared, reduce the heat to medium. Foods marinated with ingredients such as honey may burn because of the high sugar content. You should begin their cooking on medium. A favorite on the grill is sausages. Always cook them slowly and if they're particularly fatty, it may be best to partially boil them first.

## Frequently Asked Questions

**Question:** Who do I call with questions about grill assembly or if parts are damaged or missing from my shipping box?

**Answer:** Call the Customer Service Helpline 8am - 4:30pm PST, Monday through Friday, at 1-800-752-3085

**Question:** Can I convert my gas grill from one fuel type to another?

**Answer:** Your gas grill is manufactured to exact specifications and is approved by CSA for use with either LP or NG. For your own safety conversion kits are available from Barbeques Galore but they **MUST** be installed by a Barbeques Galore technician or a licensed plumber.

**Question:** Why doesn't the hose and regulator assembly supplied with my new gas grill fit the older LP gas tank I've used for years?

**Answer:** The U.S. Government regulates gas appliances and LP gas tanks. Whenever new regulations are passed the LP gas tank fittings are altered. If your current tank does not fit the hose and regulator supplied with your new grill, the tank is outdated and must be replaced.

**Question:** How do I season cooking grids?

**Answer:** Before and after each cookout, apply a thin layer of cooking oil, spray or vegetable shortening to each cooking grid. Be sure to coat the entire surface including edges.

**Question:** Sometimes my grill does not light when I push the ignitor button. Why?

**Answer:** Refer to the Lighting Instructions in this owner's manual. Also check these common causes. Ignitor AA battery may need replacing. Ignitor wires may be loose. Remove the AA battery, inspect the Ignitor junction box found behind the Control Panel, and connect any loose wires.

**Question:** What is the best way to protect my new gas grill from the weather?

**Answer:** A good quality grill cover should be used to protect your grill when not in use. Also, follow the cleaning and maintenance instructions in this owner's manual on a timely basis, and your new grill will give you years of enjoyment.

**Question:** Where can I buy replacement parts?

**Answer:** For the repair or replacement parts you need call 8am-4:30pm PST, 1-800-752-3085. Use only Barbeques Galore supplied parts. The use of any part that is not authorized can be dangerous and will also void your product warranty.

**Question:** Sometimes I hear a humming sound coming from my regulator. What causes this?

**Answer:** The humming noise is actually the gas flowing through the regulator. A low volume of noise is perfectly normal and will not interfere with the operations of the grill. If humming noise is loud and excessive you may need to purge air from the gas line or reset the regulator excess gas flow device. Note: This purging procedure should be done every time a new LP gas tank is connected to your grill. For help

with this procedure refer to page 11 step 4, or call the Customer Service Helpline, 8am - 4:30pm PST, Monday through Friday at 1-800-752-3085

## Cooking Instructions

### WARNING

Your grill will get very hot. Never lean over the cooking area while using your grill. Do not touch cooking surfaces, grill housing, grill lid or any other grill parts while the grill is in operation, or until the grill has cooled down after use. Failure to comply with these instructions may result in serious bodily injury.

### Burn-off

Before cooking on your gas grill for the first time, you will want to "burn off" the grill to eliminate any odor or foreign matter. Just ignite the burners, lower the lid, and operate grill on the HIGH setting for three to five minutes.

### CAUTION:

Operating your grill on the HIGH setting for longer than five minutes may damage certain parts of your grill. Do not leave your grill unattended.

### Preheating

To preheat, light your grill on HIGH, lower the lid and follow this timetable:

- For high temperature cooking, preheat grill 5 to 10 minutes.
- For low temperature cooking, preheat grill 3 minutes.
- To slow cook, preheating is not necessary.

### Cooking Temperatures

**High setting:** Only use this setting for fast warm-up, searing steaks or chops and for burning food residue off the grill after cooking is complete. Never use the HIGH setting for extended cooking.

**Medium to Low settings:** Most recipes specify medium to low settings, including all smoking, rotisserie cooking and for cooking lean cuts such as fish.

**NOTE:** Temperature settings will vary with the amount of wind and temperature outside your home.

### Direct Cooking

The direct cooking method can be used with the supplied cooking grids and food placed directly over the lit grill burners. Direct cooking requires the grill lid to be up. This method is ideal for searing and whenever you want meat, poultry or fish to have an open-flame barbecued taste. Deep frying and smoking are also best cooked in this manner because they require direct heat.

## Guide to Grilling Meat and Poultry with the Direct Cooking Method

### Grilling Steak and Ribs

Turn the grill burners on high, close the lid and preheat your grill 3 to 5 minutes. Open lid and place the meat on the cooking grid directly above the lit burners. Cook the meat on both sides until seared. Reduce the heat to medium and cook meat until done. Grilling times will vary according to meat thickness.

### Cut of Meat

T-bone steak  
Sirloin steak  
Beef spare ribs  
Porter house steak  
New York strip steak

### Approximate Cooking Times

**Rare:** 4-8 minutes  
**Medium:** 10-14 minutes  
**Well done:** 15-20 minutes

### Grilling Hamburger and Sausages

Turn the grill burners on high, close lid and preheat your grill 3 to 5 minutes. Open lid and place the meat on the cooking grid directly above the lit burners. Cook the meat on both sides until seared. Reduce the heat to medium and cook the meat until done. Grilling times will vary according to meat thickness.

Hamburgers  
Sausages

**Rare:** 4-6 minutes  
**Medium:** 8-10 minutes  
**Well done:** 10-15 minutes

### Grilling Poultry

Turn the grill burners on high, close lid and preheat your grill 2 to 3 minutes. Then raise the lid, reduce heat to medium and cook poultry directly over lit burners until done. Poultry skin is fatty so you should expect some flare-ups when using this direct method.

Chicken breast  
(cook with bone down)  
Chicken wings  
Drumsticks

**Direct method:**  
**approximately 15 minutes**

**Indirect method:**  
**up to 30 minutes**

To minimize flare-ups, try grilling poultry using the indirect method. Place the poultry on one side of the grill with the opposing burners on medium heat, and lower the grill lid. Grilling times will vary based on the size of your poultry.

Whole bird  
(cook with breast up)

**Indirect method:**  
**approximately 1 hour**

### Grilling Pork

Turn burners on high and preheat your grill 3 to 5 minutes with the lid down. Raise lid, place pork on cooking grid and cook until seared. Reduce heat to medium and cook until done. Grilling times will vary according to meat thickness.

Pork spare ribs  
Chops  
Loins  
Cutlets

**Rare:** 4-8 minutes  
**Medium:** 10-14 minutes  
**Well done:** 15-20 minutes

## Guide to Grilling Fish and Seafood with the Direct Cooking Method

### Whole Fish and Whole Fillets

Preheat your grill on HIGH for 2-3 minutes with the lid down. Raise lid and turn burners to medium heat. Place fish (skin down) on grill and cook over direct heat until done. Use cooking time as a guide or until fish is opaque but still moist.

### Cut of Meat

Whole fish  
Whole fish fillets

### Approximate Cooking Times

10 -12 minutes per pound or until fish is opaque

### Smaller Fish Fillets and Cubes

Follow the directions from above, using approximate cooking times shown at right. Place a small piece of aluminum foil on the cooking grids if the fish pieces are small enough to drop between the cooking grids.

Fish fillets  
Boneless cubes

4 - 5 minutes each side  
or until fish is opaque

## Guide to Grilling Vegetables and Fruit

Prepare your fruit or vegetables and brush with butter or basting sauce if desired. To cook indirectly, the food should be placed on the left or right side of your grill with the burner lit on the opposite side and the grill lid down. Or center your food on the secondary cooking rack and light the outer grill burners. Either way, **indirect cooking must be done with the lid down.**

In some instances, you may want to grill vegetables and fruit **directly** over the heat, using the supplied cooking grids or an optional griddle. Foods that work best with direct heat are relatively soft and require a short cooking time; mushrooms, zucchini, tomatoes and skewered fruit such as apricots, peaches, pineapple, strawberries and kiwis. Remember the **grill lid must remain up when cooking directly.** For very firm vegetables – particularly potatoes and yams, we recommend that you partially boil until almost cooked, before placing them on the grill.

Cooking times using the **indirect method** with the hood down will be similar to those for your kitchen oven. However, there are many factors such as outside temperature, wind conditions and location of grill that affect your grill performance so we suggest you watch the grill thermometer and adjust the heat accordingly.

Cooking times for foods prepared with the **direct method** will be much shorter mainly because of the direct heat source and softness of the food. Timing will be comparable to normal pan frying or grilling.

## Guide to Slow Roasting and Baking Techniques

### An Important Note About Heat Settings

The suggested heat settings shown are approximate. There are many factors such as outside temperature, wind conditions and grill location that affect your grill performance. We offer these cooking times as a convenience, but suggest you watch the grill thermometer and adjust the heat accordingly.

### Preparing to Roast

Roasting uses the indirect cooking method. Therefore, the food should be placed on the left or right side of your grill with the burner lit on the opposite side. Place your meat inside an optional roasting rack and cooking pan that allows you to collect juices for making gravy. You can also use the supplied cooking grid with an aluminum drip pan underneath. Either way, indirect cooking requires the lid of your grill to be closed.

Preheating your grill is not required for slow cooking methods such as roasting. If you do choose to preheat your grill before roasting, turn the burners on high and close lid for approximately 2-3 minutes.

### Food preparation

Trim meat of excess fat. Truss meat and poultry with cooking string to retain shape if desired. Bacon strips can be used to cover the outside surface of lean meat and poultry to help prevent it from drying out. Another method for keeping food moist during roasting is to put water in a cooking pan, then cover with foil. The foil should be removed for the first or the last part of the cooking time to ensure proper browning.

### Tips for roasting

Except when roasting with water in the roasting pan, the juices that collect in the pan can be used as the base for a tasty sauce or gravy. Place a cooking pan directly over the heat, add extra butter if needed, then add several spoonfuls of flour to thicken sauce. Finally, add sufficient chicken or beef stock to obtain the desired consistency. Once the meat is cooked, remove it from your grill and cover with a piece of foil. Allow it to stand for 10-15 minutes which allows the juices to settle. This will make carving easier and ensure a tender juicy roast.

Type of Food	How Cooked	Approximate Cooking Times
Beef	Rare	18 minutes per pound
	Medium	23 minutes per pound
	Well done	27 minutes per pound
Lamb	Medium	18 minutes per pound
	Well done	23 minutes per pound
Veal		27 minutes per pound
Pork		30-33 minutes per pound
Chicken		20-25 minutes per pound
Duck		25 minutes per pound
Fish		10 minutes per pound
Turkey, under 16 pounds		20-25 per pound + 30 minutes
Turkey, over 16 pounds		18-23 per pound + 15 minutes

### BAKING TECHNIQUES

From casseroles and cornbread to delicious deserts like fondue fruit skewers or crumb cake, baking on the grill is as easy as baking in the kitchen.

### Preparing to Bake

To bake in your new grill you'll need a baking dish or cast-iron cooking pan, and a pair of insulated cooking mitts. If the cooking pan is cast-iron be sure to season the pan before use.

Preheat your grill 3-5 minutes, then lower heat to achieve the baking temperature desired. Baking uses the **indirect cook-**

**ing** method. Therefore, your cooking pan should be placed on the left or right side of your grill with the burner lit on the opposite side.

### Tips for Baking

Prepare your favorite recipe as you would in the kitchen. Foods cooked in the grill for long periods of time should always be covered in aluminum foil to retain moisture. You will need to stir the food several times as it bakes, and add additional liquid if required.

Watch the temperature, and adjust to cook according to your recipe directions.

Oven Temperature	Recommended Grill Setting
Slow 300' – 340' F	Both outside burners on low
Moderate 355' - 390 F	One outside burner on high and the other outside burner on low
High 410' - 480' F	Both outside burners on high

## Guide to Rotisserie Cooking with the Back Burner

### Rotisserie Cooking

Rotisserie cooking produces foods that are moist, flavorful and attractive. The optional rotisserie system is most commonly used for cooking meat or poultry and is designed to cook food from the back burner using infrared heat. The location of the burner allows the placement of a cooking pan beneath the food to collect juices for basting and gravy. To flavor the contents of the cooking pan you may add herbs, onions, or other spices of your choice. The back burner is an infrared type, which provides intense searing radiant heat. The intense heat sears in the natural juices and nutrients found in quality cuts of meat.

The cooking times on a rotisserie will be approximately the same as for oven cooking.

### Balancing the Food

In rotisserie cooking, balancing the food is of utmost importance. The rotisserie must turn evenly or the stopping and starting action will cause the food to cook unevenly and possibly burn the heavier side.

The easiest foods to balance are those of uniform shape and texture. To test if the food is balanced correctly when secured, place the ends of the rotisserie spit loosely in the palms of your hands. If there is no tendency to roll, give the spit a quarter turn. If it is still stable, give it a final quarter turn. It should rest without turning in each of these positions. It can then be attached to your grill.

### Food Preparation

When preparing poultry, truss the birds tightly so that wings and drumsticks are close to the body of the bird. The cavity of the bird may be stuffed prior to this. Pull the neck skin down and, using a small skewer, fix it to the back of the bird. Push the rotisserie spit through lengthwise, catching the bird in the fork of the wishbone. Center the bird and tighten with the holding forks. Test the balance as described before.

A rolled piece of meat requires the rotisserie skewer to be inserted through the center of the length of meat, then secured and balanced.

For meats that contain bones, it is best to secure the rotisserie skewer diagonally through the meaty sections. If protruding bones or wings brown too quickly, cover with pieces of foil.

### Tips for Using The Back Burner

For back burner lighting instructions refer to **page 23** of this Owner's Manual.

The location of the back burner makes it more susceptible to winds that will decrease the performance of your rotisserie cooking. For this reason you should not operate the back burner during windy weather conditions.

For best results, always rotisserie cook with the grill lid down and the Back Burner control knob set to HIGH. Do not use the main grill burners when the Back Burner is in operation.

## Guide to Using the Smoker Box

### Preparing to Smoke

Smoking gives food a distinctive, delicious flavor. You will find a variety of wood chips or pellets available for use in smoking grilled foods. Pre-soaking of wood chips may be required so read and follow the manufacturer's instructions for preparation of smoking chips prior to filling the smoker box.

### Using The Smoker Box

Before lighting your grill, fill the smoker box with your prepared smoking chips. Dried herbs and spices may also be added to produce different flavors. Place the smoker box on the top of the Ceramic Rack, but below the Cooking Grid. Start your grill and follow your normal cooking procedure for the food you are cooking.

See instructions on **Page 27**, the heat will produce smoke and season the food.

### Tips for Smoking

You can reduce the strength of the smoke flavor by only smoking for half or three quarters of the cooking time. The heat required for smoking is normally low to medium.

Foods naturally high in oils lend themselves well to smoking, while drier foods benefit from a marinade. You can also rub the food with herbs, spices or flavored oils. Many foods can be smoked to produce stunning results with very little effort. Here are a few suggestions:

- **Tuna steaks**, marinated in Asian flavors of sesame oil, soy sauce and sherry.
- **Pork filets**, rubbed with ginger, orange rind and brushed with maple syrup.
- **Mussels**, brushed with lemon rind and chili oil.
- **Lamb cutlets**, marinated in virgin olive oil, lemon, oregano and black pepper. The same marinade can be used for a whole leg or rack of lamb.
- **Chicken**, boneless chicken pieces – especially sliced breasts.
- **Fish**, sliced filets of firm fish, assorted seafood such as prawns, scallops and calamari.
- **Pork**, sliced filets, diced or minced pork, sliced leg steak, sliced chops.
- **Beef**, sliced fillet, rib-eye, round, rump, sirloin
- **Lamb**, sliced fillet, round, loin.

## Guide to Stir-Frying and Deep-Frying

### STIR-FRYING TECHNIQUES

This method of cooking is popular around the world and can be easily accomplished outdoors on your Grand Turbo gas grill. It's a quick and healthful way of preparing a complete meal using meat, poultry or seafood in infinite combinations with other interesting ingredients like vegetables, rice or noodles.

#### Preparing to Stir-fry

Although it is possible to stir fry in other dishes, the wok is your best tool. Its high sides enable the cook to stir food without spillage. Its construction allows you to cook quickly at high temperatures, with instant control of heat which is essential for successful stir frying.

#### Food preparation

Slice meat and poultry into long thin strips and cube fish fillets. Remove all fat from meat and poultry and cut large vegetables into even slices or cubes.

Marinate foods for extra flavor and tenderness. Marinating times will vary for red meat, fish and or various cuts. Less tender cuts of meat should be marinated longer. Remember to always chill marinating food in the refrigerator prior to cooking.

Stir-fry meats, poultry or fish first. Next, add hard vegetables like carrots. Then continue with softer vegetables like snowpeas and peppers. To ensure even cooking, continually stir and toss the food in the wok using a wooden spoon or spatula.

#### Tips for Stir-frying

Place the wok directly over a high heat on your grill. Add only a small amount of food at a time to ensure fast cooking and also to allow the wok to reheat between ingredients.

### DEEP-FRYING TECHNIQUES

A wide variety of foods can be deep-fried outdoors on your grill, from potatoes, to seafood and chicken. Deep-frying uses a large portion of oil, preferably saturated. The outdoor location is ideal for deep-frying as smoke, grease and smells reach for the sky – not the ceiling of your kitchen.

#### Preparing to Deep-fry

Deep-fry on your grill using a cooking pan or wok, over direct heat with the grill lid raised.

Fill the cooking pan no more than half full of vegetable or corn oil. Start with low heat, then raise the heat gradually. Check the temperature of the oil carefully with a frying thermometer or test with a cube of bread. The cube of bread should brown in about 30 seconds for most cooking needs. A temperature between 350 and 400 degrees is optimal for preparing the majority of deep-fried foods.

#### Food Preparation

Foods being deep-fried taste better when coated with either batter or breadcrumbs to add flavor and prevent moisture from escaping.

#### Tips for Deep-frying

Wear an insulated cooking glove and slowly lower foods into the hot oil using a wire scoop or stainless steel tongs. Add only a small quantity of food to the oil, allow it to cook, then repeat with another small quantity. This ensures the oil doesn't drop in temperature. Once the food is cooked, remove it carefully and drain onto a paper towel. Turn the heat off as soon as you have finished deep-frying and allow the pan to cool. When the oil is cool, remove all remnants of fried foods by straining it through a fine metal sieve. Once the oil is quite cool, store it in a clean bottle for future use.

## Guide to Using the Secondary Cooking Rack

Vegetables are generally easy to cook on the grill. The cooking rack makes it convenient because you can still use the main cooking area while the vegetables are suspended above the grids.

Pre-cook hard vegetables by briefly boiling or microwaving them before cooking on the grill. Wrap vegetables in a double thickness of foil to protect them while cooking on the grill. Then, remove the foil if desired, 10-15 minutes before the end of cooking, brush vegetables with butter or oil and finish cooking.

The cooking rack can be used for purposes other than just the obvious. Consider using it for warming French bread, garlic bread, croissants or even bagels. A small whole fish wrapped in foil also cooks well in the cooking rack. Parcels of seafood such as scallops, prawns and sliced fish fillets prepared in a sauce and portioned into small foil wraps cooks well this way, too.

## RECIPES

### ONION BURGERS

A honey and mustard sauce glazes the onion slices as they cook alongside these delicious burgers. For optimal sweetness, select Vidalia or Walla Walla onions. **Makes 4 open face burgers.**

#### **Ingredients**

- 2 large sweet onions, sliced (12 to 16 ounces)
- 2 tablespoons margarine or melted butter
- 2 teaspoons dry mustard
- 2 teaspoons honey
- 1 pound lean ground beef
- 1/4 teaspoon salt
- 1/8 teaspoon pepper
- 4 slices Texas toast
- 4 lettuce leaves
- 4 tomato slices

#### **Preparing Onions**

Place onions in a cooking pan or on a small piece of aluminum foil. Combine melted margarine, mustard and honey, then drizzle over onions. Cover pan with lid or fold up edges of foil and seal with double fold to completely enclose onions – leaving space for steam to build. Place pan or foil packet on grill directly over medium heat for 15 minutes with the grill hood up.

#### **Preparing Burgers**

While onions are cooking, combine ground beef, salt and pepper in a medium bowl and mix well. Shape mixture into four 3/4 inch burger patties and add to grill, directly over heat. Grill burgers along with onions for about 5 minutes, then turn burgers. Grill for 8 to 10 minutes more or until no pink remains in meat, and onions are tender. To serve, toast both sides of Texas toast on grill. Then top each slice of Texas toast with a burger, lettuce, tomato and onion. Sprinkle with pepper if desired.

---

### DOUBLE SALSA BURGERS

A fresh tomato salsa flavors the beef mixture for a zesty tasting burger. The salsa also serves as a colorful topping. **Makes 6 burger patties.**

#### **Ingredients**

- 1 large tomato, seeded and finely chopped
- 1/2 cup finely chopped green pepper
- 1/4 cup finely chopped red onion
- 2 finely chopped, seeded jalapeno peppers
- 1 garlic clove, minced
- 1 tablespoon snipped cilantro
- 1/4 teaspoon salt
- 1-1/2 pounds lean ground beef
- 2 cups shredded lettuce
- 1/3 cup finely shredded cheddar cheese
- 1/4 cup dairy sour cream and /or guacamole

#### **Preparing the Salsa**

Combine tomato, green pepper, onion, jalapeno peppers, garlic, cilantro and salt in a bowl. Set aside 2 tablespoons of salsa. Cover and chill remaining salsa until serving time.

#### **Preparing Burgers**

In another bowl, combine ground beef with 2 tablespoons of reserved salsa, mix well. Shape mixture into six 1/2 inch thick burgers and place on the grill directly over medium heat with hood up. Grill for 13 to 15 minutes or until no pink remains. Turn burgers once, halfway through grilling time. Arrange the shredded lettuce on individual plates. Top lettuce with a burger, cheddar cheese and salsa. Serve with sour cream and/or guacamole.

## **CHICAGO STYLE HOT DOGS**

Serve these hot dogs "Chicago-style" with pickled peppers! **Makes 4 servings.**

### **Ingredients**

- 1/3 cup ketchup
- 1/4 cup chopped pickled peppers
- 2 tablespoons pickle relish
- 2 tablespoons chopped onion
- 1/4 teaspoon poppy seed
- 4 fully cooked 4-ounce jumbo hot dogs
- 4 hot dog buns

### **Preparing the Relish**

Combine ketchup, chopped pickled peppers, relish, onion and poppy seed in a small bowl, then set aside.

### **Preparing Hot Dogs**

Place hot dogs on grill directly over medium heat 5 to 8 minutes with the lid up. Turn hot dogs and brush with some of the relish mixture. Grill hot dogs 6 to 8 minutes more or until thoroughly cooked.

### **To Serve**

Toast inner sides of hot dog buns on grill. Serve hot dogs inside buns and top with remaining relish mixture.

---

## **RIB EYE STEAKS WITH GRILLED GARLIC**

As they cook, the garlic cloves mellow in flavor, making a delicious sauce for any grilled meat. And for an appetizer, spread the softened cloves over toasted slices of french bread! **Makes 4 servings.**

### **Ingredients**

- 1 whole head of garlic
- 2 tablespoons olive oil or cooking oil
- 1 tablespoon snipped fresh basil, or 1/2 teaspoon dried basil, crushed
- 1 tablespoon snipped fresh rosemary or 1/2 teaspoon dried rosemary, crushed
- 2 twelve-oz. boneless rib eye steaks

### **Preparing the Garlic**

Use a cooking pan or tear off a 24x18-inch piece of aluminum foil and fold long length in half, then trim to make a 12-inch square. Remove the outer layer of garlic head, then cut off and discard the top 1/2-inch of garlic head to expose the garlic cloves. Place garlic head in center of a cooking pan or in center of foil with all sides of the foil folded up around the garlic to form a cup. Drizzle garlic with oil and sprinkle with basil and rosemary. Cover pan or twist the ends of the foil to completely enclose the garlic.

### **Preparing Steaks**

Place steaks and the garlic pack on grill directly over medium heat and cook about 7 minutes with the lid up. Turn steaks and grill for 5 to 8 minutes more, or until cooked to taste. Then remove steaks and place on platter. Remove garlic and drizzle its juices over your steak. Remove the softened garlic cloves and spread over your steak. Season with salt and pepper as desired and cut into serving-size pieces.

## **HERB-PEPPER SIRLOIN STEAK**

The hearty beef flavor is complemented with a delicious herb coating! **Makes 6 servings.**

### **Ingredients**

- 2 tablespoons ketchup
- 1/2 teaspoon coarsely ground pepper
- 1-1/2 teaspoons snipped fresh rosemary or 1/2 teaspoon dried rosemary, crushed
- 1-1/2 teaspoons snipped fresh basil or 1/2 teaspoon dried basil, crushed
- 1/8 teaspoon garlic powder
- 1 1-1/2-pound boneless beef sirloin steak, cut 1-inch thick

### **Preparation**

Combine ketchup, pepper, rosemary, basil and garlic powder. Coat both sides of steak with mixture. Grill steak with hood up, directly over medium heat for 6 minutes. Turn steak and grill for 8 to 12 minutes more or until cooked as desired. Cut into serving size pieces.

---

## **BARBECUED RIBS**

Serve this tangy barbecue classic with corn-on-the-cob, green salad, potato salad or coleslaw! **Makes 4 servings.**

### **Ingredients**

- 2 pounds American style pork spareribs
- 1/2 cup barbecue sauce
- 1/2 cup tomato sauce
- 2 cloves garlic, crushed
- juice of 1 lemon
- few drops of tabasco sauce

### **Preparation**

Place ribs into a large glass or ceramic dish. Combine remaining ingredients and pour over the ribs. Refrigerate for several hours.

Preheat your grill 3 minutes and place the ribs on cooking grid. Cook indirectly, over a low to medium heat until cooked. During the last few minutes of cooking you can cook the ribs over a direct fire for added barbecue flavor and texture.

## **MARINATED TUNA STEAK**

Experiment with unique dishes, like this tuna steak recipe boasting a delicious wine marinade! **Makes 4 servings.**

### **Ingredients**

- 4 6-ounce fresh or frozen tuna steaks cut 1 inch thick. Thaw fish if frozen
- 1/3 cup dry white wine
- 1 tablespoon lemon juice
- 1 tablespoon olive oil or cooking oil
- 1 clove garlic, minced
- 2 teaspoons snipped fresh rosemary, crushed, or 1/2 teaspoon dried rosemary, crushed
- 1 teaspoon snipped fresh oregano, crushed, or 1/4 teaspoon dried oregano, crushed
- 1/4 teaspoon salt

### **Preparation**

Combine wine, oil, garlic, rosemary, oregano and salt. Place tuna steak in plastic bag and into shallow dish, add marinade then seal bag. Rotate bag to coat fish well then chill for up to 2 hours, turning fish once.

Remove fish from bag and discard marinade. Place a cooking pan with baking rack or roasting rack into center of grill with outer burners on medium heat. Cook tuna steak on top of rack with lid down for 8 to 12 minutes or until fish begins to flake easily. Turn fish once during cooking. When cooked, remove fish from grill and serve.

---

## **MUSTARD-GLAZED HALIBUT STEAKS**

A simple sauce of melted margarine, lemon juice, Dijon-style mustard and basil adds a scintillating note to these sizzling fish steaks! **Makes 4 servings.**

### **Ingredients**

- 4 6-ounce fresh or frozen halibut steaks, cut 1 inch thick
- 2 tablespoons margarine or butter
- 2 tablespoons lemon juice
- 1 tablespoon Dijon-style mustard
- 2 teaspoons snipped fresh basil or 1/2 teaspoons dried basil, crushed

### **Preparation**

Combine thawed fish, margarine or butter, lemon juice, mustard and basil into a cooking pan or aluminum foil rectangle, and cook directly over low flame until melted. Brush mixture over both sides of halibut fish steaks. Pour balance of mixture into small bowl.

Place clean cooking pan or foil on center of grill with both outer burners on medium. Place fish on grill and close lid. Cook indirectly for 8 to 12 minutes or just until fish begins to flake easily, turning once and brushing as needed with remaining mixture.

## **ALMOND COATED TROUT**

This delicious recipe is unique and easy to prepare on your gas grill. **Makes 4 servings.**

### **Ingredients**

- 2 trout
- 1/2 cup all purpose flour
- 1 egg, lightly beaten
- 1 cup sliced almonds
- 1/3 cup Parmesan cheese, grated olive or peanut oil for frying

### **Preparation**

Remove the head and tail from trout and fillet all bones. Cut each fish in half to form 4 long fillets. Coat fish in flour, dip in egg and roll in almonds. Refrigerate for 1 hour.

Fill a cast-iron pan with 1 to 2 inches of oil, and place over high heat. Cook trout until golden brown. Drain oil, sprinkle trout with Parmesan cheese and serve right from the grill.

---

## **SOUTHWEST CHICKEN BREASTS**

This popular recipe can also be a grilled chicken salad! Slice chicken into small strips and place them on top of shredded lettuce with avocado dressing and top with cheese! **Makes 6 servings.**

### **Ingredients**

- 1/4 cup dry white wine
- 2 tablespoons olive oil or cooking oil
- 2 teaspoons snipped fresh tarragon or 1/4 teaspoon dried tarragon, crushed
- 1/4 teaspoon salt
- 6 skinless, boneless chicken breast halves
- 2 avocados, pitted, peeled and chopped
- 1 tomato, chopped
- 1 clove garlic, minced
- 2 tablespoons finely chopped seeded green chili peppers of your choice
- 2 green onions, finely chopped
- 1 tablespoon snipped fresh cilantro
- 1 tablespoon honey
- 1 tablespoon lemon juice

### **Preparing the Chicken**

Combine wine, oil, tarragon and salt. Rinse chicken and dry with paper towels. Place chicken in plastic bag and into shallow dish – then add marinade and seal bag. Rotate chicken to coat well and chill up to 24 hours, turning bag occasionally.

### **Preparing the Avocado Dressing**

Combine avocados, tomato, garlic, chili peppers, onions, cilantro, honey and lemon juice. Toss well then cover and chill up to 2 hours.

### **Grilling the Chicken**

Remove the chicken from plastic bag and reserve the marinade. Grill chicken directly over medium heat with lid up for 5 minutes. Turn chicken and brush with marinade, then grill for 5-10 minutes more or until chicken is no longer pink. Serve with side of avocado dressing.

## **BARBECUED CHICKEN**

Another backyard favorite, this recipe includes an easy to make, sweet and spicy sauce. **Makes 4 servings.**

### **Ingredients**

1/2 cup ketchup  
1/4 cup orange marmalade  
1 tablespoon vinegar  
1/2 teaspoon celery seed  
1/2 teaspoon chili powder  
1/4 to 1/2 teaspoon bottled hot pepper sauce  
1 2-1/2 to 3 pound broiler-fryer chicken, pre-cut

### **Preparing the Sauce**

Combine ketchup, marmalade, vinegar, celery seed, chili powder and hot pepper sauce in a cooking pan, and cook directly over a low to medium heat. Leave the cooked sauce in the pan and remove from heat until chicken is prepared.

### **Preparing the Chicken**

Wash chicken and dry with paper towels. Turn outside burners on medium and place pre-cut chicken pieces (bone side down) in center of grill. Close lid and cook indirectly for 1 hour or until chicken is no longer pink. Brush occasionally with sauce. Remove chicken from grill once cooked, then place cooking pan with sauce into center of grill and reheat. Pour warmed sauce over chicken and serve.

---

## **TRADITIONAL HOLIDAY TURKEY**

Imagine everyone's surprise when you serve your next holiday turkey – complete with dressing – delicious and tender straight from the grill! **Serves 8 -10**

### **Ingredients for Turkey**

8- 10 pound whole turkey  
4 ounces butter, softened  
2 tablespoons chopped thyme  
2 tablespoons lemon juice  
2 teaspoons grated lemon rind

### **Ingredients for Dressing**

2 ounces butter  
2 onions, finely chopped  
8 ounces bacon, chopped  
2 tablespoons port wine  
1/4 cup red wine  
2 chicken stock cubes  
4 ounces chopped cashews, hazelnuts or pecans  
1/2 cup chopped celery  
1/2 cup chopped carrot  
1 - 1 1/2 cups fresh white breadcrumbs  
1 egg, lightly beaten  
- salt and pepper to taste

### **Preparing the Dressing**

Prepare dressing in a cooking pan directly over medium heat. Melt butter, add onions and bacon then saute 3 minutes. Add port, red wine and stock cubes and bring to a boil. Cook 2 minutes. Remove pan to allow ingredients to cool. Add remaining ingredients and mix.

### **Preparing the Turkey**

Although not required, you may want to preheat your grill 3 minutes.

Wash inside of turkey and dry with paper towels. Pack breadcrumb seasoning into the turkey cavity. Combine the butter, thyme, lemon juice and rind together in a bowl. Using turkey baster, insert butter mixture under skin covering the turkey breast.

Truss the turkey with string and place it on a baking pan or roasting rack that rests into a cooking pan. Remove the cooking grids from your grill if necessary, then place the cooking pan and turkey in the center of your grill. Turn one outside burner to low, the other to medium, and close lid. Cook indirectly for 3 1/2 to 4 hours or until cooked. Halfway through cooking time you may alternate burner temperatures so that the turkey browns evenly. Once cooked, remove dressing from cooked turkey, slice and serve.

## **PIZZA ON THE GRILL**

You may never want to call out for pizza again! Follow this pizza dough recipe, or purchase ready-made pizza dough found in your grocers refrigerated section – next to the biscuits. Slice and serve directly from the grill. **Serves 6 - 8**

### **Ingredients**

- 1-1/2 teaspoons dried yeast
- 1 cup lukewarm water
- 1/2 teaspoon sugar
- 3 tablespoons olive oil
- 3 cups all purpose flour
- 1/4 cup tomato paste or Italian tomato sauce
- 6 ounces sliced pepperoni
- 1 red pepper, roasted and sliced
- 3/4 cup pitted black olives
- 8 ounces grated mozzarella cheese

It's easy to customize this recipe with toppings to suit your family's taste. For spicier crust, lightly rub the dough with olive oil then spice with pepper and garlic salt before spreading your tomato sauce.

### **Preparing the Pizza Dough**

Combine yeast, water and sugar together and let stand in a warm place until mixture starts to foam. Add this yeast mixture to flour and oil and combine to form your pizza dough. Knead on a lightly floured surface until smooth and elastic. Cover and stand in a warm place until doubled in size. Knock back dough and roll out to a rectangle the size of your cooking pan or baking dish. Place dough into a lightly oiled pan.

If you purchased a ready-made pizza dough, simply open can and roll dough into a lightly oiled cooking pan.

### **Preparing the Pizza**

Spread tomato paste or Italian tomato sauce on top of your pizza dough. Top with pepperoni, red peppers, olives, and lastly, mozzarella cheese. Or if you prefer, you may place cheese first with toppings on last.

Place cooking pan in center of grill and cook indirectly, with one outside burner on high and the other on low, for approximately 20 minutes or until bottom of crust is light brown. Lastly, raise the lid and finish cooking pizza by turning burner under the cooking pan on high for about 2 minutes. This will insure the center of pizza gets brown. Then turn off heat, slice and serve directly from pan.

---

## **FRESH VEGETABLE STIR-FRY**

Take a trip to the Orient with this easy, and healthy vegetable recipe. **Makes 4 - 6 servings.**

### **Ingredients**

- 2 tablespoons oil
- 1 onion, cut into wedges
- 1 carrot, thinly sliced
- 2 cups broccoli, cut into small flowerets
- 1 red pepper, sliced
- 2 sticks celery, thinly sliced
- 1 cup snow peas
- 1/2 cup chicken broth

### **Preparation**

Heat oil in a wok or saute pan, directly over a high heat. Add onion and cook 1 minute. Add carrot and broccoli and stir-fry 2 minutes, then add red pepper, celery and snow peas and continue cooking 1 minute more. Add chicken broth and toss vegetables until cooked to desired doneness.

## **ONION BLOSSOMS**

Great served as a snack, or to dress up barbecued meats, poultry or fish. **Makes 4 servings.**

### **Ingredients**

- 4 medium sweet onions (4-5 ounces each)
- 1 tablespoons margarine or butter, melted
- 1 teaspoon Dijon-style mustard
- 1/8 teaspoon hot pepper sauce
- 1 tablespoon brown sugar
- 1 pepper (optional)

### **Preparation**

Peel onions, then cut almost completely through each onion, forming 8 wedges. Onion will be loose, but still be intact. Prepare four 12-inch squares of aluminum foil. Place one onion in the center of each foil square.

Stir margarine (or butter) with hot pepper sauce and drizzle over onions. Sprinkle with brown sugar. Then bring up two sides of foil square and double fold. Bring remaining corners up and completely enclose – leaving enough space for steam to build.

Place wrapped onion blossoms on grill, directly over medium heat. Close lid and cook 15 to 25 minutes or until onions are nearly tender. Make a 2-inch opening at the top of each onion wrapping, then close lid and cook 5 to 10 minutes more, or until onions are lightly browned. Sprinkle with pepper if desired and serve warm.

---

## **GRILLED POTATO SKINS**

Serve these crispy potatoes as a snack or side dish. We've included microwave instructions for a timesaving short cut. **Makes 12 servings.**

### **Ingredients**

- 6 baking potatoes (about 8 ounces each)
- 3 tablespoons margarine or butter, melted
- 1/2 cup picante sauce
- 1 cup shredded cheddar cheese (4 ounces)
- 3 slices bacon, crisp-cooked and crumbled or use prepackaged bacon bits
- 1 chopped tomato (optional)
- 1 diced green onion (optional)
- 1/2 cup sour cream (optional)

### **Preparation**

Puncture clean potatoes with a fork, wrap in aluminum foil and place directly over low to medium heat. Close lid and cook directly for 1 hour or until center is tender. OR - Microwave clean, punctured potatoes on high for 15 to 20 minutes, or until center tender. Allow cooked potatoes to cool then unwrap and discard foil.

Cut potatoes in half - lengthwise. Scoop out potato pulp (serve separately or discard.) Be sure to leave 1/4-inch thick potato shell remaining. Brush the inside of each potato shell with melted margarine. Spoon 2 teaspoons picante sauce into each potato shell, sprinkle with cheese and top with bacon.

Place prepared potato skins on grill, directly over medium heat. Close lid and cook for 8 to 10 minutes or until potato skins are crisp. Sprinkle each potato skin with tomato and green onion and then top with sour cream, if desired.



*America's Largest Chain of Barbecue Stores*



## Owner's Manual Stainless Steel Rotisserie

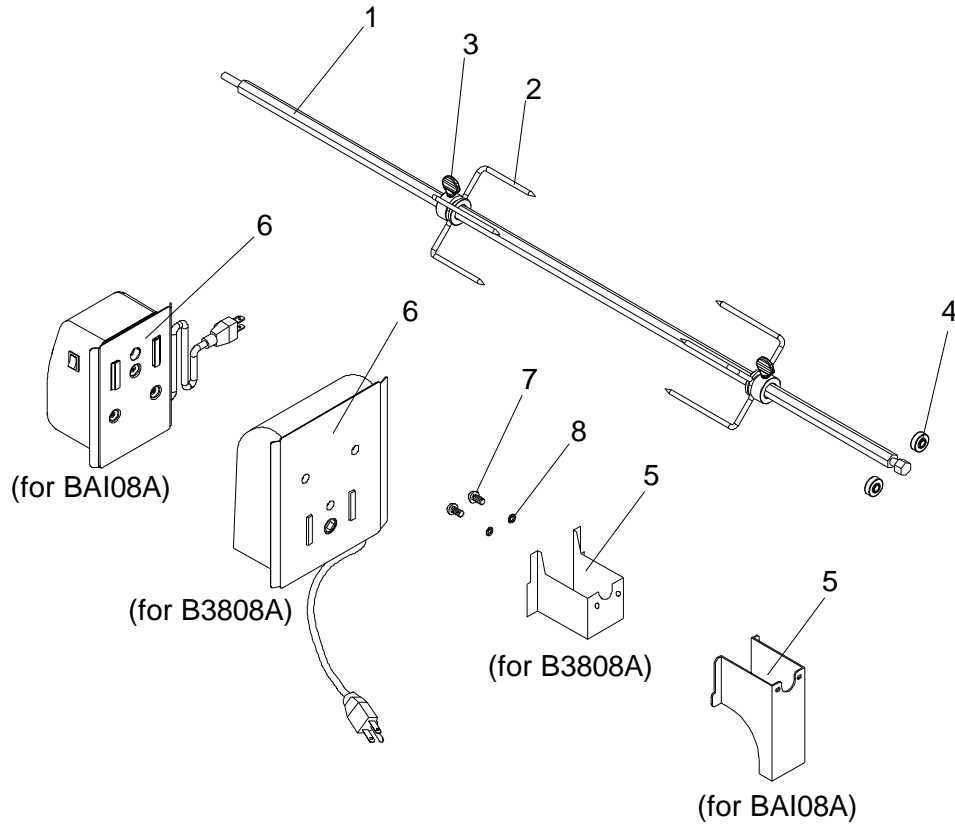
### Important Safeguards

When using electrical appliances, basic safety precautions should always be used, including the following:

1. Read all instructions before initial use.
2. Always attach the assembled Rotisserie to your grill first, then plug the Cord into an outlet. To disconnect, turn the Rotisserie "OFF" then remove the Plug from outlet.
3. Most grill surfaces and Rotisserie parts are hot during and after cooking, so use reasonable care around your grill and wear protective mitts. Only maneuver the Rotisserie by its Handle.
4. To protect against electrical shock, do not immerse Electrical Cord, Plug or Motor in water or expose to rain. Protect electrical cord from burners, hot grill surfaces and grease.
5. Do not operate the Rotisserie if the cord or plug becomes damaged, or if the Rotisserie malfunctions or has been damaged in any manner.
6. Do not let children operate your grill or Rotisserie, and do not let children play nearby.
7. Unplug the Rotisserie from electrical outlet when not in use and before cleaning. Allow to cool before adding or removing parts. When the Rotisserie is not in use, store it indoors in a dry place.
8. The use of accessory attachments is not recommended by the manufacturer and may cause injuries. Do not use this Rotisserie for other than intended use.
9. When rotisserie cooking place a Cooking Pan under the food to be cooked. This will capture the drippings and keep your grill clean of excess grease which could cause a fire. Use caution when moving a Cooking Pan containing hot oils.
10. Should a grease fire occur, turn the burners and gas off and leave the grill lid CLOSED until the fire is out.
11. The Rotisserie Motor is set for 110/120V, 60 Hz AC current.
12. This Rotisserie is for use outdoors only, on the Grand Turbo gas grills as described in the following instructions.

**Save this Owner's Manual for future reference**

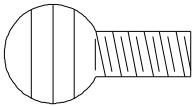
## B3808A,BAI08A Rotisserie Assembly Parts Diagram



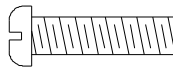
## Rotisserie Assembly Parts List

REF#	DESCRIPTION	B3808A PART#	B3808A QTY	BAI08A PART#	BAI08A QTY
1	Rot. Spit	P05508182A	1	P05508183A	1
2	Rot. Holding Fork	P05508077A	2	P05508046A	4
3	Rot. Thumbscrew 1/4"x1/2"	S196G04081	2	S196G04081	4
4	Roller	P05508181A	2	P05508181A	2
5	Rot. Motor Bracket	P03308002A	1	P03308006C	1
6	Rot. Motor/AC	P07101031B	1	P07101027B	1
7	Rot. Phillips Head Screw 3/16"x1/2"UNC	S112G03084	2	S112G03084	2
8	Rot. Plain Washer 3/16"	S411G03064	2	S411G03064	2

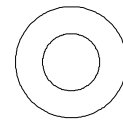
## Hardware for Rotisserie



Rot. Thumbscrew 1/4"x1/2"  
Qty. 2 (B3807A)  
Qty. 4 (BAI07A)  
Ref. #S196G04081



Rot. Phillips Head Screw  
3/16"x1/2" UNC  
Qty. 2  
Ref. #S112G03084

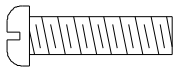


Rot. Plain Washer 3/16"  
Qty. 2  
Ref. # S411G03064

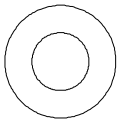
**Grill Information Center:** If you have questions about assembly or grill operation, or if there are damaged or missing parts when you unpack this unit from the shipping box, call us Monday through Friday at: **1-800-752-3085**

# Rotisserie Instructions

1. Remove all components from the carton.
2. Attach the Motor Bracket on the outside of the right grill bowl panel. Align the two holes of the Bracket with the threaded holes on the grill bowl. Tighten securely using two 3/16"x1/2" UNC Phillips Head Screws and Plain washers provided.

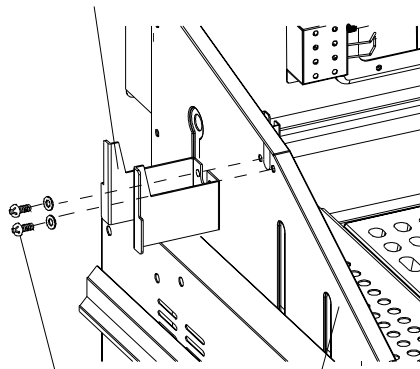


Rot. Phillips Head Screw  
3/16"x1/2" UNC  
Qty. 2  
Ref. #S112G03084



Rot. Plain Washer 3/16"  
Qty. 2  
Ref. # S411G03064

Motor Bracket

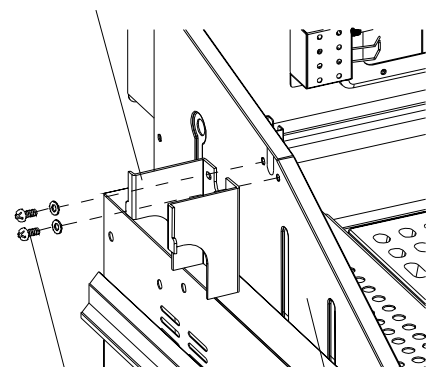


3/16" 1/2" UNC  
Phillips Head Screws  
with Plain washers

Outside of right  
grill bowl panel

**(B3808A)**

Motor Bracket



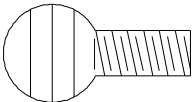
3/16" 1/2" UNC  
Phillips Head Screws  
with Plain washers

Outside of right  
grill bowl panel

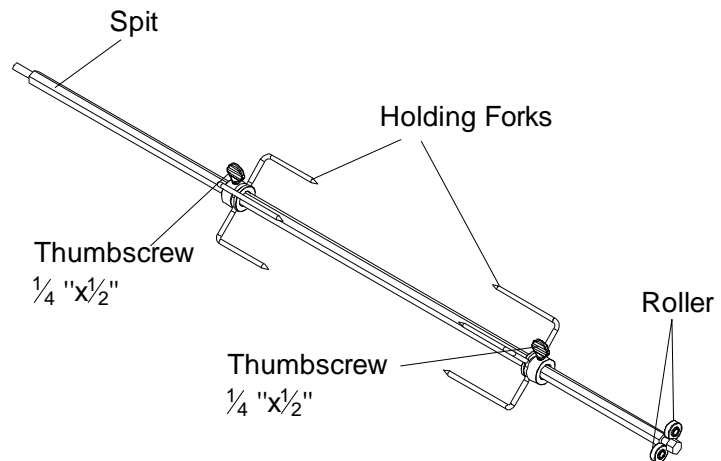
**(BA108A)**

3. Rollers are fixed in position. Slide 1 Holding Fork (prong ends face outward) through the other end of the Rotisserie spit. Slide the spit through the piece of meat or poultry and the other holding fork. Adjust spacing between holding Forks to accommodate your food and then tighten the Thumbscrews to keep the Holding Forks in position.

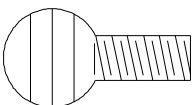
**(B3808A)**



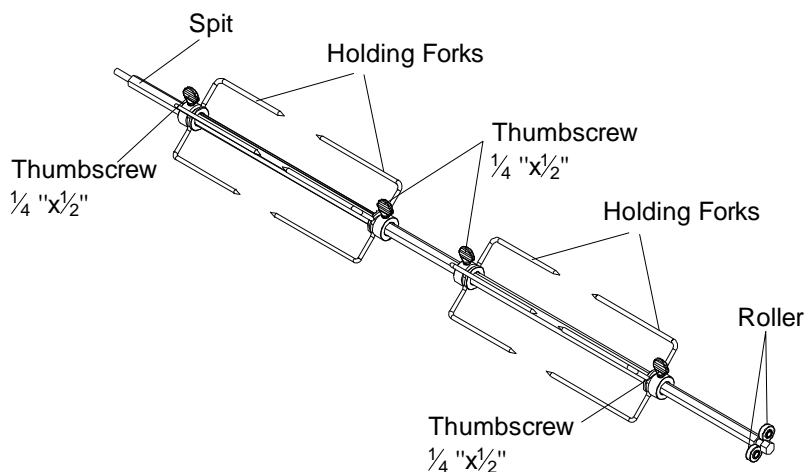
Rot. Thumbscrew 1/4"x1/2"  
Qty. 2  
Ref. #S196G04081



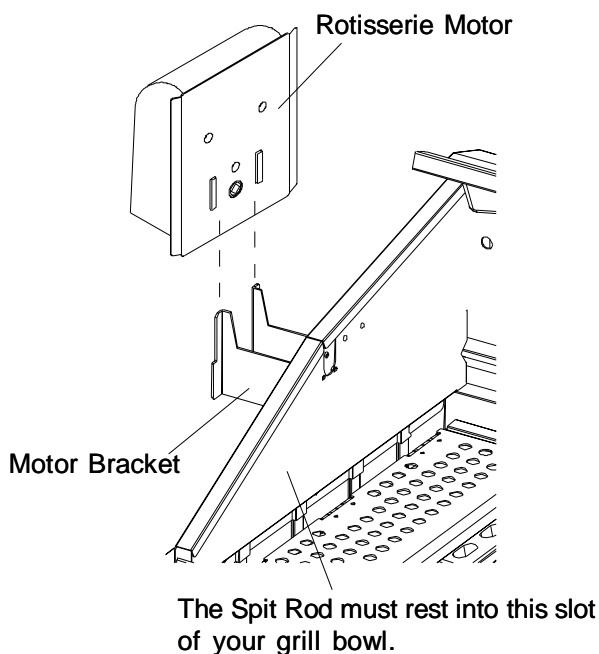
**(BA108A)**



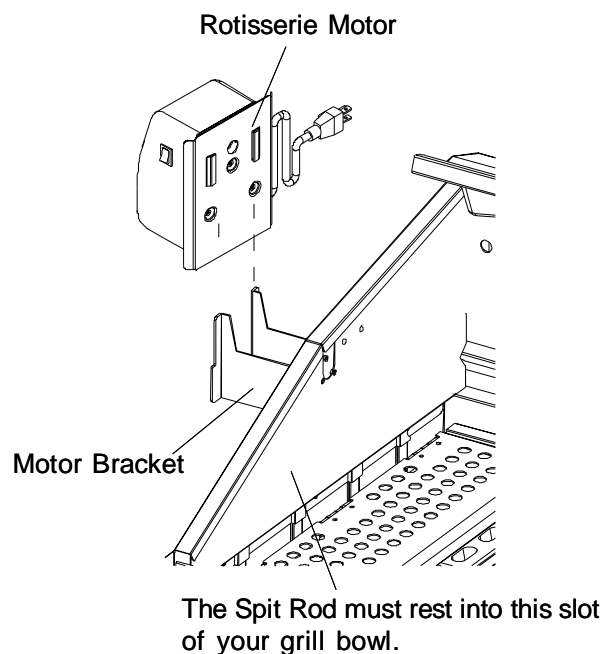
Rot. Thumbscrew 1/4"x1/2"  
Qty. 4  
Ref. #S196G04081



4. Install the AC (alternating current) Rotisserie Motor onto the Motor Bracket as shown below. This is a universal Rotisserie Motor designed to fit a variety of grills. Be sure the Motor attaches to the Bracket with the electrical cord down. This installation insures that once the Spit is inserted into the Motor it will also rest securely into the slot of your grill bowl.

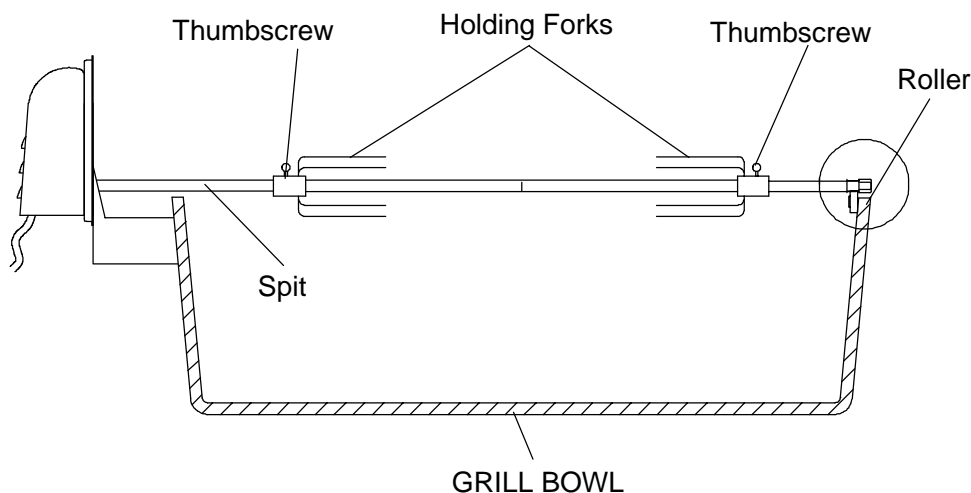


**(B3808A)**



**(BAI08A)**

5. Insert the assembled Rotisserie into the Motor as shown below. The Motor should be on the Right side of your grill. Place the Rollers into the slot opening on the left side of your grill bowl. The Rollers allow the Rotisserie spit to turn smoothly. Plug the Rotisserie into an outlet and turn on to test.



BEFORE rotisserie cooking you will need to remove the Cooking Grid(s) and possibly the Flame Tamers from your grill. When rotisserie cooking place a Cooking Pan under the food to be cooked. This will capture the drippings and keep your grill clean of excess grease which could cause a fire. Use caution when moving a Cooking Pan containing hot oils.

