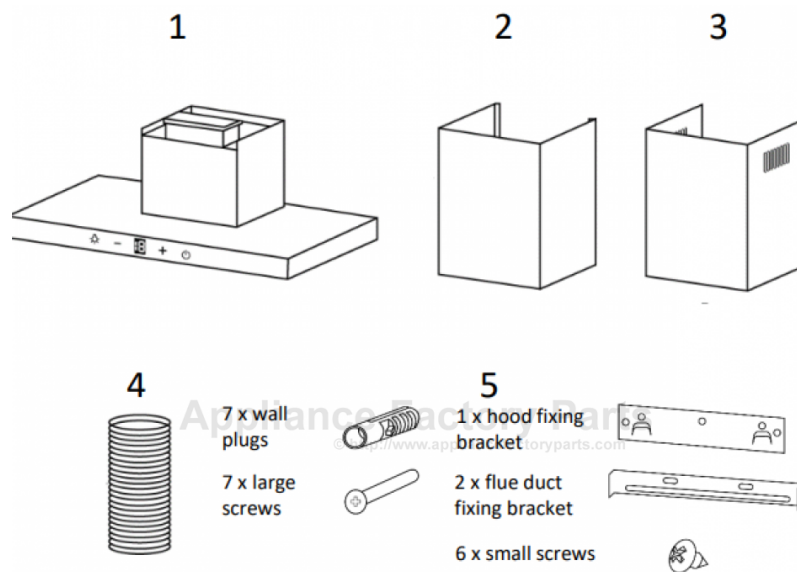


Russell Hobbs RHGCH603DS Owner's Manual

[Shop genuine replacement parts for Russell Hobbs RHGCH603DS](#)



1. Hood
2. Lower flue duct
3. Upper flue duct
4. Hose
5. Fixtures and fittings

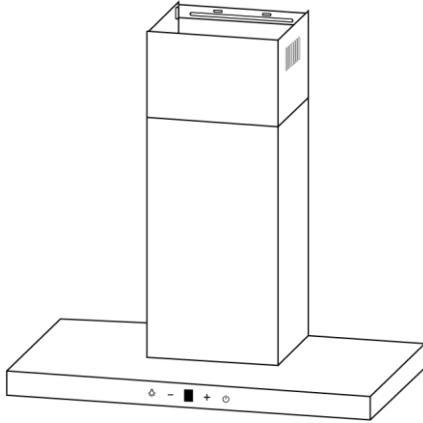
[Find Your Russell Hobbs Cooker Parts - Select From 29 Models](#)

----- Manual continues below -----



Russell Hobbs

Cooker Hood Instruction Manual



Model number(s):
RHGCH603DS & RHGCH903DS

For Customer Services & Spare Parts please call **0345 208 8750**
or visit us at mda.russellhobbs.com

IMPORTANT:
RETAIN FOR FUTURE REFERENCE

Contents

Safety Instructions	3-6
Operating modes	7
Product Overview	8
Positioning	9-10
Installation	11-15
Preparation	11-12
Constructing and aligning the appliance	13
Attaching the appliance	14
Ducted air exhaust system	15
Usage	16
Cleaning and Maintenance	17-23
Trouble shooting	24
Connection to the mains supply	25
Guarantee	26
Technical specification	27

Safety Instructions

Important note:

Please read this booklet before installing and switching on this appliance. The manufacturer assumes no responsibility for incorrect installation and usage as described in this booklet.

This appliance can be used by children aged from 8 years and above and persons with reduced physical, sensory or mental capabilities or lack of experience and knowledge if they have been given supervision or instruction concerning use of the appliance in a safe way and understand the hazards involved. Children shall not play with the appliance.

- Children should be supervised to ensure that they do not play with the appliance.
- Children must not clean the appliance or carry out general maintenance unless they are at least 8 years old and are being supervised.
- Keep children below the age of 8 years old at a safe distance from the appliance and power cable.
- If the supply lead is damaged it must be replaced by a qualified person using the correct lead, available from **0345 208 8750**.
- The appliance can only be used safely if it is correctly installed according to the safety instructions. The installer is responsible for ensuring that the appliance works correctly after installation.
- This appliance is intended for domestic use and the household environment only. The appliance is not intended for use outside.
- Do not leave the appliance unattended during operation. The manufacturer is not liable for damage which is caused by improper use or incorrect operation.
- Check the appliance for damage after unpacking it. Do not connect the appliance if it has been damaged in transport.
- This appliance is not intended for operation with an external clock timer or a remote control.

Safety Instructions

- Packaging material is dangerous to children. Never allow children to play with packaging material.
- **Risk of Death** - Always ensure adequate fresh air in the room if the appliance is being operated in extraction-air mode at the same time as room air-dependent heat-producing appliance(s) are being operated.
- Room air-dependent heat-producing appliances (e.g. gas, oil, wood or coal operated heaters, continuous flow heaters or water heaters) obtain combustion air from the room in which they are installed and discharge the exhaust gases into the open air through an exhaust gas system (e.g. a chimney).
- In combination with an activated vapour extractor hood, room air is extracted from the kitchen and neighbouring rooms – a partial vacuum is produced if not enough fresh air is supplied. Toxic gases from the chimney or the extraction shaft are sucked back into the living space.
 - Adequate incoming air must therefore always be ensured.
 - An incoming/exhaust air wall box alone will not ensure compliance with the limit.
- Safe operation is possible only when the partial vacuum in the place where the heat producing appliance is installed does not exceed 4 Pa (0.04 mbar). This can be achieved when the air needed for combustion is able to enter through openings that cannot be sealed, for example in doors, windows, incoming/ exhaust air wall boxes or by other technical means.
- In any case, consult your responsible Master Chimney Sweep. They will be able to assess the house's entire ventilation setup and will suggest the suitable ventilation measures to you.

Safety Instructions

- **Risk of Fire** - Grease deposits in the grease filter may catch fire. **Clean the grease filter at least every 2 months.**
- Never operate the appliance without the grease filter.
- Grease deposits in the grease filter may catch fire. Never work with naked flames close to the appliance (e.g. flambéing). Do not install the appliance near a heat producing appliance for solid fuel (e.g. wood or coal) unless a closed, non-removable cover is available. There must be no flying sparks.
- Hot oil and fat can ignite very quickly. Never leave hot fat or oil unattended. Never use water to put out burning oil or fat. Switch off the hotplate. Extinguish flames carefully using a lid, fire blanket or something similar.
- When gas burners are in operation without any cookware placed on them, they can build up a lot of heat. A ventilation appliance installed above the cooker may become damaged or catch fire. Only operate the gas burners with cookware on them.
- Operating several gas burners at the same time gives rise to a great deal of heat. A ventilation appliance installed above the cooker may become damaged or catch fire. Never operate two gas burners simultaneously on the highest flame for longer than 15 minutes. One large burner of more than 5 kW (wok) is equivalent to the power of two gas burners.
- The accessible parts become very hot when in operation. Never touch hot parts. Keep children at a safe distance.
- Components inside the appliance may have sharp edges. Wear protective gloves.
- Items placed on the appliance may fall down. Do not place any objects on the appliance.

Safety Instructions

- A defective appliance may cause electric shock. Never switch on a defective appliance. Unplug the appliance from the mains or switch off the circuit breaker in the fuse box. Contact the after-sales service.
- Incorrect repairs are dangerous. Repairs may only be carried out and damaged power cables replaced by one of our trained after-sales technicians. If the appliance is defective, unplug the appliance from the mains or switch off the circuit breaker in the fuse box. Contact the after-sales service.
- Do not use any high-pressure cleaners or steam cleaners, which can result in an electric shock.
- Always switch on the appliance while cooking to avoid condensation. Condensation can produce corrosion damage.
- Always replace faulty bulbs to prevent the remaining bulbs from overloading.
- Risk of damage due to ingress of humidity into the electronic circuitry. Never clean operator controls with a wet cloth. Surface damage due to incorrect cleaning. Clean stainless steel surfaces in the direction of the grain only. Do not use any stainless steel cleaners for operator controls.
- Surface damage due to strong or abrasive cleaning agents. Never use strong and abrasive cleaning agents. Risk of damage from returning condensate. Install the exhaust duct in such a way that it falls away from the appliance slightly (1 ° slope).

Operating modes

This appliance can be used in extraction-air mode or circulating air mode.

Extraction-air mode

The air which is drawn in is cleaned by the grease filters and extracted outside by a hose.

Important Notes:

- The extracted air must not be extracted into a functioning smoke, exhaust gas flue or into a shaft which is used to ventilate installation rooms which contain heat-producing appliances.
- Before the extracted air is extracted into a non-functioning smoke or exhaust gas flue, obtain the consent of the heating engineer responsible.
- If the extracted air is carried through the outer wall, a telescopic wall box should be used.

Circulating-air mode

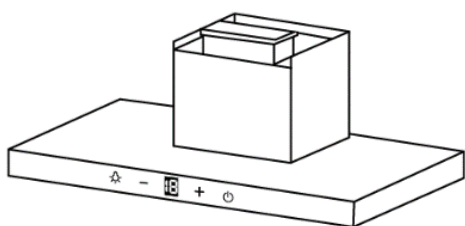
The air which is drawn in is cleaned by the grease filters and a carbon filter (carbon filter is not supplied with your appliance) and extracted back into the kitchen.

Important Note: To remove odours in circulating-air mode, you must install a carbon filter (carbon filter is not supplied with your appliance) . Please contact Product Care or visit the Russell Hobbs website to purchase carbon filter.

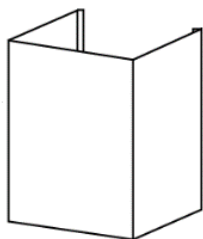
Dependent on use it is recommended that a carbon filters are changed every 2 – 3 months.

Product overview

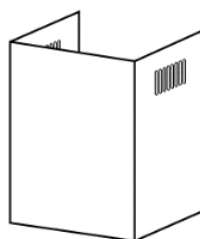
1



2



3

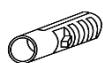


4



7 x wall
plugs

7 x large
screws

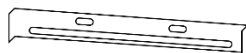
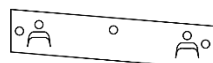


5

1 x hood fixing
bracket

2 x flue duct
fixing bracket

6 x small screws



1. Hood

2. Lower flue duct

3. Upper flue duct

4. Hose

5. Fixtures and fittings

Unit & Spare Parts

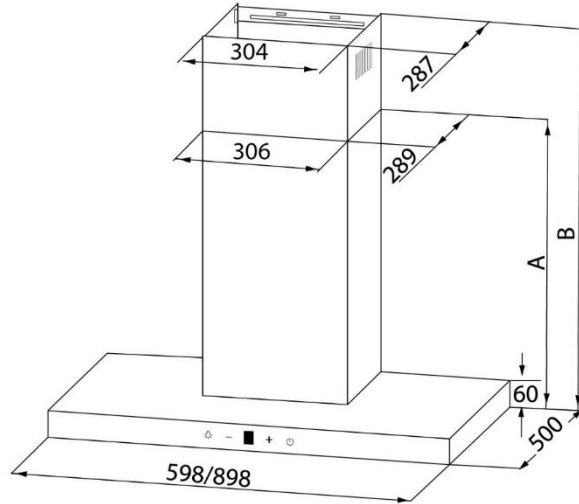
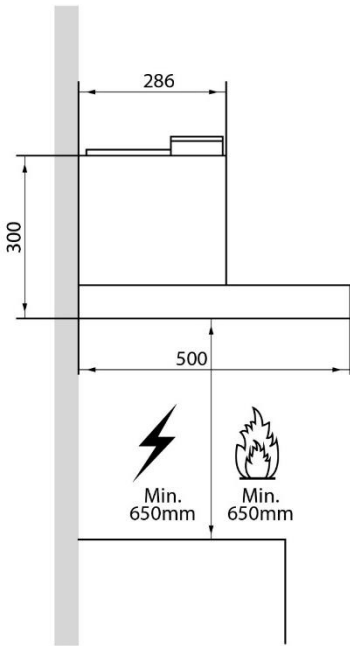
If any of the above parts are missing please contact the customer service team on 0345 208 8750 or visit mda.russellhobbs.com

Positioning

- This appliance is installed on the wall.
- Avoid damaging the product during installation
- The appliance can only be used safely if it is correctly installed according to the safety instructions. The installer is responsible for ensuring that the appliance works correct when installed.
- The width of the extractor hood must correspond at least with the width of the hob.
- For the installation, observe the currently valid building regulations and the regulations of the local electricity and gas suppliers.
- When conveying the exhaust air, official and legal regulations (e.g. state building regulations) must be followed.
- The exhaust air must not be conveyed into a functioning smoke or exhaust gas flue or into a shaft which is used to ventilate installation rooms that contain heating appliances. If the exhaust air is to be conveyed into a non-functioning smoke or exhaust gas flue, you must obtain the consent of the heating engineer responsible.
- Always ensure adequate fresh air in the room if the appliance is being operated in exhaust air mode at the same time as room air-dependent heat-producing appliance is being operated.

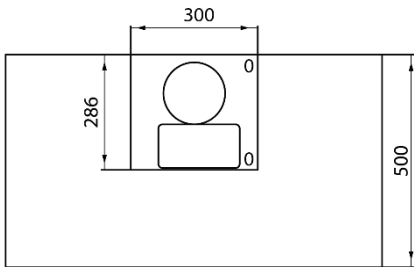
Positioning

All measurements in the below diagram are in millimetres (mm)

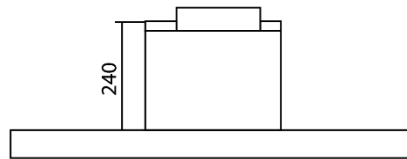


Option	Chimney	A	B
1	400 + 390	450	485 - 820
2	500 + 490	550	585 - 1020

Top view



front view



Installation

Preparation

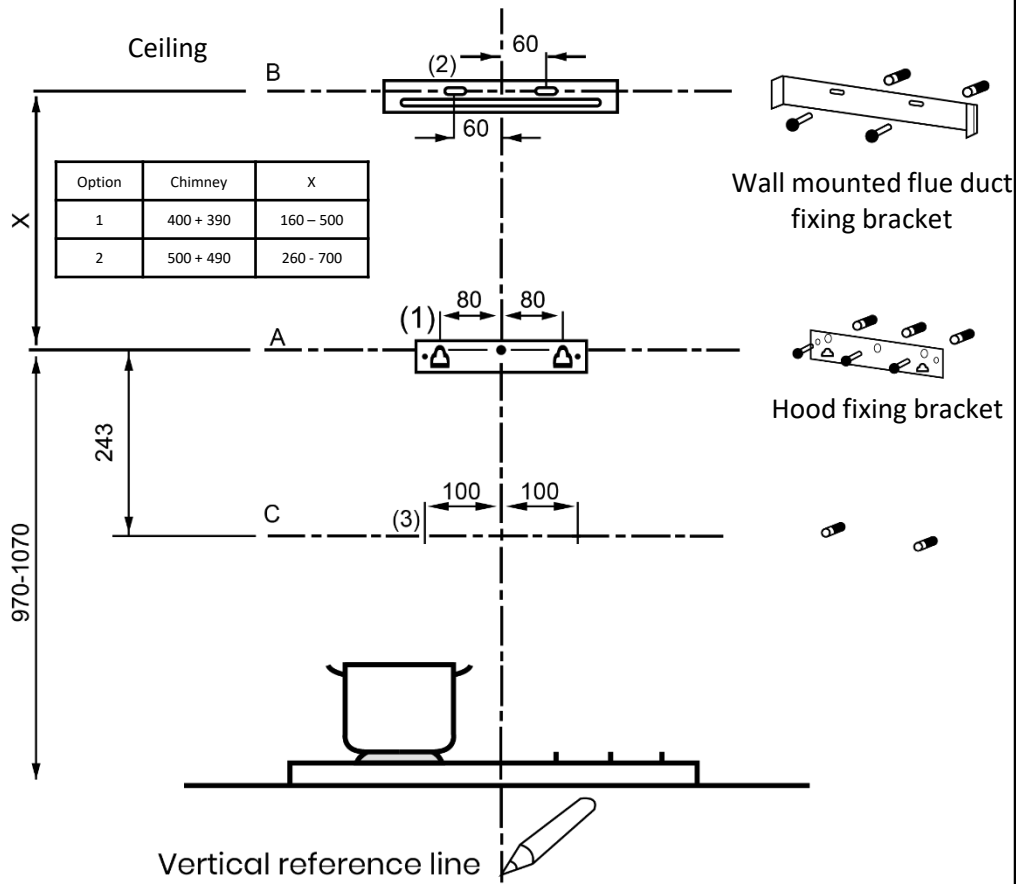
Ensure that there are no electric wires, gas or water pipes in the area where holes are to be made.

1. Ensure that there is an electrical plug socket within adequate distance of the hood after it has been installed.
2. Mark a vertical centre line on the wall from the ceiling to the worktop in the centre of the area that the cooker hood is to be fitted.
3. Mark 3 horizontal lines on the wall in the following positions:
 - A. A horizontal line **A** at **970 – 1070** mm above the cooker top
 - B. A horizontal line **B** at **X** mm above the horizontal line **A**.
 - C. A horizontal line **C** at a 243 mm below the horizontal line **A**.
4. Mark the positions for the screws and the contour of the attachment area. Always ensure that the marks are level with a spirit level.
 1. Mark 2 points **(1)** on the horizontal line **A**, **80** mm either side of the vertical reference line.
 2. Mark 2 points **(2)** on the horizontal line **B**, **60** mm either side of vertical reference line.
 3. Mark a point **(3)** on the horizontal line **C**, **100** mm either side of vertical reference line.
5. Drill holes at the marked points and insert the wall plugs:
 1. 3 x 10mm \varnothing holes to a depth of 50mm for the **hood fixing bracket** and press the wall plugs flush with the wall. Horizontal line **A**.
 2. Drill 2 x 10mm \varnothing holes to a depth of 50mm for the **wall mounted flue duct fixing bracket** and press the wall plugs flush with the wall (at the appropriate height and will depend on the height of the ceiling). Horizontal line **B**.
 3. Drill 2 x 10mm \varnothing holes to a depth of 50mm for the safety screws. Horizontal line **C**.
6. Screw on the **hood and wall mounted flue duct fixing brackets** with the large screws.

Installation

Preparation

All measurements in the below diagram are in millimetres (mm)



Installation

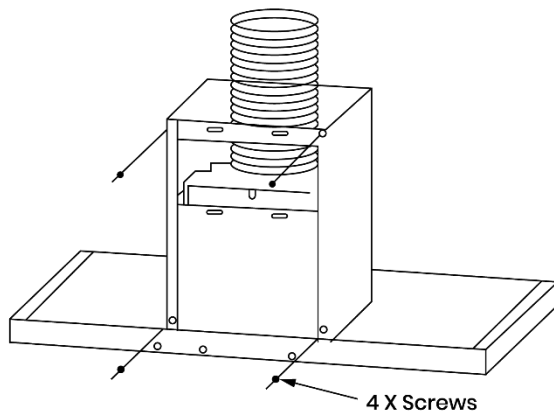
Constructing and aligning the appliance.

Components inside the appliance may have sharp edges. Wear protective gloves

1. Partially remove the protective film from the back of the appliance.
2. Hook the appliance on to the hood fixing bracket (ensure the hood is fully hooked onto the hood fixing bracket, as the hooks on the bracket are stepped) and check that it is level with a spirit level.



3. Remove the appliance from the hood fixing bracket and following installation, remove the film completely.
4. Attach the lower (bigger) flue duct to the appliance and secure it at the rear of the appliance (at the bottom) with 2 small screws. At the top of the lower (bigger) flue duct secure the **flue ducting bracket** to the duct with 2 small screws at the rear.



 Russell Hobbs

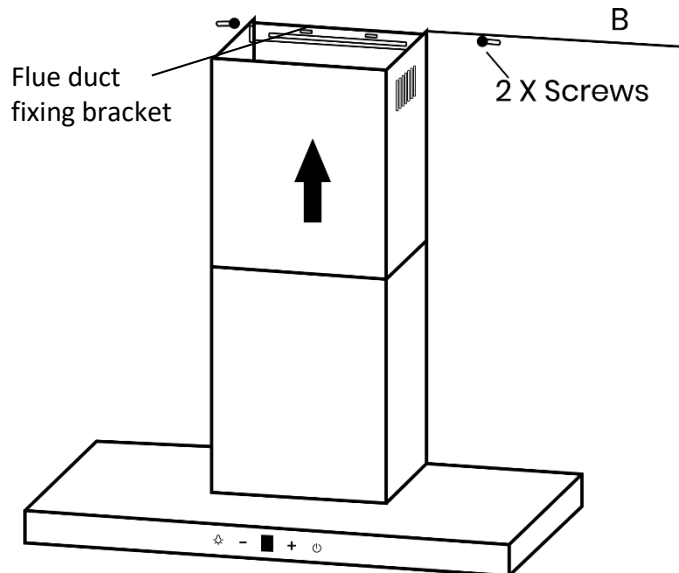
Installation

Attaching the appliance

Components inside the appliance may have sharp edges. Wear protective gloves.

1. Slide the upper (smaller) flue duct into the lower (bigger) flue duct.
2. Carefully mount the appliance onto the hood fixing bracket (ensure the hood is fully hooked onto the hood fixing bracket, as the hooks on the bracket are stepped).
3. Remove the aluminium filters from the underside of the hood (see page 19) and fix 2 large screws into bottom part of the hood and into the wall plugs (the wall plugs that are installed on line C on page 11). Reattach the filters.
4. Place the hose on the duct outlet.
5. Slide the upper flue duct upwards and screw it to the sides of the wall mounted flue duct fixing bracket previously installed using 2 small screws.
6. Plug the hood into the electrical plug socket and turn on the socket.

Note: Align the flue duct before tightening the screws.



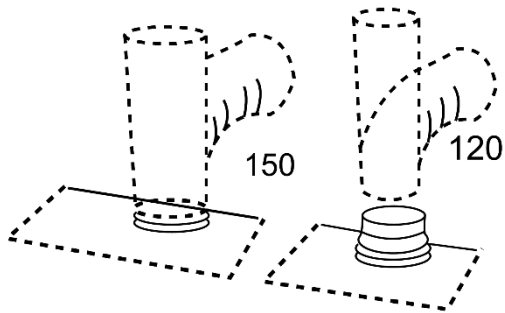
 Russell Hobbs

Installation

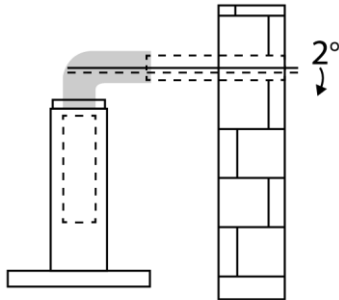
Ducted air exhaust system

- When installing the ducted version, connect the hood to the chimney using either a flexible or rigid pipe ϕ 150 mm or ϕ 120 mm. The product is supplied with a ϕ 150 mm flexible pipe therefore to install a ϕ 120 mm air exhaust connection a reducer flange (not supplied) will need to be attached to the outlet on the hood.
- Fix the ϕ 150 mm flexible pipe in position using sufficient pipe clamps (not supplied).

Note: Align the flue duct before tightening the screws.



The has to be a 2 degree decline in the exhaust pipe to the outside vent



Usage

Note: Switch on the extractor hood when you start cooking and switch it off again several minutes after you have finished cooking. This is the most effective way of removing the kitchen fumes.

Control panel



Light



Minus



Digital Screen



Plus



Power

Power

Press the power button to turn on the appliance, the fan will power on and the speed set to 1. The digital display will show 1. Press the power button to stop the fan and power off the appliance.

Note: after fan operation the fan will continue to run at low speed for approximately 3 minutes, even if the power button has been used to turn off the appliance.

Plus

Press the plus button to increase the extraction rate/fan speed that is required (the appliance has 4 settings/speeds). Press the power button to stop the fan.

Minus

Press the minus button to decrease the extraction rate/fan speed that is required (the appliance has 4 settings/speeds). Press the power button to stop the fan.

Light

The lighting can be turned on and off independently of the power and the fan setting/speed. Press the light button once to turn the lights on and then again to turn the lights off.

Cleaning and Maintenance:

Important notes:

- The appliance will become hot during operation, especially near the bulbs. Allow the appliance to cool down before cleaning.
- Penetrating moisture may result in an electric shock. Clean the appliance using a damp cloth only. Before cleaning, pull out the mains plug or switch off the circuit breaker in the fuse box.
- Do not use any high-pressure cleaners or steam cleaners, which can result in an electric shock.
- Components inside the appliance may have sharp edges. Wear protective gloves.

How to clean

Observe the information in the table on the following page to ensure that the different surfaces are not damaged by using the wrong type of cleaning agent. Do not use:

- Harsh or abrasive cleaning agents,
- Cleaning agents with a high concentration of alcohol,
- Hard scouring pads or sponges,
- High-pressure cleaners or steam cleaners.

Wash new sponge cloths thoroughly before use.

Follow all instructions and warnings included with the cleaning agents.

Cleaning and Maintenance:

Surface type	How to clean
Stainless Steel	<p>Hot soapy water: Clean with a dish cloth and dry with a soft cloth.</p> <p>Clean stainless steel surfaces in the direction of the grain only.</p> <p>Special stainless steel cleaning products are from specialist retailers. Apply a very thin layer of the cleaning product with a soft cloth.</p>
Painted surfaces	<p>Hot soapy water: Clean using a damp dish cloth and dry with a soft cloth/towel. Do not use any stainless steel cleaners.</p>
Aluminium and plastic	<p>Glass cleaner: Clean with a soft cloth.</p>
Glass	<p>Glass cleaner: Clean with a soft cloth. Do not use a glass scraper.</p>
Panel	<p>Hot soapy water: Clean using a damp dish cloth and dry with a soft cloth. Risk of damage to the electronics from penetrating moisture. Never clean operator controls with a wet cloth.</p> <p>Do not use any stainless steel cleaners.</p>

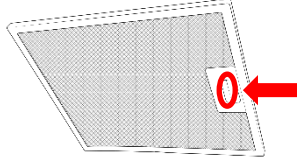
Cleaning and Maintenance:

Aluminium grease filters:

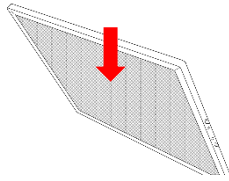
Removing and installing the Aluminium grease filters:

Removing

1. Press the lock in and pull down the aluminium grease filter.



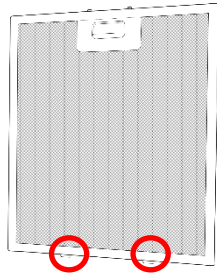
2. Take the filter out of the holder.



3. Clean the filter and allow to dry before replacing (refer to cleaning instructions on the following page).

Installing

1. Insert the aluminium grease filter by aligning the 2 metal tabs into the filter holder.



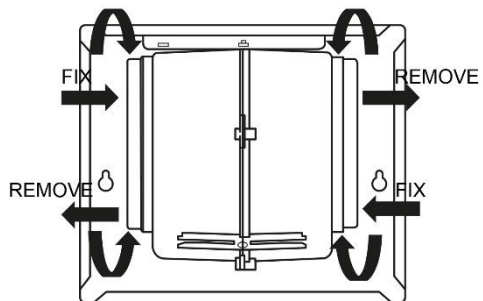
2. Press the lock in and push the filter upwards, locking it in place.

Cleaning and Maintenance:

Carbon filters (must be purchased separately):

Installing the Carbon grease filters:

1. Remove the Aluminium filter(s) from the hood.
2. You will now be able to access the motor, carefully attached the carbon filters to both ends of the motor.



3. Carbon filters should be replaced after approximately 2-3 months of use.
4. The carbon filters cannot be washed or recycled.

Cleaning and Maintenance:

Important notes

- Grease deposits in the grease filter may catch fire.
- Clean the grease filter at least every 2 months.
- Never operate the appliance without the grease filter.
- Do not use any aggressive, acidic or alkaline cleaning agents.
- When cleaning the aluminium grease filters, also clean the holder filters in the hood using a damp cloth (ensure the hood is turned off).
- The filters can be cleaned in the dishwasher or by hand.

Dishwasher:

1. Do not clean heavily soiled metal mesh grease filters together with utensils.
2. Place the aluminium grease filters loosely in the dishwasher.
3. The filters must not be wedged in.
4. The temperature should be 60 °C or less

Note: If the filters are cleaned in the dishwasher, slight discolouration may occur. This has no effect on the function of the metal mesh grease filters.


By hand:

1. Soak the aluminium grease filters in a hot soapy water.
2. Clean the filters with a brush before rinsing them thoroughly.
3. Leave the filters to drain and put them back in to the hood when dry.

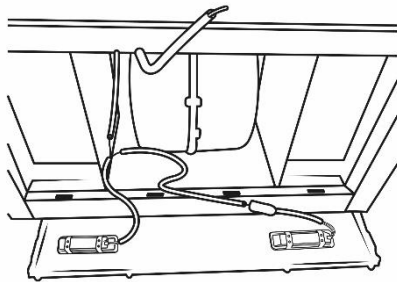
Cleaning and Maintenance:

Replacing the light modules

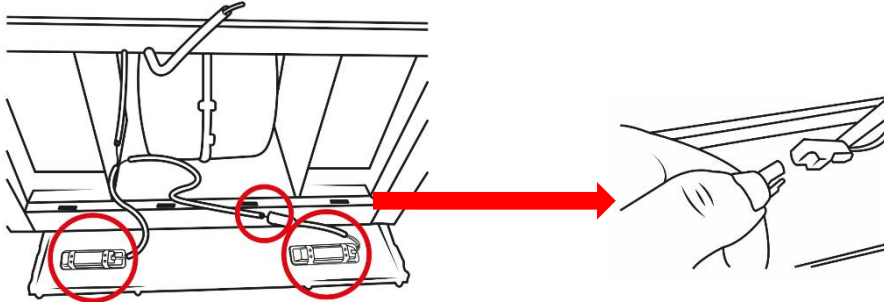
- You cannot replaced the light bulbs, the entire light module has to be replaced.
- When changing the light modules, the contacts are live.
- Before changing the light module(s), unplug the appliance from the mains or switch off the circuit breaker in the fuse box.
- Only use a light module that is the same type and same power (details below), please contact customer services on 0345 208 8750 or visit mda.russellhobbs.com

	Max Power	Voltage	Image	Lamp cap	ILCOS D code
LED module: Square / Diameter(mm): 33.2 x 120	1.5	DC 12V		-	DSS-1.5-S-33.2/120

1. Remove the grease filter and carefully remove the rear panel (a cross headed screwdriver will be needed to remove the screws from the front plate).

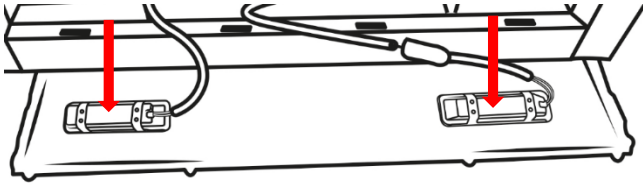


2. Unclip the light module from its terminal

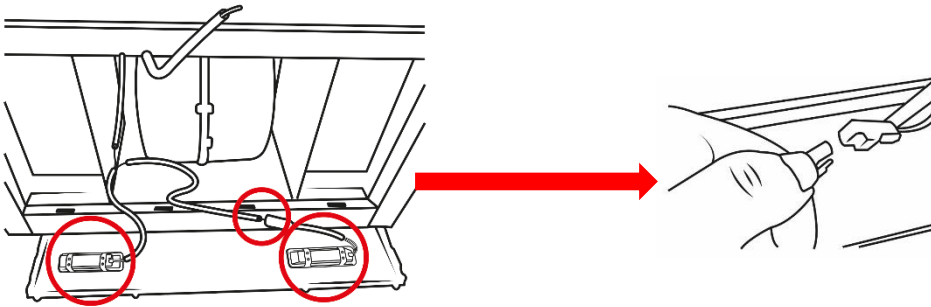


Cleaning and Maintenance:

3. Remove the light from the its fitting in the panel by pushing downwards so it pops through the panel (this may require pressure or force to be applied).



4. Put the replacement light module into the fitting (ensuring the terminal is threaded through the fitting) and connect it to the terminal.



5. Replace the panel (a cross headed screwdriver will be needed to fasten the screws into the front plate) and plug the appliance back into the mains or switch on the circuit breaker in the fuse box

Trouble Shooting:

Problem	Solution
The appliance does not work	The plug is not plugged in. Connect the appliance to the electricity supply.
	Power cut Check whether other kitchen appliances are working.
	Faulty fuse Check in the fuse box to make sure that the fuse for the appliance is working
	The fan is faulty. Contact Product Care or a local engineer.
The lighting does not work	The plug is not plugged in Connect the appliance to the electricity supply.
	The bulbs are faulty. For information on changing the bulbs, see the "Replacing Bulbs" section.
Excessive vibration	The hood is not correctly installed, check all screws are tightly fastened.
Insufficient suction	The hood may have been installed too far away from the hob.
The hood is not flush against the wall	The screws of the fixing brackets have not been tightened sufficiently.

Connection to the mains supply

WARNING- THIS APPLIANCE MUST BE EARTHED

This appliance is designed to operate from a mains supply of AC220V-AC240V~50Hz. Check that the voltage marked on the product corresponds with your supply voltage.

For UK use only – Plug fitting details (where applicable):

As the colours of the wires in the mains lead of this appliance may not correspond with the coloured markings identifying the terminals in your plug, proceed as follows:

The GREEN/YELLOW wire is the EARTH and must be connected to the terminal which is marked with the letter E or by the earth symbol or coloured GREEN or GREEN/YELLOW.

The BLUE wire is the NEUTRAL and must be connected to the terminal marked with the letter N or coloured BLACK.

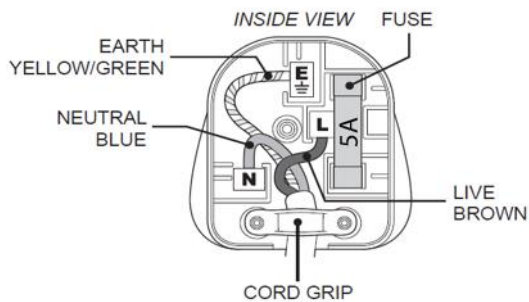
The BROWN wire is the LIVE wire and must be connected to the terminal marked with the letter L or coloured RED.

Always ensure that the plug cord grip is fastened correctly.

If a 5A (BS1363) fused plug is used it must be fitted with a 5amp fuse conforming to BS1362 and be BSI or ASTA approved.



DANGER
Electric
Shock Risk



 **Russell Hobbs**

Guarantee

This product is guaranteed for 12 months from the date of the original purchase. If any defect arises due to faulty materials or workmanship you must contact Product Care with the original proof of purchase so a replacement or refund can be arranged.

Refund or replacement is at the discretion of Product Care.

The following conditions apply:

- Product Care will require a valid proof of purchase at the point of replacement or refund.
- The product must be installed and used in accordance with the instructions contained in this instruction guide and any other instructions for use which has been supplied.
- It must be used for domestic purposes only and for its intended use.
- This guarantee does not cover wear and tear, damage, misuse or consumable parts.

This does not affect your statutory rights.

Technical Specification

Model number	RHGCH603DS
Rated Voltage	220V – 240V ~ 50Hz
Rated input	73W
External Dimensions(HxWxD)	450 - 820mm x 598mm x 500mm
Maximum extraction rate	650m ³ /h
Light power	2 x 1.5W LED bulbs

Model number	RHGCH903DS
Rated Voltage	220V – 240V ~ 50Hz
Rated input	73W
External Dimensions(HxWxD)	450 - 820mm x 898mm x 500mm
Maximum extraction rate	650m ³ /h
Light power	2 x 1.5W LED bulbs

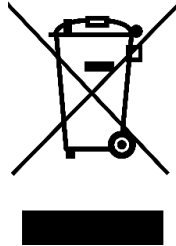


Russell Hobbs

Russell Hobbs is a registered trademark used under license from Spectrum Brands (UK) Ltd. Made under license by G2S Limited, Wigan, WN2 4AY/G2S (NI) Ltd, Belfast, BT5 5AD.

Russell Hobbs Support: call **0345 208 8750** or visit: mda.russellhobbs.com

**UK
CA**



The 'wheeie bin' symbol is known as the 'Crossed-out wheeie bin Symbol'.
When this symbol is marked on a product/batteries, it means that the product/batteries should not be disposed of with your general household waste. Only discard electrical/electronic/battery items in separate collection schemes, which cater for the recovery and recycling of materials contained within. Your co-operation is vital to ensure the success of these schemes and for the protection of the environment. For your nearest disposal facility, visit www.recycle-more.co.uk or ask in store for details.

SEDEX – Connecting businesses and their global suppliers to share ethical data and enabling improvement in ethical performance. Visit www.sedex.org.uk for further information.

We reserve the right, due to possible changes to design, to alter the instruction manual without prior notice.

Revision 2.1