

This Owner's Manual is provided and hosted by [Appliance Factory Parts](#).



# Russell Hobbs RHCV30AS11 Owner's Manual

[Shop genuine replacement parts for Russell Hobbs  
RHCV30AS11](#)



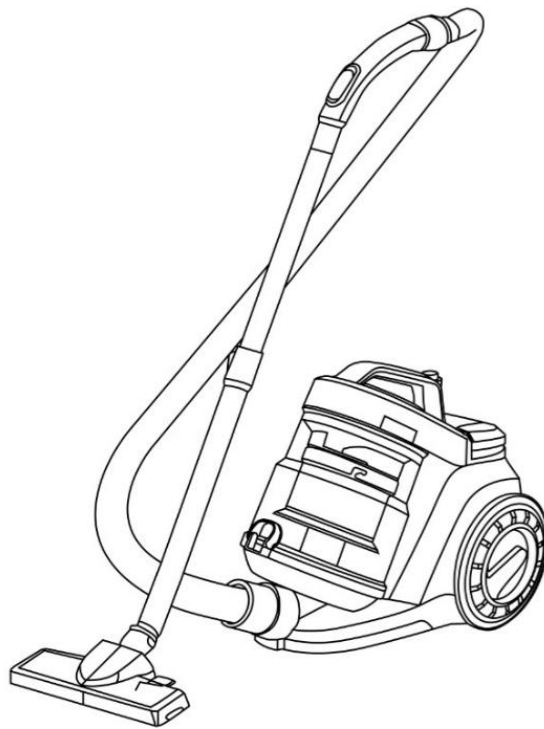
[Find Your Russell Hobbs Vacuum Cleaner Parts - Select From 14 Models](#)

----- Manual continues below -----



# Russell Hobbs

## Atlas Cylinder Vacuum Cleaner



**Model Number: RHCV30AS11**

**220-240V~, 50-60Hz, 800W**

For Customer Services & Spare Parts please call **0345 209 7461**  
Opening times: Monday - Friday 8am – 8pm & Saturday 9am – 1pm  
Or visit us at [www.productcare.co.uk](http://www.productcare.co.uk)

**PLEASE RETAIN**  
**FOR FUTURE REFERENCE**

# CONTENTS

	Page(s)
Safety instructions	3-6
Energy performance label	7
Technical data	8
Vacuum feature diagram	9
Vacuum cleaner assembly	10-11
Using your vacuum cleaner	12-14
Cleaning and care	15-17
Problem solving	18
Guarantee and customer services	19
Spare parts	20
Connection to the mains supply	21
Disposal information	24

Thank you for purchasing your Russell Hobbs Atlas Cylinder Vacuum Cleaner.

To get the best from your new cleaner, take a few moments to read these instructions and keep them in a safe place for future reference.

Should you require any further assistance, our friendly Product Care team will be happy to help.

For Customer Services & Spare Parts please call **0345 209 7461**  
Opening times: Monday - Friday 8am – 8pm & Saturday 9am – 1pm  
Or visit us at **[www.productcare.co.uk](http://www.productcare.co.uk)**

# **SAFETY INSTRUCTIONS**

## **IMPORTANT SAFETY INSTRUCTIONS** **READ CAREFULLY AND KEEP FOR FUTURE REFERENCE**

### **WARNING:**

- It is hazardous for anyone other than a competent person to carry out any service or repair operation that involves the removal of a cover which gives protection against exposure to electrical parts.
- If the supply cord is damaged, it must be replaced by the manufacturer, its service agent or similarly qualified persons in order to avoid a hazard.
- This product is intended for household use only. Do not use outdoors.
- This appliance can be used by children aged from 8 years and above and persons with reduced physical, sensory or mental capabilities or lack of experience and knowledge if they have been given supervision or instruction concerning use of the appliance in a safe way and understand the hazards involved. Children shall not play with the appliance. Cleaning and user maintenance shall not be made by children without supervision.
- Do not operate this appliance for anything other than its intended use.
- Do not immerse in water or other liquids for cleaning.

# **SAFETY INSTRUCTIONS**

## **IMPORTANT SAFETY INSTRUCTIONS**

### **READ CAREFULLY AND KEEP FOR FUTURE REFERENCE**

- Do not direct at people, animals, electrical outlets, or equipment containing electrical components.
- Unplug from outlet when not in use. Do not leave the cleaner unattended while plugged in.
- Do not use with damaged cord or plug.
- Do not use vacuum cleaner if it has been dropped, damaged, left outdoors or dropped into water.
- Keep the vacuum cleaner away from water; do not allow it to get wet. If unit is wet, do not plug unit into wall socket or turn unit on.
- Do not handle the vacuum cleaner with wet hands.
- Do not pull or carry by cord, use cord as a handle, close door on cord, pull cord around sharp corners or edges, or expose cord to heated surfaces.
- Do not unplug by pulling on cord.
- To protect against electrical shock do not immerse cord, plug, or appliance in water or other liquid.
- Unplug from the mains outlet when not in use, before putting on and taking off parts, and before cleaning.
- The use of accessory attachments not recommended by the appliance manufacturer may cause fire, electric shock or injury. Only use the accessories supplied by the manufacturer.

# **SAFETY INSTRUCTIONS**

## **IMPORTANT SAFETY INSTRUCTIONS** **READ CAREFULLY AND KEEP FOR FUTURE REFERENCE**

### **WARNING:**

- Do not let the cord hang over the edge of the worktop, or touch hot surfaces.
- Do not use this vacuum to pick up water or any other liquids, combustible substances or hot/burning objects.
- Only use the unit when fully assembled.
- Never place your fingers or other objects into any part of the cleaner. Be aware that loose clothing or hair may become trapped in the cleaner if improperly used.
- Before use, ensure that all of the air vents of the cleaner are clear and there is no restriction of air flow.
- When cleaning stairs, ensure the cleaner is on a step below you. NEVER place the cleaner above.
- Caution: Exhaust air discharged from the rear of the cleaner may extinguish a gas fire, pilot light, or disturb ashes in an open fire. Always avoid directing the cleaner toward naked flames.

# **SAFETY INSTRUCTIONS**

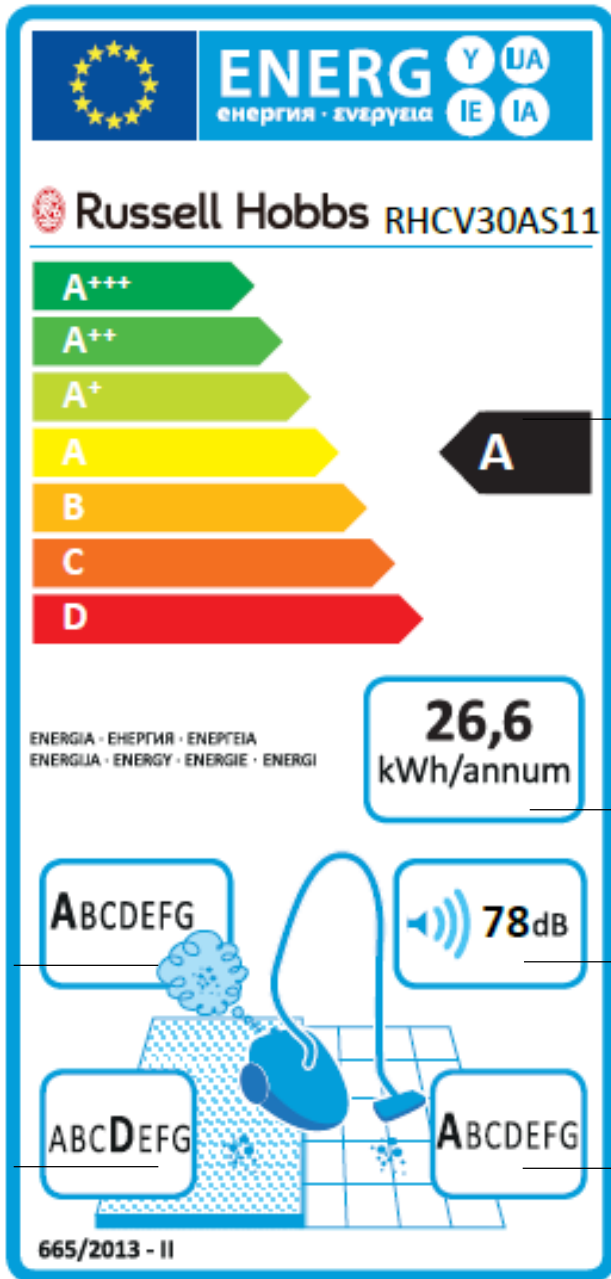
## **IMPORTANT SAFETY INSTRUCTIONS** **READ CAREFULLY AND KEEP FOR FUTURE REFERENCE**

- **Important:** This cleaner has a thermal safety device which automatically cuts off the power supply in case of over heating. If the safety device has switched the cleaner off, unplug from the mains, allow the cleaner to cool down and check for any blockages. Once the cleaner has cooled it can be plugged back in to the mains and used as normal.

For Customer Services & Spare Parts please call **0345 209 7461**  
Opening times: Monday - Friday 8am – 8pm & Saturday 9am – 1pm  
Or visit us at **[www.productcare.co.uk](http://www.productcare.co.uk)**

# ENERGY PERFORMANCE LABEL

The purpose of the energy label is to help you understand a vacuum cleaner's energy efficiency performance.



**1. Energy rating** – based primarily on energy consumption and pick-up.

**2. Annual energy usage** – the amount of energy used over a year.

**3. Emissions** – the amount of dust in the air emitted from the machine's exhaust.

**4. Noise** – the noise level produced by the machine, measured in decibels.

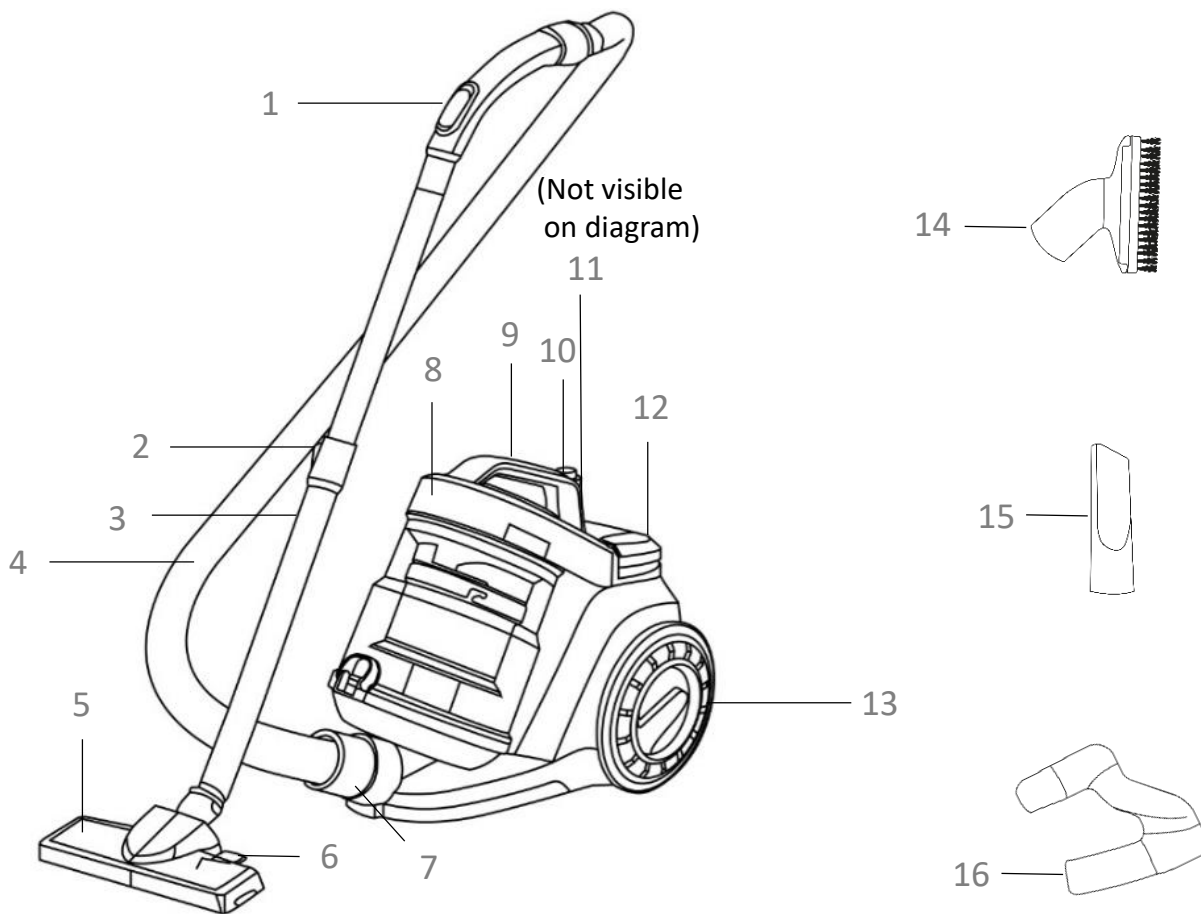
**5. Pick up (carpets)** – the rating of how much dust the machine picks up from carpets.

**6. Pick-up (hard floors/crevices)** – the rating of how much dust the machine picks up from hard floors and crevices.

# TECHNICAL DATA (PRODUCT FICHE)

Trade mark	Russell Hobbs
Model	RHCV30AS11
Energy efficiency class	A
Indicative annual energy consumption (kWh per year), based on 50 cleaning tasks. Actual annual energy consumption will depend on how the appliance is used.	26.6
Carpet cleaning performance class	D
Hard floor cleaning performance class	A
Dust re-emission class	A
Sound power level	78 dB
Rated input power	800W
Spec Code:	15A.09.18.189

# VACUUM FEATURE DIAGRAM



- |          |                        |           |                          |           |                      |
|----------|------------------------|-----------|--------------------------|-----------|----------------------|
| <b>1</b> | Hose suction control   | <b>7</b>  | Hose connector           | <b>13</b> | Wheel                |
| <b>2</b> | Extension lock         | <b>8</b>  | Dust container           | <b>14</b> | Brush tool           |
| <b>3</b> | Extension tube         | <b>9</b>  | Carry handle             | <b>15</b> | Crevice tool         |
| <b>4</b> | Hose                   | <b>10</b> | Container release button | <b>16</b> | On board tool holder |
| <b>5</b> | Floor head             | <b>11</b> | Cord release button      |           |                      |
| <b>6</b> | Floor surface selector | <b>12</b> | Power button             |           |                      |

For Customer Services & Spare Parts please call **0345 209 7461**  
 Opening times: Monday - Friday 8am – 8pm & Saturday 9am – 1pm  
 Or visit us at [www.productcare.co.uk](http://www.productcare.co.uk)

# **VACUUM CLEANER ASSEMBLY**

## **Before using your vacuum cleaner**

Remove all packaging and lay out the separate components.

Check the unit after unpacking for any visual damage such as:

- Misaligned or damaged parts
- Damage to the main body and separate components
- Damage to the plug or cable.

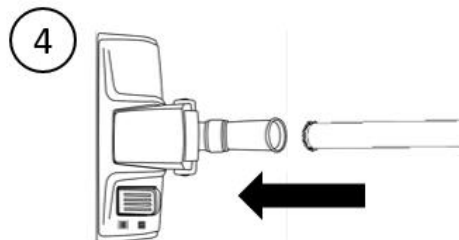
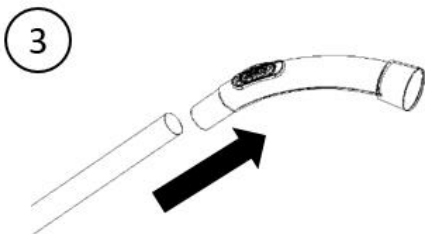
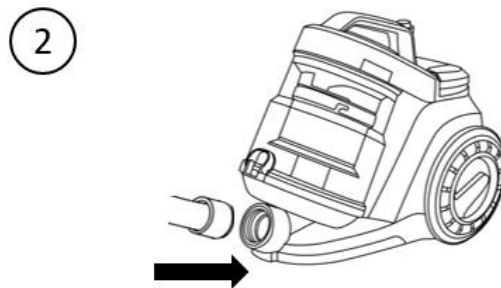
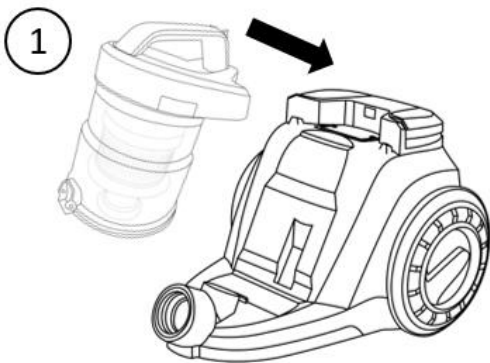
If you can see any damage do not use the vacuum cleaner and contact customer services.

For Customer Services & Spare Parts please call **0345 209 7461**  
Opening times: Monday - Friday 8am – 8pm & Saturday 9am – 1pm  
Or visit us at **[www.productcare.co.uk](http://www.productcare.co.uk)**

# VACUUM CLEANER ASSEMBLY

**Ensure the unit is unplugged before assembling.**

- 1.** Place the dust container onto the unit, base first, then tilt forward to engage the top.
- 2.** Insert the hose connector into the hose outlet, aligning the grooves in the outlet and rotate clockwise to secure the hose connector.
- 3.** Insert the extension tube into the hose connector and push together.
- 4.** Insert the extension tube into the floor head and rotate if necessary.
- 5.** To attach the on board tool holder, align the two connectors on the hose handle into the slots of the on board tool holder and press to secure.

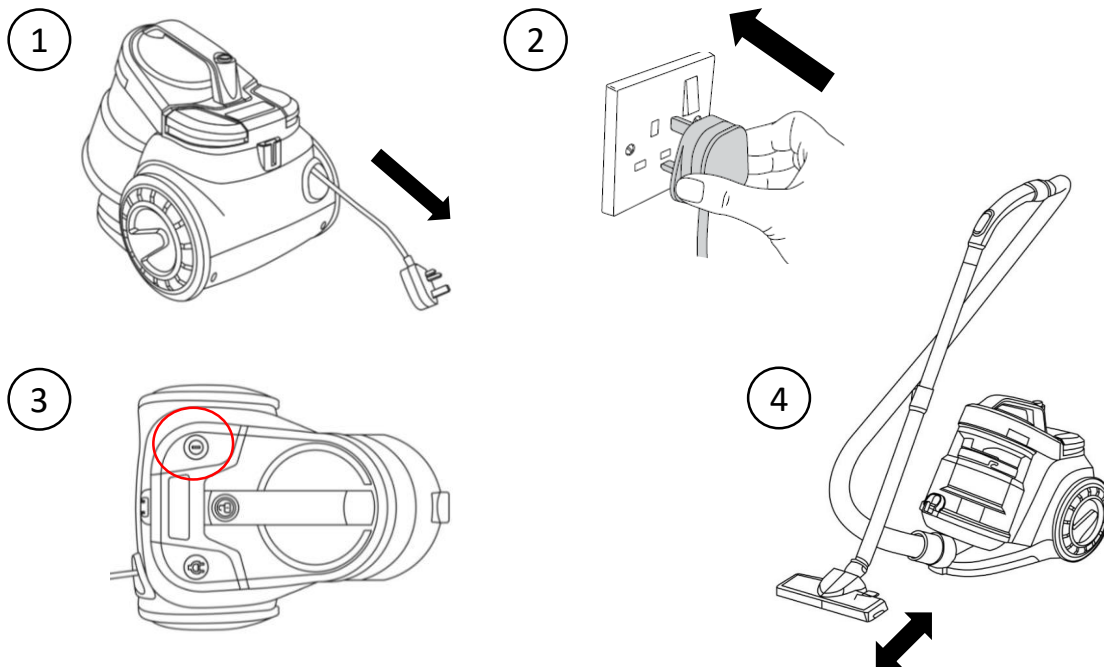


# USING YOUR VACUUM CLEANER

Once assembled:

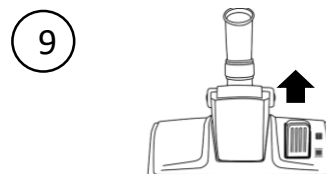
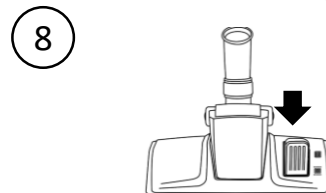
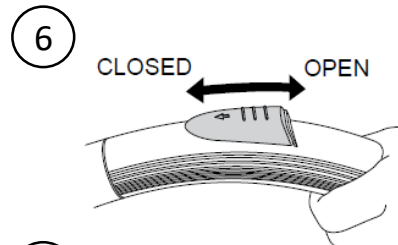
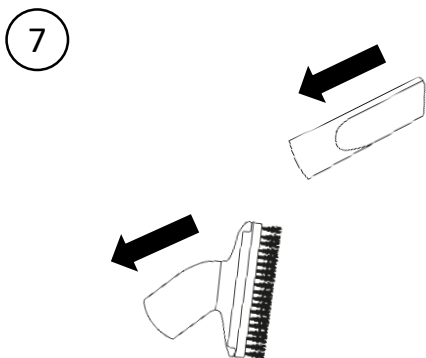
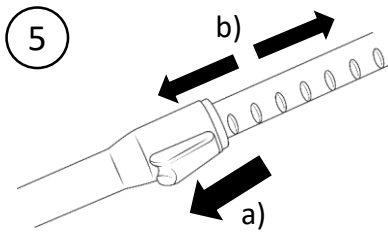
1. The cord is stored inside the unit. Pull the power cord out of the machine to as long as you require and stop when you see the yellow tab. Do not over-extend. If the red tab is visible, then wind the cord back until only the yellow tab is visible.
2. Plug the cable into a wall socket and press the switch on.
3. Press the power button to start vacuuming.
4. Move the vacuum cleaner floor head in a forwards and backwards motion over the areas you would like to clean.

**Note:** Large items can get trapped in the brush/floor head which could cause the unit to overheat. Make sure you pick up larger items that could get trapped before vacuuming.



# USING YOUR VACUUM CLEANER

5. You can adjust the extension tube length to a comfortable cleaning height. To alter the length of the telescopic handle,
- a) Press and hold the extension lock in the direction indicated.
  - b) Slide the steel pole, up or down, to the correct length.
6. Another adjustment you can make is to the suction power of the floor head. To use less suction power, move the suction control tab in the direction indicated. For maximum suction power, close the tab.
- \* The crevice tool is for narrow gaps and hard to reach places. \*The brush tool can be used to sweep dust away from shelving and skirting boards \*
7. All tools attach to either the extension tube or the hose connector in the same manner as the floor head.
8. When using the floor head you can adapt the brush depending on floor type. To clean on hard floors, push the surface selector down so that the brush is showing (refer to diagram.)
9. To clean on carpets, push the surface selector up so the brush is hidden (refer to diagram.)



# USING YOUR VACUUM CLEANER

## Emptying the dust container

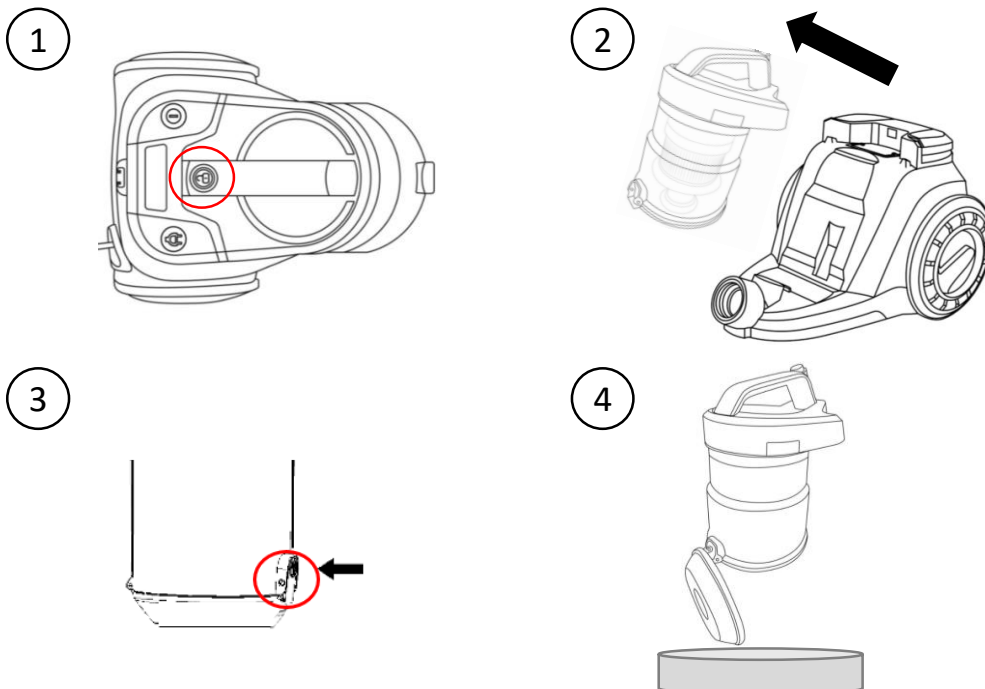
When the dust container starts to fill it will need to be emptied.

1. To remove the dust container, press the release button located at the top of the lid handle.
2. Lift the container away from the unit base.
3. Locate the bin release clip at the back of the container.
4. Over a bin, unclip the base of the container to empty - you may need to tap the sides to empty all of the dirt. Close the base to secure.

### Important:

You may wish to empty the dust container outdoors as emptying may create a dust cloud.

Place the dust container onto the unit, base first, then tilt forward to engage the top.



# CLEANING AND CARE:

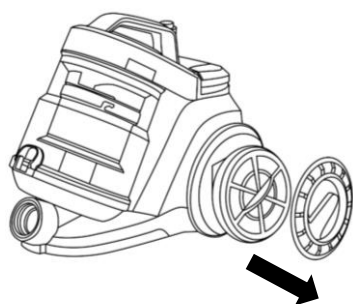
## CLEANING THE FILTER

Before you clean the appliance, disconnect the mains plug from the wall socket.

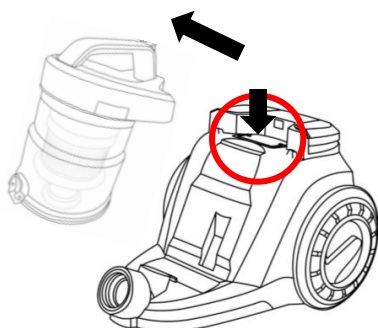
Remove the wheel filter cover, located on the wheel the same side as the power button, by turning the cover to the left to unlock and pulling the cover away.

Turn the HEPA filter to the left to unlock and pull out of the vacuum, tap over a bin to remove any excess dust. Wash in warm water and allow to dry for 24 hours.

Once completely dry, put the filter back into the vacuum and turn to the right to lock. Refit the cover to the wheel and turn to the right to secure in the lock position.



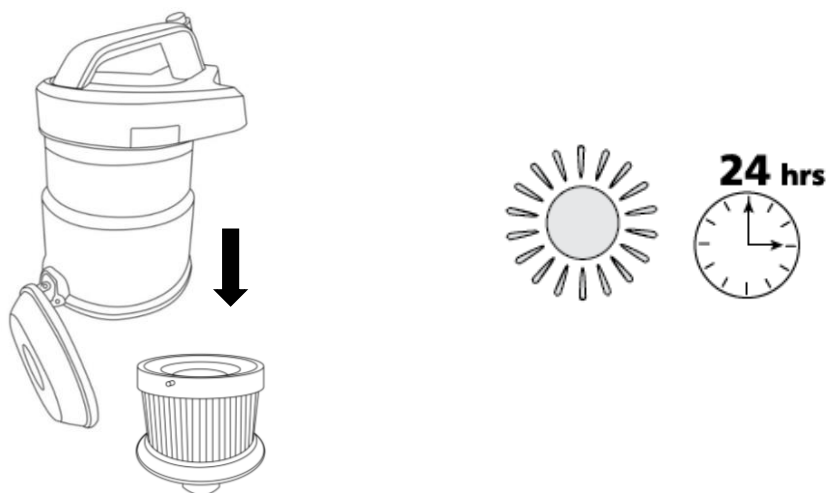
To clean the motor filter, start by lifting the dust container off the main vacuum cleaner unit as the filter is located underneath it shown in the diagram below. Wash it in warm water and allow to dry for 24 hours. Once completely dry, put the filter back and refit the dust container to the main unit



# CLEANING AND CARE:

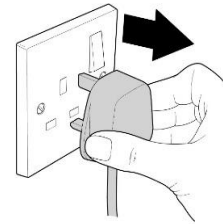
## CLEANING THE FILTER

1. To clean the dust container filter, remove the dust container from the main vacuum cleaner unit and unclip the bottom of the container emptying the contents over a bin.
2. Remove the HEPA filter by twisting anti clockwise.
3. Remove the Velcro cover from around the filter by pulling on the blue tab.
4. Remove the lid by rotating anti clockwise so that the arrow is pointing to the unlock symbol.
5. Wash all parts including the container in water and allow to thoroughly dry for 24 hours before reinserting.
6. Once all parts are dry, wrap the Velcro cover around the filter and insert it into the dust container twisting clockwise to lock into place. Once secure, close the bottom of the dust container.
7. Attach the lid onto the container twisting it clockwise to the lock position.



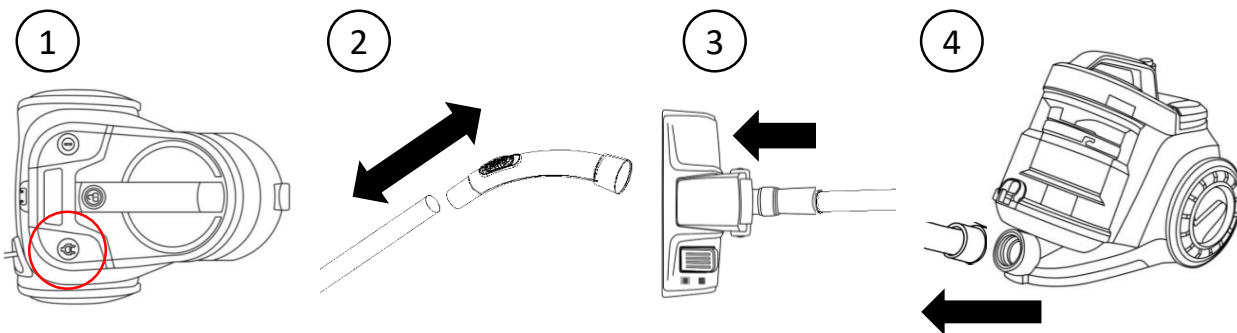
# CLEANING AND CARE

Before you clean the appliance, disconnect the mains plug from the wall socket.



## Disassembly

1. Press the cord rewind button to automatically bring the cord back inside the unit for storage.
2. To remove the extension hose, manoeuvre it away from the hose connector.
3. To remove the floor head/accessory, pull the extension tube/hose connector away from the head/accessory – you may need to ease it off.
4. To remove the hose, rotate the hose connector anti clockwise to unlock and pull the hose away from the unit.



To clean the exterior of the device, use a damp, soft cloth and mild detergent.

**NEVER IMMERSE THE VACUUM IN WATER.**

Wash non-electrical removable accessories in warm soapy water and allow to dry thoroughly before next use.

If the vacuum is damaged, contact the customer service helpline using the details at the bottom of this page.

## Storage

Store in a clean and dry environment.

For Customer Services & Spare Parts please call **0345 209 7461**  
Opening times: Monday - Friday 8am – 8pm & Saturday 9am – 1pm  
Or visit us at [www.productcare.co.uk](http://www.productcare.co.uk)

# PROBLEM SOLVING

<b><u>PROBLEM</u></b>	<b><u>POSSIBLE PROBLEM</u></b>	<b><u>POSSIBLE SOLUTION</u></b>
<b><i>The vacuum cleaner is plugged in but does not work</i></b>	Power cord/plug damage	Check the power cord and plug for signs of damage.
	Fuse is damaged	Check and replace the fuse in the plug.
<b><i>The suction is decreasing and the vacuum is not picking up dirt</i></b>	Dust container	Check if the dust container is full, if so, empty it.
	Filters are dirty	Clean the filters.
	Hose/head blockages	Check that there are no blockages in the hose or cleaning head.
<b><i>Vacuum cleaner is over heating</i></b>	Filters are dirty	Check that the filters are not blocked, if so, clean them following the instructions in this booklet.
<b><i>Automatic power cord rewind does not fully rewind the power cord</i></b>		Pull the power cord fully out and press the rewind button again.
<b><i>Dust is coming out of the vacuum cleaner</i></b>	Dust container fitting	The dust container has not been fitted correctly. Refit the container following the instructions in this booklet.
<b><i>The air coming out of the vacuum cleaner smells</i></b>	Filters are dirty	Clean the filters. Also clean the hose and dust container
	Filters are not dry	Ensure the filters have been left to dry for 24 hours before refitting back into the vacuum cleaner and using.

**We're here should you need us.**

For Customer Services & Spare Parts please call 0345 209 7461

Opening times: Monday - Friday 8am – 8pm & Saturday 9am – 1pm

Or visit us at [www.productcare.co.uk](http://www.productcare.co.uk)

# **GUARANTEE AND CUSTOMER SERVICES**

At Russell Hobbs, we take all our customer feedback seriously.

**Feel free to contact our Product Care Team, on 0345 209 7461  
Monday – Friday: 8am-8pm & Saturday: 9am – 1pm,  
who will be more than happy to assist you.**

This product is guaranteed for **12 months** from the date of the original purchase. If any defect arises due to faulty materials or workmanship, the faulty product must be returned to the place of purchase.

Refund or replacement is at the discretion of the retailer.

## **The following conditions apply:**

- The product must be returned to the retailer with the original proof of purchase.
- The product must be installed and used in accordance with the instructions contained in this instruction guide and any other instructions for use which are supplied.
- It must be used for domestic purposes only and for its intended use.
- This warranty does not cover wear and tear, damage, misuse or consumable parts.

**This does not affect your statutory rights.**

For Customer Services & Spare Parts please call **0345 209 7461**  
Opening times: Monday - Friday 8am – 8pm & Saturday 9am – 1pm  
Or visit us at **[www.productcare.co.uk](http://www.productcare.co.uk)**

# SPARE PARTS

To check the availability of the following spare parts, simply contact our friendly Customer Services team using the details provided at the bottom of this page.

1. Hose
2. Extension tube
3. Air driven floor head
4. Crevice tool
5. Brush tool
6. HEPA filter
7. Wheel filter cover
8. Internal HEPA filter
9. Motor filter

For Customer Services & Spare Parts please call **0345 209 7461**  
Opening times: Monday - Friday 8am – 8pm & Saturday 9am – 1pm  
Or visit us at **[www.productcare.co.uk](http://www.productcare.co.uk)**

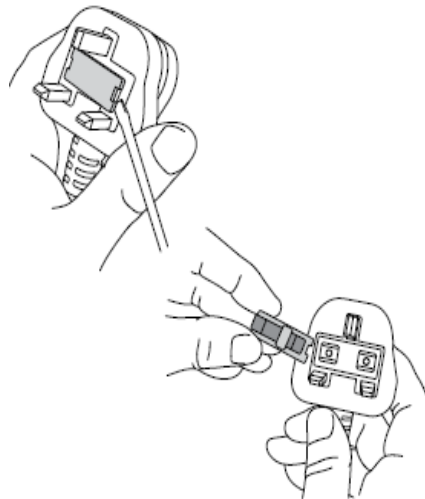
# CONNECTION TO THE MAINS SUPPLY

This appliance is designed to operate from a mains supply of  
220-240V~ 50-60Hz.

Check that the voltage marked on the product corresponds  
with your supply voltage.

## How to change the fuse

1. Slot the end of a screwdriver into the recess in the fuse holder of the plug.
2. Pull the fuse holder upwards until free of the plug and slide the fuse out.
3. Replace the fuse and replace fuse holder, pushing down until locked into place.



**Important:** Only ever use 13 amp fuses.

For Customer Services & Spare Parts please call **0345 209 7461**  
Opening times: Monday - Friday 8am – 8pm & Saturday 9am – 1pm  
Or visit us at [www.productcare.co.uk](http://www.productcare.co.uk)

# NOTES

A large, empty rectangular box with rounded corners and a thin green border, intended for taking notes.

# NOTES

A large, empty rectangular box with rounded corners, outlined in a thin green border, intended for taking notes.



# Russell Hobbs

For Customer Services & Spare  
Parts please call

**0345 209 7461**

Opening times: Monday - Friday  
8am – 8pm & Saturday 9am – 1pm

Or visit us at

**[www.productcare.co.uk](http://www.productcare.co.uk)**

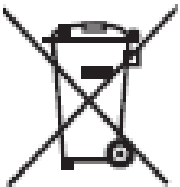
Revision 1.3

Model: **RHCV30AS11**

Spec Code: 15A.09.18.189

Made by G2S Ltd under license.  
G2S Limited, Wigan, WN2 4AY

Russell Hobbs is the registered trademark of  
Spectrum Brands (UK) Ltd.



This symbol is known as the 'Crossed-out wheellie bin Symbol'. When this symbol is marked on a product/batteries, it means that the product/batteries should not be disposed of with your general household waste. Only discard electrical/electronic/battery items in separate collection schemes, which cater for the recovery and recycling of materials contained within. Your co-operation is vital to ensure the success of these schemes and for the protection of the environment. For your nearest disposal facility, visit [www.recycle-more.co.uk](http://www.recycle-more.co.uk) or ask in store for details.

We reserve the right, due to possible changes to design, to alter the instruction manual without prior notice.