

This Owner's Manual is provided and hosted by [Appliance Factory Parts](#).



# George Foreman GRP5842PQ Owner's Manual

[Shop genuine replacement parts for George Foreman  
GRP5842PQ](#)



[Find Your George Foreman Grill Parts - Select From 307 Models](#)

----- Manual continues below -----

# GEORGE FOREMAN®

Please Read and Save this Use and Care Book

Por favor lea este instructivo antes de usar el producto

Veillez lire et conserver ce guide d'entretien et d'utilisation.



Register your product at / Registre su producto a / Inscire votre produit en ligne  
[www.prodprotect.com/applica](http://www.prodprotect.com/applica)

? USA/Canada 1-800-231-9786

Accessories/Parts (USA/Canada)  
Accesorios/Partes (EE.UU/Canadá)  
Accessoires/Pièces (EE.UU/Canadá)

1-800-738-0245

**Model**  
**Modelo**  
**Modèle**

GRP4842

GRP4842 C

# IMPORTANT SAFEGUARDS

When using electrical appliances, basic safety precautions should always be followed, including the following:

- Read all instructions.
- Do not touch hot surfaces. Use handles or knobs.
- To protect against electrical shock do not immerse cord, plugs or appliance in water or other liquid.
- Close supervision is necessary when any appliance is used by or near children.
- Unplug from outlet when not in use and before cleaning. Allow to cool before putting on or taking off parts.
- Do not operate any appliance with a damaged cord or plug, or after the appliance malfunctions or has been damaged in any manner. Call the appropriate toll-free number on the cover of this manual.
- The use of accessory attachments not recommended by the appliance manufacturer may cause injuries.
- Do not use outdoors.
- Do not let cord hang over edge of table or counter, or touch hot surfaces.
- Do not place on or near a hot gas or electric burner, or in a heated oven.
- Extreme caution must be used when moving an appliance containing hot oil or other hot liquids.
- To disconnect, power OFF, then remove plug from wall outlet.
- Do not use this appliance for other than intended use.

## SAVE THESE INSTRUCTIONS.

**This product is for household use only.**

### **POLARIZED PLUG (USA/Mexico)**

This appliance has a polarized plug (one blade is wider than the other). To reduce the risk of electric shock, this plug is intended to fit into a polarized outlet only one way. If the plug does not fit fully into the outlet, reverse the plug. If it still does not fit, contact a qualified electrician. Do not attempt to modify the plug in any way.

### **GROUNDING PLUG (Canada models only)**

As a safety feature, this product is equipped with a grounded plug, which will only fit into a three-prong outlet. Do not attempt to defeat this safety feature. Improper connection of the grounding conductor may result in the risk of electric shock. Consult a qualified electrician if you are in doubt as to whether the outlet is properly grounded.

### **TAMPER-RESISTANT SCREW**

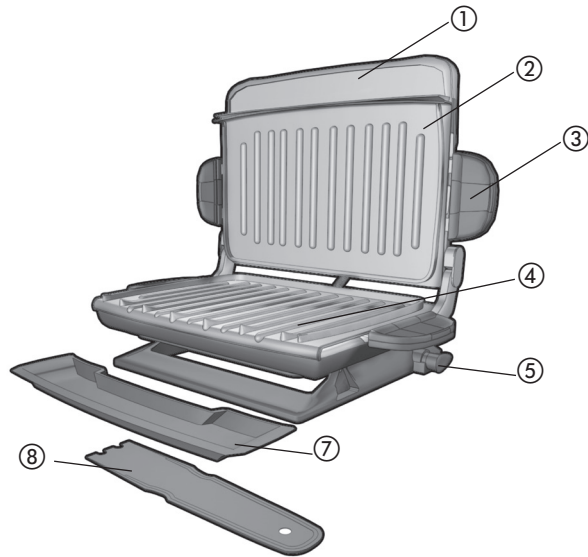
**Warning: This appliance is equipped with a tamper-resistant screw to prevent removal of the outer cover. To reduce the risk of fire or electric shock, do not attempt to remove the outer cover. There are no user-serviceable parts inside. Repair should be done only by authorized service personnel.**

### **ELECTRICAL CORD**

- a) A short power-supply cord (or detachable power-supply cord) is provided to reduce the risk resulting from becoming entangled in or tripping over a longer cord.
- b) Longer detachable power-supply cords or extension cords are available and may be used if care is exercised in their use.
- c) If a long detachable power-supply cord or extension cord is used,
  - 1) The marked electrical rating of the detachable power-supply cord or extension cord should be at least as great as the electrical rating of the appliance,
  - 2) If the appliance is of the grounded type, the extension cord should be a grounding-type 3-wire cord, and
  - 3) The longer cord should be arranged so that it will not drape over the counter-top or tabletop where it can be pulled on by children or tripped over.

**Note:** If the power supply cord is damaged, it should be replaced by qualified personnel. In Latin America, by an authorized service center.

Product may vary slightly from what is illustrated.

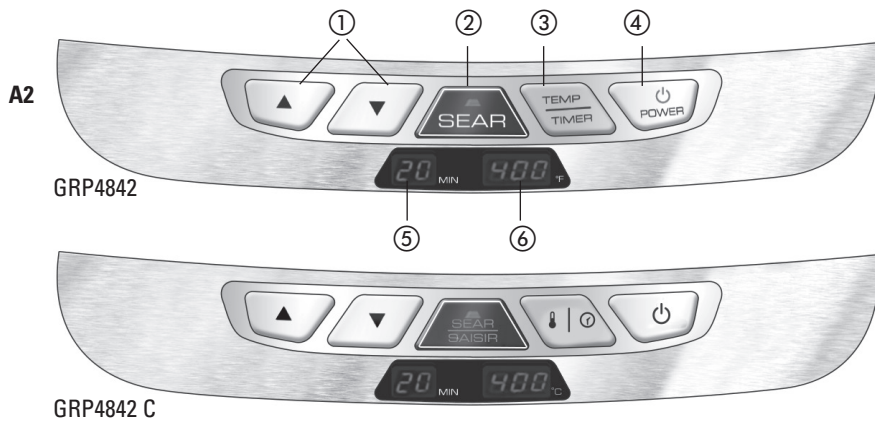


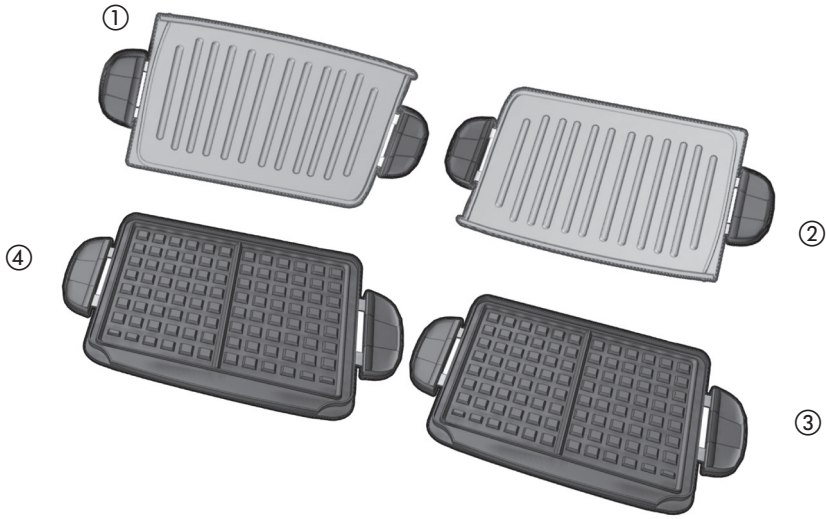
**A1**

- 1. Integrated handle
- † 2. Grill plate (upper) (Part # GRP5842-08)
- 3. Grill plate release handles (both sides)
- † 4. Grill plate (lower) (Part # GRP5842-03)
- 5. Adjustable grill slope knob
- 6. Power cord (not shown)
- † 7. Drip tray (Part # GRP5842-01)
- † 8. Spatula (Part # GRP5842-02)
- † Consumer replaceable/removable parts

- 1. Up/down selection
- 2. Sear button
- 3. Temp/Timer selector

- 4. Power button
- 5. Timer display
- 6. Temp display





A3

Plate	Included	Part #
1. Upper ceramic grill plate	1	GRP5842-08
2. Lower ceramic grill plate	1	GRP5842-03
3. Waffle plate (upper)	1	GRP5842-05
4. Waffle plate (lower)	1	GRP5842-06

## How to use:

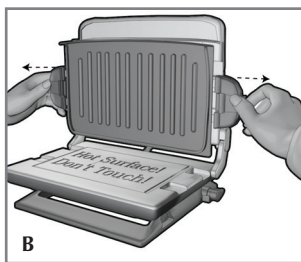
This product is for household use only.

### GETTING STARTED

- Remove all packing material and any stickers.
- Remove and save literature.
- Remove the plastic band around the power plug using scissors
- Wash drip tray as instructed in CARE AND CLEANING section of this manual.
- Wipe grill plates with a damp cloth or sponge to remove any dust. Wipe dry with a soft cloth or paper towels.
- Select location where unit is to be used, leaving enough space between back of unit and wall to allow heat to flow without damage to cabinets and walls.

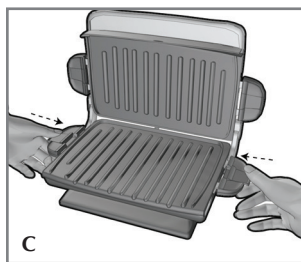
### ATTACH GRILL PLATES

**Important: This appliance should always be used with 2 grill plates securely attached.**



**Ceramic Grill Plates** (See illustration A3)

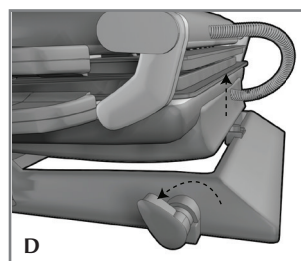
1. Securely attach top and bottom grill plates using release handles on sides of plates (**B and C**).



**Important: When grilling meats, use the grill plates and turn the slope knob so that the grill is in the angled grilling position and drippings drain into the grease tray.**

**Note: This position should only be used when grilling.**

2. Place drip tray under front sloped section of bottom plate on grill.



## WAFFLE PLATES

(See illustration A3)

**Important: When using these plates, make sure bottom plate is in a completely horizontal position (see illustration D, pg 6).**

1. When cooking waffles, securely attach top and bottom waffle plates using release handles on sides of plates.
2. Set temperature at 425° F (220°C) and allow grill to preheat for at least 5 minutes.
3. Waffles take about 8 minutes to cook to golden brown.

## PREHEATING THE GRILL:

1. Close lid on grill.
  2. Unwind cord and plug it into standard electrical outlet. LCD display will show dashes where time and temperature will be displayed.
  3. Press POWER to turn grill on. 5 minutes will appear on timer display and 300° F (145° C) will appear flashing on temperature display.
  4. To adjust the desired cooking time, press the "TEMP/TIMER" function button. The "TEMP/TIMER" allows you to toggle between the two functions to adjust grill settings.
  5. The Timer can be changed at any time in one-minute increments by tapping ▲ or ▼ repeatedly. The Timer can be set for a minimum of 1 minute and maximum of 20 minutes.
  6. Set desired temperature by tapping ▲ repeatedly to select desired temperature. Temperature changes in 25° increments.
    - Temperature settings range from 300° F to 425° F (145° F to 220° C).
    - "SEAR" may also be selected (see "SEARING").
  7. Once preheated, the grill will beep and the temperature will stop flashing.
  8. Carefully place foods to be cooked on bottom grill plate. This grill usually accommodates 5 servings. Do not overload grill.
  9. Close lid and allow food to cook to desired doneness.
- See suggested cooking times found in GRILLING CHART on page 10-11.
10. Using pot holder or oven mitts carefully open lid.
  11. Check food with thermometer to verify doneness after cooking.
  12. When finished cooking, remove cooked food. Press POWER and unplug grill to turn off.

**Important: Heat continues to be ON until the power button is turned off or the grill is unplugged.**

**Note:** Always use heatproof plastic, nylon or wood utensils to avoid scratching

nonstick surface of grill plates. Never use metal skewers, tongs, forks or knives.

### **SEARING DIRECTIONS:**

**Pressing "SEAR" will illuminate the red LED and automatically set the highest temperature (500° F) for a duration of time.**

1. For best searing results, make sure the food surface is free of moisture.
2. Turn on grill and set temperature to 350°F (175°C) then press SEAR. A red LED will illuminate and the display will flash 500°F (260°C) while preheating.
3. When the grill reaches 500°F (260°C) (approximately 8-10 minutes), the temperature display will stop flashing and an audible "beep" will be heard.
4. IMMEDIATELY place food on the grill plate and close lid. Meat will sear for 90 seconds then default back to 350°F (175°C).
5. Continue to cook food to the desired doneness using chart below. Let meat stand 1-2 minutes before cutting

**Caution:** Grill will be hot during searing.

### **GRILLING MEAT, POULTRY, FISH AND SANDWICHES:**

**When grilling meats, poultry and fish, use the grill plates and turn the slope knob so that the grill is in the angled grilling position and drippings drain into the grease tray.**

**When grilling sandwiches, turn the slope knob so that the grill is in the horizontal position.**

1. Select time and temperature desired, following directions in PREHEATING GRILL. Allow time for preheating grill.
2. Before first use, if desired, lightly oil grill plates.

**Note:** Aerosol cooking spray should not be used on ceramic or nonstick surface. Chemicals that allow spray to come out of can build up on surface of grill plates and reduce their efficiency.

3. Carefully place food on bottom grill plate of preheated grill.

**Note:** Do not overload grill plate.

4. Close lid directly onto food

**Note:** Use suggested cooking times found in SUGGESTED GRILLING CHART on page 10.

5. Allow food to cook for selected time.

**Important: Do not leave the appliance unattended during use.**

6. During cooking, timer display will count down. When selected time has elapsed, grill will give audible signal. Grill will remain on until powered off or unplugged.
7. After selected time, food should be done. If you would prefer longer cooking, simply follow steps beginning at step 4.
8. Using pot holder, carefully open lid.
9. Remove cooked food.

**Note:** Always use heatproof plastic, nylon or wood utensils to avoid scratching nonstick surface of grill plates. Never use metal skewers, tongs, forks or knives.

10. Press POWER to turn off and unplug grill.

**Caution: To avoid sparks at outlet while disconnecting plug, make sure unit is powered off before disconnecting plug from outlet.**

11. Allow drip tray to cool before removing from under grill. Wash and dry the drip tray after each use.

**Note:** Be sure liquid in drip tray has cooled.

**Caution:** Do not remove grill plates while grill is hot. Always allow them to cool to room temperature before removing or cleaning.

### SEARING GUIDELINES CHART

FOOD	COOKING TIME (after searing)	RECOMMENDED FINISHED INTERNAL TEMPERATURE
Boneless Steak (¾-1-inch thick) (5 oz.)	Med Rare - Sear + 1 min. Med - Sear + 2 min. Med well - Sear + 3 min.	140°F / 60°C 150°F / 65°C 160°F / 70°C
Boneless Chicken Breast (5 oz.)	Sear + 3 – 4 minutes	170°F / 75°C at thickest point
Salmon Fillet (5 oz.)	Sear + 2 – 4 minutes	140-150°F (60°-60°C). Note: Salmon will continue cooking after it is removed from grill
Fresh Hamburger (5 oz.) ¾-inch thick	Sear + 2 – 3 minutes	160°F / 70°C

**Please note:** To be sure your food is fully cooked the USDA recommends the following guidelines: Use a meat thermometer to test for doneness by inserting the meat thermometer into the center of the food being cooked and make sure the thermometer is not touching the bone.

## SUGGESTED GRILLING CHART FOR MEATS, POULTRY, FISH AND SANDWICHES

The following are meant to be used as a guideline only. Times reflect full grill of food. Cooking time will depend upon thickness and cut being used. Use cooking thermometer as test for doneness. If food needs longer cooking, check periodically to avoid overcooking food.

FOOD	COOKING TIME	COMMENTS
<b>MEAT</b>		
Hamburger (5 oz.)	4 – 6 minutes	¾-inch thick Cooked to medium (160°F / 70°C)
Frozen hamburgers (5 oz.)	5 – 6 minutes	Cooked to medium (160°F / 70°C)
Flank steak (¾ lb.)	6 – 8 minutes	¾-inch thick. Cooked to medium rare (145°F / 63°C)
Skirt steak (½ lb.)	4 – 6 minutes	Cooked to medium (160°F)
NY strip steak (shell steak) (6 oz.)	6 – 8 minutes	¾-inch thick. Cooked to medium rare (145°F / 63°C)
Beef tenderloin (5 oz.)	4 – 6 minutes	¾-inch thick. Cooked to medium rare (145°F / 63°C)
Beef kabobs	5 – 7 minutes	Cooked to medium (160°F / 70°C)
Pork loin chops, boneless	4 – 6 minutes	¾-inch thick Cooked to (160°F / 70°C)
Pork loin chops, bone in	4 – 6 minutes	½ -inch thick Cooked to (160°F / 70°C)
Sausage, link or patty	4 – 6 minutes	Cooked to (160°F / 70°C)
Hot dogs	4 – 5 minutes	Cooked to (168°F / 75°C)
Bacon	6 – 8 minutes	
Smoked pork loin chops, boneless	4 – 6 minutes	Cooked to (160°F / 70°C)
Lamb chops, loin	5 – 7 minutes	¾-inch thick Cooked to medium (160°F / 70°C)

<b>FOOD</b>	<b>COOKING TIME</b>	<b>COMMENTS</b>
<b>POULTRY</b>		
Chicken breast, boneless and skinless (8 oz.)	11 – 13 minutes	Cooked to (170°F/77°C)
Chicken tenderloins (4 to 6 pieces)	4 – 6 minutes	Cooked to (170°F/77°C)
Turkey tenderloin (¾ lb.)	9 – 11 minutes	Cooked to (170°F/77°C)
Turkey burgers (5 oz.)	4 – 6 minutes	Cooked to (170°F/77°C)
<b>FISH</b>		
Tilapia fillets (6 oz., ea.)	5 – 7 minutes	Cooked to (145°F/63°C)
Trout fillet (6 oz.)	4 – 6 minutes	Cooked to (145°F/63°C)
Salmon fillet (8 oz. piece)	5 – 7 minutes	Cooked to (145°F/63°C)
Salmon steak (8 oz.)	7 – 9 minutes	Cooked to (145°F/63°C)
Tuna steak (6 oz.)	4 – 6 minutes	Cooked to (145°F/63°C)
Shrimp	3 – 4 minutes	Cooked to (145°F/63°C)
<b>SANDWICHES</b>		
Grilled cheese	2 – 3 minutes	Cook until cheese is melted and sandwich is golden brown
Grilled cheese with tomato tuna, ham or bacon	3 – 4 minutes	Cook until cheese is melted and sandwich is golden brown
Quesadillas	2 – 3 minutes	Cook until cheese is melted and tortilla is lightly browned

**Please note:** To be sure your food is fully cooked the USDA recommends the following guidelines: Use a meat thermometer to test for doneness by inserting the meat thermometer into the center of the food being cooked and make sure the thermometer is not touching the bone.

# GRILLING FRUITS AND VEGETABLES

The following are meant to be used as a guideline only. The times reflect a full grill of food. Cooking time will depend upon thickness of food. Use a fork inserted into the center of the food to test for doneness. (Be careful not to touch the grill plate.) If the food needs longer cooking, check periodically to avoid overcooking the food.

FOOD	GRILLING TIME
Asparagus spears	4 – 6 minutes
Bell peppers, assorted colors cut into ½-inch rings	5 – 7 minutes
Mushrooms, thickly sliced	4 – 5 minutes
Onion slices, ½-inch	5 – 7 minutes
Potato slices, ½-inch	15 – 18 minutes
Portabella mushrooms, 3-inch diameter	4 – 6 minutes
Zucchini slices, ½-inch	3 – 4 minutes
Fresh pineapple slices, ½-inch	2 – 4 minutes

## GRILLING TIPS:

- To prevent heat loss and promote even cooking, do not open the grill cover frequently while cooking.
- This grill generally accommodates 5 servings; do not overload
- When first cooking a particular food, check for doneness several minutes before suggested time; if necessary, adjust timer using control button.
- If cooking more than one piece of food, try to have them similar in size and thickness.
- Remember that since grill is cooking from both sides, cooking time will typically be shorter than expected. Watch carefully to avoid overcooking.
- For added flavor, add dry seasonings before grilling or marinate foods before cooking.

# CARE AND CLEANING

## CLEANING

**Caution: To avoid accidental burns, allow grill to cool thoroughly before cleaning.**

1. Before cleaning, unplug grill from wall outlet and allow to cool.

**Caution: To avoid sparks at outlet while disconnecting plug, make sure unit is powered off before disconnecting the plug from the outlet.**

**Important: Heating elements will continue to be ON until grill is powered off.**

2. With drip tray in place, use plastic spatula to scrape any excess fat and food particles into the drip tray. Wipe plates dry with a paper towel or sponge.

3. Remove plates as instructed in HOW TO USE (see illustrations B and C). To clean grill plates, wash in warm, soapy water; dry thoroughly with a paper towel.

4. Empty drip tray and wash in warm, soapy water; dry thoroughly with a paper towel.

5. Reinstall grill plates (see illustrations B and C), making sure they are securely attached to grill body.

**Note:** Removable grill plates are also dishwasher-safe. If washing grill plates in a dishwasher, wipe uncoated side with a dry towel to prevent discoloration. Dishwasher detergent may cause oxidation on uncoated side of grill plate. This is not harmful and can be wiped off with a damp towel.

6. To remove stubborn buildup, use a nonmetallic scrubbing pad to clean the grill plates.

**Important: Do not use metallic scrubbing pads, steel wool or any abrasive cleaners to clean any part of your grill; use only nylon or nonmetallic scrubbing pads.**

7. To clean the grill exterior, wipe with a warm, wet sponge and dry with a soft, dry cloth.

**Important: Do not immerse body of grill in water or any other liquid.**

8. Any servicing requiring disassembly other than the above cleaning must be performed by a qualified electrician.

**Caution: Make sure to hold grill housing by the handle while cleaning to prevent accidental closing and injury.**

## STORAGE

- Always make sure grill is clean and dry before storing.

# TROUBLESHOOTING

<b>PROBLEM</b>	<b>POSSIBLE CAUSE</b>	<b>SOLUTION</b>
Finish on grill plates has cut marks.	Metal utensils have been used.	Always use heatproof plastic, nylon or wood utensils to avoid scratching nonstick surface of grill plates. Never use metal skewers, tongs, forks or knives.
Grill marks on food are very light.	Grill was not fully preheated before use.	Always preheat grill at least 5 minutes before cooking any foods.
There is food buildup on grill plates.	Grill not properly cleaned after use.	Use nylon scrubbing pad and hot, soapy water to clean grill plates. Do not use steel wool scrubbing pads or abrasive cleaners to clean grill.
Food is dry and burnt.	Food is overcooked.	Because grill is cooking from both sides, food is cooked much faster than in a skillet or under a broiler. Use cooking chart as a guide and check food at lowest time stated on chart.
Grill does not turn on.	Grill is not plugged in.	Check to be sure appliance is plugged into working outlet and POWER is on.
SEAR cooks longer than 90-seconds	Unit is not preheated to 500°F (non-flashing)	Select "SEAR" and bring to 500°F temperature (non-flashing) prior to placing food on grill plates
Underside of grill plates are discolored	Oxidation caused by dishwasher detergent	Oxidation on uncoated side of plate is not harmful and can be wiped off with a damp towel.

# RECIPES

## CHURRASCO

1 tbsp. Adobo seasoning mix

1 tbsp. instant minced onion

½ tsp dried pepper flakes

½ tsp. garlic pepper

1½ lb. skirt steak

In small bowl, combine seasonings. Sprinkle evenly on both sides of steak.

Refrigerate while preheating grill.

Sear 90 seconds, then grill at 375° F (190° C) to desired doneness.

Slice into strips to serve.

Makes 2 servings.

## HAM AND PINEAPPLE GRILLED SANDWICH

¼ cup pineapple preserves

¼ cup chopped canned peaches

1 tbsp. finely diced candied ginger

4 slices sour dough bread

4 oz. thinly sliced ham

4 oz. brie, sliced

2 tbsp. melted butter

In small bowl, combine preserves, peaches and ginger; set aside. Spread melted butter on one side of each slice of bread.

Place 2 slices of bread buttered side down on cutting board, spread pineapple mixture on bread. Top each slice of bread with ham and cheese. Cover with remaining slices of bread with buttered side up.

Place on preheated grill set at 425° F (220° C). Grill 3-5 minutes or until sandwich is golden and cheese is softened.

Makes 2 sandwiches.

## **TURKEY SALSA ROLL**

¼ cup salsa

1 tbsp. minced red onion

1 tbsp. chopped cilantro

2 large tomato wraps

4 oz. sliced turkey

4 oz. shredded Monterey Jack cheese with jalapeno peppers

In small bowl, combine salsa, onion and cilantro; set aside.

Place wraps on cutting board, spread salsa down center of wrap. Top each with turkey and cheese. Fold in sides and roll-up. Place end side down on preheated grill and close cover. Grill 3-5 minutes at 425° F (220° C). or until sandwich is golden and cheese is melted.

Makes 2 sandwiches.

## **NEED HELP?**

For service, repair or any questions regarding your appliance, call the appropriate 800 number on cover of this book. Please DO NOT return the product to the place of purchase. Also, please DO NOT mail product back to manufacturer, nor bring it to a service center. You may also want to consult the website listed on the cover of this manual.

### **Two-Year Limited Warranty (Applies only in the United States and Canada)**

#### **What does it cover?**

- Any defect in material or workmanship provided; however, Applicia's liability will not exceed the purchase price of product.

#### **For how long?**

- Two years after the date of original purchase.

#### **What will we do to help you?**

- Provide you with a reasonably similar replacement product that is either new or factory refurbished.

#### **How do you get service?**

- Save your receipt as proof of date of sale.
- Check our on-line service site at [www.prodprotect.com/applica](http://www.prodprotect.com/applica), or call our toll-free number, 1-800-231-9786, for general warranty service.
- If you need parts or accessories, please call 1-800-738-0245.

#### **What does your warranty not cover?**

- Damage from commercial use
- Damage from misuse, abuse or neglect
- Products that have been modified in any way
- Products used or serviced outside the country of purchase
- Glass parts and other accessory items that are packed with the unit
- Shipping and handling costs associated with the replacement of the unit
- Consequential or incidental damages (Please note, however, that some states do not allow the exclusion or limitation of consequential or incidental damages, so this limitation may not apply to you.)

#### **How does state law relate to this warranty?**

- This warranty gives you specific legal rights, and you may also have other rights that vary from state to state or province to province.

# INSTRUCCIONES IMPORTANTES DE SEGURIDAD

Cuando se usan aparatos eléctricos, siempre se deben respetar las siguientes medidas básicas de seguridad:

- Por favor lea todas las instrucciones.
- No toque las superficies calientes. Use las asas o las perillas.
- A fin de protegerse contra un choque eléctrico y lesiones a las personas, no sumerja el cable, los enchufes ni el aparato en agua ni en ningún otro líquido.
- Todo aparato eléctrico usado en la presencia de los niños o por ellos mismos requiere la supervisión de un adulto.
- Desconecte el aparato de la toma de corriente cuando no esté en uso y antes de limpiarlo. Espere que el aparato se enfríe antes de instalarle o retirarle piezas y antes de limpiarlo.
- No use ningún aparato eléctrico que tenga el cable o el enchufe averiado, que presente un problema de funcionamiento o que esté dañado. Acuda a un centro de servicio autorizado para que lo examinen, reparen o ajusten o llame gratis al número correspondiente en la cubierta de este manual.
- El uso de accesorios no recomendados por el fabricante del aparato puede ocasionar incendio, choque eléctrico o lesiones a las personas.
- No use este aparato a la intemperie.
- No permita que el cable cuelgue del borde de la mesa o del mostrador ni que entre en contacto con superficies calientes.
- No coloque el aparato sobre ni cerca de las hornillas de gas o eléctricas ni adentro de un horno caliente.
- Tome mucha precaución al mover de un lugar a otro un aparato que contenga aceite u otros líquidos calientes.
- Para desconectar, ajuste todo control a la posición de apagado (OFF) y después, retire el enchufe de la toma de corriente.
- Este aparato se debe usar únicamente con el fin previsto.

## CONSERVE ESTAS INSTRUCCIONES.

**Este aparato eléctrico es para uso doméstico únicamente.**

### **ENCHUFE POLARIZADO (EE.UU/Mexico)**

Este aparato cuenta con un enchufe polarizado (un contacto es más ancho que el otro). A fin de reducir el riesgo de un choque eléctrico, este enchufe encaja en un tomacorriente polarizada en un solo sentido. Si el enchufe no entra en el tomacorriente, inviértalo y si aun así no encaja, consulte con un electricista. Por favor no trate de alterar esta medida de seguridad.

### **ENCHUFE DE TIERRA (Canadá)**

Como medida de seguridad, este producto está equipado con un enchufe de tierra que se conecta a un tomacorriente de tres patas. No trate de alterar esta medida de seguridad. La conexión impropia del conductor de tierra puede resultar en el riesgo de descarga eléctrica. Consulte a un electricista calificado si tiene alguna duda en cuanto a si la salida es correcta a tierra.

### **TORNILLO DE SEGURIDAD**

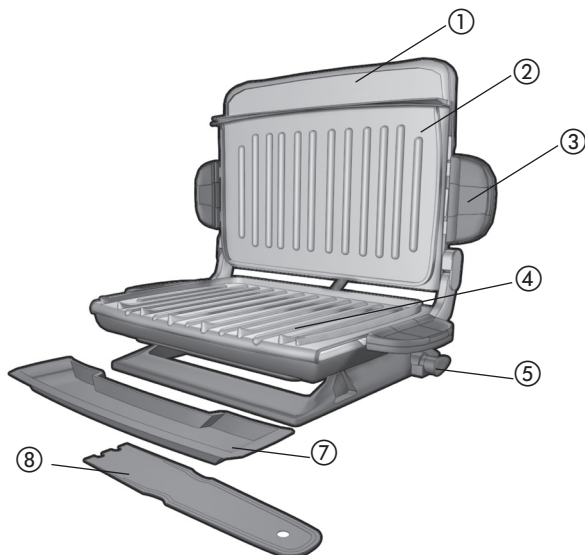
**Advertencia: Este aparato cuenta con un tornillo de seguridad para evitar la remoción de la cubierta exterior del mismo. A fin de reducir el riesgo de incendio o de choque eléctrico, por favor no trate de remover la cubierta exterior. Este producto no contiene piezas reparables por el consumidor. Toda reparación se debe llevar a cabo únicamente por personal de servicio autorizado.**

### **CABLE ELÉCTRICO**

- a) El producto debe proporcionarse con un cable corto (o uno desmontable) para reducir el riesgo de enredarse o de tropezar con un cable largo.
- b) Se encuentran disponibles cables desmontables o de extensión más largos, que es posible utilizar si se emplea el cuidado debido.
- c) Si se utiliza un cable desmontable o de extensión,
  - 1) El voltaje eléctrico del cable desmontable o del cable de extensión debe ser, como mínimo, igual al del voltaje del aparato,
  - 2) Si el aparato es del tipo que va conectado a tierra, el cable de extensión deberá ser un cable de tres alambres conectado a tierra.
  - 3) El cable más largo debe acomodarse de modo que no cuelgue del mostrador o de la mesa, para evitar que un niño tire del mismo o que alguien se tropiece.

**Nota:** Si el cordón de alimentación esta dañado, en América Latina se debe sustituirse por un personal calificado o por el centro de servicio autorizado.

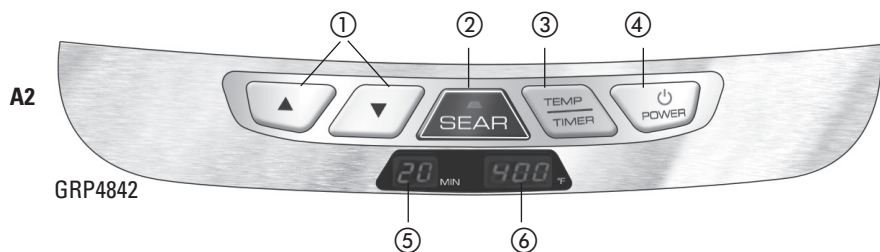
El producto puede variar ligeramente del que aparece ilustrado aquí.



A1

- |   |  |
|---|--|
| 1. Mango integrado  | 5. Ángulo de parrilla ajustable              |
| † 2. Placa para asar (superior)<br>(Pieza N° GRP5842-08)              | 6. Cable de alimentación (no mostrado)       |
| 3. Manijas de lanzamiento de la placa<br>de la parrilla (ambos lados) | † 7. Bandeja de goteo (Pieza N° GRP5842-01)  |
| † 4. Placa para asar (inferior)<br>(Pieza N° GRP5842-03)              | † 8. Espátula (Pieza N° GRP5842-02)          |
|   | † Reemplazable/desmontable por el consumidor |

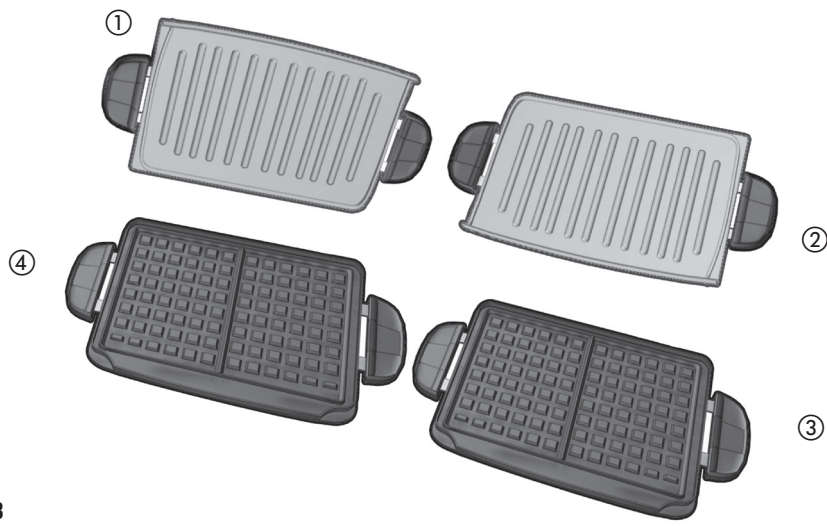
- |   |                            |
|---|----------------------------|
| 1. Selector para subir/bajar la temperatura | 4. Botón de funcionamiento |
| 2. Botón de la función para sellar (Sear)   | 5. Pantalla de tiempo      |
| 3. Selector de temperatura/reloj automático | 6. Pantalla de temperatura |



GRP4842



GRP4842 C



A3

Placa	Incluída(s)	Pieza N°
1. Placa para asar superior	1	GRP5842-08
2. Placa para asar inferior	1	GRP5842-03
3. Placa para waffles (superior)	2	GRP5842-05
4. Placa para waffles (inferior)	2	GRP5842-06

## Como usar:

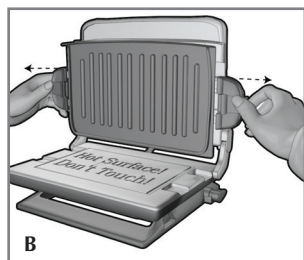
Este producto está diseñado únicamente para uso doméstico.

### PASOS PRELIMINARES

- Retire todas las etiquetas y el material de empaque.
- Retire y guarde la literatura.
- Retire la tira plástica alrededor del enchufe utilizando unas tijeras.
- Lave la bandeja de goteo según se describe en la sección CUIDADO Y LIMPIEZA de este manual.
- Limpie las placas para asar con un paño o una esponja humedecidos para eliminar el polvo. Séquelas con un paño suave o toallas de papel.
- Seleccione el lugar donde se utilizará el aparato, dejando espacio suficiente entre la parte posterior del mismo y la pared de modo que el calor fluya sin dañar los gabinetes o las paredes.

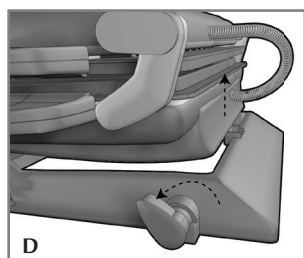
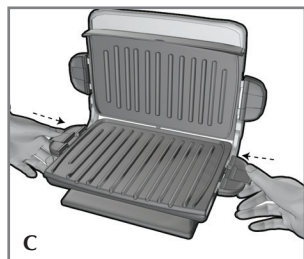
### COLOCACIÓN DE LAS PLACAS PARA ASAR

**Importante: Este aparato debe utilizarse siempre con 2 placas para asar firmemente aseguradas.**



**Placas de cerámica (Consulte la figura A3.)**

1. Coloque la placa para asar superior e inferior usando las palancas de liberación que se encuentran a cada lado de las placas (**B** y **C**).



- Importante: Al usar las placas para asar, gire el control de inclinación para alzar la parte posterior de la placa inferior de manera que ésta quede en un ángulo y así permitir que la grasa se dirija y caiga en la bandeja de grasa. Nota: Esta posición solo debe utilizarse para asar.**
2. Coloque la bandeja de goteo debajo de la sección inclinada de la placa inferior.

## PLACAS PARA WAFLES

(Consulte la figura A3.)

**Importante:** Al utilizar estas placas, asegúrese de que la placa inferior esté en posición completamente horizontal (vea D, p22).

1. Al preparar waffles, coloque la placa superior e inferior para waffles usando las palancas de liberación que se encuentran a cada lado de las placas.
2. Configure la temperatura a 425° F y permita que la parrilla se caliente durante al menos 5 minutos.
3. Los waffles tardan aproximadamente 8 minutos en ponerse dorados.

### PRECALENTAMIENTO DE LA PARRILLA:

1. Cierre la tapa de la parrilla.
2. Desenrolle el cable y conéctelo a una toma de corriente estándar. La pantalla digital mostrará guiones donde aparecerán el tiempo y la temperatura.
3. Presione el botón POWER para encender la parrilla; en la pantalla del cronómetro aparecerán 5 minutos y 300° F aparecerá parpadeando en la pantalla de temperatura.
4. Para cambiar el tiempo de cocción, presione el botón de temperatura/reloj automático (TEMP/TIMER). La función de TEMP/TIMER le permite presionar el botón TEMP/TIMER una y otra vez para alternar de una función a otra hasta alcanzar el ajuste deseado.
5. El tiempo se puede modificar en cualquier momento en incrementos de un minuto tocando ▲ o ▼ reiteradamente. El tiempo mínimo de cocción es de 1 minuto; el máximo es de 20 minutos. La pantalla digital mostrará ON (encendido).
6. Establezca la temperatura deseada tocando ▲ reiteradamente. La temperatura cambia en incrementos de 25°.
  - La temperatura se puede establecer entre 300° F y 425° F.
  - La función para dorar/sellar (SEAR) también puede ser seleccionada (vea INSTRUCCIONES PARA DORAR/SELLAR).
7. Una vez precalentada, la parrilla emitirá un sonido y la temperatura dejará de aparecer intermitentemente.
8. Coloque cuidadosamente los alimentos que se van a cocinar sobre la placa inferior. Generalmente en la parrilla caben de 5 porciones. No sobrecargue la parrilla.
9. Cierre la tapa y cocine los alimentos durante el tiempo deseado.

**Nota:** Utilice los tiempos de cocción sugeridos en la TABLA PARA ASAR en la página 29.

10. Abra la tapa cuidadosamente con la ayuda de agarraderas o mitones.

11. Una vez que termine el ciclo de cocción, utilice un termómetro de cocina para verificar el grado de cocción de los alimentos.
12. Cuando termine de cocinar, retire los alimentos. Presione el botón de funcionamiento y apague el aparato.

**Importante: La parrilla sigue generando calor hasta que se desconecta.**

**Nota:** Utilice siempre utensilios de plástico, nylon o madera que sean resistentes al calor para no rayar la superficie antiadherente de las placas. Nunca utilice pinchos de metal, pinzas, tenedores o cuchillos.

### **INSTRUCCIONES PARA DORAR/SELLAR**

**Cuando se presiona el botón de la función para sellar (SEAR), la luz roja del botón se ilumina y automáticamente se programa la temperatura de cocción más alta (500° F) durante un período de tiempo.**

1. Para mejores resultados de dorado y sellado, asegúrese de que la superficie del alimento esté libre de humedad.
2. Encienda la parrilla y ajuste la temperatura a 350. Luego presione el botón SEAR (dorar/sellar). La luz roja LED del botón se ilumina y la pantalla muestra 500 parpadeando mientras que la parrilla se precalienta.
3. Cuando la parrilla alcanza 500°F (aproximadamente de 8 a 10 minutos), la temperatura parará de mostrarse y una señal audible se escuchará.
4. INMEDIATAMENTE coloque los alimentos sobre la placa de la parrilla y cierre la tapa. La carne se dorará y sellará por 90 segundos y luego cambiará a la temperatura 350°F.
5. Continúe cocinando los alimentos al término deseado, según su gusto, utilizando la tabla que aparece a continuación como guía. Deje reposar la carne de 1 a 2 minutos antes de cortarla.

**Nota:** La parrilla está caliente durante el ciclo de dorado/sellado.

### **INSTRUCCIONES ALTERNAS PARA COCINAR USANDO LA FUNCIÓN PARA DORAR:**

La parrilla funcionará para asar una temperatura máxima al colocarse los alimentos sobre las placas de cocción y después de presionar el botón de la función para dorar, antes de alcanzar la temperatura de precalentamiento de 500°F. En este modo de cocción, la parrilla cocinará pero la temperatura continuará apareciendo intermitentemente hasta que la parrilla se haya precalentado (la temperatura deja de aparecer intermitentemente). A esta temperatura, los alimentos pueden seguir cocinándose a su gusto, antes de que la parrilla alcance 500°F de temperatura.

### **CÓMO ASAR CARNES, AVES, PESCADOS Y SÁNDWICHES:**

**En esta posición, la placa para asar se apoya sobre los alimentos.**

**Cuando esté asando carnes, aves y pescado, gire el control de inclinación localizado en la parte inferior derecha hacia atrás de la parrilla para alzar la parte posterior de la placa inferior y así permitir que la grasa caiga en la**

## **bandeja de goteo.**

**Cuando esté haciendo sandwiches a la parrilla, gire el control de inclinación para colocar las placas en posición horizontal.**

1. Seleccione el tiempo y la temperatura deseados según las instrucciones de la sección PRECALENTAMIENTO DE LA PARRILLA. Agregue tiempo para que la parrilla se precaliente.
2. Antes del primer uso, si lo desea, unte las placas para asar ligeramente con aceite.

**Nota:** No utilice aceite para cocinar en aerosol sobre las superficies de cocción de cerámica o antiadherentes. Los químicos que permiten que el aerosol salga pueden acumularse en la superficie de las placas y reducir su eficiencia.

3. Coloque cuidadosamente los alimentos sobre la placa inferior de la parrilla.

**Nota:** No sobrecargue la placa para asar.

4. Cierre la tapa directamente sobre los alimentos.

**Nota:** Utilice los tiempos de cocción sugeridos en la TABLA PARA ASAR en la página 27-29.

5. Permita que los alimentos se cocinen durante el tiempo seleccionado.

**Importante: Preste atención al aparato durante su uso.**

6. Durante la cocción, el cronómetro contará de forma regresiva. Una vez transcurrido el tiempo seleccionado, la parrilla emitirá un sonido. La parrilla continuará encendida hasta que se apague o se desenchufe.
7. Una vez transcurrido el tiempo seleccionado, los alimentos deberían estar listos. Si prefiere más tiempo de cocción, siga los pasos empezando por el paso 4.
8. Abra la tapa cuidadosamente con la ayuda de agarraderas.
9. Retire los alimentos.

**Nota:** Utilice siempre utensilios de plástico, nylon o madera que sean resistentes al calor para no rayar la superficie antiadherente de las placas. Nunca utilice pinchos de metal, pinzas, tenedores o cuchillos.

10. Presione POWER para apagar y desconectar la parrilla.

**Precaución: Para evitar que se produzcan chispas en el enchufe mientras se desconecta el aparato, asegúrese de que esté apagado antes de desconectarlo.**

11. Permita que la bandeja de goteo se enfríe antes de alejarla de la parrilla. Lave y seque la bandeja de goteo después de cada uso.

**Nota:** Asegúrese de que el líquido de la bandeja de goteo se haya enfriado.

**Precaución: No retire las placas para asar mientras la parrilla aún esté caliente. Permita siempre que se enfríen a temperatura ambiente antes de retirarlas o limpiarlas.**

## GUÍA PARA DORAR/SELLAR

ALIMENTO	TIEMPO DE COCCIÓN (después de sellar)	TEMPERATURA INTERNA FINAL RECOMENDADA
Bistec sin huesos (de ¾ a 1 pulgada de grosor) (5 onzas)	Término medio crudo: dorar 1 minuto más Término medio: dorar 2 minutos más Término medio bien cocinado: dorar 3 minutos más	140°F  150°F  160°F
Pechuga de pollo deshuesado (5 onzas)	dorar 3 – 4 minutos más	170°F en el punto más grueso
Filete de salmón (5 onzas)	dorar 2 – 4 minutos más	140-150°F. Nota: El salmón continuará cocinándose después que se retira de la parrilla.
Hamburguesa (5 onzas) ¾-pulgada de grosor	dorar 2 – 3 minutos más	160°F

**Tenga en cuenta:** Para asegurarse de que su alimento esté completamente cocinado, el Departamento de Agricultura de los Estados Unidos (United States Department of Agriculture, USDA) recomienda las siguientes pautas. Use un termómetro para carnes para comprobar si el alimento está listo insertando el termómetro para carnes en el centro del alimento que está cocinando y asegúrese de que el termómetro no toque el hueso.

# CUADRO PARA ASAR A LA PLANCHA SUGERIDO PARA CARNES, AVES, PESCADOS Y SÁNDWICHES

Los siguientes valores se deben usar como guía únicamente. Los tiempos sugeridos corresponden a la capacidad completa de la plancha. El tiempo de cocción depende del grosor y del corte utilizados. Use un termómetro de cocción para comprobar si el alimento está listo. Si el alimento necesita una cocción más prolongada, verifique periódicamente para evitar cocinarlo en exceso.

ALIMENTO	TIEMPO DE COCCIÓN	COMENTARIOS
<b>CARNE</b>		
Hamburguesa 141,75 g (5 oz)	4 – 6 minutos	1,91 cm (¾ pulgada) de grosor Cocción a término medio 70 °C (160 °F)
Hamburguesas congeladas	5 – 6 minutos	Cocción a término medio 70 °C (160 °F)
Bistec de vacío 340,19 g (¾ lb)	6 – 8 minutos	1,91 cm (¾ pulgada) de grosor Cocción a punto 63 °C (145 °F)
Bistec de falda 226,8 g (½ lb)	4 – 6 minutos	Cocción a término medio 70 °C (160 °F)
Bistec tipo NY (del lomo corto) 170,1 g (6 oz)	6 – 8 minutos	1,91 cm (¾ pulgada) de grosor Cocción a punto 63 °C (145 °F)
Filete de carne de res 141,75 g (5 oz)	4 – 6 minutos	1,91 cm (¾ pulgada) de grosor Cocción a punto 63 °C (145 °F)
Pinchos de carne de res	5 – 7 minutos	Cocción a término medio 70 °C (160 °F)
Chuletas de lomo de puerco, deshuesadas	4 – 6 minutos	1,91 cm (¾ pulgada) de grosor Cocción a 70 °C (160 °F)
Chuletas de lomo de puerco, con hueso	4 – 6 minutos	1,27 cm (½ pulgada) de grosor Cocción a 70 °C (160 °F)
Embutido, salchichita o pati	4 – 6 minutos	Cocción a 70 °C (160 °F)
Hot dogs	4 – 5 minutos	Cocción a 75 °C (168 °F)
Tocino	6 – 8 minutos	

<b>ALIMENTO</b>	<b>TIEMPO DE COCCIÓN</b>	<b>COMENTARIOS</b>
Chuletas de lomo de puerco ahumadas, deshuesadas	4 – 6 minutos	Cocción a 70 °C (160 °F)
Chuletas de cordero, lomo	5 – 7 minutos	1,91 cm (¾ pulgada) de grosor Cocción a término medio 70 °C (160 °F)
<b>AVES</b>		
Pechuga de pollo, deshuesada y sin piel 226,8 g (8 oz)	11 – 13 minutos	Cocción a 77 °C (170 °F)
Lomitos de pollo (4 a 6 trozos)	4 – 6 minutos	Cocción a 77 °C (170 °F)
Lomo de pavo 340,19 g (¾ lb)	9 – 11 minutos	Cocción a 77 °C (170 °F)
Hamburguesas de pavo 141,75 g (5 oz)	4 – 6 minutos	Cocción a 77 °C (170 °F)
<b>PESCADO</b>		
Filetes de tilapia 170,1 g (6 oz) c/u	5 – 7 minutos	Cocción a 63 °C (145 °F)
Filete de trucha 170,1 g (6 oz)	4 – 6 minutos	Cocción a 63 °C (145 °F)
Filete de salmón (8 oz) por pieza	5 – 7 minutos	Cocción a 63 °C (145 °F) 226,8 g
Bistec de salmón (8 oz)	7 – 9 minutos	Cocción a 63 °C (145 °F) 226,8 g
Bistec de atún 170,1 g (6 oz)	4 – 6 minutos	Cocción a 63 °C (145 °F)
Langostinos	3 – 4 minutos	Cocción a 63 °C (145 °F)

ALIMENTO	TIEMPO DE COCCIÓN	COMENTARIOS
<b>SÁNDWICHES</b>		
Queso asado a la plancha	2 – 3 minutos	Cocine hasta que el queso se derrita y el sándwich está dorado
Queso asado a la plancha con tomate, atún, jamón o tocino	3 – 4 minutos	Cocine hasta que el queso se derrita y el sándwich está dorado
Quesadillas	2 – 3 minutos	Cocine hasta que el queso se derrita y la tortilla adquiera un color ligeramente dorado

**Tenga en cuenta:** Para asegurarse de que su alimento esté completamente cocinado, el Departamento de Agricultura de los Estados Unidos (United States Department of Agriculture, USDA) recomienda las siguientes pautas. Use un termómetro para carnes para comprobar si el alimento está listo insertando el termómetro para carnes en el centro del alimento que está cocinando y asegúrese de que el termómetro no toque el hueso.

# ASAR A LA PLANCHA FRUTAS Y VERDURAS

Los siguientes valores se deben usar como guía únicamente. Los tiempos sugeridos corresponden a la capacidad completa de la plancha. El tiempo de cocción depende del grosor del alimento. Introduzca un tenedor en el centro del alimento para comprobar si está listo. (Tenga cuidado de no tocar la placa de la plancha). Si el alimento necesita una cocción más prolongada, verifique periódicamente para evitar cocinarlo en exceso.

ALIMENTO	TIEMPO PARA ASAR A LA PLANCHA
Racimos de espárragos	4 – 6 minutos
Pimientos, diversos colores cortados en aros de 1,27 cm (½ pulgada)	5 – 7 minutos
Hongos, en rebanadas gruesas	4 – 5 minutos
Rebanadas de cebolla, 1,27 cm (½ pulgada)	5 – 7 minutos
Rebanadas de papa, 1,27 cm (½ pulgada)	15 – 18 minutos
Hongos portobello, 7,62 cm (3 pulgadas) de diámetro	4 – 6 minutos
Rebanadas de zucchini, 1,27 cm (½ pulgada)	3 – 4 minutos
Rodajas de piña fresca, 1,27 cm (½ pulgada)	2 – 4 minutos

## CONSEJOS PARA ASAR A LA PLANCHA:

- Para impedir la pérdida de calor y generar una cocción pareja, no abra la tapa de la plancha frecuentemente durante la cocción.
- No llene la plancha en exceso; entran 5 porciones cómodamente.
- Al cocinar por primera vez un alimento específico, compruebe si está listo varios minutos antes del tiempo sugerido; si es necesario, ajuste el temporizador con el botón de control.
- Si cocina más de un trozo de alimento, intente que tengan un tamaño y grosor similares.
- Recuerde que, dado que la plancha cocina de ambos lados, el tiempo de cocción será típicamente más corto que lo esperado. Preste atención para evitar cocinar en exceso.
- Para obtener un sabor más intenso, agregue los condimentos secos antes de asar a la plancha o marine los alimentos antes de cocinarlos.

# Cuidado y limpieza

## LIMPIEZA

**Precaución: Para evitar quemaduras accidentales, espere hasta que la plancha se enfríe completamente antes de limpiarla.**

1. Antes de limpiar, desenchufe la plancha de la toma de corriente de la pared y deje que se enfríe.

**Precaución: Para evitar que se produzcan chispas en la toma de corriente al desconectar el enchufe, asegúrese de que la alimentación eléctrica esté apagada antes de desconectar el enchufe de la toma de corriente.**

**Importante: Las resistencias seguirán estando encendidas hasta desenchufar el electrodoméstico.**

2. Con la bandeja de goteo en su lugar, use una espátula plástica para raspar cualquier exceso de grasa y partículas de comida en la bandeja de goteo. Seque las placas con una toalla de papel o una esponja.
3. Retire las placas según se indica en la sección MODO DE EMPLEO (vea las ilustraciones **B** y **C**). Para limpiar las placas de la plancha, lávelas con agua templada en jabón; séquela bien con una toalla de papel.
4. Vacíe la bandeja de goteo y lávela con agua templada en jabón; séquela bien con una toalla de papel.
5. Vuelva a instalar las placas de la plancha (vea las ilustraciones **B** y **C**), y asegúrese de que estén firmemente sujetas a la estructura de la plancha.

**Nota:** Las placas desmontables de la plancha se pueden lavar en un lavavajillas. Si lava las placas de la plancha en un lavavajillas, limpie el lado no recubierto con una toalla de papel para evitar que se decolore. El detergente del lavavajillas puede provocar oxidación del lado no recubierto de la placa de la plancha. Esto no es nocivo y puede retirarse con una toalla húmeda.

6. Para eliminar las acumulaciones difíciles, use una esponjilla de no metálica para limpiar las placas de la plancha.

**Importante: No use esponjillas metálicas, lana de acero ni limpiadores abrasivos para limpiar ninguna parte de su plancha; use únicamente esponjillas de nailon o no metálicas.**

7. Para limpiar la tapa de la plancha, limpie con una esponja húmeda templada y seque con un trapo seco suave.

**Importante: No sumerja la estructura de la plancha en agua ni en ningún otro líquido.**

8. Cualquier servicio técnico que requiera desarmar la plancha, además de la

limpieza mencionada, debe ser realizado por un electricista calificado.

**Precaución: Asegúrese de sujetar la tapa de la plancha por el tirador al limpiarla para evitar que se cierre accidentalmente y provoque lesiones.**

### ALMACENAMIENTO

- Siempre asegúrese de que la plancha esté limpia y seca antes de almacenarla.

## DETECCIÓN DE FALLAS

PROBLEMA	CAUSA POSIBLE	SOLUCIÓN
Las terminaciones de las placas de la plancha tienen marcas de cortes.	Se han utilizado utensilios de metal.	Siempre use utensilios de plástico, nailon o madera antitérmicos para evitar rayar la superficie antiadherente de las placas de la plancha. Nunca use espetones, pinzas, tenedores ni cuchillos de metal.
Las marcas del asado a la plancha en los alimentos son muy leves.	No se precalentó la plancha completamente antes de usarla.	Siempre precaliente la plancha, por lo menos, 5 minutos antes de cocinar cualquier alimento.
Hay acumulación de comida en las placas de la plancha.	No se limpió la plancha correctamente después de usarla.	Use esponjillas de nailon y agua caliente en jabón para limpiar las placas de la plancha. No use esponjillas de lana de acero ni limpiadores abrasivos para limpiar la plancha.
El alimento está seco y quemado.	El alimento se ha cocinado en exceso.	Dado que la plancha cocina de ambos lados, los alimentos se cocinan mucho más rápidamente que en una sartén o en un asador. Use el cuadro de cocción como guía y controle el alimento cuando haya pasado el tiempo más bajo establecido en el cuadro.
La plancha no enciende.	La plancha no está enchufada.	Compruebe que el electrodoméstico esté enchufado en una toma de corriente que funcione y que el interruptor de encendido/ apagado esté en la posición de encendido.
La parte inferior de las placas están descoloridas.	Oxidación causada por líquido detergente para máquina lavaplatos	Oxidación presente en el lado sin revestimiento de la placa no es dañino y se puede limpiar con una toalla humedecida.

# RECETAS

## CHURRASCO

1 cda. mezcla de sazón Adobo

1 cda. cebolla seca finamente picada

½ cda. escamas de pimienta seca

½ cda. pimienta con ajo

1½ lb. bistec de falda de res

En un tazón pequeño, combine los condimentos. Rocíe uniformemente en ambos lados del bistec. Refrigérela mientras se precalienta la parrilla.

Ajuste la parrilla al nivel 375° F al punto deseado.

Corte en tiras para servir.

Rinde 2 porciones.

## SÁNDWICH ASADO DE JAMÓN CON PIÑA

¼ taza conserva de piña

¼ taza melocotones enlatados, picados

1 cda. jengibre caramelizado, picado finamente

4 rebanadas pan de masa agria

4 oz. jamón, en tajadas finas

4 oz. queso brie, tajado

2 cdas. mantequilla derretida

En un tazón pequeño, combine la conserva, el melocotón y jengibre; ponga aparte. Unte la mantequilla derretida en un lado de cada rebanada de pan.

Coloque 2 rebanadas de pan con el lado untado de mantequilla hacia abajo sobre la tabla de cortar, y úntelas con la mezcla de piña. Cubra cada rebanada con el jamón y el queso. Cubra con las rebanadas de pan restantes, con el lado untado de mantequilla hacia arriba.

Coloque sobre la parrilla precalentada (425° F) y cierre la tapa. Cocine durante 3-5 minutos o hasta que doren y el queso se haya ablandado.

Rinde 2 sándwiches.

## **ENROLLADO DE PAVO CON SALSA**

¼ taza salsa envasada

1 cda. cebolla morada, picada finamente

1 cda. cilantro picado

2 tortillas de harina con sabor a tomate

4 oz. pavo en tajadas

4 oz. queso tipo Monterey Jack con chile jalapeño

En un tazón pequeño, combine la salsa, la cebolla y el cilantro; ponga aparte.

Coloque las envolturas sobre la tabla de cortar y unte la mezcla de salsa en el centro. Cubra cada una con el pavo y el queso. Enróllelas y colóquelas con la orilla hacia abajo sobre la parrilla precalentada (ajuste al nivel 4) y cierre la tapa. Cocine durante 3 minutos o hasta que el sándwich esté dorado y el queso se haya derretido.

Rinde 2 sándwiches.

## **¿NECESITA AYUDA?**

Para servicio, reparaciones o preguntas relacionadas al producto, por favor llame gratis al número "800" que aparece en la cubierta de este manual. No devuelva el producto al establecimiento de compra. No envíe el producto por correo al fabricante ni lo lleve a un centro de servicio. También puede consultar el sitio web que aparece en la cubierta de este manual.

### **Dos años de garantía limitada (Aplica solamente en Estados Unidos o Canadá)**

#### **¿Qué cubre la garantía?**

- La garantía cubre cualquier defecto de materiales o de mano de obra. Applica no se responsabiliza por ningún costo que exceda el valor de compra del producto.

#### **¿Por cuánto tiempo es válida la garantía?**

- Por dos años a partir de la fecha original de compra.

#### **¿Qué clase de asistencia recibe el consumidor?**

- El consumidor recibe un producto de reemplazo nuevo o restaurado de fábrica, parecido al original.

#### **¿Cómo se obtiene el servicio necesario?**

- Conserve el recibo original como comprobante de la fecha de compra.
- Se puede visitar el sitio web de asistencia al consumidor [www.prodprotect.com/applica](http://www.prodprotect.com/applica), o se puede llamar gratis al número 1-800-231-9786, para obtener información relacionada al servicio de garantía.
- Si necesita piezas o accesorios, por favor llame gratis al 1-800-738-0245.

#### **¿Qué aspectos no cubre esta garantía?**

- Los daños al producto ocasionados por el uso comercial
- Los daños ocasionados por el mal uso, abuso o negligencia
- Los productos que han sido alterados de cualquier manera
- Los productos utilizados o reparados fuera del país original de compra
- Las piezas de vidrio y demás accesorios empacados con el aparato
- Los gastos de tramitación y embarque relacionados con el reemplazo del producto
- Los daños y perjuicios indirectos o incidentales (sin embargo, por favor observe que algunos estados no permiten la exclusión ni la limitación de los daños y perjuicios indirectos ni incidentales, de manera que esta restricción podría no aplicar a usted).

#### **¿Qué relación tiene la ley estatal con esta garantía?**

- Esta garantía le otorga derechos legales específicos y el consumidor podría tener otros derechos que varían de una región a otra.

# IMPORTANTES CONSIGNES DE SÉCURITÉ

Lorsqu'on utilise des appareils électriques, il faut toujours respecter certaines règles de sécurité fondamentales, notamment les suivantes :

- Lire toutes les directives.
- Ne pas toucher aux surfaces chaudes; utiliser les poignées et les boutons.
- Afin d'éviter les risques de choc électrique, ne pas immerger le cordon, la fiche ou l'appareil dans l'eau ou tout autre liquide.
- Exercer une étroite surveillance lorsque l'appareil est utilisé par un enfant ou près d'un enfant.
- Débrancher l'appareil lorsqu'il ne sert pas ou avant de le nettoyer. Laisser l'appareil refroidir avant d'y placer ou d'en retirer des composantes, et de le nettoyer.
- Ne pas utiliser un appareil dont la fiche ou le cordon est abîmé, qui fonctionne mal ou qui a été endommagé de quelque façon que ce soit. Pour un examen, une réparation ou un réglage, rapporter l'appareil à un centre de service autorisé. Ou composer le numéro sans frais inscrit sur la page couverture du présent guide.
- L'utilisation d'accessoires non recommandés par le fabricant de l'appareil peut occasionner des blessures.
- Ne pas utiliser l'appareil à l'extérieur.
- Ne pas laisser pendre le cordon sur le bord d'une table ou d'un comptoir ni le laisser entrer en contact avec une surface chaude.
- Ne pas placer l'appareil sur le dessus ou près d'un élément chauffant électrique ou à gaz ni dans un four chaud.
- Faire preuve de grande prudence pour déplacer un appareil contenant de l'huile brûlante ou autre liquide chaud.
- Pour débrancher l'appareil, retirer la fiche de la prise.
- N'utiliser cet appareil que pour les fonctions auxquelles il est destiné.

## CONSERVER CES INSTRUCTIONS.

**L'APPAREIL EST CONÇU POUR UNE UTILISATION  
DOMESTIQUE SEULEMENT.**

## **FICHE POLARISÉE (ÉTATS-UNIS/MEXIQUE)**

Cet appareil est doté d'une fiche polarisée (l'une des broches est plus large que l'autre). Afin de réduire les risques de choc électrique, la fiche se branche dans une prise polarisée dans un sens seulement. Si la fiche n'entre pas complètement dans la prise, tourner la fiche. Si la fiche n'entre toujours pas, communiquer avec un électricien qualifié. Ne pas tenter de modifier la fiche.

## **FICHE MISE À LA TERRE (Canada)**

Par mesure de sécurité, le produit comporte une fiche mise à la terre qui n'entre que dans une prise à trois trous. Il ne faut pas neutraliser ce dispositif de sécurité. La mauvaise connexion du conducteur de terre présente des risques de secousses électriques. Communiquer avec un électricien certifié lorsqu'on se demande si la prise est bien mise à la terre.

## **VIS INDESSERRABLE**

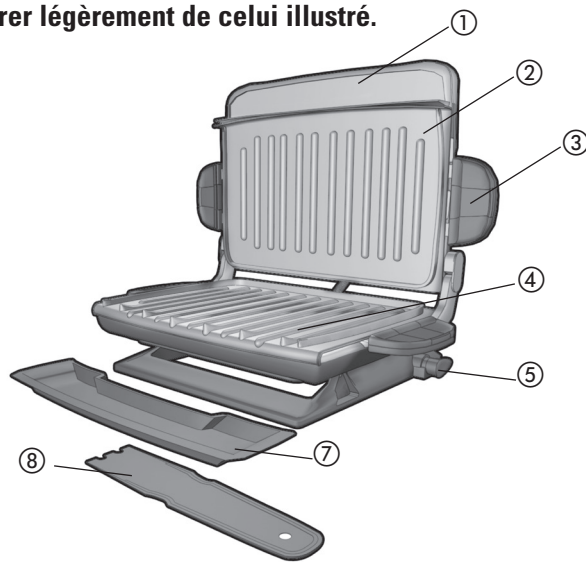
**AVERTISSEMENT : L'appareil est doté d'une vis indesserrable empêchant l'enlèvement du couvercle extérieur. Pour réduire les risques d'incendie ou de secousses électriques, ne pas tenter de retirer le couvercle extérieur. L'utilisateur ne peut pas remplacer les pièces de l'appareil. En confier la réparation seulement au personnel des centres de service autorisés.**

## **CORDON**

- a) Un cordon d'alimentation court est fourni pour éviter qu'un cordon long s'emmêle ou fasse trébucher.
- b) Des rallonges électriques sont disponibles et peuvent être utilisées avec prudence.
- c.) Si vous utilisez un cordon d'alimentation amovible long ou une rallonge :
  - a) le calibre indiqué du cordon d'alimentation amovible ou de la rallonge doit être au moins aussi élevé que celui de l'appareil;
  - b) si l'appareil est mis à la terre, la rallonge doit être de type mise à la terre avec 3 broches;
  - c) le cordon d'alimentation long doit être disposé de façon à ce qu'il ne pende pas du comptoir ou de la table, qu'il ne soit pas à la portée des enfants et qu'il ne fasse pas trébucher.

**Remarque:** Si le cordon d'alimentation est endommagé, le faire remplacer par un technicien qualifié ou, en Amérique latine, par un centre de service autorisé.

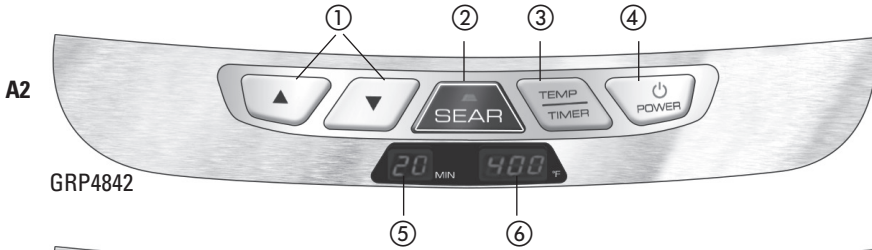
**Le produit peut différer légèrement de celui illustré.**



**A1**

- |   |   |
|---|---|
| 1. Poignée intégrée                                     | 6. Cordon d'alimentation (non illustré)                                 |
| † 2. Plaque (supérieure) (pièce n° GRP5842-08)          | † 7. Plateau d'égouttage (pièce n° GRP5842-01)                          |
| 3. Poignées de dégagement de la plaque (de chaque côté) | † 8. Spatule (pièce n° GRP5842-02)                                      |
| † 4. Plaque (inférieure) (pièce n° GRP5842-03)          | Le symbole † indique une pièce amovible/ remplaçable par l'utilisateur. |
| 5. Bouton de réglage de l'angle du grill                |   |

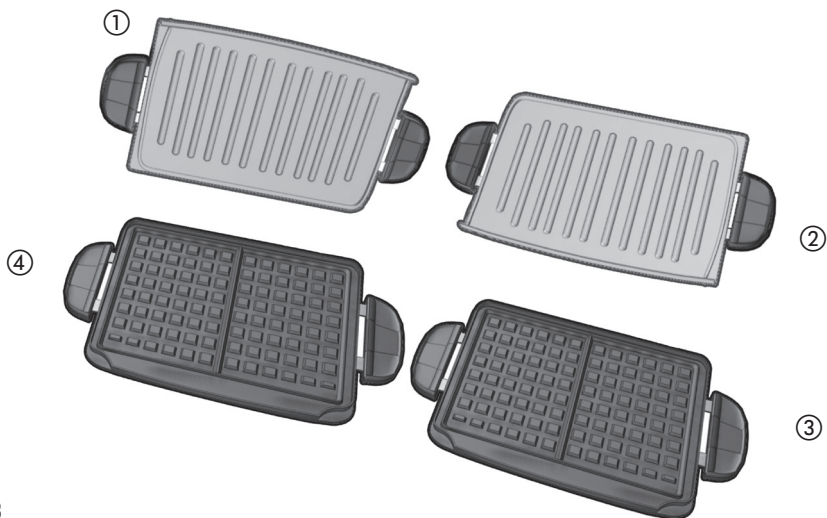
- |                                       |                                |
|---------------------------------------|--------------------------------|
| 1. Sélection +/-                      | 5. Afficheur de la minuterie   |
| 2. Bouton SEAR (SAISIR)               | 6. Afficheur de la température |
| 3. Sélecteur de température/minuterie |                                |
| 4. Interrupteur marche/arrêt          |                                |



GRP4842



GRP4842 C



A3

Plate	Included	Part #
1. Plaque du gril supérieure en céramique	1	GRP5842-08
2. Plaque du gril inférieure en céramique	1	GRP5842-03
3. plaques à gaufres (supérieure)	1	GRP5842-05
4. plaques à gaufres (inférieure)	1	GRP5842-06

# Utilisation

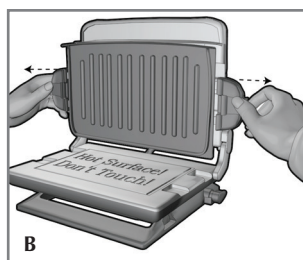
Cet appareil est conçu pour un usage domestique seulement.

## POUR COMMENCER

- Retirer tous les matériaux d'emballage et les autocollants sur le produit.
- Retirer et conserver la documentation.
- Retirer la bande de plastique entourant la fiche en utilisant des ciseaux.
- Laver le plateau d'égouttage en suivant les directives de la section ENTRETIEN ET NETTOYAGE du présent guide.
- Nettoyer les plaques du gril à l'aide d'un linge humide ou d'une éponge pour enlever la poussière. Essuyer à l'aide d'un chiffon doux ou avec du papier essuie-tout.
- Choisir un endroit où placer l'appareil en laissant suffisamment d'espace entre l'arrière de l'appareil et le mur pour permettre à la chaleur de circuler sans endommager les murs ou les armoires.

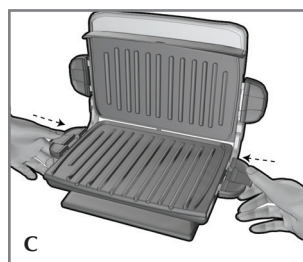
## FIXATION DES PLAQUES AMOVIBLES

**Important:** Cet appareil doit toujours être utilisé avec deux plaques bien fixées en place.



### Ceramic Grill Plates (A3)

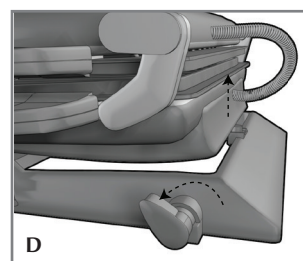
1. Fixer solidement les plaques supérieure et inférieure du gril à l'aide des poignées de dégagement situées de chaque côté des plaques (**B et C**).



**Important :** Lorsque les plaques de gril sont utilisées, soulever l'arrière du gril au moyen du bouton situé à l'arrière du côté droit de l'appareil, de sorte que la graisse coule dans le plateau d'égouttage (**D**).

**Mise en garde :** La position inclinée doit uniquement être utilisée pendant le grillage des aliments.

2. Placer le plateau d'égouttage sous la section avant inclinée de la plaque inférieure du gril.



## PLAQUES À GAUFRES

(voir l'illustration **A3**)

**Important : Lorsque cette plaque est utilisée, s'assurer que le gril est complètement en position horizontale (voir l'illustration **D**, page 40).**

1. Fixer solidement les plaques supérieure et inférieure du gril à gaufres à l'aide des poignées de dégagement situées de chaque côté des plaques.
2. Régler la température à 220 °C (425 °F) et préchauffer le gril pendant au moins 5 minutes.
3. Il faut environ 8 minutes pour que les gaufres prennent une couleur brun doré.

## PRÉCHAUFFAGE DU GRIL

1. Fermer le couvercle du gril.
2. Dérouler le cordon d'alimentation et le brancher dans une prise de courant standard. L'écran ACL affiche des tirets à l'endroit où apparaîtront l'heure et la température.
3. Appuyer sur l'interrupteur MARCHE/ARRÊT pour mettre le gril en marche; 5 minutes apparaîtront à l'afficheur de la minuterie et 145 °C (300 °F) clignoteront à l'afficheur de la température.
4. Pour ajuster le temps de cuisson désiré, appuyer sur le bouton de fonction « TEMP/TIMER » (température/minuterie).

Le bouton TEMPÉRATURE/MINUTERIE vous permet de basculer entre les deux fonctions pour ajuster les réglages du gril.

5. Il est possible de modifier la minuterie n'importe quand en appuyant sur la touche ▲ ou ▼ autant de fois que désiré. La minuterie peut être réglée pour un minimum de 1 minute et un maximum de 20 minutes.
6. Régler la température désirée en appuyant sur la touche ▲ autant de fois que désiré. La température change par tranches de 15 °C (25 °F).
  - Les réglages de température varient de 145°C (300 °F) à 220 °C (425 °F).
  - Le réglage « SEAR » peut aussi être sélectionné (voir « SAISIR »).
7. Une fois préchauffé, le gril émettra un bip et la température cessera de clignoter.
8. Placer délicatement les aliments à cuire sur la plaque inférieure du gril. Ce gril permet généralement de cuire 5 portions. Ne pas surcharger la plaque.
9. Fermer le couvercle et laisser les aliments cuire au degré de cuisson désiré. Utiliser les temps de cuisson suggérés dans le TABLEAU DE CUISSON à la page 44-46.
10. Ouvrir le gril avec précaution à l'aide d'une poignée pour le four ou de gants de cuisine.
11. Après la cuisson, vérifier le degré de cuisson à l'aide d'un thermomètre.
12. Lorsque la cuisson est terminée, retirer les aliments. Appuyer sur l'interrupteur MARCHE/ARRÊT et débrancher le gril pour l'éteindre.

**Important : Les éléments chauffants demeureront en marche jusqu'à ce que l'interrupteur Marche/Arrêt soit éteint ou que l'appareil soit débranché.**

**Remarque :** Toujours utiliser des ustensiles résistants à la chaleur en plastique, en nylon ou en bois, pour éviter d'égratigner la surface antiadhésive des plaques. Ne jamais utiliser de broches, de pinces, de fourchettes ou de couteaux métalliques.

#### **DIRECTIVES POUR SAISIR LES ALIMENTS :**

**En appuyant sur « SEAR » (saisir), un témoin à DEL rouge s'allume et la température la plus élevée (260 °C / 500 °F) est automatiquement réglée pour une période de temps donnée.**

1. Pour mieux saisir les aliments, s'assurer que leur surface est exempte d'humidité.
2. Mettre le gril en marche et régler la température à 175 °C (350 °F), puis appuyer sur « SEAR » (saisir). Un témoin à DEL rouge s'allume; l'afficheur clignote et indique « 500 °F » (260 °C).
3. Lorsque le gril atteint 260 °C (500 °F, soit environ 8 à 10 minutes), l'afficheur de la température cesse de clignoter et un bip se fait entendre.
4. Placer IMMÉDIATEMENT les aliments sur la plaque du gril et fermer le couvercle. La viande sera saisie pendant 90 secondes, puis la température repassera à 175 °C (350 °F) par défaut.
5. Poursuivre la cuisson des aliments au degré de cuisson désiré selon le tableau ci-dessous. Laisser reposer la viande pendant 1 à 2 minutes avant de la couper.

**Mise en garde :** Pendant la saisie, le gril sera très chaud!

#### **GRILLAGE DES VIANDES, DE LA VOLAILLE, DU POISSON ET DES SANDWICHES :**

**Pour le grillage des viandes, de la volaille et du poisson, utiliser les plaques du gril et tourner le bouton de réglage de l'inclinaison de sorte que le gril soit en position de grillage inclinée et que la graisse coule dans le plateau à graisse.**

**Pour le grillage des sandwichs, tourner le bouton de réglage de l'inclinaison de sorte que le gril soit dans la position horizontale.**

1. Sélectionner le temps de cuisson et la température désirés en suivant les instructions de la section PRÉCHAUFFAGE DU GRIL. Tenir compte du temps requis pour le préchauffage.
2. Huiler légèrement les plaques avant la première utilisation, au besoin.

**Remarque:** Éviter l'emploi d'aérosol de cuisson sur les surfaces antiadhésives. Les produits chimiques permettant la vaporisation peuvent s'accumuler sur la surface des plaques du gril et réduire leur efficacité.

3. Placer délicatement les aliments à cuire sur la plaque inférieure du gril préchauffé.

**Remarque:** Ne pas surcharger la plaque.

4. Refermer le couvercle directement sur les aliments.

**Remarque:** Utiliser les temps de cuisson suggérés dans le TABLEAU DE CUISSON aux pages 44 à 45.

5. Laisser les aliments cuire pendant le temps de cuisson sélectionné.

**Important : Ne pas laisser l'appareil sans surveillance pendant qu'il fonctionne.**

6. L'afficheur de la minuterie indique le décompte pendant la cuisson. Le gril émettra un signal audible une fois le temps de cuisson sélectionné écoulé. Le gril restera en marche jusqu'à ce qu'il soit éteint ou débranché.
7. Une fois le temps de cuisson écoulé, les aliments devraient être cuits. Pour prolonger le temps de cuisson, il suffit de suivre les instructions débutant à l'étape 4.
8. Ouvrir le gril avec précaution à l'aide d'une poignée de cuisine.
9. Retirer les aliments.

**Remarque :** Toujours utiliser des ustensiles résistants à la chaleur en plastique, en nylon ou en bois, pour éviter d'égratigner la surface antiadhésive des plaques. Ne jamais utiliser de broches, de pinces, de fourchettes ou de couteaux métalliques.

10. Appuyer sur l'interrupteur MARCHE/ARRÊT pour éteindre le gril, puis débrancher le gril.

**Mise en garde :** Pour éviter toute étincelle à proximité de la prise au moment du débranchement, s'assurer que l'appareil est arrêté avant de débrancher le cordon de la prise de courant.

11. Laisser refroidir le liquide dans le plateau d'égouttage avant de retirer le plateau d'égouttage de sous le gril. Laver et sécher le plateau d'égouttage après chaque utilisation.

**Remarque :** Assurez-vous que le liquide dans le plateau d'égouttage a refroidi.

**Attention:** Ne retirez pas les plaques du gril pendant que le gril est chaud. Toujours laisser les refroidir à température ambiante avant de retirer ou de le nettoyer.

## GUIDE POUR LA CUISSON DES ALIMENTS

ALIMENT	TEMPS DE CUISSON (après saisie)	TEMPÉRATURE INTERNE RECOMMANDÉE APRES CUISSON
Bifteck désossé (épaisseur de 1,9 à 2,5 cm (3/4 à 1 po) (115 g/5 oz))	Mi-saignant - Saisie + 1 min. À point - Saisie + 2 min. À point/bien cuit - Saisie + 3 min.	60 °C (140 °F) 65 °C (150 °F) 70 °C (160 °F)
Boneless Chicken Breast (5 oz.)	Saisie + 3 – 4 minutes	75 °C (170 °F) dans la partie la plus épaisse
Filet de saumon (115 g/5 oz.)	Saisie + 2 – 4 minutes	60 - 65 °C (140-150°F). Remarque : Le saumon continuera à cuire après qu'il est retiré du gril
Hamburger frais (115 g/5 oz) épaisseur de 1,9 cm (3/4 po)	Saisie + 2 – 3 minutes	70 °C (160 °F)

**Remarque :** Pour assurer la cuisson complète des aliments, le département américain de l'Agriculture recommande de suivre les lignes directrices ci-dessous. Vérifier la cuisson en insérant un thermomètre à viande dans le centre de l'aliment à cuire, en veillant à ce que le thermomètre n'entre pas en contact avec un os ou la plaque de grillage.

# TABLEAU DE CUISSON SUGGÉRÉE POUR LE GRILLAGE DES VIANDES, DE LA VOLAILLE, DU POISSON ET DES SANDWICHES

Les temps de cuisson suivants sont fournis uniquement à titre indicatif. Ils sont représentatifs d'une plaque de gril complète d'aliments. Ils varieront selon la coupe ou l'épaisseur de l'aliment à cuire. Pour s'assurer que l'aliment est bien cuit, utiliser un thermomètre à cuisson. Si l'aliment doit cuire plus longtemps, le vérifier régulièrement pour éviter qu'il ne soit trop cuit.

ALIMENT	TEMPS DE CUISSON	COMMENTAIRES
<b>VIANDE</b>		
Hamburger, 140 g (5 oz)	de 4 à 6 minutes	Épaisseur de 19 mm (¾ po) Cuisson moyenne (70 °C/160 °F)
Hamburger congelé, 140 g (5 oz)	de 5 à 6 minutes	Cuisson moyenne (70 °C/160 °F)
Bavette, 340 g (3/4 lb)	de 6 à 8 minutes	Épaisseur de 19 mm (¾ po) Cuisson mi-saignante (65 °C/145 °F)
Bifteck de hampe, 230 g (½ lb)	de 4 à 6 minutes	Cuisson moyenne (70 °C/160 °F)
Bifteck de coquille d'ail, 170 g (6 oz)	de 6 à 8 minutes	Épaisseur de 19 mm (¾ po) Cuisson mi-saignante (65 °C/145 °F)
Filet de bœuf, 140 g (5 oz)	de 4 à 6 minutes	Épaisseur de 19 mm (¾ po) Cuisson mi-saignante (65 °C/145 °F)
Brochettes de bœuf	de 5 à 7 minutes	Cuisson moyenne (70 °C/160 °F)
Côtelettes de longe de porc, désossées	de 4 à 6 minutes	Épaisseur de 19 mm (¾ po) Cuisson à point (70 °C/160 °F)
Côtelettes de longe de porc, non désossées	de 4 à 6 minutes	Épaisseur de 19 mm (¾ po) Cuisson à point (70 °C/160 °F)
Chapelet ou galette de saucisses	de 4 à 6 minutes	Cuisson à point (70 °C/160 °F)
Hot dogs	de 4 à 5 minutes	Cuisson à point (75 °C/168 °F)
Bacon	de 6 à 8 minutes	
Côtelettes de longe de porc fumées, désossées	de 4 à 6 minutes	Cuisson à point (70 °C/160 °F)
Côtelettes d'agneau, longe	de 5 à 7 minutes	Épaisseur de 19 mm (¾ po) Cuisson à point (70 °C/160 °F)

<b>ALIMENT</b>	<b>TEMPS DE CUISSON</b>	<b>COMMENTAIRES</b>
<b>VOLAILLE</b>		
Poitrine de poulet désossée et sans peau, 230 g (8 oz)	de 11 à 13 minutes	Cuisson à point (77 °C/170 °F)
Filets de poulet (4 à 6 morceaux)	de 4 à 6 minutes	Cuisson à point (77 °C/170 °F)
Filets de dinde, 340 g (¾ lb)	de 9 à 11 minutes	Cuisson à point (77 °C/170 °F)
Filets de dinde, 340 g (¾ lb)	de 4 à 6 minutes	Cuisson à point (77 °C/170 °F)
<b>POISSON</b>		
Filets de tilapia, 170 g ch. (6 oz)	de 5 à 7 minutes	Cuisson à point (63 °C/145 °F)
Filets de truite, 170 g (6 oz)	de 4 à 6 minutes	Cuisson à point (63 °C/145 °F)
Filets de saumon, morceau de 230 g (8 oz)	de 5 à 7 minutes	Cuisson à point (63 °C/145 °F)
Darne de saumon, 230 g (8 oz)	de 7 à 9 minutes	Cuisson à point (63 °C/145 °F)
Darne de thon, 170 g (6 oz)	de 4 à 6 minutes	Cuisson à point (63 °C/145 °F)
Crevettes	de 3 à 4 minutes	Cuisson à point (63 °C/145 °F)
<b>SANDWICHES</b>		
Sandwich au fromage fondant	de 2 à 3 minutes	Cuire jusqu'à ce que le fromage ait fondu et que le sandwich soit brun doré.
Sandwich au fromage fondant avec tomates, thon, jambon ou bacon	de 3 à 4 minutes	Cuire jusqu'à ce que le fromage ait fondu et que le sandwich soit brun doré.
Quesadillas	de 2 à 3 minutes	Cuire jusqu'à ce que le fromage ait fondu et que le tortilla soit légèrement doré.

**Remarque :** Pour assurer la cuisson complète des aliments, le département américain de l'Agriculture recommande de suivre les lignes directrices ci-dessous. Vérifier la cuisson en insérant un thermomètre à viande dans le centre de l'aliment à cuire, en veillant à ce que le thermomètre n'entre pas en contact avec un os ou la plaque de grillage.

# GRILLAGE DES FRUITS ET DES LÉGUMES

Les temps de cuisson suivants sont fournis uniquement à titre indicatif. Ils sont représentatifs d'une plaque de gril complète d'aliments. Ils varieront selon l'épaisseur de l'aliment à cuire. Insérer une fourchette au centre de l'aliment pour en vérifier le degré de cuisson. (Attention de ne pas toucher à la plaque du gril.) Si l'aliment doit cuire plus longtemps, le vérifier régulièrement pour éviter qu'il ne soit trop cuit.

ALIMENT	TEMPS DE GRILLAGE
Pointes d'asperges	de 4 à 6 minutes
Poivrons de couleurs assorties, tranchés en rondelles de 1,3 cm (½ po)	de 5 à 7 minutes
Champignons, en tranches épaisses	de 4 à 5 minutes
Oignons tranchés, 1,3 cm (½ po)	de 5 à 7 minutes
Pommes de terre tranchées, 1,3 cm (½ po)	de 15 à 18 minutes
Champignons Portabella, 7,5 cm (3 po) de diamètre	de 4 à 6 minutes
Courgettes tranchées, 1,3 cm (1/2 po)	de 3 à 4 minutes
Ananas frais tranchés, 1,3 cm (1/2 po)	de 2 à 4 minutes

## CONSEILS CONCERNANT LE GRILLAGE :

- Pour éviter la perte de chaleur et encourager une cuisson uniforme, ne pas ouvrir le couvercle du gril fréquemment pendant la cuisson.
- Ce gril permet généralement de cuire 5 portions; veiller à ne pas le surcharger.
- Lors de la cuisson d'un aliment donné pour la première fois, vérifier le degré de cuisson quelques minutes avant le temps de cuisson suggéré, et si nécessaire, ajuster la minuterie à l'aide du bouton de commande.
- Si vous faites cuire plus d'un morceau d'un aliment, faire en sorte qu'ils soient de taille et d'épaisseur similaires.
- Ne pas oublier que puisque le gril cuit des deux côtés, le temps de cuisson sera généralement moins long que prévu. Faire attention de ne pas trop cuire les aliments.
- Pour plus de saveur, ajouter les assaisonnements secs avant le grillage ou mariner les aliments avant la cuisson.

# ENTRETIEN ET NETTOYAGE

## NETTOYAGE

**Mise en garde : Pour éviter les brûlures accidentelles, laisser refroidir le gril complètement avant de le nettoyer.**

1. Avant de nettoyer le gril, le débrancher de la prise de courant et le laisser refroidir.

**Mise en garde : Pour éviter toute étincelle à proximité de la prise au moment du débranchement, s'assurer que l'appareil est arrêté avant de débrancher le cordon de la prise de courant.**

**Important : Les éléments chauffants demeureront en marche jusqu'à ce que l'appareil soit éteint.**

2. Avec le plateau d'égouttage bien en place, utiliser une spatule en plastique pour gratter toute particule de graisse ou d'aliments qui reste vers le plateau d'égouttage. Essuyer les plaques avec un papier essuie-tout ou une éponge.
3. Retirer les plaques tel qu'il est indiqué dans la section UTILISATION (voir les illustrations B et C). Laver les plaques avec de l'eau tiède savonneuse et bien les assécher à l'aide d'une serviette en papier.
4. Vider le plateau d'égouttage et le nettoyer avec de l'eau tiède savonneuse et bien l'assécher à l'aide d'une serviette en papier.
5. Réinstaller les plaques du gril (voir les illustrations B et C), en s'assurant qu'elles sont solidement fixées à l'appareil.

**Remarque :** Les plaques du gril amovibles vont aussi au lave-vaisselle. Après avoir lavé les plaques au lave-vaisselle, essuyer le côté sans revêtement avec un linge sec pour prévenir la décoloration. Les détergents pour lave-vaisselle peuvent causer de l'oxydation sur le côté sans revêtement des plaques de cuisson. Ce phénomène n'est pas néfaste et les traces d'oxydation peuvent être essuyées avec un linge humide.

6. Pour nettoyer les résidus tenaces sur les plaques du gril, utiliser un tampon à récurer non métallique.

**Important : Ne pas utiliser de tampons à récurer métalliques, en laine d'acier ou tout autre nettoyant abrasif pour nettoyer n'importe quelle partie du gril. Utiliser uniquement des tampons à récurer en nylon ou non métalliques.**

7. Pour nettoyer le couvercle du gril, l'essuyer avec une éponge humidifiée à l'eau tiède, et sécher avec un linge doux et sec.

**Important : Ne pas immerger l'appareil dans l'eau ou dans un autre liquide.**

8. Tout entretien, autre que le nettoyage ci-dessus, requérant un démontage doit être effectué par un électricien qualifié.

**Mise en garde : S'assurer de maintenir le boîtier du gril par la poignée pendant le nettoyage pour éviter tout risque de fermeture accidentelle et de blessure.**

## RANGEMENT

- **Toujours s'assurer que le gril est propre et sec avant de le ranger.**

# DÉPANNAGE

PROBLÈME	CAUSE POSSIBLE	SOLUTION
Le fini des plaques du gril présente	Des ustensiles métalliques	Toujours utiliser des ustensiles de plastique, de nylon ou de bois résistants à la chaleur pour éviter d'égratigner la surface antiadhésive des plaques du gril. Ne jamais utiliser de broches, de pinces, de fourchettes ou de couteaux métalliques.
Les marques de grillage sur aliments son très pâles	Le gril n'était pas bien préchauffé avant l'utilisation.	Toujours préchauffé le gril pendant au moins 5 minutes avant de cuire des aliments.
Il y a une accumulation d'aliments sur les plaques du gril	Le gril n'a pas été bien nettoyé après l'utilisation.	Utiliser un tampon à récurer en nylon et de l'eau chaude savonneuse pour nettoyer les plaques du gril. Ne pas utiliser de tampons à récurer en laine d'acier ou des nettoyeurs abrasifs pour nettoyer le gril.
Les aliments sont sects et brûlés	Les aliments sont trop cuits	Parce que le gril cuit des deux côtés, les aliments cuisent beaucoup plus rapidement que dans la poêle à frire ou sous l'élément de grillage du four. Utiliser les tableaux de cuisson comme guide et vérifier les aliments au temps de cuisson le plus court indiqué au tableau.
Le gril ne se met pas en marche	Le gril n'est pas branché	S'assurer que l'appareil est branché à une prise de courant fonctionnelle et qu'il est sous tension.
La cuisson pa saisie dure plus de 90 secondes	L'appareil n'est pas préchauffé à 260°C (500°F) (non clignotant)	Sélectionner « SEAR » (saisir) et préchauffer à 260°C (500°F) (non clignotant) avant de placer les aliments sur les plaques du gril.
Le dessous des plaques du gril est décoloré	L'oxydation est causée par le détergent à lave-vaisselle	L'oxydation sur le côté sans revêtement de la plaque n'est pas néfaste et les traces d'oxydation peuvent être essuyées avec un linge humide.

# RECETTES

## CHURRASCO

15 ml (1 c. à table) de mélange d'assaisonnements Adobo

15 ml (1 c. à table) d'oignon émincé déshydraté

2,5 ml (1/2 c. à thé) de flocons de piment séchés

2,5 ml (1/2 c. à thé) de poivre à l'ail

6803 g (1 1/2 lb) de bifteck de hampe

Combiner tous les assaisonnements dans un petit bol. Saupoudrer uniformément sur les deux côtés du steak. Placer au réfrigérateur pendant le préchauffage du gril.

Saisir pendant 90 secondes, puis griller à 190 ° C (375 ° F) jusqu'au degré de cuisson désiré.

Servir tranché en lamelles.

Donne 2 portions.

## SANDWICH GRILLÉ AU JAMBON ET AUX ANANAS

60 ml (1/4 tasse) de conserve d'ananas

60 ml (1/4 tasse) de pêches en conserve

15 ml (1 c. à table) de gingembre confit finement haché

4 tranches de pain au levain

115 g (4 oz) de jambon en tranches minces

115 g (4 oz) de fromage brie tranché

30 ml (2 c. à table) de beurre fondu

Combiner les conserves d'ananas, les pêches et le gingembre dans un petit bol et mettre de côté. Répartir le beurre fondu sur un côté de chacune des tranches de pain.

Placer 2 tranches de pain sur une planche à découper, côté beurré vers le bas, et répartir le mélange d'ananas sur le pain. Couvrir chaque tranche de pain de jambon et de fromage. Recouvrir des tranches de pain restantes, côté beurré vers le haut.

Placer sur un gril préchauffé à 220 ° C (425 ° F). Griller de 3 à 5 minutes ou jusqu'à ce que le sandwich soit doré et que le fromage ramollisse.

Donne 2 sandwiches.

## **ROULÉS DE DINDE À LA SALSA**

60 ml (¼ tasse) de salsa

15 ml (1 c. à table) d'oignon rouge émincé

15 ml (1 c. à table) de coriandre hachée

2 grandes tortillas aux tomates

115 g (4 oz) de dinde tranchée

115 g (4 oz) de fromage Monterey Jack râpé avec jalapeños

Combiner la salsa, l'oignon et la coriandre dans un petit bol.

Placer les tortillas sur une planche à découper et répartir la salsa au centre des tortillas. Garnir chaque tortilla de dinde et de fromage. Replier les extrémités, puis rouler. Placer sur gril préchauffé avec le bord roulé de la tortilla en dessous et refermer le couvercle. Griller de 3 à 5 minutes à 220 ° C (425 ° F) ou jusqu'à ce que le sandwich soit doré et que le fromage ait fondu.

Donne 2 sandwiches.



USA/Canada 1-800-231-9786  
Accessories/Parts 1-800-738-0245  
Register your product at [www.prodprotect.com/applica](http://www.prodprotect.com/applica)

EE.UU./Canadá 1-800-231-9786  
Accesorios/Partes 1-800-738-0245  
Registre su producto a [www.prodprotect.com/applica](http://www.prodprotect.com/applica)

EE.UU./Canadá 1-800-231-9786  
Accessoires/Pièces 1-800-738-0245  
inscrire votre produit en ligne, [www.prodprotect.com/applica](http://www.prodprotect.com/applica)

**Made and Printed in China.**

**Fabricado e Impreso en China.**

**Fabriqué et Imprimé en Chine.**

® Registered Trademark and TM Trademark of Spectrum Brands, Inc.  
Les symboles ® et TM indiquent respectivement une marque  
déposée et une marque de commerce de Spectrum Brands, Inc.

© 2014 Spectrum Brands, Inc.  
Middleton, WI 53562

RV01 2014/5/27/88 E/S/F  
T22-5001064