

# GEORGE FOREMAN®

**9** serving GRILL & PANINI  
porciones PARRILLA Y PANINI  
portions GRIL ET PANINI



**USE AND CARE MANUAL  
MANUAL DE USO Y CUIDADO  
GUIDE D'UTILISATION ET D'ENTRETIEN**

GRS120B  
GRS120GT



**We want you to have a 5-star experience!**

Should you have any questions or concerns about your new product, please call our Customer Service Line at **1-800-947-3745** (U.S. and Canada). Please do not return to the store.

**¡Deseamos que disfrute de una experiencia de 5 estrellas!**

Si usted tiene alguna inquietud o pregunta con su producto, por favor llame a nuestra línea de servicio al cliente una atención inmediata **1-800-947-3745** (EE.UU./Canadá) **01-800-714-2503** (México). No devuelva a la tienda.

**Nous voulons que vous ayez une expérience 5 étoiles!**

Si vous avez des questions ou des préoccupations à propos de votre nouveau produit, veuillez communiquer avec notre Service à la clientèle au **1 800 947-3745** (États-Unis et Canada). Veuillez ne pas rapporter le produit au magasin.



PLEASE READ AND SAVE THIS USE AND CARE BOOK.

## IMPORTANT SAFEGUARDS.

When using electrical appliances, always follow basic safety precautions to reduce the risk of fire, electric shock, and/or injury, including the following:

- Read all instructions.
- Do not touch hot surfaces. Use handles or knobs.
- To protect against electrical shock do not immerse cord, plugs or appliance in water or other liquid.
- Close supervision is necessary when any appliance is used by or near children.
- Unplug from outlet when not in use and before cleaning. Allow to cool before putting on or taking off parts, and before cleaning the appliance.
- Do not operate any appliance with a damaged cord or plug, or after the appliance malfunctions, or has been dropped or damaged in any manner. Contact the consumer service number listed in this manual.
- The use of accessory attachments not recommended by the appliance manufacturer may cause injuries.
- Do not use outdoors.
- Do not let cord hang over edge of table or counter, or touch hot surfaces.
- Do not place on or near a hot gas or electric burner, or in a heated oven.
- Extreme caution must be used when moving an appliance containing hot oil or other hot liquids.
- To disconnect, remove plug from wall outlet.
- Do not use this appliance for other than intended use.
- The appliance is only to be operated in the closed position.
- This appliance is not intended for use by persons (including children) with reduced physical, sensory or mental capabilities, or lack of experience and knowledge, unless they have been given supervision or instruction concerning use of the appliance by a person responsible for their safety.
- Children should be supervised to ensure that they do not play with the appliance.
- The appliance is not intended to be operated by means of an external timer or separate remote-control system.

## SAVE THESE INSTRUCTIONS.

This product is for household use only.

### POLARIZED PLUG

This appliance has a polarized plug (one blade is wider than the other). To reduce the risk of electric shock, this plug is intended to fit into a polarized outlet only one way. If the plug does not fit fully into the outlet, reverse the plug. If it still does not fit, contact a qualified electrician. Do not attempt to modify the plug in any way.

### TAMPER-RESISTANT SCREW

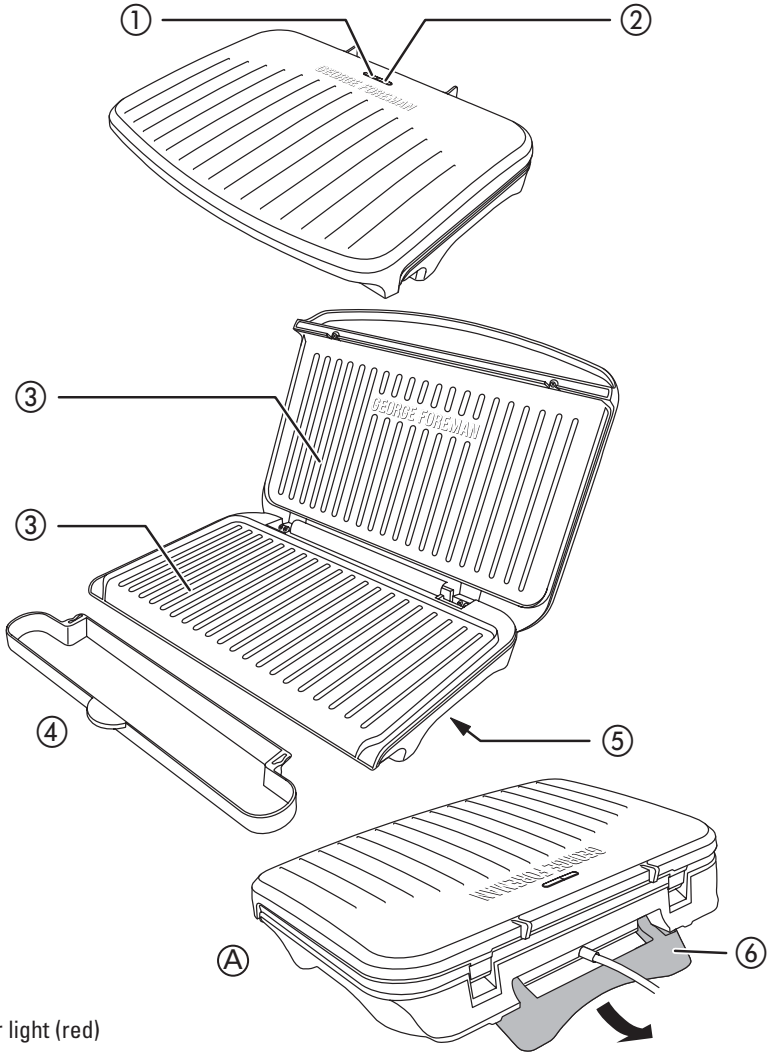
Warning: This appliance is equipped with a tamper-resistant screw to prevent removal of the outer cover. To reduce the risk of fire or electric shock, do not attempt to remove the outer cover. There are no user-serviceable parts inside. Repair should be done only by authorized service personnel.

### ELECTRICAL CORD

- A) A short power-supply cord is provided to reduce the risks resulting from becoming entangled in or tripping over a longer cord.
- B) Extension cords are available and may be used if care is exercised in their use.
- C) If an extension cord is used:
- 1) The marked electrical rating of the extension cord should be at least as great as the electrical rating of the appliance;
  - 2) If the appliance is of the grounded type, the extension cord should be a grounding-type 3-wire cord; and
  - 3) The cord should be arranged so that it will not drape over the counter top or tabletop where it can be pulled on by children or tripped over.

**Note:** If the power cord is damaged, please contact the warranty department listed in these instructions.

# GETTING TO KNOW YOUR GRILL



- 1. Power light (red)
- 2. Thermostat light (green)
- 3. Grill plates
- † 4. Drip tray (Part # GRS120B-01)
- 5. Cord storage hooks (underneath)
- 6. Dual grill position stand

**Note:** † indicates consumer replaceable/removable parts

Product may vary slightly from what is illustrated.

# HOW TO USE

This product is for household use only.

## GETTING STARTED

- Remove all packing material, any stickers, and the plastic band around the power plug.
- Remove and save literature.
- Please go to [www.prodprotect.com/georgeforeman](http://www.prodprotect.com/georgeforeman) to register your warranty.

## USING DUAL GRILL POSITION STAND

1. For the cooking of foods like burgers or chicken at a tilted angle: flip the Dual Grill Position Stand out away from the grill. (A)
2. For the cooking of foods like paninis or hot dogs on a horizontal level: flip the stand to store underneath the grill.

## GRILLING

1. Place your grill on a stable, level, heat-resistant surface, away from cupboards, curtains, etc.
2. Slide the drip tray all the way in, between the two runners underneath the front of your grill. The drip tray will collect any fat or juices that run off the plates during cooking.
3. Close lid and plug cord into outlet. The power light (red) will come on. The grill plates will now start heating up.
  - When the thermostat light (green) comes on, your grill is at the correct cooking temperature.
  - The light will cycle on and off as the thermostat operates to maintain the temperature.
4. Open your grill and carefully lay the food on the bottom grill plate. Use a spatula or tongs.
5. Close the grill.
  - Check that the food is cooked. If you're in any doubt, cook it a bit more.
  - Always use an oven mitt when opening or closing the grill.
  - The grill hinge is articulated to accommodate thick or oddly shaped foods.
  - The grill plates should be roughly parallel to avoid uneven cooking.
6. When you have finished cooking, unplug your grill.

**Note:** Aerosol cooking spray should not be used on nonstick surface. Chemicals that allow spray to come out of a can build up on surface of grill plates and reduce their efficiency.

**Note:** Do not overload grill.

**Note:** Always use heatproof plastic, nylon or wood utensils to avoid scratching nonstick surface of grill plates. Never use metal skewers, tongs, forks or knives.

- Allow the drip tray to cool before removing it from under the grill. Wash and dry the drip tray after each use. It can also be washed in the upper rack of the dishwasher.

## SUGGESTED COOKING CHART

The cooking times and temperatures in the below chart are meant to be used as a guideline only. Cooking time will depend upon the food thickness and cut being used. Use a meat thermometer to test for doneness by inserting the thermometer into the thickest portion of the meat. For reasons of personal preference, you may choose to cook food to a higher temperature.

FOOD/GRILL POSITION	SETTING/COOK TIME	MINIMUM FOOD TEMP	TIPS/COMMENTS
Burgers (5 oz. ½ inch thick)  Tilted grill position	4–7 min.	Beef 160°F Poultry 165°F	Ground beef with an 80% lean/20% fat is best for a juicy burger.
Boneless, skinless Chicken Breast (6 oz.) ½-inch thick  Tilted grill position	5–8 min.	165°F	Cut or pound chicken to an even thickness for more even grilling.
Hot Dogs  Level grill position	2–4 min.	150°F	Place hot dogs diagonally across grill plates to create grill marks.
Salmon Steaks or Fillets  Level grill position	3–5 min.	145°F	Salmon will be opaque in color and easily flake when done.
Lean, boneless steak (NY Strip, Sirloin, Tenderloin)  Tilted grill position	2–4 min.  3–5 min.  5–7 min.	<b>Medium rare</b> (130–140°F)  <b>Medium</b> (140–150°F)  <b>Medium well</b> (155–160°F)	Based on ¾-inch thickness. For a juicier steak, let rest 2–3 min. before serving.
Bacon  Tilted grill position	5–8 min.	To desired crispness	Cooking times may vary depending on the thickness of the bacon slices.
Vegetables  Level grill position	3–6 min.	To desired doneness	Brush or toss with a little oil before grilling to keep veggies from drying out. The oil also helps keep seasonings on the vegetables.

# CARE AND CLEANING

**Caution: To avoid accidental burns, allow your grill to cool completely before cleaning.**

This product contains no user serviceable parts. Refer service to qualified service personnel.

1. Empty the drip tray and clean with warm water and dish soap or wash in upper rack of dishwasher. Wipe dry.
2. Wipe outside of unit with a warm, wet sponge. Dry with soft, dry cloth.
3. Clean grill plates using warm water and dish soap.
3. DO NOT use steel wool, scouring pads or abrasive cleaners on any part of the grill.
4. DO NOT immerse in water or any other liquid.
5. Make sure to hold the lid open while cleaning to prevent accidental closing and injury.
6. Any servicing requiring disassembly other than the above cleaning must be performed by a qualified service personnel.

# RECIPES

## SAUSAGE CALZONES

Prep Time: 8 minutes | Total Time: 22 minutes

Serving Size: 4

### Ingredients

1 tube refrigerated pizza dough, 13.8 oz.    ½ cup pre-cooked sausage crumbles  
½ cup pizza sauce                                    ½ cup shredded pizza cheese

### Directions

1. Roll out packaged pizza dough and cut into quarters
2. On a lightly floured surface, roll out each quarter into about a 10" rectangle and about a 1/8" thick.
3. Spoon pizza sauce over one half of each rectangle. Add the sausage and shredded cheese.
4. Fold each remaining half of dough over the toppings and press the edges together to form a tight seal.
5. Preheat the George Foreman® grill. When the green light turns on, the grill is preheated.
6. Place two calzones on the grill and set a timer for 3 ½ minutes. When time is up, check the calzones and continue grilling if needed. Repeat with the remaining calzones.

## **BUFFALO TURKEY BURGERS**

Prep Time: 10 Min | Total Time: 15 Min

Servings: 4

### **Ingredients**

1 lb. ground turkey	¼ cup buffalo wing sauce
¼ cup bread crumbs	2 Tbsp. crumbled blue cheese
3-4 green onions, thinly sliced	4 hamburger buns

### **Directions**

1. Install the drip tray until it is seated into the securing springs under the grill front.
2. Plug in the George Foreman® grill and allow it to preheat. When the green light turns on, the grill is preheated.
3. In a large bowl, combine ground turkey, bread crumbs, onions, buffalo wing sauce and crumbled blue cheese; mix well.
4. Shape turkey mixture into 4 patties about 3 ½-inches in diameter.
5. Grill burgers 4-6 min or until internal temperature reaches a minimum of 170°F.
6. Serve on hamburger buns.

**Tip:** For slider size burgers, shape turkey mixture into 8 (2 oz.) balls. Flatten slightly and grill 4-5 minutes or until 170°F. Serve on small sandwich buns.

# WARRANTY AND CUSTOMER SERVICE INFORMATION

For support or any questions regarding your appliance, call the appropriate 800 number listed within this section. Please DO NOT return the product to the place of purchase. Also, please DO NOT mail product back to manufacturer, nor bring it to a service center. You may also want to consult our Product Protection Center at [www.prodprotect.com/georgeforeman](http://www.prodprotect.com/georgeforeman).

## Three-Year Limited Warranty

(Applies only in the United States and Canada)

### What does my warranty cover?

- Your warranty covers any defect in material or workmanship provided; however, the liability of Spectrum Brands Inc. will not exceed the purchase price of product.

### How long is the warranty period?

- Your warranty extends three years from the date of original purchase with proof of purchase.

### What support does my warranty provide?

- Your warranty provides you with a reasonably similar replacement product that is either new or factory refurbished.

### How do you get support?

- Save your receipt as proof of date of sale.
- Visit the online service website at [www.prodprotect.com/georgeforeman](http://www.prodprotect.com/georgeforeman), or call toll-free 1-800-947-3745, for general warranty service.
- If you need parts or accessories, please call 1-800-738-0245.

### How does state law affect my warranty?

- This warranty gives you specific legal rights. You may also have other rights that vary from state to state or province to province.

### What does my warranty not cover?

- Damage from commercial use
- Damage from misuse, abuse or neglect
- Products that have been modified in any way
- Products used or serviced outside the country of purchase
- Glass parts and other accessory items that are packed with the unit
- Shipping and handling costs associated with the replacement of the unit
- Consequential or incidental damages (Please note, however, that some states do not allow the exclusion or limitation of consequential or incidental damages, so this limitation may not apply to you.)

### Are there additional warranty exclusions?

- **This warranty shall not be valid where it is contrary to U.S. and other applicable laws, or where the warranty would be prohibited under any economic sanctions, export control laws, embargos, or other restrictive trade measures enforced by the United States or other applicable jurisdictions. This includes, without limitation, any warranty claims implicating parties from, or otherwise located in, Cuba, Iran, North Korea, Syria and the disputed Crimea region.**



POR FAVOR LEA ESTE INSTRUCTIVO ANTES DE USAR EL PRODUCTO.

# INSTRUCCIONES IMPORTANTES DE SEGURIDAD.

Al utilizar cualquier aparato eléctrico siempre deben tomarse precauciones básicas de seguridad, incluyendo las siguientes:

- Lea todas las instrucciones.
- No toque las superficies calientes. Use las asas o las perillas.
- A fin de protegerse contra un choque eléctrico y lesiones a las personas, no sumerja el cable, los enchufes ni el aparato en agua ni en ningún otro líquido.
- Todo aparato eléctrico usado en la presencia de los niños o por ellos mismos requiere la supervisión de un adulto.
- Desconecte el aparato del tomacorriente cuando no esté en uso y antes de limpiarlo. Espere que el aparato se enfríe antes de instalarle o retirarle piezas y antes de limpiarlo.
- No opere ningún aparato que tenga el cable o enchufe dañado o después de ocurrir una falla de funcionamiento o si se ha dejado caer o dañado de cualquier manera. Llame al número de servicio para el consumidor que aparece en este manual.
- El uso de accesorios no recomendados por el fabricante del aparato puede ocasionar incendio, choque eléctrico o lesiones a las personas.
- No use este aparato a la intemperie.
- No permita que el cable cuelgue del borde de la mesa o del mostrador ni que entre en contacto con superficies calientes.
- No coloque el aparato sobre ni cerca de las hornillas de gas o eléctricas ni adentro de un horno caliente.
- Tome mucha precaución al mover de un lugar a otro un aparato que contenga aceite u otros líquidos calientes.
- Para desconectar, retire el enchufe del tomacorriente.
- Este aparato se debe usar únicamente con el fin previsto.
- El aparato debe ser operado solamente en la posición cerrada.
- Este aparato no está diseñado para ser usado por personas (incluido niños) con capacidad limitada física, mental o sensoriales disminuidas y falta de experiencia o conocimiento que les impida utilizar el aparato con toda seguridad sin supervisión o instrucción.
- Se debe asegurar la supervisión de los niños para evitar que usen el aparato como juguete.
- Este aparato no está diseñado para operar por medio de un temporizador externo o control remoto.

## CONSERVE ESTAS INSTRUCCIONES.

Este aparato eléctrico es para uso doméstico solamente.

### ENCHUFE POLARIZADO

Este aparato cuenta con un enchufe polarizado (un contacto es más ancho que el otro). A fin de reducir el riesgo de un choque eléctrico, este enchufe encaja en un tomacorriente polarizado en un solo sentido. Si el enchufe no entra en el tomacorriente, invértalo y si aun así no encaja, consulte con un electricista. Por favor no trate de alterar esta medida de seguridad.

### TORNILLO DE SEGURIDAD

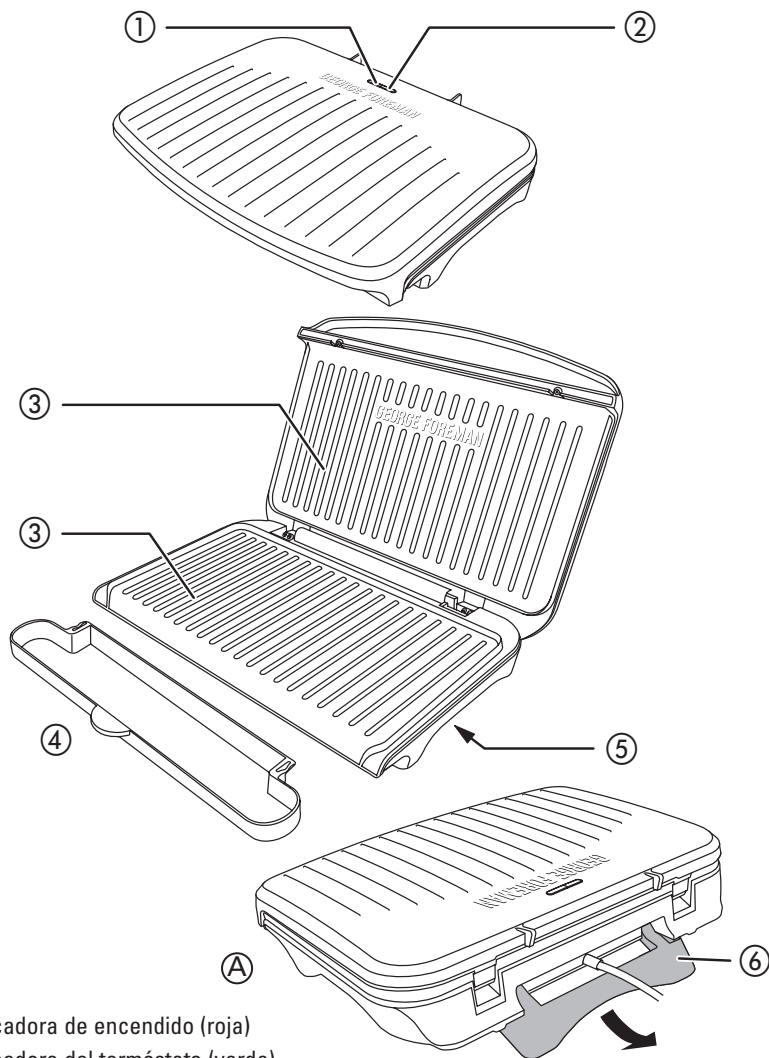
**Advertencia:** Este aparato cuenta con un tornillo de seguridad para evitar la remoción de la cubierta exterior del mismo. A fin de reducir el riesgo de incendio o de choque eléctrico, por favor no trate de remover la cubierta exterior. Este producto no contiene piezas reparables por el consumidor. Toda reparación se debe llevar a cabo únicamente por personal de servicio autorizado.

### CABLE ELÉCTRICO

- A) Un cable de alimentación corto es provisto para reducir los riesgos de enredarse o tropezar con un cable más largo.
- B) Existen cables de extensión disponibles y estos pueden ser utilizados si se toma el cuidado debido en su uso.
- C) Si se utiliza un cable de extensión:
- 1) La clasificación eléctrica marcada del cable de extensión debe ser, como mínimo, igual a la clasificación eléctrica del aparato;
  - 2) Si el aparato es del tipo de conexión a tierra, el cable de extensión debe ser un cable de tres alambres de conexión a tierra; y
  - 3) El cable debe ser acomodado de manera que no cuelgue del mostrador o de la mesa para evitar que un niño tire del mismo o que alguien se tropiece sin darse cuenta.

**Nota:** Si el cable de alimentación está dañado, por favor llame al número del departamento de garantía que aparece en estas instrucciones.

# CONOZCA SU PARRILLA



1. Luz indicadora de encendido (roja)
2. Luz indicadora del termóstato (verde)
3. Placas de la parrilla
- † 4. Bandeja de goteo (pieza no. GRS120B-01)
5. Ganchos para guardacable (por debajo)
6. Soporte de parrilla de dos posiciones

**Nota:** † indica piezas desmontables/reemplazables por el consumidor.

El producto puede variar ligeramente del que aparece ilustrado aquí.

# COMO USAR

Este producto es para uso doméstico solamente.

## PASOS PRELIMINARES

- Retire todo material de empaque y cualquier etiqueta adherida al producto.
- Retire y conserve toda literatura.
- Por favor visite el sitio [www.prodprotect.com/georgeforeman](http://www.prodprotect.com/georgeforeman) para registrar su garantía.

## USO DE LA BASE DE DOS POSICIONES DE LA PARRILLA

1. Para cocinar en posición inclinada alimentos tales como las hamburguesas o el pollo: voltee la base hacia afuera lejos de la parrilla. (A)
2. Para cocinar en posición horizontal alimentos tales como los paninis: voltee la base para almacenarla debajo de la parrilla.

## COCCIÓN A LA PARRILLA

1. Coloque su parrilla sobre una superficie resistente al calor, estable y nivelada, alejada de los mostradores, cortinas, etc.
2. Deslice la bandeja de goteo hasta que esté insertada completamente, entre las dos ranuras debajo de la parte frontal de su parrilla. La bandeja de goteo recogerá la grasa o los jugos que corren por las placas durante la cocción.
3. Cierre la tapa y enchufe el cable al tomacorriente. La luz indicadora (rojo) de encendido se encenderá. Las placas de cocción comenzarán a calentarse
  - Cuando la luz indicadora del termostato (verde) se encienda, su parrilla está en la temperatura de cocción correcta.
  - La luz se encenderá y apagará mientras el termostato funciona a fin de mantener la temperatura.
4. Abra su parrilla y con cuidado coloque los alimentos sobre la placa de cocción inferior. Utilice una espátula o pinzas.
5. Cierre la parrilla
  - Cerciórese que los alimentos estén cocinados. Si tiene duda, cocínelos un poco más.
  - Siempre utilice un guante de horno cuando abra o cierre la parrilla.
  - La bisagra de la parrilla es flexible para poder acomodar alimentos gruesos o de diferentes formas.
  - Las placas de cocción deben estar casi paralelas para evitar una cocción inconsistente.
6. Cuando termine de cocinar, desenchufe su parrilla.

**Nota:** No se debe utilizar aceite de cocinar en aerosol sobre la superficie de cocción antiadherente. Los químicos de los aerosoles, se acumularán sobre la superficie de las placas de cocción y reducirán su eficiencia.

**Nota:** No llene demasiado la parrilla.

**Nota:** Siempre utilice utensilios de plástico, nylon o madera resistentes al calor para evitar rayones en la superficie antiadherente de las placas de cocción. Nunca utilice pinchos, tenazas, tenedores ni cuchillos de metal.

- Permita que la bandeja de goteo se enfríe antes de retirarla de debajo de la parrilla. Lave y seque la bandeja de goteo después de cada uso. También puede lavarla en la rejilla superior de la máquina lavaplatos.

## **TABLA DE COCCIÓN SUGERIDA**

Los tiempos de cocción y las temperaturas en la siguiente tabla se deben utilizar sólo como una guía. El tiempo de cocción dependerá del grosor de los alimentos y el corte de carne utilizado. Utilice un termómetro para carnes para comprobar el punto de cocción del alimento, insertando el termómetro en la parte más gruesa de la carne. Por razones de preferencia personal, usted puede optar por cocinar los alimentos a una temperatura más alta.

<b>ALIMENTO/POSICIÓN DE PARRILLA</b>	<b>AJUSTE/ TIEMPO DE COCCIÓN</b>	<b>TEMPERATURA MÍNIMA DEL ALIMENTO</b>	<b>CONSEJOS/ COMENTARIOS</b>
Hamburguesas (5 onzas de 1/2 pulgada de grosor)  Posición de parrilla inclinada	4–7 min.	Carne de res 160°F Aves 165°F	La carne de res molida con 80% sin grasa/20% de grasa es la mejor para lograr una hamburguesa jugosa.
Pechuga de pollo sin hueso y sin piel (6 onzas) de ½ pulgada de grosor  Posición de parrilla inclinada	5–8 min.	165°F	Corte o golpee el pollo a un grosor uniforme para una cocción más uniforme.
Perros calientes  Posición de parrilla plana	2–4 min.	150°F	Coloque los perros calientes diagonalmente a lo largo de la parrilla para crear marcas de parrilla.
Bistecs o filetes de salmón  Posición de parrilla plana	3–5 min.	145°F	El salmón tiene un color opaco y se desmenuza fácilmente cuando está cocinado.

ALIMENTO/POSICIÓN DE PARRILLA	AJUSTE/ TIEMPO DE COCCIÓN	TEMPERATURA MÍNIMA DEL ALIMENTO	CONSEJOS/ COMENTARIOS
Bistec sin grasa y sin hueso (filete de lomo, cortado tipo NY, tipo sirloin)  Posición de parrilla inclinada	2–4 min.  3–5 min.  5–7 min.	<b>Término medio a crudo</b> (130–140°F) <b>Término medio</b> (140–150°F) <b>Término medio a bien cocinado</b> (155–160°F)	Basado en un bistec de ¾ a pulgada de grosor. Para un bistec más jugoso, déjelo reposar 2 a 3 minutos antes de servir.
Tocino  Posición de parrilla inclinada	5–8 min.	Al nivel de crujiente deseado.	Los tiempos de cocción pueden variar dependiendo del grosor de las tiras de tocino.
Vegetales  Posición de parrilla plana	3–6 min.	Al punto de cocción deseado	Páseles un cepillo o revuelva un poco con aceite antes de cocinar para prevenir que los vegetales se sequen. El aceite también ayuda a mantener las sazones en los vegetales.

## CUIDADO Y LIMPIEZA

**Precaución: Para evitar quemaduras, deje que la parrilla se enfrie por completo antes de limpiarla.**

Este producto no contiene piezas reparables por el consumidor. Para servicio, por favor acuda a personal calificado.

1. Vacíe la bandeja de grasa y lávela con agua caliente y líquido de fregar; séquela bien con una toalla de papel.
2. Limpie el exterior de la parrilla con una esponja humedecida en agua tibia y seque con un paño suave y seco.
3. NO USE estropajos de aluminio, esponjillas para fregar o limpiadores abrasivos en ninguna parte de la parrilla.
4. NO la sumerja en agua ni en ningún otro líquido.
5. Asegúrese de sujetar la tapa de la parrilla al limpiarla para evitar que se cierre accidentalmente y provoque lesiones.
6. Cualquier servicio técnico que requiera desarmar la parrilla, además de la limpieza mencionada, debe ser realizado por un electricista calificado.

# RECETAS

## CALZONES CON SALCHICHAS

Tiempo de preparación: 8 minutos | Tiempo total: 22 minutos

Porciones: 4

### Ingredientes:

1 tubo (13.8 onzas) de masa de pizza refrigerada	½ taza de pedazos de salchicha precocinada
½ taza de salsa para pizza	½ taza de queso para pizza rallado

### Preparación:

1. Extienda la masa de pizza de paquete y corte en cuartos.
2. Sobre una superficie espolvorada ligeramente con harina, extienda cada cuarto aproximadamente en forma de un rectángulo de 10" y 1/8" de grosor.
3. Con una cuchara unte la salsa para pizza sobre la mitad de cada rectángulo. Añada la salchicha y el queso rallado.
4. Doble cada mitad de masa restante sobre los ingredientes y presione los bordes juntos para formar un sello hermético.
5. Precaliente la parrilla George Foreman®. Cuando la luz verde se ilumina, la parrilla está precalentada.
6. Coloque dos calzones en la parrilla y programe el reloj automático a 3 ½ minutos. Cuando alcance el tiempo programado, revise el calzone y continúe cocinando si es necesario. Repita el proceso con el resto de los calzones.

## HAMBURGUESAS DE PAVO ESTILO BÚFALO

Tiempo de preparación: 10 minutos | Tiempo total: 15 minutos

Porciones: 4

### Ingredientes:

1 lb. de pavo molido	alitas
1/4 taza de migas de pan	2 cucharadas de queso azul desmoronado
3-4 cebollas grandes, picadas finamente	4 panes para hamburguesas
1/4 taza de salsa estilo búfalo para	

### Preparación:

1. Instale la bandeja de goteo hasta que esté posicionada dentro de los muelles de seguridad, situados debajo del frente de la parrilla.
2. Enchufe la parrilla George Foreman® y deje que se precaliente. Cuando la luz verde se ilumina, la parrilla está precalentada.
3. En un recipiente grande, combine el pavo molido, las migas de pan, las cebollas, la salsa estilo búfalo para alitas y el queso azul desmoronado; mézclelos bien.
4. Forme la mezcla de pavo en 4 hamburguesas de aproximadamente 3 1/2 pulgadas en diámetro.
5. Cocine las hamburguesas de 4 a 6 minutos o hasta que la temperatura interna alcance un mínimo de 170°F.
6. Sirva en panes para hamburguesas.

### Consejo:

Para hamburguesas pequeñas, forme la mezcla de pavo en 8 bolas (de 2 onzas). Aplástelas ligeramente y cocine de 4 a 5 minutos o hasta que alcance 170°F. Sirva en panes para sandwiches pequeños.

# INFORMACIÓN DE GARANTÍA Y SERVICIO AL CLIENTE

Para servicio, reparaciones o preguntas relacionadas al producto, por favor llame al número del centro de servicio que se indica para el país donde usted compró su producto. NO devuelva el producto al fabricante. Llame o lleve el producto a un centro de servicio autorizado. Usted también puede consultar a nuestro Centro de Protección del Producto en [www.prodprotect.com/georgeforeman](http://www.prodprotect.com/georgeforeman).

## Tres Años de Garantía Limitada

(No aplica en México, Estados Unidos y Canada)

### ¿Qué cubre mi garantía?

- Su garantía cubre cualquier defecto de material o de mano de obra, siempre y cuando la responsabilidad de Spectrum Brands, Inc. no exceda el precio de compra del producto.

### ¿Por cuánto tiempo es válida la garantía?

- Su garantía se extiende por tres años a partir de la fecha original de compra mientras que tenga una prueba de la compra.

### ¿Qué tipo de asistencia provee mi garantía?

- Su garantía le brinda un producto de reemplazo similar que sea nuevo o que ha sido restaurado de fábrica.
- ¿Cómo se puede obtener asistencia?
- Conserve el recibo original de compra.
- Para servicio al cliente y para registrar su garantía, visite [www.prodprotect.com/georgeforeman](http://www.prodprotect.com/georgeforeman), o llame al número 1-800-947-3745, para servicio al cliente
- Por favor llame al número del centro de servicio autorizado. 1-800-738-0245.

### ¿Cómo afecta a mi garantía la ley estatal?

- Esta garantía le otorga derechos legales específicos y el consumidor podría tener otros derechos que varían de una región a otra.

### ¿Qué no cubre mi garantía?

- Los productos que han sido utilizados en condiciones distintas a las normales.
- Los daños ocasionados por el mal uso, el abuso o negligencia.
- Los productos que han sido alterados de alguna manera.
- Los daños ocasionados por el uso comercial del producto.
- Los productos utilizados o reparados fuera del país original de compra.
- Las piezas de vidrio y demás accesorios empacados con el aparato.
- Los gastos de tramitación y embarque asociados al reemplazo del producto.
- Los daños y perjuicios indirectos o incidentales.

### ¿Existen exclusiones de garantía adicionales?

- **Esta garantía no será válida donde exista oposición a EE.UU. y otras leyes aplicables, o donde la garantía sería prohibida bajo cualquier sanción económica, ley de control de exportación, embargo u otra medida comercial impuesta por los Estados Unidos u otras jurisdicciones aplicables. Esto incluye, sin limitación, cualquier reclamo de garantía que implique partes de, u de otro modo localizadas en, Cuba, Irán, Corea del Norte, Siria y la región disputada de Crimea.**



Por favor llame al número correspondiente que aparece en la lista a continuación para solicitar que se haga efectiva la garantía y donde Ud. puede solicitar servicio, reparaciones o partes en el país donde el producto fué comprado.

### **Argentina**

Atención al consumidor  
0800 444 7296  
Horario de atención:  
Lunes a viernes de 9 a 13 hs  
y de 14.30 a 17 hs.  
Mail: postventa@spectrumbrands.com

### **Bolivia**

Atención al consumidor  
La Paz: c. Villalobos N°100 esq.  
Busch. Miraflores. Tel. (02) 2224924  
Santa Cruz: Av. Paraguá C.  
Socoris N°2415 (03) 3602002  
Cochabamba: c. Uruguay N°211 esq.  
Nataníel Aguirre (04) 4501894

### **Chile**

Atención al consumidor  
Inversiones la Mundial Ltda.  
Dirección: Libertad 790,  
Santiago de Chile.  
Teléfonos: +56 226820217 - 226810032

### **Colombia**

Spectrum Brands Corp, S.A.S.  
Transversal 23 #97-73  
Oficinas 403-404-405, Bogotá, Colombia  
Línea Servicio al Cliente: 018000510012

### **Costa Rica**

Aplicaciones Electromecánicas  
Calle 22 y 24 en Avenida 3 BLV de la torre  
Mercedes Benz  
200 mts norte y 50 mts este  
San José, Costa Rica  
Tel. (506) 2257-5716

### **Ecuador**

Servicio Master  
Dirección: Capitán Rafael  
Ramos OE 1-85 y Galo plaza lasso.  
Tel (593) 2281-3882 / 2240-9870

### **El Salvador**

Sedebblack  
Calle San Antonio Abad, Colonia Lisboa  
No 2936  
San Salvador, Depto. de San Salvador  
Tel. (503) 2284-8374

### **Guatemala**

Kinal  
17 avenida 26-75, zona 11 Centro  
comercial Novicentro,  
Local 37 - Ciudad  
Guatemala  
Tel. (502)-2476-7367

### **Honduras**

Serviteca  
San Pedro Sula, B Los Andes, 2 calle-entre  
11-12 Avenida  
Honduras  
Tel. (504) 2550-1074

### **México**

Artículo 123 # 95 Local 109 y 112  
Col. Centro, Cuauhtemoc,  
México, D.F.  
Tel. 01 800 714 2503

### **Nicaragua**

LRM ELECTRONICA  
Managua - Sinsa Altamira 1.5  
kilómetros al norte  
Nicaragua  
Tel. (505) 2270-2684

### **Panamá**

Supermarcas  
Centro comercial El dorado, Plaza  
Dorado, Local 2.  
Panama  
Tel. (507) 392-6231

### **Perú**

Servicio Central Fast Service  
Av. Angamos Este 2431  
San Borja, Lima Perú  
Tel. (511) 2251 388

### **Puerto Rico**

Buckeye Service  
Jesús P. Piñero #1013  
Puerto Nuevo, SJ PR 00920  
Tel.: (787) 782-6175

### **Republica Dominicana**

Prolongación Av. Rómulo  
Betancourt  
Zona Industrial de Herrera  
Santo Domingo, República  
Dominicana  
Tel.: (809) 530-5409

### **Venezuela**

Inversiones BDR CA  
Av. Casanova C.C.  
City Market Nivel Plaza Local 153  
Diagonal Hotel Melia,  
Caracas.  
Tel. (582) 324-0969

# PÓLIZA DE GARANTÍA

(Válida sólo para México)

## Duración

Spectrum Brands de México SA de CV garantiza este producto por 3 años a partir de la fecha original de compra.

## ¿Qué cubre esta garantía?

- Esta Garantía cubre cualquier defecto que presenten las piezas, componentes y la mano de obra contenidas en este producto.
- Requisitos para hacer válida la garantía
- Para reclamar su Garantía deberá presentar al Centro de Servicio Autorizado la póliza sellada por el establecimiento en donde adquirió el producto. Si no la tiene, podrá presentar el comprobante de compra original.

## ¿Dónde hago válida la garantía?

- Llame sin costo al teléfono 01 800 714 2503, para ubicar el Centro de Servicio Autorizado más cercano a su domicilio en donde usted podrá encontrar partes, componentes, consumibles y accesorios.

## Procedimiento para hacer válida la garantía

Acuda al Centro de Servicio Autorizado con el producto con la póliza de Garantía sellada o el comprobante de compra original, ahí se reemplazará cualquier pieza o componente defectuoso sin cargo alguno para el usuario final. Esta Garantía incluye los gastos de transportación que se deriven de su cumplimiento.

## Excepciones

Esta Garantía no será válida cuando el producto:

- A) Se hubiese utilizado en condiciones distintas a las normales.
- B) No hubiese sido operado de acuerdo con el instructivo de uso que le acompaña.
- C) Cuando el producto hubiese sido alterado o reparado por personas no autorizadas por Spectrum Brands de México SA de CV.

**Nota:** Usted podrá encontrar partes, componentes, consumibles y accesorios en los centros de servicios autorizados. Esta garantía incluyen los gastos de transportación que se deriven de sus cumplimiento dentro de sus red de servicio.

## ¿Existen exclusiones de garantía adicionales?

- **Esta garantía no será válida donde exista oposición a EE.UU. y otras leyes aplicables, o donde la garantía sería prohibida bajo cualquier sanción económica, ley de control de exportación, embargo u otra medida comercial impuesta por los Estados Unidos u otras jurisdicciones aplicables. Esto incluye, sin limitación, cualquier reclamo de garantía que implique partes de, u de otro modo localizadas en, Cuba, Irán, Corea del Norte, Siria y la región disputada de Crimea.**

VEUILLEZ LIRE ET CONSERVER CE GUIDE D'ENTRETIEN ET D'UTILISATION.

# IMPORTANTES CONSIGNES DE SÉCURITÉ.

Lorsqu'on utilise des appareils électriques, il faut toujours respecter certaines règles de sécurité fondamentales, notamment les suivantes :

- Lire toutes les instructions.
- Ne pas toucher aux surfaces chaudes. Utiliser les poignées ou les boutons de l'appareil.
- Afin d'éviter les risques de choc électrique, ne pas immerger le cordon, la fiche ou l'appareil dans l'eau ou dans d'autres liquides.
- Exercer une étroite surveillance lorsque l'appareil est utilisé à proximité d'un enfant ou lorsqu'un enfant s'en sert.
- Débrancher l'appareil lorsqu'il n'est pas en marche et avant le nettoyage. Le laisser refroidir avant d'installer ou de retirer des pièces, et avant de le nettoyer.
- Ne pas utiliser un appareil dont la fiche ou le cordon sont abîmés, qui présente un problème de fonctionnement, qui a été échappé ou qui est endommagé de quelque façon que ce soit. Communiquer avec le service à la clientèle en composant le numéro indiqué dans le présent guide.
- L'utilisation d'accessoires non recommandés par le fabricant de l'appareil présente des risques de blessures.
- Ne pas utiliser l'appareil à l'extérieur.
- Ne pas laisser le cordon pendre du rebord d'une table ou d'un comptoir, ou toucher une surface chaude.
- Ne pas placer l'appareil sur un brûleur au gaz ou électrique ou près d'un tel appareil, ni dans un four chaud.
- Faire preuve d'une grande prudence au moment de déplacer un appareil qui contient de l'huile chaude ou d'autres liquides chauds.
- Pour débrancher l'appareil, retirer la fiche de la prise.
- N'utiliser cet appareil que pour les fonctions auxquelles il est destiné.
- Cet appareil n'est pas conçu pour être utilisé par des personnes (notamment des enfants) dont les capacités physiques, sensorielles ou mentales sont réduites ou qui manquent d'expérience ou de connaissances, à moins qu'elles ne soient supervisées ou dirigées par une personne responsable de leur sécurité pendant l'utilisation.
- Les enfants doivent être supervisés afin d'éviter qu'ils jouent avec l'appareil.
- Faire fonctionner l'appareil uniquement lorsqu'il est fermé.
- Cet appareil est conçu pour fonctionner via une minuterie externe ou de la télécommande.

## CONSERVER CES INSTRUCTIONS.

L'appareil est conçu pour une utilisation domestique seulement.

### FICHE POLARISÉE

Cet appareil est doté d'une fiche polarisée (l'une des broches est plus large que l'autre). Afin de réduire les risques de choc électrique, la fiche se branche dans une prise polarisée dans un sens seulement. Si la fiche n'entre pas complètement dans la prise, tourner la fiche. Si la fiche n'entre toujours pas, communiquer avec un électricien qualifié. Ne pas tenter de modifier la fiche.

### VIS INVIOLE

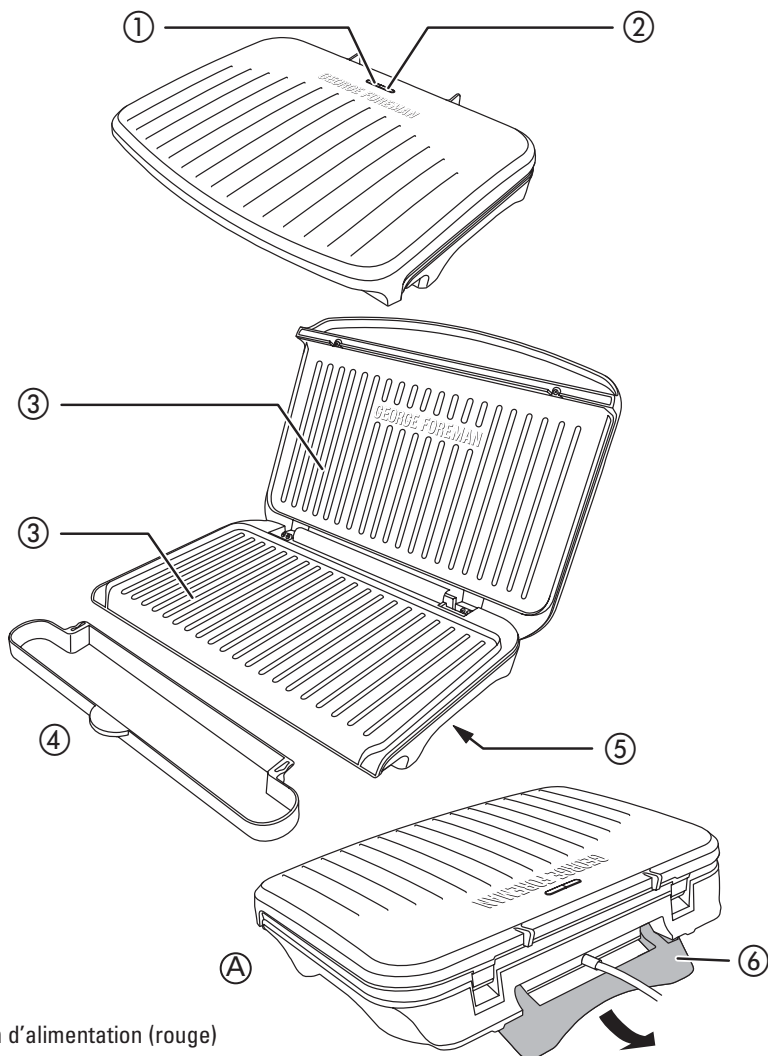
Avertissement : Cet appareil comporte une vis inviolable prévenant le retrait du boîtier externe. Pour réduire les risques d'incendie ou de choc électrique, ne pas tenter de retirer le boîtier externe. L'appareil ne contient aucune pièce réparable par l'utilisateur. Les réparations doivent être effectuées par un technicien autorisé seulement.

### CORDON D'ALIMENTATION

- A) Un cordon d'alimentation court est fourni pour éviter qu'un cordon long s'emmêle ou fasse trébucher.
- B) Des rallonges électriques sont disponibles et peuvent être utilisées avec prudence.
- C) En cas d'utilisation d'une rallonge :
- 1) Le calibre indiqué de la rallonge doit être au moins aussi élevé que celui de l'appareil,
  - 2) si l'appareil est mis à la terre, la rallonge doit être de type mise à la terre avec 3 broches; et
  - 3) le cordon électrique doit être disposé de façon à ce qu'il ne pende pas du comptoir ou de la table, qu'il ne soit pas à la portée des enfants et qu'il ne fasse pas trébucher.

**Remarque :** Si le cordon d'alimentation est endommagé, veuillez communiquer avec le Service de la garantie dont les coordonnées figurent dans les présentes instructions.

# FAMILIARISATION AVEC VOTRE GRIL



1. Témoin d'alimentation (rouge)
2. Témoin du thermostat (vert)
3. Plaques de grillage
- † 4. Plateau d'égouttage (pièce no GRS120B-01)
5. Crochets du range-cordon (dessous)
6. Support du gril à deux positions

**Remarque :** † indique que la pièce est remplaçable par l'utilisateur/amovible

Le produit peut différer légèrement de celui illustré.

# UTILISATION

Cet appareil est conçu pour un usage domestique seulement.

## POUR COMMENCER

- Retirer tout matériau d'emballage, tout autocollant apposé sur le produit, et la bande de plastique entourant la fiche.
- Retirer et conserver la documentation.
- Visiter le [www.prodprotect.com/georgeforeman](http://www.prodprotect.com/georgeforeman) pour enregistrer la garantie.

## UTILISATION DU SUPPORT DU GRIL À DEUX POSITIONS

1. Pour faire cuire des aliments comme des hamburgers ou du poulet sur une surface inclinée : déployer le support du gril à deux positions de manière à l'éloigner du gril. (A)
2. Pour faire cuire des aliments comme des paninis ou des hot dogs à l'horizontale : déployer le support pour le ranger sous le gril.

## GRILLAGE

1. Placer le gril sur une surface stable, de niveau et résistante à la chaleur, loin des armoires, des rideaux, etc.
2. Faire glisser le plateau d'égouttage jusqu'au fond, entre les deux glissières dessous l'avant du gril. Le plateau d'égouttage recueille les graisses ou les jus qui s'écoulent des plaques pendant la cuisson.
3. Fermer le couvercle et brancher le cordon dans la prise de courant. Le témoin d'alimentation (rouge) s'allume. Les plaques de grillage vont maintenant commencer à chauffer.
- Lorsque le témoin du thermostat (vert) s'allume, le gril est à la bonne température de cuisson.
- Le témoin s'allume et s'éteint pour indiquer que le thermostat maintient la température.
4. Ouvrir le gril et placer doucement les aliments sur la plaque de grillage inférieure. Utiliser une spatule ou des pinces.
5. Fermer le gril.
- Vérifier que les aliments sont bien cuits. En cas de doute, les faire cuire un peu plus.
- Toujours utiliser un gant de cuisine pour ouvrir ou fermer le gril.
- La charnière du gril est articulée pour s'adapter à des aliments épais ou de forme irrégulière.
- Les plaques de grillage doivent être à peu près parallèles pour éviter une cuisson inégale.
6. Lorsque la cuisson est terminée, débrancher le gril.

**Remarque :** Éviter l'emploi d'aérosol de cuisson sur les surfaces antiadhésives. Les produits chimiques permettant la vaporisation peuvent s'accumuler sur la surface des plaques de grillage et réduire leur efficacité.

**Remarque :** Ne pas surcharger le gril.

**Remarque :** Toujours utiliser des ustensiles résistants à la chaleur en plastique, en nylon ou en bois, pour éviter d'égratigner la surface antiadhésive des plaques. Ne jamais utiliser de broches, de pinces, de fourchettes ou de couteaux métalliques.

- Laisser le plateau d'égouttage refroidir avant de le retirer de sous le grill. Nettoyer et sécher le plateau d'égouttage après chaque utilisation. Il peut aussi être lavé dans le panier supérieur du lave-vaisselle.

## TABLA DE TIEMPOS DE COCCIÓN RECOMENDADOS

La siguiente tabla debe ser utilizada sólo como una guía. El tiempo de cocción depende del grosor de los alimentos. Para asegurarse de que su alimento está cocinado adecuadamente, el Departamento de Agricultura de los Estados Unidos (USDA) recomienda utilizar un termómetro para carnes para comprobar el punto de cocción del alimento. Inserte el termómetro para carnes en la parte más gruesa de la carne hasta que la temperatura se estabilice.

ALIMENT/POSITION DU GRIL	RÉGLAGE/TEMPS DE CUISSON	TEMPÉRATURE INTERNE MINIMALE	CONSEILS/REMARQUES
Hamburgers (142 g/5 oz - épaisseur de 1,3 cm (1/2 po)  Gril incliné	4–7 min.	Bœuf 160°F Volaille 165°F	Le bœuf haché (80 % maigre/20 % gras) est idéal pour obtenir un hamburger juteux.
Poitrine de poulet désossée, sans la peau (170 g/6 oz), épaisseur de 1,3 cm (1/2 po)  Gril incliné	5–8 min.	165°F	Couper le poulet ou l'aplatir au maillet en morceaux de même épaisseur pour une cuisson plus uniforme.
Hot dogs  Gril incliné	2–4 min.	150°F	Placer les hot dogs en diagonale sur les plaques du grill pour obtenir les marques de grillage.

ALIMENT/POSITION DU GRIL	RÉGLAGE/ TEMPS DE CUISSON	TEMPÉRATURE INTERNE MINIMALE	CONSEILS/ REMARQUES
Darnes ou filets de saumon  Gril incliné	3–5 min.	145°F	Lorsqu'il est à point, le saumon a un aspect opaque et se détache facilement.
Bifteck maigre, désossé (contre-filet, sur- longe, filet)  Gril incliné	2–4 min.  3–5 min.  5–7 min.	<b>Mi-saignant</b> (55-60 °C/ 130–140 °F)  <b>À point</b> 60-70 °C / 140–150 °F)  <b>À point-bien cuit</b> (68-71 °C/ 155-160 °F)	Fondé sur une épais- seur de 1,9 cm (3/4 po). Pour un bifteck plus saignant, laisser reposer 2–3 min avant de servir.
Bacon  Gril incliné	5–8 min.	Jusqu'à la consistance croustillante désirée	Le temps de cui- sson peut dépendre de l'épaisseur des tranches de bacon.
Légumes  À l'horizontale	3–6 min.	Jusqu'à la cuisson désirée	Brosser ou enduire d'un peu d'huile avant le grillage pour évit- er que les légumes deviennent trop secs. L'huile aide aussi à retenir les épices sur les légumes.

# ENTRETIEN ET NETTOYAGE

**Mise en garde : Pour éviter les brûlures accidentelles, laisser refroidir le gril complètement avant de le nettoyer.**

L'utilisateur ne peut effectuer lui même l'entretien d'aucune pièce de cet appareil. Confier l'entretien à un technicien qualifié.

1. Vider le plateau d'égouttage et le laver à l'eau tiède et du savon à vaisselle. Bien sécher.
2. Pour nettoyer le couvercle du gril, l'essuyer avec une éponge humide et tiède, et sécher avec un linge doux et sec.
3. Ne pas utiliser de laine d'acier, de tampons à récurer ou de nettoyeurs abrasifs pour nettoyer les pièces du gril.
4. Ne pas immerger le gril dans l'eau ou dans un autre liquide.
5. S'assurer de tenir le couvercle du gril pendant le nettoyage pour éviter tout risque de fermeture accidentelle et de blessure.
6. Tout entretien autre que le nettoyage ci dessus et requérant un démontage doit être effectué par un électricien qualifié.

## RECETTES

### CALZONES À LA SAUCISSE

Temps de préparation : 8 min | Temps total : 22 min

Portions : 4

#### Ingrédients

1 tube de pâte à pizza réfrigérée,  
441 ml (13,8 oz)

125 ml (1/2 tasse) de miettes de  
saucisse précuite

125 ml (1/2 tasse) de sauce à pizza

125 ml (1/2 tasse) de fromage à pizza  
râpé

#### Directives

1. Dérouler la pâte à pizza emballée et la couper en quarts.
2. Sur une surface légèrement enfarinée, rouler chaque quart en rectangle d'environ 25 cm (10 po) et d'une épaisseur d'environ 0,32 cm (1/8 po).
3. À une cuiller, verser la sauce à pizza sur une moitié de chaque rectangle. Ajouter la saucisse et le fromage râpé.
4. Replier chaque moitié résiduelle de pâte par-dessus les garnitures et rejoindre les bords ensemble pour former un joint serré.
5. Préchauffer le gril George Foreman<sup>®</sup>. Lorsque le témoin vert s'éteint, le gril est chaud.
6. Placer deux calzones sur le gril et régler une minuterie à 3,5 minutes. Lorsque le temps est écoulé, vérifier les calzones et poursuivre la cuisson au besoin. Répéter avec les autres calzones.



## HAMBURGERS À LA DINDE BUFFALO

Temps de préparation : 10 min | Temps total : 15 min

Portions : 4

### Ingrédients

450 g (1 lb) de dinde hachée

60 ml (¼ tasse) de chapelure

3 à 4 oignons verts tranchés finement

60 ml (¼ tasse) de sauce pour ailes de poulet Buffalo

30 ml (2 c. à table) de fromage bleu émietté

4 pains à hamburgers

### Directives

1. Installer le plateau d'égouttage jusqu'à ce qu'il soit inséré dans les ressorts de fixation sous l'avant du gril.
2. Brancher le gril George Foreman® et le laisser préchauffer. Lorsque le témoin vert s'éteint, le gril est chaud.
3. Dans un grand bol, verser la dinde hachée, la chapelure, les oignons, la sauce pour ailes Buffalo et le fromage bleu émietté; bien mélanger.
4. À l'aide du mélange, former 4 galettes d'environ 9 cm (3,5 po) de diamètre.
5. Faire griller les galettes de 4 à 6 min ou jusqu'à température interne minimale de 77 °C (170 °F).
6. Servir sur des pains à hamburgers.

**Conseil :** Pour obtenir des mini burgers, former 8 boulettes de 56 g (2 oz). Aplatir légèrement les boulettes et griller de 4 à 5 minutes ou jusqu'à température de 77 °C (170 °F). Servir sur des petits pains à sandwich.

# RENSEIGNEMENTS DE GARANTIE ET SERVICE À LA CLIENTÈLE

Pour communiquer avec les services d'entretien ou de réparation, ou pour adresser toute question relative au produit, composer le numéro sans frais approprié indiqué sur la page couverture. Ne pas retourner le produit où il a été acheté. Ne pas poster le produit au fabricant ni le porter dans un centre de service. On peut également consulter le site web indiqué sur la page couverture.

## **Garantie Limitée De 3 Ans (Valable seulement aux États-Unis et au Canada)**

### **Quelle est la couverture?**

- Tout défaut de main-d'oeuvre ou de matériau; toutefois, la responsabilité de la société. Applica se limite au prix d'achat du produit.

### **Quelle est la durée?**

- 3 année(s) à compter de la date d'achat initiale, avec une preuve d'achat.

### **Quelle aide offrons nous?**

- Remplacement par un produit raisonnablement semblable nouveau ou réusiné.

### **Comment se prévaut-on du service?**

- Conserver son reçu de caisse comme preuve de la date d'achat.
- Visiter notre site web au [www.prodprotect.com/georgeforeman](http://www.prodprotect.com/georgeforeman), ou composer sans frais le **1-800 947-3745**, pour obtenir des renseignements généraux relatifs à la garantie.
- On peut également communiquer avec le service des pièces et des accessoires au **1-800 738-0245**.

### **Quelles lois régissent la garantie?**

- Les modalités de la présente garantie donnent des droits légaux spécifiques. L'utilisateur peut également se prévaloir d'autres droits selon l'état ou la province qu'il habite.

### **Qu'est-ce que la garantie ne couvre pas?**

- Des dommages dus à une utilisation commerciale.
- Des dommages causés par une mauvaise utilisation ou de la négligence.
- Des produits qui ont été modifiés.
- Des produits utilisés ou entretenus hors du pays où ils ont été achetés.
- Des pièces en verre et tout autre accessoire emballés avec le produit.
- Les frais de transport et de manutention reliés au remplacement du produit.
- Des dommages indirects (il faut toutefois prendre note que certains états ne permettent pas l'exclusion ni la limitation des dommages indirects).

### **Existe-t-il d'autres exclusions à la garantie?**

- **La présente garantie n'est pas valable si elle contrevient aux lois en vigueur aux États-Unis ou autres lois applicables ailleurs, ou là où elle serait interdite en raison de sanctions économiques, de lois sur le contrôle des exportations, d'embargos ou d'autres mesures de restriction du commerce imposées par les États-Unis ou d'autres juridictions applicables. Ceci comprend, notamment, toutes réclamations au titre de la garantie impliquant des parties situées à Cuba, en Iran, en Corée du Nord, en Syrie et ailleurs dans la région contestée de la Crimée, ou provenant de ces endroits.**

Sello del Distribuidor:

Fecha de compra:

Modelo:

Código de fecha / Date Code / Le code de date :

1800 W 120 V ~ 60 HZ

**COMERCIALIZADO POR:**

SPECTRUM BRANDS DE MEXICO, S.A. DE C.V.  
Avenida 1° de Mayo No. 120 Piso 7, Oficina 702.  
Colonia San Andres Atoto, C.P.53500 Naucalpan  
de Juárez, Estado de México, México  
Tel. 01-800-714-2503

**SERVICIO Y REPARACIÓN**

Art. 123 No. 95 Col. Centro, C.P. 06050 Deleg.  
Cuauhtemoc SERVICIO AL CONSUMIDOR,

**VENTA DE REFACCIONES Y ACCESORIOS**  
01 800 714 2503

**Comercializado por:**

Spectrum Brands de México,  
SA de C.V Avenida 1° de Mayo No. 120  
Piso 7, Oficina 702.  
Colonia San Andres Atoto,  
C.P. 53500 Naucalpan de Juárez,  
Estado de México, México

**SERVICIO Y REPARACIÓN**

Art. 123 No. 95 Col. Centro, C.P. 06050 Deleg.  
Cuauhtemoc Servicio al Consumidor, Venta de  
Refacciones y Accesorios 01 800 714 2503

**Importado y Distribuido por:**

SPECTRUM BRANDS ARGENTINA S.R.L  
Av. Del Libertador 6810,  
piso 2 dpto. A  
1429, CABA, Argentina  
+ 54 11 5353-9500  
CUIT: 30-70706168-1  
Importador N° # 76983

**IMPORTADO POR / IMPORTED BY:**

AIDISA BOLIVIA S.A.  
Av. Chacaltaya No. 2141- Zona  
Achachicala La Paz, Bolivia.  
Teléfono (591)2- 2305353

NIT 1020647023,  
Resolución Ministerial 0661-12.

**IMPORTADO POR / IMPORTED BY:**

Inversiones la Mundial Ltda.  
Rut: 78.146.900-9  
Libertad 790, Santiago – Chile  
Fono: (562) 26810217 info@ilm.cl

**IMPORTADO POR / IMPORTED BY:**

Spectrum Brands de México, SA de C.V  
Avenida 1° de Mayo No. 120  
Piso 7, Oficina 702. Colonia San Andres Atoto,  
C.P. 53500 Naucalpan de Juárez, Estado de México,  
México

Para atención de garantía marque:  
01 (800) 714 2503

**IMPORTADO POR / IMPORTED BY:**

Spectrum Brands Corp, S.A.S.  
Transversal 23 #97-73  
Oficinas 403-404-405,  
Bogotá, Colombia  
Línea Servicio al Cliente:  
018000510012

At the end of this product's life,  
you can mail it to Spectrum Brands at  
507 Stokely Drive, Deforest, WI 53532  
marked "Product Takeback: Please Recycle!"

Al final de la vida útil de este producto,  
puede enviarlo por correo a Spectrum Brands,  
507 Stokely Drive, Deforest, WI 53532  
marcado "Product Takeback: Please Recycle!"

À la fin de la durée utile de ce produit,  
vous pouvez le poster à Spectrum Brands au  
507 Stokely Drive, Deforest, WI 53532  
en indiquant sur la boîte  
« Product Takeback: Please Recycle! »



[www.georgeforemancooking.com](http://www.georgeforemancooking.com)

USA/Canada 1-800-947-3745  
Accessories/Parts 1-800-738-0245  
Register your product at [www.prodprotect.com/georgeforeman](http://www.prodprotect.com/georgeforeman)

EE.UU./Canadá 1-800-947-3745  
Accesorios/Partes 1-800-738-0245  
Registre su producto a [www.prodprotect.com/georgeforeman](http://www.prodprotect.com/georgeforeman)

EE.UU./Canadá 1-800-947-3745  
Accessoires/Pièces 1-800-738-0245  
inscrire votre produit en ligne, [www.prodprotect.com/georgeforeman](http://www.prodprotect.com/georgeforeman)

**Made in China.**

**Fabricado en China.**

**Fabriqué en Chine.**

® Registered Trademark and ™ Trademark of Spectrum Brands, Inc.

Los símbolos ® y ™, respectivamente, indican una marca registrada y una marca comercial de Spectrum Brands, Inc.

Les symboles ® et ™ indiquent respectivement une marque déposée et une marque de commerce de Spectrum Brands, Inc.