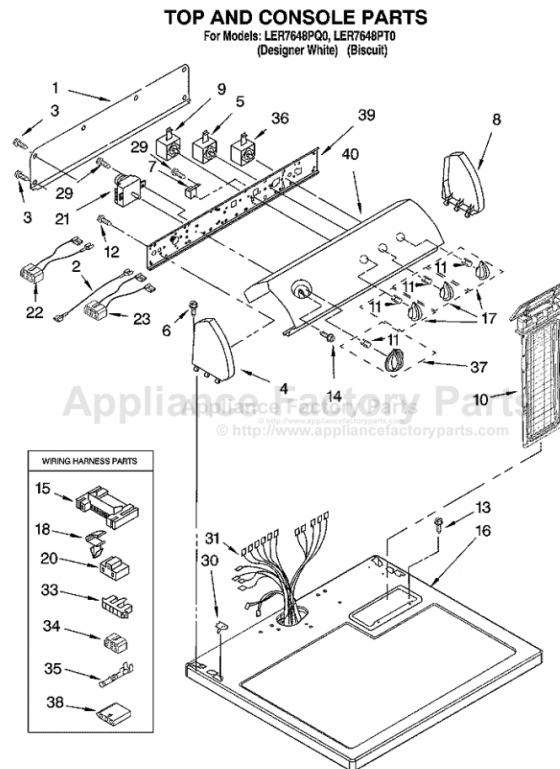


# WHIRLPOOL LER7648PQ0 Owner's Manual

[Shop genuine replacement parts for WHIRLPOOL  
LER7648PQ0](#)



8180472

3

[Find Your WHIRLPOOL Dryer Parts - Select From 3706 Models](#)

----- Manual continues below -----



# DRYER USER INSTRUCTIONS

## INSTRUCCIONES PARA EL USUARIO DE LA SECADORA

### Table of Contents / Índice

ASSISTANCE OR SERVICE.....1	AYUDA O SERVICIO TÉCNICO ..... 9
DRYER SAFETY.....2	SEGURIDAD DE LA SECADORA..... 9
DRYER USE .....4	USO DE LA SECADORA..... 11
DRYER CARE.....5	CUIDADO DE LA SECADORA ..... 13
TROUBLESHOOTING.....6	SOLUCIÓN DE PROBLEMAS ..... 14
WARRANTY.....7	GARANTÍA ..... 15

### Assistance or Service

If you need assistance or service, first see the "Troubleshooting" section. Additional help is available by calling our Customer Interaction Center at **1-800-253-1301** from anywhere in the U.S.A., or write:

**Whirlpool Corporation  
Customer Interaction Center  
553 Benson Road  
Benton Harbor, MI 49022-2692.**

Please include a daytime phone number in your correspondence.

To order parts and accessories, call **1-800-442-9991** or visit our website at **www.whirlpool.com**.

**Keep this book and your sales slip together for future reference. You must provide proof of purchase or installation date for in-warranty service.**

Write down the following information about your appliance to help you obtain assistance or service if you ever need it. You will need to know your complete model number and serial number. You can find this information on the model and serial number label, located at the top inside dryer door well.

Dealer name \_\_\_\_\_

Serial number \_\_\_\_\_

Address \_\_\_\_\_

Phone number \_\_\_\_\_

Model number \_\_\_\_\_

Purchase date \_\_\_\_\_



# DRYER SAFETY

## Your safety and the safety of others are very important.

We have provided many important safety messages in this manual and on your appliance. Always read and obey all safety messages.



This is the safety alert symbol.

This symbol alerts you to potential hazards that can kill or hurt you and others.

All safety messages will follow the safety alert symbol and either the word "DANGER" or "WARNING."

These words mean:

**⚠ DANGER**

You can be killed or seriously injured if you don't immediately follow instructions.

**⚠ WARNING**

You can be killed or seriously injured if you don't follow instructions.

All safety messages will tell you what the potential hazard is, tell you how to reduce the chance of injury, and tell you what can happen if the instructions are not followed.

## IMPORTANT SAFETY INSTRUCTIONS

**WARNING:** To reduce the risk of fire, electric shock, or injury to persons when using the dryer, follow basic precautions, including the following:

- Read all instructions before using the dryer.
- Do not place items exposed to cooking oils in your dryer. Items contaminated with cooking oils may contribute to a chemical reaction that could cause a load to catch fire.
- Do not dry articles that have been previously cleaned in, washed in, soaked in, or spotted with gasoline, dry-cleaning solvents, other flammable, or explosive substances as they give off vapors that could ignite or explode.
- Do not allow children to play on or in the dryer. Close supervision of children is necessary when the dryer is used near children.
- Before the dryer is removed from service or discarded, remove the door to the drying compartment.
- Do not reach into the dryer if the drum is moving.
- Do not install or store the dryer where it will be exposed to the weather.
- Do not tamper with controls.
- Do not repair or replace any part of the dryer or attempt any servicing unless specifically recommended in this Use and Care Guide or in published user-repair instructions that you understand and have the skills to carry out.
- Do not use fabric softeners or products to eliminate static unless recommended by the manufacturer of the fabric softener or product.
- Do not use heat to dry articles containing foam rubber or similarly textured rubber-like materials.
- Clean lint screen before or after each load.
- Keep area around the exhaust opening and adjacent surrounding areas free from the accumulation of lint, dust, and dirt.
- The interior of the dryer and exhaust vent should be cleaned periodically by qualified service personnel.
- See installation instructions for grounding requirements.

**SAVE THESE INSTRUCTIONS**

**WARNING: For your safety, the information in this manual must be followed to minimize the risk of fire or explosion, or to prevent property damage, personal injury, or death.**

- Do not store or use gasoline or other flammable vapors and liquids in the vicinity of this or any other appliance.
- **WHAT TO DO IF YOU SMELL GAS:**
  - Do not try to light any appliance.
  - Do not touch any electrical switch; do not use any phone in your building.
  - Clear the room, building, or area of all occupants.
  - Immediately call your gas supplier from a neighbor's phone. Follow the gas supplier's instructions.
  - If you cannot reach your gas supplier, call the fire department.
- Installation and service must be performed by a qualified installer, service agency, or the gas supplier.

## Checking Your Vent

Your dryer must be properly installed and vented to achieve maximum drying efficiency and shorten drying times. Use the minimum recommended installation clearances (found in your Installation Instructions). See the Installation Instructions for more information.

**⚠ WARNING**



**Fire Hazard**

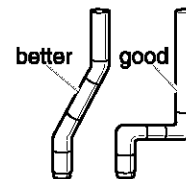
**Use a heavy metal vent.**

**Do not use a plastic vent.**

**Do not use a metal foil vent.**

**Failure to follow these instructions can result in death or fire.**

1. Do not use plastic vent or metal foil vent. Use 4 in. (10.2 cm) metal or flexible metal vent. Do not kink or crush flexible metal vent. It must be completely extended to allow adequate exhaust air to flow. Check vent after installation. Refer to your Installation Instructions for proper length requirements of vent.
2. Use a 4 in. (10.2 cm) exhaust hood.
3. Use the straightest path possible when routing the vent.



4. Use clamps to seal all joints. Do not use duct tape, screws or other fastening devices that extend into the interior of the vent to secure vent.
5. Clean exhaust vent periodically, depending on use, but at least every 2 years, or when installing your dryer in a new location. When cleaning is complete, be sure to follow the Installation Instructions supplied with your dryer for final product check.

If the dryer is not properly installed and vented, it will not be covered under the warranty.

**NOTE:** Service calls caused by improper venting will be paid for by the customer, whether it was a paid installation or self-installed.

# DRYER USE

## Loading

Load clothes loosely into the dryer. Do not pack the dryer. Allow space for clothes to tumble freely. The following charts show examples of balanced loads that would allow for proper tumbling.

### ULTRA CAPACITY, SUPER CAPACITY and SUPER CAPACITY PLUS DRYERS

#### Heavy Work Clothes

4 pair of pants  
4 pair of jeans  
2 sweatshirts  
2 sweatpants  
4 shirts

#### Mixed Load

3 sheets (1 king, 2 twin)  
4 pillowcases  
9 T-shirts  
9 pair of shorts  
3 blouses  
10 handkerchiefs  
3 shirts

#### Towels

10 bath towels  
10 hand towels  
14 washcloths  
1 bath mat

#### Delicates

3 camisoles  
1 robe  
4 slips  
8 undergarments  
2 sets of sleepwear  
1 child's outfit

### EXTRA LARGE CAPACITY DRYERS

#### Heavy Work Clothes

3 pair of pants  
4 pair of jeans  
2 pair of overalls  
3 shirts

#### Mixed Load

3 double sheets  
4 pillowcases  
8 T-shirts  
6 pair of shorts  
2 blouses  
8 handkerchiefs

#### Towels

10 bath towels  
10 hand towels  
14 washcloths  
1 bath mat

#### Delicates

3 camisoles  
1 robe  
4 slips  
6 undergarments  
2 sets of sleepwear  
1 child's outfit

## ⚠ WARNING



### Explosion Hazard

Keep flammable materials and vapors, such as gasoline, away from dryer.

Do not dry anything that has ever had anything flammable on it (even after washing).

Failure to follow these instructions can result in death, explosion, or fire.

## ⚠ WARNING



### Fire Hazard

No washer can completely remove oil.

Do not dry anything that has ever had any type of oil on it (including cooking oils).

Items containing foam, rubber, or plastic must be dried on a clothesline or by using an Air Cycle.

Failure to follow these instructions can result in death or fire.

**This booklet covers several different models. Your dryer may not have all of the cycles and features described.**

Before using your dryer, wipe the dryer drum with a damp cloth to remove dust from storing and shipping.

1. Load clothes loosely into the dryer and close the door. Do not pack the dryer. Allow space for clothes to tumble freely.
2. Turn the Cycle Control knob to the recommended cycle for the type of load being dried. Use the Energy Preferred setting to dry most heavy to medium weight fabrics.
3. If your dryer has a Temperature selector, set it to the recommended setting for the type of fabric being dried. See "Dryer Cycle Descriptions" (separate sheet) for temperature suggestions. On some models, temperature is included in the cycle selections.

4. (OPTIONAL) Your dryer may have a WRINKLE SHIELD™ feature selector. When you are unable to remove a load from the dryer as soon as it stops, wrinkles can form. This feature periodically tumbles, rearranges and fluffs the load without heat to help avoid wrinkling.
5. (OPTIONAL) Your dryer may have an END OF CYCLE SIGNAL. The signal is helpful when drying items that should be removed from the dryer as soon as it stops.
  - On some models, the volume of the End of Cycle signal can be adjusted. Turn the selector to the desired volume.
  - On other models, the End of Cycle signal is part of the Start button and is selectable. Turn the START button to ON or OFF. The signal will sound only if the selector is set to On.

6. Select the desired Option. See “Dryer Cycle Descriptions” (separate sheet).
7. If desired, add fabric softener sheet. Use only ones labeled as dryer safe. Follow package instructions.
8. Push the START button.

### Stopping and Restarting

You can stop your dryer anytime during a cycle.

#### To stop your dryer

Open the dryer door or turn the Cycle Control knob to OFF.

**NOTE:** The Cycle Control knob should point to an Off area when the dryer is not in use.

#### To restart your dryer

Close the door. Select a new cycle and temperature (if desired). Push the START button.

## Drying Rack Option

Use the Drying Rack to dry items such as sweaters and pillows without tumbling. The drum turns, but the rack does not move.

If your model does not have a drying rack, you may be able to purchase one for your model. To find out if your model allows drying rack usage and for ordering information, please refer to the front page of your manual or contact the dealer from whom you purchased your dryer.

**NOTE:** The rack must be removed for normal tumbling. Do not use the automatic cycle with the drying rack.

### To use the drying rack

1. Place drying rack in dryer.

**Style 1:** Your drying rack has front legs. Slide rear pegs into the dimples on the back wall of the dryer. Lower the front legs to rest on the dryer opening.

**Style 2:** Your drying rack does NOT have front legs. Do not remove the lint screen. Slide drying rack over the bottom of the dryer door opening. Push down to secure rack on frame.

2. Put wet items on top of rack, leaving space between items. Do not allow items to hang over the edge of the rack. Close the door.
3. Select a timed drying cycle and temperature, or an air cycle. Items containing foam, rubber, or plastic must be dried on a clothesline or by using an air cycle. Refer to the following table.
4. Start the dryer. Reset cycle to complete drying, if needed.

Rack Dry	Cycle	Temp	Time
Washable wool items (block to shape, lay flat on rack)	Timed Drying	Low	60 min.
Stuffed toys/pillows (cotton or polyester filled)	Timed Drying	Low	60 min.
Stuffed toys/pillows Foam rubber filled	Air (no heat)	N/A	90 min.

## DRYER CARE

### Cleaning the Lint Screen

Clean the lint screen before each load. A screen blocked by lint can increase drying time.

#### IMPORTANT:

- Do not run the dryer with the lint screen loose, damaged, blocked, or missing. Doing so can cause overheating and damage to both the dryer and fabrics.
- If lint falls off the screen into the dryer during removal, check the exhaust hood and remove the lint.

#### Every Load Cleaning

##### Style 1:

1. The lint screen is located on top of the dryer. Pull the lint screen toward you. Roll lint off the screen with your fingers. Do not rinse or wash screen to remove lint. Wet lint is hard to remove.
2. Push the lint screen firmly back into place.

##### Style 2:

1. The lint screen is located in the door of the dryer. Pull the lint screen straight up. Roll lint off the screen with your fingers. Do not rinse or wash screen to remove lint. Wet lint is hard to remove.
2. Push the lint screen firmly back into place.

#### As Needed Cleaning

1. Wet both sides of lint screen with hot water.
2. Wet a nylon brush with hot water and liquid detergent. Scrub lint screen with the brush to remove residue buildup.
3. Rinse screen with hot water.
4. Thoroughly dry lint screen with a clean towel. Replace screen in dryer.

### Cleaning the Dryer Interior

## ⚠ WARNING



### Explosion Hazard

Use nonflammable cleaner.

Failure to do so can result in death, explosion, or fire.

1. Apply a non-flammable household cleaner to the stained area of the drum and rub with a soft cloth until stain is removed.
2. Wipe drum thoroughly with a damp cloth.
3. Tumble a load of clean cloths or towels to dry the drum.

**NOTE:** Garments which contain unstable dyes, such as denim blue jeans or brightly colored cotton items, may discolor the dryer interior. These stains are not harmful to your dryer and will not stain future loads of clothes. Dry unstable dye items inside-out to prevent dye transfer.

---

## Removing Accumulated Lint

---

### From Inside the Dryer Cabinet

---

Lint should be removed every 2 years, or more often, depending on dryer usage. Cleaning should be done by a qualified person.

---

### From Inside the Exhaust Vent

---

Lint should be removed every 2 years, or more often, depending on dryer usage.

---

---

## Changing the Drum Light

---

1. Unplug dryer or disconnect power.
  2. Open the dryer door. Locate the light bulb cover on the back wall of the dryer. Remove the screw located in the lower right corner of the cover. Remove the cover.
  3. Turn bulb counterclockwise. Replace the bulb with a 10-watt appliance bulb only. Replace the cover and secure with the screw.
  4. Plug in dryer or reconnect power.
- 

---

# TROUBLESHOOTING

---

First try the solutions suggested here and possibly avoid the cost of a service call...

---

## Dryer Operation

---

### Dryer will not run

---

■ **Check the following:**

Is the power cord plugged in?

Has a fuse blown, or has a circuit breaker tripped? There may be 2 fuses or circuit breakers for the dryer. Check to make sure both fuses are intact and tight, or that both circuit breakers have not tripped.

Was a regular fuse used? Use a time-delay fuse.

Is the dryer door firmly closed?

Was the START button firmly pressed?

Is a cycle selected?

---

### No heat

---

- **Has a fuse blown, or a circuit breaker tripped?** Electric dryers use 2 household fuses or breakers. The drum may be turning, but you may not have heat.
  - **Has an air dry cycle been selected?** Select the right cycle for the types of garments being dried.
  - **For gas dryers, is the valve open on the supply line?**
- 

### Unusual sounds

---

- **Has the dryer had a period of non-use?** If the dryer hasn't been used for a while, there may be a thumping sound during the first few minutes of operation.
  - **Is it a gas dryer?** The gas valve clicking is a normal operating sound.
- 

## Dryer Results

---

### Clothes are not drying satisfactorily

---

■ **Check the following:**

Is the lint screen clogged with lint?

Is the exhaust vent or outside exhaust hood clogged with lint, restricting air movement? Run the dryer for 5-10 minutes. Hold your hand under the outside exhaust hood to check air movement. If you do not feel air movement, clean exhaust system of lint or replace exhaust vent with heavy metal or flexible metal vent. See your Installation Instructions.

Is the exhaust vent crushed or kinked? Replace with heavy metal or flexible metal vent. See your Installation Instructions.

Are fabric softener sheets blocking the grille? Use only one fabric softener sheet, and use it only once.

- **Is the dryer located in a room with temperature below 45°F (7°C)?** Proper operation of dryer cycles requires temperatures above 45°F (7°C).
  - **Was a cold rinse water used? Was the load very wet?** Expect longer drying times with items rinsed in cold water and with items that hold moisture (cottons).
  - **Is the load too large and heavy to dry quickly?** Separate the load to tumble freely.
- 

### Lint on load

---

- **Is the lint screen clogged?** Clean lint screen. Check for air movement.
  - **Is the load properly sorted?** Sort lint givers (towels, chenille) from lint takers (corduroy, synthetics). Also sort by color.
  - **Is the load too big or too heavy?** Dry smaller loads so lint can be carried to the lint screen.
  - **Was the load overdried?** Use correct dryer settings for load type. Overdrying can cause lint-attracting static electricity. See "Dryer Cycle Descriptions" (separate sheet).
  - **Was paper or tissue left in pockets?**
  - **Is pilling being mistaken for lint?** Pilling (surface fuzz) is caused by normal wear and laundering.
-

---

### Stains on load or color change

---

- **Was dryer fabric softener properly used?** Add dryer fabric softener sheets at the beginning of the cycle. Fabric softener sheets added to a partially-dried load can stain your garments.
  - **Were items soiled when placed in the dryer?** Items should be clean before being dried.
  - **Were items properly sorted?** Sort light colors from dark colors. Sort colorfast items from noncolorfast items.
- 

### Items shrinking

---

- **Was the dryer overloaded?** Dry smaller loads that will tumble freely.
  - **Did the load overdry?** Check the manufacturer's care label. Match dryer setting to load type.
- 

### Loads are wrinkled

---

- **Was the load removed from dryer at the end of the cycle?**
  - **Was the dryer overloaded?** Dry smaller loads that can tumble freely.
  - **Did the load overdry?** Check the manufacturer's care label. Match dryer setting to load type.
- 

---

### Odors

---

- **Have you recently been painting, staining or varnishing in the area where your dryer is located?** If so, ventilate the area. When the odors or fumes are gone from the area, re-wash and dry the clothing.
  - **If the dryer is electric, is it being used for the first time?** The new electric heating element may have an odor. The odor will be gone after the first cycle.
- 

### Garment damage

---

- **Check the following:**
    - Were zippers, snaps, and hooks left open?
    - Were strings and sashes tied to prevent tangling?
    - Were care label instructions followed?
    - Were items damaged before drying?
- 

---

# WHIRLPOOL® DRYER WARRANTY

---

## ONE-YEAR FULL WARRANTY

For one year from the date of purchase, when this dryer is operated and maintained according to instructions attached to or furnished with the product, Whirlpool Corporation will pay for FSP® replacement parts and repair labor to correct defects in materials or workmanship. Service must be provided by a Whirlpool designated service company.

---

### Whirlpool Corporation will not pay for:

1. Service calls to correct the installation of your dryer, including venting. Heavy 4 in. (10.2 cm) metal exhaust vent must be used. Refer to the venting section of this manual and your Installation Instructions.
  2. Service calls to instruct you how to use your dryer, to replace house fuses or correct house wiring or reset circuit breakers, or to replace owner accessible light bulbs.
  3. Repairs when your dryer is used in other than normal, single-family household use.
  4. Damage resulting from accident, alteration, misuse, abuse, fire, floods, acts of God, improper installation (including, but not limited to, venting with plastic or flexible foil), installation not in accordance with local electrical and plumbing codes, or use of products not approved by Whirlpool Corporation.
  5. Replacement parts or repair labor costs for units operated outside the United States.
  6. Pickup and delivery. This product is designed to be repaired in the home.
  7. Repairs to parts or systems resulting from unauthorized modifications made to the appliance.
- 

### WHIRLPOOL CORPORATION SHALL NOT BE LIABLE FOR INCIDENTAL OR CONSEQUENTIAL DAMAGES.

Some states do not allow the exclusion or limitation of incidental or consequential damages, so this exclusion or limitation may not apply to you. This warranty gives you specific legal rights and you may also have other rights which vary from state to state.

**Outside the 50 United States, this warranty does not apply. Contact your authorized Whirlpool dealer to determine if another warranty applies.**

3/02

---

### Replacement parts

If you need to order replacement parts, we recommend that you only use FSP® factory specified parts. These parts will fit right and work right because they are made with the same precision used to build every new WHIRLPOOL® appliance.

### To locate FSP replacement parts in your area:

Call the Customer Interaction Center at **1-800-253-1301**, or your nearest designated service center.

For information on how to contact Whirlpool Corporation, please see front page of this document.

---

## Notes

# INSTRUCCIONES PARA EL USUARIO DE LA SECADORA

## Ayuda o servicio técnico

Si necesita ayuda o servicio técnico, vea primero la sección "Solución de Problemas". Puede obtener asistencia adicional llamando a nuestro Centro de Interacción del Cliente al **1-800-253-1301** desde cualquier lugar de los EE.UU., o escriba a:

**Whirlpool Corporation**  
**Customer Interaction Center**  
**553 Benson Road**  
**Benton Harbor, MI 49022-2692**

Favor de incluir un número telefónico de día en su correspondencia.

Para ordenar partes y accesorios, llame al **1-800-442-9991** o visite nuestro sitio Web en **www.whirlpool.com**.

**Guarde este libro y su comprobante de venta juntos para referencia futura. Usted deberá proporcionar evidencia de la compra o una fecha de instalación para obtener servicio bajo la garantía.**

Escriba la siguiente información acerca de su electrodoméstico para ayudarlo mejor a obtener ayuda o servicio técnico si alguna vez llegara a necesitarlo. Deberá tener a mano el número completo del modelo y de la serie. Podrá encontrar esta información en la etiqueta con el número del modelo y de la serie, en la cavidad interna superior de la puerta de la secadora.

Nombre del distribuidor \_\_\_\_\_

Número de serie \_\_\_\_\_

Dirección \_\_\_\_\_

Número de teléfono \_\_\_\_\_

Número del modelo \_\_\_\_\_

Fecha de compra \_\_\_\_\_

## SEGURIDAD DE LA SECADORA

### Su seguridad y la seguridad de los demás es muy importante.

Hemos incluido muchos mensajes importantes de seguridad en este manual y en su electrodoméstico. Lea y obedezca siempre todos los mensajes de seguridad.



Este es el símbolo de advertencia de seguridad.

Este símbolo le llama la atención sobre peligros potenciales que pueden ocasionar la muerte o una lesión a usted y a los demás.

Todos los mensajes de seguridad irán a continuación del símbolo de advertencia de seguridad y de la palabra "PELIGRO" o "ADVERTENCIA". Estas palabras significan:

**▲ PELIGRO**

Si no sigue las instrucciones de inmediato, usted puede morir o sufrir una lesión grave.

**▲ ADVERTENCIA**

Si no sigue las instrucciones, usted puede morir o sufrir una lesión grave.

Todos los mensajes de seguridad le dirán el peligro potencial, le dirán cómo reducir las posibilidades de sufrir una lesión y lo que puede suceder si no se siguen las instrucciones.

## INSTRUCCIONES IMPORTANTES DE SEGURIDAD

**ADVERTENCIA:** A fin de reducir el riesgo de incendio, descarga eléctrica o de daño a las personas que usen la secadora, deben seguirse las precauciones básicas, incluidas las siguientes:

- Lea todas las instrucciones antes de usar la secadora.
- No coloque los objetos expuestos a aceite para cocinar en su secadora. Los objetos expuestos a aceites para cocinar pueden contribuir a una reacción química que podría causar que una carga se inflame.
- No seque artículos que ya se hayan limpiado, lavado, remojado o manchado con gasolina, disolventes de limpieza en seco, u otras sustancias inflamables o explosivas ya que despiden vapores que pueden encenderse o causar una explosión.
- No permita que jueguen los niños sobre o dentro de la secadora. Es necesaria la cuidadosa vigilancia de los niños toda vez que se use la secadora cerca de ellos.
- Quite la puerta de la secadora al compartimiento de secado antes de ponerla fuera de funcionamiento o de descartarla.
- No introduzca las manos en la secadora cuando el tambor está en movimiento.
- No instale o almacene esta secadora donde estará expuesta a agua o a la intemperie.
- No trate de forzar los controles.
- No repare o reemplace ninguna pieza de la secadora ni trate de repararla a menos que esto se recomiende específicamente en el Manual del propietario o en instrucciones de reparación publicadas para el usuario que usted comprenda y sólo si cuenta con la experiencia necesaria para llevar a cabo dicha reparación.
- No utilice suavizadores de tejidos o productos para eliminar el estático de prendas a menos que lo recomiende el fabricante del suavizador de tejidos las instrucciones del producto en uso.
- No utilice calor para secar prendas que contengan espuma de caucho o materiales de caucho con textura similar.
- Limpie el filtro de pelusa antes o después de cada carga de ropa.
- Mantenga el área alrededor de la apertura de ventilación y las áreas adyacentes a esta apertura sin pelusa, polvo o tierra.
- La parte interior de la máquina y el conducto de ventilación se deben limpiar periódicamente. Esta limpieza la debe llevar a cabo un reparador c alificado.
- Vea la instrucciones de instalación para los requisitos de conexión a tierra.

**GUARDE ESTAS INSTRUCCIONES**

**ADVERTENCIA:** Para su seguridad, la información en este manual debe ser observada para minimizar el riesgo de incendio o explosión, o para prevenir daños a propiedades, heridas o la muerte.

- No almacene o use gasolina u otros líquidos y vapores inflamables cerca de éste u otro aparato electrodoméstico.
- **PASOS QUE USTED DEBE SEGUIR SI HUELE A GAS:**
  - No trate de encender ningún aparato electrodoméstico.
  - No toque ningún enchufe eléctrico; no use ningún teléfono en su edificio.
  - Desaloje a todos los ocupantes del cuarto, edificio o área.
  - Llame inmediatamente a su proveedor de gas desde el teléfono de un vecino. Siga las instrucciones de su proveedor de gas.
  - Si usted no puede comunicarse con su proveedor de gas, llame al departamento de bomberos.
- La instalación y el servicio deben ser efectuados por un instalador calificado, una agencia de servicio o por el proveedor de gas.

## Revisión de su ventilación

Su secadora debe de estar instalada y ventilada adecuadamente para obtener una eficiencia máxima de secado y acortar el tiempo de secado. Deje que los espacios de instalación tengan las medidas mínimas recomendadas (se encuentran en sus Instrucciones de instalación). Vea las Instrucciones de instalación para más información.

### ⚠ ADVERTENCIA



#### Peligro de Incendio

Use un ducto de escape de metal pesado.

No use un ducto de escape de plástico.

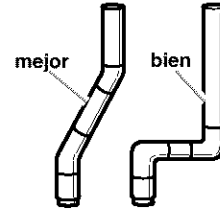
No use un ducto de escape de aluminio.

No seguir estas instrucciones puede ocasionar la muerte o incendio.

La secadora no estará bajo garantía si no está instalada y ventilada adecuadamente.

**NOTA:** Las visitas de servicio que resulten necesarias debido a una ventilación inadecuada irán por cuenta del cliente, ya sea que se trate de una instalación pagada o una hecha por el cliente mismo.

1. No utilice un ducto de escape de plástico o de aluminio. Utilice un ducto de escape de metal pesado o de metal flexible de 4 pulg. (10,2 cm). No tuerza o preñe el ducto de escape de metal flexible. El ducto de escape debe de estar completamente extendido para permitir el flujo del aire de ventilación. Revise el ducto de escape después de la instalación. Vea sus Instrucciones de instalación para los requerimientos necesarios para la longitud del ducto.
2. Utilice una capota de ventilación de 4 pulg. (10,2 cm).
3. Utilice el camino más directo posible al instalar el ducto.



4. Utilice abrazaderas para sellar todas las juntas. No use cinta adhesiva para conductos, tornillos ni otros dispositivos de fijación que se extiendan dentro del ducto de escape, para fijar el ducto.
5. Limpie el ducto de escape por lo menos cada 2 años o periódicamente según el uso que le dé a la secadora o cuando instale la secadora en un nuevo lugar. Cuando termine la limpieza revise por última vez el producto, asegurándose de seguir las Instrucciones de Instalación que acompañan a su secadora.

## USO DE LA SECADORA

### Cómo cargar

Coloque la ropa en la secadora holgadamente. No llene en exceso la secadora. Deje suficiente espacio para que la ropa rote con libertad. El cuadro a continuación ilustra ejemplos de cargas balanceadas que permitirán el movimiento de tambor adecuado.

#### SECADORAS DE CAPACIDAD ULTRA, CAPACIDAD SUPER y CAPACIDAD SUPER PLUS

Ropa pesada de trabajo	Carga mixta	Toallas	Artículos delicados
4 pantalones	3 sábanas (1 de cama doble, 2 de camas gemelas)	10 toallas para baño	3 camisolas
4 pantalones de mezclilla	4 fundas	10 toallas para manos	1 bata de casa
2 sudaderas	9 camisetas	14 toallas faciales	4 fondos
2 pantalones de deporte	9 pantalones cortos	1 tapete de baño	8 prendas de ropa interior
4 camisas	3 blusas		2 juegos de ropa de dormir
	10 pañuelos de mano		1 vestido de niño
	3 camisas		

#### SECADORAS DE CAPACIDAD EXTRAGRANDE

Ropa pesada de trabajo	Carga mixta	Toallas	Artículos delicados
3 pantalones	3 sábanas tamaño matrimonial	10 toallas para baño	3 camisolas
4 jeans	4 fundas para almohadas	10 toallas para manos	1 bata
2 overoles	8 camisetas	14 toallas faciales	4 fondos
3 camisas	6 pantalones cortos	1 tapete de baño	6 piezas de ropa interior
	2 blusas		2 juegos de pijamas
	8 pañuelos		1 juego de ropa para niños

## ⚠️ ADVERTENCIA



### Peligro de Explosión

Mantenga los materiales y vapores inflamables, tales como la gasolina, alejados de la secadora.

No seque ningún artículo que haya tenido alguna vez cualquier sustancia inflamable (aún después de lavarlo).

No seguir estas instrucciones puede ocasionar la muerte, explosión o incendio.

## ⚠️ ADVERTENCIA



### Peligro de Incendio

Ninguna lavadora puede eliminar completamente el aceite.

No seque ningún artículo que haya tenido alguna vez cualquier tipo de aceite (incluyendo los aceites de cocina).

Los artículos que contengan espuma, hule o plástico deben secarse en un tendedero o usando un Ciclo de Aire.

No seguir estas instrucciones puede ocasionar la muerte o incendio.

**Este folleto cubre varios modelos diferentes. Puede ser que su secadora no cuente con todos los ciclos y características descritos.**

Antes de usar la secadora, limpie el tambor de la misma con un paño húmedo para quitar el polvo que se acumuló durante el almacenaje y envío.

1. Coloque la ropa en la secadora de modo suelto y cierre la puerta. No llene en exceso la secadora. Deje suficiente espacio para que la ropa rote con libertad.
2. Gire la perilla de Control de ciclos al ciclo recomendado para el tipo de carga que se va a secar. Use el ajuste Ahorro de energía (Energy Preferred) para secar la mayoría de las telas pesadas y de peso mediano.
3. Si su secadora tiene un selector de Temperatura, fíjelo en el ajuste recomendado para el tipo de tela que se va a secar. Vea "Descripción de los ciclos de la secadora" (hoja aparte) para sugerencias de temperatura. En algunos modelos, la temperatura se incluye en la selección de ciclos.
4. (OPCIONAL) Su secadora puede tener un selector para la característica Protector antiarrugas (WRINKLE SHIELD™). Si no es posible retirar la carga de la secadora tan pronto como ésta se detenga, se pueden formar arrugas. Esta característica periódicamente da vueltas, acomoda y esponja la ropa sin calor para evitar que se arrugue.
5. (OPCIONAL) Su secadora puede tener una Señal de fin de ciclo (END OF CYCLE SIGNAL). Esta señal es útil cuando se sequen artículos que deben sacarse de la secadora tan pronto como se detenga.
  - En algunos modelos se puede ajustar el volumen de la señal de fin de ciclo. Gire el selector al volumen deseado.
  - En otros modelos, la señal de fin de ciclo forma parte del botón Inicio (Start) y se puede seleccionar. Gire el botón START a Puesta en marcha (ON) u Apagado (OFF). La señal sonará sólo cuando el selector se fije en ON.
6. Seleccione la Opción deseada. Vea "Descripción de los ciclos de la secadora" (hoja aparte).
7. Si desea, agregue una hoja de suavizante de telas. Emplee únicamente las que llevan etiquetas de "para uso en secadoras." Siga las instrucciones del paquete.
8. Oprima el botón de START.

### Para detener y volver a poner en marcha

Usted puede detener su secadora en cualquier momento durante un ciclo.

### Para detener su secadora

Abra la puerta de la secadora o gire la perilla de Control de Ciclos a OFF.

**NOTA:** La perilla de Control de Ciclos debe apuntar hacia el área de Apagado cuando la secadora no está en uso.

### Para volver a poner en marcha su secadora

Cierre la puerta. Seleccione un nuevo ciclo y temperatura (si lo desea). Oprima START.

## Opción estante de secado

Use el estante de secado para secar artículos tales como suéters y almohadas sin rotación. El tambor gira, pero el estante no se mueve.

Si su modelo no tiene un estante de secado, usted puede comprar uno para su modelo. Refiérase a la portada del manual o póngase en contacto con el distribuidor donde compró su secadora para saber si puede usar un estante de secado con su modelo, y para recibir información sobre cómo ordenarlo.

**NOTA:** Usted deberá quitar el estante para un secado normal con rotación. No use ciclos automáticos con el estante de secado.

### Para usar el estante de secado

1. Coloque el estante de secado en la secadora.

**Estilo 1:** Su estante de secado tiene patas frontales. Deslice las espigas traseras dentro de las hendiduras que están en la pared posterior de la secadora. Baje las patas frontales para que descansen en la abertura de la secadora.

**Estilo 2:** Su estante de secado NO tiene patas frontales. No quite el filtro de pelusa. Deslice el estante de secado encima de la parte inferior de la abertura de la puerta de la secadora. Empuje hacia abajo para asegurar el estante en el marco.

2. Ponga los artículos mojados sobre el estante de secado, dejando espacio entre ellos. No permita que los artículos cuelguen del borde del estante de secado. Cierre la puerta.
3. Seleccione el ciclo programado de tiempo y de temperatura, o un ciclo de aire. Los artículos que contengan espuma, hule o plástico deben secarse en un tendedero o usando un ciclo de aire. Consulte el cuadro a continuación.
4. Ponga la secadora en marcha. Si lo necesita, vuelva a fijar el ciclo para completar el secado.

Secado con estante	Ciclo	Temp	Tiempo
Artículos lavables de lana (déles forma y extiéndalos en sentido plano en el estante)	Secado programado	Baja	60 min.
Juguetes de peluche/almohadas (con relleno de algodón o fibra de poliéster)	Secado programado	Baja	60 min.
Juguetes de peluche/almohadas Rellenos con hule espuma	Aire (sin calor)	N/A	90 min.

## CUIDADO DE LA SECADORA

### Limpieza del filtro de pelusa

Limpie el filtro de pelusa antes de cada carga. Un filtro obstruido con pelusa puede aumentar el tiempo de secado.

#### IMPORTANTE:

- No ponga a funcionar la secadora con el filtro de pelusa flojo, dañado, obstruido o sin él. El hacerlo puede causar un sobrecalentamiento y dañar tanto la secadora como las prendas.
- Si al quitar la pelusa del filtro ésta cae dentro de la secadora, revise la capota de ventilación y quite la pelusa.

### Limpieza de cada carga

#### Estilo 1:

1. El filtro de pelusa está ubicado en la parte superior de la secadora. Jale el filtro de pelusa hacia usted. Quite la pelusa enrollándola con los dedos. No enjuague o lave el filtro para quitar la pelusa. La pelusa mojada es difícil de sacar.
2. Empuje el filtro firmemente hasta que quede en su lugar.

#### Estilo 2:

1. El filtro de pelusa está localizado en la puerta de la secadora. Jale el filtro de pelusa directamente hacia arriba. Quite la pelusa enrollándola con los dedos. No enjuague o lave el filtro para quitar la pelusa. La pelusa mojada es difícil de sacar.
2. Empuje el filtro firmemente hasta que quede en su lugar.

### Limpieza periódica

1. Moje ambos lados del filtro de pelusa con agua caliente.
2. Moje un cepillo de nylon con agua caliente y detergente líquido. Talle el filtro de pelusa con el cepillo para quitar la acumulación de residuos.
3. Enjuague el filtro con agua caliente.
4. Seque minuciosamente el filtro de pelusa con una toalla limpia. Vuelva a colocar el filtro en la secadora.

### Limpieza del interior de la secadora

#### ⚠ ADVERTENCIA



#### Peligro de Explosión

Use un limpiador no inflamable.

No seguir esta instrucción puede ocasionar la muerte, explosión o incendio.

1. Aplique un limpiador doméstico no inflamable al área manchada del tambor y frote con un paño suave hasta que desaparezca la mancha.
2. Limpie el tambor minuciosamente con un paño húmedo.
3. Seque una carga de ropa limpia o toallas para secar el tambor.

**NOTA:** Las prendas de colores que destiñen tales como mezclillas o artículos de algodón de colores vivos, pueden teñir el interior de la secadora. Estas manchas no dañan su secadora ni mancharán las cargas futuras de ropa. Seque los artículos de colores que destiñen al revés para evitar la transferencia del tinte.

### Eliminación de pelusa acumulada

#### Del interior del gabinete de la secadora

Según el uso de la secadora, se debe quitar la pelusa cada 2 años, o con más frecuencia. La limpieza deberá efectuarla una persona calificada.

#### Del interior del ducto de escape

Según el uso de la secadora, se debe quitar la pelusa cada 2 años, o con más frecuencia.

## Cambio de la luz del tambor

1. Desenchufe la secadora o desconecte la energía.
2. Abra la puerta de la secadora. Localice la cubierta del foco de luz en la pared posterior de la secadora. Quite el tornillo ubicado en la esquina inferior derecha de la cubierta. Quite la cubierta.
3. Gire el foco en sentido contrario a las manecillas del reloj. Reemplácelo únicamente con un foco para electrodomésticos de 10 vatios. Vuelva a colocar la cubierta y asegúrela con el tornillo.
4. Enchufe la secadora o vuelva a conectar la energía.

# SOLUCIÓN DE PROBLEMAS

En primer lugar, pruebe las soluciones sugeridas aquí y posiblemente se evite el gasto de una llamada de servicio técnico...

## Funcionamiento de la secadora

### La secadora no funciona

#### ■ Verifique lo siguiente:

- ¿Se ha enchufado el cable eléctrico?
- ¿Se ha quemado un fusible o se ha disparado el cortacircuitos? Puede ser que haya 2 fusibles o disyuntores para la secadora. Verifique que ambos fusibles estén intactos y ajustado, o que no se hayan disparado los cortacircuitos.
- ¿Se usó un fusible regular? Use un fusible retardador.
- ¿Está cerrada con firmeza la puerta de la secadora?
- ¿Se oprimió con firmeza el botón de START (Inicio)?
- ¿Se ha seleccionado un ciclo?

### No hay calor

- **¿Se ha quemado un fusible o se ha disparado el cortacircuitos?** Las secadoras eléctricas utilizan 2 fusibles o disyuntores domésticos. El tambor quizás rote pero sin calor.
- **¿Se ha seleccionado un ciclo de secado al aire?** Seleccione el ciclo correcto para el tipo de prendas que se estén secando.
- **En el caso de secadoras a gas, ¿está la válvula abierta en la vía de abastecimiento?**

### Sonidos raros

- **¿Ha estado la secadora en desuso durante un período?** Si la secadora ha estado en desuso por una temporada, podrá oírse un ruido pesado durante los primeros minutos de funcionamiento.
- **¿Es una secadora a gas?** El chasquido de la válvula de gas es un sonido de funcionamiento normal.

## Resultados de la secadora

### La ropa no está secándose de modo satisfactorio

#### ■ Verifique lo siguiente:

- ¿Está el filtro de pelusa obstruido con pelusa?
- ¿Está obstruido con pelusa el ducto de escape o la capota de ventilación, restringiendo el flujo del aire? Ponga a funcionar la secadora unos 5 a 10 minutos. Ponga su mano debajo de la capota de ventilación para verificar el movimiento del aire. Si no lo siente, limpie la pelusa del sistema de ventilación o reemplace el ducto de escape con uno de metal pesado o de metal flexible. Consulte las Instrucciones de instalación.

¿Está el ducto de escape aplastado o retorcido? Reemplácelo con un ducto de metal pesado o flexible. Consulte las Instrucciones de instalación.

¿Están las hojas del suavizante de telas bloqueando la rejilla? Use únicamente una hoja del suavizante de telas y úsela una sola vez.

- **¿Está la secadora ubicada en una habitación cuya temperatura está debajo de 45°F (7°C)?** El funcionamiento apropiado de los ciclos de la secadora requiere temperaturas superiores a 45°F (7°C).
- **¿Se usó un enjuague frío? ¿Estaba la carga muy mojada?** Espere tiempos de secado más prolongados para artículos enjuagados en agua fría y para aquellos que retienen humedad (fibras de algodón).
- **¿Está la carga demasiado voluminosa y pesada para secarse con rapidez?** Separe la carga de modo que pueda rotar libremente.

### Pelusa en la carga

- **¿Está obstruido el filtro de pelusa?** Limpie el filtro de pelusa. Verifique si hay movimiento de aire.
- **¿Se ha separado la carga de modo apropiado?** Separe las prendas que sueltan pelusa (toallas, felpilla) de las que atraen pelusa (pana, artículos sintéticos). También separe por color.
- **¿Está la carga demasiado voluminosa o demasiado pesada?** Seque cargas menos voluminosas para que la pelusa pueda ser trasladada al filtro de pelusa.
- **¿Se secó la carga en exceso?** Fije el ajuste de la secadora según el tipo de carga. Secar en exceso puede dar lugar a la electricidad estática que atrae pelusa. Vea "Descripción de los ciclos de la secadora" (hoja aparte).
- **¿Se dejó papel o pañuelo de papel en los bolsillos?**
- **¿Se están confundiendo las motitas con la pelusa?** Las motitas (en la superficie de la ropa) son causadas por el desgaste normal y el lavado.

### Manchas en la carga o cambio de color

- **¿Se usó de modo apropiado el suavizante de telas para secadoras?** Agregue las hojas del suavizante de telas para secadora al comienzo del ciclo. Las hojas del suavizante de telas que se agregan a una carga parcialmente seca pueden manchar las prendas.
- **¿Estaban sucios los artículos en el momento de ponerlos en la secadora?** Los artículos deberían estar limpios antes de ponerlos a secar.
- **¿Se separaron los artículos de modo apropiado?** Separe los colores claros de los colores oscuros. Separe los artículos que no destiñen de los que destiñen.

---

### Las prendas se encogen

---

- **¿Se sobrecargó la secadora?** Seque cargas menos voluminosas que puedan rotar con libertad.
- **¿Se secó la carga en exceso?** Verifique la etiqueta de cuidado del fabricante. Fije el ajuste de la secadora según el tipo de carga.

---

### Las cargas están arrugadas

---

- **¿Se quitó la carga de la secadora al terminar el ciclo?**
- **¿Se sobrecargó la secadora?** Seque cargas menos voluminosas que puedan rotar con libertad.
- **¿Se secó la carga en exceso?** Verifique la etiqueta de cuidado del fabricante. Fije el ajuste de la secadora según el tipo de carga.

---

### Olores

---

- **¿Pintó, tiñó o barnizó recientemente en el área donde se encuentra su secadora?** Si es así, ventile el área. Cuando los olores y el humo se hayan ido del área, vuelva a lavar la ropa y luego séquela.
- **Si la secadora es eléctrica, ¿se está usando por primera vez?** El nuevo elemento calentador eléctrico puede emitir un olor. El olor desaparecerá después del primer ciclo.

---

### Prendas deterioradas

---

- **Verifique lo siguiente:**
  - ¿Se dejaron abiertos los zípers, broches de presión y ganchos?
  - ¿Se ataron los cordones y fajas para evitar que se enreden?
  - ¿Se siguieron las instrucciones de la etiqueta de cuidado de la prenda?
  - ¿Se han deteriorado los artículos antes del secado?

---

## GARANTÍA DE LA SECADORA WHIRLPOOL®

---

### GARANTÍA TOTAL DE UN AÑO

Durante un año a partir de la fecha de compra, siempre y cuando se dé a la secadora un uso y mantenimiento de conformidad con las instrucciones adjuntas o provistas con el producto, Whirlpool Corporation se hará cargo del costo de las piezas de repuesto FSP® y del gasto del trabajo de reparación para corregir defectos en los materiales o en la mano de obra. El servicio deberá ser suministrado por una compañía de servicio designada por Whirlpool.

---

#### Whirlpool Corporation no pagará por:

1. Visitas de servicio técnico para corregir la instalación de su secadora, incluyendo la ventilación. Se debe usar un ducto de escape de metal pesado de 4 pulg. (10,2 cm). Refiérase a la sección de ventilación y a las Instrucciones de Instalación de este manual.
2. Visitas de servicio técnico para enseñarle a usar su secadora, para cambiar fusibles domésticos, para corregir la instalación eléctrica de la casa, para volver a fijar los disyuntores o para cambiar bombillas de luz que están al alcance del propietario.
3. Reparaciones cuando su secadora se use de un modo diferente al doméstico familiar.
4. Daños causados por accidente, alteración, uso indebido, abuso, incendio, inundación, actos fortuitos, instalación incorrecta (incluyendo, pero no limitado al uso de ductos de escape de plástico u hoja de aluminio flexible), instalación que no sea de conformidad con los códigos de electricidad y plomería locales, o el empleo de productos no aprobados por Whirlpool Corporation.
5. Piezas de repuesto o gastos de reparación para electrodomésticos que se empleen fuera de los Estados Unidos.
6. Recogida y entrega. Este producto está diseñado para ser reparado en el hogar.
7. Reparaciones de piezas o sistemas como resultado de modificaciones no autorizadas que se hayan efectuado en el electrodoméstico.

---

#### WHIRLPOOL CORPORATION NO SE RESPONSABILIZARÁ POR DAÑOS INCIDENTALES O CONSECUENTES.

Algunos estados no permiten la exclusión o limitación de daños incidentales o consecuentes, de modo que esta exclusión o limitación quizás no le corresponda. Esta garantía le da derechos legales específicos y Ud. también puede tener otros derechos que varían de un estado a otro.

**Esta garantía no tiene vigor fuera de los 50 Estados Unidos. Para determinar si se aplica otra garantía, sírvase ponerse en contacto con su distribuidor autorizado de Whirlpool.**

3/02

---

#### Refacciones

Si necesita pedir piezas de repuesto, recomendamos que use únicamente piezas especificadas de fábrica FSP®. Estas piezas encajarán bien y funcionarán bien ya que están fabricadas con la misma precisión empleada en la fabricación de cada electrodoméstico nuevo de WHIRLPOOL®.

---

#### Para conseguir las piezas de repuesto FSP en su localidad:

Llame al Centro de Interacción del Cliente al **1-800-253-1301**, o a su centro de servicio designado más cercano.

Para obtener información sobre cómo ponerse en contacto con Whirlpool Corporation, sírvase ver la portada de este documento.

**8522243A**

© 2002 Whirlpool Corporation.  
All rights reserved.  
Todos los derechos reservados.

® Registered Trademark/TM Trademark of Whirlpool, U.S.A.  
® Marca registrada/TM Marca de comercio de Whirlpool, EE.UU.



5/02  
Printed in U.S.A.  
Impreso en EE.UU.