

This Owner's Manual is provided and hosted by [Appliance Factory Parts](#).



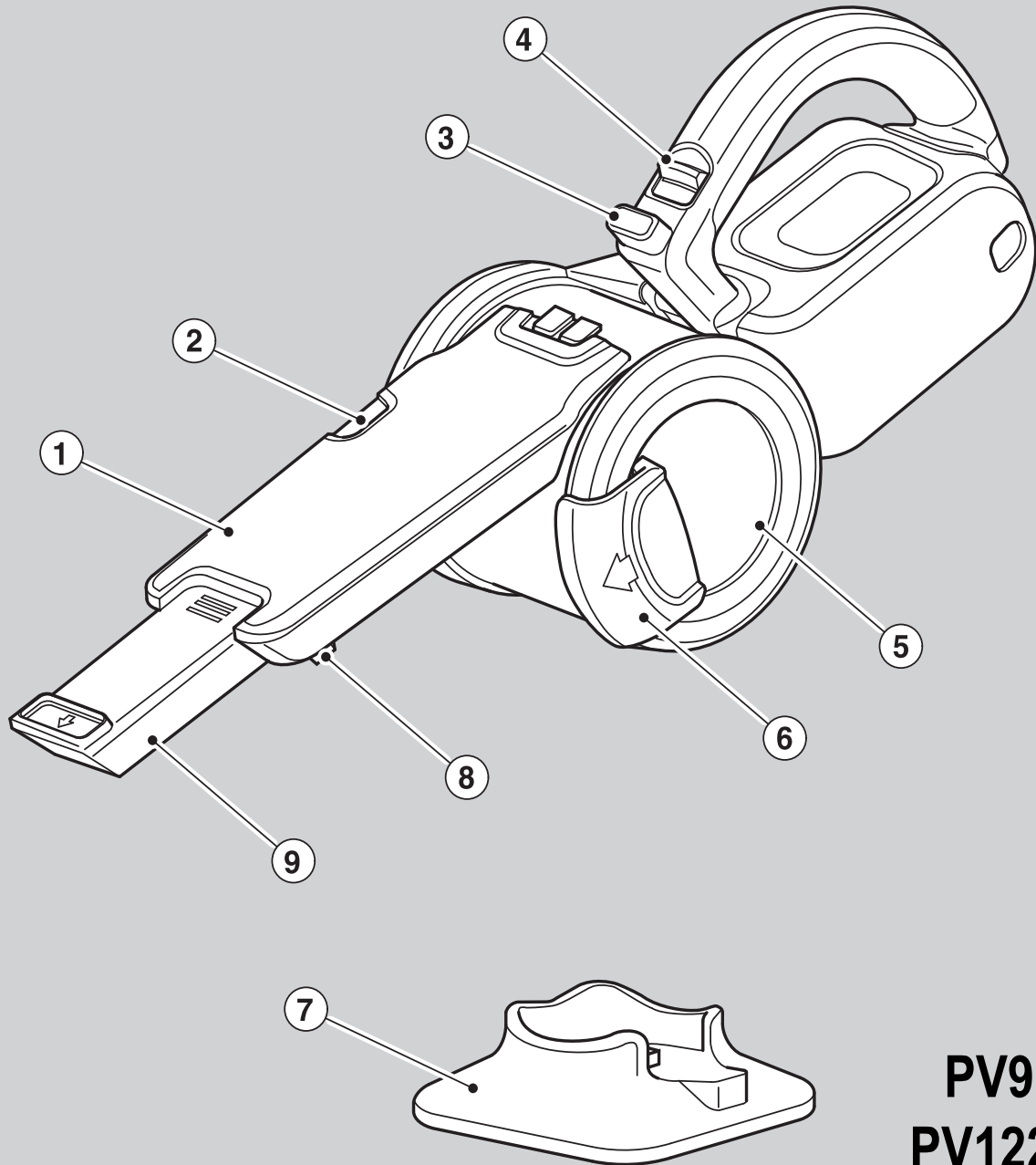
Black & Decker PV1225NB Owner's Manual

[Shop genuine replacement parts for Black & Decker
PV1225NB](#)



[Find Your Black & Decker Vacuum Cleaner Parts - Select From 339 Models](#)

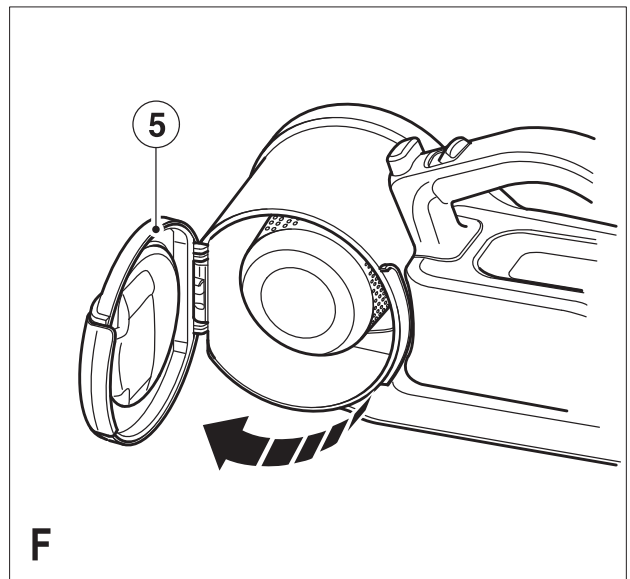
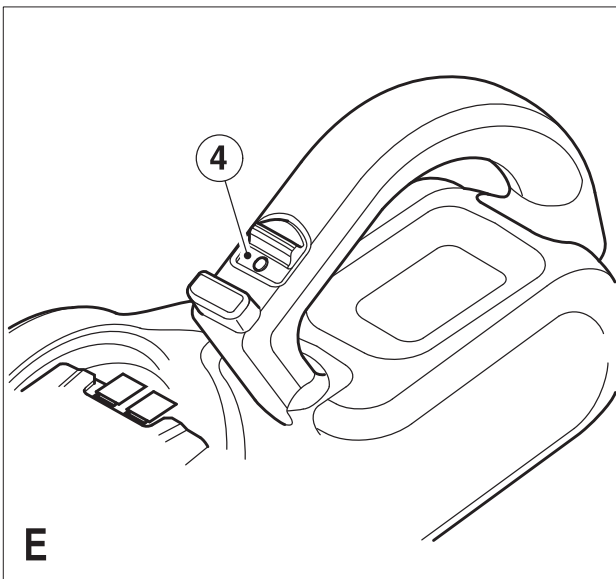
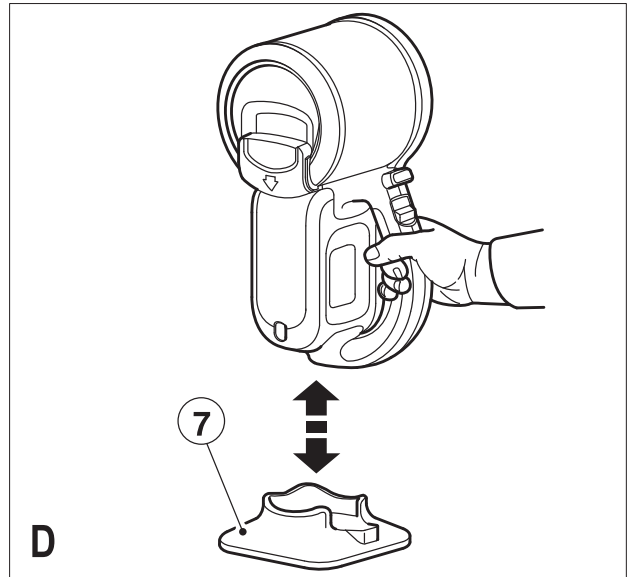
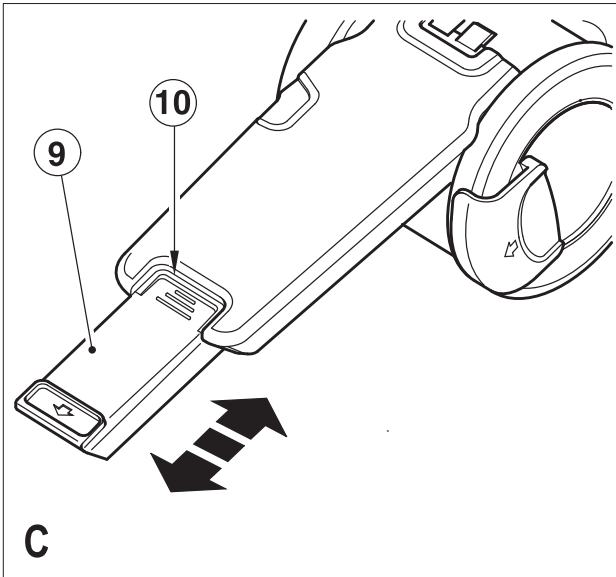
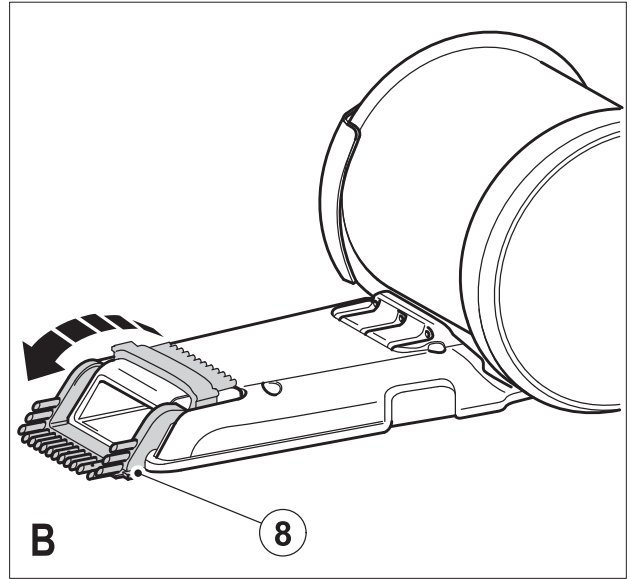
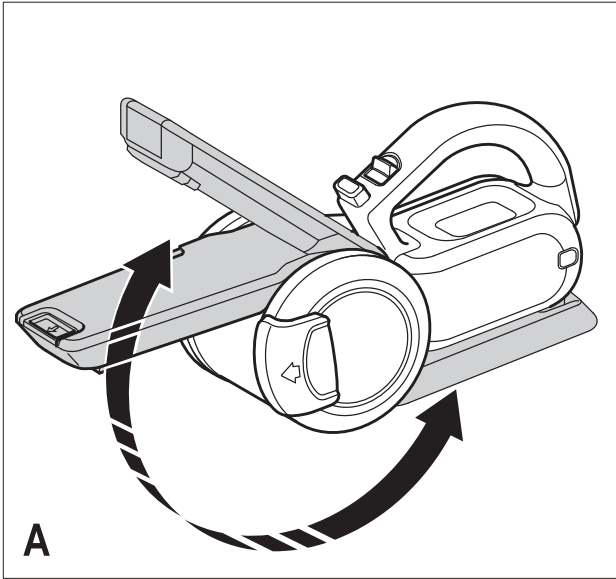
----- Manual continues below -----

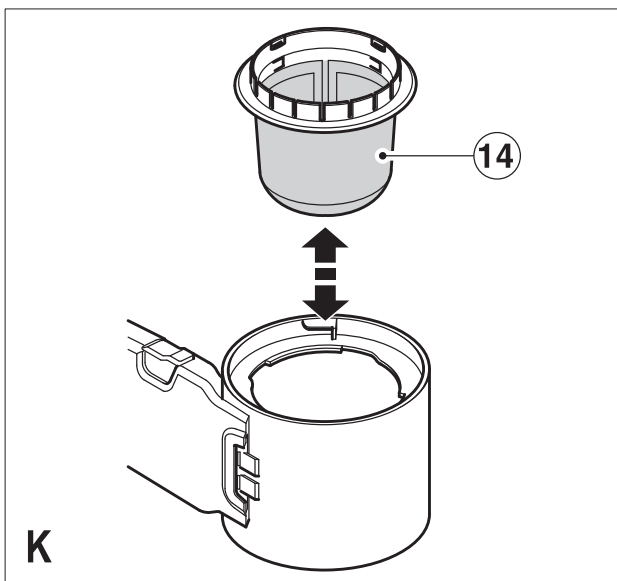
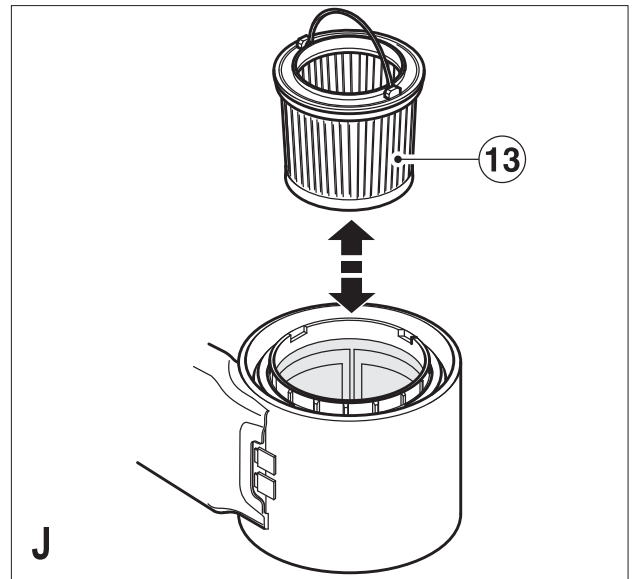
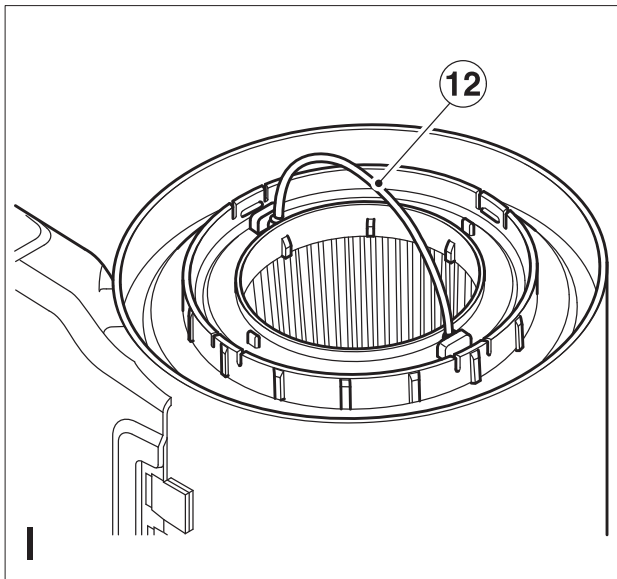
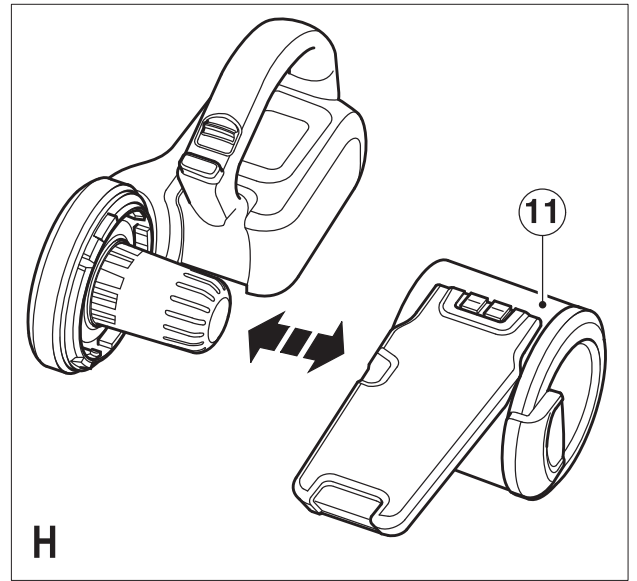
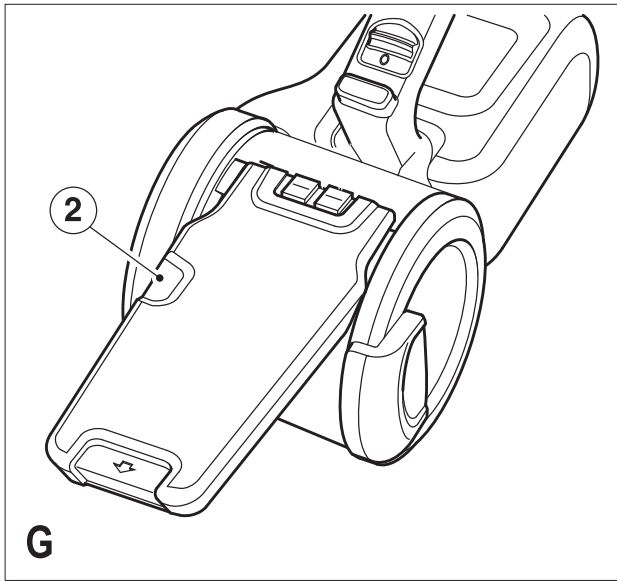


PV9625N
PV1225NB
PV1225NPM
PV1425N
PV1825N

www.blackanddecker.eu

English	(Original instructions)	5
Deutsch	(Übersetzung der ursprünglichen Anweisungen)	10
Français	(Traduction des instructions initiales)	16
Italiano	(Traduzione del testo originale)	22
Nederlands	(Vertaling van de originele instructies)	28
Español	(Traducción de las instrucciones originales)	33
Português	(Tradução das instruções originais)	39
Svenska	(Översättning av originalanvisningarna)	45
Norsk	(Oversettelse av de opprinnelige instruksjonene)	50
Dansk	(Oversættelse af de oprindelige instruktioner)	55
Suomi	(Alkuperäisten ohjeiden käännös)	60
Ελληνικά	(Μετάφραση των πρωτότυπων οδηγιών)	65
Türkçe	(Orijinal talimatların Çeviri)	71





Intended use

Your Black & Decker Dustbuster® hand-held vacuum cleaner has been designed for light dry vacuum cleaning purposes. This appliance is intended for household use only.

General appliance safety warnings



Warning! When using mains-powered/cordless appliances, basic safety precautions, including the following, should always be followed to reduce the risk of fire, electric shock, personal injury and material damage.

- ◆ Read all of this manual carefully before using the appliance.
- ◆ The intended use is described in this manual. The use of any accessory or attachment or the performance of any operation with this appliance other than those recommended in this instruction manual may present a risk of personal injury.

The term "appliance" in the warnings refers to your mains-operated (corded) appliance or battery-operated (cordless) appliance.

Save all warnings and instructions for future reference.

Using your appliance

Always take care when using the appliance.

- ◆ Keep work area clean and well lit. Cluttered or dark areas invite accidents.
- ◆ Only use the appliance in daylight or good artificial light.
- ◆ Do not operate your appliance in explosive atmospheres, such as in the presence of flammable liquids, gases or dust.
- ◆ Never allow children or people unfamiliar with the instructions to use the appliance.
- ◆ Do not allow children or animals to come near the work area or touch the appliance supply cord.
- ◆ Keep children, bystanders and animals away while operating an appliance. Distractions can cause you to lose control.
- ◆ The appliance is not to be used as a toy.
- ◆ Do not immerse the appliance in water.
- ◆ Do not open body casing. There are no user-serviceable parts inside.

Personal safety

- ◆ Stay alert, watch what you are doing and use common sense when operating an appliance. Do not use an appliance while you are tired or under the influence of drugs, alcohol or medication. A moment of inattention while operating an appliance may result in serious personal injury.

- ◆ Where required, use personal protective equipment. Protective equipment such as eye protection, dust mask, non-skid safety shoes, hard hat, or hearing protection used for appropriate conditions will reduce personal injuries.
- ◆ Prevent unintentional starting. Ensure the switch is in the off-position before connecting to power source and/or battery pack, picking up or carrying the appliance. Carrying appliances with your finger on the switch or energising appliances that have the switch on invites accidents.
- ◆ Do not overreach. Keep proper footing and balance at all times. This enables better control of the appliance in unexpected situations.
- ◆ Dress properly. Do not wear loose clothing or jewellery. Keep your hair, clothing and gloves away from moving parts. Loose clothes, jewellery or long hair can be caught in moving parts.

Appliance use and care

- ◆ Before use, check the appliance for damaged or defective parts. Check for breakage of parts, damage to switches and any other conditions that may affect its operation.
- ◆ Do not use the appliance if the switch does not turn it on and off. Any appliance that cannot be controlled with the switch is dangerous and must be repaired.
- ◆ Disconnect the plug from the power source and/or the battery pack from the appliance before making any adjustments, changing accessories, or storing appliances. Such preventive safety measures reduce the risk of starting the appliance accidentally.
- ◆ Where applicable, keep cutting tools sharp and clean. Properly maintained cutting tools with sharp cutting edges are less likely to bind and are easier to control.
- ◆ Do not use the appliance if any part is damaged or defective.
- ◆ Have any damaged or defective parts repaired or replaced by an authorised repair agent.
- ◆ Never attempt to remove or replace any parts other than those specified in this manual.

Electrical safety

- ◆ Appliance plugs must match the outlet. Never modify the plug in any way. Do not use any adapter plugs with earthed (grounded) appliance. Unmodified plugs and matching outlets will reduce risk of electric shock.
- ◆ Do not expose appliance to rain or wet conditions. Water entering a appliance will increase the risk of electric shock.
- ◆ Do not abuse the cord. Never use the cord for carrying, pulling or unplugging the appliance. Keep cord away

from heat, oil, sharp edges or moving parts. Damaged or entangled cords increase the risk of electric shock.

- ◆ When operating an appliance outdoors, use an extension cord suitable for outdoor use. Use of a cord suitable for outdoor use reduces the risk of electric shock.
- ◆ If operating an appliance in a damp location is unavoidable, use a Residual Current Device (RCD) protected supply. Use of an RCD reduces the risk of electric shock.

Battery tool use and care (cordless appliance only)

- ◆ Recharge only with the charger specified by the manufacturer. A charger that is suitable for one type of battery pack may create a risk of fire when used with another battery pack.
- ◆ Use appliances only with specifically designated battery packs. Use of any other battery packs may create a risk of injury and fire.
- ◆ When battery pack is not in use, keep it away from other metal objects, like paper clips, coins, keys, nails, screws or other small metal objects that can make a connection from one terminal to another. Shorting the battery terminals together may cause burns or a fire.
- ◆ Under abusive conditions, liquid may be ejected from the battery; avoid contact. If contact accidentally occurs, flush with water. If liquid contacts eyes, additionally seek medical help. Liquid ejected from the battery may cause irritation or burns.

After use

- ◆ When not in use, the appliance should be stored in a dry, well ventilated place out of the reach of children.
- ◆ Children should not have access to stored appliances.
- ◆ When the appliance is stored or transported in a vehicle it should be placed in the boot or restrained to prevent movement following sudden changes in speed or direction.

Safety of others

- ◆ This tool is not intended for use by persons (including children) with reduced physical, sensory or mental capabilities, or lack of experience and knowledge, unless they have been given supervision or instruction concerning the use of the appliance by a person responsible for their safety.
- ◆ Children should be supervised to ensure that they do not play with the appliance.

Service

Have your appliance serviced by a qualified repair person using only identical replacement parts. This will ensure that the safety of the appliance is maintained.

Additional safety instructions - batteries and chargers

Batteries

- ◆ Never attempt to open for any reason.
- ◆ Do not expose the battery to water.
- ◆ Do not expose the battery to heat.
- ◆ Do not store in locations where the temperature may exceed 40°C.
- ◆ Charge only at ambient temperatures between 10°C and 40°C.
- ◆ Charge only using the charger provided with the appliance/tool. Using the wrong charger could result in an electric shock or overheating of the battery.
- ◆ When disposing of batteries, follow the instructions given in the section "Protecting the environment".
- ◆ Do not damage/deform the battery pack either by puncture or impact, as this may create a risk of injury and fire.
- ◆ Do not charge damaged batteries.
- ◆ Under extreme conditions, battery leakage may occur. When you notice liquid on the batteries carefully wipe the liquid off using a cloth. Avoid skin contact.
- ◆ In case of skin or eye contact, follow the instructions below.

Warning! The battery fluid may cause personal injury or damage to property. In case of skin contact, immediately rinse with water. If redness, pain or irritation occurs seek medical attention. In case of eye contact, rinse immediately with clean water and seek medical attention.

Chargers

Your charger has been designed for a specific voltage. Always check that the mains voltage corresponds to the voltage on the rating plate.

Warning! Never attempt to replace the charger unit with a regular mains plug.

- ◆ Use your Black & Decker charger only to charge the battery in the appliance/tool with which it was supplied. Other batteries could burst, causing personal injury and damage.
- ◆ Never attempt to charge non-rechargeable batteries.
- ◆ If the supply cord is damaged, it must be replaced by the manufacturer or an authorised Black & Decker Service Centre in order to avoid a hazard.
- ◆ Do not expose the charger to water.
- ◆ Do not open the charger.
- ◆ Do not probe the charger.

The appliance/tool/battery must be placed in a well ventilated area when charging.

Electrical safety



Your charger is double insulated; therefore no earth wire is required. Always check that the mains voltage corresponds to the voltage on the rating plate.

If the supply cord is damaged, it must be replaced by the manufacturer or an authorised Black & Decker Service Centre in order to avoid a hazard.

Warning! Never attempt to replace the charger unit with a regular mains plug.

Symbols on the charging base



Your charging base is double insulated; therefore no earth wire is required.



Safety isolating transformer. The mains supply is electrically separated from the transformer output.



The charging base is intended for indoor use only.

Features

1. Dust collector
2. Dust container release button
3. Pivot lock button
4. On/off switch
5. Container door
6. Container door release latch
7. Charging base
8. Flip-out brush
9. Dust collector extension

Assembly

Adjusting the dust collector (fig. A - C)

The dust collector (1) has a brush that can be folded forward for dusting and upholstery cleaning.

- ◆ The dust collector (1) is stored under the appliance. To adjust for use, lift the appliance from the charging base (7).
- ◆ Press the pivot lock button (3) and rotate the dust collector (1) to the required position.
- ◆ Release the pivot lock button (3) to lock the dust collector in position.
- ◆ The dust collector can be extended by pulling the dust collector extension (9) until it locks into position.
- ◆ The extension can be retracted by pressing the button (10) and pushing the extension back into the dust collector.

- ◆ The dust collector should be returned to the storage position under the appliance after use and while charging the appliance.

Residual risks

Additional residual risks may arise when using the tool which may not be included in the enclosed safety warnings. These risks can arise from misuse, prolonged use etc.

Even with the application of the relevant safety regulations and the implementation of safety devices, certain residual risks cannot be avoided. These include:

- ◆ Injuries caused by touching any rotating/moving parts.
- ◆ Injuries caused when changing any parts, blades or accessories.
- ◆ Injuries caused by prolonged use of a tool. When using any tool for prolonged periods make sure you take regular breaks.
- ◆ Impairment of hearing.
- ◆ Health hazards caused by breathing dust developed when using your tool (example:- working with wood, especially oak, beech and MDF).

Use

- ◆ Before first use, the battery must be charged for at least 24 hours.
- ◆ Place the appliance on the charging base whenever it is not in use.

Charging the battery (fig. D)

- ◆ Make sure that the appliance is switched off. The battery will not be charged with the on/off switch (4) in the on position.
- ◆ Place the appliance on the charging base (7) as shown.
- ◆ Plug in the charger. Switch on at the mains.

The charging indicator will be lit.

- ◆ Leave the appliance to charge for at least 24 hours.

While charging, the charger may become warm. This is normal and does not indicate a problem. The appliance can be left connected to the charger indefinitely. The charging indicator will be lit as long as the appliance is connected to the plugged-in charger.

Warning! Do not charge the battery at ambient temperatures below 4 °C or above 40 °C.

Switching on and off (fig. E)

- ◆ To switch the appliance on, slide the on/off switch (4) forward to position **I**.
- ◆ To switch the appliance off, slide the on/off switch (4) back to position **0**.

Optimising the suction force (fig. G - I)

In order to keep the suction force optimised, the filters must be cleared regularly during use.

- ◆ Press the release latch (6) and open the container door (5) (fig. F).
- ◆ Empty the dust container.

Cleaning and maintenance

Rotating the bowl (fig. A) agitates the filter to remove dirt. It is important however to empty the bowl regularly by removing the filters (fig. J).

Warning! Regularly clean the filters (12 & 13).

Cleaning the dust container and filters (fig. G - K)

There are two methods of cleaning the bowl, a quick empty method and a thorough clean method. To carry out the quick empty method use the following instructions.

The filters are re-usable and should be cleaned regularly.

- ◆ Press the release latch (6) and open the container door (5) (fig. F).
- ◆ Empty the dust container (11).
- ◆ Close the dust container door (5). Make sure that the release latch (6) clicks into place.

To carry out a thorough clean of the bowl, use the following instructions.

The dust container (11) is attached to the body of the appliance with a bayonet fixing, to remove the dust container:

- ◆ Press the dust container release button (2) and rotate the dust container (11) anti-clockwise and carefully slide the dust container clear of the appliance.
- ◆ Rotate the filter hook (12) to the vertical position (fig. I).
- ◆ Use the filter hook (12) to rotate the filter (13) within the pre-filter (14) to agitate it and remove dirt.
- ◆ Remove the main filter (13).
- ◆ Brush any loose dust off the filter (13).

The pre-filter (14) is attached with a bayonet fixing, to remove the pre-filter:

- ◆ Rotate the pre-filter (14) anti-clockwise and carefully slide the it clear of the dust container.
- ◆ Install the pre- filter (14) in to the dust container (11) rotating it clockwise until it locks into place.
- ◆ Install the main filter (13) in to the pre-filter (14).
- ◆ Install the dust container (11) to the appliance, rotate it clockwise until it locks into place.

Warning! Never use the appliance without the filters.

Optimum dust collection will only be achieved with clean filters.

Replacing the filters

The filters should be replaced every 6 to 9 months and whenever worn or damaged. Replacement filters are available from your Black & Decker dealer (cat. no. VF90):

- ◆ Remove the old filters as described above.
- ◆ Fit the new filters as described above.

Protecting the environment



Separate collection. This product must not be disposed of with normal household waste.

Should you find one day that your Black & Decker product needs replacement, or if it is of no further use to you, do not dispose of it with household waste. Make this product available for separate collection.



Separate collection of used products and packaging allows materials to be recycled and used again. Re-use of recycled materials helps prevent environmental pollution and reduces the demand for raw materials.

Local regulations may provide for separate collection of electrical products from the household, at municipal waste sites or by the retailer when you purchase a new product.

Black & Decker provides a facility for the collection and recycling of Black & Decker products once they have reached the end of their working life. To take advantage of this service please return your product to any authorised repair agent who will collect them on our behalf.

You can check the location of your nearest authorised repair agent by contacting your local Black & Decker office at the address indicated in this manual. Alternatively, a list of authorised Black & Decker repair agents and full details of our after-sales service and contacts are available on the Internet at: www.2helpU.com.

Technical data

	PV9625N - H1	PV1225NB - H1 PV1225NPM - H1
Voltage	Vdc 9.6	12
Weight	kg 1.52	1.58

	PV1425N - H1	PV1825N - H1
Voltage	Vdc 14.4	18
Weight	kg 1.66	1,76

Charger	CHA002014B/G
Input voltage	Vac 100-240
Output voltage	Vdc 7.2-24
Output current	mA 85
Approx. charging time	h 21
Weight	kg 0.18

Level of sound pressure:
<75 dB(A) according to EN 60704)

Guarantee

Black & Decker is confident of the quality of its products and offers an outstanding guarantee. This guarantee statement is in addition to and in no way prejudices your statutory rights. The guarantee is valid within the territories of the Member States of the European Union and the European Free Trade Area.

If a Black & Decker product becomes defective due to faulty materials, workmanship or lack of conformity, within 24 months from the date of purchase, Black & Decker guarantees to replace defective parts, repair products subjected to fair wear and tear or replace such products to make sure of the minimum inconvenience to the customer unless:

- ◆ The product has been used for trade, professional or hire purposes.
- ◆ The product has been subjected to misuse or neglect.
- ◆ The product has sustained damage through foreign objects, substances or accidents.
- ◆ Repairs have been attempted by persons other than authorised repair agents or Black & Decker service staff.

To claim on the guarantee, you will need to submit proof of purchase to the seller or an authorised repair agent. You can check the location of your nearest authorised repair agent by contacting your local Black & Decker office at the address indicated in this manual. Alternatively, a list of authorised Black & Decker repair agents and full details of our after-sales service and contacts are available on the Internet at: **www.2helpU.com**

Please visit our website **www.blackanddecker.co.uk** to register your new Black & Decker product and to be kept up to date on new products and special offers. Further information on the Black & Decker brand and our range of products is available at **www.blackanddecker.co.uk**.

Bestimmungsgemäße Verwendung

Der Handstaubsauger Black & Decker Dustbuster® wurde zum Saugen von leichtem, trockenem Schmutz entwickelt. Dieses Gerät ist nicht für den gewerblichen Einsatz vorgesehen.

Allgemeine Sicherheitswarnungen für das Gerät



Achtung! Beachten Sie beim Umgang mit netzstrombetriebenen/kabellosen Geräten stets die grundlegenden Sicherheitshinweise, die im Folgenden beschrieben werden. Dadurch verhindern Sie Brände, Stromschläge sowie Sach- und Personenschäden.

- ◆ Lesen Sie diese Anleitung vollständig und aufmerksam durch, bevor Sie das Gerät zum ersten Mal verwenden.
- ◆ Der vorgesehene Verwendungszweck ist in dieser Anleitung beschrieben. Bei Verwendung von Zubehör oder Anbauteilen, die nicht in dieser Anleitung empfohlen werden, sowie bei der Verwendung des Geräts in Abweichung von den in dieser Anleitung beschriebenen Verfahren besteht Verletzungsgefahr.

Der Begriff „Gerät“ bezieht sich auf netzbetriebene Geräte (mit Netzkabel) und auf akkubetriebene Geräte (ohne Netzkabel).

Bewahren Sie alle Warnungen und Anweisungen gut auf.

Verwendung des Geräts

Verwenden Sie das Gerät stets mit Umsicht.

- ◆ Sorgen Sie für einen sauberen und gut ausgeleuchteten Arbeitsbereich. Unordnung oder dunkle Arbeitsbereiche können zu Unfällen führen.
- ◆ Betreiben Sie das Gerät nur bei Tageslicht oder bei ausreichender Beleuchtung.
- ◆ Betreiben Sie das Gerät nicht in explosionsgefährdeter Umgebung, in der sich brennbare Flüssigkeiten, Gase oder Stäube befinden.
- ◆ Das Gerät darf nicht von Kindern und Personen genutzt werden, die die vorliegenden Anleitungen nicht gelesen haben.
- ◆ Achten Sie darauf, dass sich im Arbeitsbereich keine Kinder oder Tiere aufhalten. Verhindern Sie, dass Kinder das Gerät oder das Netzkabel berühren.
- ◆ Halten Sie Kinder, Zuschauer und Tiere während der Benutzung von Geräten fern. Bei Ablenkung können Sie die Kontrolle verlieren.
- ◆ Das Gerät ist kein Spielzeug.
- ◆ Tauchen Sie das Gerät nicht in Wasser.
- ◆ Versuchen Sie nicht, das Gehäuse zu öffnen. Im Inneren befinden sich keine zu wartenden Teile.

Sicherheit von Personen

- ◆ Seien Sie aufmerksam, achten Sie darauf, was Sie tun, und gehen Sie sachgerecht mit dem Gerät um. Benutzen Sie das Gerät nicht, wenn Sie müde sind oder unter dem Einfluss von Drogen, Alkohol oder Medikamenten stehen. Ein Moment der Unachtsamkeit beim Gebrauch von Geräten kann zu ernsthaften Verletzungen führen.
- ◆ Verwenden Sie ggf. eine geeignete Schutzausrüstung. Schutzausrüstung wie Augenschutz, rutschfeste Sicherheitsschuhe, Schutzhelm oder Gehörschutz, je nach Art und Einsatz des Geräts, verringert das Risiko von Verletzungen.
- ◆ Vermeiden Sie eine unbeabsichtigte Inbetriebnahme. Vergewissern Sie sich, dass das Gerät ausgeschaltet ist, bevor Sie es an eine Steckdose oder einen Akku anschließen, es hochheben oder tragen. Durch das Tragen des Geräts mit dem Finger am Schalter oder durch das Anschließen eingeschalteter Geräte werden Unfälle provoziert.
- ◆ Beugen Sie sich nicht zu weit nach vorne über. Achten Sie auf einen sicheren Stand, um in jeder Arbeitsposition das Gleichgewicht zu halten. Dadurch können Sie das Gerät in unerwarteten Situationen besser unter Kontrolle halten.
- ◆ Tragen Sie geeignete Kleidung. Tragen Sie keine weite Kleidung oder Schmuck. Halten Sie Haare, Kleidung und Handschuhe fern von sich bewegenden Teilen. Weite Kleidung, Schmuck oder lange Haare können von sich bewegenden Teilen erfasst werden.

Gebrauch und Pflege von Geräten

- ◆ Prüfen Sie das Gerät vor der Verwendung auf beschädigte oder defekte Teile. Prüfen Sie, ob Teile gebrochen sind, Schalter beschädigt sind oder andere Bedingungen vorliegen, die die Funktion beeinträchtigen könnten.
- ◆ Betreiben Sie das Gerät nicht, wenn der Schalter zum Ein- und Ausschalten nicht funktioniert. Ein Gerät, das sich nicht mehr ein- oder ausschalten lässt, ist gefährlich und muss repariert werden.
- ◆ Ziehen Sie den Stecker aus der Steckdose, und/oder trennen Sie das Gerät vom Akku, bevor Sie Einstellungen vornehmen, Zubehörteile wechseln oder das Gerät lagern. Diese Vorsichtsmaßnahmen verhindern den unbeabsichtigten Start des Geräts.
- ◆ Halten Sie ggf. die Schneidwerkzeuge scharf und sauber. Sorgfältig gepflegte Schneidwerkzeuge mit scharfen Schneidkanten verklemmen sich seltener und sind leichter zu führen.
- ◆ Betreiben Sie das Gerät nicht, wenn ein Teil beschädigt oder defekt ist.

- ◆ Lassen Sie beschädigte oder defekte Teile in einer Vertragswerkstatt reparieren oder austauschen.
- ◆ Ersetzen oder entfernen Sie keine Teile, für die in dieser Anleitung keine entsprechende Beschreibung enthalten ist.

Elektrische Sicherheit

- ◆ Der Netzstecker des Geräts muss in die Steckdose passen. Der Stecker darf in keiner Weise verändert werden. Verwenden Sie für schutzgeerdete Geräte keine Adapterstecker. Unveränderte Stecker und passende Steckdosen verringern das Risiko eines elektrischen Schlags.
- ◆ Schützen Sie das Gerät vor Regen und Feuchtigkeit. Das Eindringen von Wasser in das Gerät erhöht das Risiko eines elektrischen Schlags.
- ◆ Verwenden Sie das Kabel ordnungsgemäß. Verwenden Sie das Kabel niemals zum Tragen. Trennen Sie das Gerät nicht durch Ziehen am Kabel vom Netz. Halten Sie das Kabel fern von Hitze, Öl, scharfen Kanten oder sich bewegenden Teilen. Beschädigte oder verwickelte Kabel erhöhen das Risiko eines elektrischen Schlags.
- ◆ Verwenden Sie ggf. nur für den Außenbereich zugelassene Verlängerungskabel, wenn Sie mit dem Gerät im Freien arbeiten. Die Verwendung eines für den Außenbereich geeigneten Verlängerungskabels verringert das Risiko eines elektrischen Schlags.
- ◆ Wenn ein Gerät in einer feuchten Umgebung verwendet werden muss, schließen Sie es unbedingt an eine Steckdose mit Fehlerstromschutzschalter (FI-Schalter) an. Ein Fehlerstromschutzschalter verringert das Risiko eines elektrischen Schlags.

Verwendung und Pflege akkubetriebener Geräte (nur kabellose Geräte)

- ◆ Laden Sie den Akku nur mit dem vom Hersteller vorgesehenen Ladegerät auf. Die Verwendung von Ladegeräten, die für eine andere Art von Akku bestimmt sind, kann dazu führen, dass sich der Akku beim Laden entzündet.
- ◆ Verwenden Sie nur die für das jeweilige Gerät vorgesehenen Akkus. Die Verwendung anderer Akkus kann zu Verletzungen oder Bränden führen.
- ◆ Bewahren Sie den Akku bei Nichtbenutzung nicht in der Nähe metallischer Objekte wie Büroklammern, Münzen, Schlüsseln, Nägeln oder Schrauben auf, da diese eine Verbindung zwischen beiden Polen des Akkus herstellen können. Durch den dadurch entstehenden Kurzschluss kann der Akku in Brand geraten.
- ◆ Durch unsachgemäßen Gebrauch können Flüssigkeiten aus dem Akku austreten. Berühren Sie diese nicht! Sollten Sie dennoch unbeabsichtigt mit

diesen in Berührung kommen, waschen Sie die betroffenen Stellen sofort mit reichlich Wasser ab. Suchen Sie sofort einen Arzt auf, wenn die Flüssigkeit in Kontakt mit Ihren Augen gekommen ist. Aus Akkus austretende Flüssigkeiten können Reizungen oder Verbrennungen hervorrufen.

Nach dem Gebrauch

- ◆ Bewahren Sie das Gerät bei Nichtgebrauch an einem trockenen, gut belüfteten Ort außerhalb der Reichweite von Kindern auf.
- ◆ Kinder sollten keinen Zugang zu aufbewahrten Geräten haben.
- ◆ Wenn das Gerät in einem Fahrzeug transportiert oder gelagert wird, bewahren Sie es im Kofferraum oder einer geeigneten Ablage auf, damit es bei plötzlichen Geschwindigkeits- oder Richtungsänderungen nicht in Bewegung geraten kann.

Sicherheit anderer Personen

- ◆ Dieses Gerät darf nicht von Personen (einschließlich Kindern) mit eingeschränkten körperlichen, sensorischen oder geistigen Fähigkeiten oder mangelnder Erfahrung und Wissen in Bezug auf dessen Gebrauch bedient werden, es sei denn, sie werden bei der Verwendung des Geräts von einer erfahrenen Person beaufsichtigt oder angeleitet.
- ◆ Kinder müssen beaufsichtigt werden, um sicherzustellen, dass sie nicht mit dem Gerät spielen.

Service

Lassen Sie das Gerät nur von qualifiziertem Fachpersonal und nur mit Originalersatzteilen reparieren. So wird gewährleistet, dass die Sicherheit des Geräts erhalten bleibt.

Zusätzliche Sicherheitshinweise für Akkus und Ladegeräte

Akkus

- ◆ Auf keinen Fall öffnen.
- ◆ Achten Sie darauf, dass der Akku nicht mit Wasser in Berührung kommt.
- ◆ Setzen Sie den Akku keinen hohen Temperaturen aus.
- ◆ Nicht bei Temperaturen über 40° C lagern.
- ◆ Laden Sie den Akku ausschließlich bei Umgebungstemperaturen zwischen 10° C und 40° C.
- ◆ Verwenden Sie ausschließlich das mit dem Gerät gelieferte Ladegerät. Das Verwenden des falschen Ladegeräts kann zu einem Stromschlag oder dem Überhitzen des Akkus führen.
- ◆ Bei der Entsorgung von Akkus oder Batterien die Hinweise im Abschnitt „Umweltschutz“ beachten.

- ◆ Der Akku darf nicht durch mechanische Krafteinwirkung oder Belastungen beschädigt oder verformt werden. Andernfalls besteht Verletzungs- und Brandgefahr.
- ◆ Laden Sie beschädigte Akkus nicht auf.
- ◆ Unter extremen Bedingungen können Akkus undicht werden. Wenn Sie feststellen, dass aus dem Akku Flüssigkeit austritt, wischen Sie diese vorsichtig mit einem Tuch ab. Vermeiden Sie Hautkontakt.
- ◆ Beachten Sie nach Haut- oder Augenkontakt die folgenden Hinweise.

Achtung! Batteriesäure kann Sach- oder Personenschäden verursachen. Spülen Sie die Säure nach Hautkontakt sofort mit Wasser ab. Suchen Sie einen Arzt auf, wenn sich auf der Haut Rötungen, Reizungen oder andere Irritationen zeigen. Spülen Sie das Auge nach Augenkontakt sofort mit sauberem Wasser aus, und suchen Sie einen Arzt auf.

Ladegeräte

Das Ladegerät ist für eine bestimmte Spannung ausgelegt. Stellen Sie sicher, dass die Netzspannung der auf dem Typenschild des Geräts angegebenen Spannung entspricht.

Achtung! Ersetzen Sie das Ladegerät keinesfalls durch ein normales Netzkabel.

- ◆ Verwenden Sie das Black & Decker Ladegerät nur für den Akku des Geräts, mit dem es geliefert wurde. Andere Akkus könnten platzen und Sachschäden oder Verletzungen verursachen.
- ◆ Versuchen Sie keinesfalls, nicht aufladbare Batterien zu laden.
- ◆ Ist das Netzkabel beschädigt, muss es durch den Hersteller oder eine Black & Decker Vertragswerkstatt ausgetauscht werden, um eine mögliche Gefährdung zu vermeiden.
- ◆ Achten Sie darauf, dass das Ladegerät nicht mit Wasser in Berührung kommt.
- ◆ Versuchen Sie nicht, das Ladegerät zu öffnen.
- ◆ Nehmen Sie am Ladegerät keine Veränderungen vor.

Während das Gerät/der Akku geladen wird, muss auf ausreichende Belüftung geachtet werden.

Elektrische Sicherheit



Das Ladegerät ist schutzisoliert, daher ist keine Erdleitung erforderlich. Stellen Sie sicher, dass die Netzspannung der auf dem Typenschild des Geräts angegebenen Spannung entspricht.

Ist das Netzkabel beschädigt, muss es durch den Hersteller oder eine Black & Decker Vertragswerkstatt ausgetauscht werden, um eine mögliche Gefährdung zu vermeiden.

Achtung! Ersetzen Sie das Ladegerät keinesfalls durch ein normales Netzkabel.

Symbole an der Ladestation



Die Ladestation ist schutzisoliert, daher ist keine Erdleitung erforderlich.



Sicherheitstrenntrafo. Der Trafoausgang ist elektrisch von der Netzstromversorgung getrennt.



Die Ladestation darf nur im Innenbereich verwendet werden.

Merkmale

1. Staubbehälter
2. Entriegelungstaste des Staubbehälters
3. Verriegelungstaste der Gelenkarretierung
4. Ein-/Ausshalter
5. Behälterklappe
6. Entriegelung der Behälterklappe
7. Ladestation
8. Ausklappbare Bürste
9. Staubbehälterverlängerung

Montage

Einstellen des Staubbehälters (Abb. A - C)

Der Staubbehälter (1) verfügt über eine Bürste, die zum Saugen und Reinigen von Polstermöbeln nach vorne geklappt werden kann.

- ◆ Der Staubbehälter (1) wird an der Unterseite des Geräts verstaut. Zum Einstellen des Staubbehälters heben Sie das Gerät aus der Ladestation (7).
- ◆ Drücken Sie die Verriegelungstaste der Gelenkarretierung (3), und drehen Sie den Staubbehälter (1) in die gewünschte Position.
- ◆ Lassen Sie die Verriegelungstaste der Gelenkarretierung (3) los, um den Staubbehälter in dieser Stellung zu arretieren.
- ◆ Der Staubbehälter kann verlängert werden. Ziehen Sie hierzu die Staubbehälterverlängerung (9) heraus, bis diese einrastet.
- ◆ Wenn Sie die Verlängerung nicht mehr benötigen, drücken Sie die Taste (10) und schieben die Verlängerung in den Staubbehälter zurück.
- ◆ Nach dem Gebrauch des Geräts und während des Ladevorgangs sollte der Staubbehälter wieder an der Aufbewahrungsposition unter dem Gerät verstaut werden.

Restrisiken

Für den Gebrauch dieses Geräts verbleiben zusätzliche Restrisiken, die möglicherweise nicht in den Sicherheitswarnungen genannt werden. Diese Risiken bestehen beispielsweise bei Missbrauch oder längerem Gebrauch.

Auch bei der Einhaltung der entsprechenden Sicherheitsvorschriften und der Verwendung aller Sicherheitsgeräte bestehen weiterhin bestimmte Restrisiken. Diese werden im Folgenden aufgeführt:

- ◆ Verletzungen, die durch das Berühren von sich drehenden/bewegenden Teilen verursacht werden.
- ◆ Verletzungen, die durch das Austauschen von Teilen, Messern oder Zubehör verursacht werden.
- ◆ Verletzungen, die durch längeren Gebrauch eines Geräts verursacht werden. Legen Sie bei längerem Gebrauch regelmäßige Pausen ein.
- ◆ Beeinträchtigung des Gehörs.
- ◆ Gesundheitsrisiken durch das Einatmen von Staub beim Gebrauch des Geräts (Beispielsweise bei Holzarbeiten, insbesondere Eiche, Buche und Pressspan).

Gebrauch

- ◆ Vor der erstmaligen Verwendung des Geräts muss der Akku mindestens 24 Stunden lang aufgeladen werden.
- ◆ Setzen Sie das Gerät in die Ladestation ein, wenn Sie es nicht verwenden.

Laden des Akkus (Abb. D)

- ◆ Vergewissern Sie sich, dass das Gerät ausgeschaltet ist. Wenn sich der Ein-/Ausschalter (4) in der Stellung „Ein“ befindet, wird der Akku nicht geladen.
- ◆ Setzen Sie das Gerät wie in der Abbildung gezeigt in die Ladestation (7) ein.
- ◆ Schließen Sie das Ladegerät an eine Netzsteckdose an. Schalten Sie ggf. die Netzstromversorgung ein.

Die Ladeanzeige leuchtet.

- ◆ Warten Sie mindestens 24 Stunden, damit der Akku vollständig aufgeladen wird.

Das Ladegerät kann sich während des Aufladens erwärmen. Dies ist normal und deutet nicht auf ein Problem hin. Das Ladegerät kann beliebig lange am Gerät angeschlossen bleiben. Die Ladeanzeige leuchtet so lange, wie das Gerät an das in die Netzsteckdose eingesteckte Ladegerät angeschlossen ist.

Achtung! Laden Sie den Akku nicht, wenn die Umgebungstemperatur unter 4° C oder über 40° C liegt.

Ein- und Ausschalten (Abb. E)

- ◆ Schieben Sie den Ein-/Ausschalter (4) nach vorne in die Stellung **I**, um das Gerät einzuschalten.
- ◆ Schieben Sie den Ein-/Ausschalter (4) zurück in die Stellung **0**, um das Gerät auszuschalten.

Optimieren der Saugkraft (Abb. G - I)

Damit das Gerät stets die bestmögliche Saugkraft erzeugt, müssen die Filter während des Gebrauchs regelmäßig gereinigt werden.

- ◆ Drücken Sie die Entriegelung (6), und öffnen Sie die Behälterklappe (5) (Abb. F).
- ◆ Leeren Sie den Staubbehälter.

Reinigung und Pflege

Durch das Drehen des Behälters (Abb. A) wird der Staub aus dem Filter entfernt. Der Behälter muss jedoch regelmäßig durch Entfernen der Filter gereinigt werden (Abb. J).

Achtung! Reinigen Sie die Filter (12 und 13) in regelmäßigen Abständen.

Reinigen des Staubbehälters und der Filter (Abb. G - K)

Der Behälter kann auf zwei Arten gereinigt werden, Schnellentleerung und gründliche Reinigung. Gehen Sie für die Schnellentleerung gemäß den folgenden Anweisungen vor.

Die Filter sind wieder verwendbar und sollten regelmäßig gereinigt werden.

- ◆ Drücken Sie die Entriegelung (6), und öffnen Sie die Behälterklappe (5) (Abb. F).
- ◆ Leeren Sie den Staubbehälter (11).
- ◆ Schließen Sie die Staubbehälterklappe (5). Die Entriegelung (6) muss hörbar einrasten.

Gehen Sie für eine gründliche Reinigung des Behälters gemäß den folgenden Anweisungen vor.

Der Staubbehälter (11) ist durch einen Bajonettverschluss mit dem Gehäuse des Geräts verbunden. Der Staubbehälter lässt sich folgendermaßen entfernen:

- ◆ Drücken Sie die Entriegelungstaste des Staubbehälters (2), drehen Sie den Staubbehälter (11) entgegen dem Uhrzeigersinn, und ziehen Sie den Staubbehälter vorsichtig vom Gerät ab.
- ◆ Drehen Sie den Filterhaken (12) in die senkrechte Stellung (Abb. I).
- ◆ Verwenden Sie den Filterhaken (12), um den Filter (13) innerhalb des Vorfilters zu drehen (14), um den Staub aus dem Filter zu entfernen.
- ◆ Entfernen Sie den Hauptfilter (13).
- ◆ Entfernen Sie mit Hilfe einer Bürste losen Staub vom Filter (13).

Der Vorfilter (14) ist mit einem Bajonettverschluss angebracht. Gehen Sie zum Entfernen des Vorfilters folgendermaßen vor:

- ◆ Drehen Sie den Vorfilter (14) entgegen dem Uhrzeigersinn, und ziehen Sie den Vorfilter vorsichtig vom Staubbehälter ab.
- ◆ Bringen Sie den Vorfilter (14) im Staubbehälter (11) an, indem Sie den Vorfilter im Uhrzeigersinn drehen, bis dieser ordnungsgemäß einrastet.
- ◆ Bringen Sie den Hauptfilter (13) im Vorfilter (14) an.
- ◆ Bringen Sie den Staubbehälter (11) am Gerät an, indem Sie den Staubbehälter im Uhrzeigersinn drehen, bis dieser ordnungsgemäß einrastet.

Achtung! Betreiben Sie das Gerät nie ohne Filter. Die beste Reinigungswirkung erzielen Sie bei sauberen Filtern.

Ersetzen der Filter

Die Filter sollten alle 6 bis 9 Monate ersetzt werden, bei sichtbaren Verschleißspuren oder Beschädigungen auch früher. Ersatzfilter erhalten Sie im Black & Decker Fachhandel (Katalognr. VF90):

- ◆ Entfernen Sie die alten Filter wie oben beschrieben.
- ◆ Bringen Sie die neuen Filter wie oben beschrieben an.

Umweltschutz



Getrennte Entsorgung. Dieses Produkt darf keinesfalls mit dem Hausmüll entsorgt werden.

Sollten Sie Ihr Black & Decker Produkt eines Tages ersetzen oder nicht mehr benötigen, entsorgen Sie es nicht mit dem Hausmüll. Führen Sie das Produkt einer getrennten Sammlung zu.



Durch die getrennte Sammlung von ausgedienten Produkten und Verpackungsmaterialien können Rohstoffe recycelt und wiederverwendet werden. Die Wiederverwendung aufbereiteter Materialien trägt zur Vermeidung der Umweltverschmutzung bei und senkt den Rohstoffbedarf.

Die Verordnung zur Abfallentsorgung Ihrer Gemeinde sieht möglicherweise vor, dass Elektrogeräte getrennt vom Hausmüll gesammelt, an der örtlichen Abfallentsorgungseinrichtung abgegeben oder beim Kauf eines neuen Produkts vom Fachhandel zur Entsorgung angenommen werden müssen.

Black & Decker nimmt Ihre ausgedienten Black & Decker Geräte gern zurück und sorgt für eine umweltfreundliche Entsorgung bzw. Wiederverwertung. Um diese Dienstleistung in Anspruch zu nehmen, geben Sie das Gerät bitte bei einer autorisierten Reparaturwerkstatt ab, die für uns die Einsammlung übernimmt.

Bitte fragen Sie Ihre zuständige Black & Decker Niederlassung (Adresse in dieser Anleitung) nach einer Vertragswerkstatt in Ihrer Nähe. Außerdem ist eine Liste der Vertragswerkstätten und aller Kundendienststellen von Black Decker sowie der zuständigen Ansprechpartner im Internet zu finden unter: www.2helpU.com.

Technische Daten

	PV9625N - H1	PV1225NB - H1 PV1225NPM - H1
Spannung	Vdc 9,6	12
Gewicht	kg 1,52	1,58

	PV1425N - H1	PV1825N - H1
Spannung	Vdc 14,4	18
Gewicht	kg 1,66	1,76

Ladegerät	CHA002014B/G
Eingangsspannung	Vac 100-240
Ausgangsspannung	Vdc 7,2-24
Ausgangsstrom	mA 85
Ungefähre Dauer des Ladevorgangs	Std. 21
Gewicht	kg 0,18

Schalldruckpegel gemäß
EN 60704-1: = 75 dB(A)

Garantie

Black & Decker vertraut auf die Qualität der eigenen Geräte und bietet dem Käufer eine außergewöhnliche Garantie. Diese Garantiezusage versteht sich unbeschadet der gesetzlichen Gewährleistungsansprüche und schränkt diese keinesfalls ein. Sie gilt in sämtlichen Mitgliedstaaten der Europäischen Union und der Europäischen Freihandelszone EFTA.

Tritt innerhalb von 24 Monaten ab Kaufdatum an einem Gerät von Black & Decker ein auf Material- oder Verarbeitungsfehler bzw. auf Nichterfüllung von Normen zurückzuführender Mangel auf, garantiert Black & Decker den Austausch defekter Teile, die Reparatur von Geräten mit üblichem Verschleiß bzw. den Austausch eines mangelhaften Geräts, ohne dass dem Kunden dabei mehr als unvermeidlich Unannehmlichkeiten entstehen, allerdings vorbehaltlich folgender Ausnahmen:

- ◆ wenn das Gerät gewerblich, beruflich oder im Verleihgeschäft verwendet wurde;

- ◆ wenn das Gerät missbräuchlich verwendet oder mit mangelnder Sorgfalt behandelt wurde;
- ◆ wenn das Gerät durch Fremdeinwirkung beschädigt wurde;
- ◆ wenn ein unbefugter Reparaturversuch durch anderes Personal als das einer Vertragswerkstatt oder des Black & Decker Kundendienstes unternommen wurde.

Zur Inanspruchnahme dieser Garantie ist dem Verkäufer bzw. der Vertragswerkstatt ein Kaufnachweis vorzulegen.

Die Adresse der zuständigen Niederlassung von Black & Decker steht in dieser Anleitung. Dort teilt man Ihnen gerne die nächstgelegene Vertragswerkstatt mit. Außerdem ist eine Liste der Vertragswerkstätten und aller Kundendienststellen von Black & Decker sowie der zuständigen Ansprechpartner im Internet zu finden unter:

www.2helpU.com

Bitte besuchen Sie unsere Website

www.blackanddecker.de, um Ihr neues Black & Decker Produkt zu registrieren. Dort erhalten Sie auch Informationen über neue Produkte und Sonderangebote. Weitere Informationen über die Marke Black & Decker und unsere Produkte finden Sie unter **www.blackanddecker.de**.

Utilisation

Votre aspirateur portable Dustbuster Black & Decker® est conçu pour les petits travaux de nettoyage. Il est destiné à une utilisation exclusivement domestique.

Consignes de sécurité concernant ce genre d'appareil



Attention ! De simples précautions sont à prendre pour l'utilisation d'appareil sans fil ou branché à l'alimentation principale. Les conseils suivants doivent toujours être appliqués, ceci afin de réduire le risque d'incendie, les chocs électriques, les blessures et les dommages matériels.

- ◆ Lisez attentivement et entièrement le manuel avant d'utiliser l'appareil.
- ◆ Ce manuel décrit la manière d'utiliser cet appareil. L'utilisation d'un accessoire ou d'une fixation, ou bien l'utilisation de cet appareil à d'autres fins que celles recommandées dans ce manuel d'instruction peut présenter un risque de blessures.

La notion « d'appareil » mentionnée dans les consignes de sécurité se rapporte à des appareils raccordés au secteur (avec câble de raccordement) ou alimenté par batterie.

Conservez tous les avertissements et instructions pour référence ultérieure.

Utilisation de votre appareil

Prenez toutes les précautions nécessaires pour utiliser l'appareil.

- ◆ Maintenez la zone de travail propre et bien éclairée. Un lieu de travail en désordre ou mal éclairé augmente le risque d'accidents.
- ◆ Utilisez cet appareil uniquement dans la journée ou avec un éclairage artificiel approprié.
- ◆ N'utilisez pas l'appareil dans un environnement présentant des risques d'explosion, ni en présence de liquides, gaz ou poussières inflammables.
- ◆ Ne laissez jamais les enfants ou toute autre personne ne connaissant pas ces instructions, utiliser l'appareil.
- ◆ Ne laissez pas les enfants ou les animaux s'approcher de la zone de travail ou toucher le fil électrique.
- ◆ Pendant l'utilisation d'un appareil, les enfants, les animaux et autres personnes doivent rester éloignés. En cas d'inattention, vous risquez de perdre le contrôle.
- ◆ Cet appareil ne doit pas être utilisé comme jouet.
- ◆ Ne plongez pas l'appareil dans l'eau.
- ◆ N'ouvrez pas le boîtier. Il n'y a aucune pièce réparable par l'utilisateur à l'intérieur.

Sécurité personnelle

- ◆ Restez vigilant, surveillez ce que vous faites. Faites preuve de bon sens quand vous utilisez un appareil. N'utilisez pas l'appareil lorsque vous êtes fatigué ou

après avoir consommé de l'alcool ainsi que des médicaments. Un moment d'inattention lors de l'utilisation de l'appareil peut entraîner de graves blessures.

- ◆ Si nécessaire, portez un équipement de protection. Selon le travail à effectuer, le port d'équipement de protection tels que des lunettes de protection, un masque anti-poussières, des chaussures de sécurité antidérapantes, un casque ou des protections auditives, réduit le risque de blessures.
- ◆ Évitez un démarrage imprévu. L'appareil doit être en position OFF (arrêt) avant d'effectuer le branchement à l'alimentation et/ou au bloc-batterie ou de le porter. Ne laissez pas votre doigt sur le bouton de commande en le transportant. N'alimentez pas l'appareil si le bouton est activé. Ceci pourrait être à l'origine d'accident.
- ◆ Adoptez une position confortable. Adoptez une position stable et gardez votre équilibre en permanence. Vous contrôlerez mieux l'appareil dans des situations inattendues.
- ◆ Portez des vêtements appropriés. Ne portez pas de vêtements amples ou de bijoux. N'approchez pas les cheveux, vêtements ou gants des parties des pièces mobiles. Les vêtements amples, les bijoux ou les cheveux longs peuvent s'accrocher dans les pièces en mouvement.

Utilisation des appareils et précautions

- ◆ Avant l'utilisation, vérifiez si l'appareil est en bon état ou si aucune pièce ne manque. Recherchez des pièces cassées, des boutons endommagés et d'autres anomalies susceptibles de nuire au bon fonctionnement de l'appareil.
- ◆ N'utilisez pas l'appareil si la commande marche/arrêt est défectueuse. Un appareil qui ne peut plus être mis en marche/arrêt présente un danger et doit être réparé.
- ◆ Retirez la prise de courant et/ou débranchez le bloc-batterie avant d'effectuer des réglages, de changer les accessoires ou de ranger l'appareil. Cette mesure de précaution permet d'éviter une mise en marche involontaire.
- ◆ Le cas échéant, maintenez les outils de coupe aiguisés et propres. Des outils soigneusement entretenus avec des bords tranchants bien aiguisés se coincent moins souvent et peuvent être guidés plus facilement.
- ◆ N'utilisez pas l'appareil si une pièce est endommagée ou défectueuse.
- ◆ Faites réparer ou remplacer les pièces défectueuses ou endommagées par un réparateur agréé.
- ◆ Ne tentez jamais de retirer ou de remplacer des pièces autres que celles citées dans ce manuel.

Sécurité électrique

- ◆ Les prises de l'appareil doivent être adaptées à la prise de courant. Ne modifiez en aucun cas la prise. N'utilisez pas de prises d'adaptateur avec des appareils ayant une prise de terre. Le respect de ces consignes réduit le risque de choc électrique.
- ◆ N'exposez pas l'appareil à la pluie ni à l'humidité. La pénétration d'eau augmente le risque de choc électrique.
- ◆ Préservez le câble d'alimentation. N'utilisez pas le câble pour porter l'appareil, pour l'accrocher. Ne le tirez pas pour le débrancher. Maintenez le câble éloigné des sources de chaleurs, des parties huilées, des bords tranchants ou des pièces en rotation. Le risque de choc électrique augmente si les câbles sont endommagés ou emmêlés.
- ◆ en utilisant l'appareil à l'extérieur, utilisez une rallonge homologuée pour une utilisation à l'extérieur. L'utilisation d'une rallonge électrique homologuée pour les travaux à l'extérieur réduit le risque de choc électrique.
- ◆ Si l'appareil doit être utilisé dans un endroit humide, prenez les précautions nécessaires en utilisant un dispositif à courant résiduel (RCD). L'utilisation d'un tel dispositif réduit les risques d'électrocution.

Utilisation de la batterie et précautions (appareil sans fil uniquement)

- ◆ Ne rechargez qu'avec le chargeur proposé par le fabricant. Un chargeur destiné à un type de bloc-batteries risque de provoquer des incendies s'il est utilisé avec un bloc-batteries différent.
- ◆ N'utilisez les appareils qu'avec le bloc-batterie approprié. L'utilisation d'un autre bloc-batteries peut provoquer des blessures ou être à l'origine d'un feu.
- ◆ Quand le bloc-batterie n'est pas utilisé, éloignez-le d'objets en métal comme des agrafes, des pièces, des clés, des clous, des vis ou autres petits objets qui pourraient établir une connexion d'une borne à l'autre. Un tel court-circuit peut être à l'origine d'un feu ou de brûlures.
- ◆ En cas d'utilisation excessive, le liquide peut sortir de la batterie; évitez tout contact. Si vous n'avez pu éviter le contact, rincez à l'eau. En cas de contact avec les yeux, consultez un médecin. Le liquide sortant des batteries peut causer des irritations ou des brûlures.

Après l'utilisation

- ◆ Quand il n'est pas utilisé, l'appareil doit être rangé dans un endroit suffisamment aéré, sec et hors de portée des enfants.
- ◆ Les enfants ne doivent pas avoir accès aux appareils rangés.

- ◆ Quand l'appareil est rangé ou transporté dans un véhicule, il doit être installé dans le coffre ou correctement calé pour éviter les mouvements dus aux changements de direction ou de vitesse.

Sécurité des personnes

- ◆ Cet appareil ne peut être utilisé par des personnes (y compris des enfants) ayant des capacités mentales, sensorielles ou physiques réduites, ou celles manquant d'expérience et de connaissances, à moins qu'elles ne soient encadrées ou qu'elles n'aient été formées à l'utilisation de l'appareil par une personne responsable de leur sécurité.
- ◆ Ne laissez jamais les enfants sans surveillance pour éviter qu'ils ne jouent avec cet appareil.

Réparations

Faites réparer votre appareil uniquement par du personnel qualifié et seulement avec des pièces de rechange appropriées. Cela garantira le maintien de la sécurité de votre appareil.

Consignes de sécurité supplémentaires – batteries et chargeurs

Batteries

- ◆ En aucun cas, n'essayez d'ouvrir l'appareil.
- ◆ Ne mettez pas la batterie en contact avec l'eau.
- ◆ N'approchez pas la batterie d'une source de chaleur.
- ◆ Ne le rangez pas dans des endroits où la température peut dépasser 40 °C.
- ◆ Ne chargez qu'à température ambiante comprise entre 10 °C et 40 °C.
- ◆ N'utilisez que le chargeur fournis avec l'appareil/outil. Le non respect de cette consigne pourrait entraîner un électrotraumatisme ou une surchauffe de la batterie.
- ◆ Pour la mise au rebut des batteries, suivez les instructions données dans la section "Protection de l'environnement".
- ◆ Ne déformez/n'endommagez pas le bloc batterie en le perçant ou en le cognant, ceci pourrait entraîner des blessures et un incendie.
- ◆ Ne chargez pas les batteries endommagées.
- ◆ Dans des conditions extrêmes, une batterie peut couler. Si vous détectez une fuite, utilisez un chiffon pour essuyer le liquide avec précaution. Évitez tout contact avec la peau.
- ◆ En cas de contact avec la peau ou les yeux, suivez les instructions ci-dessous.

Attention ! Le liquide de batterie peut provoquer des blessures ou des dommages. En cas de contact avec la peau, rincez immédiatement à l'eau. Si des rougeurs, une douleur ou une irritation se produisent, consultez un

médecin. En cas de contact avec les yeux, rincez à l'eau et consultez immédiatement un médecin.

Chargeurs

Votre chargeur doit être utilisé avec une tension spécifique. Vérifiez toujours si la tension indiquée sur la plaque signalétique de l'appareil correspond à la tension de secteur.

Attention ! N'essayez jamais de remplacer le chargeur par une prise secteur.

- ◆ N'utilisez votre chargeur Black & Decker que pour charger la batterie fournie avec l'appareil/outil. D'autres batteries pourraient exploser, provoquant des blessures et des dommages.
- ◆ Ne tentez jamais de recharger des batteries non rechargeables.
- ◆ Si le câble d'alimentation est endommagé, il doit être remplacé par le fabricant ou par un centre de réparation agréé Black & Decker pour éviter tout risque.
- ◆ Ne mettez pas le chargeur en contact avec l'eau.
- ◆ N'ouvrez pas le chargeur.
- ◆ Ne testez pas le chargeur.

Pour le rechargement, placez l'appareil/outil/batterie dans un endroit correctement aéré.

Sécurité électrique



Votre chargeur est doublement isolé. Par conséquent, aucun câble de terre n'est nécessaire. Vérifiez toujours si la tension indiquée sur la plaque signalétique de l'appareil correspond à la tension de secteur.

Si le câble d'alimentation est endommagé, il doit être remplacé par le fabricant ou par un centre de réparation agréé Black & Decker pour éviter tout risque.

Attention ! N'essayez jamais de remplacer le chargeur par une prise secteur.

Symboles sur le support de charge



Votre support de charge est doublement isolé, par conséquent, aucun câble de masse n'est nécessaire.



Transformateur avec isolation de sécurité. L'alimentation secteur est électriquement indépendante de la sortie du transformateur.



Le support de charge ne peut être utilisé qu'à l'intérieur.

Caractéristiques

1. Collecteur de poussière
2. Bouton de dégagement du collecteur de poussière
3. Bouton de pivotement
4. Bouton marche/arrêt
5. Couvercle du collecteur
6. Système de verrouillage du couvercle du collecteur
7. Support de charge
8. Brosse rétractable
9. Extension du collecteur de poussière

Assemblage

Ajustement du collecteur de poussière (figures A - C)

Le collecteur de poussière (1) a une brosse qui peut se replier vers l'avant pour aspirer la poussière et nettoyer les tissus d'ameublement.

- ◆ Le collecteur de poussière (1) est rangé sous l'appareil. Pour l'utiliser, soulevez l'appareil du support de charge (7).
- ◆ Appuyez sur le bouton de pivotement (3) et tournez le collecteur de poussière (1) dans la position désirée.
- ◆ Relâchez le bouton de pivotement (3) pour enclencher le collecteur de poussière.
- ◆ Le collecteur de poussière peut être rallongé en tirant l'extension (9) jusqu'à l'enclenchement.
- ◆ Pour rétracter l'extension, il suffit de la repousser dans le collecteur de poussière en appuyant sur le bouton (10).
- ◆ Le collecteur de poussière doit être rangé sous l'appareil après l'utilisation ou quand celui-ci est en charge.

Risques résiduels

L'utilisation d'un outil non mentionné dans les consignes de sécurité données peut entraîner des risques résiduels supplémentaires. Ces risques peuvent survenir si l'outil est mal utilisé, si l'utilisation est prolongée, etc.

Malgré l'application des normes de sécurité correspondantes et la présence de dispositifs de sécurité, les risques résiduels suivants ne peuvent être évités. Ceci comprend :

- ◆ Les blessures dues au contact avec une pièce mobile/ en rotation.
- ◆ Les blessures causées en changeant des pièces, lames ou accessoires.
- ◆ Les blessures dues à l'utilisation prolongée d'un outil. Une utilisation prolongée de l'outil nécessite des pauses régulières.
- ◆ Déficience auditive.

- ◆ Risques pour la santé causés par l'inhalation de poussières produites pendant l'utilisation de l'outil (exemple : travail avec du bois, surtout le chêne, le hêtre et les panneaux en MDF).

Utilisation

- ◆ Avant la première utilisation, la batterie doit être chargée pendant au moins 24 heures.
- ◆ Placez l'appareil sur le support de charge dès qu'il n'est pas utilisé.

Charge de la batterie (figure D)

- ◆ Assurez-vous que l'appareil est débranché. La batterie ne se recharge pas si le bouton marche/arrêt (4) est en position de marche.
- ◆ Placez l'appareil sur le support de charge (7), comme indiqué.
- ◆ Branchez le chargeur. Branchez au secteur.

Le témoin de charge clignote.

- ◆ Laissez l'appareil en charge pendant au moins 24 heures.

Pendant le chargement, le chargeur peut chauffer. Ceci est un phénomène normal qui ne présente aucun problème. L'appareil peut rester branché au chargeur en permanence. Le témoin de charge clignote aussi longtemps que l'appareil est branché au chargeur.

Attention ! Ne chargez pas la batterie si la température ambiante est inférieure à 4 °C ou supérieure à 40 °C.

Mise en marche et arrêt (figure E)

- ◆ Pour mettre l'appareil en marche, glissez le bouton marche/arrêt (4) en position I.
- ◆ Pour arrêter l'appareil, glissez le bouton marche/arrêt (4) en position 0.

Force d'aspiration maximale (figures G - I)

Pour garder la force d'aspiration maximale, les filtres doivent être nettoyés régulièrement.

- ◆ Appuyez sur le système de verrouillage (6) et ouvrez le couvercle du collecteur (5) (figure F).
- ◆ Videz la poussière.

Nettoyage et entretien

Le collecteur en tournant (figure A) élimine la poussière du filtre. Il est important de vider régulièrement le collecteur en retirant les filtres (figure J).

Attention ! Nettoyez régulièrement les filtres (12 et 13).

Nettoyage du collecteur de poussière et des filtres (figures G - K)

Il existe deux méthodes de nettoyage du collecteur, une méthode rapide et une méthode de nettoyage complet. Pour la méthode rapide, utilisez les instructions suivantes.

Les filtres sont réutilisables et doivent être nettoyés régulièrement.

- ◆ Appuyez sur le système de verrouillage (6) et ouvrez le couvercle du collecteur (5) (figure F).
- ◆ Videz le collecteur de poussière (11).
- ◆ Fermez le couvercle du collecteur (5). Enclenchez bien le système de verrouillage (6).

Pour la méthode de nettoyage complet, utilisez les instructions suivantes.

Le collecteur de poussière (11) est fixé à l'appareil avec un ergot. Pour éliminer la poussière :

- ◆ Appuyez sur le bouton de dégagement du collecteur de poussière (2) et tournez le collecteur de poussière (11) dans le sens inverse des aiguilles d'une montre. Sortez avec précaution le collecteur de poussière en le glissant.
- ◆ Mettez le crochet du filtre (12) en position verticale (figure I).
- ◆ Utilisez le crochet du filtre (12) pour faire tourner le filtre (13) dans le pré-filtre (14) afin de le secouer et de retirer la poussière.
- ◆ Retirez le filtre principal (13).
- ◆ Brossez la poussière déposée sur le filtre (13).

Le pré-filtre (14) est fixé à l'appareil avec un ergot. Pour retirer le pré-filtre :

- ◆ Tournez le pré-filtre (14) en le tournant dans le sens inverse des aiguilles d'une montre. Sortez-le avec précaution pour éliminer la poussière du collecteur de poussière.
- ◆ Installez le pré-filtre (14) dans le collecteur de poussière (11) et tournez-le dans le sens des aiguilles d'une montre pour le bloquer.
- ◆ Installez le filtre principal (13) dans le pré-filtre (14).
- ◆ Installez le collecteur de poussière (11) sur l'appareil et tournez-le dans le sens des aiguilles d'une montre pour le bloquer.

Attention ! N'utilisez jamais l'appareil sans les filtres. Pour récupérer le maximum de poussière, les filtres doivent être propres.

Remplacement des filtres

Les filtres doivent être remplacés tous les 6 à 9 mois et chaque fois qu'ils sont usés ou endommagés. Vous trouverez des filtres de rechange chez votre revendeur Black & Decker (cat. n° VF90) :

- ◆ Retirez les filtres usés, comme décrit ci-dessus.
- ◆ Installez les filtres neufs, comme décrit ci-dessus.

Protection de l'environnement



Recyclage. Cet appareil ne doit pas être jeté avec les déchets ménagers.

Si votre appareil/outil Black & Decker doit être remplacé ou si vous ne l'utilisez plus, ne le jetez pas avec les ordures ménagères. Songez à la protection de l'environnement et recyclez-le.



La collecte séparée des produits et des emballages usagés permet de recycler et de réutiliser des matériaux. La réutilisation de matériaux recyclés évite la pollution de l'environnement et réduit la demande de matières premières.

Des réglementations locales peuvent stipuler la collecte séparée des produits électriques et des produits ménagers, dans des déchetteries municipales ou par le revendeur lorsque vous achetez un nouveau produit.

Black & Decker offre une solution permettant de recycler les produits Black & Decker lorsqu'ils ont atteint la fin de leur cycle de vie. Pour pouvoir profiter de ce service, veuillez retourner votre produit à un réparateur agréé qui se chargera de le collecter pour nous.

Pour connaître l'adresse du réparateur agréé le plus proche de chez vous, contactez le bureau Black & Decker à l'adresse indiquée dans ce manuel. Vous pourrez aussi trouver une liste de réparateurs agréés de Black & Decker et de plus amples détails sur notre service après-vente sur le site Internet à l'adresse suivante : **www.2helpU.com**.

Caractéristiques techniques

	PV9625N - H1	PV1225NB - H1 PV1225NPM - H1
Tension	Vcc 9,6	12
Poids	kg 1,52	1,58

	PV1425N - H1	PV1825N - H1
Tension	Vcc 14,4	18
Poids	kg 1,66	1,76

Chargeur	CHA002014B/G
Tension d'entrée	Vca 100-240
Tension de sortie	Vcc 7,2-24
Courant de sortie	mA 85
Durée approximative de charge	h 21
Poids	kg 0,18

Niveau de pression sonore selon la norme
to EN 60704-1 : = 75 dB(A)

Garantie

Black & Decker assure la qualité de ses produits et vous offre une garantie très élargie. Ce certificat de garantie est un document supplémentaire et ne peut en aucun cas se substituer à vos droits légaux. La garantie est valable sur tout le territoire des États Membres de l'Union Européenne et de la Zone de Libre Échange Européenne.

Si un produit Black & Decker s'avère défectueux en raison de matériaux en mauvais état, d'une erreur humaine ou d'un manque de conformité dans les 24 mois suivant la date d'achat, Black & Decker garantit le remplacement des pièces défectueuses, la réparation des produits usés ou cassés ou remplace ces produits à la convenance du client, sauf dans les circonstances suivantes :

- ◆ Le produit a été utilisé dans un but commercial, professionnel ou a été loué.
- ◆ Le produit a été mal utilisé ou mal entretenu.
- ◆ Le produit a subi des dommages à cause de corps étrangers, de substances ou d'accidents.
- ◆ Des réparations ont été tentées par des techniciens ne faisant pas partie du service technique de Black & Decker.

Pour avoir recours à la garantie, il est nécessaire de fournir une preuve d'achat au vendeur ou à un réparateur agréé. Pour connaître l'adresse du réparateur agréé le plus proche de chez vous, contactez le bureau Black & Decker à l'adresse indiquée dans ce manuel. Vous pourrez aussi trouver une liste de réparateurs agréés de Black & Decker et de plus amples détails sur notre service après-vente sur le site Internet à l'adresse suivante : **www.2helpU.com**

Visitez notre site Web **www.blackanddecker.fr** pour enregistrer votre nouveau produit Black & Decker et être informé des nouveaux produits et des offres spéciales. Pour plus d'informations concernant la marque Black & Decker et notre gamme de produits, consultez notre site **www.blackanddecker.fr**.

Uso previsto

L'aspirapolvere portatile Black & Decker Dustbuster® è stato progettato per la pulizia leggera e a secco.

L'elettrodomestico è stato progettato solo per uso domestico.

Avvisi di sicurezza generici per l'elettrodomestico



Attenzione! Quando si usano elettrodomestici alimentati elettricamente o senza fili, osservare sempre le normali precauzioni di sicurezza per ridurre il rischio di incendio, scosse elettriche, lesioni personali e danni materiali.

- ◆ Leggere attentamente il presente manuale prima di usare l'elettrodomestico.
- ◆ L'uso previsto è descritto nel presente manuale. Se questo elettrodomestico viene usato con accessori o per usi diversi da quelli raccomandati nel presente manuale d'uso, si potrebbero verificare lesioni personali.

Il termine "elettrodomestico" che ricorre in tutti gli avvisi seguenti si riferisce a utensili elettrici alimentati dalla rete (con filo) o a batteria (senza filo).

Conservare tutte le istruzioni e gli avvisi per futura consultazione.

Utilizzo dell'elettrodomestico

Prestare sempre attenzione quando si usa l'elettrodomestico.

- ◆ Tenere l'area di lavoro pulita e ben illuminata. Disordine o scarsa illuminazione possono causare incidenti.
- ◆ Usare l'elettrodomestico solo alla luce del giorno o con una buona luce artificiale.
- ◆ Evitare d'impiegare questo apparecchio in ambienti esposti al rischio di esplosione, ad esempio in presenza di liquidi, gas o polveri infiammabili.
- ◆ Vietare l'uso dell'elettrodomestico a bambini e ad adulti che non abbiano letto il presente manuale.
- ◆ Vietare a bambini o ad animali di avvicinarsi all'area di lavoro o di toccare l'elettrodomestico o il filo di alimentazione.
- ◆ Mantenere lontani bambini e astanti mentre si usa l'elettrodomestico. Eventuali distrazioni possono comportare la perdita del controllo dell'elettrodomestico.
- ◆ Questo elettrodomestico non deve essere usato come un giocattolo.
- ◆ Non immergere l'elettrodomestico in acqua.
- ◆ Non aprire il corpo dell'elettrodomestico, dato che al suo interno non vi sono componenti riparabili.

Sicurezza delle persone

- ◆ È importante concentrarsi su ciò che si sta facendo e maneggiare con giudizio l'elettrodomestico. Non adoperare l'elettrodomestico se si è stanchi o sotto l'effetto di stupefacenti, alcol o medicinali. Un attimo di distrazione può causare gravi infortuni personali.
- ◆ Se richiesto, usare l'equipaggiamento protettivo personale. Se si avrà cura d'indossare l'equipaggiamento protettivo necessario, ad esempio occhiali di protezione, una maschera antipolvere, delle calzature antiscivolo, un casco o delle otoprotezioni, si ridurrà il rischio di infortuni.
- ◆ Impedire l'avviamento involontario. Accertarsi che l'interruttore di accensione sia regolato su spento prima di collegare l'elettrodomestico all'alimentazione elettrica e/o al battery pack, di prenderlo in mano o di trasportarlo. Per non esporsi al rischio di incidenti, non trasportare gli elettrodomestici tenendo le dita sull'interruttore e non collegarli a un'alimentazione elettrica con l'interruttore già acceso.
- ◆ Non sporgersi. Mantenere sempre un buon equilibrio evitando posizioni instabili. In questo modo è possibile controllare meglio l'elettrodomestico in situazioni inaspettate.
- ◆ Vestirsi adeguatamente. Evitare di indossare indumenti larghi o gioielli. Tenere capelli, capi di vestiario e guanti lontani da parti in movimento. Capi di vestiario larghi, gioielli o capelli lunghi potrebbero impigliarsi nei componenti in movimento.

Utilizzo e cura dell'elettrodomestico

- ◆ Prima dell'impiego, controllare che l'elettrodomestico non sia danneggiato e non presenti parti difettose. Controllare che non vi siano parti rotte, che gli interruttori non siano danneggiati e che non vi siano altre condizioni che potrebbero avere ripercussioni sulle prestazioni.
- ◆ Non usare l'elettrodomestico se l'interruttore di accensione non funziona correttamente. Un elettrodomestico che non può essere controllato mediante l'interruttore è pericoloso e deve essere riparato.
- ◆ Scollegare la spina dalla presa di corrente e/o il battery pack dall'elettrodomestico prima di regolarlo o di riparlo oppure di sostituire gli accessori. Queste precauzioni riducono la possibilità che l'elettrodomestico venga messo in funzione accidentalmente.
- ◆ Se pertinente, mantenere affilati e puliti gli strumenti da taglio. Se sottoposti alla giusta manutenzione, gli strumenti da taglio con taglienti affilati s'incepiscono meno frequentemente e sono più facili da manovrare.

- ◆ Non usare l'elettrodomestico se alcune parti sono danneggiate o difettose.
- ◆ Far riparare o sostituire le parti danneggiate o difettose da un tecnico autorizzato.
- ◆ Non tentare di smontare o sostituire qualsiasi parte ad eccezione di quelle specificate nel presente manuale.

Sicurezza elettrica

- ◆ Le spine elettriche dell'elettrodomestico devono essere adatte alle prese. Evitare assolutamente di modificare la spina elettrica. Non impiegare spine adattatrici con elettrodomestici provvisti di messa a terra. L'uso di spine inalterate e delle prese corrispondenti riduce il rischio di scosse elettriche.
- ◆ Custodire l'elettrodomestico al riparo dalla pioggia o dall'umidità. L'eventuale infiltrazione di acqua nell'elettrodomestico aumenta il rischio di scosse elettriche.
- ◆ Non esporre il cavo a sollecitazioni. Non usare il cavo per trasportare o trainare l'elettrodomestico e non tirarlo per estrarre la spina dalla presa di corrente. Mantenere il cavo al riparo da calore, olio, bordi taglienti e/o da parti in movimento. I cavi danneggiati o aggrovigliati aumentano il rischio di scosse elettriche.
- ◆ Se l'elettrodomestico viene adoperato all'aperto, usare esclusivamente prolunghie omologate per l'impiego all'esterno. Un cavo adatto per uso esterno riduce il rischio di scosse elettriche.
- ◆ Se non è possibile evitare di usare l'elettrodomestico in una zona umida, usare un'alimentazione elettrica protetta da un dispositivo a corrente residua (RCD). L'uso di un dispositivo RCD riduce il rischio di scosse elettriche.

Uso e cura degli elettrodomestici a batteria (solo elettrodomestici senza filo)

- ◆ Ricaricare solo usando l'alimentatore prescritto dal fabbricante. Un alimentatore idoneo a un determinato battery pack potrebbe essere causa di incendio se usato con un battery pack diverso.
- ◆ Usare gli elettrodomestici con gli appositi battery pack. L'impiego di battery pack di altro tipo potrebbe creare il rischio di lesioni e di incendi.
- ◆ Quando il battery pack non viene usato, tenerlo lontano da altri oggetti metallici tipo graffette, monete, chiavi, chiodi, viti o altri oggetti metallici di piccole dimensioni che potrebbero cortocircuitare un morsetto con l'altro. Se i morsetti della batteria vengono cortocircuitati si potrebbero causare ustioni o un incendio.
- ◆ A seguito di un uso improprio, la batteria potrebbe espellere del liquido; evitare ogni contatto. In caso di contatto accidentale, lavare con acqua. Se il liquido

viene a contatto degli occhi, rivolgersi anche a un medico. Il liquido espulso dalla batteria potrebbe causare irritazioni o ustioni.

Dopo l'impiego

- ◆ Quando non viene usato, l'elettrodomestico deve essere conservato in un luogo asciutto e ben ventilato, fuori dalla portata dei bambini.
- ◆ Gli elettrodomestici non devono essere riposti alla portata dei bambini.
- ◆ Se viene conservato o trasportato in un veicolo, l'apparecchio deve essere messo nel bagagliaio o legato per evitare che si sposti in caso di cambiamento repentino della velocità o della direzione di marcia.

Sicurezza altrui

- ◆ Questo elettrodomestico non è stato progettato per impiego da parte di persone (o bambini) portatrici di handicap fisici, psichici o sensoriali o che non abbiano la dovuta esperienza o conoscenza, a meno che non siano seguite o opportunamente istruite sul suo impiego da parte di una persona responsabile della loro sicurezza.
- ◆ Controllare che i bambini non giochino con l'elettrodomestico.

Riparazioni

Fare riparare l'elettrodomestico solo ed esclusivamente da personale specializzato e solo impiegando pezzi di ricambio originali, onde non alterarne la sicurezza.

Istruzioni di sicurezza aggiuntive per batterie e alimentatori

Batterie

- ◆ Non tentare di aprirle per qualsiasi ragione.
- ◆ Non lasciare che la batteria si bagni.
- ◆ Non esporre la batteria al calore.
- ◆ Non riporre in luoghi dove la temperatura potrebbe superare i 40°C.
- ◆ Caricare solo a temperature ambiente tra 10°C e 40°C.
- ◆ Caricare solo usando l'alimentatore fornito con l'apparecchio/elettrodomestico. L'utilizzo dell'alimentatore sbagliato potrebbe causare scosse elettriche o il surriscaldamento della batteria.
- ◆ Quando si smaltiscono le batterie, seguire le istruzioni riportate al capitolo "Protezione dell'ambiente".
- ◆ Non danneggiare/deformare il battery pack forandolo o colpendolo per evitare il rischio di lesioni o di incendio.
- ◆ Non caricare le batterie danneggiate.

- ◆ In condizioni estreme, si potrebbe verificare la perdita di liquido dalle batterie. Se si nota la presenza di liquido sulle batterie, pulirle con attenzione con uno straccio. Evitare il contatto con l'epidermide.
- ◆ In caso di contatto con l'epidermide o gli occhi, seguire le istruzioni riportate di seguito.

Attenzione! Il liquido della batteria può causare lesioni alle persone o danni alle cose. In caso di contatto con la pelle, risciacquare immediatamente con acqua. In caso di rossore, dolore o irritazione, rivolgersi immediatamente a un medico. In caso di contatto con gli occhi, risciacquarli immediatamente con acqua pulita e consultare un medico.

Alimentatori

L'alimentatore è stato progettato per una tensione specifica. Controllare sempre che la tensione di rete corrisponda alla tensione indicata sulla targhetta dei dati tecnici.

Attenzione! Non tentare mai di sostituire l'alimentatore con una normale spina elettrica.

- ◆ Usare l'alimentatore Black & Decker solo per caricare la batteria nell'apparecchio/elettrodomestico con il quale è stato fornito. Altre batterie potrebbero scoppiare causando lesioni alle persone e danni.
- ◆ Non tentare mai di caricare batterie non ricaricabili.
- ◆ In caso di danneggiamento del filo di alimentazione, è necessario farlo riparare dal fabbricante o presso un centro assistenza Black & Decker autorizzato in modo da evitare eventuali pericoli.
- ◆ Non lasciare che l'alimentatore si bagni.
- ◆ Non aprire l'alimentatore.
- ◆ Non collegare l'alimentatore a sonde.

L'apparecchio/elettrodomestico/batteria devono essere lasciati in una zona ben ventilata durante la carica.

Sicurezza elettrica



Il doppio isolamento di cui è provvisto l'alimentatore rende superfluo il filo di terra. Controllare sempre che la tensione di rete corrisponda alla tensione indicata sulla targhetta dei dati tecnici.

In caso di danneggiamento del filo di alimentazione, è necessario farlo riparare dal fabbricante o presso un centro assistenza Black & Decker autorizzato in modo da evitare eventuali pericoli.

Attenzione! Non tentare mai di sostituire l'alimentatore con una normale spina elettrica.

Simboli sulla base di ricarica



Il doppio isolamento di cui è provvista la base di carica rende superfluo il filo di terra.



Trasformatore di isolamento e sicurezza. L'alimentazione di rete è separata elettricamente dall'erogazione del trasformatore.



La base di carica può solo essere usata all'interno.

Caratteristiche

1. Bocchetta raccogli polvere
2. Pulsante di rilascio contenitore raccogli polvere
3. Pulsante di blocco snodo
4. Interruttore di accensione
5. Sportello contenitore
6. Dispositivo di apertura sportello contenitore
7. Base di carica
8. Spazzola a scomparsa
9. Prolunga bocchetta raccogli polvere

Montaggio

Regolazione della bocchetta raccogli polvere (figg. A - C)

La bocchetta raccogli polvere (1) è dotata di spazzola che può essere piegata in avanti per spolverare e pulire i rivestimenti.

- ◆ La bocchetta raccogli polvere (1) è incorporata sotto l'elettrodomestico. Per regolarla per l'impiego, sollevare l'elettrodomestico dalla base di carica (7).
- ◆ Premere il pulsante di blocco dello snodo (3) e ruotare la bocchetta raccogli polvere (1) nella posizione richiesta.
- ◆ Rilasciare il pulsante di blocco dello snodo (3) per fissare in sede la bocchetta raccogli polvere.
- ◆ La bocchetta raccogli polvere può essere allungata tirando la prolunga (9) fino a quando si aggancia in sede.
- ◆ La prolunga può essere fatta rientrare premendo il pulsante (10) e facendola rientrare nella bocchetta raccogli polvere.
- ◆ La bocchetta raccogli polvere deve essere fatta rientrare nella posizione normale sotto l'elettrodomestico dopo l'impiego e durante la carica.

Rischi residui

Altri rischi residui che possono sorgere durante l'impiego dell'elettrodomestico e che possono non essere stati contemplati dagli allegati avvisi di sicurezza. Tali rischi

possono sorgere a seguito di un uso prolungato o improprio, ecc.

Perfino adottando gli appositi regolamenti di sicurezza e utilizzando i dispositivi di sicurezza, certi rischi residui non possono essere evitati. Essi comprendono:

- ◆ Lesioni causate o subite a seguito del contatto con parti rotanti/in movimento.
- ◆ Lesioni causate o subite durante la sostituzione di parti, lame o accessori.
- ◆ Lesioni causate dall'impiego prolungato di un elettrodomestico. Quando si usa qualsiasi elettrodomestico per lunghi periodi, accertarsi di fare regolarmente delle pause.
- ◆ Problemi di udito.
- ◆ Rischi per la salute causati dall'aspirazione di polvere generata dall'utilizzo dell'elettrodomestico (ad esempio quando si lavora con il legno, in modo particolare quello di quercia, faggio o l'MDF).

Utilizzo

- ◆ Prima dell'impiego iniziale, caricare la batteria per almeno 24 ore.
- ◆ Appoggiare sempre l'elettrodomestico sulla base di carica quando non è utilizzato.

Carica della batteria (fig. D)

- ◆ Accertarsi che l'elettrodomestico sia spento. La batteria non si ricarica se l'interruttore di accensione (4) è regolato su acceso.
- ◆ Appoggiare l'elettrodomestico sulla base di carica (7) come illustrato.
- ◆ Collegare l'alimentatore. Accendere l'alimentazione di rete.

L'indicatore di carica si accende.

- ◆ Lasciare che l'elettrodomestico si carichi per almeno 24 ore.

Durante la carica, l'alimentatore potrebbe riscaldarsi. Si tratta di un fatto normale che non indica che vi è un problema. L'elettrodomestico può essere lasciato collegato indefinitamente all'alimentatore. L'indicatore di carica si accende se l'elettrodomestico è montato sull'alimentatore collegato a una presa elettrica.

Attenzione! Non caricare la batteria a temperature ambiente inferiori a 4°C o superiori a 40°C.

Accensione e spegnimento (fig. E)

- ◆ Per spegnere l'elettrodomestico, far scorrere in avanti l'interruttore di accensione (4) sulla posizione I.
- ◆ Per spegnere l'elettrodomestico, riportare l'interruttore di accensione (4) sulla posizione 0.

Massima forza aspirante (figg. G - I)

Per poter mantenere la massima forza aspirante, pulire regolarmente i filtri durante l'impiego.

- ◆ Premere il dispositivo di apertura (6) e aprire lo sportello del contenitore (5) (fig. F).
- ◆ Svuotare il contenitore raccogli-polvere.

Pulizia e manutenzione

La rotazione del contenitore (fig. A) consente di scuotere il filtro per eliminare la polvere. È comunque importante svuotare regolarmente il contenitore estraendo i filtri (fig. J).

Attenzione! Pulire regolarmente i filtri (12 e 13).

Pulizia del contenitore raccogli-polvere e dei filtri (figg. G - K)

La pulizia del contenitore può essere effettuata in due modi diversi: con il metodo di svuotamento rapido o con quello di pulizia accurata. Per eseguire lo svuotamento rapido, seguire le istruzioni riportate di seguito.

I filtri sono riutilizzabili e devono essere puliti regolarmente.

- ◆ Premere il dispositivo di apertura (6) e aprire lo sportello del contenitore (5) (fig. F).
- ◆ Svuotare il contenitore raccogli-polvere (11).
- ◆ Chiudere lo sportello del contenitore raccogli-polvere (5). Verificare che il dispositivo di apertura (6) si agganci in sede.

Per eseguire la pulizia a fondo del contenitore, basarsi sulle istruzioni riportate di seguito.

Il contenitore raccogli-polvere (11) è collegato al corpo dell'elettrodomestico mediante un attacco a baionetta; per staccarlo procedere come descritto di seguito.

- ◆ Premere il pulsante di rilascio del contenitore raccogli-polvere (2), ruotare il contenitore raccogli-polvere (11) in senso antiorario e sfilarlo dall'elettrodomestico.
- ◆ Ruotare il gancio del filtro (12) in posizione verticale (fig. I).
- ◆ Usare il gancio del filtro (12) per ruotare il filtro (13) all'interno del prefiltro (14) per scuoterlo ed eliminare così la polvere.
- ◆ Estrarre il filtro principale (13).
- ◆ Spazzolare via l'eventuale polvere presente sul filtro (13).

Il prefiltro (14) è fissato a mezzo attacco a baionetta; per staccarlo procedere come descritto di seguito.

- ◆ Ruotare il prefiltro (14) in senso antiorario ed estrarlo attentamente dal contenitore raccogli-polvere.
- ◆ Infilare il prefiltro (14) nel contenitore raccogli-polvere (11) ruotandolo in senso orario fino a quando si blocca in sede.

- ◆ Inserire il filtro principale (13) nel prefiltro (14).
- ◆ Infilare il contenitore raccogli-polvere (11) nell'elettrodomestico e ruotarlo in senso orario fino a quando si blocca in sede.

Attenzione! Non usare mai l'elettrodomestico senza i filtri. La raccolta ottimale della polvere si ottiene solo con i filtri puliti.

Sostituzione dei filtri

I filtri devono essere sostituiti ogni 6 - 9 mesi e quando sono usurati o danneggiati. I filtri di ricambio sono reperibili presso il rivenditore Black & Decker (n. cat. VF90).

- ◆ Estrarre i vecchi filtri come descritto in precedenza.
- ◆ Inserire i nuovi filtri come descritto qui sopra.

Protezione dell'ambiente



Raccolta differenziata. Questo prodotto non deve essere smaltito con i normali rifiuti domestici.

Nel caso in cui l'elettrodomestico Black & Decker debba essere sostituito o non sia più necessario, non smaltirlo con i normali rifiuti domestici. Metterlo da parte per la raccolta differenziata.



La raccolta differenziata dei prodotti e degli imballaggi utilizzati consente il riciclaggio dei materiali e il loro continuo utilizzo. Il riutilizzo dei materiali riciclati favorisce la protezione dell'ambiente prevenendo l'inquinamento e riduce il fabbisogno di materie prime.

Seguire la regolamentazione locale per la raccolta differenziata dei prodotti elettrici che può prevedere punti di raccolta o la consegna dell'elettrodomestico al rivenditore presso il quale viene acquistato un nuovo prodotto.

Black & Decker offre ai propri clienti la possibilità di riciclare i prodotti Black & Decker che hanno esaurito la loro vita di servizio. Per usufruire di tale servizio, è sufficiente restituire il prodotto a qualsiasi tecnico autorizzato, incaricato della raccolta per conto dell'azienda.

Per individuare il tecnico autorizzato più vicino, rivolgersi alla sede Black & Decker locale, presso il recapito indicato nel presente manuale. Altrimenti, un elenco completo di tutti i tecnici autorizzati Black & Decker e i dettagli completi sui contatti e i servizi post-vendita sono disponibili su Internet all'indirizzo: www.2helpU.com.

Dati tecnici

	PV9625N - H1	PV1225NB - H1 PV1225NPM - H1
Tensione	V c.c. 9,6	12
Peso	kg 1,52	1,58

	PV1425N - H1	PV1825N - H1
Tensione	V c.c. 14,4	18
Peso	kg 1,66	1,76

Alimentatore	CHA002014B/G
Tensione in ingresso	V c.a. 100-240
Tensione erogata	V c.c. 7,2-24
Corrente erogata	mA 85
Tempo di carica approssimativo	h 21
Peso	kg 0,18

Livello di pressione sonora misurato in base a EN 60704-1: = 75 dB(A)

Garanzia

Certa della qualità dei suoi prodotti, Black & Decker offre una garanzia eccezionale. Il presente certificato di garanzia è complementare ai diritti legali e non li pregiudica in alcun modo. La garanzia è valida entro il territorio degli Stati membri dell'Unione Europea e dell'EFTA (European Free Trade Area).

Se un prodotto Black & Decker risulta difettoso per qualità del materiale, della costruzione o per mancata conformità entro 24 mesi dalla data di acquisto, Black & Decker garantisce la sostituzione delle parti difettose, provvede alla riparazione dei prodotti se ragionevolmente usurati oppure alla loro sostituzione, in modo da ridurre al minimo il disagio del cliente a meno che:

- ◆ il prodotto non sia stato destinato a usi commerciali, professionali o al noleggio;
- ◆ il prodotto non sia stato usato in modo improprio o scorretto;
- ◆ il prodotto non abbia subito danni causati da oggetti o sostanze estranee oppure incidenti;
- ◆ il prodotto non abbia subito tentativi di riparazione non effettuati da tecnici autorizzati né dall'assistenza Black & Decker.

Per attivare la garanzia è necessario esibire la prova di acquisto al venditore o al tecnico autorizzato. Per individuare il tecnico autorizzato più vicino, rivolgersi alla sede Black & Decker locale, presso il recapito indicato nel presente manuale. Altrimenti, un elenco completo di tutti i tecnici autorizzati Black & Decker e i dettagli completi sui contatti e i servizi post-vendita sono disponibili su Internet all'indirizzo:

www.2helpU.com

I clienti che desiderano registrare il nuovo prodotto Black & Decker e ricevere gli aggiornamenti sui nuovi prodotti e le offerte speciali, sono invitati a visitare il sito Web **www.blackanddecker.it**. Ulteriori informazioni sul marchio e la gamma di prodotti Black & Decker sono disponibili all'indirizzo **www.blackanddecker.it**.

Beoogd gebruik

Deze Black & Decker Dustbuster® is ontworpen als handstofzuiger voor lichte, droge stofzuigwerkzaamheden. Het apparaat is uitsluitend bestemd voor huishoudelijk gebruik.

Algemene veiligheidswaarschuwingen voor apparaten



Waarschuwing! Bij apparaten voor gebruik op de netspanning/snoerloze apparaten moeten bepaalde elementaire voorzorgsmaatregelen, waaronder de navolgende, in acht worden genomen om het gevaar van brand, elektrische schokken, persoonlijk letsel en materiële schade tot een minimum te beperken.

- ◆ Lees deze handleiding zorgvuldig door voordat u het apparaat in gebruik neemt.
- ◆ In deze handleiding wordt ingegaan op het beoogde gebruik. Het gebruik van andere accessoires of hulpstukken dan wel de uitvoering van andere handelingen dan in deze gebruikershandleiding worden aanbevolen, kan tot persoonlijk letsel leiden.

Het in de waarschuwingen gebruikte begrip 'apparaat' heeft betrekking op apparaten voor gebruik op de netspanning (met netsnoer) of met een accu (snoerloos).

Bewaar alle waarschuwingen en instructies als referentiemateriaal.

Gebruik van het apparaat

Ga bij gebruik van het apparaat altijd voorzichtig te werk.

- ◆ Houd uw werkomgeving schoon en goed verlicht. Een rommelige of onverlichte werkruimte kan tot ongevallen leiden.
- ◆ Gebruik het apparaat alleen bij daglicht of goed kunstlicht.
- ◆ Gebruik het apparaat niet in een omgeving met explosiegevaar, zoals in de nabijheid van brandbare vloeistoffen, gasen of stof.
- ◆ Laat het apparaat nooit gebruiken door kinderen of door personen die onbekend zijn met de instructies voor het apparaat.
- ◆ Laat kinderen of dieren niet in de buurt van de werkomgeving komen, en evenmin het apparaat of netsnoer aanraken.
- ◆ Houd kinderen, omstanders en dieren op afstand tijdens het gebruik van een apparaat. Wanneer u wordt afgeleid, kunt u de controle over het apparaat verliezen.
- ◆ Het apparaat mag niet als speelgoed worden gebruikt.
- ◆ Dompel het apparaat niet onder in water.
- ◆ Open de behuizing niet. Het apparaat bevat geen onderdelen die door de gebruiker kunnen worden gerepareerd.

Veiligheid van personen

- ◆ Wees alert, let goed op wat u doet en gebruik uw gezond verstand bij het gebruik van een apparaat. Gebruik een apparaat niet wanneer u moe bent of onder invloed van drugs, alcohol of medicijnen verkeert. Een moment van onoplettendheid bij het gebruik van een apparaat kan leiden tot ernstige verwondingen.
- ◆ Draag, waar nodig, persoonlijke beschermende uitrusting. Het dragen van een persoonlijke beschermende uitrusting zoals een veiligheidsbril, een stofmasker, slipvaste werkschoenen, een veiligheidshelm of gehoorbescherming, afhankelijk van de aard en het gebruik van het apparaat, vermindert het risico van verwondingen.
- ◆ Voorkom per ongeluk inschakelen. Controleer of de schakelaar in de uit-stand staat voordat u het gereedschap aansluit op het stopcontact en/of de accu en voordat u het apparaat optilt of gaat dragen. Wanneer u bij het dragen van het apparaat uw vinger op de schakelaar houdt of wanneer u het apparaat per ongeluk inschakelt, kan dat tot ongevallen leiden.
- ◆ Reik niet te ver. Zorg er altijd voor dat u stevig staat en in evenwicht blijft. Daardoor kunt u het apparaat beter onder controle houden in onverwachte situaties.
- ◆ Draag geschikte kleding. Draag geen loshangende kleding of sieraden. Houd haren, kleding en handschoenen uit de buurt van bewegende delen. Loshangende kleding, sieraden en lange haren kunnen door bewegende delen worden meegenomen.

Gebruik en onderhoud van het apparaat

- ◆ Controleer het apparaat vóór gebruik op beschadigingen en defecten. Controleer het vooral op gebroken onderdelen, schade aan de schakelaars en andere omstandigheden die de werking ervan kunnen beïnvloeden.
- ◆ Gebruik het apparaat niet als de schakelaar defect is. Een apparaat dat niet meer kan worden in- of uitgeschakeld, is gevaarlijk en moet worden gerepareerd.
- ◆ Trek de stekker uit het stopcontact en/of haal de accu uit het apparaat voordat u het apparaat instelt, toebehoren wisselt of het apparaat opbergt. Deze voorzorgsmaatregelen helpen onbedoeld starten van het apparaat te voorkomen.
- ◆ Houd snijdende inzetgereedschappen, waar van toepassing, scherp en schoon. Zorgvuldig onderhouden snijdende inzetgereedschappen met scherpe snijkanten klemmen minder snel vast en zijn gemakkelijker te geleiden.
- ◆ Gebruik het apparaat niet in geval van een of meer beschadigde of defecte onderdelen.

- ◆ Laat beschadigde of defecte onderdelen door een van onze servicecentra repareren of vervangen.
- ◆ Probeer nooit andere onderdelen te verwijderen of vervangen dan in deze handleiding zijn vermeld.

Elektrische veiligheid

- ◆ De stekker van het apparaat moet in het stopcontact passen. De stekker mag in geen geval worden omgebouwd. Gebruik geen adapterstekkers in combinatie met geaarde apparaten. Niet-omgebouwde stekkers en passende stopcontacten beperken het risico van een elektrische schok.
- ◆ Houd het apparaat uit de buurt van regen en vocht. Het binnendringen van water in een apparaat vergroot het risico van een elektrische schok.
- ◆ Gebruik het snoer niet voor een verkeerd doel. Gebruik het snoer niet om het apparaat te dragen of op te hangen of om de stekker uit het stopcontact te trekken. Houd het snoer uit de buurt van hitte, olie, scherpe randen of bewegende delen. Beschadigde of in de war geraakte snoeren vergroten het risico van een elektrische schok.
- ◆ Wanneer u buitenshuis met een apparaat werkt, dient u alleen verlengsnoeren te gebruiken die zijn goedgekeurd voor gebruik buitenshuis. Het gebruik van een verlengsnoer dat geschikt is voor gebruik buitenshuis, beperkt het risico van een elektrische schok.
- ◆ Als u een apparaat moet gebruiken op een vochtige locatie, moet u een reststromschakelaar (RCD) gebruiken. Met een aardlekschakelaar wordt het risico van een elektrische schok verkleind.

Gebruik en onderhoud van apparaten met accuaandrijving (alleen snoerloze apparaten)

- ◆ Laad batterijen alleen op met de door de fabrikant aanbevolen lader. Een lader die geschikt is voor een bepaald type accu, kan brandgevaar opleveren wanneer deze in combinatie met andere accu's wordt gebruikt.
- ◆ Gebruik apparaten alleen in combinatie met specifiek vermelde accu's. Het gebruik van andere accu's kan gevaar voor letsel en brand opleveren.
- ◆ Houd accu's die niet worden gebruikt uit de buurt van andere metalen voorwerpen, zoals paperclips, munten, spijkers, schroeven of ander kleine metalen voorwerpen die een verbinding van de ene pool naar de andere tot stand kunnen brengen. Als er kortsluiting tussen de polen van een accu wordt gemaakt, kunnen brandwonden of brand worden veroorzaakt.

- ◆ Onder extreme omstandigheden kan er vloeistof uit de accu spuiten. Vermijd contact. Indien onbedoeld contact plaatsvindt, spoelt u met water. Als vloeistof in aanraking komt met ogen, raadpleegt u bovendien uw huisarts. Vloeistof die uit de accu spuit, kan irritatie of brandwonden veroorzaken.

Na gebruik

- ◆ Bewaar het apparaat na gebruik op een droge, goed geventileerde plaats, buiten het bereik van kinderen.
- ◆ Zorg dat het bewaarde apparaat niet toegankelijk is voor kinderen.
- ◆ Wanneer het apparaat in de auto ligt, moet u het apparaat in de kofferruimte plaatsen of goed vastzetten, zodat het apparaat niet kan wegschieten bij plotselinge veranderingen in snelheid of richting.

Veiligheid van anderen

- ◆ Dit gereedschap mag niet worden gebruikt door personen (waaronder kinderen) die lichamelijk of geestelijk minder valide zijn of die geen ervaring met of kennis van dit gereedschap hebben, tenzij ze onder toezicht staan of instructies krijgen wat betreft het gebruik van het gereedschap van een persoon die verantwoordelijk is voor hun veiligheid.
- ◆ Houd toezicht op kinderen om ervoor te zorgen dat zij niet met het apparaat gaan spelen.

Onderhoud

Laat het apparaat alleen repareren door gekwalificeerd en vakkundig personeel en alleen met originele vervangingsonderdelen. Daarmee wordt de veiligheid van het apparaat gewaarborgd.

Aanvullende veiligheidsinstructies – accu's en laders

Accu's

- ◆ Probeer accu's niet te openen, om welke reden ook.
- ◆ Stel de accu niet bloot aan water.
- ◆ Stel de accu niet bloot aan hitte.
- ◆ Bewaar de accu niet op locaties met temperaturen die hoger zijn dan 40°C.
- ◆ Laad de accu alleen op bij een omgevingstemperatuur tussen 10 en 40°C.
- ◆ Gebruik alleen de lader die bij het gereedschap/apparaat is geleverd. Het gebruik van de verkeerde lader kan resulteren in een elektrische schok of oververhitting van de accu.
- ◆ Gooi lege accu's weg volgens de instructies in het gedeelte "Milieu".
- ◆ De accubehuizing mag niet worden beschadigd of vervormd door er gaten in te laten komen of ertegen aan te stoten, aangezien dit kan leiden tot letsel of brand.

- ◆ Laad beschadigde batterijen niet op.
- ◆ Onder extreme omstandigheden kunnen accu's lekkages vertonen. Wanneer de accu nat of vochtig is, veegt u de vloeistof voorzichtig af met een doek. Vermijd huidcontact.
- ◆ Bij huid- of oogcontact volgt u de onderstaande instructies.

Waarschuwing! De accuvloeistof kan letsel of materiële schade veroorzaken. Bij huidcontact moet u de vloeistof direct afspoelen met water. Raadpleeg uw huisarts als er rode vlekken ontstaan of bij een pijnlijke of geïrriteerde huid. Bij oogcontact moet u de vloeistof direct afspoelen met water en uw huisarts raadplegen.

Laders

De lader is ontworpen voor een specifieke spanning. Controleer altijd of de netspanning overeenkomt met de waarde op het typeplaatje.

Waarschuwing! Probeer de lader nooit te vervangen door een normale netstekker.

- ◆ Gebruik de lader van Black & Decker alleen voor de accu in het gereedschap/apparaat waarbij de lader is bijgeleverd. Andere batterijen kunnen exploderen met letsel en materiële schade als gevolg.
- ◆ Niet-laadbare accu's mogen nooit worden opgeladen.
- ◆ Als het netsnoer is beschadigd, moet dit worden vervangen door de fabrikant of een Black & Decker-servicecentrum om gevaren te voorkomen.
- ◆ Stel de lader niet bloot aan water.
- ◆ Open de lader niet.
- ◆ Prik nooit met een scherp voorwerp in de lader.

Laad het apparaat/het gereedschap/de accu in een goed geventileerde locatie op.

Elektrische veiligheid



De lader is dubbel geïsoleerd, zodat een aardaansluiting niet noodzakelijk is. Controleer altijd of de netspanning overeenkomt met de waarde op het typeplaatje.

Als het netsnoer is beschadigd, moet dit worden vervangen door de fabrikant of een Black & Decker-servicecentrum om gevaren te voorkomen.

Waarschuwing! Probeer de lader nooit te vervangen door een normale netstekker.

Symbolen op de laadhouder



De laadhouder is dubbel geïsoleerd, zodat een aardaansluiting niet noodzakelijk is.



Scheidingstransformator voor de veiligheid. De netspanning is elektrisch van de transformatoruitgang gescheiden.



De laadhouder is uitsluitend bestemd voor gebruik binnenshuis.

Onderdelen

1. Zuigbuis
2. Ontgrendelingsknop stofcompartiment
3. Knop voor draaivergrendeling
4. Aan/uit-schakelaar
5. Compartimentdeur
6. Ontgrendeling voor compartimentdeur
7. Laadhouder
8. Uitklapbare borstel
9. Zuigbuisverlenging

Montage

Zuigbuis verstellen (fig. A - C)

De zuigbuis (1) is voorzien van een borstel die kan worden uitgevouwen voor afstoffen en het schoonmaken van bekleding.

- ◆ De zuigbuis (1) is onder het apparaat opgeborgen. Neem het apparaat van de laadhouder om de zuigbuis te kunnen verstellen (7).
- ◆ Druk op de draaivergrendelingsknop (3) en draai de zuigbuis (1) naar de gewenste stand.
- ◆ Laat de draaivergrendelingsknop (3) los om de zuigbuis in deze stand te vergrendelen.
- ◆ De zuigbuis kan langer worden gemaakt door de zuigbuisverlenging (9) uit te trekken totdat deze vastklikt.
- ◆ De verlenging kan worden ingeschoven door op knop (10) te drukken en de verlenging in de zuigbuis terug te schuiven.
- ◆ Plaats de zuigbuis na gebruik en voor het opladen terug in de opbergstand onder het apparaat.

Overige risico's

Er kunnen zich tijdens het gebruik van het gereedschap ook andere risico's voordoen die misschien niet in de bijgevoegde veiligheids waarschuwingen worden vermeld. Deze risico's kunnen zich voordoen als gevolg van onoordeelkundig gebruik, langdurig gebruik, enz.

Zelfs als de veiligheidsvoorschriften in acht worden genomen en de veiligheidsvoorzieningen worden geïmplementeerd, kunnen bepaalde risico's niet worden vermeden. Deze omvatten:

- ◆ Verwondingen die worden veroorzaakt door het aanraken van draaiende of bewegende onderdelen.
- ◆ Verwondingen die worden veroorzaakt bij het vervangen van onderdelen, bladen of accessoires.
- ◆ Verwondingen die worden veroorzaakt door langdurig gebruik van het gereedschap. Als u langere periodes met het gereedschap werkt, is het raadzaam om regelmatig een pauze in te lassen.
- ◆ Gehoorbeschadiging.
- ◆ Gezondheidsrisico's als gevolg van het inademen van stof dat door gebruik van het gereedschap wordt veroorzaakt (bijvoorbeeld tijdens het werken met hout, vooral eiken, beuken en MDF).

Gebruik

- ◆ Laad de accu vóór het eerste gebruik gedurende ten minste 24 uur op.
- ◆ Plaats het apparaat op de laadhouder als dit niet wordt gebruikt.

De accu laden (fig. D)

- ◆ Zorg ervoor dat het apparaat uitgeschakeld is. De batterij wordt niet opgeladen als de aan/uit-schakelaar (4) in de aan-stand staat.
- ◆ Plaats het apparaat zoals weergegeven op de laadhouder (7).
- ◆ Plaats de lader in het stopcontact. Schakel zonnig de netspanning in.

De oplaadindicator gaat branden.

- ◆ Laat het apparaat ten minste 24 uur opladen.

Tijdens het opladen kan de lader warm worden. Dit is normaal en wijst niet op een probleem. Het apparaat kan voor onbepaalde tijd met de lader verbonden blijven.

De oplaadindicator blijft branden zolang het apparaat zich op de laadhouder bevindt en de lader op het stopcontact is aangesloten.

Waarschuwing! Laad de accu niet op bij omgevingstemperaturen onder 4 °C of boven 40 °C.

In- en uitschakelen (fig. E)

- ◆ Schuif de aan/uit-schakelaar (4) naar voren in de stand **I** om het apparaat aan te zetten.
- ◆ Schakel het apparaat uit door de aan/uit-schakelaar (4) terug te schuiven naar de stand **0**.

Zuigkracht optimaal houden (fig. G - I)

Voor een optimale zuigkracht moeten de filters tijdens het gebruik regelmatig worden gereinigd.

- ◆ Druk op de ontgrendeling (6) en open de compartimentdeur (5) (fig. F).
- ◆ Maak het stofcompartiment leeg.

Reiniging en onderhoud

Verdraai het compartiment (fig. A) om het filter te schudden en vuil los te maken. Het is echter belangrijk het compartiment regelmatig leeg te maken door de filters te verwijderen (fig. J).

Waarschuwing! Reinig de filters regelmatig (12 en 13).

Stofcompartiment en filters reinigen (fig. G - K)

Er zijn twee methoden voor het reinigen van het stofcompartiment: een snelle methode en een grondige methode. Gebruik voor de snelle methode de volgende aanwijzingen.

De filters zijn herbruikbaar en moeten regelmatig worden gereinigd.

- ◆ Druk op de ontgrendeling (6) en open de compartimentdeur (5) (fig. F).
- ◆ Maak het stofcompartiment leeg (11).
- ◆ Sluit de deur van het stofcompartiment (5). Zorg ervoor dat de ontgrendeling (6) vastklikt.

Gebruik voor een grondige reiniging van het stofcompartiment de volgende aanwijzingen.

Het stofcompartiment (11) is door middel van een bajonetsluiting aan het apparaat bevestigd. Verwijder deze als volgt:

- ◆ Druk op de ontgrendelingsknop van het stofcompartiment (2), draai het stofcompartiment (11) linksom en haal het stofcompartiment van het apparaat.
- ◆ Zet de filterhaak (12) in de verticale stand (fig. I).
- ◆ Gebruik de filterhaak (12) om het filter (13) binnen het voorfilter (14) te draaien om het uit te schudden en het vuil los te maken.
- ◆ Verwijder het hoofdfilter (13).
- ◆ Borstel al het losse stof van het filter (13).

Het voorfilter (14) is bevestigd met een bajonetsluiting.

Verwijder het voorfilter als volgt:

- ◆ Draai het voorfilter (14) linksom en haal het voorzichtig uit het stofcompartiment.
- ◆ Zet het voorfilter (14) terug in het stofcompartiment (11) door het rechtsom te draaien totdat het op zijn plaats klikt.
- ◆ Plaats het hoofdfilter (13) in het voorfilter (14).
- ◆ Zet het stofcompartiment (14) terug in het apparaat door het rechtsom te draaien totdat het op zijn plaats klikt.

Waarschuwing! Gebruik het apparaat nooit zonder de filters. Het apparaat werkt alleen optimaal bij schone filters.

Filters vervangen

De filters moeten om de 6 à 9 maanden of bij tussentijdse verslijting of beschadiging worden vervangen. Vervangende filters zijn verkrijgbaar via uw Black & Decker-leverancier (cat. nr. VF90):

- ◆ Verwijder de oude filters op de hiervoor beschreven wijze.
- ◆ Plaats de nieuwe filters op de hiervoor beschreven wijze.

Milieu



■ Aparte inzameling. Dit product mag niet met normaal huishoudelijk afval worden weggegooid.

Mocht u op een dag constateren dat het Black & Decker-product aan vervanging toe is of dat u het apparaat niet meer nodig hebt, gooi het product dan niet bij het restafval. Het product valt onder de categorie voor elektrische apparaten.



Gescheiden inzameling van gebruikte producten en verpakkingsmaterialen maakt het mogelijk materialen te recyclen en opnieuw te gebruiken. Hergebruik van gerecycleerde materialen zorgt voor minder milieuvuiling en dringt de vraag naar grondstoffen terug.

Plaatselijke verordeningen kunnen voorzien in gescheiden inzameling van huishoudelijke elektrische producten via gemeentelijke stortplaatsen of via de leverancier bij wie u een nieuw product aanschaft.

Black & Decker biedt de mogelijkheid tot het recyclen van afgedankte Black & Decker-producten. Om gebruik te maken van deze service, dient u het product naar een van onze servicecentra te sturen, die de inzameling voor ons verzorgen.

U kunt het adres van het dichtstbijzijnde servicecentrum opvragen via de adressen op de achterzijde van deze handleiding. U kunt ook een lijst van onze servicecentra en meer informatie m.b.t. onze klantenservice vinden op het volgende internetadres: **www.2helpU.com**.

Technische gegevens

	PV9625N - H1	PV1225NB - H1 PV1225NPM - H1
Spanning	Vdc 9,6	12
Gewicht	kg 1,52	1,58

	PV1425N - H1	PV1825N - H1
Spanning	Vdc 14,4	18
Gewicht	kg 1,66	1,76

Lader	CHA002014B/G
Ingangsspanning	Vac 100-240
Uitgangsspanning	Vdc 7,2-24
Uitgangsstroom	mA 85
Oplaadtijd ca.	h 21
Gewicht	kg 0,18

Geluidsdrukniveau, gemeten volgens
EN 60704-1: = 75 dB(A)

Garantie

Black & Decker heeft vertrouwen in haar producten en biedt een uitstekende garantie. Deze garantiebepalingen vormen een aanvulling op uw wettelijke rechten en beperken deze niet. De garantie geldt in de lidstaten van de Europese Unie en de Europese Vrijhandelsassociatie.

Mocht uw Black & Decker product binnen 24 maanden na de datum van aankoop defect raken ten gevolge van materiaal- of constructiefouten, dan garanderen wij de kosteloze vervanging van defecte onderdelen, de reparatie van het product of de vervanging van het product, tenzij:

- ◆ Het product is gebruikt voor handelsdoeleinden, professionele toepassingen of verhuurdoeleinden;
- ◆ Het product onoordeelkundig is gebruikt;
- ◆ Het product is beschadigd door invloeden van buitenaf of door een ongeval;
- ◆ Reparaties zijn uitgevoerd door anderen dan onze servicecentra of Black & Decker-personeel.

Om een beroep te doen op de garantie, dient u een aankoopbewijs te overhandigen aan de verkoper of een van onze servicecentra. U kunt het adres van het dichtstbijzijnde servicecentrum opvragen via de adressen op de achterzijde van deze handleiding. U kunt ook een lijst van onze servicecentra en meer informatie m.b.t. onze klantenservice vinden op het volgende internetadres: **www.2helpU.com**

Meld u aan op onze website **www.blackanddecker.nl** om te worden geïnformeerd over nieuwe producten en speciale aanbiedingen. Verdere informatie over het merk Black & Decker en onze producten vindt u op **www.blackanddecker.nl**.

Uso previsto

La aspiradora de mano Dustbuster® de Black & Decker se ha diseñado para proporcionar una limpieza suave mediante aspiración en seco. Este aparato está pensado únicamente para uso doméstico.

Advertencias de seguridad generales para el aparato



¡Atención! Si utiliza aparatos eléctricos/sin cable, es necesario seguir las precauciones de seguridad básicas, incluidas las que se indican a continuación, para reducir el riesgo de incendios, descargas eléctricas, lesiones personales y daños materiales.

- ◆ Lea todo el manual detenidamente antes de utilizar el aparato.
- ◆ En este manual se describe el uso para el que se ha diseñado el aparato. La utilización de accesorios o la realización de operaciones distintas de las recomendadas en este manual de instrucciones puede presentar un riesgo de lesiones.

El término "aparato" empleado en las advertencias se refiere al aparato eléctrico con alimentación de red (con cable) o al aparato eléctrico alimentado por batería (sin cable).

Guarde todas las advertencias e instrucciones para consultarlas en el futuro.

Utilización del aparato

Tenga siempre mucho cuidado al utilizar el aparato.

- ◆ Mantenga limpia y bien iluminada el área de trabajo. El desorden y una iluminación deficiente pueden provocar accidentes.
- ◆ Utilice el aparato únicamente a la luz del día o con iluminación artificial adecuada.
- ◆ No utilice el aparato en entornos con peligro de explosión, como en los que se encuentren líquidos, gases o material en polvo inflamables.
- ◆ Nunca permita que los niños ni las personas no familiarizadas con estas instrucciones utilicen el aparato.
- ◆ Evite que los niños y animales se acerquen a la zona de trabajo y toquen el aparato o el cable de alimentación.
- ◆ Cuando utilice el aparato, mantenga a los niños, a otras personas y a los animales alejados del área de trabajo. Una distracción le puede hacer perder el control del aparato.
- ◆ Este aparato no es un juguete.
- ◆ No sumerja el aparato en agua.
- ◆ No abra la carcasa. Las piezas del interior del aparato no pueden ser reparadas por el usuario.

Seguridad personal

- ◆ Esté atento a lo que hace y emplee el aparato con prudencia. No lo utilice si está cansado, ni si se encuentra bajo los efectos del alcohol, drogas o medicamentos. Un momento de distracción durante el uso del aparato puede provocarle serias lesiones personales.
- ◆ En caso necesario, utilice un equipo de protección personal. El riesgo de lesiones se reduce considerablemente si se utiliza material de protección adecuado como gafas de protección, mascarilla antipolvo, zapatos de seguridad con suela antideslizante, casco o protectores auditivos.
- ◆ Impida que la herramienta se ponga en marcha accidentalmente. Asegúrese de que el conmutador de encendido/apagado se encuentre en la posición de apagado antes de coger o transportar el aparato, o de conectarlo a la fuente de alimentación o a la batería. Transportar el aparato con el dedo sobre el conmutador o enchufarlo con el conmutador encendido puede provocar accidentes.
- ◆ Sea precavido. Mantenga un apoyo firme sobre el suelo y conserve el equilibrio en todo momento. Ello le permitirá controlar mejor el aparato en caso de presentarse una situación inesperada.
- ◆ Lleve puesta una vestimenta de trabajo adecuada. No lleve ropa holgada ni joyas. Aleje el pelo, la ropa y los guantes de las piezas móviles. La vestimenta holgada, las joyas y el pelo largo se pueden enganchar con las piezas en movimiento.

Uso y cuidado del aparato

- ◆ Antes de utilizarlo, compruebe que el aparato no contenga piezas dañadas ni defectuosas. Compruebe que no haya piezas rotas, que los conmutadores no estén dañados y que no existan otros defectos que puedan afectar al funcionamiento del aparato.
- ◆ No utilice el aparato con un conmutador defectuoso. Los aparatos que no se puedan controlar con un conmutador de conexión/desconexión son peligrosos y deben hacerse reparar.
- ◆ Desconecte el enchufe de la fuente de alimentación y/o la batería del aparato antes de realizar cualquier ajuste, cambiar accesorios o guardar los aparatos. Estas medidas preventivas reducen el riesgo de conectar el aparato accidentalmente.
- ◆ En los casos en los que esta recomendación sea aplicable, mantenga las herramientas de corte limpias y afiladas. Las herramientas de corte mantenidas correctamente se dejan guiar y controlar mejor.
- ◆ No utilice el aparato si presenta alguna pieza dañada o defectuosa.

- ◆ Solicite al servicio técnico autorizado la reparación o sustitución de las piezas dañadas o defectuosas.
- ◆ Nunca intente extraer ni sustituir piezas no especificadas en este manual.

Seguridad eléctrica

- ◆ El enchufe del aparato debe corresponder a la toma de corriente utilizada. No modifique el enchufe. No emplee adaptadores en aparatos dotados con toma de tierra. Estas pautas le ayudarán a reducir el riesgo de descargas eléctricas.
- ◆ No exponga el aparato a la lluvia ni lo someta a entornos húmedos. El peligro de recibir una descarga eléctrica es mayor si penetra agua en el aparato.
- ◆ Cuide el cable de alimentación. No lo utilice para transportar o colgar el aparato, ni tire de él para sacar el enchufe de la toma de corriente. Manténgalo alejado del calor, aceite, bordes afilados o piezas móviles. Los cables de red dañados o enredados incrementan el riesgo de descarga eléctrica.
- ◆ Al trabajar con el aparato a la intemperie utilice solamente cables de prolongación homologados para su uso en exteriores. Esto le ayudará a reducir el riesgo de descarga eléctrica.
- ◆ Si la utilización de un aparato en un lugar húmedo es inevitable, utilice una fuente protegida con un dispositivo de corriente residual (DDR). Ello le ayudará a reducir el riesgo de descargas eléctricas.

Uso y cuidado de la batería (solo para aparatos sin cables)

- ◆ Recargue sólo con el cargador especificado por el fabricante. Un cargador que sea específico para un tipo de batería podría suponer un riesgo de incendio si se utilizara con otra batería.
- ◆ Sólo debe utilizar los aparatos con las baterías específicamente recomendadas. El uso de otras baterías puede suponer un riesgo de incendio y lesiones.
- ◆ Cuando no se utilice la batería, manténgala alejada de objetos de metal como clips para papel, monedas, llaves, clavos, tornillos y otros pequeños objetos metálicos que pueden realizar una conexión de un terminal a otro. Si provoca un cortocircuito entre los terminales de la batería, puede ocasionar un incendio o sufrir quemaduras.
- ◆ En condiciones extremas, es posible que la batería expulse líquido; evite el contacto. En caso de tocarlo accidentalmente, enjuáguese con agua. Si el líquido entra en contacto con los ojos, solicite asistencia médica. El líquido que expulsa la pila puede producir irritación o quemaduras.

Después de la utilización

- ◆ Cuando no utilice el aparato, deberá guardarse en un lugar seco, bien ventilado y lejos del alcance de los niños.
- ◆ Los niños no deben tener acceso a los aparatos guardados.
- ◆ Cuando se guarde o transporte el aparato en un vehículo, deberá colocarse en el maletero o asegurarse para evitar movimientos producidos por cambios repentinos en la velocidad o la dirección.

La seguridad de terceros

- ◆ Las personas (incluidos niños) con capacidades físicas, sensoriales o mentales disminuidas o que carezcan de experiencia y conocimientos no deben utilizar esta herramienta, salvo que hayan recibido supervisión o formación con respecto al uso del aparato por parte de una persona responsable de su seguridad.
- ◆ Los niños deben vigilarse en todo momento para garantizar que el aparato no se toma como elemento de juego.

Servicio técnico

Este aparato sólo lo puede reparar personal técnico autorizado que emplee exclusivamente piezas de repuesto originales. De este modo se garantiza el mantenimiento de la seguridad del aparato.

Instrucciones de seguridad adicionales: baterías y cargadores

Baterías

- ◆ No intente abrirlas bajo ningún concepto.
- ◆ No exponga la batería al agua.
- ◆ No exponga la batería al calor.
- ◆ No guarde la batería en lugares en los que la temperatura pueda superar los 40 °C.
- ◆ Realice la carga únicamente a una temperatura ambiente de entre 10 °C y 40 °C.
- ◆ Utilice únicamente el cargador suministrado con el aparato o la herramienta para realizar la carga. La utilización de un cargador incorrecto podría provocar una descarga eléctrica o el recalentamiento de la batería.
- ◆ Para desechar las pilas o las baterías, siga las instrucciones facilitadas en la sección "Protección del medio ambiente".
- ◆ No dañe ni deforme la batería mediante perforaciones o golpes, ya que puede suponer un riesgo de incendio y de lesiones.
- ◆ No cargue baterías dañadas.

- ◆ Es posible que se produzcan fugas en las baterías en condiciones extremas. Cuando observe que se producen fugas en las baterías, limpie cuidadosamente el líquido con un paño. Evite el contacto con la piel.
- ◆ En caso de que se produzca contacto con la piel o los ojos, siga las instrucciones facilitadas a continuación.

¡Atención! El líquido de las baterías puede provocar lesiones personales o daños materiales. En caso de que se produzca contacto con la piel, lave la zona con agua inmediatamente. Si se produce enrojecimiento, dolor o irritación, solicite atención médica. En caso de contacto con los ojos, lave la zona inmediatamente con agua limpia y solicite atención médica.

Cargadores

El cargador se ha diseñado para un voltaje específico. Cada vez que utilice el aparato, debe comprobar que el voltaje de la red eléctrica corresponde con el valor indicado en la placa de características.

¡Atención! No intente sustituir el cargador por un enchufe convencional para la red eléctrica.

- ◆ Para cargar la batería del aparato o herramienta, utilice únicamente el cargador Black & Decker suministrado. En caso de intentar cargar otras baterías, estas podrían explotar, lo que podría provocar lesiones y daños personales.
- ◆ Nunca intente cargar baterías no recargables.
- ◆ Si se dañara el cable de alimentación, deberá ser sustituido por el fabricante o por un centro de asistencia técnica autorizado de Black & Decker para evitar cualquier situación de riesgo.
- ◆ No exponga el cargador al agua.
- ◆ No abra el cargador.
- ◆ No aplique ningún dispositivo para medir la resistencia del cargador.

El aparato, la herramienta o la batería debe colocarse en una zona bien ventilada durante la carga.

Seguridad eléctrica



El cargador está provisto de doble aislamiento, por lo que no requiere una toma de tierra. Cada vez que utilice el aparato, debe comprobar que el voltaje de la red eléctrica corresponde con el valor indicado en la placa de características.

Si se dañara el cable de alimentación, deberá ser sustituido por el fabricante o por un centro de asistencia técnica autorizado de Black & Decker para evitar cualquier situación de riesgo.

¡Atención! No intente sustituir el cargador por un enchufe convencional para la red eléctrica.

Símbolos de la base del cargador



La base del cargador está provista de doble aislamiento, por lo que no requiere una toma de tierra.



Transformador con aislamiento de seguridad. El circuito eléctrico de la toma de corriente está aislado de la salida del transformador.



La base del cargador está pensada únicamente para utilizarla en espacios interiores.

Características

1. Colector de polvo
2. Botón de liberación del contenedor para el polvo
3. Botón de bloqueo de posición
4. Interruptor de encendido/apagado
5. Tapa del contenedor
6. Pestaña de liberación de la tapa del contenedor
7. Base del cargador
8. Cepillo desplegable
9. Prolongación del colector de polvo

Montaje

Ajuste del colector de polvo (fig. A - C)

El colector de polvo (1) dispone de un cepillo que puede doblarse hacia delante para limpiar el polvo y las tapicerías.

- ◆ El colector de polvo (1) se encuentra debajo del aparato. Si desea ajustarlo para utilizarlo, levante el aparato de la base del cargador (7).
- ◆ Pulse el botón de bloqueo de posición (3) y gire el colector de polvo (1) hasta la posición indicada.
- ◆ Suelte el botón de bloqueo de posición (3) para que el colector de polvo quede fijado en la posición correspondiente.
- ◆ Es posible prolongar el colector de polvo tirando de la extensión (9) hasta que quede bloqueada en la posición correspondiente.
- ◆ Dicha extensión puede contraerse pulsando el botón (10) y presionándola hacia el interior del colector de polvo.
- ◆ Se recomienda que después de la utilización o durante la carga del aparato, el colector de polvo vuelva a colocarse en el lugar de almacenamiento situado en la parte inferior de dicho aparato.

Riesgos residuales

El uso de esta herramienta puede producir riesgos residuales adicionales no incluidos en las advertencias de seguridad adjuntas. Estos riesgos se pueden generar por un uso incorrecto, demasiado prolongado, etc.

El cumplimiento de las normas de seguridad correspondientes y el uso de dispositivos de seguridad no evitan ciertos riesgos residuales. Estos riesgos incluyen:

- ◆ Lesiones producidas por el contacto con piezas móviles o giratorias.
- ◆ Lesiones producidas al cambiar cualquier pieza, cuchilla o accesorio.
- ◆ Lesiones producidas al usar una herramienta por un tiempo demasiado prolongado. Si utiliza una herramienta durante períodos de tiempo demasiado prolongados, asegúrese de realizar pausas con frecuencia.
- ◆ Discapacidad auditiva.
- ◆ Riesgos para la salud producidos al respirar el polvo que se genera al usar la herramienta (por ejemplo: en los trabajos con madera, especialmente de roble, haya y tableros de densidad mediana).

Uso

- ◆ Antes de utilizarlo por primera vez, la batería se debe cargar durante 24 horas como mínimo.
- ◆ Cuando no esté utilizando el aparato, colóquelo en la base del cargador.

Carga de la batería (fig. D)

- ◆ Compruebe que el aparato está apagado. La batería no se cargará si el conmutador de encendido/apagado (4) está en la posición de encendido.
- ◆ Coloque el aparato en la base del cargador (7) de la siguiente manera.
- ◆ Conecte el cargador. Conéctelo a la red eléctrica.

Se encenderá el indicador de carga.

- ◆ El aparato se debe cargar durante un mínimo de 24 horas.

Durante la carga, es posible que el cargador se caliente. Esto es normal y no indica ningún fallo en el funcionamiento. Se puede dejar el aparato conectado al cargador indefinidamente. El indicador de carga permanecerá encendido siempre que esté conectado al cargador y este último permanezca enchufado.

¡Atención! No cargue la batería a temperatura ambiente si es inferior a 4 °C o superior a 40 °C.

Encendido y apagado (Fig. E)

- ◆ Para encender el aparato, deslice el conmutador ON/OFF (encendido/apagado) (4) hacia delante hasta la posición I.
- ◆ Para apagar el aparato, vuelva a colocar el conmutador ON/OFF (4) en la posición 0.

Optimización de la fuerza de succión (fig. G - I)

Para mantener la fuerza de succión del aparato, es necesario limpiar los filtros periódicamente.

- ◆ Pulse la pestaña de liberación (6) y abra la tapa del contenedor (5) (fig. F).
- ◆ Vacíe el contenedor para el polvo.

Limpieza y mantenimiento

Al girar el cuenco (fig. A) se agita el filtro para eliminar la suciedad. Sin embargo, es importante vaciar el cuenco de forma regular extrayendo los filtros (fig. J).

¡Atención! Limpie los filtros de forma regular (12 y 13).

Limpieza del contenedor para el polvo y de los filtros (fig. G - K)

Existen dos formas de limpiar el cuenco: el método de vaciado rápido y un método de limpieza más profunda. Para el método de vaciado rápido, siga las instrucciones descritas continuación.

Los filtros son reutilizables y se deben limpiar con regularidad.

- ◆ Pulse la pestaña de liberación (6) y abra la tapa del contenedor (5) (fig. F).
- ◆ Vacíe el contenedor para el polvo (11).
- ◆ Cierre la tapa del contenedor para el polvo (5). Asegúrese de que la pestaña de liberación (6) encaje en la posición original.

Para realizar una limpieza profunda del cuenco, siga las instrucciones descritas a continuación.

El contenedor para el polvo (11) está fijado al cuerpo del dispositivo con una fijación tipo bayoneta. Para extraerlo:

- ◆ Pulse el botón de liberación del contenedor para el polvo (2) y gire el contenedor (11) en dirección contraria a las agujas del reloj. A continuación, deslice el contenedor para el polvo a fin de extraerlo del dispositivo.
- ◆ Gire el gancho del filtro (12) en posición vertical (fig. I).
- ◆ Utilice el gancho del filtro (12) para girar el filtro (13) en la parte del pre-filtro (14) para agitarlo y eliminar la suciedad.
- ◆ Extraiga el filtro principal (13).
- ◆ Cepille el polvo que todavía queda en el filtro (13).

El pre-filtro (14) está fijado con fijación tipo bayoneta.

Para extraerlo:

- ◆ Gire el pre-filtro (14) en sentido contrario a las agujas del reloj y extráigalo deslizándolo del contenedor para el polvo.
- ◆ Instale el pre-filtro (14) en el contenedor para el polvo (11) girándolo en el sentido de las agujas del reloj hasta que quede en una posición de bloqueo.

- ◆ Instale el filtro principal (13) en el pre-filtro (14).
- ◆ Instale el contenedor para el polvo (11) al dispositivo, gírelo en el sentido de las agujas del reloj hasta que quede en una posición de bloqueo.

¡Atención! No utilice nunca el aparato sin filtros. Solo conseguirá un óptimo rendimiento del aparato si los filtros están limpios.

Sustitución de los filtros

Es necesario cambiar los filtros cada 6 ó 9 meses y cuando se gasten o se dañen. Los filtros de repuesto estarán disponibles en el distribuidor Black & Decker más cercano (número de catálogo VF90):

- ◆ Extraiga los filtros viejos como se ha descrito anteriormente.
- ◆ Coloque los filtros nuevos como se ha descrito anteriormente.

Protección del medio ambiente



Recogida selectiva. No se debe desechar este producto con el resto de residuos domésticos.

Si llegase el momento en que fuese necesario sustituir su producto Black & Decker o si este dejase de tener utilidad para usted, no lo deseche junto con los residuos domésticos. Sepárelo para su recogida selectiva.



La recogida selectiva de productos y embalajes usados permite el reciclaje de materiales y su reutilización. La reutilización de materiales reciclados contribuye a evitar la contaminación medioambiental y reduce la demanda de materias primas.

Las normativas municipales deben ofrecer la recogida selectiva de productos eléctricos del hogar, en puntos municipales previstos para tal fin o a través del distribuidor cuando adquiera un nuevo producto.

Black & Decker proporciona facilidades para la recogida y reciclado de los productos Black & Decker que han llegado al final de su vida útil. Para poder utilizar este servicio, le rogamos que entregue el producto a cualquier agente de servicio técnico autorizado para que se haga cargo de él en nuestro nombre.

Para consultar la dirección del agente de servicio técnico más cercano, póngase en contacto con la oficina local de Black & Decker en la dirección que se indica en este manual. Como alternativa, se puede consultar en Internet la lista de servicios técnicos autorizados e información completa de nuestros servicios de posventa y contactos, en la dirección siguiente: **www.2helpU.com**.

Características técnicas

	PV9625N - H1	PV1225NB - H1 PV1225NPM - H1
Voltaje	V de CC 9,6	12
Peso	kg 1,52	1,58

	PV1425N - H1	PV1825N - H1
Voltaje	V de CC 14,4	18
Peso	kg 1,66	1,76

Cargador	CHA002014B/G
Voltaje de entrada	V de CA 100-240
Voltaje de salida	V de CC 7,2-24
Corriente de salida	mA 85
Tiempo de carga aproximado	h 21
Peso	kg 0,18

Nivel de presión sonora:
<75 dB(A) de acuerdo con la directiva EN 60704)

Garantía

Black & Decker confía plenamente en la calidad de sus productos y ofrece una garantía extraordinaria. Esta declaración de garantía es un añadido, y en ningún caso un perjuicio para sus derechos legales. La garantía es válida dentro de los territorios de los Estados miembros de la Unión Europea y de los de la Zona Europea de Libre Comercio.

Si cualquier producto de Black & Decker resultara defectuoso debido a materiales o mano de obra defectuosos o a la falta de conformidad, Black & Decker garantiza, dentro de los 24 meses posteriores a la fecha de compra, la sustitución de las piezas defectuosas, la reparación de los productos sujetos a un desgaste y rotura razonables o la sustitución de tales productos para garantizar al cliente el mínimo de inconvenientes, a menos que:

- ◆ El producto se haya utilizado con propósitos comerciales, profesionales o de alquiler.
- ◆ El producto se haya sometido a un uso inadecuado o negligente.
- ◆ El producto haya sufrido daños causados por objetos, sustancias extrañas o accidentes.
- ◆ Se hayan realizado reparaciones por parte de personas que no sean agentes de servicio técnico autorizado o personal de servicios de Black & Decker.

Para reclamar en garantía, será necesario que presente la prueba de compra al vendedor o al agente de servicio técnico autorizado. Puede consultar la dirección de su agente de servicio técnico más cercano si se pone en contacto con la oficina local de Black & Decker en la dirección que se indica en este manual. Como alternativa, se puede consultar en Internet la lista de servicios técnicos autorizados e información completa de nuestros servicios de posventa y contactos, en la dirección siguiente:

www.2helpU.com

Visite el sitio web **www.blackanddecker.eu** para registrar su nuevo producto Black & Decker y estar al día sobre productos y ofertas especiales. Encontrará información adicional sobre la marca Black & Decker y nuestra gama de productos en **www.blackanddecker.eu**.

Utilização prevista

O aspirador portátil Black & Decker Dustbuster® foi concebido para limpezas leves. Este aparelho destina-se apenas a utilização doméstica.

Avisos de segurança gerais para aparelhos eléctricos



Atenção! Ao utilizar aparelhos eléctricos/sem fios, deve sempre cumprir medidas de segurança básicas, incluindo as seguintes, de modo a reduzir os riscos de incêndio, choque eléctrico e danos pessoais e materiais.

- ◆ Leia cuidadosamente o manual completo antes de utilizar este aparelho.
- ◆ A utilização prevista para este aparelho está descrita neste manual. A utilização de qualquer acessório ou a realização de qualquer operação com este aparelho que não esteja incluída no presente manual de instruções poderá representar um risco de ferimentos pessoais.

A expressão "aparelho" utilizada nos avisos refere-se ao seu aparelho com ligação à corrente eléctrica (com cabo) ou com bateria (sem fios).

Guarde todos os avisos e instruções para consulta futura.

Utilizar o aparelho

Tenha sempre cuidado quando utiliza este aparelho.

- ◆ Mantenha a área de trabalho limpa e bem iluminada. Áreas desarrumadas ou mal iluminadas são propícias a acidentes.
- ◆ Utilize apenas o aparelho à luz do dia ou com uma boa luz artificial.
- ◆ Não utilize o aparelho em áreas com risco de explosão, nas quais se encontrem líquidos, gases ou poeiras inflamáveis.
- ◆ Nunca deixe crianças ou pessoas que não estejam familiarizadas com estas instruções utilizar este aparelho.
- ◆ Não deixe crianças ou animais aproximarem-se da área de trabalho ou tocarem no cabo de alimentação do aparelho.
- ◆ Mantenha crianças, outras pessoas e animais afastados durante a utilização do aparelho. Distrações podem provocar perda de controlo do aparelho.
- ◆ Este aparelho não deve ser utilizado como um brinquedo.
- ◆ Não mergulhe o aparelho em água.
- ◆ Não abra a estrutura do produto. Não existem peças para manutenção pelo utilizador no interior.

Segurança pessoal

- ◆ Mantenha-se atento, concentre-se naquilo que está a fazer e utilize o bom senso quando utilizar o aparelho. Não utilize o aparelho se estiver cansado ou sob a influência de drogas, álcool ou medicamentos. Um momento de falta de atenção enquanto utiliza o aparelho poderá resultar em lesões graves.
- ◆ Sempre que necessário, utilize equipamento de protecção pessoal. Equipamento de protecção como, por exemplo, protecção para os olhos, máscara anti-poeiras, sapatos de segurança anti-derrapantes, capacete de segurança ou protecção auricular, de acordo com as condições adequadas reduz o risco de lesões.
- ◆ Evite arranques involuntários. Certifique-se de que o botão está desligado antes de ligar o aparelho à corrente eléctrica e/ou a bateria, e antes de pegar ou transportar o aparelho. Transportar aparelhos com o dedo no botão ou ligar aparelhos à tomada com o interruptor na posição de ligado pode dar origem a acidentes.
- ◆ Não tente chegar a pontos fora do alcance. Mantenha-se sempre bem posicionado e em equilíbrio. Assim, controlará melhor o aparelho em situações imprevistas.
- ◆ Utilize vestuário adequado. Não utilize roupas largas nem jóias. Mantenha o cabelo, roupa e luvas afastados de peças em movimento. Roupas largas, jóias ou cabelo comprido podem ser apanhados por partes móveis.

Utilização e manutenção do aparelho

- ◆ Antes da utilização, verifique o aparelho quanto a peças danificadas ou avariadas. Verifique se há peças partidas, danos nos interruptores ou outro tipo de condições que possam afectar o seu funcionamento.
- ◆ Não utilize o aparelho se o interruptor não puder ser ligado nem desligado. Qualquer aparelho que não possa ser controlado com o interruptor é perigoso e terá de ser reparado.
- ◆ Desligue a ficha da tomada e/ou a bateria do aparelho antes de proceder a ajustes, trocar acessórios ou guardar aparelhos. Estas medidas de segurança reduzem o risco de o aparelho ser ligado acidentalmente.
- ◆ Sempre que aplicável, mantenha as ferramentas de corte afiadas e limpas. Ferramentas de corte com a manutenção adequada e extremidades afiadas bloqueiam com menos frequência e são mais fáceis de controlar.
- ◆ Não utilize este aparelho se alguma das suas peças estiver danificada ou avariada.

- ◆ Mande reparar ou substituir quaisquer peças danificadas ou avariadas por um agente de reparação autorizado.
- ◆ Nunca tente retirar ou substituir quaisquer peças que não as especificadas neste manual.

Segurança eléctrica

- ◆ As fichas do aparelho devem caber na tomada. A ficha não deve ser modificada de modo algum. Não utilize quaisquer fichas adaptadoras em aparelhos com ligação à terra. Fichas sem modificações e tomadas adequadas reduzem o risco de choques eléctricos.
- ◆ Não exponha o aparelho à chuva ou humidade. A penetração de água num aparelho aumenta o risco de choques eléctricos.
- ◆ Manuseie o fio com cuidado. O cabo não deve ser utilizado para transportar ou pendurar o aparelho, nem para puxar a ficha da tomada. Mantenha o cabo afastado de calor, óleo, pontas afiadas ou partes móveis. Cabos danificados ou torcidos aumentam o risco de choques eléctricos.
- ◆ Quando trabalhar com um aparelho ao ar livre, utilize um cabo de extensão apropriado para esse fim. A utilização de um cabo apropriado para áreas ao ar livre reduz o risco de choques eléctricos.
- ◆ Se for inevitável trabalhar com um aparelho num local húmido, utilize um Dispositivo de Corrente Residual (RCD). A utilização de um RCD reduz o risco de choque eléctrico.

Utilização e manutenção da bateria da ferramenta (apenas para aparelhos sem fios)

- ◆ Carregue apenas com o carregador especificado pelo fabricante. Um carregador adequado para um tipo de bateria pode dar origem a risco de incêndio quando utilizado com outro tipo de bateria.
- ◆ Utilize aparelhos apenas com baterias específicas. A utilização de outras baterias pode dar origem a risco de danos e incêndio.
- ◆ Quando uma bateria não estiver a ser utilizada, mantenha-a afastada de outros objectos metálicos como, por exemplo, cliques, moedas, chaves, pregos, parafusos ou outros pequenos objectos metálicos que podem fazer ligação de um terminal a outro. O curto-circuito de terminais de bateria pode causar queimaduras ou incêndio.
- ◆ Sob condições exageradas, a bateria pode verter líquido – evite o contacto. Se ocorrer um contacto accidental, lave abundantemente com água. Se o líquido entrar em contacto com os olhos, procure assistência médica. O líquido vertido da bateria pode causar irritação ou queimaduras.

Após a utilização

- ◆ Quando não for utilizado, o aparelho deve ser guardado num local seco e com boa ventilação, longe do alcance das crianças.
- ◆ As crianças não devem ter acesso aos aparelhos armazenados.
- ◆ Quando o aparelho for guardado ou transportado num veículo, deverá ser colocado na bagageira ou fixo de forma a evitar o movimento devido a alterações súbitas na velocidade ou direcção.

Segurança de terceiros

- ◆ Esta ferramenta não deve ser utilizada por pessoas (incluindo crianças) que apresentem capacidades físicas, sensoriais ou mentais reduzidas ou que não possuam os conhecimentos e a experiência necessários, excepto se forem vigiadas e instruídas acerca da utilização do aparelho por uma pessoa responsável pela sua segurança.
- ◆ As crianças deverão ser vigiadas para que não mexam no aparelho.

Reparação

O seu aparelho só deve ser reparado por pessoal qualificado e só devem ser colocadas peças sobressalentes originais. Isso garante a manutenção da segurança do aparelho.

Instruções de segurança adicionais - baterias e carregadores

Baterias

- ◆ Nunca tente abrir a bateria por motivo algum.
- ◆ Não exponha a bateria à água.
- ◆ Não exponha a bateria ao calor.
- ◆ Não armazene em locais onde a temperatura possa exceder os 40°C.
- ◆ Carregue apenas a temperaturas ambiente entre 10°C e 40°C.
- ◆ Carregue apenas com o carregador fornecido com o aparelho/ferramenta. A utilização do carregador errado pode resultar em choque eléctrico ou sobreaquecimento da bateria.
- ◆ Quando eliminar as baterias, siga as instruções da secção "Protecção do ambiente".
- ◆ Não danifique a bateria por perfuração ou impacto, pois poderá originar risco de ferimentos e incêndio.
- ◆ Não carregue baterias danificadas.
- ◆ Em condições extremas, pode ocorrer uma fuga nas baterias. Se detectar a fuga de líquido das baterias, limpe o líquido cuidadosamente com um pano. Evite o contacto com a pele.
- ◆ Em caso de contacto com a pele ou com os olhos, siga as instruções seguintes.

Atenção! O fluido da bateria pode causar ferimentos pessoais ou danos materiais. Em caso de contacto com a pele, enxágue imediatamente com água. Em caso de vermelhidão, dor ou irritação, contacte um médico. Em caso de contacto com os olhos, enxágue imediatamente com água limpa e contacte um médico.

Carregadores

O seu carregador foi concebido para uma tensão específica. Verifique sempre se a tensão de alimentação corresponde à tensão indicada na placa de especificações.

Atenção! Nunca tente substituir a unidade do carregador por uma tomada normal de alimentação.

- ◆ Utilize o seu carregador Black & Decker apenas para carregar a bateria do aparelho/ferramenta com que foi fornecido. Outras baterias poderão rebentar, provocando lesões pessoais e danos.
- ◆ Nunca tente carregar baterias não recarregáveis.
- ◆ Se o cabo de alimentação estiver danificado, terá de ser substituído pelo fabricante ou por um centro de assistência autorizado Black & Decker para evitar acidentes.
- ◆ Não exponha o carregador à água.
- ◆ Não abra o carregador.
- ◆ Não manipule o interior do carregador.

O aparelho/ferramenta/bateria deve ser colocado numa área com boa ventilação durante o carregamento.

Segurança eléctrica



O carregador tem um isolamento duplo; consequentemente, não é necessário um fio de terra. Verifique sempre se a tensão de alimentação corresponde à tensão indicada na placa de especificações.

Se o cabo de alimentação estiver danificado, terá de ser substituído pelo fabricante ou por um centro de assistência autorizado Black & Decker para evitar acidentes.

Atenção! Nunca tente substituir a unidade do carregador por uma tomada normal de alimentação.

Símbolos na base de carga



A base de carga tem um isolamento duplo e, por isso, não é necessário um fio de terra.



Transformador de isolamento de segurança. A alimentação está electricamente separada da saída do transformador.



A base de carga destina-se exclusivamente a uma utilização no interior.

Funções

1. Recipiente de poeira
2. Botão de desbloqueio do depósito de poeira
3. Botão de bloqueio do pivot
4. Interruptor para ligar/desligar
5. Porta do depósito
6. Fecho da porta do depósito
7. Base de carga
8. Escova dobrável
9. Extensão do recipiente de poeira

Montagem

Ajustar o recipiente de poeira (fig. A e C)

O recipiente de poeira (1) integra uma escova que pode ser dobrada para a frente para aspirar o pó e limpar estofos.

- ◆ O recipiente de poeira (1) é guardado na parte inferior do aparelho. Para ajustar para utilização, levante o aparelho da base de carga (7).
- ◆ Prima o botão de bloqueio do pivot (3) e rode o recipiente de poeira (1) para a posição pretendida.
- ◆ Solte o botão de bloqueio do pivot (3) para bloquear o recipiente de poeira na posição.
- ◆ O recipiente de poeira pode ser aumentado puxando a extensão do recipiente de poeira (9) até ficar fixo na posição.
- ◆ A extensão pode ser retraída premindo o botão (10) e empurrando a extensão de novo para dentro do recipiente de poeira.
- ◆ O recipiente de poeira deve regressar à posição de arrumação na parte inferior do aparelho após a utilização e durante o carregamento do mesmo.

Riscos residuais

Podem surgir riscos residuais adicionais durante a utilização da ferramenta que poderão não constar nos avisos de segurança incluídos. Estes riscos podem resultar de má utilização, uso prolongado, etc.

Mesmo com a aplicação dos regulamentos de segurança relevantes e com a implementação de dispositivos de segurança, alguns riscos residuais não podem ser evitados. Incluem:

- ◆ ferimentos causados pelo contacto com peças em rotação/movimento.
- ◆ ferimentos causados durante a troca de peças, lâminas ou acessórios.

- ◆ ferimentos causados pela utilização prolongada de uma ferramenta. Quando utilizar uma ferramenta por períodos prolongados, faça intervalos regulares.
- ◆ diminuição da audição.

problemas de saúde causados pela inalação de poeiras resultantes da utilização da ferramenta (exemplo: trabalhos em madeira, especialmente carvalho, faia e MDF).

Utilização

- ◆ Antes da primeira utilização, a bateria deve ser carregada durante pelo menos 24 horas.
- ◆ Coloque o aparelho na base de carga quando este não estiver a ser utilizado.

Carregar a bateria (fig. D)

- ◆ Certifique-se de que o aparelho está desligado. A bateria não carrega com o interruptor para ligar/desligar (4) na posição ON.
- ◆ Coloque o aparelho na base de carga (7) como é apresentado.
- ◆ Ligue o carregador. Ligue à corrente.

O indicador de carga acenderá.

- ◆ Deixe o aparelho a carregar pelo menos 24 horas.

Ao carregar, o carregador pode aquecer. Isto é normal e não indicia qualquer problema. O aparelho pode ser deixado sempre ligado ao carregador. O indicador de carga ficará aceso desde que o aparelho esteja preso ao carregador ligado na tomada.

Atenção! Não carregue a bateria a temperaturas ambientes abaixo de 4 °C ou acima de 40 °C.

Ligar e desligar (fig. E)

- ◆ Para ligar o aparelho, faça deslizar para a frente o interruptor ligar/desligar (4) para a posição I.
- ◆ Para desligar o aparelho, faça deslizar para trás o interruptor ligar/desligar (4) para a posição 0.

Optimização da potência de sucção (fig. G – I)

Para garantir uma potência de sucção otimizada, os filtros devem ser limpos regularmente durante a utilização.

- ◆ Prima o botão de desbloqueio (6) e abra a porta do depósito (5) (fig. F).
- ◆ Esvazie o recipiente de poeira.

Limpeza e manutenção

A rotação do depósito (fig. A) agita o filtro, de modo a remover a poeira. No entanto, é importante esvaziar o depósito regularmente, removendo os filtros (fig. J).

Atenção! Limpe regularmente os filtros (12 e 13).

Limpeza do depósito de poeiras e filtros (fig. G - K)

Existem dois métodos de limpeza do depósito, o esvaziamento rápido e a limpeza minuciosa. Para executar o método de esvaziamento rápido, siga as seguintes instruções.

Os filtros são re-utilizáveis e devem ser limpos regularmente.

- ◆ Prima o botão de desbloqueio (6) e abra a porta do depósito (5) (fig. F).
- ◆ Esvazie o recipiente de poeira (11).
- ◆ Feche a porta do recipiente de poeira (5). Certifique-se de que o botão de desbloqueio (6) encaixa na posição.

Para executar o método de limpeza minuciosa, siga as seguintes instruções.

O recipiente de poeira (11) está ligado ao corpo do aparelho através de uma fixação tipo baioneta; para remover o recipiente de poeira:

- ◆ Prima o botão de desbloqueio do recipiente de poeira (2), rode o recipiente de poeira (11) no sentido contrário ao dos ponteiros do relógio e faça deslizar, cuidadosamente, o recipiente de poeira para fora do aparelho.
- ◆ Rode o gancho do filtro (12) para a posição vertical (fig. I).
- ◆ Utilize o gancho do filtro (12) para rodar o filtro (13) dentro do pré-filtro (14) para o agitar e remover a poeira.
- ◆ Remova o filtro principal (13).
- ◆ Escove quaisquer poeiras soltas do filtro (13).

O pré-filtro (14) está ligado através de uma fixação tipo baioneta; para remover o pré-filtro:

- ◆ Rode o pré-filtro (14) no sentido contrário ao dos ponteiros do relógio e faça deslizar, cuidadosamente, para fora do recipiente de poeira.
- ◆ Instale o pré-filtro (14) no recipiente de poeira (11), rodando-o no sentido dos ponteiros do relógio até este encaixar no devido lugar.
- ◆ Instale o filtro principal (13) no pré-filtro (14).
- ◆ Instale o recipiente de poeira (11) no aparelho, rode-o no sentido dos ponteiros do relógio até este encaixar no devido lugar.

Atenção! Nunca utilize o aparelho sem filtros. Só será obtida uma excelente recolha das poeiras com os filtros limpos.

Substituição dos filtros

Os filtros deverão ser substituídos a cada 6 a 9 meses e sempre que estiverem gastos ou danificados. Os filtros para substituição estão disponíveis no revendedor Black & Decker (cat. no.VF90):

- ◆ Retire os filtros usados como indicado acima.
- ◆ Coloque os filtros novos como indicado acima.

Protecção do ambiente



Recolha separada. Este produto não pode ser eliminado juntamente com os resíduos domésticos normais.

Se, em algum momento, for necessário substituir este produto Black & Decker ou se este deixar de ter utilidade, não elimine o produto num caixote do lixo. Este produto pode ser separado para reciclagem.



A recolha separada de produtos e embalagens usados permite que os materiais sejam reciclados e reutilizados. A reutilização de materiais reciclados ajuda a evitar a poluição ambiental e reduz a procura de matérias-primas.

A legislação local poderá prever a recolha separada de produtos domésticos eléctricos, seja em lixeiras municipais ou através do revendedor quando adquire um produto novo.

A Black & Decker dispõe de instalações para recolha e reciclagem de produtos Black & Decker quando estes atingem o fim da vida útil. Para usufruir deste serviço, devolva o produto em qualquer agente de reparação autorizado, que os recolherá em seu nome.

Pode verificar a localização do agente de reparação autorizado mais perto de si, contactando os escritórios locais da Black & Decker através do endereço indicado neste manual. Se preferir, pode encontrar na Internet uma lista de agentes de reparação autorizados Black & Decker, detalhes completos e contactos do serviço pós-venda, no endereço: www.2helpU.com.

Dados técnicos

	PV9625N - H1	PV1225NB - H1 PV1225NPM - H1
Tensão	Vcc 9,6	12
Peso	kg 1,52	1,58

	PV1425N - H1	PV1825N - H1
Tensão	Vcc 14,4	18
Peso	kg 1,66	1,76

Carregador	CHA002014B/G
Tensão de entrada	Vca 100-240
Voltagem de saída	Vcc 7,2-24
Corrente de saída	mA 85
Tempo de carga aprox.	h 21
Peso	kg 0,18

Nível de pressão sonora
de acordo com EN 60704-1: <75 dB(A)

Garantia

A Black & Decker confia na qualidade dos seus produtos e oferece uma garantia excelente. Esta declaração de garantia é um complemento dos seus direitos estabelecidos por lei, não os prejudicando de forma alguma. A garantia é válida nos territórios dos Estados Membros da União Europeia e da Associação Europeia de Comércio Livre.

Se um produto Black & Decker se avariar devido a defeitos de material, fabrico ou não conformidade, num período de 24 meses após a data da compra, a Black & Decker garante a substituição de peças defeituosas, a reparação de produtos sujeitos a um desgaste aceitável ou a substituição dos mesmos para garantir o mínimo de inconveniente ao cliente, excepto se:

- ◆ o produto tiver sido utilizado para fins comerciais, profissionais ou de aluguer.
- ◆ o produto tiver sido submetido a utilização indevida ou descuido.
- ◆ o produto tiver sido danificado por objectos estranhos, substâncias ou acidentes.
- ◆ tiverem sido tentadas reparações por pessoas que não sejam agentes de reparação autorizados ou técnicos de manutenção da Black & Decker.

Para accionar a garantia, terá de apresentar comprovativos de compra ao vendedor ou a um agente de reparação autorizado. Pode verificar a localização do agente de reparação autorizado mais perto de si, contactando os escritórios locais da Black & Decker através do endereço indicado neste manual. Se preferir, pode encontrar na Internet uma lista de agentes de reparação autorizados Black & Decker, detalhes completos e contactos do serviço pós-venda, no endereço: **www.2helpU.com**

Visite o nosso website **www.blackanddecker.eu** para registar o novo produto Black & Decker e manter-se actualizado relativamente a novos produtos e ofertas especiais. Pode encontrar mais informações sobre a marca Black & Decker e a nossa gama de produtos em **www.blackanddecker.eu**.

Användningsområde

Din handdammsugare Dustbuster från Black & Decker® har konstruerats för torrdammsugning. Apparaten är endast avsedd för hemmabruk.

Allmänna säkerhetsanvisningar för apparaten



Varning! Vid användning av nätdrivna och sladdlösa apparater ska grundläggande säkerhetsföreskrifter, inklusive följande föreskrifter, alltid följas. Detta för att förhindra brand, stötar, personskador och materialskador.

- ◆ Läs hela den här bruksanvisningen noggrant innan du använder apparaten.
- ◆ Användningsområdet beskrivs i den här bruksanvisningen. Om du använder andra tillbehör eller tillsatser eller utför andra åtgärder med apparaten än de som rekommenderas i den här bruksanvisningen kan det leda till personskador.

Begreppet "apparat" som använts i alla varningar syftar på nätdrivna apparater (med nätsladd) eller batteridrivna (sladdlösa) apparater.

Spara alla säkerhetsföreskrifter och anvisningar för framtida bruk.

Använda apparaten

Var alltid försiktig när du använder apparaten.

- ◆ Håll arbetsområdet rent och väl upplyst. Oordning och dålig belysning på arbetsplatsen kan leda till olyckor.
- ◆ Använd endast apparaten i dagsljus eller i tillräcklig artificiell belysning.
- ◆ För att undvika explosionsrisk bör du inte använda apparaten i omgivningar med brandfarliga vätskor, gaser eller damm.
- ◆ Låt aldrig barn eller personer som inte har läst instruktionerna använda apparaten.
- ◆ Låt inte barn eller djur komma i närheten av arbetsområdet. Låt dem inte heller röra vid apparaten eller elsladden.
- ◆ När du arbetar med apparaten ska barn, åskådare och djur hållas på betryggande avstånd. Om du störs kan du förlora kontrollen.
- ◆ Apparaten ska inte användas som leksak.
- ◆ Doppa aldrig apparaten i vatten.
- ◆ Öppna inte höljet. Det finns inga delar som kan repareras inuti.

Personlig säkerhet

- ◆ Var uppmärksam, se på vad du gör och använd apparaten med förnuft. Använd inte en apparat när du är trött eller om du är påverkad av droger, alkohol eller mediciner. Även en kort stunds ouppmärksamhet under användningen kan leda till allvarliga kroppsskador.

- ◆ Använd personlig skyddsutrustning där det krävs. Rätt använd personlig skyddsutrustning, t.ex. skyddsglasögon, dammfiltermask, halkfria säkerhetsskor, hjälm och hörselskydd, minskar risken för kroppsskada.
- ◆ Undvik oavsiktlig igångsättning. Kontrollera att strömbrytaren står i avstängt läge innan ansluter apparaten till elnätet eller sätter i batteriet samt innan du tar upp eller bär den. Olyckor kan inträffa om du bär apparaten med fingret på strömbrytaren eller kopplar den till nätet eller sätter i batteriet med strömbrytaren i till-läge.
- ◆ Sträck dig inte för långt. Se till att du alltid har säkert fotfäste och balans. På så sätt kan du lättare kontrollera apparaten i oväntade situationer.
- ◆ Bär lämpliga kläder. Bär inte löst hängande kläder eller smycken. Håll undan hår, kläder och handskar från rörliga delar. Löst hängande kläder, smycken och långt hår kan dras in av roterande delar.

Bruk och skötsel av apparaten

- ◆ Kontrollera att apparaten är hel och att den inte innehåller några skadade delar innan du använder den. Kontrollera att inga delar är trasiga, att strömbrytaren fungerar och att inget annat föreligger som kan påverka apparatens funktion.
- ◆ Använd inte apparaten om den inte kan startas och stängas av med strömbrytaren. En apparat som inte kan slås av och på är farlig och måste repareras.
- ◆ Dra stickkontakt ur vägguttaget och/eller ta ur batteriet ur apparaten innan inställningar utförs, tillbehörsdelar byts eller apparaten ställs undan. Därmed undviker du risken för oavsiktlig igångsättning av apparaten.
- ◆ Håll skärverktyg (där det finns) skarpa och rena. Omsorgsfullt skötta skärverktyg med skarp egg fastnar inte så lätt och går lättare att styra.
- ◆ Använd inte apparaten om någon del har skadats eller gått sönder.
- ◆ Reparera eller byt ut skadade eller trasiga delar på en auktoriserad verkstad.
- ◆ Försök aldrig ta bort eller byta ut andra delar än de som anges i den här bruksanvisningen.

Elsäkerhet

- ◆ Apparats stickkontakt måste passa till vägguttaget. Stickkontakten får absolut inte ändras. Använd inte adapterkontakter tillsammans med jordade apparater. Med oförändrade stickkontakter och passande vägguttag minskas risken för elstötar.
- ◆ Skydda apparaten mot regn och väta. Om vatten tränger in en apparat ökar risken för elektriska stötar.

- ◆ Var försiktig med nätsladden. Använd inte sladden för att bära eller dra apparaten och inte heller för att dra ut kontakten ur vägguttaget. Håll nätsladden borta från värme, olja, skarpa kanter och rörliga maskindelar. Risken att du får en elstöt är större om sladdarna är skadade eller tilltrasslade.
- ◆ Använd endast förlängningssladdar som är godkända för utomhusbruk när du arbetar med apparater utomhus. Om du använder en förlängningssladd som är avsedd för utomhusbruk minskar risken för att du ska få en elstöt.
- ◆ Om du måste använda en apparat på en fuktig plats ska ett uttag som skyddas av jordfelsbrytare användas. Jordfelsbrytaren minskar risken för elektriska stötar.

Användning och skötsel av batteridrivna apparat (endast sladdlös)

- ◆ Ladda endast med hjälp av den laddare som tillverkaren rekommenderar. En laddare som passar till en viss sorts batteri kan orsaka eldsvåda om den används med en annan sort.
- ◆ Apparaten ska bara användas med batterier som är speciellt avsedda för ändamålet. Användning av andra batterier kan leda till personskador eller eldsvåda.
- ◆ När batteriet inte används ska du hålla det åtskilt från metallföremål som gem, mynt, nycklar, spik, skruvar och andra små metallföremål som kan orsaka kortslutning mellan batteriets poler. Kortslutning av batteripolerna kan leda till brännskador eller eldsvåda.
- ◆ Om batteriet hanteras ovarsamt kan det tränga ut vätska från batteriet. Undvik kontakt med vätskan. Om du ändå råkar komma i kontakt med vätskan ska du skölja med vatten. Uppsök läkare om du får vätskan i ögonen. Batterivätska kan orsaka irritation eller brännskador.

Efter användning

- ◆ När apparaten inte används ska den förvaras på en torr plats med god ventilation och utom räckhåll för barn.
- ◆ Placera apparaten på ett ställe där barn inte kan komma åt den.
- ◆ När apparaten förvaras eller transporteras i en bil, ska den placeras i bagageutrymmet eller spännas fast för att förhindra rörelse till följd av plötsliga ändringar i hastighet eller riktning.

Säkerhet för andra

- ◆ Verktyget ska inte användas av personer (inklusive barn) med nedsatt fysisk eller mental förmåga eller bristande erfarenhet och kunskap om de inte får vägledning och övervakas av en person som ansvarar för deras säkerhet.
- ◆ Barn ska hållas under uppsikt så att de inte leker med apparaten.

Service

Apparaten ska bara repareras av utbildade reparatörer och med originalreservdelar. Då vet du att apparaten förblir säker.

Ytterligare säkerhetsinstruktioner för batterier och laddare

Batterier

- ◆ Försök aldrig att öppna batterierna.
- ◆ Utsätt inte batteriet för vatten.
- ◆ Utsätt inte batteriet för värme.
- ◆ Förvara inte apparaten på platser där temperaturen kan bli högre än 40 °C.
- ◆ Ladda endast vid lufttemperaturer mellan 10 °C och 40 °C.
- ◆ Ladda endast med hjälp av laddaren som medföljer apparaten. Användning av fel laddare kan resultera i en elektrisk stöt eller att batteriet överhettas.
- ◆ Följ instruktionerna i avsnittet "Miljö" när du gör dig av med batterier.
- ◆ Skydda batteriet från skador/deformeringar i form av slag och stötar eftersom det kan leda till personskador eller eldsvåda.
- ◆ Ladda inte skadade batterier.
- ◆ Under extrema förhållanden kan batterierna läcka. Om det finns vätska på batterierna ska du torka bort vätskan försiktigt med en trasa. Undvik hudkontakt.
- ◆ Vid kontakt med hud eller ögon, följ instruktionerna nedan.

Varning! Batterivätskan kan orsaka person- eller materialskador. Vid hudkontakt, skölj genast med vatten. Vid rodnader, smärta eller irritation ska läkare uppsökas. Vid kontakt med ögon, skölj genast med rent vatten, och uppsök läkare.

Laddare

Laddaren är avsedd för en viss spänning. Kontrollera alltid att nätspänningen överensstämmer med värdet på tpskylten.

Varning! Försök aldrig byta ut kontakten till laddaren mot en vanlig kontakt.

- ◆ Använd laddaren från Black & Decker endast för att ladda batteriet i den apparat som laddaren levererades med. Andra batterier kan spricka och orsaka personskador och andra skador.
- ◆ Försök aldrig att ladda ej uppladdningsbara batterier.
- ◆ Om nätsladden är skadad måste den för undvikande av fara bytas ut av tillverkaren eller en auktoriserad Black & Decker-verkstad.
- ◆ Utsätt inte laddaren för vatten.

- ◆ Öppna inte laddaren.
- ◆ Gör ingen åverkan på laddaren.

Apparaten/verkyget/batteriet ska placeras på en plats med god ventilation vid laddning.

Elsäkerhet



Eftersom laddaren är dubbelisolerad behövs ingen jordledare. Kontrollera alltid att nätspänningen överensstämmer med värdet på typskeyten.

Om nätsladden är skadad måste den för undvikande av fara bytas ut av tillverkaren eller en auktoriserad Black & Decker-verkstad.

Varning! Försök aldrig byta ut kontakten till laddaren mot en vanlig kontakt.

Symboler på laddaren



Eftersom laddaren är dubbelisolerad behövs ingen jordledare.



Säkerhetsisolerande transformator. Elnätet är elektriskt avskilt från transformatorns utgång.



Laddaren är endast avsedd för användning inomhus.

Funktioner

1. Munstycke
2. Låsknapp för dammbehållare
3. Knapp för vinkelledslåset
4. Strömbrytare
5. Dammbehållarlucka
6. Låsspärr för dammbehållarluckan
7. Laddare
8. Utfällbar borste
9. Förlängning

Montering

Ställa in munstycket (fig. A - C)

Munstycket (1) innehåller en borste som kan vikas framåt vid damning och rengöring av stoppade möbler.

- ◆ Munstycket (1) sitter under apparaten. Om du vill ställa in det för användning lyfter du upp apparaten från laddaren (7).
- ◆ Tryck på knappen för vinkelledslåset (3) och rotera munstycket (1) till rätt läge.
- ◆ Lås munstycket på plats genom att släppa knappen för vinkelledslåset (3).

- ◆ Du kan förlänga munstycket genom att dra ut förlängningen (9) tills den låses på plats.
- ◆ Du drar tillbaka förlängningen genom att trycka på knappen (10) och trycka in den i munstycket.
- ◆ Munstycket bör återföras till förvaringsläget under apparaten när apparaten har använts och medan den laddas.

Övriga risker

Ytterligare risker som inte finns med i de bifogade säkerhetsföreskrifterna kan uppstå när verkyget används. Dessa risker kan uppstå vid felaktig eller långvarig användning, etc.

Även om alla relevanta säkerhetsföreskrifter följs och säkerhetsanordningar används kan vissa ytterligare risker inte undvikas. Dessa innefattar:

- ◆ Skador orsakade av att roterande/rörliga delar vidrörs.
- ◆ Skador som uppstår vid byte av delar, blad eller tillbehör.
- ◆ Skador som orsakas av långvarig användning av ett verktyg. Se till att ta regelbundna raster när du använder ett verktyg under en längre period.
- ◆ Skador på hörseln.
- ◆ Hälsorisker orsakade av inandning av damm när verkyget används (exempel: arbete med trä, särskilt ek, bok och MDF).

Användning

- ◆ Innan apparaten används första gången måste batteriet laddas i minst 24 timmar.
- ◆ Placera apparaten i laddaren när den inte används.

Ladda batteriet (fig. D)

- ◆ Kontrollera att apparaten är avstängd. Batteriet laddas inte om strömbrytaren (4) är i läge på.
- ◆ Placera apparaten i laddaren (7) enligt bilden.
- ◆ Anslut laddaren. Slå på den vid eluttaget.

Laddningsindikatorn börjar lysa.

- ◆ Låt apparaten laddas i minst 24 timmar.

Medan apparaten laddas kan laddaren bli varm. Det är normalt och innebär inte att något är fel. Apparaten kan lämnas ansluten till laddaren hur länge som helst.

Laddningsindikatorn lyser när apparaten är ansluten till laddaren och laddaren är ansluten till ett eluttag.

Varning! Ladda inte batteriet om temperaturen är lägre än 4 °C eller högre än 40 °C.

Slå på och av (fig. E)

- ◆ Slå på apparaten genom att dra strömbrytaren (4) till läge I.
- ◆ Slå av apparaten genom att dra strömbrytaren (4) till läge 0.

Optimera sugkraften (fig. G - I)

Filtren bör rengöras regelbundet för att optimera sugkraften.

- ◆ Tryck på låsspärren (6) och öppna luckan till behållaren (5) (fig. F).
- ◆ Töm dammbehållaren.

Rengöra och underhålla

Genom att rotera behållaren (fig. A) skakas filtret och smutsen försvinner. Det är viktigt att tömma behållaren regelbundet genom att ta bort filtren (fig. J).

Varning! Rengör filtren regelbundet (12 och 13).

Rengöra dammbehållaren och filtren (fig. G-K)

Det finns två sätt att rengöra behållaren, en snabbtömning eller en grundlig rengöring. Använd följande instruktioner för snabbtömning.

Filtren kan återanvändas och bör rengöras med jämna mellanrum.

- ◆ Tryck på låsspärren (6) och öppna luckan till behållaren (5) (fig. F).
- ◆ Töm dammbehållaren (11).
- ◆ Stäng dammbehållarluckan (5). Se till att låsspärren (6) klickar på plats.

Använd följande instruktioner för en grundlig rengöring av behållaren.

Dammbehållaren (11) sitter fast i apparatens hölje med bajonettlåsning. Gör så här för att ta bort dammbehållaren:

- ◆ Tryck på dammbehållarens lås knapp (2), rotera dammbehållaren (11) moturs och dra försiktigt ut dammbehållaren från apparaten.
- ◆ Vrid filterhandtaget (12) till upprätt läge (fig. I).
- ◆ Använd filterhandtaget (12) för att rotera filtret (13) inuti förfiltret (14) så att smutsen avlägsnas.
- ◆ Ta bort huvudfiltret (13).
- ◆ Borsta bort eventuellt damm från filtret (13).

Förfiltret (14) sitter fast med en bajonettlåsning. Gör så här för att ta bort förfiltret:

- ◆ Roter förfiltret (14) moturs och ta försiktigt bort det från dammbehållaren.
- ◆ Sätt fast förfiltret (14) i dammbehållaren (11) och vrid det medurs tills det låses på plats.
- ◆ Sätt fast huvudfiltret (13) i förfiltret (14).
- ◆ Sätt fast dammbehållaren (11) på apparaten och vrid den medurs tills den låses på plats.

Varning! Använd aldrig apparaten utan filtren.

Damsugning fungerar bäst med rena filter.

Byta filtren

Filtren bör bytas ut var sjätte till nionde månad, eller om de är utslitna eller trasiga. Filter finns att köpa hos din Black & Decker-återförsäljare (katalognr VF90):

- ◆ Ta loss de gamla filtren enligt beskrivningen ovan.
- ◆ Montera de nya filtren enligt beskrivningen ovan.

Miljö



Separat insamling. Produkten får inte kastas i hushållssoporna.

Tänk på miljön när du slänger denna Black & Decker-produkt. Släng den inte tillsammans med hushållsavfallet. Lämna produkten för separat insamling.



Insamling av uttjänta produkter och förpackningsmaterial gör att material kan återanvändas. Användning av återvunnet material minskar föroreningar av miljön och behovet av råmaterial.

Lokala föreskrifter kan kräva separat insamling av elprodukter från hushållen, vid kommunala insamlingsplatser eller hos återförsäljaren när du köper en ny produkt.

Black & Decker samlar in och återvinner uttjänta Black & Decker-produkter. Om du vill utnyttja denna tjänst återlämnar du produkten till en auktoriserad verkstad, som samlar in den för vår räkning.

För information om närmaste auktoriserade verkstad, kontakta det lokala Black & Decker-kontoret på den adress som är angiven i bruksanvisningen. En lista över alla auktoriserade verkstäder samt servicevillkor finns på Internet: www.2helpU.com.

Tekniska data

	PV9625N - H1	PV1225NB - H1 PV1225NPM - H1
Spänning	Vdc 9,6	12
Vikt	kg 1,52	1,58

	PV1425N - H1	PV1825N - H1
Spänning	Vdc 14,4	18
Vikt	kg 1,66	1,76

Laddare	CHA002014B/G
Inspänning	Vac 100-240
Utspänning	Vdc 7,2-24
Utström	mA 85
Laddningstid cirka	tim 21
Vikt	kg 0,18

Ljudnivå, mätt enligt
EN 60704-1: = 75 dB(A)

Garanti

Black & Decker garanterar att produkten är fri från material- och/eller fabrikationsfel vid leverans till kund. Garantin gäller utöver konsumentens rättigheter enligt lag och påverkar inte dessa. Garantin gäller inom medlemsstaterna i Europeiska Unionen och i det Europeiska Frihandelsområdet.

Om en Black & Decker-produkt går sönder på grund av material- och/eller fabrikationsfel eller brister i överensstämmelse med specifikationen, inom 24 månader från köpet, åtar sig Black & Decker att reparera eller byta ut produkten med minsta besvär för kunden, förutom om:

- ◆ Produkten har använts kommersiellt, yrkesmässigt eller för uthyrning.
- ◆ Produkten har utsatts för felaktig användning eller skötsel.
- ◆ Produkten har skadats av främmande föremål, ämne eller genom olycka.
- ◆ Reparation har utförts av någon annan än en auktoriserad Black & Decker-verkstad.

Vid garantianspråk ska produkten och inköpskvittot lämnas till återförsäljaren eller till en auktoriserad verkstad. För information om närmaste auktoriserade verkstad, kontakta det lokala Black & Decker-kontoret på den adress som är angiven i bruksanvisningen. En lista över alla auktoriserade verkstäder samt servicevillkor finns på Internet:

www.2helpU.com

Besök vår webbplats **www.blackanddecker.se** för att registrera din nya Black & Decker-produkt samt för att erhålla information om nya produkter och specialerbjudanden. Vidare information om märket Black & Decker och vårt produktsortiment återfinns på **www.blackanddecker.se**.

Bruksområde

Den håndholdte støvsugeren Dustbuster® fra Black & Decker er konstruert for lett støvsuging på tørre overflater. Apparatet er bare beregnet for bruk i hjemmet.

Generelle sikkerhetsadvarsler for apparater



Advarsel! Ved bruk av nettdrevne/batteridrevne apparater må grunnleggende sikkerhetsforholdsregler (inkludert punktene som er beskrevet nedenfor) alltid følges for å redusere risikoen for brann, elektrisk støt, personskade og skade på materiell.

- ◆ Les hele denne håndboken nøye før du bruker maskinen.
- ◆ Beregnet bruk er beskrevet i denne håndboken. Hvis du bruker annet tilbehør, kobler til annet utstyr eller bruker dette apparatet til andre oppgaver enn det som er anbefalt i denne håndboken, kan det føre til fare for personskade.

Begrepet "apparat" i advarslene gjelder nettdrevet apparat (med ledning) eller batteridrevet apparat (uten ledning).

Ta vare på alle advarsler og instruksjoner for fremtidig bruk.

Bruke apparatet

Vær alltid forsiktig når du bruker apparatet.

- ◆ Hold arbeidsområdet rent, og ha godt lys der. Rotete eller mørke områder kan lett føre til ulykker.
- ◆ Bruk apparatet bare i dagslys eller godt kunstig lys.
- ◆ Ikke bruk apparatet i eksplosjonsfarlige omgivelser, som for eksempel der det befinner seg brennbare væsker, gass eller støv.
- ◆ La aldri barn eller personer som ikke kjenner instruksjonene, bruke apparatet.
- ◆ Pass på at barn og dyr ikke kommer i nærheten av arbeidsområdet, og at de ikke berører apparatet eller strømledningen.
- ◆ Hold barn, andre personer og dyr unna når du bruker apparatet. Hvis du blir forstyrret under arbeidet, kan du miste kontrollen.
- ◆ Apparatet skal ikke brukes som leketøy.
- ◆ Ikke senk apparatet ned i vann.
- ◆ Ikke åpne apparatet. Det er ingen deler inni som brukere skal behandle.

Personsikkerhet

- ◆ Vær oppmerksom, pass på hva du gjør, og gå fornuftig fram når du bruker et apparat. Ikke bruk et apparat når du er trett eller er påvirket av narkotika, alkohol eller medikamenter. Et øyeblikks uoppmerksomhet under bruk av verktøyet kan føre til alvorlige personskader.

- ◆ Bruk personlig verneutstyr når det er nødvendig. Verneutstyr som beskyttelsesbriller, støvmaske, sklisliske vernesko, hjelm eller hørselsvern som passer til forholdene, reduserer risikoen for personskader.
- ◆ Forhindre utilsiktet start. Kontroller at bryteren står i posisjon "av" før du kobler til strømkilden og/eller batteripakken, og før du tar opp eller bærer apparatet. Det kan føre til ulykker hvis du bærer apparater med fingeren på bryteren, eller tilfører strøm til apparater når bryteren står på.
- ◆ Ikke strekk deg for langt. Pass på at du alltid har sikkert fotfeste og god balanse. Da kan du kontrollere apparatet bedre i uventede situasjoner.
- ◆ Bruk alltid egnede klær. Ikke bruk løstsittende klær eller smykker. Hold hår, klær og hansker unna bevegelige deler. Løstsittende tøy, smykker eller langt hår kan bli sittende fast i bevegelige deler.

Bruk og behandling av apparater

- ◆ Kontroller at apparatet ikke er skadet eller har defekte deler før du bruker det. Kontroller om noen av delene har sprekker, om bryterne er skadet, eller om det er andre forhold som kan ha innvirkning på bruken.
- ◆ Ikke bruk apparatet hvis det ikke kan slås på og av med bryteren. Et apparat som ikke kan slås på eller av med bryteren, er farlig og må repareres.
- ◆ Trekk støpselet ut av stikkontakten og/eller koble batteripakken fra apparatet før du utfører innstillinger, bytter tilbehør eller oppbevarer apparatet. Disse forebyggende sikkerhetstiltakene reduserer risikoen for utilsiktet start av apparatet.
- ◆ Hold skjæreverktøy skarpe og rene der det er aktuelt. Godt vedlikeholdte skjæreverktøy med skarpe egger setter seg ikke så ofte fast og er lettere å føre.
- ◆ Ikke bruk apparatet hvis noen del er skadet eller defekt.
- ◆ Overlat reparasjon eller utskifting av skadde eller defekte deler til et autorisert serviceverksted.
- ◆ Forsøk aldri å fjerne eller skifte ut andre deler enn dem som er oppgitt i denne håndboken.

Elektrisk sikkerhet

- ◆ Apparatstøpselet må passe i stikkontakten. Støpselet må ikke forandres på noen som helst måte. Ikke bruk adapterstøpsler sammen med jordede apparater. Bruk av originale støpsler og passende stikkontakter reduserer risikoen for elektrisk støt.
- ◆ Hold apparatet unna regn eller fuktighet. Dersom det kommer vann inn i et apparat, øker faren for elektrisk støt.
- ◆ Unngå uforsvarlig behandling av ledningen. Bruk aldri ledningen til å bære eller trekke apparatet eller til å trekke ut støpselet. Hold ledningen unna varme, olje,

skarpe kanter eller bevegelige deler. Skadde eller sammenflokede ledninger øker risikoen for elektrisk støt.

- ◆ Når du arbeider utendørs med et apparat, må du bruke en skjøteledning som er egnet for utendørs bruk. Når du bruker en skjøteledning som er egnet for utendørs bruk, reduseres risikoen for elektrisk støt.
- ◆ Hvis du ikke kan unngå å bruke et apparat på et fuktig sted, bruker du strømforsyning som er beskyttet med jordfeilbryter. Bruk av jordfeilbryter reduserer risikoen for elektrisk støt.

Bruk og stell av batteriverktøy (bare apparater uten ledning)

- ◆ Gjenoppladningen skal bare skje med den laderen som produsenten har spesifisert. En lader som er egnet til én type batteripakke, kan føre til brannrisiko når den brukes med en annen batteripakke.
- ◆ Apparater skal bare brukes sammen med spesifiserte batteripakker. Bruk av andre batteripakker kan føre til fare for personskader og brann.
- ◆ Når batteripakken ikke er i bruk, må du oppbevare den atskilt fra andre metallgjenstander som binders, mynter, nøkler, spiker, skruer eller andre små metallgjenstander som kan opprette en forbindelse fra en terminal til en annen. Kortslutning av batteriterminalene kan føre til forbrenning eller brann.
- ◆ Under uheldige forhold kan det lekket væske fra batteriet. Unngå å komme i kontakt med væsken. Dersom du ved et uhell kommer i kontakt med væsken, må du skylle med vann. Får du batterivæske i øynene, må du i tillegg oppsøke lege. Væske som kommer ut av batteriet, kan forårsake irritasjoner eller forbrenninger.

Etter bruk

- ◆ Når apparatet ikke er i bruk, skal det oppbevares på et tørt og godt ventilert sted utilgjengelig for barn.
- ◆ Barn skal ikke ha tilgang til apparater som ikke er i bruk.
- ◆ Når apparatet oppbevares eller transporteres i et kjøretøy, bør den plasseres i bagasjerommet eller festes, slik at den ikke beveger seg når kjøretøyet brått endrer hastighet eller retning.

Andre personers sikkerhet

- ◆ Det er ikke meningen at dette apparatet skal brukes av personer (inkludert barn) med reduserte fysiske, sansemessige eller mentale evner, eller som mangler erfaring og kunnskap, med mindre de har fått oppfølging eller instruksjon når det gjelder bruken av apparatet, fra en person som er ansvarlig for deres sikkerhet.
- ◆ Barn skal være under tilsyn så du er sikker på at de ikke leker med apparatet.

Service

Apparatet skal alltid repareres av kvalifisert personell og kun med originale reservedeler. Dette sikrer at apparatets sikkerhet opprettholdes.

Ytterligere sikkerhetsinstruksjoner for batterier og ladere

Batterier

- ◆ Forsøk aldri å åpne uansett hvilket formål du måtte ha.
- ◆ Ikke utsett batteriet for vann.
- ◆ Ikke utsett batteriet for varme.
- ◆ Skal ikke oppbevares på steder der temperaturen kan overskride 40 °C.
- ◆ Skal lades bare ved omgivelsestemperaturer mellom 10 °C og 40 °C.
- ◆ Bruk bare ladere av typen som følger med maskinen/apparatet. Hvis du bruker feil lader, kan dette føre til et elektrisk støt eller at batteriet overopphetes.
- ◆ Følg instruksjonene i avsnittet "Miljø" når du skal kaste batterier.
- ◆ Ikke skad eller deformer batteripakken ved punktering eller støt, da dette kan føre til risiko for personskade og brann.
- ◆ Ikke lad skadede batterier.
- ◆ Under ekstreme forhold kan det forekomme batterilekkasje. Hvis du oppdager væske på batteriene, må du tørke den forsiktig av med en klut. Unngå kontakt med huden.
- ◆ Hvis væsken kommer i kontakt med huden eller øynene, følger du instruksjonene nedenfor.

Advarsel! Batterivæsken kan føre til personskade eller skade på eiendom. Ved hudkontakt skyller du umiddelbart med vann. Hvis huden blir rød eller irritert eller smerter inntreffer, søk øyeblikkelig medisinsk hjelp. Hvis væsken kommer i kontakt med øynene, skyller du umiddelbart med rent vann og søker øyeblikkelig medisinsk hjelp.

Ladere

Laderen er konstruert for en bestemt spenning. Kontroller alltid at nettspenningen er i overensstemmelse med spenningen på typeskiltet.

Advarsel! Prøv aldri å skifte ut laderen med et vanlig nettstøpsel.

- ◆ Black & Decker-laderen skal bare brukes til å lade batteriet i maskinen/verktøyet som laderen kom sammen med. Andre batterier kan sprekke og føre til personskade og materiell skade.
- ◆ Prøv aldri å lade ikke-oppladbare batterier.
- ◆ Hvis strømledningen blir skadet, må den skiftes av produsenten eller et autorisert Black & Decker-servicesenter for å unngå fare.

- ◆ Ikke utsett laderen for vann.
 - ◆ Ikke åpne laderen.
 - ◆ Ikke stikk gjenstander eller fingre ned i laderen.
- Apparatet/verktøyet/batteriet må plasseres på et sted med god gjennomlufting når det lades.

Elektrisk sikkerhet



Denne laderen er dobbeltisolert. Jording er derfor ikke nødvendig. Kontroller alltid at nettspenningen er i overensstemmelse med spenningen på typeskiltet.

Hvis strømledningen blir skadet, må den skiftes av produsenten eller et autorisert Black & Decker-servicesenter for å unngå fare.

Advarsel! Prøv aldri å skifte ut laderen med et vanlig nettstøpsel.

Symboler på ladeenheten



Denne ladeenheten er dobbeltisolert. Jording er derfor ikke nødvendig.



Sikkerhetsskilleteletransformator. Nettstrømtilførselen er elektrisk skilt fra transformatorutgangen.



Ladeenheten er bare beregnet for bruk innendørs.

Funksjoner

1. Støvoppsamler
2. Utløserknapp for støvbeholder
3. Knapp for vridningslås
4. Av/på-bryter
5. Beholderdør
6. Utløseranordning for beholderdøren
7. Ladeenhet
8. Børste til å vippe ut
9. Forlengelsesstykke for støvoppsamler

Montering

Tilpasning av støvoppsamleren (figur A–C)

Støvoppsamleren (1) har en børste som kan vippes fremover for støvsuging og rengjøring av møbelstoff.

- ◆ Støvoppsamleren (1) oppbevares under apparatet. For å gjøre det klart til bruk løfter du apparatet av ladeenheten (7).
- ◆ Trykk inn knappen (3) for vridningslås og dreii støvoppsamleren (1) til ønsket posisjon.

- ◆ Slipp ut knappen (3) for vridningslåsen for å låse støvoppsamleren i aktuell posisjon.
- ◆ Du kan forlenge støvoppsamleren ved å trekke ut forlengelsesstykket (9) til det låses i posisjon.
- ◆ Forlengelsesstykket kan føres inn igjen ved at du trykker på knappen (10) og skyver forlengelsesstykket tilbake inn i støvoppsamleren.
- ◆ Støvoppsamleren bør dreies til oppbevaringsposisjon under apparatet etter bruk og når apparatet lades.

Andre risikoer

Ved bruk av verktøyet kan det oppstå ytterligere risikoer som kanskje ikke er inkludert i sikkerhetsadvarslene som følger med. Disse risikoene kan bli forårsaket av feil bruk, langvarig bruk osv.

Selv om de relevante sikkerhetsbestemmelsene blir fulgt, og sikkerhetstiltakene blir gjennomført, kan visse gjenværende risikoer ikke unngås. Disse omfatter:

- ◆ Personskader som forårsakes av berøring av en roterende/bevegelig del.
- ◆ Personskader som forårsakes av at en del, et blad eller tilbehør endres.
- ◆ Personskader som forårsakes av langvarig bruk av et verktøy. Når du bruker et verktøy i lange perioder, må du sørge for å ta regelmessige pauser.
- ◆ Svekket hørsel.
- ◆ Helsefarer som forårsakes av innånding av støv som dannes når du bruker verktøyet (eksempel: arbeid med tre, spesielt eik, bøk og MDF).

Bruk

- ◆ Før første gangs bruk skal batteriet lades i minst 24 timer.
- ◆ Sett apparatet i ladeenheten når det ikke er i bruk.

Ladning av batteriet (figur D)

- ◆ Forsikre deg om at apparatet er slått av. Batteriet vil ikke bli ladet hvis av/på-bryteren (4) er i på-stillingen.
- ◆ Sett apparatet i ladeenheten (7) som vist.
- ◆ Sett laderen i stikkkontakten. Slå på strømmen.

Ladningsindikatoren lyser.

- ◆ La apparatet lade i minst 24 timer.

Under ladningen kan laderen bli varm. Dette er normalt og betyr ikke at noe er feil. Apparatet kan være tilkoblet laderen uten tidsbegrensning. Ladningsindikatoren vil lyse så lenge apparatet er tilkoblet den strømførende laderen.

Advarsel! Ikke lad batteriet hvis temperaturen i omgivelsene er under 4 °C eller over 40 °C.

Start og stopp (figur E)

- ◆ Når du skal slå apparatet på, skyver du av/på-bryteren (4) fremover til posisjon I.

- ◆ Når du skal slå apparatet av, skyver du av/på-bryteren (4) bakover til posisjon 0.

Optimalisering av sugekraften (figur G–I)

For å opprettholde best mulig sugekraft må du rengjøre filtrene regelmessig under bruk.

- ◆ Trykk inn utløseranordningen (6) og åpne beholderdøren (5) (figur F).
- ◆ Tøm støvbeholderen.

Rengjøring og vedlikehold

Når du roterer støvbeholderen (figur A) beveges filteret, og smuss blir fjernet. Det er imidlertid viktig å tømme støvbeholderen regelmessig ved å ta ut filtrene (figur J).

Advarsel! Rengjør filtrene regelmessig (12 og 13).

Rengjøring av støvbeholderen og filtrene (figur G–K)

Det er to måter å rengjøre støvoppsamleren på, er rask måte å tømme på og en grundig rengjøringsmetode. Når du skal tømme på den raske måten, bruker du den følgende veiledningen.

Filtrene kan brukes på nytt og bør rengjøres jevnlig.

- ◆ Trykk inn utløseranordningen (6) og åpne beholderdøren (5) (figur F).
- ◆ Tøm støvbeholderen (11).
- ◆ Lukk støvbeholderdøren (5). Sørg for at utløseranordningen (6) klikker på plass.

Når du skal rengjøre støvbeholderen grundig, bruker du den følgende veiledningen.

Støvbeholderen (11) er festet til hoveddelen av apparatet med en bajonettfatning, slik at støvbeholderen kan tas av:

- ◆ Trykk på utløserknappen (2) for beholderen, dreier støvbeholderen (11) mot klokken og skyv støvbeholderen forsiktig av apparatet.
- ◆ Drei filterkroken (12) to vertikal posisjon (figur I).
- ◆ Bruk filterkroken (12) til å rotere filteret (13) i forfilteret (14) for å bevege det og fjerne smuss.
- ◆ Ta ut hovedfilteret (13).
- ◆ Børst alt løst støv av filteret (13).

Forfilteret (14) er festet med en bajonettfatning, slik at det kan tas av:

- ◆ Drei forfilteret (14) mot klokken og skyv det forsiktig av støvbeholderen.
- ◆ Sett forfilteret (14) inn i støvbeholderen (11) ved å dreie det med klokken til det låses på plass.
- ◆ Sett hovedfilteret (13) inn i forfilteret (14).
- ◆ Sett støvbeholderen (11) på apparatet, og dreier den til den låses på plass.

Advarsel! Bruk aldri apparatet uten filtrene. Optimal støvsuging kan bare oppnås med rene filtre.

Utskifting av filtrene

Filtrene bør skiftes ut hver 6.–9. måned og ellers hvis de er slitte eller skadet. Reservefiltre får du hos din Black & Decker-forhandler (kat.nr. VF90):

- ◆ Ta ut de gamle filtrene som beskrevet ovenfor.
- ◆ Sett inn de nye filtrene som beskrevet ovenfor.

Miljø



Separat avfallshåndtering. Dette produktet må ikke kastes sammen med vanlig husholdningsavfall.

Hvis du synes Black & Decker-produktet bør skiftes ut, eller du ikke har bruk for det lenger, må du ikke kaste det sammen med husholdningsavfall. Sørg for separat avfallshåndtering for dette produktet.



Hvis brukte produkter og emballasje leveres atskilt, kan materialer resirkuleres og brukes på nytt. Gjenbruk av resirkulerte materialer bidrar til redusert miljøforurensing og reduserer behovet for råmaterialer.

Det kan være lokale bestemmelser for separat avfallshåndtering for elektriske produkter fra husstander på kommunale avfallsplasser eller hos forhandleren, når du kjøper et nytt produkt.

Black & Decker har en ordning for innsamling og resirkulering av Black & Decker-produkter som ikke skal brukes lenger. Du kan benytte denne tjenesten ved å levere produktet til et hvilket som helst autorisert serviceverksted.

Du kan finne ut hvor nærmeste autoriserte serviceverksted er, ved å kontakte din lokale Black & Decker-avdeling på adressen som er oppgitt i denne håndboken. En oversikt over autoriserte Black & Decker-serviceverksteder og alle opplysninger om ettersalgsservice og kontakter er også tilgjengelig på Internett: **www.2helpU.com**.

Tekniske data

	PV9625N - H1	PV1225NB - H1 PV1225NPM - H1
Spenning	V DC 9,6	12
Vekt	kg 1,52	1,58

	PV1425N - H1	PV1825N - H1
Spenning	V DC 14,4	18
Vekt	kg 1,66	1,76

Lader	CHA002014B/G
Inngangsspenning	V AC 100-240
Utgangsspenning	V DC 7,2-24
Utgangsstrøm	mA 85
Omtrentlig ladetid	t 21
Vekt	kg 0,18

Lydtrykknivå i henhold til
EN 60704-1: = 75 dB(A)

Garanti

Black & Decker er trygg på kvaliteten på sine produkter og tilbyr en enestående garanti. Denne garantierklæringen kommer i tillegg til dine lovbestemte rettigheter og er ikke i konflikt med disse. Garantien er gyldig i EU- og EFTA-medlemsstatene.

Hvis et Black & Decker-produkt går i stykker på grunn av material- og/eller fabrikkasjonsfeil eller har mangler i forhold til spesifikasjonene innen 24 måneder fra kjøpet, påtar Black & Decker seg å skifte ut defekte deler, reparere produkter som har vært utsatt for alminnelig slitasje, eller bytte ut slike produkter med minst mulig vanskelighet for kunden, med mindre:

- ◆ produktet har vært brukt i yrkes-/næringsvirksomhet eller til utleie.
- ◆ produktet har vært utsatt for feilaktig bruk eller forsømmelse.
- ◆ produktet har blitt skadet av fremmede gjenstander eller stoffer eller ved et uhell.
- ◆ andre enn autoriserte serviceverksteder eller Black & Deckers serviceteknikere har forsøk å reparere produktet.

For å ta garantien i bruk må du vise kjøpskvittering til forhandleren eller til et autorisert serviceverksted. Du kan finne ut hvor nærmeste autoriserte serviceverksted er, ved å kontakte din lokale Black & Decker-avdeling på adressen som er oppgitt i denne håndboken. En oversikt over autoriserte Black & Decker-serviceverksteder og alle opplysninger om ettersalgsservice og kontakter er også tilgjengelig på Internett: www.2helpU.com

Besøk vårt webområde www.blackanddecker.no for å registrere ditt nye Black & Decker-produkt og for å holde deg oppdatert om nye produkter og spesialtilbud. Du finner mer informasjon om Black & Decker og produktutvalget vårt på www.blackanddecker.no.

Anvendelsesområde

Din Black & Decker Dustbuster® håndholdte støvsuger er udviklet til let tør støvsugning. Apparatet er kun beregnet til brug i husholdninger.

Generelle sikkerhedsadvarsler for apparatet



Advarsel! Ved brug af apparater, der strømforsynes fra forsyningsnettet/ledningsfri apparater, er det vigtigt, at grundlæggende sikkerhedsforholdsregler, herunder bl.a. nedenstående, altid følges for at mindske risikoen for brand, elektrisk stød, personskade og materiel skade.

- ◆ Læs hele vejledningen omhyggeligt, før du bruger apparatet.
- ◆ Den tilsigtede brug er beskrevet i denne vejledning. Brugen af ekstraudstyr eller tilbehør eller udførelse af andet arbejde med dette apparat end det, der anbefales i denne vejledning, kan udgøre en risiko for personskade.

Begrebet "apparat", der benyttes i nedenstående advarsler, henviser til netdrevne apparater (med netledning) eller batteridrevne apparater (ledningsfri).

Gem alle advarsler og instruktioner til senere brug.

Brug af apparatet

Vær altid opmærksom ved brugen af apparatet.

- ◆ Hold arbejdsområdet rent og godt oplyst. Rodede og uoplyste områder øger risikoen for uheld.
- ◆ Brug kun apparatet i dagslys eller ved god kunstig belysning.
- ◆ Brug ikke apparatet i eksplosive omgivelser, f.eks. hvor der er brændbare væsker, gasser eller støv.
- ◆ Lad ikke børn eller personer, der ikke har læst denne vejledning, benytte apparatet.
- ◆ Lad ikke børn eller dyr komme i nærheden af arbejdsområdet eller røre ved apparatet eller netledningen.
- ◆ Hold børn, omkringstående og dyr på afstand, når der arbejdes med et apparat. Du kan miste kontrollen over værktøjet, hvis du bliver distraheret.
- ◆ Apparatet må ikke bruges som legetøj.
- ◆ Apparatet må ikke nedsænkes i vand.
- ◆ Kabinettet må ikke åbnes. Der er ingen dele inde i kabinettet, som kan serviceres af brugeren.

Personlig sikkerhed

- ◆ Vær opmærksom, hold øje med, hvad du laver, og brug apparatet fornuftigt. Brug ikke et apparat, hvis du er træt eller påvirket af stoffer, medicin eller alkohol. Et øjeblik uopmærksomhed under brug af et apparat kan medføre alvorlig personskader.

- ◆ Brug om nødvendigt personligt sikkerhedsudstyr. Brug af værnemidler som f.eks. øjenbeskyttelse, støvmaske, skridsikert fodtøj, beskyttelseshjelm eller høreværn nedsætter risikoen for personskader, hvis udstyret anvendes korrekt.
- ◆ Sørg for, at værktøjet ikke kan starte utilsigtet. Kontroller, at afbryderkontakten står på slukket, inden apparatet tilsluttes strømkilden og/eller batteriet, samles op eller bæres. Bæres apparatet, mens fingeren er på kontakten, eller tilsluttes det, mens kontakten står på tændt, kan der nemt ske en ulykke.
- ◆ Stræk dig ikke for langt. Sørg for, at du altid har sikkert fodfæste og balance. Så har du bedre styr på apparatet, hvis der opstår uventede situationer.
- ◆ Brug egnet arbejdstøj. Undgå løse beklædningsgenstande eller smykker. Hold hår, tøj og handsker væk fra dele, der bevæger sig. Bevægelige dele kan gribe fat i løst tøj, smykker eller langt hår.

Brug og vedligeholdelse af apparater

- ◆ Kontroller apparatet for beskadigede eller defekte dele før brug. Se efter knækkede dele, skader på kontakter og eventuelle andre tilstande, der kan påvirke apparatets funktion.
- ◆ Brug ikke apparatet, hvis afbryderen er defekt. Apparater, der ikke kan afbrydes, er farligt og skal repareres.
- ◆ Træk stikket ud af stikkontakten og/eller batteriet inden indstilling, tilbehørsudskiftning eller opbevaring af apparatet. Disse sikkerhedsforanstaltninger reducerer risikoen for utilsigtet start af apparatet.
- ◆ Hold skæreværktøj skarpt og rent. Ordentligt vedligeholdt skæreværktøj med skarpe skærekanter sætter sig ikke så hurtigt fast og er nemmere at styre.
- ◆ Brug ikke apparatet med beskadigede eller defekte dele.
- ◆ Få beskadigede eller defekte dele repareret eller udskiftet på et autoriseret værksted.
- ◆ Forsøg aldrig at fjerne eller udskifte dele ud over dem, der er beskrevet i denne vejledning.

Elektricitet og sikkerhed

- ◆ Apparatets stik skal passe til stikkontakten. Stikket må under ingen omstændigheder ændres. Brug ikke adapterstik sammen med jordforbundne apparater. Uændrede stik, der passer til stikkontakterne, nedsætter risikoen for elektrisk stød.
- ◆ Apparatet må ikke udsættes for regn eller fugt. Indtrængen af vand i apparatet øger risikoen for elektrisk stød.

- ◆ Undgå at ødelægge ledningen. Bær, træk eller afbryd ikke apparatet vha. ledningen. Beskyt ledningen mod varme, olie, skarpe kanter eller bevægelige dele. Beskadigede eller sammenfildrede ledninger øger risikoen for elektrisk stød.
- ◆ Hvis et apparat benyttes i det fri, skal der benyttes en forlængerledning, som er godkendt til udendørs brug. Brug af en forlængerledning til udendørs brug nedsætter risikoen for elektrisk stød.
- ◆ Brug en strømkilde med fejlstrømsbeskyttelse, hvis det er nødvendigt at anvende et apparat på fugtige steder. Med en fejlstrømsbeskyttelse reduceres risikoen for elektrisk stød.

Brug og vedligeholdelse af batteridrevne værktøjer (kun ledningsfri apparater)

- ◆ Genoplad kun med den lader, som producenten har angivet. En lader, der er velegnet til én type batteripakke, kan udgøre en brandfare, hvis den bruges til en anden batteripakke.
- ◆ Brug kun apparater sammen med batteripakker, der er specifikt beregnet hertil. Brugen af andre batteripakker kan medføre personskaade og brand.
- ◆ Når batteripakken ikke er i brug, skal den holdes på afstand af andre metalobjekter, f.eks. papirclips, mønter, nøgler, søm, skruer og andre metalobjekter, som kan skabe forbindelse mellem de to poler. Kortslutning af batteriet kan forårsage forbrændinger eller brand.
- ◆ I visse situationer kan batteriet lække. Undgå kontakt. Skyl med vand i tilfælde af kontakt. Søg læge, hvis væsken kommer i kontakt med øjnene. Væske, der lækker fra batteriet, kan forårsage irritation eller forbrændinger.

Efter brug

- ◆ Opbevar apparatet på et tørt, godt ventileret sted uden for børns rækkevidde, når det ikke er i brug.
- ◆ Opbevar apparater utilgængeligt for børn.
- ◆ Når apparatet opbevares eller transporteres i et køretøj, skal det anbringes i bagagerummet eller fastgøres for at forhindre bevægelse som følge af pludselige ændringer i hastighed eller retning.

Andres sikkerhed

- ◆ Dette værktøj må ikke bruges af personer (herunder børn) med nedsatte fysiske, sensoriske eller mentale evner eller manglende erfaring og viden, medmindre det sker under overvågning, eller der gives instruktion i brugen af værktøjet af en person, der er ansvarlig for deres sikkerhed.
- ◆ Børn skal holdes under opsyn, så det sikres, at de ikke leger med værktøjet.

Service

Få altid apparatet repareret af kvalificerede fagfolk med originale reservedele. Dermed opretholdes apparatets sikkerhed.

Yderligere sikkerhedsvejledninger - batterier og opladere

Batterier

- ◆ Forsøg aldrig at åbne uanset årsag.
- ◆ Batteriet må ikke udsættes for fugt.
- ◆ Batteriet må ikke udsættes for varme.
- ◆ Opbevar ikke batterier på steder, hvor temperaturen kan overstige 40°C.
- ◆ Oplad kun ved omgivelsestemperaturer mellem 10°C og 40°C.
- ◆ Brug kun den oplader, der fulgte med apparatet/værktøjet, til opladning. Brug af den forkerte oplader kan medføre elektrisk stød eller overophedning af batteriet.
- ◆ Følg vejledningen i afsnittet "Miljøbeskyttelse" ved bortskaffelse af batterier.
- ◆ Undgå at beskadige/deformere batteripakken ved at punktere den eller slå på den, da dette kan forårsage risiko for tilskadekomst eller brand.
- ◆ Beskadigede batterier må ikke oplades.
- ◆ Under ekstreme forhold kan der forekomme batterilækage. Hvis du bemærker væske på batterierne, skal du omhyggeligt tørre den af med en klud. Undgå kontakt med huden.
- ◆ I tilfælde af kontakt med hud eller øjne, skal du følge nedenstående anvisninger.

Advarsel! Batterivæsken kan forårsage personskaade eller materielle skader. I tilfælde af kontakt med huden skylles straks med vand. Søg læge, hvis der opstår rødme, smerte eller irritation. Skyl straks med rent vand, og søg læge i tilfælde af kontakt med øjnene.

Ladere

Laderen er udviklet til en specifik spænding. Kontroller altid, at netspændingen svarer til spændingen på typeskiltet.

Advarsel! Forsøg aldrig at erstatte laderenheden med et almindeligt netstik.

- ◆ Brug kun din Black & Decker-lader til at oplade batteriet i det apparat/værktøj, som den blev leveret sammen med. Andre batterier kan eksplodere og forårsage personskaade og materiel skade.
- ◆ Forsøg aldrig at oplade ikke-genopladelige batterier.
- ◆ Hvis netledningen beskadiges, skal den udskiftes af producenten eller et autoriseret Black & Decker-værksted, så farlige situationer undgås.
- ◆ Laderen må ikke udsættes for fugt.

- ◆ Laderen må ikke åbnes.
- ◆ Undersøg ikke laderen.

Apparatet/værktøjet/batteriet skal anbringes et sted med god udluftning, når det oplades.

Elektricitet og sikkerhed



Laderen er dobbelt isoleret. Derfor er en jordledning ikke nødvendig. Kontroller altid, at netspændingen svarer til spændingen på typeskiltet.

Hvis netledningen beskadiges, skal den udskiftes af producenten eller et autoriseret Black & Decker-værksted, så farlige situationer undgås.

Advarsel! Forsøg aldrig at erstatte laderenheden med et almindeligt netstik.

Symboler på laderens basisenhed



Laderens basisenhed er dobbelt isoleret. Derfor er en jordledning ikke nødvendig.



Sikkerhedsskilteformer. Netforsyningen er elektrisk adskilt fra transformerudgangen.



Laderens basisenhed er kun beregnet til indendørs brug.

Funktioner

1. Mundstykke
2. Knap til frigørelse af støvbeholderen
3. Låseknap
4. Afbryderkontakt
5. Beholderdæksel
6. Udløserknap til beholderdæksel
7. Laderens basisenhed
8. Udklapsbørste
9. Forlænger til mundstykke

Samling

Justering af mundstykket (fig. A - C)

Mundstykket (1) har en børste, der kan vippe frem ved afstøvning og rengøring af møbler.

- ◆ Mundstykket (1) kan opbevares under apparatet. Løft apparatet ud af laderens basisenhed (7) for at gøre det klar til brug.
- ◆ Tryk på låseknappen (3), og drej mundstykket (1) til den ønskede position.

- ◆ Slip låseknappen (3) for at låse mundstykket fast i denne position.
- ◆ Mundstykket kan forlænges ved at trække i forlængerens til mundstykket (9), til det låses fast.
- ◆ Forlængerens kan trykkes ind igen ved at trykke på knappen (10) og samtidig skubbe forlængerens tilbage ind i mundstykket.
- ◆ Mundstykket skal sættes tilbage i opbevaringspladsen under apparatet efter brug, og mens apparatet genoplades.

Restrisici

Der kan opstå yderligere restrisici under brugen af værktøjet, som ikke kan medtages i vedlagte sikkerhedsadvarsler. Disse risici kan opstå pga. forkert anvendelse, langvarig brug etc.

Selv ved overholdelse af relevante sikkerhedsforskrifter og anvendelse af sikkerhedsudstyr kan visse restrisici ikke undgås. Disse omfatter:

- ◆ Tilskadekomst forårsaget af berøring af roterende/ bevægelige dele.
- ◆ Tilskadekomst forårsaget af udskiftning af dele, blade eller tilbehør.
- ◆ Tilskadekomst forårsaget af langvarig brug af et værktøj. Husk at holde pause jævnligt ved brug af et værktøj i længere tid.
- ◆ Høreskader.
- ◆ Sundhedsrisici forårsaget af indånding af støv, der genereres ved brug af værktøjet (eksempel: Arbejde med træ, især, eg, bøg og MDF).

Anvendelse

- ◆ Før første ibrugtagning skal batteriet oplades i mindst 24 timer.
- ◆ Sæt apparatet i laderens basisenhed, når det ikke er i brug.

Opladning af batteriet (fig. D)

- ◆ Kontroller, at apparatet er slukket. Batteriet oplades ikke, når afbryderkontakten (4) er i tændt position.
- ◆ Sæt apparatet i basisenheden (7) som vist.
- ◆ Tilslut laderen. Tænd på stikkontakten.

Ladeindikatoren lyser.

- ◆ Lad apparatet lade i mindst 24 timer.

Under opladningen kan laderen blive varm. Dette er helt normalt og ikke tegn på et problem. Apparatet kan være tilsluttet til laderen i længere perioder. Ladeindikatoren lyser, så længe apparatet er sluttet til laderen, der er sat i stikkontakten.

Advarsel! Batteriet må ikke oplades i omgivelsestemperaturer under 4 °C eller over 40 °C.

Start og stop (fig. E)

- ◆ Tænd apparatet ved at skubbe afbryderkontakten (4) fremad til position I.
- ◆ Sluk apparatet ved at skubbe afbryderkontakten (4) tilbage til position 0.

Optimering af sugeseffekten (fig. G - I)

For at sikre optimal sugeseffekt skal filtrene rengøres regelmæssigt under brug.

- ◆ Tryk på udløserknappen (6) for at åbne beholderdækslet (5) (fig. F).
- ◆ Tøm støvbeholderen.

Rengøring og vedligeholdelse

Når beholderen drejes (fig. A) aktiveres rensningen af filteret for snavs. Det er dog vigtigt at tømme beholderen regelmæssigt ved at fjerne filtrene (fig. J).

Advarsel! Rengør filtrene (12 og 13) regelmæssigt.

Rengøring af støvbeholderen og filtrene (fig. G - K)

Beholderen kan rengøres på to måder: Hurtig tømning og omhyggelig rengøring. Følg nedenstående vejledning for at foretage en hurtig tømning.

Filtrene er genanvendelige og skal rengøres regelmæssigt.

- ◆ Tryk på udløserknappen (6) for at åbne beholderdækslet (5) (fig. F).
- ◆ Tøm støvbeholderen (11).
- ◆ Luk støvbeholderdækslet (5). Kontroller, at udløserknappen (6) låser på plads.

Følg nedenstående vejledning for at foretage en omhyggelig rengøring af beholderen.

Støvbeholderen (11) er monteret på apparat med en bajonetlås. Fjern støvbeholderen som følger:

- ◆ Tryk på knappen (2) til frigørelse af til støvbeholderen, drej støvbeholderen (11) mod uret, og skub den forsigtigt af apparatet.
- ◆ Drej filterkrogen (12) til lodret stilling (fig. I).
- ◆ Brug filterkrogen (12) til at dreje filteret (13) i forfilteret (14) for at aktivere rensningen af det.
- ◆ Fjern hovedfilteret (13).
- ◆ Børst eventuelt løstsiddende støv af filteret (13).

Forfilteret (14) er monteret en bajonetlås. Fjern forfilteret som følger:

- ◆ Drej forfilteret (14) mod uret, og træk det forsigtigt fri af støvbeholderen.
- ◆ Monter forfilteret (14) i støvbeholderen (11), og drej det med uret, til det låses på plads.
- ◆ Monter hovedfilteret (13) i forfilteret (14).
- ◆ Monter støvbeholderen (11) på apparatet, og drej den med uret, til den låses på plads.

Advarsel! Apparatet må aldrig bruges uden filtrene. Optimal støvsugning kan kun opnås med rene filtre.

Udskiftning af filtrene

Filtrene skal udskiftes hver 6. til 9. måned, og i øvrigt hvis de bliver slidte eller beskadiget. Udskiftningsfiltre fås hos Black & Decker-forhandleren (katalognr. VF90):

- ◆ Tag de gamle filtre ud af apparatet som beskrevet ovenfor.
- ◆ Sæt de nye filtre i apparatet som beskrevet ovenfor.

Miljø

Særlig bortskaffelse. Dette produkt må ikke bortskaffes sammen med almindeligt husholdningsaffald.

Når dit Black & Decker-produkt en dag er udtjent, eller du ikke længere har brug for det, må du ikke smide det ud sammen med det almindelige affald. Produktet skal bortskaffes separat.



Ved separat bortskaffelse af brugte produkter og emballage bliver der mulighed for at genanvende forskellige materialer. Genanvendelse af materialer medvirker til at forebygge miljøforurening og mindsker behovet for råstoffer.

Lokal lovgivning kan kræve separat indsamling af elektriske husholdningsapparater på kommunale affaldsdepoter eller af den detailhandlende ved køb af et nyt produkt.

Black & Decker sørger for at indsamle og genanvende Black & Decker-produkter, når disse ikke længere kan bruges. Hvis du vil benytte dig af denne service, skal du returnere produktet til et autoriseret værksted, der indsamler produkterne for os.

Kontakt det lokale Black & Decker-kontor på den adresse, der er angivet i denne vejledning, for at få oplysninger om nærmeste autoriserede værksted. En liste over alle autoriserede Black & Decker-serviceværksteder samt servicevilkår og kontaktpersoner er tilgængelig på internettet på adressen: www.2helpU.com.

Tekniske data

	PV9625N - H1	PV1225NB - H1 PV1225NPM - H1
Spænding	Vdc 9,6	12
Vægt	kg 1,52	1,58

	PV1425N - H1	PV1825N - H1
Spænding	Vdc 14,4	18
Vægt	kg 1,66	1,76

Lader	CHA002014B/G
Indgangsspænding	Vac 100-240
Udgangsspænding	Vdc 7,2-24
Udgangsstrømstyrke	mA 85
Ladetid ca.	t 21
Vægt	kg 0,18

Lydtrykniveau i henhold
til EN 60704-1: = 75 dB(A)

Garanti

Black & Decker garanterer, at produktet er fri for skader og fejl og tilbyder en fremragende garanti. Garantien er et tillæg til forbrugers lovsikrede rettigheder og påvirker ikke disse. Garantien gælder inden for medlemsstaterne af den Europæiske Union og i det Europæiske Frihandelsområde.

Hvis et Black & Decker-produkt går i stykker på grund af materiel skade og/eller fabrikationsfejl eller på anden måde ikke fungerer i overensstemmelse med specifikationen inden for 24 måneder fra købsdatoen, påtager Black & Decker sig at reparere eller ombytte produktet med mindst mulig ulempe for kunden. Garantien gælder ikke for fejl og mangler, der er sket i forbindelse med:

- ◆ Produktet har været anvendt erhvervsmæssigt eller til udlejning.
- ◆ Produktet har været anvendt forkert eller er ikke vedligeholdt.
- ◆ Produktet er beskadiget af fremmedlegemer, substanser eller pga. uheld.
- ◆ Garantien gælder ikke, hvis reparationer er udført af andre end et autoriseret Black & Decker-værksted.

For at udnytte garantien skal produktet og købskvitteringen indleveres til forhandleren eller til et autoriseret værksted. Kontakt det lokale Black & Decker-kontor på den adresse, der er opgivet i denne vejledning, for at få oplysninger om nærmeste autoriserede værksted. En liste over alle autoriserede Black & Decker-serviceværksteder samt servicevilkår og kontaktpersoner er tilgængelig på internettet på adressen: **www.2helpU.com**

Gå venligst ind på vores website **www.blackanddecker.dk** for at registrere dit nye produkt og for at blive holdt ajour om nye produkter og specialtilbud. Der findes yderligere oplysninger om mærket Black & Decker og vores produktsortiment på adressen **www.blackanddecker.dk**.

Käyttötarkoitus

Black & Decker Dustbuster® -rikkaimuri on tarkoitettu kevyeen kuivaimurointiin. Laite on tarkoitettu ainoastaan kotitalouskäyttöön.

Laitteiden yleiset turvavaroitukset



Varoitus! Sähkölaitteita / johdottomia laitteita käytettäessä on aina noudatettava asianmukaisia turvaohjeita, jotta tulipalojen, sähköiskujen, henkilövahinkojen ja materiaalivaurioiden riski olisi mahdollisimman pieni.

- ◆ Lue nämä ohjeet huolellisesti ennen laitteen käyttöä.
- ◆ Käyttötarkoitus kuvataan ohjeissa. Muiden kuin ohjeissa suositeltujen lisävarusteiden tai -osien käyttö sekä laitteen käyttö muuhun kuin oppaassa suositeltuun tarkoitukseen voi aiheuttaa henkilövahingon vaaran.

Varoituksissa käytetty käsite "laite" tarkoittaa verkkokäyttöisiä laitteita (joissa on verkkojohto) tai akkukäyttöisiä laitteita (joissa ei ole verkkojohtoa).

Säästä kaikki varoitukset ja ohjeet tulevaa käyttöä varten.

Laitteen käyttö

Ole aina huolellinen käyttäessäsi laitetta.

- ◆ Pidä työalue puhtaana ja hyvin valaistuna. Työpaikan epäjärjestys ja valaisemattomat työalueet voivat johtaa tapaturmiin.
- ◆ Käytä laitetta vain päivänvalossa tai hyvin valaistulla alueella.
- ◆ Älä käytä laitetta räjähdysalttiissa ympäristössä, jossa on palavaa nestettä, kaasua tai pölyä.
- ◆ Älä koskaan anna lasten tai kenenkään, joka ei ole lukenut käyttöohjetta, käyttää laitetta.
- ◆ Älä anna lasten tai eläinten tulla lähelle työskentelyaluetta tai koskea laitteen virtajohtoon.
- ◆ Pidä lapset, sivulliset ja eläimet loitolla laitetta käyttäessäsi. Voit menettää laitteesi hallinnan huomiosi suuntautuessa muualle.
- ◆ Laitetta ei tule käyttää leluna.
- ◆ Älä upota laitetta veteen.
- ◆ Älä avaa laitteen koteloa. Sen sisällä ei ole käyttäjän huollettavissa olevia osia.

Henkilöturvallisuus

- ◆ Ole valpas, keskity työhön ja noudata tervettä järkeä laitteen käytössä. Älä käytä laitetta, jos olet väsynyt tai huumeiden, alkoholin tai lääkkeiden vaikutuksen alaisena. Hetken tarkkaamattomuus laitetta käytettäessä saattaa johtaa vakavaan loukkaantumiseen.

- ◆ Käytä tarvittaessa henkilökohtaisia suojarusteita. Suojarusteet, kuten suojalasit, hengityssuojain, luistamattomat turvajalkineet, kypärä ja kuulosuojaimet, pienentävät loukkaantumisriskiä, jos niitä käytetään tilanteen mukaan oikein.
- ◆ Vältä tahatonta käynnistämistä. Varmista, että virta on katkaistu käyttökylkimellä, ennen kuin liität laitteen virtalähteeseen ja/tai akkuun, nostat laitteen tai kannat sitä. Onnettomuusvaara lisääntyy, jos kannat laitetta sormi käyttökylkimellä tai kytket laitteen virtajohtoon pistorasiaan, kun käyttökylki on päällä.
- ◆ Älä kurkota. Seiso aina tukevasti ja tasapainossa. Niin voit paremmin hallita laitetta odottamattomissa tilanteissa.
- ◆ Käytä tarkoitukseen sopivia vaatteita. Älä käytä välijiä työvaatteita tai koruja. Pidä hiukset, vaatteet ja käsineet loitolla liikkuvista osista. Väljät vaatteet, korut ja pitkät hiukset voivat takertua liikkuviin osiin.

Laitteiden käyttö ja hoito

- ◆ Tarkista ennen laitteen käyttöä, ettei laitteessa ole vahingoittuneita tai viallisia osia. Tarkista osien ja kytkimien kunto sekä muut seikat, jotka voivat vaikuttaa laitteen toimintaan.
- ◆ Älä käytä laitetta, jota ei voida käynnistää ja pysäyttää virtakytkimestä. Laite, jota ei enää voida käynnistää ja pysäyttää käynnistyskytkimellä, on vaarallinen, ja se täytyy korjata.
- ◆ Irrota pistotulppa pistorasiasta ja/tai akku laitteesta, ennen kuin suoritat säätöjä, vaihdat tarvikkeita tai siirät laitteen varastoitavaksi. Tällä tavoin pienennetään laitteen tahattoman käynnistyksen mahdollisuutta.
- ◆ Pidä mahdolliset leikkausterät terävinä ja puhtaina. Huolellisesti hoidetut leikkausterät, joiden leikkausreunat ovat teräviä, eivät tartu helposti kiinni, ja niitä on helpompi hallita.
- ◆ Älä käytä laitetta, jos jokin osa on vahingoittunut tai viallinen.
- ◆ Korjauta tai vaihdata vaurioituneet tai vialliset osat valtuutetussa huoltoliikkeessä.
- ◆ Älä koskaan yritä korjata tai vaihtaa muita kuin tässä käyttöohjeessa erikseen määriteltyjä osia.

Sähköturvallisuus

- ◆ Laitteen pistokkeen tulee sopia pistorasiaan. Pistoketta ei saa muuttaa millään tavalla. Älä käytä maadoitetuissa laitteissa mitään pistorasiasovittimia. Alkuperäiset pistokkeet ja niille sopivat pistorasiat vähentävät sähköiskun vaaraa.
- ◆ Älä käytä laitetta sateessa tai märissä olosuhteissa. Laitteen sisään joutunut vesi voi aiheuttaa sähköiskun.

- ◆ Älä käsittele virtajohtoa kovakouraisesti. Älä käytä sitä laitteen kantamiseen, vetämiseen tai pistokkeen irrottamiseen pistorasiasta. Pidä johto loitolla kuumuudesta, öljystä, terävistä reunoista ja liikkuvista osista. Vahingoittuneet tai sotkeutuneet johdot lisäävät sähköiskun vaaraa.
- ◆ Käyttäessäsi laitetta ulkona käytä ainoastaan ulkokäyttöön soveltuvaa jatkojohtoa. Ulkokäyttöön soveltuvan jatkojohdon käyttö pienentää sähköiskun vaaraa.
- ◆ Jos laitetta on välttämättä käytettävä kosteassa paikassa, käytä jäännösvirtalaitteella (RCD) suojattua virtalähdettä. Jäännösvirtalaitteen käyttö vähentää sähköiskun vaaraa.

Akkukäyttöisten työkalujen käyttö ja hoito (vain verkkojohdottomat laitteet)

- ◆ Lataa akku vain valmistajan määrittelemässä laturissa. Laturi, joka soveltuu määrätyn tyyppiselle akulle, saattaa muodostaa tulipalovaaran erilaista akkua ladattaessa.
- ◆ Käytä laitteissa ainoastaan kyseiseen laitteeseen tarkoitettua akkua. Muun tyyppisen akun käyttö saattaa johtaa loukkaantumiseen ja tulipaloon.
- ◆ Pidä irrallinen akku loitolla metalliesineistä, kuten paperinliittimistä, kolikoista, avaimista, nauloista, ruuveista tai muista pienistä metalliesineistä, jotka voivat oikosulkea akun koskettimet. Akun koskettimien välinen oikosulku saattaa aiheuttaa palovammoja tai tulipalon.
- ◆ Väärin käytetystä akusta voi vuotaa nestettä. Älä kosketa sitä. Jos nestettä pääsee vahingossa iholle, huuhtelee kosketuskohta vedellä. Jos nestettä pääsee silmiin, tarvitaan lisäksi lääkärin apua. Akusta vuotava neste saattaa aiheuttaa ärsytystä ja palovammoja.

Käytön jälkeen

- ◆ Kun laitetta ei käytetä, säilytä sitä kuivassa, hyvin tuuletetussa paikassa poissa lasten ulottuvilta.
- ◆ Pidä laite lasten ulottumattomissa.
- ◆ Kun laitetta säilytetään tai kuljetetaan ajoneuvossa, sijoita se tavaratilaan tai kiinnitä se kunnolla, ettei se matkan aikana pääse liikkumaan.

Muiden turvallisuus

- ◆ Tätä työkalua ei ole tarkoitettu sellaisten henkilöiden käyttöön, joilla on fyysisiä tai älyllisiä rajoitteita tai aistirajoitteita, eikä laitteen toimintaan perehtymättömien henkilöiden käyttöön (lapset mukaan luettuina), paitsi valvonnan alaisina tai jos he ovat saaneet laitteen käyttöön liittyvää opastusta heidän turvallisuudestaan vastaavalta henkilöltä.
- ◆ Lapsia on valvottava ja heitä on estettävä leikkimästä laitteella.

Huolto

Korjauta laite koulutetulla ja ammattitaitoisella henkilöllä ja hyväksy korjauksiin vain alkuperäisiä varaosia. Siten varmistat, että laite säilyy turvallisena.

Akkua ja laturia koskevat turvaohjeet

Akku

- ◆ Älä koskaan yritä avata akkua.
- ◆ Älä anna akun kastua.
- ◆ Älä altista akkua kuumuudelle.
- ◆ Älä säilytä akkua tiloissa, joissa lämpötila voi nousta yli 40 °C:n.
- ◆ Lataa akku paikassa, jonka lämpötila on vähintään 10 °C ja enintään 40 °C.
- ◆ Käytä akun lataamiseen vain laitteen mukana toimitettua laturia. Väärän tyyppinen laturi voi aiheuttaa sähköiskun tai akun ylikuumenemisen.
- ◆ Noudata akkujen hävittämisessä kohdassa Ympäristönsuojelu esitettyjä ohjeita.
- ◆ Suojaa akkua vahingoittumiselta niin, ettei sen kotelo rikkoudu eikä siihen kohdistu iskuja, sillä muutoin voi syntyä henkilövahinkojen ja tulipalon vaara.
- ◆ Älä lataa viallisia akkuja.
- ◆ Vaativissa oloissa voi ilmetä akkuvuotoja. Jos havaitset akkujen pinnalla nestettä, pyyhi se huolellisesti pois. Vältä ihokosketusta.
- ◆ Jos nestettä joutuu silmiin tai iholle, noudata alla olevia ohjeita.

Varoitus! Akkuneste voi aiheuttaa aineellisia vahinkoja tai henkilövahinkoja. Jos nestettä joutuu iholle, se on välittömästi huuhdeltava pois vedellä. Jos ihoa kirvelee tai se punottaa tai on muuten ärtynyt, kysy lisäohjeita lääkäriltä. Jos nestettä joutuu silmiin, huuhto välittömästi puhtaalla vedellä ja mene lääkäriin.

Laturit

Laturi on tarkoitettu tietylle jännitteelle. Tarkista aina, että verkkojännite vastaa arvokilvessä ilmoitettua jännitettä.

Varoitus! Älä yritä korvata laturiyksikköä tavallisella verkkopistokkeella.

- ◆ Käytä Black & Deckerin laturia vain laitteen/työkalun mukana toimitetun akun lataamiseen. Muut akut voivat räjähtää ja aiheuttaa henkilövahinkoja tai aineellisia vahinkoja.
- ◆ Älä koskaan yritä ladata akkuja, joita ei ole tarkoitettu ladattaviksi.
- ◆ Jos virtajohto vahingoittuu, sen vaihtaminen tulee turvallisuusyistä jättää valmistajan tai valtuutetun Black & Decker -huollon tehtäväksi.
- ◆ Älä altista laturia vedelle.

- ◆ Älä avaa laturia.
- ◆ Älä työnnä mitään laturin sisään.

Lataa laite/työkalu/akku paikassa, jossa on kunnollinen ilmanvaihto.

Sähköturvallisuus



Laturi on kaksoiseristetty, joten erillistä maadoitusta ei tarvita. Tarkista aina, että verkkojännite vastaa arvokilvessä ilmoitettua jännitettä.

Jos virtajohto vahingoittuu, sen vaihtaminen tulee turvallisuussyistä jättää valmistajan tai valtuutetun Black & Decker -huollon tehtäväksi.

Varoitus! Älä yritä korvata laturiyksikköä tavallisella verkkopistokkeella.

Laturin merkinnät



Laturi on kaksoiseristetty; joten erillistä maadoitusta ei tarvita.



Turvallinen eristävä muuntaja. Muuntajalähtö on eristetty sähköisesti sähköverkosta.



Laturi on tarkoitettu ainoastaan sisäkäyttöön.

Yleiskuvaus

1. Pölynkerääjä
2. Pölysäiliön vapautuspainike
3. Taittolukituksen painike
4. Virtakytkin
5. Säiliön luukku
6. Säiliön luukun vapautussalpa
7. Laturi
8. Esiin siirrettävä harja
9. Pölynkerääjän jatkokappale

Kokoaminen

Pölynkerääjän säätö (kuvat A–C)

Pölynkerääjässä (1) on harja, jonka voi taittaa eteenpäin pölyn poistamista ja verhoilun puhdistamista varten.

- ◆ Pölynkerääjä (1) on laitteen alaosassa. Säädä se käyttöä varten nostamalla laite laturista (7).
- ◆ Paina taittolukituksen painiketta (3) ja käännä pölynkerääjä (1) oikeaan asentoon.
- ◆ Lukitse pölynkerääjän asento vapauttamalla taittolukituksen painike (3).

- ◆ Pölynkerääjän voi pidentää vetämällä jatkokappaletta (9), kunnes se lukittuu paikoilleen.
- ◆ Jatkokappaleen voi palauttaa paikalleen painamalla painiketta (10) ja työntämällä jatkokappaleen takaisin pölynkerääjän sisään.
- ◆ Pölynkerääjä on asetettava säilytysasentoon laitteen alaosaan käytön jälkeen ja latauksen ajaksi.

Jäännösriskit

Jäännösriskit ovat mahdollisia, jos käytät työkalua muulla kuin turvavaroituksissa mainitulla tavalla. Nämä riskit voivat liittyä muun muassa virheelliseen tai pitkäaikaiseen käyttöön.

Tiettyjä jäännösriskejä ei voi välttää, vaikka noudatat kaikkia turvamääräyksiä ja käytät turvalaitteita. Näihin kuuluvat muun muassa

- ◆ pyörivien tai liikkuvien osien koskettamisen aiheuttamat vahingot
- ◆ osia, teriä tai lisävarusteita vaihdettaessa aiheutuneet vahingot
- ◆ työkalun pitkäaikaisen käytön aiheuttamat vahingot Kun käytät työkalua pitkään, varmista, että pidät säännöllisesti taukoja.
- ◆ kuulovauriot
- ◆ työkalua käytettäessä (esimerkiksi puuta, erityisesti tammea, pyökkiä ja MDF-levyjä, käsiteltäessä) syntyneen pölyn sisäänhengityksen aiheuttamat terveysriskit.

Käyttö

- ◆ Ennen ensimmäistä käyttökertaa akkua on ladattava vähintään 24 tuntia.
- ◆ Aseta laite laturiin aina, kun et käytä laitetta.

Akun lataaminen (kuva D)

- ◆ Varmista, että laite on kytketty pois päältä. Akku ei lataudu, jos laitteen virta on kytkettynä virtakytkimestä (4).
- ◆ Aseta laite laturiin (7) kuvan osoittamalla tavalla.
- ◆ Kytke laturi pistorasiaan. Kytke virta.

Lataustilan ilmaisin syttyy.

- ◆ Anna laitteen latautua vähintään 24 tuntia.

Laitte saattaa lämmetä latautuessaan. Tämä on normaalia eikä ole merkki ongelmasta. Laitte voidaan jättää laturiin vaikka kuinka pitkäksi aikaa. Lataustilan ilmaisin palaa niin kauan kuin laite on pistorasiaan liitettyssä laturissa.

Varoitus! Älä lataa akkua, jos ympäröivä lämpötila on alle +4 °C tai yli +40 °C.

Käynnistys ja pysäytys (kuva E)

- ◆ Käynnistä laite siirtämällä virtakytkin (4) eteenpäin asentoon I.

- ◆ Sammuta laite siirtämällä virtakytkin (4) takaisin asentoon 0.

Imutehon optimointi (kuvat G–I)

Jotta imuteho pysyisi mahdollisimman hyvänä, suodattimet on puhdistettava säännöllisesti käytön aikana.

- ◆ Paina vapautussalpa (6) ja avaa säiliön luukku (5) (kuva F).
- ◆ Tyhjennä pölysäiliö.

Puhdistus ja hoito

Astian (kuva A) kiertäminen ravistaa suodatinta ja irrottaa lian. On kuitenkin tärkeää tyhjentää astia säännöllisesti irrottamalla suodattimet (kuva J).

Varoitus! Puhdista suodattimet (12 ja 13) säännöllisesti.

Pölysäiliön ja suodattimien puhdistus (kuvat G–K)

Astia voidaan puhdistaa joko nopeasti tyhjentämällä tai perusteellisesti. Seuraavissa ohjeissa kerrotaan nopeasta tyhjennyksestä.

Suodattimet ovat uudelleen käytettäviä, ja ne on puhdistettava säännöllisesti.

- ◆ Paina vapautussalpa (6) ja avaa säiliön luukku (5) (kuva F).
- ◆ Tyhjennä pölysäiliö (11).
- ◆ Sulje pölysäiliön luukku (5). Varmista, että vapautussalpa (6) napsahtaa paikalleen.

Seuraavissa ohjeissa kerrotaan astian perusteellisesta puhdistuksesta.

Pölysäiliö (11) on kiinni laitteen rungossa pikaliittimellä.

Pölysäiliön irrotus:

- ◆ Paina pölysäiliön vapautuspainiketta (2) ja kierrä pölysäiliötä (11) vastapäivään ja liu'uta pölysäiliö varovasti irti laitteesta.
- ◆ Käännä suodatinkoukku (12) pystyasentoon (kuva I).
- ◆ Käytä suodatinkoukku (12) ja kierrä suodatinta (13) esisuodattimen (14) sisällä suodattimen ravistamiseksi ja lian poistamiseksi.
- ◆ Irrota pääsuodatin (13).
- ◆ Harjaa kaikki irtopöly pois suodattimesta (13).

Esisuodatin (14) on kiinni pikaliittimellä. Esisuodattimen irrotus:

- ◆ Käännä esisuodatinta (14) vastapäivään ja liu'uta se varovasti irti pölysäiliöstä.
- ◆ Asenna esisuodatin (14) pölysäiliöön (11) ja käännä sitä myötäpäivään, kunnes se lukkiutuu paikalleen.
- ◆ Asenna pääsuodatin (13) esisuodattimeen (14).
- ◆ Asenna pölysäiliö (11) laitteeseen ja käännä sitä myötäpäivään, kunnes se lukkiutuu paikalleen.

Varoitus! Älä koskaan käytä laitetta ilman suodattimia. Parhaan puhdistustuloksen saa vain, kun suodattimet ovat puhtaat.

Suodattimien vaihtaminen

Suodattimet on hyvä vaihtaa 6–9 kuukauden välein ja aina, kun ne ovat kuluneet tai vahingoittuneet. Vaihtosuodattimia saat Black & Decker -jälleenmyyjältä (tuotenro VF90).

- ◆ Poista vanhat suodattimet yllä kuvatulla tavalla.
- ◆ Aseta uudet suodattimet paikalleen yllä kuvatulla tavalla.

Ympäristö



Erillinen keräys. Tätä tuotetta ei saa hävittää normaalin kotitalousjätteen kanssa.

Kun Black & Decker -laitteesi aikanaan täytyy vaihtaa tai ei kelpaa enää käyttöön, älä hävitä laitetta kotitalousjätteen mukana. Toimita laite kierrätettäväksi.



Käytettyjen tuotteiden ja pakkausmateriaalien erilliskeruun avulla materiaalit voidaan kierrättää ja käyttää uudelleen. Kierrätysmateriaalien käyttö auttaa vähentämään ympäristön saastumista ja uusien raaka-aineiden tarvetta.

Paikallisissa säädöksissä voidaan määrätä, että kodin sähkötuotteiden keruu tapahtuu kaupunkien jätteidenkäsittelyasemilla tai laitteita myyvissä liikkeissä uuden tuotteen oston yhteydessä.

Kun laitteesi on käytetty loppuun, älä hävitä sitä tavallisten roskien mukana, vaan vie se paikkakuntasi kierrätyskeskukseen tai jätä se valtuutettuun Black & Deckerin huoltoliikkeeseen.

Tiedot valtuutetuista huoltoliikkeistä saa ottamalla yhteyttä Black & Decker Oy:hyn. Valtuutettujen Black & Decker -huoltoliikkeiden yhteystiedot sekä lisätietoja palveluistamme ja takuuehdoista on myös Internetissä osoitteessa: www.2helpU.com.

Tekniset tiedot

	PV9625N - H1	PV1225NB - H1 PV1225NPM - H1
Jännite	V DC 9,6	12
Paino	kg 1,52	1,58

	PV1425N - H1	PV1825N - H1
Jännite	V DC 14,4	18
Paino	kg 1,66	1,76

Laturi	CHA002014B/G
Syöttöjännite	V AC 100-240
Lähtöjännite	V DC 7,2-24
Latausvirta	mA 85
Arvioitu latausaika	h 21
Paino	kg 0,18

Äänenpaineen taso mitattuna
EN 60704-1:n mukaisesti: = 75 dB(A)

Takuu

Black & Decker takaa, ettei tuotteessa ole materiaali- ja/tai valmistusvikaa silloin, kun se toimitetaan ostajalle. Takuu on lisäys kuluttajan laillisiin oikeuksiin eikä vaikuta niihin. Takuu on voimassa Euroopan unionin jäsenmaissa ja Euroopan vapaakauppa-alueella (EFTA).

Mikäli Black & Decker -tuotteessa ilmenee vika materiaali- ja/tai valmistusvirheen tai teknisten tietojen epätarkkuuden vuoksi 24 kk:n kuluessa ostopäivästä, Black & Decker takaa vaihtavansa vialliset osat, korjata tuotteet, jotka ovat altistuneet normaalille kulumiselle, tai vaihtaa tällaiset tuotteet varmistaakseen mahdollisimman vähäisen haitan syntyminen asiakkaalle.

- ◆ Tuotetta on käytetty kaupalliseen, ammattimaiseen tai vuokraustarkoitukseen.
- ◆ Tuote on altistunut väärinkäytölle tai sen huolto on laiminlyöty.
- ◆ Tuote on vahingoittunut vieraiden esineiden, aineiden tai onnettomuuksien vuoksi.
- ◆ Jos korjauksia on yrittänyt jokin muu kuin Black & Deckerin valtuuttama edustaja tai Black & Deckerin henkilökunta.

Edellytyksenä takuun saamiselle on, että ostaja jättää koneen ja ostokuitin jälleenmyyjälle tai valtuutetulle huoltoliikkeelle. Saat valtuutettujen huoltoliikkeiden yhteystiedot ottamalla yhteyden Black & Decker Oy:hyn tässä käyttöoppaassa ilmoitetussa osoitteessa. Valtuutettujen Black & Decker -huoltoliikkeiden yhteystiedot sekä lisätietoja palveluistamme ja takuehdoista on myös Internetissä osoitteessa: www.2helpU.com

Voit rekisteröidä uuden Black & Decker -tuotteesi ja tarkastella tietoja uusista tuotteista ja erikoistarjouksista verkkosivuillamme www.blackanddecker.fi. Saat lisätietoja Black & Deckerin tavaramerkistä ja tuotevalikoimastamme osoitteesta www.blackanddecker.fi.

Ενδεδειγμένη χρήση

Το ηλεκτρικό σκουπάκι Black & Decker Dustbuster® Plus έχει σχεδιαστεί για ελαφρύ ηλεκτρικό σκούπισμα στεγνών επιφανειών. Αυτή η συσκευή προορίζεται μόνο για οικιακή χρήση.

Γενικές προειδοποιήσεις ασφαλείας για τη συσκευή



Προειδοποίηση! Κατά τη χρήση συσκευών που τροφοδοτούνται με ηλεκτρικό ρεύμα/χωρίς καλώδιο, θα πρέπει να λαμβάνονται πάντα οι βασικές προφυλάξεις ασφαλείας, συμπεριλαμβανομένων των παρακάτω, για τον περιορισμό του κινδύνου πυρκαγιάς, ηλεκτροπληξίας, τραυματισμού προσώπων και υλικών ζημιών.

- ◆ Πριν χρησιμοποιήσετε τη συσκευή διαβάστε προσεκτικά ολόκληρο το εγχειρίδιο.
- ◆ Η ενδεδειγμένη χρήση περιγράφεται σε αυτό το εγχειρίδιο. Τόσο η χρήση εξαρτημάτων ή προσαρτημάτων όσο και η χρήση της συσκευής για εργασίες που δε συνιστώνται σε αυτό το εγχειρίδιο οδηγούν εγκυμονεί κίνδυνο τραυματισμού.

Ο χαρακτηρισμός "συσκευή" που χρησιμοποιείται στις προειδοποιήσεις αφορά τη συσκευή που συνδέεται στην πρίζα (με καλώδιο) ή που λειτουργεί με μπαταρία (χωρίς καλώδιο).

Φυλάξτε όλες τις προειδοποιήσεις και τις οδηγίες για μελλοντική αναφορά.

Χρήση της συσκευής σας

Προσέχετε πάντα όταν χρησιμοποιείτε τη συσκευή.

- ◆ Διατηρείτε το χώρο εργασίας καθαρό και καλά φωτισμένο. Οι ακατάστατοι χώροι και τα σημεία χωρίς καλό φωτισμό προκαλούν ατυχήματα.
- ◆ Χρησιμοποιείτε τη συσκευή μόνο στο φως της ημέρας ή σε καλό τεχνητό φωτισμό.
- ◆ Μη χρησιμοποιείτε τη συσκευή σας σε περιβάλλον όπου υπάρχει κίνδυνος έκρηξης, π.χ. παρουσία εύφλεκτων υγρών, αερίων ή σκόνης.
- ◆ Ποτέ μην επιτρέπετε σε μικρά παιδιά ή σε άτομα που δεν έχουν διαβάσει το εγχειρίδιο οδηγιών να χρησιμοποιήσουν τη συσκευή.
- ◆ Μην επιτρέπετε σε παιδιά ή ζώα να πλησιάζουν στο χώρο εργασίας ή να αγγίζουν τη συσκευή ή το καλώδιο τροφοδοσίας.
- ◆ Όταν χρησιμοποιείτε μία συσκευή, κρατάτε τα παιδιά, άλλα άτομα και τα ζώα μακριά. Εάν αποσπαστεί η προσοχή σας μπορεί να χάσετε τον έλεγχο.
- ◆ Η συσκευή δεν πρέπει να χρησιμοποιείται ως παιχνίδι.
- ◆ Μη βυθίζετε τη συσκευή μέσα σε νερό.

- ◆ Μην ανοίγετε το περίβλημα του κυρίως τμήματος της συσκευής. Τα εξαρτήματα στο εσωτερικό δεν επιδέχονται επισκευή από το χρήστη.

Ασφάλεια προσώπων

- ◆ Προσέξτε, όταν χρησιμοποιείτε μια συσκευή, να συγκεντρώνεστε στην εργασία που κάνετε και να επιστρατεύετε την κοινή λογική. Μη χρησιμοποιείτε μια συσκευή όταν είστε κουρασμένοι ή όταν βρίσκεστε υπό την επήρεια ναρκωτικών, οινόπνευματος ή φαρμάκων. Μια στιγμιαία απροσεξία κατά το χειρισμό μιας συσκευής μπορεί να οδηγήσει σε σοβαρούς τραυματισμούς.
 - ◆ Να χρησιμοποιείτε εξοπλισμό προσωπικής προστασίας όπου απαιτείται. Ο κίνδυνος τραυματισμών μειώνεται όταν χρησιμοποιείτε προστατευτικά ματιών, εξοπλισμό προστασίας, όπως μάσκα προστασίας από σκόνη, αντιολισθητικά παπούτσια ασφαλείας, κράνη ή ωασπίδες, ανάλογα με τις συνθήκες εργασίας.
 - ◆ Αποφεύγετε την ακούσια ενεργοποίηση. Βεβαιωθείτε ότι ο διακόπτης λειτουργίας βρίσκεται στη θέση "OFF" πριν συνδέσετε τη συσκευή στην πρίζα ή/και στην μπαταρία και πριν τη σηκώσετε ή τη μεταφέρετε. Η μεταφορά συσκευών με το δάχτυλό σας επάνω στο διακόπτη ή η σύνδεση στην πρίζα συσκευών με το διακόπτη στη θέση ενεργοποίησης, ενέχει κινδύνους πρόκλησης ατυχημάτων.
 - ◆ Μην τεντώνετε. Φροντίστε πάντοτε να έχετε την κατάλληλη στάση και να διατηρείτε την ισορροπία σας. Αυτό σας επιτρέπει τον καλύτερο έλεγχο της συσκευής σε περιπτώσεις απροσδόκητων καταστάσεων.
 - ◆ Φοράτε κατάλληλη ενδυμασία εργασίας. Μη φοράτε φαρδιά ρούχα ή κοσμήματα. Κρατάτε τα μαλλιά, τα ενδύματα και τα γάντια σας μακριά από τα κινούμενα εξαρτήματα. Τα φαρδιά ρούχα, τα κοσμήματα και τα μακριά μαλλιά μπορεί να εμπλακούν στα κινούμενα μέρη.
- ### Χρήση και συντήρηση της συσκευής
- ◆ Πριν από τη χρήση, ελέγξτε τη συσκευή για τυχόν κατεστραμμένα ή ελαττωματικά εξαρτήματα. Ελέγξτε αν υπάρχουν σπασμένα εξαρτήματα, ζημιά σε διακόπτες και οτιδήποτε άλλο που μπορεί να επηρεάσει τη λειτουργία της.
 - ◆ Μη χρησιμοποιείτε τη συσκευή εάν ο διακόπτης λειτουργίας είναι χαλασμένος. Μια συσκευή της οποίας η λειτουργία δεν μπορεί να ελεγχθεί με το διακόπτη είναι επικίνδυνη και πρέπει να επισκευαστεί.
 - ◆ Βγάλτε το φιν από την πρίζα ή/και την μπαταρία από τη συσκευή, πριν διεξάγετε κάποια εργασία ρύθμισης, πριν αλλάξετε κάποιο εξάρτημα ή όταν πρόκειται να

αποθηκεύστε τις συσκευές. Αυτά τα προληπτικά μέτρα ασφαλείας μειώνουν τον κίνδυνο να τεθεί η συσκευή ακούσια σε λειτουργία.

- ◆ Όπου εφαρμόζεται, διατηρείτε τα κοπτικά εργαλεία κοφτερά και καθαρά. Τα κοπτικά εργαλεία με αιχμηρά κοπτικά άκρα που συντηρούνται σωστά έχουν λιγότερες πιθανότητες να μπλοκάρουν και ελέγχονται ευκολότερα.
- ◆ Μη χρησιμοποιείτε τη συσκευή, αν κάποιο εξάρτημά της έχει καταστραφεί ή παρουσιάζει ελάττωμα.
- ◆ Φροντίστε να γίνει η επισκευή ή η αντικατάσταση των τυχόν ελαττωματικών εξαρτημάτων από εξουσιοδοτημένο κέντρο επισκευών.
- ◆ Μην επιχειρήσετε ποτέ να αφαιρέσετε ή να αντικαταστήσετε οποιοδήποτε εξάρτημα, εκτός από αυτά που καθορίζονται σε αυτό το εγχειρίδιο.

Ασφαλής χρήση ηλεκτρικού ρεύματος

- ◆ Το φως της συσκευής πρέπει να ταιριάζει στην αντίστοιχη πρίζα. Δεν επιτρέπεται με κανέναν τρόπο η μετασκευή του φως. Μη χρησιμοποιείτε προσαρμοστικά φως με γειωμένες συσκευές. Τα φως που δεν έχουν υποστεί τροποποιήσεις και οι κατάλληλες πρίζες μειώνουν τον κίνδυνο ηλεκτροπληξίας.
- ◆ Μην εκθέτετε τη συσκευή στη βροχή ή στην υγρασία. Η διείσδυση νερού στη συσκευή αυξάνει τον κίνδυνο ηλεκτροπληξίας.
- ◆ Μην κακομεταχειρίζεστε το καλώδιο. Μη χρησιμοποιείτε ποτέ το καλώδιο για να μεταφέρετε τη συσκευή, να την τραβήξετε ή να την αποσυνδέσετε από την πρίζα. Κρατάτε το καλώδιο μακριά από θερμότητα, λάδια, αιχμηρά άκρα ή κινούμενα εξαρτήματα. Τυχόν χαλασμένα ή μπερδεμένα καλώδια αυξάνουν τον κίνδυνο ηλεκτροπληξίας.
- ◆ Όταν χρησιμοποιείτε μια συσκευή σε εξωτερικούς χώρους, να χρησιμοποιείτε πάντοτε καλώδια προέκτασης κατάλληλα για χρήση σε εξωτερικούς χώρους. Η χρήση προεκτάσεων κατάλληλων για εργασία σε εξωτερικούς χώρους μειώνει τον κίνδυνο ηλεκτροπληξίας.
- ◆ Εάν η χρήση μιας συσκευής σε μια υγρή τοποθεσία είναι αναπόφευκτη, χρησιμοποιήστε μια Διάταξη Προστασίας Ρεύματος Διαρροής (RCD). Η χρήση διάταξης RCD μειώνει τον κίνδυνο ηλεκτροπληξίας.

Χρήση και συντήρηση της συσκευής (μόνο για συσκευές χωρίς καλώδιο)

- ◆ Επαναφορτίστε μόνο με το φορτιστή που καθορίζεται από τον κατασκευαστή. Ένας φορτιστής που είναι κατάλληλος για έναν τύπο μπαταρίας μπορεί να προκαλέσει κίνδυνο πυρκαγιάς εάν χρησιμοποιηθεί με άλλη μπαταρία.

- ◆ Χρησιμοποιείτε τις συσκευές αποκλειστικά και μόνο με τις καθοριζόμενες μπαταρίες. Η χρήση άλλων μπαταριών μπορεί να προκαλέσει κίνδυνο τραυματισμού και πυρκαγιάς.
- ◆ Όταν η μπαταρία δε χρησιμοποιείται, μην την πλησιάζετε σε μεταλλικά αντικείμενα όπως συνδετήρες, κέρματα, κλειδιά, καρφιά, βίδες ή άλλα μικρά μεταλλικά αντικείμενα που μπορούν να βραχυκυκλώσουν τους δύο ακροδέκτες της. Εάν βραχυκυκλώσουν οι πόλοι της μπαταρίας μπορεί να προκληθούν εγκαύματα ή πυρκαγιά.
- ◆ Υπό ακραίες συνθήκες, είναι δυνατή η διαρροή υγρού από την μπαταρία, με το οποίο πρέπει να αποφύγετε την επαφή. Σε περίπτωση κατά λάθος επαφής, ξεπλύνετε με νερό. Εάν το υγρό έρθει σε επαφή με τα μάτια, ζητήστε και ιατρική βοήθεια. Το υγρό που διαρρέει από την μπαταρία μπορεί να προκαλέσει ερεθισμούς ή εγκαύματα.

Μετά τη χρήση

- ◆ Όταν δε χρησιμοποιείται, η συσκευή πρέπει να φυλάσσεται σε στεγνό, καλά αεριζόμενο χώρο, μακριά από παιδιά.
- ◆ Τα παιδιά δεν πρέπει να έχουν πρόσβαση σε αποθηκευμένες συσκευές.
- ◆ Όταν η συσκευή φυλάσσεται ή μεταφέρεται με ένα όχημα, πρέπει να τοποθετείται στο χώρο αποσκευών ή να στερεώνεται ώστε να μη μετακινείται σε περίπτωση απότομων μεταβολών της ταχύτητας ή της κατεύθυνσης του οχήματος.

Ασφάλεια τρίτων

- ◆ Αυτή η συσκευή δεν προορίζεται για χρήση από άτομα (στα οποία περιλαμβάνονται και τα παιδιά) με μειωμένες φυσικές, αντιληπτικές ή διανοητικές ικανότητες ή άτομα χωρίς εμπειρία και γνώσεις, παρά μόνο εφόσον επιτηρούνται ή τους έχουν δοθεί οδηγίες σχετικά με τη χρήση της συσκευής από άτομο υπεύθυνο για την ασφάλειά τους.
- ◆ Τα παιδιά πρέπει να επιτηρούνται για να διασφαλίζεται ότι δεν παίζουν με τη συσκευή.

Σέρβις

Το σέρβις της συσκευής σας πρέπει να αναλαμβάνει έμπειρος τεχνικός που θα χρησιμοποιεί μόνο γνήσια ανταλλακτικά. Έτσι εξασφαλίζεται η διατήρηση της ασφάλειας της συσκευής.

Συμπληρωματικές οδηγίες ασφαλείας - μπαταρίες και φορτιστές

Μπαταρίες

- ◆ Μην επιχειρήσετε ποτέ να ανοίξετε τις μπαταρίες για οποιονδήποτε λόγο.
- ◆ Μην εκθέτετε την μπαταρία σε νερό.
- ◆ Μην εκθέτετε την μπαταρία σε θερμότητα.
- ◆ Μη φυλάσσετε τις μπαταρίες σε μέρη όπου η θερμοκρασία μπορεί να υπερβεί τους 40°C.
- ◆ Η φόρτιση πρέπει να γίνεται μόνο σε θερμοκρασίες περιβάλλοντος μεταξύ 10°C και 40°C.
- ◆ Η φόρτιση πρέπει να γίνεται μόνο με το φορτιστή που παρέχεται μαζί με τη συσκευή/εργαλείο. Η χρήση άλλου φορτιστή μπορεί να προκαλέσει ηλεκτροπληξία ή υπερθέρμανση της μπαταρίας.
- ◆ Όταν απορρίπτετε τις μπαταρίες, ακολουθήστε τις οδηγίες που δίνονται στην ενότητα "Προστασία του περιβάλλοντος".
- ◆ Μην καταστρέψετε/παραμορφώνετε την μπαταρία είτε τρυπώντας ή χτυπώντας την, διότι μπορεί να προκληθεί κίνδυνος τραυματισμού ή πυρκαγιάς.
- ◆ Μη φορτίζετε τις κατεστραμμένες μπαταρίες.
- ◆ Κάτω από ακραίες συνθήκες, μπορεί να επέλθει διαρροή υγρών μπαταρίας. Αν παρατηρήσετε υγρό πάνω στις μπαταρίες, σκουπίστε το προσεκτικά με ένα πανί. Αποφύγετε την επαφή με το δέρμα.
- ◆ Στην περίπτωση επαφής με το δέρμα ή τα μάτια, ακολουθήστε τις παρακάτω οδηγίες.

Προειδοποίηση! Το υγρό της μπαταρίας μπορεί να προκαλέσει τραυματισμό ή υλικές ζημιές. Στην περίπτωση επαφής με το δέρμα, ξεπλύνετε αμέσως με άφθονο νερό. Αν παρουσιαστεί κοκκίνισμα του δέρματος, πόνος ή ερεθισμός, ζητήστε ιατρική βοήθεια. Στην περίπτωση επαφής με τα μάτια, ξεπλύνετε αμέσως με άφθονο καθαρό νερό και ζητήστε ιατρική βοήθεια.

Φορτιστές

Ο φορτιστής σας είναι σχεδιασμένος για μια συγκεκριμένη ηλεκτρική τάση. Ελέγχετε πάντα αν η τάση τροφοδοσίας αντιστοιχεί σε αυτήν που αναγράφεται στην πινακίδα χαρακτηριστικών.

Προειδοποίηση! Ποτέ μην επιχειρείτε να αντικαταστήσετε τη μονάδα φορτιστή με έναν κανονικό ρευματολήπτη.

- ◆ Ο φορτιστής Black & Decker πρέπει να χρησιμοποιείται αποκλειστικά και μόνο για τη φόρτιση της μπαταρίας της συσκευής/του εργαλείου που συνοδεύει. Αν χρησιμοποιηθεί για άλλες μπαταρίες, αυτές μπορεί να εκραγούν, προκαλώντας τραυματισμό και ζημιές.
- ◆ Μην επιχειρείτε ποτέ να φορτίσετε μη επαναφορτιζόμενες μπαταρίες.

- ◆ Αν το καλώδιο ρεύματος έχει υποστεί φθορά, η αντικατάστασή του πρέπει να γίνει από τον κατασκευαστή ή από ένα εξουσιοδοτημένο κέντρο της Black & Decker, ώστε να μην αποτελέσει κίνδυνο.
- ◆ Μην εκθέτετε το φορτιστή σε νερό.
- ◆ Μην ανοίγετε το φορτιστή.
- ◆ Μην επεμβαίνετε στο φορτιστή.

Κατά τη φόρτιση, η συσκευή/εργαλείο/μπαταρία πρέπει να βρίσκεται σε καλά αεριζόμενο χώρο.

Ασφαλής χρήση ηλεκτρικού ρεύματος



Ο φορτιστής σας φέρει διπλή μόνωση, επομένως δεν απαιτείται σύρμα γείωσης. Ελέγχετε πάντα αν η τάση τροφοδοσίας αντιστοιχεί σε αυτήν που αναγράφεται στην πινακίδα χαρακτηριστικών.

Αν το καλώδιο ρεύματος έχει υποστεί φθορά, η αντικατάστασή του πρέπει να γίνει από τον κατασκευαστή ή από ένα εξουσιοδοτημένο κέντρο της Black & Decker, ώστε να μην αποτελέσει κίνδυνο.

Προειδοποίηση! Ποτέ μην επιχειρείτε να αντικαταστήσετε τη μονάδα φορτιστή με έναν κανονικό ρευματολήπτη.

Σύμβολα πάνω στη βάση φόρτισης



Η βάση φόρτισης φέρει διπλή μόνωση, επομένως δεν απαιτείται σύρμα γείωσης.



Μονωτικός μετασχηματιστής ασφαλείας. Η τροφοδοσία δικτύου είναι ηλεκτρικά διαχωρισμένη από την έξοδο του μετασχηματιστή.



Η βάση φόρτισης προορίζεται για χρήση σε εσωτερικούς χώρους μόνο.

Χαρακτηριστικά

1. Συλλέκτης σκόνης
2. Κουμπί αποδέσμευσης περιέκτη συλλογής σκόνης
3. Κουμπί ασφάλισης άρθρωσης
4. Διακόπτης on/off
5. Θυρίδα περιέκτη
6. Κουμπί αποδέσμευσης θυρίδας περιέκτη
7. Βάση φόρτισης
8. Αποσπώμενο βουρτσάκι
9. Προέκταση συλλέκτη σκόνης

Συναρμολόγηση

Προσαρμογή του συλλέκτη σκόνης (εικ. A - C)

Ο συλλέκτης σκόνης (1) διαθέτει ένα βουρτσάκι το οποίο μπορεί να ανοίξει προς τα εμπρός για ξεσκόνισμα και καθάρισμα ταπεταριών.

- ◆ Ο συλλέκτης σκόνης (1) αποθηκεύεται κάτω από τη συσκευή. Για να τον προσαρμόσετε πριν τη χρήση, σηκώστε τη συσκευή από τη βάση φόρτισης (7).
- ◆ Πατήστε το κουμπί ασφάλισης της άρθρωσης (3) και περιστρέψτε το συλλέκτη σκόνης (1) στην απαιτούμενη θέση.
- ◆ Απελευθερώστε το κουμπί ασφάλισης της άρθρωσης (3) για να ασφαλίσετε το συλλέκτη σκόνης στη θέση του.
- ◆ Ο συλλέκτης σκόνης μπορεί να προεκταθεί σπρώχνοντας την προέκταση του συλλέκτη σκόνης (9) μέχρι να ασφαλίσει.
- ◆ Η προέκταση μπορεί να αποσυρθεί πατώντας το κουμπί (10) και σπρώχνοντάς την πίσω στο εσωτερικό του συλλέκτη σκόνης.
- ◆ Μετά από τη χρήση και κατά τη φόρτιση της συσκευής, ο συλλέκτης σκόνης θα πρέπει να τοποθετείται ξανά στη θέση φύλαξης κάτω από τη συσκευή.

Αναπόφευκτοι κίνδυνοι

Μπορεί να προκληθούν επιπρόσθετοι αναπόφευκτοι κίνδυνοι όταν χρησιμοποιείτε το εργαλείο οι οποίοι μπορεί να μη συμπεριλαμβάνονται στις προειδοποιήσεις ασφαλείας που εσωκλείονται. Αυτοί οι κίνδυνοι μπορεί να προκληθούν από κακή χρήση, παρατεταμένη χρήση κτλ.

Ακόμα και με την τήρηση των σχετικών κανονισμών ασφαλείας και τη χρήση μέσων προστασίας, ορισμένοι κίνδυνοι δεν είναι δυνατό να εξαλειφθούν. Αυτοί περιλαμβάνουν:

- ◆ Τραυματισμούς από το άγγιγμα των περιστρεφόμενων/κινούμενων μερών.
- ◆ Τραυματισμούς από αλλαγή οποιωνδήποτε εξαρτημάτων, λεπίδων ή αξεσουάρ.
- ◆ Τραυματισμούς από παρατεταμένη χρήση του εργαλείου. Όταν χρησιμοποιείτε οποιοδήποτε εργαλείο για παρατεταμένες χρονικές περιόδους βεβαιωθείτε ότι κάνετε τακτικά διαλείμματα.
- ◆ Προβλήματα ακοής.
- ◆ Κίνδυνοι στην υγεία που προκαλούνται από την εισπνοή σκόνης όταν χρησιμοποιείτε το εργαλείο (παραδείγματα:- όταν επεξεργάζεστε ξύλο, ειδικά δρυς, οξιά και MDF).

Χρήση

- ◆ Πριν από την πρώτη χρήση, η μπαταρία θα πρέπει να έχει φορτιστεί για 24 ώρες τουλάχιστον.

- ◆ Όταν η συσκευή δε χρησιμοποιείται θα πρέπει να τοποθετείται πάνω στη βάση φόρτισης.

Φόρτιση της μπαταρίας (εικ. D)

- ◆ Βεβαιωθείτε ότι η συσκευή είναι απενεργοποιημένη. Η μπαταρία δε φορτίζεται όταν ο διακόπτης λειτουργίας (4) είναι στη θέση 'on'.
- ◆ Τοποθετήστε τη συσκευή πάνω στη βάση φόρτισης (7) όπως υποδεικνύεται.
- ◆ Βάλτε το φορτιστή στην πρίζα. Ενεργοποιήστε από το δίκτυο.

Θα ανάψει η ενδεικτική λυχνία φόρτισης.

- ◆ Αφήστε τη συσκευή να φορτίσει τουλάχιστον για 24 ώρες.

Κατά τη φόρτιση, ο φορτιστής μπορεί να θερμανθεί. Αυτό είναι φυσιολογικό και δεν υποδεικνύει κάποιο πρόβλημα. Η συσκευή μπορεί να μείνει συνδεδεμένη με το φορτιστή για αόριστο χρονικό διάστημα. Η ενδεικτική λυχνία φόρτισης μένει αναμμένη εφόσον η συσκευή είναι συνδεδεμένη με τον ενσωματωμένο φορτιστή.

Προειδοποίηση! Μη φορτίζετε την μπαταρία σε θερμοκρασίες περιβάλλοντος κάτω από 4 °C ή πάνω από 40 °C.

Ενεργοποίηση και απενεργοποίηση (εικ. E)

- ◆ Για να θέσετε τη συσκευή σε λειτουργία, σύρετε το διακόπτη on/off (4) προς τα εμπρός στη θέση I.
- ◆ Για να απενεργοποιήσετε τη συσκευή, σύρετε το διακόπτη on/off (4) προς τα πίσω στη θέση 0.

Βελτιστοποίηση της δύναμης αναρρόφησης (εικ. G - I)

Για να κρατήσετε τη βέλτιστη δύναμη αναρρόφησης, καθαρίζετε τα φίλτρα τακτικά κατά τη χρήση.

- ◆ Πιέστε το κουμπί αποδέσμευσης (6) και ανοίξτε τη θυρίδα του περιέκτη (5) (εικ. F).
- ◆ Αδειάστε τον περιέκτη σκόνης.

Καθαρισμός και συντήρηση

Περιστρέφοντας τον κάδο (εικ. A) ανακινείται το φίλτρο ώστε να απομακρύνεται η σκόνη. Ωστόσο είναι σημαντικό να αδειάζετε τον κάδο τακτικά αφαιρώντας τα φίλτρα (εικ. J).

Προειδοποίηση! Καθαρίζετε τακτικά τα φίλτρα (12 & 13).

Καθαρισμός του περιέκτη σκόνης και των φίλτρων (εικ. G - K)

Υπάρχουν δύο τρόποι για να καθαρίσετε τον κάδο, ο ένας είναι να τον αδειάσετε γρήγορα και ο άλλος, να τον καθαρίσετε με λεπτομέρεια. Για γρήγορο άδειασμα, χρησιμοποιήστε τις παρακάτω οδηγίες.

Τα φίλτρα είναι επαναχρησιμοποιήσιμα και θα πρέπει να καθαρίζονται τακτικά.

- ◆ Πιέστε το κουμπί αποδέσμευσης (6) και ανοίξτε τη θυρίδα του περιέκτη (5) (εικ. F).

- ◆ Αδειάστε τον περιέκτη σκόνης (11).
- ◆ Κλείστε τη θυρίδα του περιέκτη σκόνης (5). Βεβαιωθείτε ότι το κουμπί αποδέσμευσης (6) έχει ασφαλίσει στη θέση του.

Για να καθαρίσετε με λεπτομέρεια τον κάδο, χρησιμοποιήστε τις παρακάτω οδηγίες.

Ο περιέκτης σκόνης (11) είναι προσαρτημένος στο κύριο τμήμα της συσκευής με σύνδεσμο τύπου μπαγιονέτ. Για να βγάλετε τον περιέκτη σκόνης:

- ◆ Πιέστε το κουμπί αποδέσμευσης του περιέκτη σκόνης (2) και περιστρέψτε τον περιέκτη (11) αριστερόστροφα και σύρετέ τον προσεκτικά έξω από τη συσκευή.
- ◆ Βάλτε το άγκιστρο του φίλτρου (12) σε κάθετη θέση (εικ. Ι).
- ◆ Χρησιμοποιήστε το άγκιστρο του φίλτρου (12) για να περιστρέψετε το φίλτρο (13) μέσα στο προ-φίλτρο (14), να το ανακινήσετε και να αφαιρέσετε τη σκόνη.
- ◆ Βγάλτε το κύριο φίλτρο (13).
- ◆ Αφαιρέστε με βούρτσα τυχόν χαλαρή σκόνη από το φίλτρο (13).

Το προ-φίλτρο (14) είναι προσαρτημένο με σύνδεσμο τύπου μπαγιονέτ. Για να βγάλετε το προ-φίλτρο:

- ◆ Περιστρέψτε το προ-φίλτρο (14) αριστερόστροφα και σύρετέ το προσεκτικά ώστε να βγει από τον περιέκτη σκόνης.
- ◆ Τοποθετήστε το προ-φίλτρο (14) μέσα στον περιέκτη σκόνης (11) περιστρέφοντάς το δεξιόστροφα μέχρι να ασφαλίσει στη θέση του.
- ◆ Τοποθετήστε το κύριο φίλτρο (13) μέσα στο προ-φίλτρο (14).
- ◆ Τοποθετήστε τον περιέκτη σκόνης (11) στη συσκευή περιστρέφοντάς τον δεξιόστροφα μέχρι να ασφαλίσει στη θέση του.

Προειδοποίηση! Μη χρησιμοποιείτε ποτέ τη συσκευή χωρίς τα φίλτρα. Η βέλτιστη περισυλλογή της σκόνης επιτυγχάνεται μόνο με καθαρά φίλτρα.

Αντικατάσταση των φίλτρων

Τα φίλτρα θα πρέπει να αλλάζονται κάθε 6 με 9 μήνες και όταν έχουν φθαρεί ή καταστραφεί. Ανταλλακτικά φίλτρα διατίθενται από τα εμπορικά σημεία πώλησης προϊόντων Black & Decker (Αρ. κατ. VF90):

- ◆ Αφαιρέστε τα παλιά φίλτρα όπως περιγράφεται παραπάνω.
- ◆ Τοποθετήστε τα καινούρια φίλτρα όπως περιγράφεται παραπάνω.

Προστασία του περιβάλλοντος



Ξεχωριστή περισυλλογή. Αυτό το προϊόν δεν πρέπει να απορρίπτεται μαζί με τα κοινά οικιακά απορρίμματα.

Εάν κάποια μέρα διαπιστώσετε ότι το προϊόν σας Black & Decker χρειάζεται αντικατάσταση ή ότι δεν το χρειάζεστε άλλο, μην το απορρίψετε μαζί με τα κοινά οικιακά απορρίμματα αλλά κάντε αυτό το προϊόν διαθέσιμο για ξεχωριστή περισυλλογή.



Η ξεχωριστή περισυλλογή των μεταχειρισμένων προϊόντων και των υλικών συσκευασίας επιτρέπει την ανακύκλωση και επαναχρησιμοποίηση των υλικών. Με την επαναχρησιμοποίηση των ανακυκλωμένων υλικών αποτρέπεται η μόλυνση του περιβάλλοντος και μειώνεται η ζήτηση πρώτων υλών.

Οι κανονισμοί που ισχύουν στην περιοχή σας ενδέχεται να προβλέπουν την ξεχωριστή περισυλλογή των ηλεκτρικών συσκευών που προέρχονται από νοικοκυριά σε δημοτικές εγκαταστάσεις ή από τον έμπορο όταν αγοράσετε ένα καινούργιο προϊόν.

Η Black & Decker δίνει τη δυνατότητα ανακύκλωσης των προϊόντων της που έχουν συμπληρώσει τη διάρκεια ζωής τους. Για να χρησιμοποιήσετε αυτήν την υπηρεσία, επιστρέψτε το προϊόν σας σε οποιοδήποτε εξουσιοδοτημένο κέντρο επισκευών, όπου θα το παραλάβουν εκ μέρους μας.

Ενημερωθείτε για το πλησιέστερο εξουσιοδοτημένο κέντρο επισκευών της περιοχής σας, επικοινωνώντας με τα γραφεία της Black & Decker στη διεύθυνση που αναγράφεται στο εγχειρίδιο. Επίσης, μια λίστα με τα εξουσιοδοτημένα κέντρα επισκευών της Black & Decker και πλήρεις λεπτομέρειες για τις υπηρεσίες που παρέχονται μετά την πώληση καθώς και στοιχεία επικοινωνίας υπάρχουν στο Διαδίκτυο, στη διεύθυνση: www.2helpU.com.

Τεχνικά χαρακτηριστικά

	PV9625N - H1	PV1225NB - H1 PV1225NPM - H1
Τάση	Vdc 9,6	12
Βάρος	kg 1,52	1,58

	PV1425N - H1	PV1825N - H1
Τάση	Vdc 14,4	18
Βάρος	kg 1,66	1,76

Φορτιστής	CHA002014B/G
Τάση εισόδου	Vac 100-240
Τάση εξόδου	Vdc 7,2-24
Ρεύμα εξόδου	mA 85
Χρόνος φόρτισης κατά προσέγγιση	h 21
Βάρος	kg 0,18

Στάθμη ηχητικής πίεσης, μετρημένης σύμφωνα με το πρότυπο EN 60704-1: = 75 dB(A)

Εγγύηση

Η Black & Decker είναι σίγουρη για την ποιότητα των προϊόντων της και παρέχει μια εξαιρετική εγγύηση. Η παρούσα γραπτή εγγύηση αποτελεί πρόσθετο δικαίωμά σας και δεν ζημιώνει τα νόμιμα δικαιώματά σας. Η εγγύηση ισχύει εντός της επικράτειας των Κρατών Μελών της Ευρωπαϊκής Ένωσης και της Ευρωπαϊκής Ζώνης Ελευθέρων Συναλλαγών.

Σε περίπτωση που κάποιο προϊόν της Black & Decker παρουσιάσει βλάβη εξαιτίας ελαττωματικών υλικών, ποιότητας εργασίας ή έλλειψης συμφωνίας με τις προδιαγραφές εντός 24 μηνών από την ημερομηνία αγοράς, η Black & Decker εγγυάται την αντικατάσταση των ελαττωματικών τμημάτων, την επισκευή προϊόντων που έχουν υποστεί εύλογη φθορά λόγω χρήσης ή την αντικατάσταση των προϊόντων προκειμένου να εξασφαλίσει την ελάχιστη ενόχληση στους πελάτες της, εκτός εάν:

- ◆ Το προϊόν έχει χρησιμοποιηθεί σε εργασιακό, επαγγελματικό περιβάλλον ή έχει ενοικιαστεί.
- ◆ Έχει γίνει εσφαλμένη χρήση του προϊόντος ή έχει παραμεληθεί.
- ◆ Το προϊόν έχει υποστεί βλάβη από άλλα αντικείμενα, από ουσίες ή λόγω ατυχήματος.
- ◆ Έχει γίνει προσπάθεια επισκευής από μη εξουσιοδοτημένα κέντρα επισκευών ή από προσωπικό που δεν ανήκει στο προσωπικό της Black & Decker.

Για να ισχύσει η εγγύηση, πρέπει να υποβάλετε απόδειξη αγοράς στον πωλητή ή το εξουσιοδοτημένο κέντρο επισκευών. Ενημερωθείτε για το πλησιέστερο εξουσιοδοτημένο κέντρο επισκευών της περιοχής σας, επικοινωνώντας με τα γραφεία της Black & Decker στη διεύθυνση που αναγράφεται στο εγχειρίδιο. Επίσης, μια λίστα με τα εξουσιοδοτημένα κέντρα επισκευών της Black & Decker και πλήρεις λεπτομέρειες για τις υπηρεσίες που παρέχονται μετά την πώληση καθώς και στοιχεία επικοινωνίας υπάρχουν στο Διαδίκτυο, στη διεύθυνση:

www.2helpU.com

Παρακαλούμε επισκεφθείτε την ιστοσελίδα μας www.blackanddecker.eu για να καταχωρήσετε το νέο σας προϊόν Black & Decker και για να ενημερώνεστε για τα νέα προϊόντα και τις ειδικές προσφορές. Περισσότερες πληροφορίες σχετικά με τη μάρκα Black & Decker και τη σειρά των προϊόντων μας θα βρείτε στη διεύθυνση www.blackanddecker.eu.

Kullanım amacı

Black & Decker Dustbuster® markalı elektrikli el süpürge vakumlu kuru temizleme işlerinin kolayca yapılması için tasarlanmıştır. Bu cihaz yalnızca ev temizliğinde kullanılır.

Genel cihaz güvenlik uyarıları



Uyarı! Şebekeyle/kablosuz çalışan cihazlar kullanılırken, yangın tehlikesi, elektrik çarpması, fiziksel yaralanma ve maddi zarar riskini azaltmak için aşağıda belirtilenler de dahil olmak üzere temel güvenlik önlemlerine her zaman uyulmalıdır.

- ◆ Cihazı kullanmadan önce bu elkitabını baştan sona dikkatle okuyun.
- ◆ Cihazın kullanım amacı bu elkitabında açıklanmıştır. Cihazın çeşitli talimatları içeren bu elkitabında önerilenlerden başka yardımcı veya ek parçalarla birlikte kullanılması ya da farklı amaçlarla çalıştırılması fiziksel yaralanmaya yol açabilir.

Aşağıdaki uyarılarda geçen "cihaz" terimi, şebeke elektrliği ile çalışan (kablolu) cihaz veya pille çalışan (kablosuz) cihazı ifade eder.

Tüm güvenlik uyarılarını ve talimatlarını gelecekte başvurmak için saklayın.

Cihazınızın kullanılması

Cihazı kullanırken her zaman dikkatli olun.

- ◆ Çalışma alanını temiz tutun ve iyi aydınlatın. Karışık veya karanlık ortamlar kazalara davetiye çıkarır.
- ◆ Cihazı sadece gün ışığında veya yapay ışığın yeterli olduğu bir ortamda kullanın.
- ◆ Cihazınızı, yanıcı sıvıların, gazların veya tozların bulunduğu alanlar gibi patlama olasılığı bulunan ortamlarda kullanmayın.
- ◆ Çocukların veya talimatları bilmeyen kişilerin, cihazı kullanmasına asla izin vermeyin.
- ◆ Çocukların veya hayvanların, çalışma alanı yakınlarında bulunmasına ya da cihazın besleme kablosuna dokunmasına izin vermeyin.
- ◆ Cihazla çalışırken çocukları, çevrede bulunanları ve hayvanları uzak tutun. Dikkatinizi dağıtan durumlar kontrolü kaybetmenize neden olabilir.
- ◆ Bu cihaz oyuncak olarak kullanılamaz.
- ◆ Cihazı suya batırmayın.
- ◆ Gövde kutusunu açmayın. Bu kutunun içinde işinize yarayacak herhangi bir parça yoktur.

Kişisel güvenlik

- ◆ Bir cihazı çalıştırırken dikkatinizi koruyun, ne yaptığınızı farkında olun ve sağduyuyla hareket edin. Yorgunken veya ilaç ya da alkol etkisi altındayken cihazı

kullanmayın. Cihazı çalıştırırken anlık bir dikkatsizlik ciddi fiziksel yaralanmalara sebep olabilir.

- ◆ Gerektiğinde, kişisel koruyucu ekipman kullanın. Uygun şartlarda kullanılan koruyucu gözlük, toz maskesi, kaymayan ayakkabı, baret veya kulak tıkacı gibi koruyucu ekipmanlar fiziksel yaralanmaları azaltır.
- ◆ Cihazın istem dışı çalışmasını önleyin. Cihazı güç kaynağına bağlamadan ve/veya pil takımını takmadan, cihazı kaldırmadan ya da taşımadan önce açma/kapatma düğmesinin kapalı konumunda olmasına dikkat edin. Cihazları parmağınız açma/kapatma düğmesinin üzerindeki taşıma veya açma/kapatma düğmesi açık konumundayken cihaza enerji sağlamak kazalara davetiye çıkarır.
- ◆ Vücudunuzu aşırı derecede öne doğru esnetmeyin. Çalışırken uygun ayak konumunu ve dengeyi her zaman koruyun. Bu, beklenmeyen durumlarda cihazı daha iyi kontrol etmenizi sağlar.
- ◆ Uygun şekilde giyinin. Bol elbiseler giymeyin veya takı takmayın. Saçınızı, giysilerinizi ve eldivenlerinizi hareketli parçalardan uzak tutun. Bol giysiler, takılar veya uzun saç hareketli parçalara takılabilir.

Cihaz kullanımı ve bakımı

- ◆ Kullanmadan önce cihazı kontrol ederek hasarlı ya da arızalı parça olup olmadığına bakın. Parçalarda kırılma, düğmelerde hasar ve cihazın çalışmasını etkileyebilecek başka durumlar olup olmadığını kontrol edin.
- ◆ Açma/kapatma düğmesi çalışmıyorsa cihazı kullanmayın. Açma/kapatma düğmesi çalışmayan her cihaz tehlikelidir ve mutlaka onarılmalıdır.
- ◆ Herhangi bir ayarlama yapmadan, aksesuar değiştirmeden veya cihazları saklamadan önce fişi güç kaynağından çekin ve/veya pil takımını cihazdan çıkarın. Bu tür önleyici güvenlik tedbirleri cihazın kazayla çalışması riskini azaltır.
- ◆ Mümkünse, kesme araçlarını keskin ve temiz tutun. Bakımı doğru yapılan ve kesici kenarları keskin olan kesme araçlarının takılma olasılığı azalır ve bunlar daha kolay kontrol edilir.
- ◆ Hasarlı veya arızalı parça varsa, cihazı kullanmayın.
- ◆ Hasarlı veya arızalı parçaların onarım ya da değiştirme işlemlerini yetkili serviste yaptırın.
- ◆ Bu elkitabında belirtilenler dışında, hiçbir parçayı yerinden çıkarmayın ya da değiştirmeyin.

Elektrik güvenliği

- ◆ Cihaz fişleri prize uymalıdır. Fişi hiçbir şekilde değiştirmeyin. Hiçbir adaptör fişini topraklı cihazlarla birlikte kullanmayın. Değiştirilmemiş fişler ve uygun prizler elektrik çarpması riskini azaltır.

- ◆ Cihazı yağmurda veya ıslak ortamlarda bulundurmayın. Cihaza su girmesi elektrik çarpması riskini artırır.
- ◆ Kabloyu özenli bir şekilde kullanın. Kabloyu, cihazı taşımak, çekmek veya fişten çıkarmak için kullanmayın. Kabloyu ısıdan, yağdan, keskin kenarlı cisimlerden veya hareketli parçalardan uzak tutun. Zarar görmüş veya dolaşmış kablolar elektrik çarpması riskini artırır.
- ◆ Cihazı dış mekanda kullanmak için dış kullanıma uygun bir uzatma kablosu kullanın. Dış kullanıma uygun bir kablo kullanımı elektrik çarpması riskini azaltır.
- ◆ Cihazı nemli bir ortamda çalıştırmak durumunda kalırsanız, Kaçak Akım Rölesi (RCD) korumalı bir besleme kablosu kullanın. RCD kullanımı elektrik çarpması riskini azaltır.

Pil aracı kullanımı ve bakımı (yalnızca kablosuz cihazlar için)

- ◆ Pili sadece üretici tarafından belirtilen şarj cihazlarıyla yeniden şarj edin. Bir pil takımı tipi için uygun olan şarj cihazı diğer bir pil takımı ile kullanıldığında yangın riskine neden olabilir.
- ◆ Cihazları sadece özel olarak belirtilen pil takımları ile kullanın. Herhangi bir başka pil takımının kullanımı yaralanma ve yangın riskine neden olabilir.
- ◆ Pil takımı kullanımda değilken, pillerin iki ucu arasında bağlantı oluşmasına neden olabilecek ataç, demir para, anahtar, çivi, vida gibi metal cisimlerden veya diğer küçük metal cisimlerden uzak tutun. Pil uçlarının birlikte kısa devre yapması yanıklara ya da yangına neden olabilir.
- ◆ Kötü kullanım koşullarında, pildeki sıvı dışarı atılabilir; sıvıya dokunmayın. Yanlışlıkla sıvıya dokunmanız halinde, temas eden yeri bol suyla yıkayın. Sıvı, gözlerle temas ederse, buna ek olarak doktora başvurun. Pilden dışarı atılan sıvı, tahrişe veya yanıklara yol açabilir.

Kullanım sonrası

- ◆ Cihaz kullanılmadığı zaman çocukların erişemeyeceği kuru, havadar bir yerde saklanmalıdır.
- ◆ Cihazlar çocukların ulaşamayacağı yerlere kaldırılmalıdır.
- ◆ Cihaz bir araçta saklanırken veya taşınırken, ani hız değişikliklerinde veya keskin dönüşlerde yerinden oynamaması için bagaja konulmalı veya bir yere sabitlenmelidir.

Diğer kişilerin güvenliği

- ◆ Bu cihaz, güvenliklerinden sorumlu bir kişi tarafından gerekli denetim ve yönlendirme uygulanmadıkça, (çocuklar dahil) fiziksel, duyuşsal ya da zihinsel kapasiteleri kısıtlı olan veya yeterli deneyim ve bilgiye sahip olmayan kişilerce kullanılmamalıdır.

- ◆ Çocuklar gözetim altında tutulmalı, böylece cihazla oynamaları sağlanmalıdır.

Servis

Cihazınızı sadece orijinal yedek parça kullanan nitelikli bir servise götürün. Bu, cihazın sürekli olarak güvenli durumda olduğundan emin olmanızı sağlayacaktır.

Piller ve şarj cihazları ile ilgili ek güvenlik talimatları

Piller

- ◆ Hangi nedenle olursa olsun pillerin içini açma girişiminde bulunmayın.
- ◆ Pili su ile temas ettirmeyin.
- ◆ Pili ısıya maruz bırakmayın.
- ◆ Sıcaklığın 40°C'yi geçebileceği ortamlarda saklamayın.
- ◆ Yalnızca 10 °C ile 40 °C arasındaki ortam sıcaklıklarında şarj edin.
- ◆ Yalnızca cihazla/araçla birlikte sağlanan şarj cihazını kullanın. Yanlış şarj cihazının kullanımı, elektrik çarpmasına veya pilin aşırı ısınmasına yol açabilir.
- ◆ Pilleri atarken "Çevrenin korunması" başlıklı bölümde verilen talimatları uygulayın.
- ◆ Yaralanma ve yangın riski oluşturabileceğinden, pil takımına delerek veya darbe ile zarar vermeyin ya da pil takımını bu şekilde deforme etmeyin.
- ◆ Hasarlı pilleri şarj etmeyin.
- ◆ Aşırı derecede zorlayıcı koşullarda pillerde akma olabilir. Pillerin üzerinde sıvı olduğunu fark ederseniz bu sıvıyı bir bez yardımıyla dikkatli bir biçimde silin. Ciltle temas ettirmekten kaçınınız.
- ◆ Sıvının cildinize veya gözünüze temas etmesi durumunda aşağıdaki talimatları uygulayın.

Uyarı! Pilden akan sıvı, fiziksel yaralanmalara veya maddi zarara neden olabilir. Cildinizle teması durumunda cildinizi hemen bol suyla durulayın. Kızarıklık veya tahriş meydana gelirse ya da acı duyarsanız tıbbi yardım alın. Sıvının gözle temas etmesi durumunda gözünüzü hemen temiz suyla yıkayın ve vakit kaybetmeden tıbbi yardım alın.

Şarj cihazları

Şarj cihazınız belirli bir voltajda kullanılmak üzere tasarlanmıştır. Şebeke voltajının, cihazın teknik özelliklerinin bulunduğu etikette belirtilen voltaj değerine uyup uymadığını her zaman kontrol edin.

Uyarı! Asla şarj cihazı ünitesini normal bir şebeke fişiyle değiştirme girişiminde bulunmayın.

- ◆ Black & Decker şarj cihazınızı yalnızca cihazla/araçla birlikte sağlanan pili şarj etmek için kullanın. Başka piller patlayarak fiziksel yaralanmalara ve hasara neden olabilir.
- ◆ Tek kullanımlık pilleri şarj etmeye çalışmayın.

- ◆ Besleme kablosu zarar görürse, tehlikeli bir durum oluşmasını önlemek için üretici veya yetkili bir Black & Decker Servis Merkezi tarafından değiştirilmesi gerekir.
- ◆ Şarj cihazını su ile temas ettirmeyin.
- ◆ Şarj cihazının içini açmayın.
- ◆ Şarj cihazını kurcalamayın.

Cihaz/araç/pil, havadar bir yerde şarj edilmelidir.

Elektrik güvenliği



Şarj cihazınız çift yalıtım ile donatılmıştır, bu nedenle topraklama kablosuna gerek yoktur. Şebeke voltajının, cihazın teknik özelliklerinin bulunduğu etikette belirtilen voltaj değerine uyup uymadığını her zaman kontrol edin.

Besleme kablosu zarar görürse, tehlikeli bir durum oluşmasını önlemek için üretici veya yetkili bir Black & Decker Servis Merkezi tarafından değiştirilmesi gerekir. **Uyarı!** Asla şarj cihazı ünitesini normal bir şebeke fişiyle değiştirme girişiminde bulunmayın.

Şarj ana ünitesi üzerindeki semboller



Şarj ana üniteniz çift yalıtım ile donatılmıştır, bu nedenle topraklama kablosuna gerek yoktur.



Güvenli kullanım sağlayan izolasyon transformatörü. Şebeke kaynağı, transformatör çıkışından elektriksel olarak ayrılmıştır.



Şarj ana ünitesi yalnızca ev içi kullanım içindir.

Özellikler

1. Toz toplayıcı
2. Toz haznesi serbest bırakma düğmesi
3. Mil kilit düğmesi
4. Açma/kapatma düğmesi
5. Hazne kapağı
6. Hazne kapağı için serbest bırakma mandalı
7. Şarj ana ünitesi
8. Dışarı açılabilir küçük fırça
9. Toz toplayıcı uzatma eki

Cihazın kurulması

Toz toplayıcının ayarlanması (şek. A - C)

Toz toplayıcının (1) toz ve dökme temizliğinde kullanılan ileri doğru açılabilir bir fırçası vardır.

- ◆ Toz toplayıcı (1) cihazın altında saklanır. Toz toplayıcıyı kullanıma hazırlamak için, cihazı şarj ana ünitesinden (7) kaldırın.

- ◆ Mil kilit düğmesine (3) basın ve toz toplayıcıyı (1) gereken konuma doğru döndürün.
- ◆ Toz toplayıcıyı bulunduğu konuma kilitlemek için mil kilit düğmesini (3) serbest bırakın.
- ◆ Toz toplayıcıyı, toz toplayıcı uzatma ekini (9) yerine oturana kadar çekerek uzatabilirsiniz.
- ◆ Uzatma ekini, düğmeye (10) basarak ve toz toplayıcının içine geri iterek içeri çekebilirsiniz.
- ◆ Toz toplayıcı, kullanımından ve cihaz şarj edilirken cihazın altındaki saklama alanına tekrar yerleştirilmelidir.

Kalıntı riskleri

Araç kullanılırken, araçla birlikte gönderilen güvenlik uyarılarında yer almayan farklı kalıntı riskleri ortaya çıkabilir. Bu riskler yanlış kullanım, uzun süreli kullanım, vb. nedenlerden kaynaklanabilir.

İlgili güvenlik düzenlemeleri ve güvenlik cihazları uygulamaları yapılsa dahi, bazı kalıntı riskleri önlenemeyebilir. Bu riskler arasında aşağıdakiler bulunur:

- ◆ Dönen/hareket eden parçalara dokunulmasından kaynaklanan yaralanmalar.
- ◆ Parça, bıçak veya aksesuar değiştirilirken ortaya çıkan yaralanmalar.
- ◆ Bir aracın uzun süre kullanılmasından kaynaklanan yaralanmalar. Herhangi bir aracı uzun süre kullanıyorsanız, düzenli olarak kullanıma ara vermeyi unutmayın.
- ◆ İşitme kaybı
- ◆ Aracınızı kullanırken ortaya çıkan tozu solumanızdan kaynaklanan sağlık tehlikeleri (örneğin, tahta, özellikle de meşe, kayın ve MDF ürünleri ile çalışırken).

Kullanım

- ◆ İlk kullanımdan önce pilin en az 24 saat şarj edilmesi gerekmektedir.
- ◆ Kullanılmadığı zamanlarda, cihazı şarj ana ünitesi üzerine yerleştirin.

Pilin şarj edilmesi (şek. D)

- ◆ Cihazın kapalı olduğundan emin olun. Açma/kapatma düğmesi (4) açık konumundayken pil şarj olmayacaktır.
- ◆ Cihazı burada gösterildiği şekilde şarj ana ünitesine (7) yerleştirin.
- ◆ Şarj cihazını prize takın. Şebeke elektriği ile çalıştırın.

Şarj göstergesi yanacaktır.

- ◆ Cihazı en az 24 saat boyunca şarj edin.

Şarj sırasında şarj cihazı ısınabilir. Bu normal bir durumdur ve bir sorun olduğuna işaret etmez. Cihaz süresiz olarak şarj cihazına bağlı şekilde bırakılabilir. Cihaz, prize takılı olan şarj cihazına bağlı olduğu sürece şarj göstergesi yanacaktır.

Uyarı! Ortam sıcaklığı 4 °C'den düşük veya 40 °C'den yüksekse pili şarj etmeyin.

Cihazın açılması ve kapatılması (şek. E)

- ◆ Cihazı çalıştırmak için, açma/kapatma düğmesini (4) konum I'e gelecek şekilde ileriye kaydırın.
- ◆ Cihazı kapatmak için, açma/kapatma düğmesini (4) 0 konumuna gelecek şekilde geriye kaydırın.

Emiş gücünün en iyi duruma getirilmesi (şek. G – I)

Emiş gücünü en iyi durumda tutmak için, filtrelerin kullanım sırasında düzenli aralıklarla temizlenmesi gerekir.

- ◆ Serbest bırakma mandalına (6) basın ve hazne kapağını (5) açın (şek. F).
- ◆ Toz haznesini boşaltın.

Temizlik ve bakım

Haznenin döndürülmesi (şek. A) ile filtre içindeki tozun çıkarılmasını sağlayacak şekilde hareket eder. Ancak, filtrelerin çıkarılıp haznenin düzenli aralıklarla boşaltılması önemlidir (şek. J).

Uyarı! Filtreleri düzenli aralıklarla temizleyin (12 ve 13).

Toz haznesinin ve filtrelerin temizlenmesi (şek. G – K)

Hazne iki şekilde temizlenebilir; hızlı bir boşaltma yöntemi ve derinlemesine temizleme yöntemi. Hızlı boşaltma yöntemini gerçekleştirmek için aşağıdaki talimatları kullanın.

Filtreler yeniden kullanılabilir ve düzenli aralıklarla temizlenmelidir.

- ◆ Serbest bırakma mandalına (6) basın ve hazne kapağını (5) açın (şek. F).
- ◆ Toz haznesini boşaltın (11).
- ◆ Toz haznesi kapağını (5) kapatın. Serbest bırakma mandalının (6) klik sesiyle yerine oturduğundan emin olun.

Hazneye derinlemesine temizleme yöntemini uygulamak için aşağıdaki talimatları kullanın.

Toz haznesi (11) cihazın gövdesine süngü bağlanarak takılmıştır; toz haznesini çıkarmak için:

- ◆ Toz haznesi serbest bırakma düğmesine (2) basın ve toz haznesini (11) saat yönünün tersine doğru çevirin, sonra da hazneyi dikkatle cihazdan ayırarak çıkarın.
- ◆ Filtre kancasını (12) çevirerek dikey konuma getirin (şek. I).
- ◆ Filtreyi sallayıp tozu çıkarmak için filtre kancasını (12) kullanarak ön filtre (14) içindeki filtreyi (13) çevirin.
- ◆ Ana filtreyi çıkarın (13).
- ◆ Filtrenin (13) üzerindeki tozları fırçayla temizleyin.

Ön filtre (14) süngü yardımıyla takılmıştır; ön filtreyi çıkarmak için:

- ◆ Ön filtreyi (14), saat yönünün tersine doğru çevirin ve dikkatle toz haznesinden ayırarak çıkarın.
- ◆ Ön filtreyi (14), yerine oturana kadar saat yönünde çevirerek toz haznesine (11) takın.
- ◆ Ana filtreyi (13) ön filtreye (14) takın.
- ◆ Toz haznesini (11), yerine oturana kadar saat yönünde çevirerek cihaza takın.

Uyarı! Cihazı asla filtreleri olmadan kullanmayın. En iyi toz toplama performansını ancak temiz filtreler ile elde edebilirsiniz.

Filtrelerin değiştirilmesi

Filtreler her 6 ila 9 ayda bir değiştirilmenin yanı sıra, yıprandıklarında veya hasar gördüklerinde de değiştirilmelidir. Yedek filtreleri Black & Decker bayinizden temin edebilirsiniz (kat. no. VF90):

- ◆ Eski filtreleri yukarıda açıklandığı gibi çıkarın.
- ◆ Yeni filtreleri yukarıda açıklandığı gibi takın.

Çevrenin korunması



Ayrı toplanması gerekir. Bu ürün, normal ev çöpleriyle birlikte atılmamalıdır.

İleride Black & Decker ürününü değiştirmeye ya da cihazınızın artık kullanılmaz duruma geldiğine karar verirsiniz, bu ürün ev atıklarıyla birlikte atmayın. Bu ürünün ayrıca toplanmasını sağlayın.



Kullanılmış ürün ve ambalajların ayrı ayrı toplanması, bu maddelerin geri dönüştürülerek yeniden kullanılmasına olanak tanır. Geri dönüştürülmüş maddelerin yeniden kullanılması çevre kirliliğinin önlenmesine yardımcı olur ve hammadde talebini azaltır.

Belediyeler, elektrikli ev aletlerinin, yasal düzenlemelerle kendi gösterecekleri atık alanlarında ya da yeni bir ürün alındığında satıcı aracılığıyla ev çöplerinden ayrı toplanmasını sağlayabilir.

Black & Decker, sattığı ürünler kullanım ömürlerini tamamladığında, bu ürünlerin toplanıp geri dönüştürülmesine yönelik bir hizmet sunmaktadır. Bu hizmetten yararlanmak için, ürününüzü bir yetkili servise götürebilirsiniz. Yetkili servisler bu ürünleri bizim adımıza kabul etmektedir.

Bu elkitabında adresi bulunan yerel Black & Decker bürosuyla bağlantı kurarak size en yakın yetkili servisin yerini öğrenebilirsiniz. Ayrıca, yetkili Black & Decker servislerinin listesini, satış sonrası hizmetlerine ilişkin tüm ayrıntıları ve bağlantı bilgilerini aşağıdaki Internet adresinden edinebilirsiniz: www.2helpU.com

Teknik bilgiler

	PV9625N - H1	PV1225NB - H1 PV1225NPM - H1
Voltaj	Vda 9,6	12
Ağırlık	kg 1,52	1,58

	PV1425N - H1	PV1825N - H1
Voltaj	Vda 14,4	18
Ağırlık	kg 1,66	1,76

Şarj cihazı	CHA002014B/G
Giriş voltajı	Vaa 100-240
Çıkış voltajı	Vda 7,2-24
Çıkış akımı	mA 85
Yaklaşık şarj süresi	s 21
Ağırlık	kg 0,18

Ses basıncı düzeyi, EN 60704-1 direktifine uygun olarak ölçülmüştür: = 75 dB(A)

Garanti

Black & Decker kalitesine güvendiği ürünleri için seçkin bir garanti sunmaktadır. Bu garanti bildirimini yasal haklarınıza hiçbir şekilde zarar vermemekte, aksine katkı sağlamaktadır. Bu garanti Avrupa Birliği'ne Üye Ülkelerde ve Avrupa Serbest Ticaret Bölgesi'nde geçerlidir.

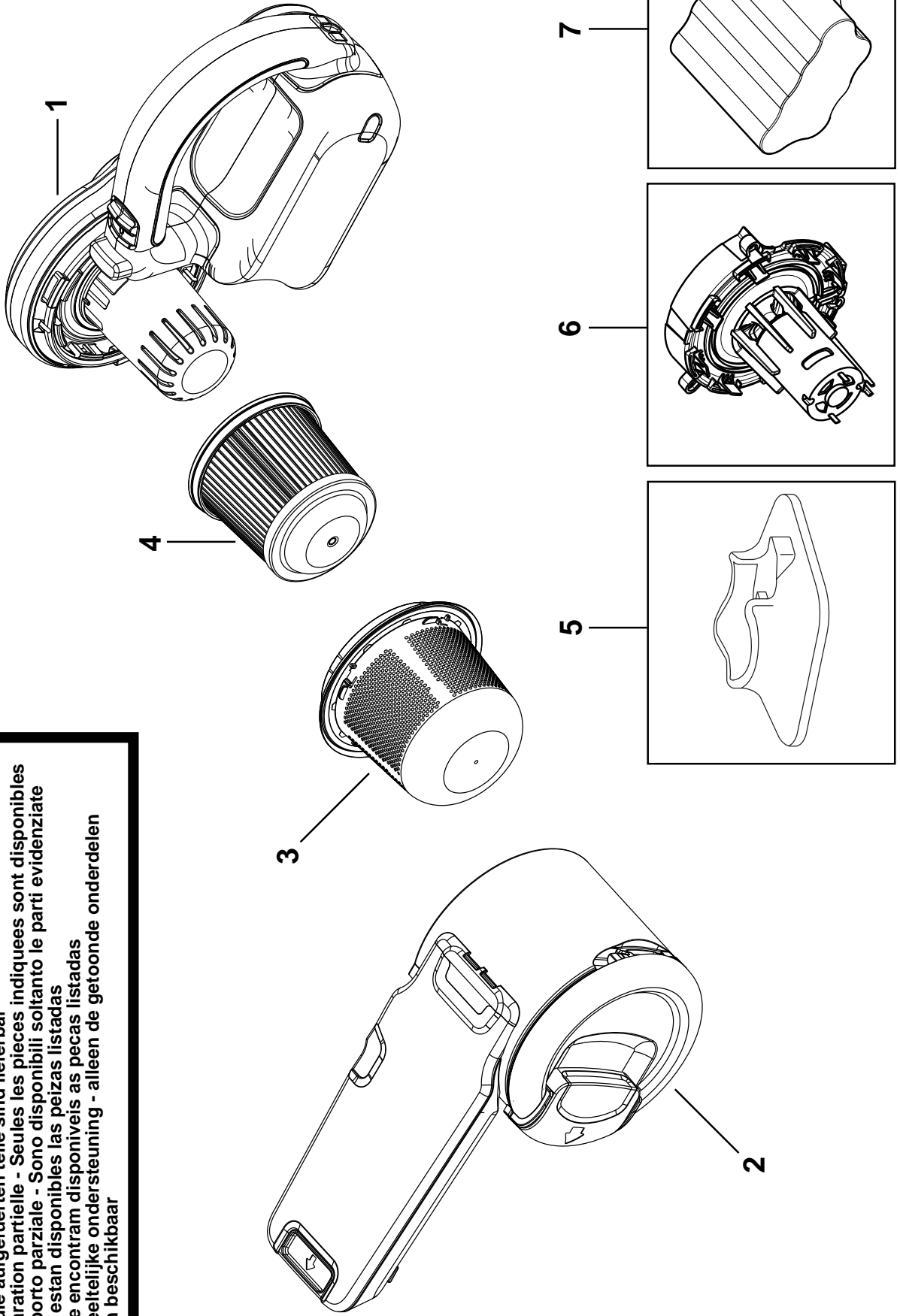
Bir Black & Decker ürünü, satın alma tarihinden itibaren 24 ay içinde hatalı malzeme, işçilik ya da standartlara uygun olmama nedeniyle bozulursa, Black & Decker arızalı parçaların değiştirilmesi, makul ölçüde aşınmış ve yıpranmış ürünlerin onarılması ya da bu ürünlerin müşteri için sağlanabilecek en uygun koşullarda değiştirilmesi garantisini vermektedir. Aşağıda belirtilen koşullar garanti kapsamında değildir:

- ◆ Ürün ticari veya mesleki amaçlarla ya da kiralama amacıyla kullanılmışsa.
- ◆ Ürün yanlış ya da dikkatsiz kullanılmışsa.
- ◆ Yabancı cisimlerle, maddelerle ya da kazayla ürüne zarar verilmişse.
- ◆ Black & Decker yetkili servisleri ya da servis elemanları dışındaki kişilerce onarılmaya çalışılmışsa.

Garanti kapsamında talepte bulunmak için satıcıya ya da yetkili servise faturanızı göstermeniz gerekmektedir. Bu elkitabında adresi bulunan yerel Black & Decker bürosuyla bağlantı kurarak size en yakın yetkili servisin yerini öğrenebilirsiniz. Ayrıca, yetkili Black & Decker servislerinin listesini, satış sonrası hizmetlerine ilişkin tüm ayrıntıları ve bağlantı bilgilerini www.2helpU.com adresindeki Internet sitesinden edinebilirsiniz.

Satın aldığınız yeni Black & Decker ürünü kaydetmek, ayrıca yeni ürünlerden ve özel fırsatlardan haberdar edilmek için lütfen www.blackanddecker.eu adresindeki Web sitemizi ziyaret ediniz. Black & Decker markasına ve ürün çeşitlerimize ilişkin daha ayrıntılı bilgiyi www.blackanddecker.eu adresinden edinebilirsiniz.

Partial support - Only parts shown available
Nur die aufgeführten teile sind lieferbar
Reparation partielle - Seules les pieces indiquees sont disponibles
Supporto parziale - Sono disponibili soltanto le parti evidenziate
Solo estan disponibles las peizas listadas
So se encontram disponibles as pecas listadas
Gedeeltelijke ondersteuning - alleen de getoonde onderdelen
zijn beschikbaar



ENGLISH

Do not forget to register your product!
www.blackanddecker.co.uk/productregistration

Register your product online at **www.blackanddecker.co.uk/productregistration** or send your name, surname and product code to Black & Decker in your country.

DEUTSCH

Vergessen Sie nicht, Ihr Produkt registrieren zu lassen!
www.blackanddecker.de/productregistration

Lassen Sie Ihr Produkt unter **www.blackanddecker.de/productregistration** online registrieren oder schicken Sie Ihren Nachnamen, Vornamen und den Produktcode an Black & Decker in Ihrem Land.

FRANÇAIS

N'oubliez pas d'enregistrer votre produit !
www.blackanddecker.fr/productregistration

Enregistrez votre produit en ligne sur **www.blackanddecker.fr/productregistration** ou envoyez vos nom, prénom et code produit à Black & Decker dans votre pays.

ITALIANO

Non dimenticate di registrare il prodotto!
www.blackanddecker.it/productregistration

Registrate il prodotto online su **www.blackanddecker.it/productregistration** o inviate nome, cognome e codice del prodotto al centro Black & Decker del vostro paese.

NEDERLANDS

Vergeet niet uw product te registreren!
www.blackanddecker.nl/productregistration

U kunt uw product online registreren op **www.blackanddecker.nl/productregistration** of u kunt uw voornaam, achternaam en productcode opsturen naar Black & Decker in uw land.

ESPAÑOL

¡No olvide registrar su producto!
www.blackanddecker.es/productregistration

Registre su producto on-line en **www.blackanddecker.es/productregistration** o envíe su nombre, apellidos y código de producto a Black & Decker en su país.

PORTUGUÊS

Não se esqueça de registrar o seu produto!
www.blackanddecker.pt/productregistration

Registe o seu produto online em www.blackanddecker.pt/productregistration ou envie o seu nome, apelido e código do produto para a Black & Decker no seu país.

SVENSKA

Glöm inte att registrera produkten!
www.blackanddecker.se/productregistration

Registrera produkten online på www.blackanddecker.se/productregistration eller skicka namn och produktkod till Black & Decker i landet du bor i.

NORSK

Ikke glem å registrere produktet ditt!
www.blackanddecker.no/productregistration

Registrer produktet ditt online på www.blackanddecker.no/productregistration, eller send ditt navn, etternavn og produktkode til Black & Decker i ditt eget land.

DANSK

Glem ikke at registrere dit produkt!
www.blackanddecker.dk/productregistration

Registrer dit produkt på internettet på: www.blackanddecker.dk/productregistration eller send dit navn, efternavn og produktkode til Black & Decker i dit eget land.

SUOMI

Muistathan rekisteröidä tuotteesi!
www.blackanddecker.fi/productregistration

Rekisteröi tuotteesi verkossa osoitteessa www.blackanddecker.fi/productregistration tai lähetä etunimesi, sukunimesi ja tuotekoodi oman maasi Black & Decker -edustajalle.

ΕΛΛΗΝΙΚΑ

Μην ξεχάσετε να καταχωρίσετε το προϊόν σας!
www.blackanddecker.gr/productregistration

Καταχωρίστε το προϊόν σας σε σύνδεση στη σελίδα www.blackanddecker.gr/productregistration ή στείλτε το όνομα, επίθετο σας και τον κωδικό πριονωτός στη Black & Decker στη χώρα σας.

België/Belgique	Black & Decker (Belgium) N.V. Nieuwlandlaan 321 3200 Aarschot	Tel. Fax	016 68 91 00 016 68 91 11
Danmark	Black & Decker Sluseholmen 2-4, 2450 København SV Internet: www.blackanddecker.dk	Tel. Fax	70 20 15 10 70 22 49 10
Deutschland	Black & Decker GmbH Black & Decker Str. 40, D - 65510 Idstein	Tel. Fax	06126/21 - 0 06126/21 29 80
Ελλάδα	Black & Decker (Ελλάς) A.E. Στράβωνος 7 & Λεωφ. Βουλιαγμένης 159 166 74 Γλυφάδα - Αθήνα	Τηλ. Φαξ www.blackanddecker.eu	210 8981616 210 8983285
España	Black & Decker Ibérica, S.C.A. Parc de Negocis "Mas Blau" Edificio Muntadas, c/Bergadá, 1, Of. A6 08820 El Prat de Llobregat (Barcelona)	Tel. Fax	934 797 400 934 797 419
France	Black & Decker (France) S.A.S. B.P. 21, 69571 Dardilly Cédex	Tel. Fax	04 72 20 39 20 04 72 20 39 00
Helvetia	ROFO AG Gewerbezone Seeblick 3213 Kleinbödingen	Tel. Fax	026-6749391 026-6749394
Italia	Black & Decker Italia SpA Viale Elvezia 2 20052 Monza (MI)	Tel. Fax Numero verde	039-23871 039-2387592/2387594 800-213935
Nederland	Black & Decker Benelux Joulehof 12, 4622 RG Bergen op Zoom	Tel. Fax	0164 - 283000 0164 - 283100
Norge	Black & Decker (Norge) A/S Postboks 4814, Nydalen, 0422 Oslo Internet: www.blackanddecker.no	Tlf. Fax	22 90 99 00 22 90 99 01
Österreich	Black & Decker Vertriebsges.m.b.H Oberlaaerstraße 246, A1100 Wien	Tel. Fax	01 66116-0 01 66116-14
Portugal	Black & Decker Rua Egas Moniz 173 S. João do Estoril 2766-651 Estoril	Tel. Fax	214667500 214667580
Suomi	Black & Decker Oy Keilasatama 3, 02150 Espoo Black & Decker Oy, Kägelhamnen 3, 02150 Esbo	Puh. Faksi Tel. Fax	010 400 430 (09) 2510 7100 010 400 430 (09) 2510 7100
Sverige	Black & Decker AB Fabriksg. 7, 412 50 Göteborg	Tel. Fax	031-68 60 60 031-68 60 80
United Kingdom	Black & Decker 210 Bath Road Slough, Berkshire SL1 3YD	Tel. Fax Helpline	01753 511234 01753 551155 01753 574277
Middle East & Africa	Black & Decker (Overseas) A.G. PB 5420, Dubai, United Arab Emirates	Tel. Fax	+971 4 2826464 +971 4 2826466