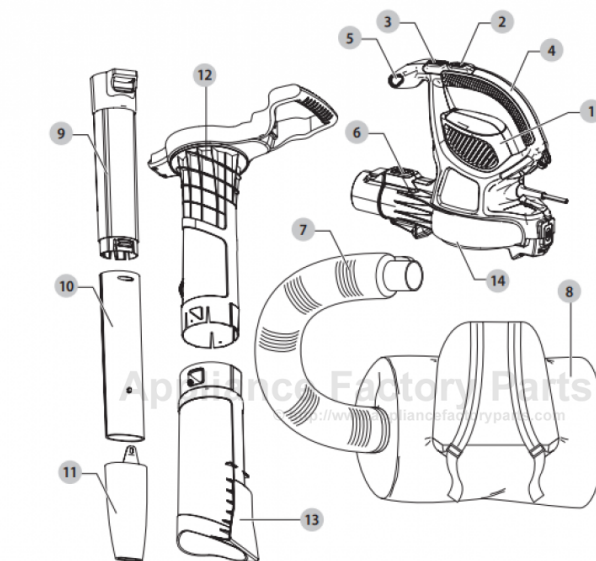


Black & Decker BEBL7000 Owner's Manual

[Shop genuine replacement parts for Black & Decker
BEBL7000](#)

Fig. A



- | | |
|----------------------------|---------------------------|
| 1 Power head | 8 Backpack collection bag |
| 2 On/Off Switch | 9 Upper blow tube |
| 3 POWERBOOST button | 10 Lower blow tube |
| 4 Main handle | 11 Concentrator |
| 5 Auxiliary handle | 12 Upper vac tube |
| 6 Release button | 13 Lower vac tube |
| 7 Flexible collection tube | 14 Fan cover |

WARNING! Read all safety warnings and all instructions. Failure to follow the warnings and instructions may result in electric shock, fire and/or serious injury.

WARNING: To reduce the risk of injury, read the instruction manual.

If you have any questions or comments about this or any BLACK+DECKER tool, call us toll free at: 1-800-544-6986.

[Find Your Black & Decker Vacuum Cleaner Parts - Select From 339 Models](#)

----- Manual continues below -----

BLACK+ **DECKER**™

INSTRUCTION MANUAL
MODE D'EMPLOI
MANUAL DE INSTRUCCIONES

BLOWER VACUUM
SOUFFLEUR ASPIRATEUR
SOPLADOR ASPIRADOR

BEBL7000

Please read before returning this product for any reason.

à LIRE avant de retourner ce produit pour quelque raison que ce soit.

LEA EL MANUAL antes de devolver este producto por cualquier motivo.

English (original instructions)	1
Français (<i>traduction de la notice d'instructions originale</i>)	10
Español (<i>traducido de las instrucciones originales</i>)	20

Definitions: Safety Alert Symbols and Words

This instruction manual uses the following safety alert symbols and words to alert you to hazardous situations and your risk of personal injury or property damage.



DANGER: Indicates an imminently hazardous situation which, if not avoided, **will** result in **death or serious injury**.



WARNING: Indicates a potentially hazardous situation which, if not avoided, **could** result in **death or serious injury**.



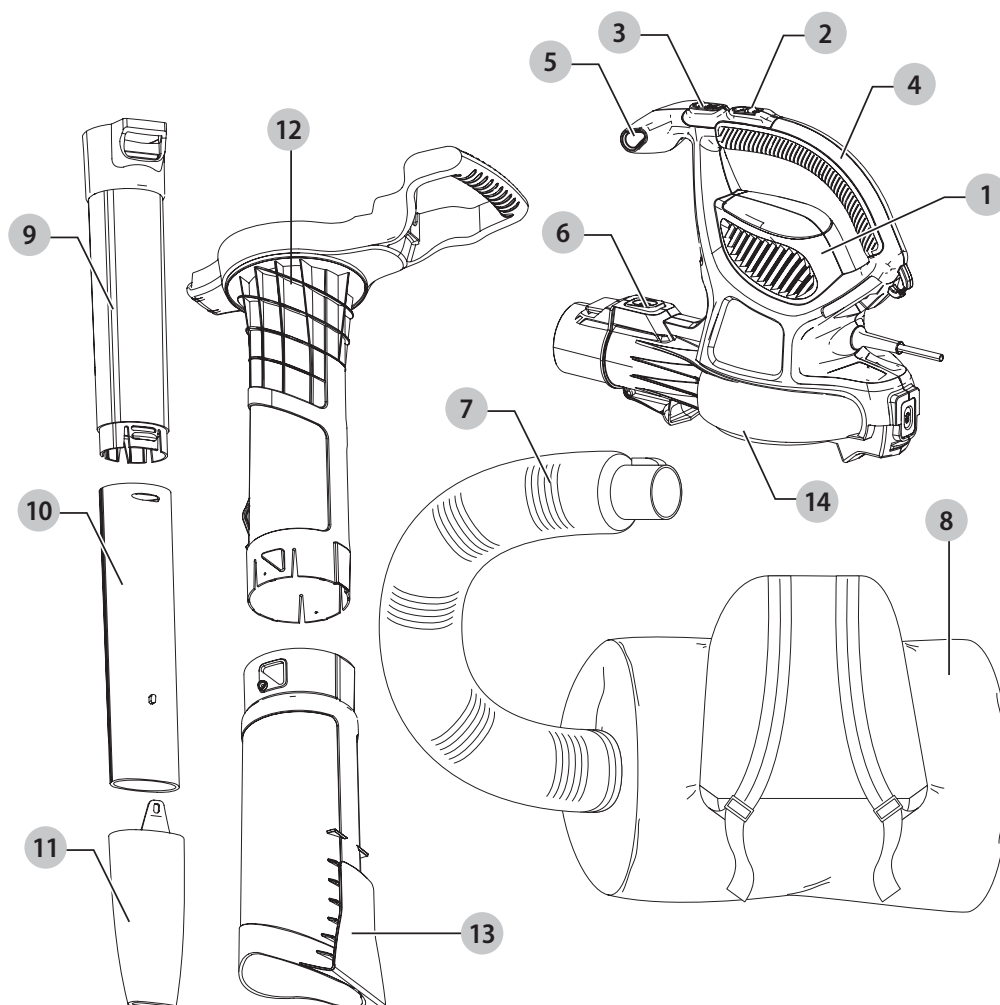
CAUTION: Indicates a potentially hazardous situation which, if not avoided, **may** result in **minor or moderate injury**.



(Used without word) Indicates a safety related message.

NOTICE: Indicates a practice **not related to personal injury** which, if not avoided, **may** result in **property damage**.

Fig. A



- | | |
|----------------------------|---------------------------|
| 1 Power head | 8 Backpack collection bag |
| 2 On/Off Switch | 9 Upper blow tube |
| 3 POWERBOOST button | 10 Lower blow tube |
| 4 Main handle | 11 Concentrator |
| 5 Auxiliary handle | 12 Upper vac tube |
| 6 Release button | 13 Lower vac tube |
| 7 Flexible collection tube | 14 Fan cover |



WARNING! Read all safety warnings and all instructions. Failure to follow the warnings and instructions may result in electric shock, fire and/or serious injury.



WARNING: To reduce the risk of injury, read the instruction manual.

If you have any questions or comments about this or any BLACK+DECKER tool, call us toll free at:
1-800-544-6986.

IMPORTANT SAFETY INSTRUCTIONS



WARNING: When using an electric tool, basic safety precautions should always be followed to reduce risk of fire, electric shock, and personal injury, including the following.



WARNING: To reduce the risk of fire, electric shock, or injury:

- Before any use, be sure everyone using this unit reads and understands all safety instructions and other information contained in this manual.
- Save these instructions and review frequently prior to use and in instructing others.
- Do not point unit discharge at self or bystanders.
- Keep long hair and loose clothing away from openings and moving parts.
- This appliance is intended for household use.



WARNING: Some dust created by this product contains chemicals known to the State of California to cause cancer, birth defects or other reproductive harm. Some examples of these chemicals are:

- compounds in fertilizers
- compounds in insecticides, herbicides and pesticides
- arsenic and chromium from chemically treated lumber

To reduce your exposure to these chemicals, wear approved safety equipment such as dust masks that are specially designed to filter out microscopic particles.

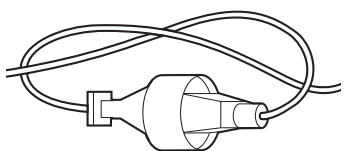
READ ALL AND UNDERSTAND ALL INSTRUCTIONS BEFORE USING THIS APPLIANCE

- DO NOT place outlet of blower near eyes or ears when operating.
- STORE IDLE UNITS. When not in use, the unit should be stored in a dry, high or locked-up place - out of reach of children.
- DON'T OVERREACH. Keep proper footing and balance at all times.
- MAINTAIN UNIT WITH CARE. Keep unit clean for best and safest performance. Follow instructions for proper maintenance.
- DO NOT attempt to repair the blower. To assure product safety and reliability, repairs, maintenance, and adjustments should be performed by BLACK+DECKER service centers or authorized service centers, always using BLACK+DECKER replacement parts.
- DO NOT operate blower in a gaseous or explosive atmosphere. Motors in these units normally spark, and the sparks might ignite fumes.
- AVOID DANGEROUS ENVIRONMENTAL CONDITIONS – Do not use electric units in damp or wet locations. Don't use the unit in the rain.
- STAY ALERT - Watch what you are doing. Use common sense. Do not operate unit when you are tired.
- USE THE RIGHT UNIT – Do not use this unit for any job except that for which it is intended.
- USE EXTRA CARE when cleaning on stairs.
- DO NOT allow to be used as a toy. Close attention is necessary when used by or near children. Not recommended for use by children.
- DO NOT attempt to clear clogs from unit without first unplugging.
- DO NOT use to pick up flammable or combustible liquids, such as gasoline, or use in areas where they may be present.
- DO NOT pick up anything that is burning or smoking, such as cigarettes, matches, or hot ashes.
- When in vacuum mode, DO NOT use without dust bag and/or filters in place.
- USE ONLY as described in this manual. Use only manufacturer's recommended attachments.
- DO NOT put any objects into openings. Do not use with any opening blocked; keep free of dust, lint, hair and everything that may reduce air flow.
- KEEP hair, loose clothing, fingers, and all parts of body away from openings and moving parts.
- DO NOT immerse any part of the unit in liquid.
- KEEP CHILDREN, BYSTANDERS AND ANIMALS AWAY from the work area a minimum of 30 feet (10 meters) when starting or operating the unit.
- INSPECT THE AREA before using the unit. Remove all debris and hard objects such as rocks, glass, wire, etc. that can ricochet, be thrown, or otherwise cause injury or damage during operation.
- DO NOT leave appliance when plugged in. Unplug from outlet when not in use and before servicing.
- DO NOT use with damaged cord or plug. If appliance is not working as it should, has been dropped, damaged, left outdoors, or dropped into water, return it to a service center.
- DO NOT pull or carry by cord, use cord as a handle, or pull cord around sharp edges or corners. Keep cord away from heated surfaces.
- DO NOT unplug by pulling on cord. To unplug, grasp the plug, not the cord.
- Do not handle plug or appliance with wet hands.
- Turn off all controls before unplugging.
- This appliance is provided with double insulation. Use only identical replacement parts. See instructions for Servicing of Double-Insulated Appliances.
- To reduce the risk of electric shock, use only with an extension cord intended for outdoor use, such as SJW or SJTW.
- Make sure your extension cord is in good condition and is the correct size for your appliance. The Minimum Gauge for Cord Sets chart below shows the correct size to use depending on cord length and nameplate ampere rating. If in doubt, use the next heavier gage. The smaller the gage number, the heavier the cord. An undersized extension cord will cause a drop in line voltage resulting in loss of power and overheating
- Maintain Appliance With Care – Inspect extension cords periodically and replace if damaged.
- To reduce the risk of disconnection of appliance cord from the extension cord during operating:
 - i) Make a knot as shown in figure B; or
 - ii) Use one of the plug-receptacle retaining straps or connectors described in this manual.

OR

 - iii) Secure the extension cord to the appliance plug as shown or described in the Operating Instructions.

fig. B



! WARNING: To reduce the risk of personal injury due to a loose electrical connection between the appliance's plug and extension cord, firmly and fully attach the appliance plug to the extension cord. Periodically check the connection while operating to ensure it is fully attached. Do not use an extension cord that provides a loose connection. A loose connection may result in overheating, fire, and increases the risk of a burning.

! WARNING: Always wear proper personal hearing protection that conforms to ANSI S12.6 (S3.19) during use. Under some conditions and duration of use, noise from this product may contribute to hearing loss.

! WARNING: ALWAYS use safety glasses. Everyday eyeglasses are NOT safety glasses. Also use face or dust mask if operation is dusty. ALWAYS WEAR CERTIFIED SAFETY EQUIPMENT:

- ANSI Z87.1 eye protection (CAN/CSA Z94.3),
- ANSI S12.6 (S3.19) hearing protection,
- NIOSH/OSHA/MSHA respiratory protection.

! WARNING: To reduce the risk of electrical shock; do not expose to rain. Store indoors.

! WARNING: Cut Hazard. Turn off and unplug unit, then wait until fan stops or at least 10 seconds before removing the blower or vacuum tube assemblies.

Servicing of Double Insulated Appliances

A double-insulated appliance is marked with one or more of the following: The words "DOUBLE INSULATION" or "DOUBLE INSULATED" or the double insulation symbol

Your Blower/Vac is double-insulated to give you added safety. In a double insulated appliance, two systems of insulation are provided instead of grounding. No grounding means is provided on a double insulated appliance, nor should a means for grounding be added to the appliance. Servicing a double insulated appliance requires extreme care and knowledge of the system and should be done only by qualified service personnel. Replacement parts for a double insulated appliance must be identical to the parts they replace. A double insulated appliance is marked with the words double insulated or "double insulation". The symbol (square within a square) may also be marked on the appliance.

Safety Rules and Instructions: Extension Cords

Double insulated tools have 2-wire cords and can be used with 2-wire or 3-wire extension cords. Only round jacketed extension cords should be used, and we recommend that they be listed by Underwriters Laboratories (U.L.) (C.S.A. in Canada). If the extension will be used outside, the cord must

be suitable for outdoor use. Any cord marked as outdoor can also be used for indoor work.

An extension cord must have adequate wire size (AWG or American Wire Gauge) for safety, and to prevent loss of power and overheating. The smaller the gauge number of the wire, the greater the capacity of the cable, that is 16 gauge has more capacity than 18 gauge. When using more than one extension to make up the total length, be sure each individual extension contains at least the minimum wire size. Before using an extension cord, inspect it for loose or exposed wires, damaged insulation, and defective fittings. Make any needed repairs or replace the cord if necessary.

Minimum Gauge for Cord Sets

Volts	Total Length of Cord in Feet (meters)				
	120 V	25 (7.6)	50 (15.2)	100 (30.5)	150 (45.7)
240 V	50 (15.2)	100 (30.5)	200 (61.0)	300 (91.4)	
Ampere Rating		American Wire Gauge			
More Than	Not More Than				
0	6	18	16	16	14
6	10	18	16	14	12
10	12	16	16	14	12
12	16	14	12	Not Recommended	

Safety Rules and Instructions:

Polarized Plug

To reduce the risk of electric shock, this equipment has a polarized plug (one blade is wider than the other). This equipment must be used with a suitable polarized 2 wire or 3 wire extension cord. Polarized connections will fit together only one way. Make sure that the receptacle end of the extension cord has large and small blade slot widths. If the plug does not fit fully into the extension cord, reverse the plug. If it still does not fit, obtain a suitable extension cord. If the extension cord does not fit fully into the outlet, contact a qualified electrician to install the proper outlet. Do not change the tool plug or extension cord in any way.

The label on your tool may include the following symbols. The symbols and their definitions are as follows:

- | | | | |
|--------------|---------------------------------|---------------|--|
| V | volts | or AC/DC..... | alternating or direct current |
| Hz | hertz | | Class II Construction (double insulated) |
| min | minutes | | earthing terminal |
| or DC..... | direct current | | safety alert symbol |
| | Class I Construction (grounded) | | visible radiation |
| no | no load speed | | wear respiratory protection |
| n | rated speed | | wear eye protection |
| .../min..... | per minute | | wear hearing protection |
| BPM..... | beats per minute | | alternating current |
| IPM..... | impacts per minute | | |
| RPM..... | revolutions per minute | | |
| sfpn | surface feet per minute | | |
| SPM..... | strokes per minute | | |
| A | amperes | | |
| W | watts | | |
| | alternating current | | |

SAVE THESE INSTRUCTIONS FOR FUTURE USE

COMPONENTS (FIG. A)

! WARNING: Never modify the power tool or any part of it. Damage or personal injury could result.

Refer to Figure A at the beginning of this manual for a complete list of components.

INTENDED USE

This appliance is designed for household outdoor blower applications.

DO NOT use under wet conditions or in presence of flammable liquids or gases.

DO NOT let children come into contact with the tool. Supervision is required when inexperienced operators use this tool.

ASSEMBLY AND ADJUSTMENTS

! WARNING: To reduce the risk of serious personal injury, turn unit off and unplug before making any adjustments or removing/installing attachments or accessories. An accidental start-up can cause injury.

! WARNING: Before attempting any of the assembly steps below, ensure product is switched off and disconnected from the power supply.

ASSEMBLY FOR BLOW MODE

Blow Tube Assembly (Fig. C–E)

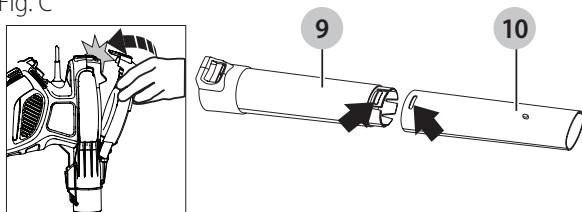
- Fit fan cover **14** as shown in Fig. C until audible click is heard.

! CAUTION: CUT HAZARD. Ensure fan cover **14** is securely seated and latched into position.

NOTE: Unit will not operate in blow mode without fan cover in place.

- Align the upper **9** and lower tubes **10** as shown in Fig. C.
- Push the lower tube firmly into the upper tube, until the tubes click into place.

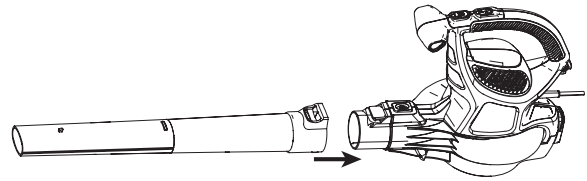
Fig. C



- Blow tubes must be assembled to the power head before use.
- Never operate without both lower and upper tubes assembled.
- In the interest of safety, it is not intended for the tubes to be separated once assembled.

- Push the tube assembly onto the power head until it is in the fully locked in position and an audible click is heard. (Fig. D).

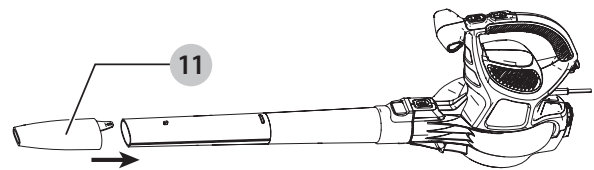
Fig. D



! CAUTION: CUT HAZARD. Ensure the tube assembly is securely seated and latched into position.

- Use the air concentrator attachment **11** to target air flow to a tighter area. Add the attachment to the assembly as shown in Fig. E. Push on until hole in tab engages raised post on tube.

Fig. E

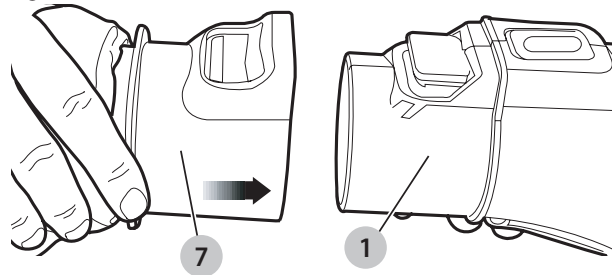


ASSEMBLY FOR VACUUM MODE

Attaching Flexible tube to Power head (Fig. F, Q)

- Align the power head **1** and flexible collection tube **7** as shown in Fig. F.
- Push the flexible collection tube assembly onto the power head until it is in the fully locked position and an audible click is heard. (Fig. F).
- Seal the collection bag **8**, roll the open end of the bag and latch the retaining clip **17** closed as shown in Fig. Q.

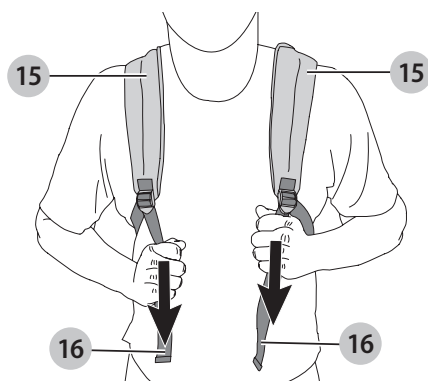
Fig. F



Adjusting harness (Fig. G)

- Place the shoulder straps **15** over your shoulders.
- Pull the adjustment straps **16** down until the backplate is firm against your back as shown in Fig. G.

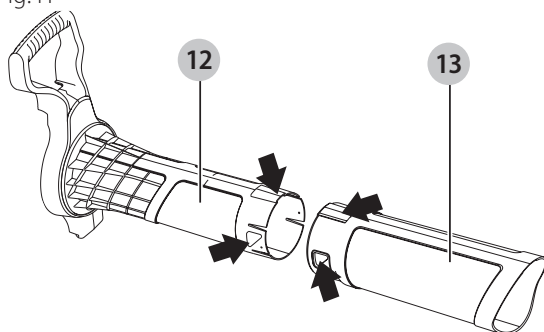
Fig. G



Vacuum Tube Assembly (Fig. H–J)

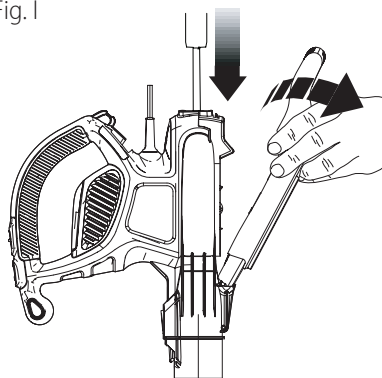
- Vacuum tubes must be assembled together before use.
- Align the notches and the triangles on upper **12** and lower **13** tubes. (Fig. H)

Fig. H



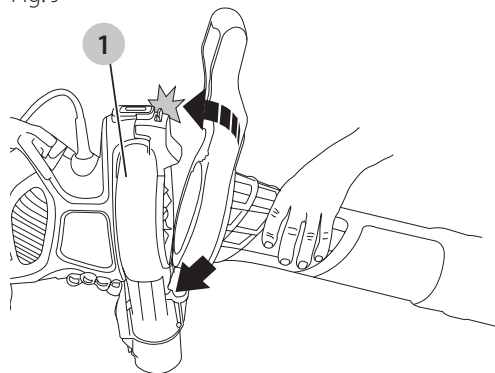
- Push the lower tube firmly into the upper tube, until the triangles click into place. (Never operate apart).
- In the interest of safety, it is not intended for the tubes to be separated once assembled.
- Remove the fan cover **14** from the bottom of the power head by inserting a screwdriver/hex key in the slot on the end of the fan cover (located on the back of the power head) to actuate the internal release, and remove the fan cover (Fig. I).

Fig. I



- Attach the vacuum tube assembly to the power head (Fig. J) by locating the assembly as indicated by arrow, then pivot about this point until the locking/release catch is fully engaged.

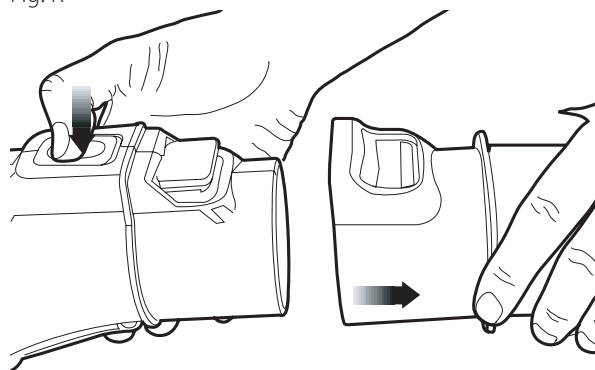
Fig. J



Removing Blow Tube or Flexible Collection Tube (Fig. K)

1. To remove the blow tube or flexible collection tube, depress the release button **6** on the power head and pull straight off (Fig. K).

Fig. K



OPERATION

- ⚠ **WARNING:** Do not operate blower without blow tube or flexible collection tube securely in place. Never reach down into housing through tube hole.

USE AS A BLOWER

- ⚠ **WARNING:** Always wear safety glasses. Wear a filter mask if the operation is dusty. Use of rubber gloves and substantial footwear is recommended when working outdoors. For household use only.
- ⚠ **WARNING:** Cut Hazard. When turning the tool off for tube installation or any other reason, wait 10 seconds for the fan to stop rotating before disassembly.

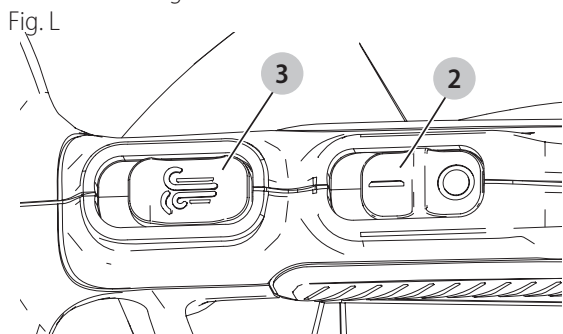
- Do not use in vacuum mode without the vacuum tubes and collection bag in place.
- Always switch off and remove the plug from the electrical supply when:
 - Changing from blower to vacuum or back.
 - The power supply cord has become damaged or entangled.
 - You leave blower/vac unattended.
 - Clearing a blockage.
 - Checking, adjusting, cleaning or working on blower/vac.
- Use blower/vac only in daylight or good artificial light.

Switching On/Off (Fig. L)

- ! WARNING:** Use both hands to grip the product firmly when switching on.
- ! CAUTION:** Do not point unit discharge at self or bystanders.
- ! WARNING:** Cut Hazard. When turning the tool off for tube installation or any other reason, wait 10 seconds for the fan to stop rotating before disassembly.

Your blower is fitted with a on/off switch located on the top of the power head handle **4**.

- To switch the blower on, slide the on/off **2** switch forward as shown in Fig. L.
- To switch the blower off, slide the on/off **2** switch back as shown in Fig. L.



POWERBOOST FEATURE

The POWERBOOST feature is located on the powerhead. It allows you to optimize the tool's performance and boost the power as needed.

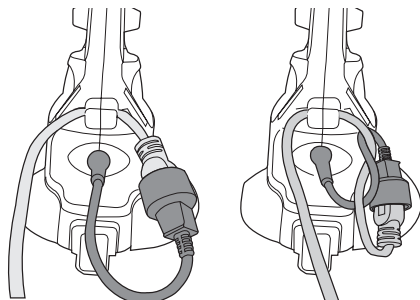
- Switch the blower ON.
- To activate the "Boost" mode, slide the POWERBOOST button **3** towards the auxillary handle.
- To deactivate the "Boost" mode, slide the POWERBOOST button **3** away from the auxillary handle.

NOTE: Operate in "Normal" mode for most blowing needs. Activate "Boost" mode as needed to clear or vacuum heavy debris.

Cord Retainer (Fig. M)

- A cord retainer is incorporated into the rear of the power head. It can be used in two different ways:
- To use the cord retainer as shown in Fig. M, hook the extension cord under the retainer. Then plug the cord from the power head into the extension cord.
- To use the cord retainer as shown in Fig. M, loop the extension cord over the power head cord and plug the two ends into each other. Then hook the extension cord under the retainer.

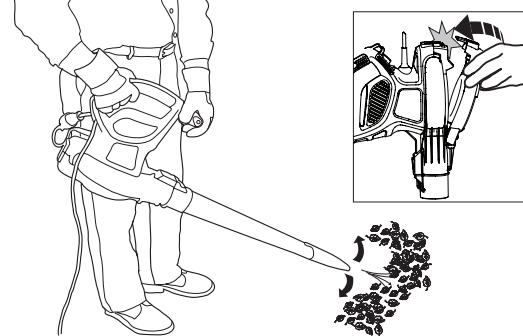
Fig. M



Use As A Blower (Fig. D, M, N)

- ! WARNING:** Ensure product is switched off and disconnected from the power supply.
- Fit fan cover **14** as shown in Fig. N until audible click is heard.
- ! CAUTION:** CUT HAZARD. Ensure fan cover **14** is securely seated and latched into position.
- Attach the blow tube assembly to the power head as shown in Fig. D.
- Connect the cord on the power head to the power supply (Fig. M).
- Hold the blow tube approximately 7 inches (180 mm) above the ground, turn the blower/vac on and using a sweeping motion from side to side, advance slowly keeping the accumulated debris/leaves in front of you as shown in Fig. N.

Fig. N



- Once you have blown the debris/leaves into a pile, you can convert to vacuum mode to collect the debris.
- Using the air concentrator will help remove matted debris and leaves.

USE AS A VACUUM

Vacuum Mode (Fig. F, I, J, Q, M, O)

- ! WARNING:** Ensure product is switched off and disconnected from the power supply.

To fit the leaf collection bag assembly to product:

- Remove blow tube.
- Push the flexible collection tube assembly onto the power head until it is in the fully locked position and an audible click is heard. (Fig. F).

- ! WARNING:** Do not operate blower without blow tube or flexible collection tube *securely in place*. Never reach down into housing through tube hole.

- Remove the fan cover **14** from the bottom of the power head by inserting a screwdriver/hSex key in the slot on the end of the fan cover (located on the back of the power head), and removing the fan cover. (Fig. I)
- Attach the vacuum tube assembly to the power head (Fig. J) by locating the assembly as indicated by arrow, then pivot about this point until the locking/release catch is fully engaged and an audible click is heard..
- ! CAUTION:** CUT HAZARD. Ensure the vacuum tube assembly is securely seated and latched into position.
- Roll the open end of the bag and latch the retaining clip **17** closed. (Fig. Q)

- Connect the cord on the power head to the power supply (Fig. M).
- Position the tube slightly above the debris/leaves. Turn the blower/vac on, then using a sweeping motion the debris/leaves will be sucked up the tube, mulched and deposited into the collection bag (Fig. O).

As the collection bag fills, the suction power will decrease. Turn the blower/vac off and unplug from power supply before emptying collection bag.

Fig. O

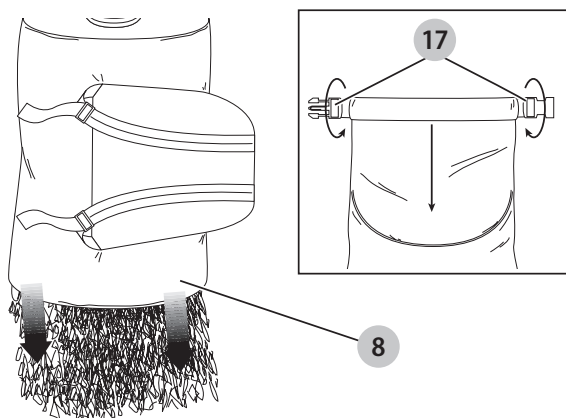


Emptying Back Pack Collection Bag (Fig. P, Q)

CAUTION: NEVER REMOVE THE COLLECTION BAG WITHOUT FIRST TURNING OFF AND UNPLUGGING THE VACUUM.

- Empty the back pack collection bag **8** by unlatching the retaining clip **17** and unrolling the bag as shown in Fig. P.

Fig. P

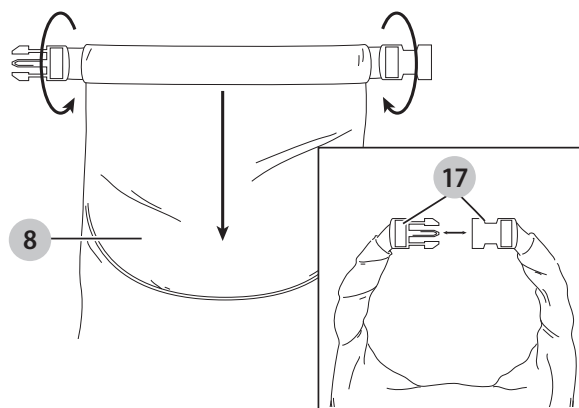


NOTE: If the suction decreases and the bag is not full, the vacuum tube is probably clogged with debris. Turn off and unplug the blower/vac and clear the tube before continuing.

- To re-seal the collection bag **8**, roll the open end of the bag and latch the retaining clip **17** closed as shown in Fig. Q.

WARNING: Do not operate blower without blow tube or flexible collection tube securely in place. Never reach down into housing through tube hole.

Fig. Q



MAINTENANCE

WARNING: To reduce the risk of serious personal injury, turn unit off and unplug before making any adjustments or removing/installing attachments or accessories. An accidental start-up can cause injury.

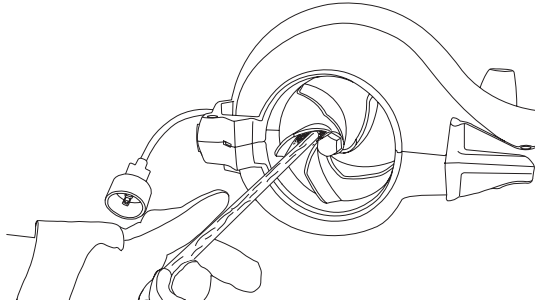
Cleaning

WARNING: Blow dirt and dust out of all air vents with clean, dry air at least once a week. To minimize the risk of eye injury, always wear ANSI Z87.1 approved eye protection when performing this.

WARNING: Never use solvents or other harsh chemicals for cleaning the non-metallic parts of the tool. These chemicals may weaken the plastic materials used in these parts. Use a cloth dampened only with water and mild soap. Never let any liquid get inside the tool; never immerse any part of the tool into a liquid.

WARNING: TURN OFF AND UNPLUG TOOL! (Unplug extension cord at power source.)

Use only mild soap and a damp cloth to clean the tool. Never let any liquid get inside the tool; never immerse any part of the tool into a liquid. Clean out any clippings which may have accumulated in the Blower/Vac. When used properly with dry leaves the fan chamber of your Blower/Vac should remain clean. If damp earth and debris are ingested some of the particles may build up on the inside of the fan chamber. If this happens the performance of the unit will decrease. This area can be cleaned out using a wooden stick as shown in Fig. R after disconnecting from the power source. Your Blower/Vac should be stored in a dry place.



! WARNING: SHOCK HAZARD. DO NOT POUR OR SPRAY WATER ON THE TOOL IN AN ATTEMPT TO CLEAN.

Do not store the tool on or adjacent to fertilizers or chemicals. Such storage can cause rapid corrosion of the metal parts.

IMPORTANT: To assure product SAFETY and RELIABILITY, repairs, maintenance and adjustment (other than those listed in this manual) should be performed by authorized service centers or other qualified service personnel, always using identical replacement parts.

Accessories

! WARNING: Since accessories, other than those offered by BLACK+DECKER, have not been tested with this product, use of such accessories with this tool could be hazardous. To reduce the risk of injury, only BLACK+DECKER recommended accessories should be used with this product.

Recommended accessories for use with your tool are available from your local dealer or authorized service center. If you need assistance regarding accessories, please call: 1-800-544-6986.

Repairs

! WARNING: To assure product SAFETY and RELIABILITY, repairs, maintenance and adjustment (including brush inspection and replacement) should be performed by a BLACK+DECKER factory service center or a BLACK+DECKER authorized service center. Always use identical replacement parts.

Register Online

Thank you for your purchase. Register your product now for:

- **WARRANTY SERVICE:** Registering your product will help you obtain more efficient warranty service in case there is a problem with your product.
- **CONFIRMATION OF OWNERSHIP:** In case of an insurance loss, such as fire, flood or theft, your registration of ownership will serve as your proof of purchase.
- **FOR YOUR SAFETY:** Registering your product will allow us to contact you in the unlikely event a safety notification is required under the Federal Consumer Safety Act.

Register online at www.blackanddecker.com/register.

TWO-YEAR LIMITED WARRANTY

Black & Decker (U.S.) Inc. warrants this product to be free from defects in material or workmanship for a period of two (2) years following the date of purchase, provided that the product is used in a home environment. This limited warranty does not cover failures due to abuse, accidental damage or when repairs have been made or attempted by anyone other than BLACK+DECKER and its Authorized Service Centers. A defective product meeting the warranty conditions set forth herein will be replaced or repaired at no charge in either of two ways:

The first, which will result in exchanges only, is to return the product to the retailer from whom it was purchased (provided that the store is a participating retailer). Returns should be made within the time period of the retailer's policy for exchanges. Proof of purchase may be required. Please check with the retailer for its specific return policy regarding time limits for returns or exchanges. The second option is to take or send the product (prepaid) to a BLACK+DECKER owned or authorized Service Center for repair or replacement at BLACK+DECKER's option. Proof of purchase may be required. BLACK+DECKER owned and authorized service centers are listed online at www.blackanddecker.com.



This warranty does not apply to accessories. This warranty gives you specific legal rights and you may have other rights which vary from state to state. Should you have any questions, contact the manager of your nearest BLACK+DECKER Service Center. This product is not intended for commercial use, and accordingly, such commercial use of this product will void this warranty. All other guarantees, express or implied, are hereby disclaimed.

LATIN AMERICA: This warranty does not apply to products sold in Latin America. For products sold in Latin America, check country specific warranty information contained in the packaging, call the local company or see the website for such information.

LATIN AMERICA: This warranty does not apply to products sold in Latin America. For products sold in Latin America, see country specific warranty information contained in the packaging, call the local company or see website for warranty information.

FREE WARNING LABEL REPLACEMENT: If your warning labels become illegible or are missing, call 1-800-544-6986 for a free replacement.

Imported by Black & Decker (U.S.) Inc.,
701 E. Joppa Rd.
Towson, MD 21286

  **BlackandDecker.com**
1-800-544-6986

TROUBLESHOOTING

For assistance with your product, visit our website www.blackanddecker.com for the location of the service center nearest you or call the BLACK+DECKER help line at: **1-800-544-6986**.

Problem	Possible Cause	Possible Solution
Unit will not start.	Fan cover or vac tube not installed.	Install fan cover for blow mode or vac tube for vac mode.
	Cord not plugged in.	Plug tool into a working outlet.
	Circuit fuse is blown.	Replace circuit fuse. (If the product repeatedly causes the circuit fuse to blow, discontinue use immediately and have it serviced at a BLACK+DECKER service center or authorized servicer.)
	Circuit breaker is tripped.	Reset circuit breaker. (If the product repeatedly causes the circuit breaker to trip, discontinue use immediately and have it serviced at a BLACK+DECKER service center or authorized servicer.)
	Cord or switch is damaged.	Have cord or switch replaced at BLACK+DECKER Service Center or Authorized Servicer.
Unit jammed or clogged.	Debris blocking inlet/outlet or fan.	Unplug power cord. Remove vac tube. Refer to <i>Cleaning - Maintenance</i> .

Définitions : symboles et termes d'alarmes sécurité

Ces guides d'utilisation utilisent les symboles et termes d'alarmes sécurité suivants pour vous prévenir de situations dangereuses et de risques de dommages corporels ou matériels.



DANGER : indique une situation dangereuse imminente qui, si elle n'est pas évitée, **entraînera la mort ou des blessures graves**.



AVERTISSEMENT : indique une situation potentiellement dangereuse qui, si elle n'est pas évitée, **pourrait entraîner la mort ou des blessures graves**.



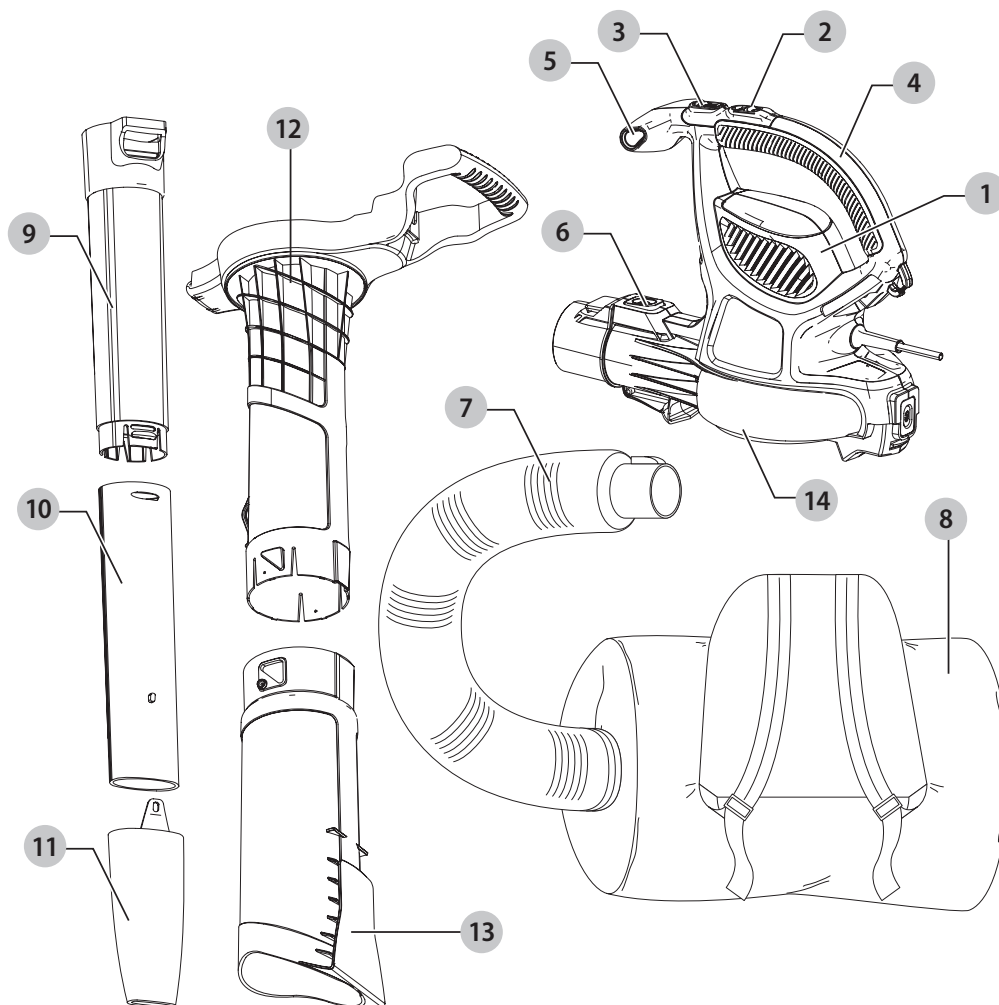
ATTENTION : indique une situation potentiellement dangereuse qui, si elle n'est pas évitée, **pourrait entraîner des blessures légères ou modérées**.



(Si utilisé sans aucun terme) Indique un message propre à la sécurité.

AVIS : indique une pratique ne posant **aucun risque de dommages corporels** mais qui par contre, si rien n'est fait pour l'éviter, **pourrait poser des risques de dommages matériels**.

Fig. A



- | | |
|------------------------------|--------------------------------|
| 1 Tête de pompe | 9 Tube de soufflage supérieur |
| 2 Bouton Marche/Arrêt | 10 Tube de soufflage inférieur |
| 3 Bouton POWERBOOST | 11 Concentrateur |
| 4 Poignée principale | 12 Tube d'aspiration supérieur |
| 5 Poignée auxiliaire | 13 Tube d'aspiration inférieur |
| 6 Bouton déclencheur | 14 Capot du ventilateur |
| 7 Tube de ramassage flexible | |
| 8 Sac à dos de ramassage | |



AVERTISSEMENT! lire tous les avertissements de sécurité et toutes les directives. Le non-respect des avertissements et des directives pourrait se solder par un choc électrique, un incendie et/ou une blessure grave.



AVERTISSEMENT : afin de réduire le risque de blessures, lire le mode d'emploi de l'outil.

Pour toute question ou remarque au sujet de cet outil ou de tout autre outil BLACK+DECKER, composez le numéro sans frais : 1-800-544-6986.

AVERTISSEMENTS DE SÉCURITÉ IMPORTANTS



AVERTISSEMENT : afin de réduire les risques d'incendie, de secousses électriques ou de blessures lorsqu'on utilise des outils électriques, il faut toujours respecter les mesures de sécurité suivantes.



AVERTISSEMENT : pour réduire les risques d'incendie, de secousses électriques ou de blessures :

- Avant tout usage, s'assurer que tout utilisateur de cet appareil lise et comprenne les directives de sécurité ainsi que l'information comprise dans le présent manuel.
- Conserver ces directives et les examiner fréquemment avant d'utiliser l'appareil ou de donner des directives aux autres.
- Ne pas diriger la zone d'évacuation de l'appareil vers soi ou des personnes à proximité.
- Éloigner les cheveux longs et les vêtements amples des ouvertures et des pièces mobiles.
- Cet appareil est conçu pour un usage commercial.



AVERTISSEMENT : le produit génère de la poussière qui peut renfermer des produits chimiques. Selon l'état de la Californie, ces produits chimiques peuvent causer le cancer ainsi que des malformations congénitales, et ils présentent d'autres dangers au système reproductif humain. Voici des exemples de tels produits chimiques :

- les composés d'engrais;
- les composés d'insecticides, d'herbicides et de pesticides;
- l'arsenic et le chrome provenant de bois traité.

Afin de minimiser les risques, porter de l'équipement de sécurité approuvé comme des masques antipoussières spécialement conçu pour filtrer les particules microscopiques.

LISEZ ET COMPRENEZ TOUTES LES INSTRUCTIONS AVANT D'UTILISER CET APPAREIL

- NE PAS placer la sortie du souffleur près de yeux ou des oreilles lorsque vous l'utilisez.
- ENTREPOSEZ LES APPAREILS ARRÊTÉS. Lorsque vous ne l'utilisez pas, l'appareil doit être entreposé dans un sec élevé ou verrouillé, hors de portée des enfants.
- NE PAS S'ÉTIRER. Maintenez vos pieds bien d'aplomb sur le sol et un bon équilibre en tout temps.
- ENTRETENEZ SOIGNEUSEMENT L'APPAREIL. Gardez l'appareil pour la meilleure performance et la plus sécuritaire. Suivez les instructions pour un entretien approprié.
- NE PAS tenter de réparer le souffleur. Afin d'assurer la sécurité et la fiabilité du produits, les réparations, l'entretien et les ajustements doivent être effectués par un centre de services BLACK+DECKER ou des centres de services autorisés, utilisant toujours des pièces de remplacement BLACK+DECKER.
- NE PAS utiliser le souffleur dans une atmosphère gazeuse ou explosive. Les moteurs des ces appareils produisent des étincelles et ces étincelles pourraient enflammer les vapeurs.
- ÉVITEZ LES CONDITIONS ENVIRONNEMENTALES DANGEREUSES : ne pas utiliser des appareils électriques dans des endroits humides ou mouillés. Ne pas utiliser l'appareil sous la pluie.
- DEMEUREZ VIGILANT : regardez ce que vous faites. Faites preuve de bon sens. Ne pas utiliser l'appareil lorsque vous êtes fatigué.
- UTILISEZ LE BON APPAREIL : ne pas utiliser cet appareil pour toute tâche autre que celles pour lesquelles il est conçu.
- SOYEZ TRÈS PRUDENT durant le nettoyage des escaliers.
- NE PAS le laisser être utilisé comme un jouet. Une attention particulière est nécessaire lorsque l'appareil est utilisé par des enfants ou près des enfants. L'utilisation par des enfants n'est pas recommandée.
- NE PAS tenter de dégager les obstructions de l'appareil dans d'abord le débrancher.
- NE PAS utiliser pour ramasser des liquides combustibles ou inflammables, comme l'essence ou utiliser dans des endroits où ils sont présents.
- NE PAS ramasser tout ce qui brûle ou fume comme des cigarettes, des allumettes ou des cendres chaudes.
- En mode Aspiration, NE PAS utiliser sans le sac à poussière et/ou les filtres en place.
- UTILISEZ SEULEMENT comme il est décrit dans ce manuel. Utilisez seulement les accessoires recommandés du fabricant.
- NE PAS mettre tout objet dans les ouvertures. Ne pas utiliser si une ouverture est bloquée; tenez à l'écart de la poussière, de la charpie ainsi que des cheveux et de tout ce qui peut réduire la circulation de l'air.
- GARDEZ vos cheveux, vêtements amples, doigts et toutes les parties de votre corps loin des ouvertures et des pièces en mouvement.
- NE PAS immerger toute partie de l'appareil dans un liquide.
- GARDEZ LES ENFANTS, PASSANTS ET ANIMAUX LOIN de la zone de travail à un minimum de 30 pieds (10 mètres) lorsque vous démarrez ou utilisez l'appareil.
- INSPECTEZ LA ZONE avant d'utiliser l'appareil. Retirez tous des débris et les objets durs comme des roches, du verre, les câbles, etc. qui peuvent ricocher, être projetés ou sinon causer une blessure ou des dommages durant l'utilisation.
- NE PAS laisser l'appareil lorsqu'il est branché. Débranchez-le de la prise lorsqu'il n'est pas utilisé et avant l'entretien.
- NE PAS utiliser avec un cordon ou une fiche endommagés. Si l'appareil ne fonctionne pas comme il le devrait, a été échappé, endommagé, laissé à l'extérieur ou échappé dans l'eau, retournez-le dans un centre de services.
- NE PAS tirer ou transporter par le cordon, utiliser le cordon comme une poignée, ou enrouler le cordon autour de bords ou coins coupants. Garder le cordon hors de portée des surfaces chauffées.
- NE PAS débrancher en tirant sur le cordon. Pour débrancher, saisissez la fiche, pas le cordon.

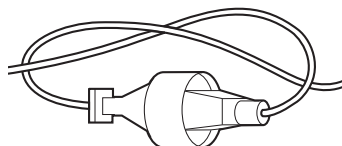
FRANÇAIS

- Ne pas manipuler la fiche ou l'appareil avec les mains mouillées.
- Éteignez toutes les commandes avant de débrancher.
- Cet appareil est muni d'une isolation double. Utilisez seulement des pièces de remplacement identiques. Consultez les instructions pour l'entretien des appareils à isolation double.
- Pour réduire le risque de choc électrique, utilisez seulement une rallonge conçue pour un usage extérieur, comme la SJW ou SJTW.
- Assurez-vous que la rallonge est en bon état et de la bonne taille pour votre appareil. Le calibre minimum du tableau des cordons amovibles affiche la bonne taille à utiliser selon longueur de cordon et l'intensité nominale de la plaque signalétique. En cas de doute, utilisez le calibre le plus lourd suivant. Plus le numéro de calibre est bas, plus le cordon est lourd. Une rallonge de taille inférieure entraînera une chute de tension de secteur ce qui causera une perte de puissance et une surchauffe.
- Entretenez l'appareil avec soins : inspectez régulièrement les rallonges et remplacez-les si elles sont endommagées.
- Afin de réduire le risque de débranchement du cordon de l'appareil de la rallonge durant le fonctionnement :
 - i) Faites un nœud comme illustré dans la figure B; ou
 - ii) Utilisez une des sangles de fixation du connecteur femelle de la fiche ou les connecteurs décrit dans ce manuel.

OU

- iii) Branchez bien la rallonge avec la fiche de l'appareil comme illustré ou décrit dans le mode d'emploi.

fig. B



AVERTISSEMENT : afin de réduire le risque de blessure corporelle due à un mauvais branchement électrique entre la fiche de l'appareil et la rallonge, fixez entièrement et fermement la fiche de l'appareil à la rallonge. Vérifiez régulièrement le branchement durant l'utilisation afin de vous assurer qu'il est entièrement fixé. Ne pas utiliser une rallonge qui est mal branchée. Un mauvais branchement peut entraîner une surchauffe, un incendie et augmente le risque de brûlure.

AVERTISSEMENT : portez toujours une protection auditive personnelle appropriée conforme à ANSI S12.6 (S3.19) durant l'utilisation. Dans certaines conditions et selon la durée d'utilisation, le bruit provenant de ce produit peut contribuer à la perte de l'audition.


AVERTISSEMENT : utilisez TOUJOURS des lunettes de sécurité. Les lunettes de tous les jours NE sont PAS des lunettes de sécurité. De plus, utilisez un masque facial ou antipoussières s'il y a de la poussière durant l'utilisation. PORTEZ TOUJOURS UN ÉQUIPEMENT DE SÉCURITÉ CERTIFIÉ :

- Protection des yeux ANSI Z87.1 (CAN/CSA Z94.3),
- protection auditive ANSI S12.6 (S3.19),
- protection respiratoire NIOSH/OSHA/MSHA.

AVERTISSEMENT : afin de ne réduire le risque de choc électrique, ne pas exposer à la pluie. Entrepousez à l'intérieur.

AVERTISSEMENT : réduisez les risques. Éteignez et rebranchez l'appareil, puis attendez jusqu'à ce que le ventilateur s'arrête ou au moins 10 secondes avant de retirer les assemblages du tube de soufflage ou d'aspiration..

Entretien des appareils à isolation double

Un appareil à isolation double est identifié par un des éléments suivants : Les mots « ISOLATION DOUBLE » ou « DOUBLEMENT ISOLÉ » ou le symbole d'isolation double .

Votre souffleur/aspirateur est doublement isolé pour vous offrir plus de sécurité. Dans un appareil doublement isolé, deux systèmes d'isolation sont fournis au lieu de mise à la terre. Aucun moyen de mise à la terre n'est fourni sur un appareil doublement isolé ni aucun moyen de mise à la terre ne doit être ajouté à l'appareil. L'entretien d'un appareil doublement isolé nécessite une grande prudence et une connaissance approfondie du système et doit être effectué seulement par le personnel d'entretien qualifié. Les pièces de remplacement d'un appareil doublement isolé doivent être identiques aux pièces qu'elles remplacent. Un appareil doublement isolé est identifié par les mots « Isolation double » ou « Doublement isolé ». Le symbole (carré dans un carré) peut aussi être indiqué sur l'appareil.

Mesures de sécurité : cordons de rallonge

Les outils à double isolation sont munis d'un cordon bifilaire et ils peuvent être utilisés avec un cordon de rallonge muni de 2 ou de 3 fils. Il faut seulement utiliser des cordons de rallonge à gaine ronde et ils devraient être homologués par l'organisme américain Underwriters Laboratories (U.L.) ou la CSA (au Canada). Lorsque le cordon de rallonge est utilisé à l'extérieur, il doit être prévu à cet effet. Tout cordon extérieur peut servir à l'intérieur.

Les cordons de rallonge doivent être faits de conducteurs de calibre approprié (AWG ou calibre moyen de fil) par mesure de sécurité et afin de prévenir les pertes de puissance et les surchauffes. Le numéro de calibre du fil est inversement proportionnel à la capacité du cordon. Ainsi, un cordon de calibre 16 a une capacité supérieure à un cordon de calibre 18. Lorsqu'il est nécessaire d'utiliser plus d'un cordon de rallonge, veiller à ce que chaque cordon ait au moins le calibre minimal. Avant d'utiliser un cordon de rallonge, s'assurer qu'il n'y a pas de fils dénudés ni détachés, et que l'isolant et les raccords ne sont pas défectueux. Effectuer les réparations nécessaires ou remplacer le cordon, le cas échéant.

Calibre minimum pour les cordons d'alimentation

Volts	Longueur totale du cordon d'alimentation en mètre (pieds)				
	120 V	7,6 (25)	15,2 (50)	30,5 (100)	45,7 (150)
240 V	15,2 (50)	30,5 (100)	61,0 (200)	91,4 (300)	
Ampères		AWG			
Plus que	Pas plus que				
0	6	18	16	16	14
6	10	18	16	14	12
10	12	16	16	14	12
12	16	14	12	Non recommandé	

Mesures de sécurité : fiche polarisée

Afin de minimiser les risques de secousses électriques, le produit comporte une fiche polarisée (une lame plus large que l'autre). Il faut utiliser une rallonge polarisée appropriée, bifilaire ou trifilaire, avec ce produit. Ce genre de fiche n'entre que d'une façon dans une prise polarisée. S'assurer que la prise de la rallonge comporte des fentes de dimensions appropriées. Lorsqu'on ne peut insérer la fiche à fond dans la prise de la rallonge, il faut tenter de le faire après avoir inversé les lames de côté. Si la fiche n'entre toujours pas dans la prise, il faut se procurer une rallonge appropriée. Lorsqu'on ne peut insérer la fiche de la rallonge à fond dans la prise, il faut communiquer avec un électricien certifié. Il ne faut pas neutraliser la fiche de l'outil ni celle de la rallonge.

L'étiquette apposée sur votre outil peut inclure les symboles suivants. Les symboles et leur définition sont indiqués ci-après :

V	volts	~ or AC.....	courant alternatif
Hz	hertz	⎓ or AC/DC....	courant alternatif
min.....	minutes		ou continu
— or DC.....	courant continu	□.....	fabrication classe I
Ⓜ.....	fabrication classe I		(double isolation)
	(mis à la terre)	no	vitesse à vide
.../min.....	par minute	n	vitesse nominale
BPM.....	battements par minute	⊕.....	borne de terre
IPM.....	impacts par minute	▲.....	symbole
RPM.....	revolutions per minute		d'avertissement
sfpm	pieds linéaires par minute (plpm)	⚠.....	radiation visible
SPM (FPM).....	fréquence par minute	Ⓜ.....	porter une protection des voies respiratoires
A	ampères	Ⓜ.....	porter une protection oculaire
W.....	watts	Ⓜ.....	porter une protection auditive

CONSERVEZ CES INSTRUCTIONS POUR UTILISATION ULTÉRIEURE

COMPOSANTS (FIG. A)

AVERTISSEMENT : ne jamais modifier l'outil électrique ou toute pièce de celui-ci. Cela pourrait entraîner des dommages matériels ou des blessures corporelles.

Consultez la figure A au début de ce guide pour une liste complète des composants.

UTILISATION PRÉVUE

Cet appareil est conçu pour des applications de soufflage domestiques à l'extérieur.

NE PAS utiliser en conditions mouillées ou en présence de liquides ou gaz inflammables.

NE PAS laisser les enfants entrer en contact avec l'outil. Une supervision est requise lorsque des utilisateurs non expérimentés utilisent cet outil.

ASSEMBLAGE ET AJUSTEMENTS

AVERTISSEMENT : afin de réduire le risque de blessure corporelle, éteignez débranchez avant d'effectuer tout ajustement ou de retirer/installer des pièces ou des accessoires. Un démarrage accidentel peut causer des blessures.

AVERTISSEMENT : avant de tenter l'une des étapes d'assemblage suivantes, assurez-vous que le produit est éteint et débranché de l'alimentation électrique.

ASSEMBLAGE POUR LE MODE SOUFLAGE

Assemblage des tubes de soufflage (Fig. C–E)

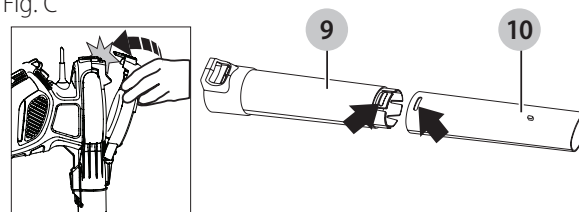
• Ajustez le capot du ventilateur **14** comme illustré dans la Fig. C jusqu'à ce que vous entendiez un clic.

ATTENTION : RÉDUISEZ LES RISQUES. Assurez-vous que le capot du ventilateur **14** est installé et verrouillé en place de façon sécuritaire.

REMARQUE : L'appareil ne fonctionnera pas mode Soufflage sans que le capot du ventilateur en place.

- Alignez les tubes supérieur **9** et inférieur **10** comme illustré dans la Fig. C.
- Poussez fermement le tube inférieur dans le tube supérieur jusqu'à ce que les tubes se placent dans la bonne position.

Fig. C

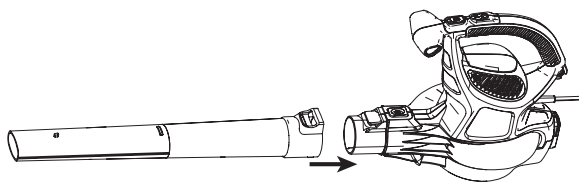


- Les tubes de soufflage doivent être assemblés la tête de pompe avant l'utilisation.
- Ne jamais utiliser sans les deux tubes inférieur et supérieur assemblés.
- Par mesure de sécurité, il n'est pas conçu pour séparer les tubes une fois assemblés.

FRANÇAIS

- Poussez l'assemblage des tubes dans la tête de pompe jusqu'à ce qu'il se verrouille complètement en place et que vous entendiez un clic. (Fig. D).

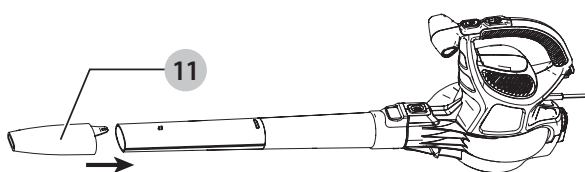
Fig. D



! ATTENTION : RÉDUISEZ LES RISQUES. Assurez-vous que l'assemblage des tubes est installé et verrouillé en place de façon sécuritaire.

- Utilisez l'accessoire de concentrateur d'air **11** pour diriger l'air vers une zone plus étroite. Ajoutez l'accessoire à l'assemblage comme illustré dans la Fig. E. Poussez jusqu'à ce que le trou dans la languette s'engage sur bouton élevé du tube.

Fig. E

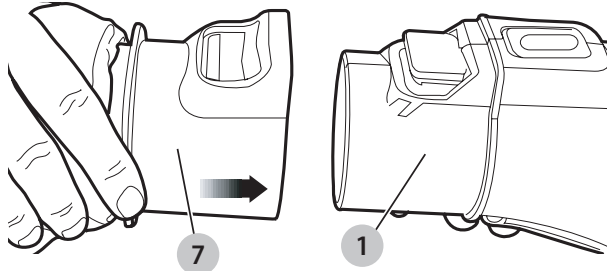


ASSEMBLAGE POUR LE MODE ASPIRATION

Fixer le tube flexible à la tête de pompe (Fig. F, Q)

1. Alignez la tête de pompe **1** et le tube de ramassage flexible **7** comme illustré dans la Fig. F.
2. Poussez l'assemblage du tube de ramassage flexible dans la tête de pompe jusqu'à ce qu'il se verrouille complètement en place et que vous entendiez un clic. (Fig. F).
3. Réfermez le sac de ramassage **8**, enrroulez l'extrémité ouverte du sac et verrouillez le clip de retenue **17** fermé comme illustré dans la Fig. Q.

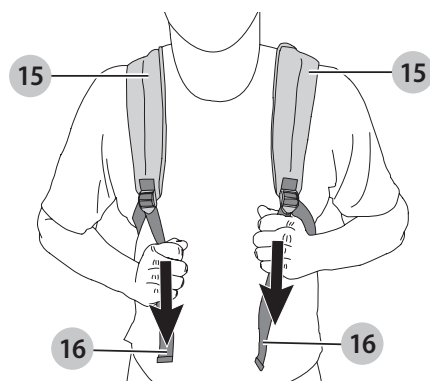
Fig. F



Ajustement du harnais (Fig. G)

1. Placez les courroies d'épaules **15** sur vos épaules.
2. Tirez les courroies d'ajustement **16** vers le bas jusqu'à ce que le support dorsal soit fermement opposé à votre dos comme illustré dans la Fig. G.

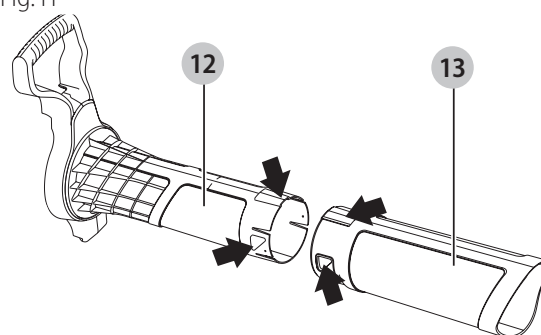
Fig. G



Assemblage des tubes d'aspiration (Fig. H-J)

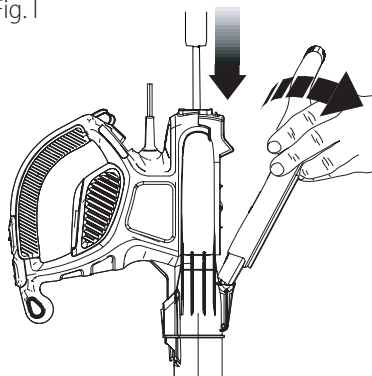
- Les tubes d'aspiration doivent être assemblés ensemble avant l'utilisation.
- Alignez les encoches et les triangles des tubes supérieur **12** et inférieur **13**. (Fig. H)

Fig. H



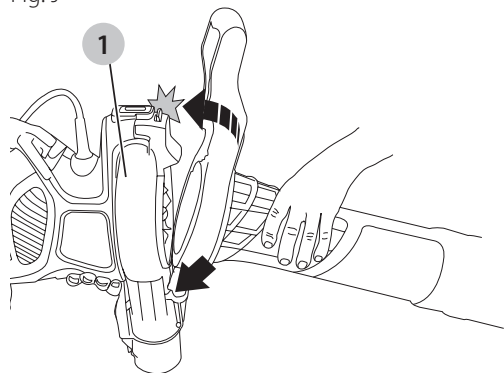
- Poussez fermement le tube inférieur dans le tube supérieur jusqu'à ce que les triangles se placent dans la bonne position. (Ne jamais utiliser séparément).
- Par mesure de sécurité, il n'est pas conçu pour séparer les tubes une fois assemblés.
- Retirez le capot du ventilateur **14** en bas de la tête de pompe en insérant un tournevis / une clé hex dans la fente à l'extrémité du capot du ventilateur (situé à l'arrière de la tête de pompe) pour actionner le déverrouillage interne et retirez le capot du ventilateur (Fig. I).

Fig. I



- Fixez l'assemblage des tubes d'aspiration à la tête de pompe (Fig. J) en le plaçant comme indiqué par la flèche, puis tournez environ à ce point jusqu'à ce que le cran de verrouillage/déverrouillage soit complètement inséré.

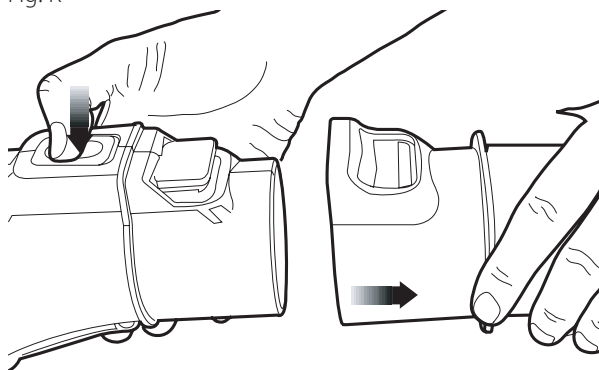
Fig. J



Retirer le tube de soufflage ou le tube de ramassage flexible (Fig. K)

1. Pour retirer le tube de soufflage ou le tube de ramassage flexible, appuyez sur le bouton déclencheur ⑥ sur la tête de pompe et retirez (Fig. K).

Fig. K



FONCTIONNEMENT

- ⚠ **AVERTISSEMENT** : ne pas utiliser le souffleur sans avoir mis en place le tube de soufflage ou le tube de ramassage flexible de façon sécuritaire. Ne jamais atteindre l'appareil par le trou du tube.

UTILISER COMME UN SOUFFLEUR :

- ⚠ **AVERTISSEMENT** : portez toujours des lunettes de sécurité. Portez un masque filtrant s'il y a de la poussière durant l'utilisation. L'utilisation de gants en caoutchouc et de très bonnes chaussures est recommandée lors du travail extérieur. Pour usage domestique seulement.

- ⚠ **AVERTISSEMENT** : réduisez les risques. Lorsque vous éteignez l'outil pour l'installation des tubes ou pour toute autre raison, attendez 10 secondes pour que le ventilateur cesse de tourner avant de désassembler.

- Ne pas utiliser en mode Aspiration sans que les tubes d'aspiration et les sacs de ramassage soient en place.
- Éteignez et retirez toujours la fiche de l'alimentation lorsque :
 - Vous passez du soufflage à l'aspiration ou l'inverse.
 - Le cordon d'alimentation est endommagé ou emmêlé.
 - Vous laissez le souffleur / l'aspirateur sans surveillance.
 - Vous retirez un blocage.

- Vous vérifiez, ajustez, nettoyez ou travaillez sur le souffleur / l'aspirateur.

- Utilisez le souffleur / l'aspirateur seulement en plein jour ou avec une bonne lumière artificielle.

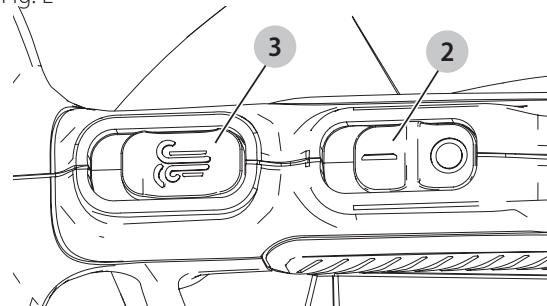
Mettre en marche/Éteindre (Fig. L)

- ⚠ **AVERTISSEMENT** : utilisez les deux mains pour saisir fermement le produit lorsqu'il est en marche.
- ⚠ **ATTENTION** : ne pas diriger le jet de l'appareil vers vous-même ou des passants.
- ⚠ **AVERTISSEMENT** : réduisez les risques. Lorsque vous éteignez l'outil pour l'installation des tubes ou pour toute autre raison, attendez 10 secondes pour que le ventilateur cesse de tourner avant de désassembler.

Votre souffleur est muni d'un bouton Marche/Arrêt situé sur le dessus de la poignée de la tête de pompe ④.

- Pour mettre le souffleur en marche, glissez le bouton Marche/Arrêt ② vers l'avant comme illustré dans la Fig. L.
- Pour éteindre le souffleur, glissez le bouton Marche/Arrêt ② vers l'arrière comme illustré dans la Fig. L.

Fig. L



FONCTION POWERBOOST

La fonction POWERBOOST est située sur la tête de pompe. Elle permet d'optimiser la performance de l'outil et d'augmenter la puissance au besoin.

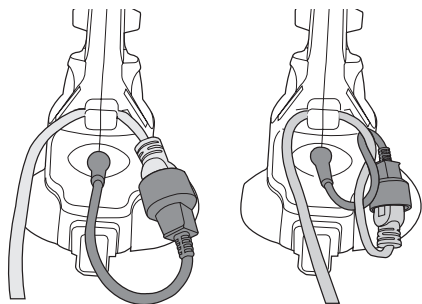
- Mettez le souffleur en marche.
- Pour activer le mode « Boost », glissez le bouton POWERBOOST ③ vers la poignée auxiliaire.
- Pour désactiver le mode « Boost », glissez le bouton POWERBOOST ③ loin de la poignée auxiliaire.

REMARQUE : Utilisez en mode « Normal » pour la plupart de vos besoins de soufflage. Activez le mode « Boost » au besoin pour évacuer ou aspirer les gros débris.

Enrouleur de cordon (Fig. M)

- Un enrouleur de cordon est intégré à l'arrière de la tête de pompe. On peut l'utiliser de deux façons différentes :
- Pour utiliser l'enrouleur de cordon comme illustré dans la Fig. M, accrochez la rallonge sous l'enrouleur. Puis branchez le cordon provenant de la tête de pompe dans la rallonge.
- Utilisez l'enrouleur de cordon comme illustré dans la Fig. M, faites une boucle dans l'extension au-dessus du cordon de la tête de pompe et branchez les deux extrémités l'une dans l'autre. Puis accrochez la rallonge sous l'enrouleur.

Fig. M



Utiliser comme un souffleur (Fig. D, M, N)

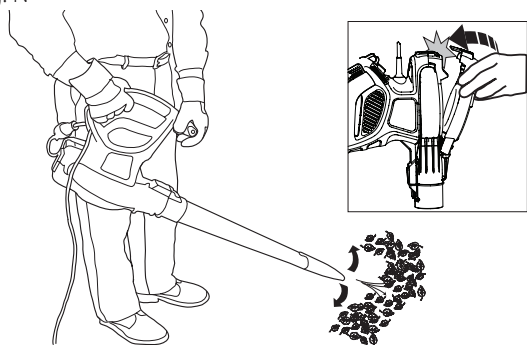
AVERTISSEMENT : assurez-vous que le produit est éteint et débranchez de l'alimentation.

- Ajustez le capot du ventilateur **14** comme illustré dans la Fig. N jusqu'à ce que vous entendiez un clic.

AVERTISSEMENT : RÉDUISEZ LES RISQUES. Assurez-vous que le capot du ventilateur **14** est installé et verrouillé en place de façon sécuritaire.

- Fixez le tube de soufflage à la tête de pompe comme illustré dans la Fig. D.
- Branchez le cordon sur la tête de pompe à l'alimentation (Fig. M).
- Maintenez le tube de soufflage à environ 7 pouces (180 mm) au-dessus du sol, mettez le souffleur / l'aspirateur en marche et en effectuant un mouvement de balayage d'un côté à l'autre, avancez lentement en gardant les débris/feuilles accumulés devant vous comme illustré dans la Fig. N.

Fig. N



- Une fois que vous avez soufflé les débris/feuilles dans un tas, vous pouvez convertir en mode Aspiration pour ramasser les débris.
- Utiliser le concentrateur d'air vous aidera à retirer les débris et les feuilles emmêlés.

UTILISER COMME UN ASPIRATEUR

Mode Aspiration (Fig. F, I, J, Q, M, O)

AVERTISSEMENT : assurez-vous que le produit est éteint et débranchez de l'alimentation.

Pour ajuster l'assemblage du sac de ramassage de feuilles au produit :

- Retirez le tube de soufflage.
- Poussez l'assemblage du tube de ramassage flexible dans la tête de pompe jusqu'à ce qu'il se verrouille

complètement en place et que vous entendiez un clic. (Fig. F).

AVERTISSEMENT : ne pas utiliser le souffleur sans avoir mis en place le tube de soufflage ou le tube de ramassage flexible de façon sécuritaire. Ne jamais atteindre l'appareil par le trou du tube.

- Retirez le capot du ventilateur **14** en bas de la tête de pompe en insérant un tournevis / une clé hex dans la fente à l'extrémité du capot du ventilateur (situé à l'arrière de la tête de pompe) retirez le capot du ventilateur. (Fig. I)
- Fixez l'assemblage des tubes d'aspiration à la tête de pompe (Fig. J) en le plaçant comme indiqué par la flèche, puis tournez environ à ce point jusqu'à ce que le cran de verrouillage/déverrouillage soit complètement inséré et que vous entendiez un clic.

ATTENTION : RÉDUISEZ LES RISQUES. Assurez-vous que l'assemblage des tubes d'aspiration est installé et verrouillé en place de façon sécuritaire.

- Enroulez l'extrémité ouverte du sac et verrouillez le clip de retenue **17** fermé. (Fig. Q)
- Branchez le cordon sur la tête de pompe à l'alimentation (Fig. M).
- Placez le tube légèrement au-dessus des débris/feuilles. Mettez le souffleur/ l'aspirateur en marche, puis à l'aide d'un mouvement de balayage, les débris/feuilles seront aspirés par le tube, broyés et déposés dans le sac de ramassage (Fig. O).

Au fur et à mesure que le sac se remplit, la puissance de succion diminue. Éteignez le souffleur / l'aspirateur et débranchez l'alimentation avant de vider le sac de ramassage.

Fig. O

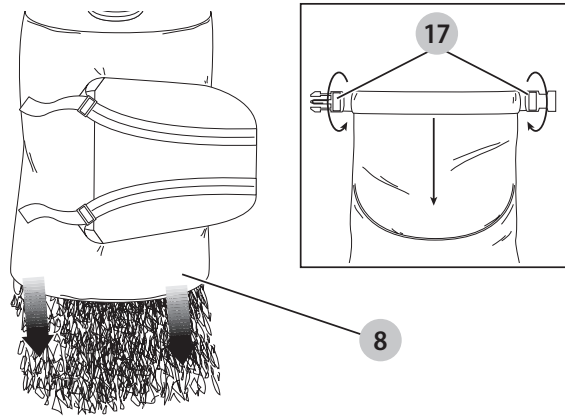


Vider le sac de ramassage à dos (Fig. P, Q)

ATTENTION : NE JAMAIS RETIRER LE SAC DE RAMASSAGE SANS D'ABORD ÉTEINDRE ET DÉBRANCHER L'ASPIRATEUR.

- Videz le sac de ramassage à dos **8** en déverrouillant le clip de retenue **17** et en enroulant le sac comme illustré dans la Fig. P.

Fig. P

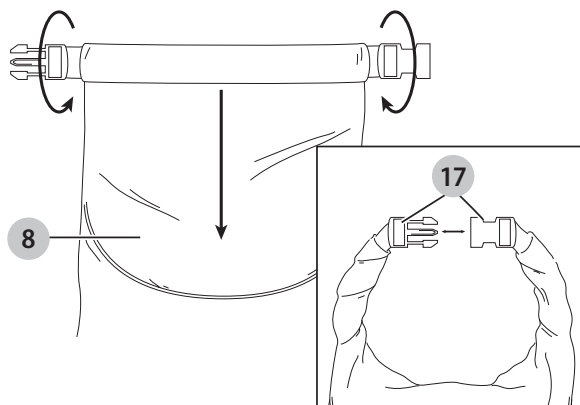


REMARQUE : Si la succion diminue et le sac n'est pas plein, le tube d'aspiration est probablement obstrué par des débris. Éteignez et débranchez le souffleur / l'aspirateur et débloquez le tube de continuer.

- Pour refermer le sac de ramassage **8**, enroulez l'extrémité ouverte du sac et verrouillez le clip de retenue **17** fermé comme illustré dans la Fig. Q.

AVERTISSEMENT : ne pas utiliser le souffleur sans avoir mis en place le tube de soufflage ou le tube de ramassage flexible de façon sécuritaire. Ne jamais atteindre l'appareil par le trou du tube.

Fig. Q



MAINTENANCE

AVERTISSEMENT : pour réduire le risque de blessures graves, éteindre l'outil et retirer avant d'effectuer tout réglage et d'enlever ou d'installer tout accessoire. Un démarrage accidentel peut provoquer des blessures.

Nettoyage

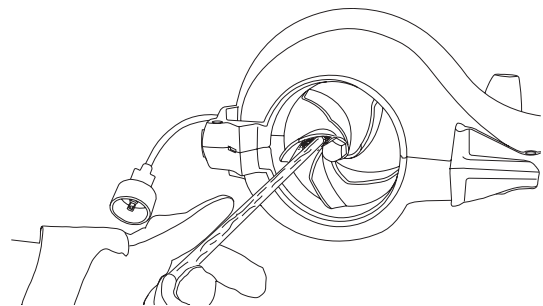
AVERTISSEMENT : enlever les saletés et la poussière hors des événements au moyen d'air comprimé propre et sec, au moins une fois par semaine. Pour minimiser le risque de blessure aux yeux, toujours porter une protection oculaire conforme à la norme ANSI Z87.1 lors du nettoyage.

AVERTISSEMENT : ne jamais utiliser de solvants ni d'autres produits chimiques puissants pour nettoyer les pièces non métalliques de l'outil. Ces produits

chimiques peuvent affaiblir les matériaux de plastique utilisés dans ces pièces. Utiliser un chiffon humecté uniquement d'eau et de savon doux. Ne jamais laisser de liquide pénétrer dans l'outil et n'immerger aucune partie de l'outil dans un liquide.

AVERTISSEMENT : METTRE L'OUTIL HORS TENSION ET LE DÉBRANCHER. (Débrancher le cordon de rallonge de la source d'alimentation.)

Utiliser seulement du savon doux et un chiffon humide pour nettoyer l'outil. Enlever tout brin accumulé dans l'outil. Lorsqu'on s'en sert dans des conditions normales avec des feuilles sèches, la chambre du ventilateur de l'outil devrait rester propre. Lorsqu'on aspire de la terre ou des débris humides, la chambre du ventilateur peut se salir. Le cas échéant, le rendement de l'outil diminue. Une fois l'appareil débranché de la prise électrique, il est possible de nettoyer cette zone au moyen d'un bâton de bois comme cela est montré à la Fig. R. Il faut ranger l'outil dans un endroit sec. Fig. R



AVERTISSEMENT : RISQUE DE CHOC ÉLECTRIQUE. NE PAS VERSER DE L'EAU SUR L'OUTIL NI LE VAPORISER POUR LE NETTOYER. Ne pas ranger l'outil sur des produits chimiques ni sur des engrais, ou près de ceux-ci, au risque de provoquer la corrosion rapide des pièces métalliques de l'outil.

IMPORTANT : Pour assurer la SÉCURITÉ D'EMPLOI et la FIABILITÉ de l'outil, n'en confier la réparation, l'entretien et les rajustements (autres que ceux spécifiés dans le présent guide) qu'à un centre de service ou à un atelier d'entretien autorisé n'utilisant que des pièces de rechange identiques.

Accessoires

AVERTISSEMENT : puisque les accessoires autres que ceux offerts par BLACK+DECKER n'ont pas été testés avec ce produit, leur utilisation pourrait s'avérer dangereuse. Pour réduire le risque de blessures, utiliser exclusivement les accessoires BLACK+DECKER recommandés avec le présent produit.

Les accessoires recommandés pour cet outil sont vendus séparément au centre de service de votre région. Pour obtenir de l'aide concernant l'achat d'un accessoire, communiquer avec composer le 1-800-544-6986 ou visiter notre site Web : www.blackanddecker.com.

Réparations

AVERTISSEMENT : pour assurer la SÉCURITÉ et la FIABILITÉ du produit, les réparations, l'entretien et les réglages doivent être réalisés (cela comprend l'inspection et le remplacement du balai) par un centre de réparation en usine BLACK+DECKER ou un

FRANÇAIS

centre de réparation agréé BLACK+DECKER. Toujours utiliser des pièces de rechange identiques.

Registre en ligne

Merci pour votre achat. Enregistrez dès maintenant votre produit:

- **RÉPARATIONS SOUS GARANTIE:** cette carte remplie vous permettra de vous prévaloir du service de réparations sous garantie de façon plus efficace dans le cas d'un problème avec le produit.
- **CONFIRMATION DE PROPRIÉTÉ:** en cas de perte provoquée par un incendie, une inondation ou un vol, cette preuve de propriété vous servira de preuve auprès de votre compagnie d'assurances.
- **SÉCURITÉ:** l'enregistrement de votre produit nous permettra de communiquer avec vous dans l'éventualité peu probable de l'envoi d'un avis de sécurité régi par la loi fédérale américaine de la protection des consommateurs.

Registre en ligne à www.blackanddecker.com/register.

GARANTIE LIMITÉE DE DEUX ANS

Black & Decker (É.-U.) Inc. garantit que le produit est exempt de défauts de matériau et de fabrication pendant deux(2) ans à partir de la date d'achat, à condition que le produit soit utilisé en milieu domestique. La présente garantie limitée ne couvre pas les défaillances provoquées par un abus, un dommage accidentel ou des réparations ou tentatives de réparations effectuées par toute autre personne que le personnel de BLACK+DECKER et de ses centres de réparation agréés. Un produit défectueux qui remplit les conditions stipulées par la présente garantie sera remplacé ou réparé sans frais d'une des deux façons suivantes :

La première façon consiste en un échange chez le détaillant où le produit a été acheté (à la condition que le magasin soit un détaillant participant). Tout retour doit se faire durant la période correspondant à la politique d'échange du détaillant. Une preuve d'achat peut être requise. Prière de vérifier la politique de retour du détaillant au sujet des délais impartis pour les retours ou les échanges.

La deuxième option est d'apporter ou d'envoyer le produit (en port payé) à un centre de réparation agréé ou à un centre de réparation BLACK+DECKER pour faire réparer ou échanger le produit, à la discrétion de BLACK+DECKER. Une preuve d'achat peut être requise. Les centres de réparation de BLACK+DECKER et les centres de réparation ou en ligne sur www.blackanddecker.com.

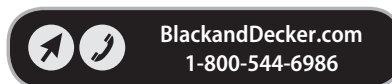
Cette garantie ne s'applique pas aux accessoires. Cette garantie accorde des droits légaux propres au propriétaire de l'outil. Ce dernier pourrait avoir d'autres droits selon l'État ou la province qu'il habite. Pour toute question, communiquer avec le directeur du centre de réparation BLACK+DECKER le plus près. Ce produit n'est pas destiné à un usage commercial. L'usage commercial de ce produit annule par conséquent cette garantie. Toutes autres garanties, expresses ou implicites, sont déclinées par la présente.

AMÉRIQUE LATINE : cette garantie ne s'applique aux produits vendus en Amérique latine. Pour ceux-ci, veuillez consulter les informations relatives à la garantie spécifique présente dans l'emballage, appeler l'entreprise locale ou consulter le site Web pour les informations relatives à cette garantie.

REPLACEMENT GRATUIT DES ÉTIQUETTES

D'AVERTISSEMENT : si les étiquettes d'avertissement deviennent illisibles ou sont manquantes, composer le 1-800-544-6986 pour en obtenir le remplacement gratuit.

Importé par Black & Decker (U.S.) Inc.,
701 E. Joppa Rd.
Towson, MD 21286



DÉPANNAGE

our obtenir de l'aide avec l'outil, consulter notre site Web www.blackanddecker.com pour l'emplacement du centre de réparation le plus près ou communiquer avec l'assistance BLACK+DECKER au **1-800-544-6986**.

Problème	Cause possible	Solution possible
L'appareil refuse de démarrer.	<p>Le couvercle de la soufflerie ou le tube d'aspiration n'est pas installé.</p> <p>Cordon d'alimentation non branché.</p> <p>Le fusible du circuit est grillé.</p> <p>Le cordon d'alimentation ou la prise de courant est endommagé(e).</p> <p>Le disjoncteur est déclenché.</p>	<p>Mettre le couvercle de la soufflerie en position ou le tube d'aspiration</p> <p>Brancher l'outil dans une prise qui fonctionne.</p> <p>Remplacer le fusible du circuit. (Si le produit fait le fusible du circuit, arrêter immédiatement d'utiliser le produit et le faire réparer dans un centre de réparation BLACK+DECKER ou un centre de réparation autorisé.)</p> <p>Remettre le disjoncteur à zéro. (Si le produit fait déclencher de façon répétée le disjoncteur, arrêter immédiatement d'utiliser le produit et le faire réparer dans un centre de réparation BLACK+DECKER ou un centre de réparation autorisé.)</p>
L'appareil est coincé ou bourré.	Des débris bouchent l'entrée, la sortie ou le ventilateur.	Débrancher le cordon d'alimentation. Retirer le tube de l'aspirateur. Se reporter à la rubrique Nettoyage - Entretien .

Definiciones: Símbolos y palabras de alerta de seguridad

Este manual de instrucciones utiliza los siguientes símbolos y palabras de alerta de seguridad para alertarle de situaciones peligrosas y del riesgo de lesiones corporales o daños materiales.



PELIGRO: Indica una situación de peligro inminente que, si no se evita, provocará **la muerte o lesiones graves**.



ADVERTENCIA: Indica una situación de peligro potencial que, si no se evita, **podría** provocar **la muerte o lesiones graves**.



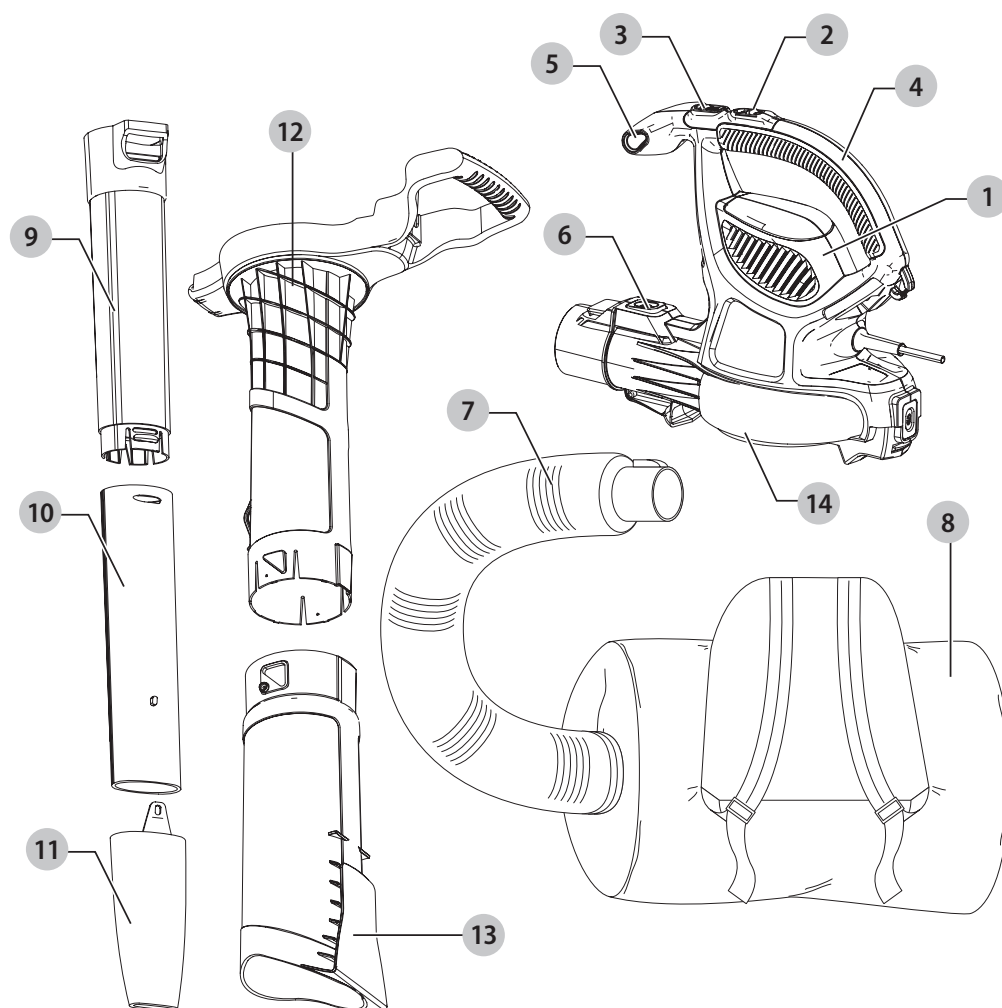
ATENCIÓN: Indica una situación de peligro potencial que, si no se evita, **posiblemente** provocaría **lesiones leves o moderadas**.



(Utilizado sin palabras) indica un mensaje de seguridad relacionado.

AVISO: Se refiere a una práctica **no relacionada a lesiones corporales** que de no evitarse **puede** resultar en **daños a la propiedad**.

Fig. A



- | | |
|--|------------------------------|
| 1 Cabeza de potencia | 9 Tubo de soplado superior |
| 2 Interruptor On/Off (Encendido/Apagado) | 10 Tubo de soplado inferior |
| 3 Botón POWERBOOST | 11 Concentrador |
| 4 Manija principal | 12 Tubo de aspirado superior |
| 5 Manija auxiliar | 13 Tubo de aspirado inferior |
| 6 Botón de liberación | 14 Cubierta de ventilador |
| 7 Tubo de recolección flexible | |
| 8 Bolsa de recolección de mochila | |



¡ADVERTENCIA! Lea todas las advertencias de seguridad e instrucciones. El incumplimiento de las advertencias e instrucciones puede provocar descargas eléctricas, incendios o lesiones graves.



ADVERTENCIA: Para reducir el riesgo de lesiones, lea el manual de instrucciones.

Si tiene alguna duda o algún comentario sobre ésta u otra herramienta BLACK+DECKER, llámenos al número gratuito: 1-800-544-6986.

ADVERTENCIAS

IMPORTANTES DE

SEGURIDAD



ADVERTENCIA: Siempre que utilice herramientas eléctricas debe seguir ciertas precauciones básicas de seguridad, a fin de reducir los riesgos de incendio, choque eléctrico y lesiones personales, entre las que se encuentran las siguientes.



ADVERTENCIA: para reducir los riesgos de incendio, choque eléctrico o lesiones:

- Antes de todo uso, asegúrese de que todos los que utilicen esta unidad lean y comprendan todas las instrucciones de seguridad y demás información contenida en este manual.
- Conserve estas instrucciones y revíselas con frecuencia antes del uso y al instruir a otras personas.
- No apunte la descarga de la unidad hacia usted mismo o hacia personas a su alrededor.
- Mantenga el cabello largo y la ropa holgada lejos de las aberturas y las piezas en movimiento.
- Este aparato está destinado para uso comercial.



ADVERTENCIA: Parte del polvo creado por este producto contiene sustancias químicas reconocidas por el Estado de California como causantes de cáncer, defectos de nacimiento u otros problemas reproductivos. Algunos ejemplos de estas sustancias químicas son:

- compuestos en los fertilizantes
- compuestos en los insecticidas, herbicidas y pesticidas
- arsénico y cromo de la madera con tratamiento químico

Para reducir su exposición a estas sustancias químicas, use equipos de seguridad aprobados, como máscaras contra el polvo que estén diseñadas especialmente para filtrar partículas microscópicas.

LEA Y ENTIENDA TODAS LAS INSTRUCCIONES ANTES DE USAR ESTE APARATO

- NO coloque la salida del soplador cerca de los ojos u oídos cuando lo opere.
- ALMACENAMIENTO DE UNIDADES SIN USAR. Cuando no esté en uso, la unidad se debe almacenar en un lugar seco, en alto y asegurado - fuera del alcance de los niños.
- NO SE EXTRALIMITE. Mantenga una base de apoyo y equilibrio adecuados en todo momento.
- MANTENGA LA UNIDAD CON CUIDADO. Mantenga la unidad limpia para su mejor desempeño y seguridad. Siga las instrucciones para mantenimiento adecuado.
- NO intente reparar el soplador. Para garantizar la seguridad y confiabilidad del producto, las reparaciones, mantenimiento y ajustes deben ser realizados por centros de servicio BLACK+DECKER o centros de servicio

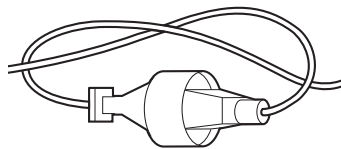
autorizados, siempre utilizando partes de reemplazo BLACK+DECKER.

- NO opere el soplador en una atmósfera gaseosa o explosiva. Los motores de estas unidades pueden producir chispas, y éstas pueden encender los vapores.
- EVITE CONDICIONES AMBIENTALES PELIGROSAS – No use unidades eléctricas en ubicaciones mojadas o húmedas. No use la unidad en la lluvia.
- PERMANEZCA ALERTA - Observe lo que está haciendo. Utilice el sentido común. No opere la unidad cuando esté cansado.
- USE LA UNIDAD CORRECTA – No use esta unidad para ningún trabajo excepto para el que está diseñado.
- TENGA CUIDADO ADICIONAL cuando limpie en escaleras.
- NO permita que se use como un juguete. Se necesita poner atención cuando sea usado por o cerca de niños. No se recomienda para uso por niños.
- NO intente retirar trapos de la unidad sin primero desconectarla.
- NO la use para recoger líquidos inflamables o combustibles, tales como gasolina, o no la use en áreas donde puedan estar presentes.
- NO recoja nada que esté encendido o humeando, tal como cigarrillos, cerillos, o cenizas calientes.
- Cuando esté en modo de aspiradora, NO use sin la bolsa para polvo y/o filtros en su lugar.
- SÓLO USE como se describe en este manual. Sólo use conexiones recomendadas por el fabricante.
- NO coloque ningún objeto en las aberturas. No lo use con ninguna abertura bloqueada; manténgalo libre de polvo, pelusa, cabello y cualquier cosa que pueda reducir el flujo de aire.
- MANTENGA alejados el cabello, ropa suelta, dedos, todas las partes del cuerpo de las aberturas y partes móviles.
- NO sumerja ninguna parte de la unidad en líquido.
- MANTENGA A LOS NIÑOS, TRANSEÚNTES Y ANIMALES ALEJADOS del área de trabajo un mínimo de 30 pies (10 metros) cuando arranque u opere la unidad.
- REVISE EL ÁREA antes de usar la unidad. Retire todos los desechos y objetos duros tales como piedras, vidrio, cable, etc. que puedan ser expulsados, arrojados, o de otra manera causar lesiones serias o daño durante la operación.
- NO deje el aparato cuando esté conectado. Desconecte del tomacorriente cuando no esté en uso y antes de dar servicio.
- NO use con el cable o enchufe dañado. Si el aparato no funciona como debería, se ha dejado caer, se dañó, se dejó en exteriores, o se dejó caer en agua, regréselo a un centro de servicio.
- NO jale o transporte por el cable, no use el cable como manija, o jale el cable alrededor de bordes o esquinas filosas. Mantenga el cable lejos de superficies calientes.
- NO desconecte jalando del cable. Para desconectar, sujete el enchufe, no el cable.
- No maneje el enchufe o aparato con las manos húmedas.

ESPAÑOL

- Apague todos los controles antes de desconectar.
- Este aparato está equipado con aislamiento doble. Sólo use partes de reemplazo idénticas. Vea las instrucciones para Dar servicio a aparatos con doble aislamiento.
- Para reducir el riesgo de descarga eléctrica, sólo use con un cable de extensión diseñado para uso en exteriores, tal como SJW o SJTW.
- Asegúrese que su cable de extensión esté en buenas condiciones y sea del tamaño correcto para su aparato. La gráfica Calibre Mínimo para Juegos de Cable a continuación muestra el tamaño correcto a usar dependiendo de la longitud del cable y la clasificación de amperes de la placa de identificación. Si tiene duda, use el calibre más pesado siguiente. Mientras menor sea el número de calibre, más pesado será el cable. Un cable de extensión de tamaño inferior causará una caída en el voltaje en línea que resulta en una pérdida de energía y sobrecalentamiento
- Mantenga el Aparato con Cuidado – Revise los cables de extensión periódicamente y reemplace si están dañados.
- Para reducir el riesgo de desconexión del cable del aparato del cable de extensión durante la operación:
 - i) Realice un nudo como se muestra en la figura B; o
 - ii) Use una de las correas o conectores de retención de enchufe-receptáculo descritos en este manual.O
 - iii) Asegure el cable de extensión al enchufe del aparato como se muestra o describe en las Instrucciones de Operación.

Fig. B



ADVERTENCIA: Para reducir el riesgo de lesiones personales debidas a una conexión eléctrica suelta entre el enchufe y el cable de extensión del aparato, conecte firme y completamente el enchufe del aparato al cable de extensión. Revise periódicamente la conexión mientras opera para asegurar que esté conectada completamente. No use un cable de extensión que proporcione una conexión holgada. Una conexión holgada puede resultar en sobrecalentamiento, incendio, e incrementa el riesgo de quemaduras.

ADVERTENCIA: Siempre use protección auditiva personal adecuada que cumpla con ANSI S12.6 (S3.19) durante el uso. Bajo algunas condiciones y duración de uso, el ruido de este producto puede contribuir con la pérdida auditiva.

ADVERTENCIA: SIEMPRE use gafas de seguridad. Las gafas de uso diario NO son gafas de seguridad. También use una careta o máscara de polvo si la


operación produce polvo. SIEMPRE USE EQUIPO DE SEGURIDAD CERTIFICADO:

- Protección para los ojos ANSI Z87.1 (CAN/CSA Z94.3),
- Protección auditiva ANSI S12.6 (S3.19),
- Protección respiratoria NIOSH/OSHA/MSHA.

ADVERTENCIA: Para reducir el riesgo de descarga eléctrica, no lo exponga a la lluvia. Almacene en interiores.

ADVERTENCIA: Riesgo de corte. Apague y desconecte la unidad, después espere hasta que el ventilador se detenga o por lo menos 10 segundos antes de retirar los ensamblajes del tubo de soplador o aspiradora.

Servicio de Aparatos de Aislamiento Doble

Un aparato con aislamiento doble está marcado con uno o más de los siguientes: Las palabras «DOUBLE INSULATION» o «DOUBLE INSULATED» (Aislamiento doble) o el símbolo de aislamiento doble .

Su Soplador/Aspiradora tiene aislamiento doble para proporcionar seguridad adicional. En un aparato con aislamiento doble, se proporcionan dos sistemas de aislamiento en lugar de conexión a tierra. Si no se proporcionan medios de conexión a tierra en un aparato con aislamiento doble, no se deben agregar medios de conexión a tierra al aparato. Dar servicio a un aparato con aislamiento doble requiere cuidado extremo y conocimiento del sistema y sólo debe ser realizado por personal de servicio calificado. Las partes de reemplazo para un aparato con aislamiento doble deben ser idénticas a las partes que reemplacen. Un aparato con aislamiento doble está marcado con las palabras double insulated o "double insulation" (aislamiento doble). El símbolo (cuadrado dentro de un cuadrado) también puede estar marcado en el aparato.

Reglas e instrucciones de seguridad: Cables de extensión

Las herramientas con doble aislamiento tienen cables con dos líneas y pueden utilizarse con extensiones de 2 o de 3 líneas. Solamente deben usarse extensiones con cubierta cilíndrica, y le recomendamos que estén aprobadas por Underwriters Laboratories (U.L.) (NOM en México). Si la extensión se empleará a la intemperie, deberá ser adecuada para ello. Cualquier extensión destinada para uso a la intemperie se puede utilizar para trabajar bajo techo.

Una extensión debe contar con el calibre adecuado (AWG o American Wire Gauge) por seguridad, y para evitar pérdida de potencia y sobrecalentamiento. Mientras menor sea el número, mayor será la capacidad del cable, por ejemplo, un cable de calibre 16 tiene mayor capacidad que uno de calibre 18. Cuando emplee más de una extensión para alcanzar la longitud total, asegúrese que cada extensión contenga por lo menos el calibre mínimo requerido. Antes de utilizar un cable de extensión, revíselo en busca de alambres flojos o expuestos, aislamiento dañado y uniones defectuosas. Haga las reparaciones necesarias o reemplace el cable en caso necesario.

Calibre mínimo de conjuntos de cables

Voltios	Longitud total del cable en pies (metros)					
	120 V	25 (7,6)	50 (15,2)	100 (30,5)	150 (45,7)	
240 V	50 (15,2)	100 (30,5)	200 (61,0)	300 (91,4)		
Amperaje nominal		AWG				
Más de	Más de					
0	6	18	16	16	14	
6	10	18	16	14	12	
10	12	16	16	14	12	
12	16	14	12	Not Recommended		

Advertencias e instrucciones de seguridad: Clavija polarizada

Este equipo cuenta con una clavija polarizada (con una pata más ancha que la otra) para reducir el riesgo de choque eléctrico. El equipo debe utilizarse con una extensión adecuada de 2 o 3 cables. Las conexiones polarizadas solamente ajustan de una manera. Asegúrese que la conexión hembra de la extensión tenga una ranura grande y una más pequeña. Si la clavija no se ajusta completamente a la extensión, invírtala. Si aún así no ajusta, consiga una extensión adecuada. Si la extensión no se ajusta por completo a la toma de corriente comuníquese con un electricista calificado para que le instale la toma de corriente adecuada. Por ningún motivo cambie la clavija en la herramienta o en la extensión de ninguna manera. La etiqueta de su herramienta puede incluir los siguientes símbolos. A continuación se indican los símbolos y sus definiciones:

- | | | | |
|---------------|----------------------------------|------------------|--|
| V | voltios | ⚡ or AC/DC | corriente alterna o directa |
| Hz | hertz | ⏏ | Construcción de Clase II (doble aislamiento) |
| min | minutos | no | velocidad sin carga |
| ⎓ or DC | direct current | n | velocidad nominal |
| ⚡ | Construcción de Clase I (tierra) | ⊕ | terminal de conexión a tierra |
| .../min | por minuto | ⚠ | símbolo de advertencia de seguridad |
| BPM | golpes por minuto | ☀ | radiación visible |
| IPM | impactos por minuto | 🧤 | use protección respiratoria |
| RPM | revoluciones por minuto | 👁 | use protección para los ojos |
| sfpn | pies de superficie por minuto | 👂 | use protección para los oídos |
| SPM | pasadas por minuto | | |
| A | amperios | | |
| W | vatios | | |
| ~ or AC | corriente alterna | | |

CONSERVE ESTAS INSTRUCCIONES PARA USO FUTURO

COMPONENTES (FIG. A)

⚠ ADVERTENCIA: Nunca modifique la herramienta eléctrica o ninguna parte de ella. Podría resultar en daño o lesiones personales.

Consulte la Figura A al inicio de este manual respecto a una lista completa de componentes.

USO PRETENDIDO

Este aparato está diseñado para aplicaciones de soplador domésticas en exteriores.

NO use bajo condiciones húmedas o en presencia de líquidos o gases inflamables.

NO permita que niños estén en contacto con la herramienta. Se requiere supervisión cuando operadores sin experiencia operen esta herramienta.

ENSAMBLE Y AJUSTES

⚠ ADVERTENCIA: Para reducir el riesgo de lesiones personales, apague la unidad y desconecte antes de realizar cualquier ajuste o retirar/instalar conexiones o accesorios. Un arranque accidental puede causar lesiones.

⚠ ADVERTENCIA: Antes de intentar cualquiera de los pasos de ensamble a continuación, asegúrese que el producto esté apagado y desconectado del suministro de energía.

ENSAMBLE PARA MODO DE SOPLADO

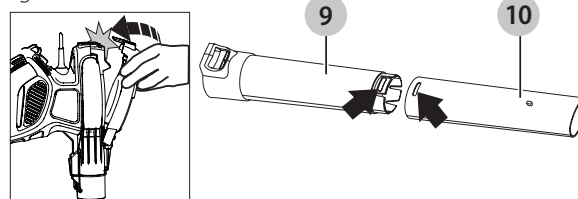
Ensamble de Tubo de Soplado (Fig. C–E)

- Instale la cubierta del ventilador **14** como se muestra en la Fig. C hasta que se escuche un clic audible.
- ⚠ ATENCIÓN: RIESGO DE CORTE.** Asegure que la cubierta del ventilador **14** esté asentada y asegurada firmemente en posición.

NOTA: La unidad no operará en modo de soplado sin la cubierta de ventilador en su lugar.

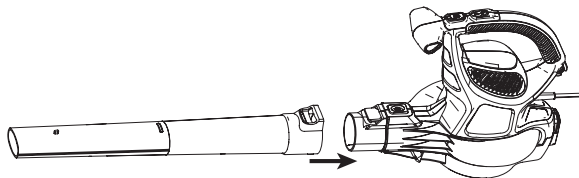
- Alinee los tubos superior **9** e inferior **10** como se muestra en la Fig. C.
- Empuje el tubo inferior firmemente en el tubo superior, hasta que los tubos hagan clic en su lugar.

Fig. C



- Los tubos de soplador se deben ensamblar a la cabeza de potencia antes del uso.
- Nunca opere sin los tubos inferior y superior ensamblados.
- Por razones de seguridad, no se pretende que los tubos se separen una vez que estén ensamblados.
- Empuje el ensamble de tubo sobre la cubierta de potencia hasta que esté completamente asegurado en posición y se escuche un clic audible. (Fig. D).

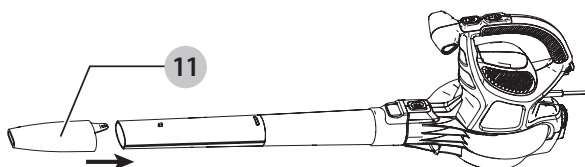
Fig. D



⚠ ATENCIÓN: RIESGO DE CORTE. Asegure que el ensamble de tubo esté asentado y asegurado firmemente en posición.

- Use la conexión del concentrador de aire **11** para enfocar el flujo de aire en un área más estrecha. Agregue la conexión al ensamble como se muestra en la Fig. E. Empuje hasta que el orificio en la lengüeta se conecte con el poste levantado en el tubo.

Fig. E

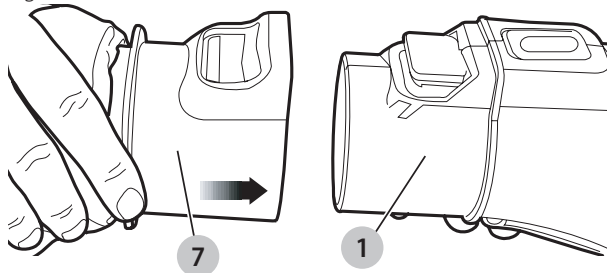


ENSAMBLE PARA MODO DE ASPIRADORA

Conexión de tubo Flexible a Cabeza de Potencia (Fig. F, Q)

1. Alinee la cabeza de potencia **1** y el tubo de recolección flexible **7** como se muestra en la Fig. F.
2. Empuje el ensamble de tubo de recolección flexible sobre la cubierta de potencia hasta que esté completamente asegurado en posición y se escuche un clic audible. (Fig. F).
3. Selle la bolsa de recolección **8**, enrolle el extremo abierto de la bolsa y asegure el sujetador de retención **17** cerrado como se muestra en la Fig. Q.

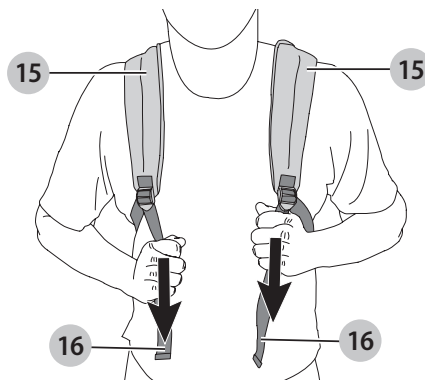
Fig. F



Ajuste de arnés

1. Coloque las correas de hombro **15** sobre sus hombros.
2. Jale las correas de ajuste **16** hacia abajo hasta que la placa de espalda esté firme contra su espalda como se muestra en la Fig. G.

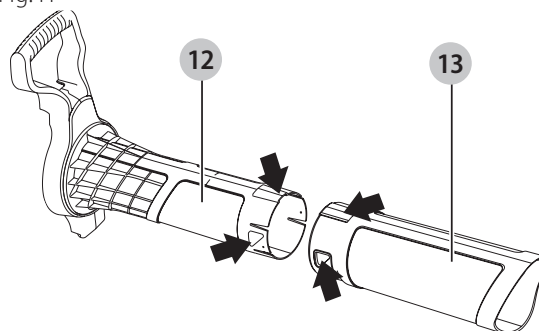
Fig. G



Ensamble de Tubo de Aspiradora (Fig. H–J)

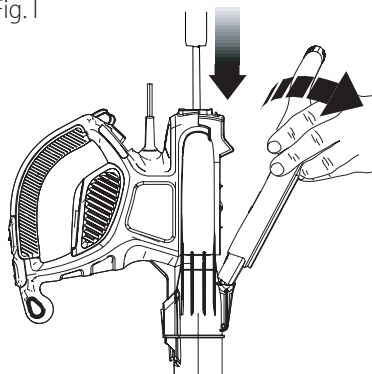
- Los tubos de aspiradora se deben ensamblar antes del uso.
- Alinee las muescas y los triángulos en los tubos superior **12** e inferior **13**. (Fig. H)

Fig. H



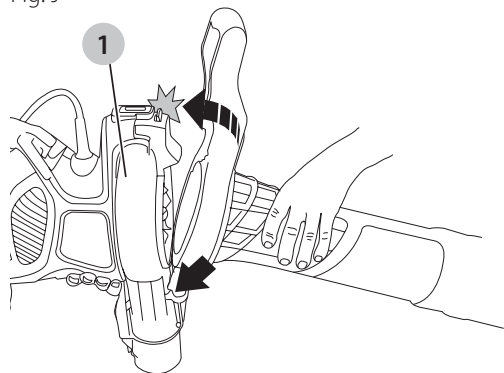
- Empuje el tubo inferior firmemente en el tubo superior, hasta que los triángulos hagan clic en su lugar. (Nunca los opere por separado).
- Por razones de seguridad, no se pretende que los tubos se separen una vez que estén ensamblados.
- Retire la cubierta del ventilador **14** de la parte inferior de la cabeza de potencia insertando un destornillador/llave hex en la ranura en el otro extremo de la cubierta del ventilador (ubicada en la parte trasera de la cabeza de potencia) para activar la liberación interna, y retirar la cubierta del ventilador (Fig. I).

Fig. I



- Sujete el ensamble del tubo de vacío a la cabeza de potencia (Fig. J) ubicando el ensamble como lo indica la flecha, después haga pivote en este punto hasta que el seguro de bloqueo/liberación esté completamente conectado.

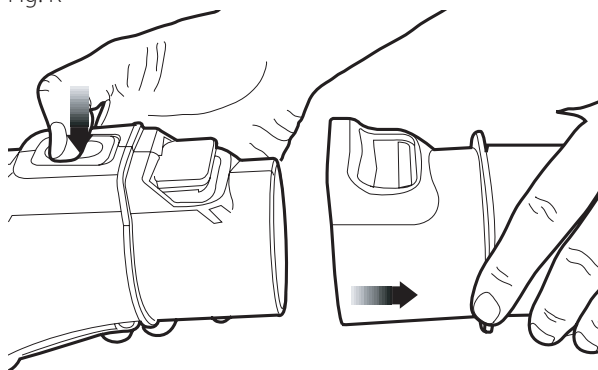
Fig. J



Desinstalación de Tubo de Soplado o Tubo de Recolección Flexible (Fig. K)

1. Para retirar el tubo de soplado o el tubo de recolección flexible, presione el botón de liberación 6 en la cabeza de potencia y jale de forma recta hacia afuera (Fig. K).

Fig. K



OPERACIÓN

ADVERTENCIA: No opere el soplador sin el tubo de soplado o tubo de recolección flexible firmemente en su lugar. Nunca inserte la mano al alojamiento a través del orificio del tubo.

USO COMO SOPLADOR

ADVERTENCIA: Siempre use gafas de seguridad. Use una máscara con filtro si la operación produce polvo. Se recomienda el uso de guantes de hule y calzado adecuado cuando trabaje en exteriores. Sólo para uso doméstico.

ADVERTENCIA: Riesgo de corte. Cuando apague la herramienta para la instalación del tubo o cualquier otra razón, espere 10 segundos para que el ventilador deje de girar antes del desensamble.

- No use en modo de aspiradora sin los tubos de aspiradora y la bolsa de recolección en su lugar.
- Siempre apague y retire el enchufe del suministro eléctrico cuando:
 - Cambie de soplador a aspiradora o viceversa.
 - El cable de suministro de energía se dañó o se enredó.
 - Deje el soplador/aspiradora desatendido.
 - Retira un bloqueo.
 - Verificación, ajuste, limpieza o trabajo en el soplador/aspiradora.

- Sólo use el soplador/aspiradora durante el día o con buena iluminación artificial.

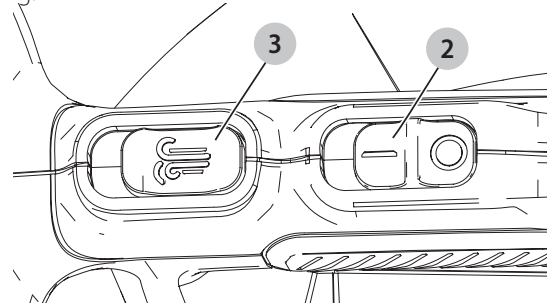
Encendido/Apagado (Fig. L)

- ADVERTENCIA:** Use ambas manos para sujetar el producto firmemente cuando lo encienda.
- ATENCIÓN:** No apunte la descarga de la unidad a usted mismo o a transeúntes.
- ADVERTENCIA:** Riesgo de corte. Cuando apague la herramienta para la instalación del tubo o cualquier otra razón, espere 10 segundos para que el ventilador deje de girar antes del desensamble.

Su soplador está equipado con un interruptor de encendido/apagado ubicado en la parte superior de la manija de la cabeza de potencia 4.

- Para encender el soplador, deslice el interruptor de encendido/apagado 2 hacia el frente como se muestra en la Fig. L.
- Para apagar el soplador, deslice el interruptor de encendido/apagado 2 hacia atrás como se muestra en la Fig. L.

Fig. L



FUNCION POWER BOOST

La función POWERBOOST está ubicada en la cabeza de potencia. Permite optimizar el desempeño de la herramienta y refuerza la potencia conforme se necesite.

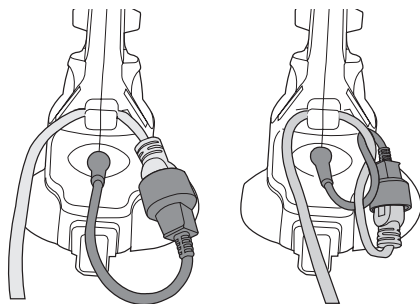
- Encienda el soplador.
- Para activar el modo "Boost" (Refuerzo), deslice el botón POWERBOOST 3 hacia la manija auxiliar.
- Para desactivar el modo "Boost" (Refuerzo), deslice el botón POWERBOOST 3 lejos de la manija auxiliar.

NOTA: Opere en modo "Normal" para la mayoría de las necesidades de soplado. Active el modo "Boost" conforme se necesite para despejar o aspirar desechos pesados.

Retenedor de Cable (Fig. M)

- Un retenedor de cable está incorporado en la parte trasera de la cabeza de potencia. Se puede usar en dos maneras diferentes:
 - Para usar el retenedor de cable como se muestra en la Fig. M, enganche el cable de extensión debajo del retenedor. Después conecte el cable de la cabeza de potencia en el cable de extensión.
 - Para usar el retenedor de cable como se muestra en la Fig. M, enrede el cable de extensión sobre el cable de la cabeza de potencia y conecte los dos extremos entre sí. Después enganche el cable de extensión debajo del retenedor.

Fig. M



Uso como Soplador (Fig. D, M, N)

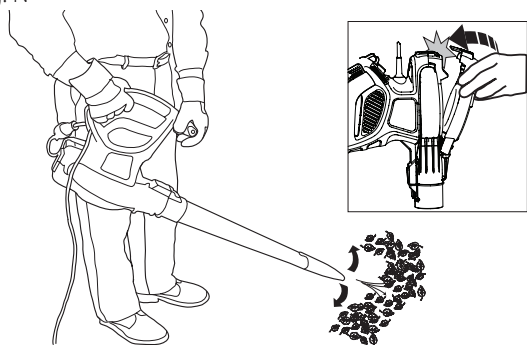
! ADVERTENCIA: Asegúrese que el producto esté apagado y desconectado del suministro de energía.

- Instale la cubierta del ventilador **14** como se muestra en la Fig. N hasta que se escuche un clic audible.

! ATENCIÓN: RIESGO DE CORTE. Asegure que la cubierta del ventilador **14** esté asentada y asegurada firmemente en posición.

- Conecte el ensamblaje del tubo de soplado a la cabeza de potencia como se muestra en la Fig. D.
- Conecte el cable en la cabeza de potencia al suministro de energía (Fig. M).
- Sostenga el tubo de soplado aproximadamente a 7 pulgadas (180 mm) sobre el suelo, encienda el soplador/aspiradora y con un movimiento de barrido de lado a lado, avance lentamente manteniendo los desechos/hojas acumulados el frente de usted como se muestra en la Fig. N.

Fig. N



- Una vez que haya soplado los desechos/hojas en una pila, puede convertir a modo de aspiradora para recolectar los desechos.
- Utilizar un concentrador de aire ayudará a retirar los desechos y hojas apilados.

USO COMO ASPIRADORA

Modo de Aspiradora (Fig. F, I, J, Q, M, O)

! ADVERTENCIA: Asegúrese que el producto esté apagado y desconectado del suministro de energía.

Para instalar el ensamblaje de la bolsa de recolección al producto:

- Retire el tubo de soplado.
- Empuje el ensamblaje de tubo de recolección flexible sobre la cubierta de potencia hasta que esté

completamente asegurado en posición y se escuche un clic audible. (Fig. F).

! ADVERTENCIA: No opere el soplador sin el tubo de soplado o tubo de recolección flexible firmemente en su lugar. Nunca inserte la mano al alojamiento a través del orificio del tubo.

- Retire la cubierta del ventilador **14** de la parte inferior de la cabeza de potencia insertando un destornillador/llave hex en la ranura en el otro extremo de la cubierta del ventilador (ubicada en la parte trasera de la cabeza de potencia), y retire la cubierta del ventilador. (Fig. I)
- Sujete el ensamblaje del tubo de vacío a la cabeza de potencia (Fig. M) ubicando el ensamblaje como lo indica la flecha, después haga pivote en este punto hasta que el seguro de bloqueo/liberación esté completamente conectado y se escuche un clic audible.

! ATENCIÓN: RIESGO DE CORTE. Asegure que el ensamblaje de tubo de aspiradora esté asentado y asegurado firmemente en posición.

- Enrolle el extremo abierto de la bolsa u desconecte el sujetador de retención **17** cerrado. (Fig. Q)
- Conecte el cable en la cabeza de potencia al suministro de energía (Fig. M).
- Coloque el tubo ligeramente arriba de los desechos/hojas. Encienda el soplador/aspiradora, después con un movimiento de barrido los desechos/hojas se succionarán hacia arriba del tubo, se triturarán y depositarán en la bolsa de recolección (Fig. O).

Conforme la bolsa de recolección se llene, la potencia de succión disminuirá. Apague el soplador/aspiradora y desconecte del suministro de energía antes de vaciar la bolsa de recolección.

Fig. O

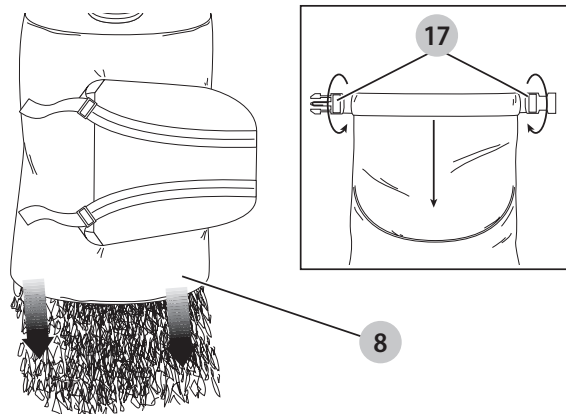


Vaciado de Bolsa de Recolección de Mochila (Fig. P, Q)

! ATENCIÓN: NUNCA RETIRE LA BOLSA DE RECOLECCIÓN SIN PRIMERO APAGAR Y DESCONECTAR LA ASPIRADORA.

- Vacíe la bolsa de recolección de mochila **8** desconectando el sujetador de retención **17** y desenrollando la bolsa como se muestra en la Fig. P.

Fig. P

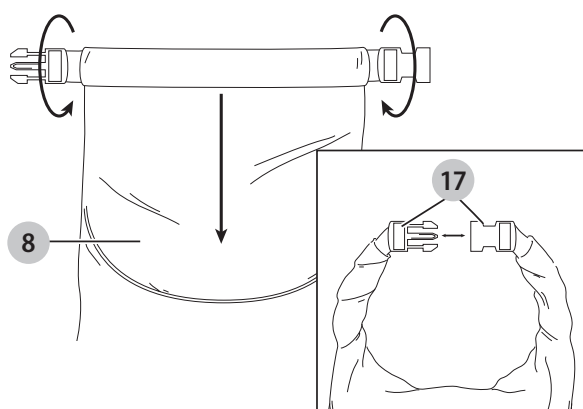


NOTA: Si la succión disminuye y la bolsa no está llena, el tubo de aspiradora probablemente está obstruido con desechos. Apague y desconecte el soplador/aspiradora y desbloquee el tubo antes de continuar.

- Para volver a sellar la bolsa de recolección **8**, enrolle el extremo abierto de la bolsa y asegure el sujetador de retención **17** cerrado como se muestra en la Fig. Q.

ADVERTENCIA: No opere el soplador sin el tubo de soplado o tubo de recolección flexible firmemente en su lugar. Nunca inserte la mano al alojamiento a través del orificio del tubo.

Fig. Q



MANTENIMIENTO

ADVERTENCIA: Para reducir el riesgo de lesiones personales graves, apague la herramienta y desconéctela de la fuente de alimentación antes de realizar ajustes o de retirar/instalar dispositivos o accesorios. Un arranque accidental podría causar lesiones.

Limpieza

ADVERTENCIA: Sople la suciedad y el polvo de todos los conductos de ventilación con aire seco, al menos una vez por semana. Para reducir el riesgo de lesiones, utilice siempre protección para los ojos aprobada ANSI Z87.1 al realizar esta tarea.

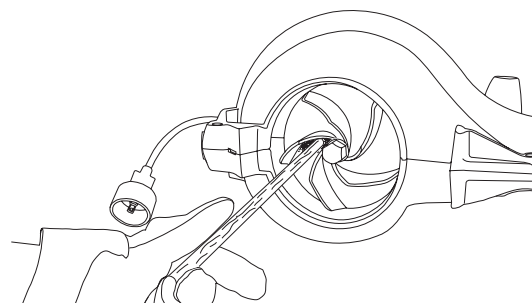
ADVERTENCIA: Nunca utilice solventes ni otros químicos abrasivos para limpiar las piezas no metálicas de la herramienta. Estos productos

químicos pueden debilitar los materiales plásticos utilizados en estas piezas. Utilice un paño humedecido sólo con agua y jabón neutro. Nunca permita que penetre líquido dentro de la herramienta ni sumerja ninguna de las piezas en un líquido.

ADVERTENCIA: ¡APAGUE Y DESCONECTE LA HERRAMIENTA (desconecte el cable de extensión de la toma de corriente).

Utilice únicamente jabón suave y un trapo húmedo para limpiar la herramienta. Limpie todos los desechos y recortes que se hayan acumulado en su Blower/Vac. Cuando la unidad se utiliza apropiadamente con hojas secas, la cámara del ventilador debe permanecer limpia. Si se trabaja con tierra y desechos húmedos, algunas de las partículas se pueden acumular en el interior de la cámara del ventilador. Si esto ocurre, el rendimiento de la unidad bajará. Esta parte puede limpiarse con una vara de madera, como se muestra en la Figura R, luego de desconectar la unidad de la fuente de alimentación. Su soplador aspiradora Blower/Vac debe guardarse en un lugar seco.

Fig. R



ADVERTENCIA: RIESGO DE DESCARGA ELÉCTRICA. NO VACÍE O ROCÍE AGUA EN LA HERRAMIENTA EN UN INTENTO POR LIMPIARLA. No guarde la herramienta sobre fertilizantes o productos químicos ni junto a ellos. Dicho almacenaje puede ocasionarle una rápida corrosión a las partes metálicas. Utilice únicamente jabón suave y un trapo húmedo para limpiar la herramienta. Nunca permita que se introduzcan líquidos en la herramienta; nunca sumerja ninguna parte de la herramienta en ningún líquido.

IMPORTANT: Para garantizar la SEGURIDAD y la CONFIABILIDAD del producto; las reparaciones, el mantenimiento y los ajustes (diferente de los mencionados en este manual) deberán ser efectuados por centros de servicio autorizado u otras organizaciones de servicio calificadas que utilicen siempre refacciones idénticas.

Accesorios

ADVERTENCIA: Debido a que no se han probado con este producto otros accesorios que no sean los que ofrece BLACK+DECKER, el uso de dichos accesorios con esta herramienta podría ser peligroso. Para reducir el riesgo de lesiones, con este producto deben usarse sólo los accesorios recomendados por BLACK+DECKER.

Los accesorios que se recomiendan para utilizar con la herramienta están disponibles a un costo adicional en su distribuidor local o en un centro de mantenimiento

ESPAÑOL

autorizado. Si necesita ayuda para localizar algún accesorio, póngase llame al 1-800-544-6986 o visite nuestro sitio web: www.blackanddecker.com.

Reparaciones



ADVERTENCIA: Para asegurar la **SEGURIDAD** y la **CONFIABILIDAD** del producto, las reparaciones, el mantenimiento y los ajustes deben (inclusive inspección y cambio de carbones) ser realizados en un centro de mantenimiento en la fábrica **BLACK+DECKER** u en un centro de mantenimiento autorizado **BLACK+DECKER**. Utilice siempre piezas de repuesto idénticas.

Para reparación y servicio de sus herramientas eléctricas, favor de dirigirse al Centro de Servicio más cercano

CULIACAN, SIN

Bldv.Emiliano Zapata 5400-1 Poniente Col. (667) 717 89 99
San Rafael

GUADALAJARA, JAL

Av. La Paz #1779 - Col. Americana Sector (33) 3825 6978
Juárez

MEXICO, D.F.

Eje Central Lázaro Cárdenas No. 18 - Local (55) 5588 9377
D, Col. Obrera

MERIDA, YUC

Calle 63 #459-A - Col. Centro (999) 928 5038

MONTERREY, N.L.

Av. Francisco I. Madero 831 Poniente - Col. (818) 375 23 13
Centro

PUEBLA, PUE

17 Norte #205 - Col. Centro (222) 246 3714

QUERETARO, QRO

Av. San Roque 274 - Col. San Gregorio (442) 2 17 63 14

SAN LUIS POTOSI, SLP

Av. Universidad 1525 - Col. San Luis (444) 814 2383

TORREON, COAH

Bldv. Independencia, 96 Pte. - Col. Centro (871) 716 5265

VERACRUZ, VER

Prolongación Díaz Mirón #4280 - Col. (229) 921 7016
Remes

VILLAHERMOSA, TAB

Constitución 516-A - Col. Centro (993) 312 5111

PARA OTRAS LOCALIDADES:

**Si se encuentra en México, por favor llame al
(55) 5326 7100**

**Si se encuentra en U.S., por favor llame al
1-800-544-6986 (1-800 4-BLACK+DECKER)**

Póliza de Garantía

IDENTIFICACIÓN DEL PRODUCTO:

Sello o firma del Distribuidor.

Nombre del producto: _____

Mod./Cat.: _____

Marca: _____

Núm. de serie: _____

(Datos para ser llenados por el distribuidor)

Fecha de compra y/o entrega del producto:

Nombre y domicilio del distribuidor donde se adquirió el producto:

Este producto está garantizado por un año a partir de la fecha de entrega, contra cualquier defecto en su funcionamiento, así como en materiales y mano de obra empleados para su fabricación. Nuestra garantía incluye la reparación o reposición del producto y/o componentes sin cargo alguno para el cliente, incluyendo mano de obra, así como los gastos de transportación razonablemente erogados derivados del cumplimiento de este certificado. Para hacer efectiva esta garantía deberá presentar su herramienta y esta póliza sellada por el establecimiento comercial donde se adquirió el producto, de no contar con ésta, bastará la factura de compra.

Excepciones

Esta garantía no será válida en los siguientes casos:

- Cuando el producto se hubiese utilizado en condiciones distintas a las normales;
- Cuando el producto no hubiese sido operado de acuerdo con el instructivo de uso que se acompaña;
- Cuando el producto hubiese sido alterado o reparado por personas distintas a las enlistadas al final de este certificado.

Anexo encontrará una relación de sucursales de servicio de fábrica, centros de servicio autorizados y franquiciados en la República Mexicana, donde podrá hacer efectiva su garantía y adquirir partes, refacciones y accesorios originales.

Registro en línea

Gracias por su compra. Registre su producto ahora para:

- **SERVICIO EN GARANTÍA:** Si completa esta tarjeta, podrá obtener un servicio en garantía más eficiente, en caso de que exista un problema con su producto.
- **CONFIRMACIÓN DE PROPIEDAD:** En caso de una pérdida que cubra el seguro, como un incendio, una inundación o un robo, el registro de propiedad servirá como comprobante de compra.
- **PARA SU SEGURIDAD:** Si registra el producto, podremos comunicarnos con usted en el caso improbable que se deba enviar una notificación de seguridad conforme a la Federal Consumer Safety Act (Ley Federal de Seguridad de Productos para el Consumidor).

Registro en línea en www.blackanddecker.com/register.

GARANTÍA LIMITADA DE DOS AÑOS

Black & Decker (U.S.) Inc. garantiza que este producto está libre de defectos de material o mano de obra durante un período de dos (2) años desde la fecha de compra, siempre y cuando el producto se utilice en un entorno doméstico. Esta garantía limitada no cubre contra fallas debidas a mal uso, daño accidental o cuando se han realizado o intentado reparaciones por parte de cualquier otra persona ajena a BLACK+DECKER y sus centros de mantenimiento autorizados. Un producto defectuoso que cumple con las condiciones de la garantía establecidas en el presente documento será reemplazado o reparado sin costo de una de las siguientes maneras:

La primera, que únicamente dará lugar a intercambios, consiste en devolver el producto al comerciante minorista donde fue comprado (siempre y cuando la tienda sea un comerciante minorista participante). Las devoluciones deben realizarse dentro del período establecido en la política para intercambios del comerciante minorista. Es posible que se requiera el comprobante de compra. Consulte al comerciante minorista sobre su política específica de devoluciones con respecto a los límites de tiempo para devoluciones o intercambios.

La segunda opción es llevar o enviar (pagado por adelantado) el producto a un centro de mantenimiento de propiedad o con autorización de BLACK+DECKER para su reparación o reemplazo a discreción de BLACK+DECKER. Es posible que se requiera un comprobante de compra. Los centros de mantenimiento de propiedad o con autorización de BLACK+DECKER en línea en www.blackanddecker.com.

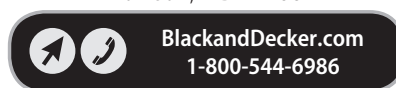
Esta garantía no se aplica a los accesorios. Esta garantía le otorga derechos legales específicos y es posible que tenga otros derechos que varían de un estado a otro. En caso de que tenga alguna pregunta, comuníquese con el gerente del centro de mantenimiento de BLACK+DECKER más cercano a usted. Este producto no está diseñado para uso comercial y, en consecuencia, dicho uso comercial de este producto anulará la garantía. Por medio del presente documento, se declina la responsabilidad de todas las demás garantías, explícitas o implícitas.

AMÉRICA LATINA: Esta garantía no se aplica a productos vendidos en América Latina. Para los productos que se venden en América Latina, consulte la información de garantía específica del país contenida en el empaque, llame a la compañía local o visite el sitio web para obtener dicha información. **AMÉRICA LATINA:** Esta garantía no se aplica a los productos que se venden en América Latina. Para los productos que se venden en América Latina, debe consultar la información de la garantía específica del país que viene en el empaque, llamar a la compañía local o visitar el sitio Web a fin de obtener esa información.

REEMPLAZO GRATUITO DE LAS ETIQUETAS DE

ADVERTENCIAS: Si sus etiquetas de advertencia se vuelven ilegibles o faltan, llame al 1-800-544-6986 para que se le reemplacen gratuitamente.

Importado por Black & Decker (U.S.) Inc.,
701 E. Joppa Rd.
Towson, MD 21286



DETECCIÓN DE PROBLEMAS

Para conocer la ubicación del centro de mantenimiento más cercano a fin de recibir ayuda con su producto, visite nuestro sitio Web www.blackanddecker.com o llame a la línea de ayuda BLACK+DECKER al **55-5326-7100**.

Problema	Causa posible	Solución posible
La unidad no enciende.	La cubierta del ventilador o el tubo de aspirado no está instalado.	Instale la cubierta del ventilador para el modo sopladora o el tubo de aspirado para el modo aspiradora.
	Cable desenchufado.	Enchufe el cargador en un tomacorriente que funcione.
	Fusible quemado.	Reemplace el fusible quemado. (Si repetidamente el producto hace que el fusible del circuito se queme, deje de utilizarlo inmediatamente y haga que le realicen mantenimiento en un centro de mantenimiento BLACK+DECKER o en un centro de servicio autorizado.)
	El interruptor automático está activado.	Reinicie el interruptor automático. (Si repetidamente el producto hace que el fusible del circuito se queme, deje de utilizarlo inmediatamente y haga que le realicen mantenimiento en un centro de mantenimiento BLACK+DECKER o en un centro de servicio autorizado.)
La unidad está atascada u obstruida.	Interruptor o cable dañado.	Haga reparar el cable o el interruptor en un centro de mantenimiento BLACK+DECKER o en un centro de mantenimiento autorizado.
	Los residuos bloquean los conductos de entrada y salida o el ventilador.	Desenchufe el cable de alimentación. Extraiga el tubo almacenamiento: Referirse a Limpieza-Mantenimiento .

Black & Decker (U.S.) Inc.
701 East Joppa Road, Towson, MD 21286
Part No. N511768
BEBL7000
MAY 2017

Copyright © 2017 BLACK+DECKER