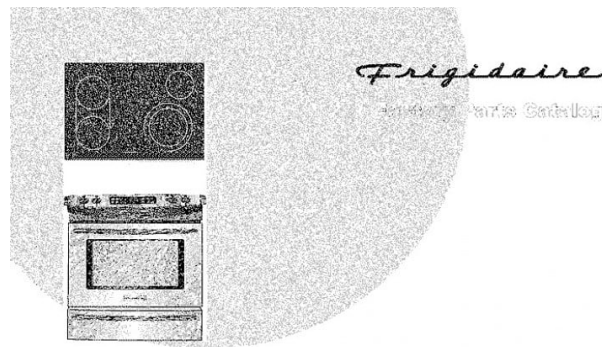


This Owner's Manual is provided and hosted by Appliance Factory Parts.




FRIGIDAIRE PLES399ECG Owner's Manual

[Shop genuine replacement parts for FRIGIDAIRE
PLES399ECG](#)



Product No.	PLES399ECG
Series	3757386, 3557
Color	stainless
Market	North America
Wiring Diagram	318271534
Owner's Guide	318203034
Installation Instructions	318201611
Timer Guide	318200194

 Electrolux Major Appliances North & Latin America P.O. BOX 212278 AUGUSTA, GA 30917	30-INCH SLIDE-IN ELECTRIC RANGE Model No. PLES399E
---	---

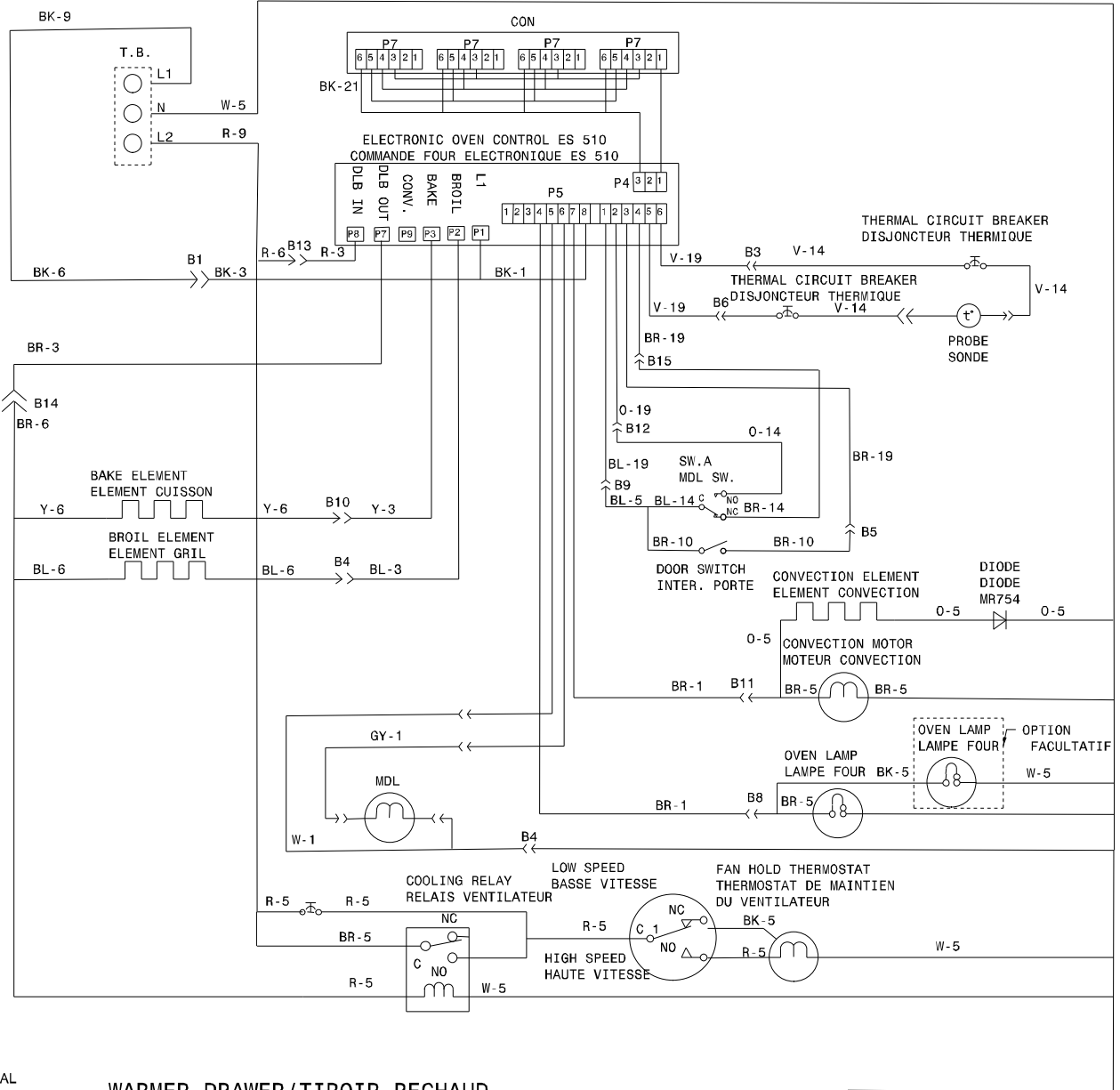
Publication No.
5995489076
07/04/16
(EN-SERVICE/ECL)
377

Copyright © 2007 Electrolux Home Products, Inc.
All rights reserved.

[Find Your FRIGIDAIRE Electric Range Parts - Select From 279 Models](#)

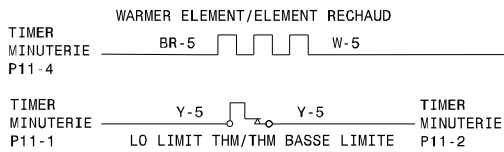
----- Manual continues below -----

OVEN CIRCUIT // CIRCUIT DU FOUR



OPTIONAL FACULTATIF

WARMER DRAWER/TIROIR RECHAUD



WIRE FIL	GAUGE CALIBRE	TEMP. °C	CSA	UL
16	8	60		
17	10	60		
18	10	200	SEW-1	3122
19	20	125	SEW-1	3173
20	20	200	SEW-1	3122
21	22	125	CL-1252	3266
22	22	150		10109

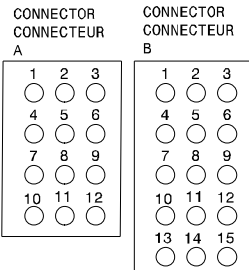
LEGEND/LEGENDE

SW. - SWITCH/INTERRUPTEUR
 R.F. - RIGHT FRONT/AVANT DROIT
 R.R. - RIGHT REAR/ARRIERE DROIT
 L.F. - LEFT FRONT/AVANT GAUCHE
 L.R. - LEFT REAR/ARRIERE GAUCHE
 LIM. - LIMITOR/LIMITEUR
 H.S. - HOT SURFACE/SURFACE CHAUDE
 T.B. - TERMINAL BLOCK/BLOC DE CONNECTION
 CON. - CONTROL/CONTROLE ESEC 15
 C.T. - COOK TOP/TABLE DE CUISSON
 MDL. - MOTOR DOOR LATCH/MOTEUR PORTE VERROU

COLOR CODE/CODE DE COULEUR

G. - GREEN/VERT
 W. - WHITE/BLANC
 R. - RED/ROUGE
 O. - ORANGE/ORANGE
 Y. - YELLOW/JAUNE
 BR. - BROWN/BRUN
 BL. - BLUE/BLEU
 BK. - BLACK/NOIR

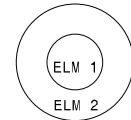
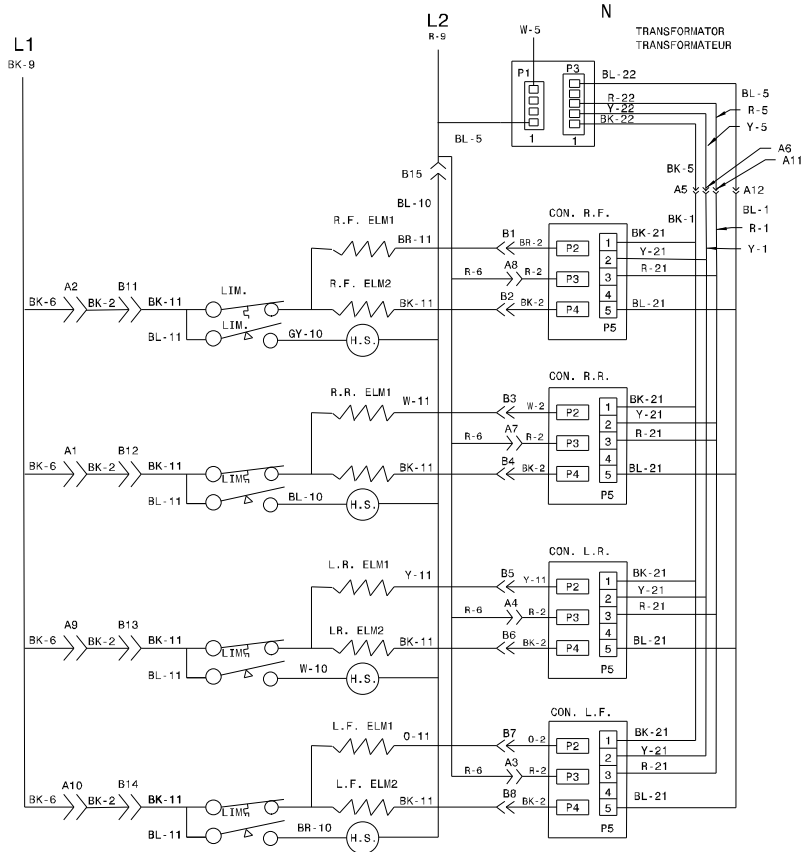
WIRE FIL	GAUGE CALIBRE	TEMP. °C	CSA	UL
1	18	125	CL1251	3173
2	16	125	CL1251	3173
3	14	125	CL1251	3173
4	12	125	CL1251	3173
5	18	150	EXL-150	3321
6	16	150	EXL-150	3321
7	14	150	EXL-150	3321
8	12	150	EXL-150	3321
9	10	150	EXL-150	3321
10	18	200	SEW-1	3122
11	16	200	SEW-1	3122
12	12	250		3252
13	16	250		3252
14	20	150	EXL-150	3321
15	8	150	EXL-150	3321



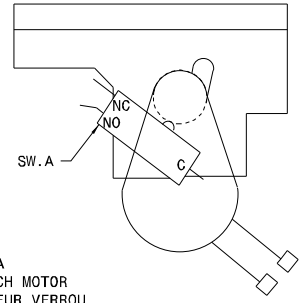
CAUTION: DISCONNECT POWER BEFORE SERVICING UNIT.
ATTENTION: COUPEZ L'ALIMENTATION AVANT D'EFFECTUER LA REPARATION.

318271934 REV:C
SHEET/FEUILLE: 1 / 2

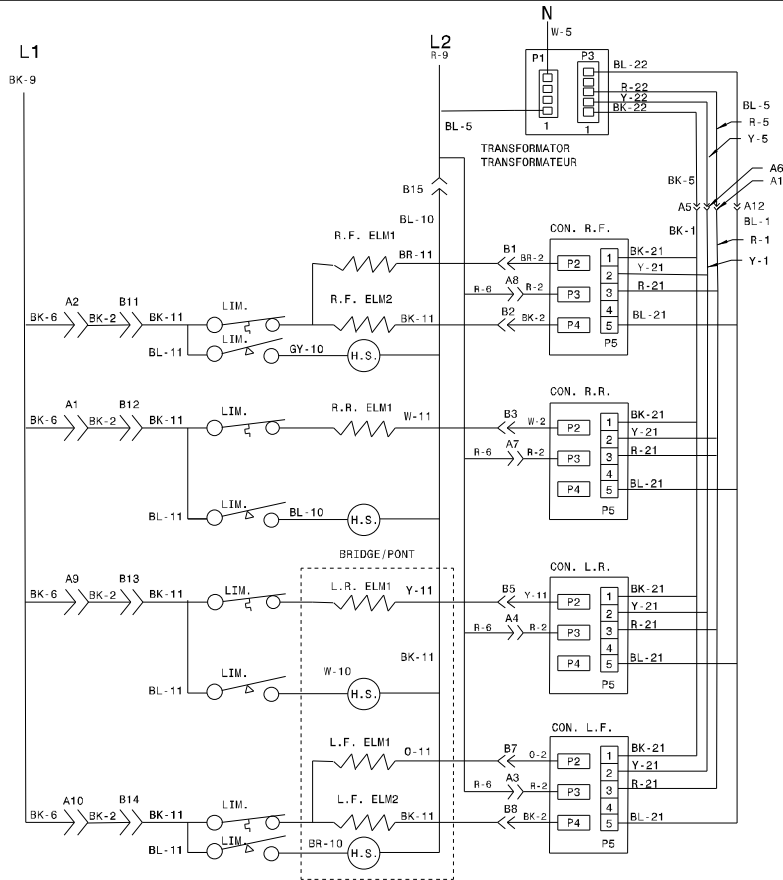
COOKTOP CIRCUIT // CIRCUIT TABLE CUISSON



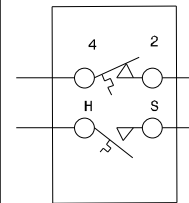
DUAL ELEMENT
ELEMENT DOUBLE



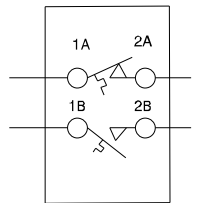
SW.A
LATCH MOTOR
MOTEUR VERROU



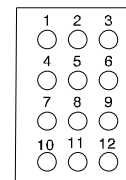
LIMITER/LIMITEUR
E.G.O./A.K.O.



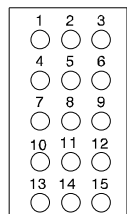
LIMITER/LIMITEUR
CERAMASPEED/EIKA



CONNECTOR
CONNECTEUR
A



CONNECTOR
CONNECTEUR
B



CAUTION: DISCONNECT POWER BEFORE SERVICING UNIT.
ATTENTION: COUPEZ L'ALIMENTATION AVANT D'EFFECTUER LA REPARATION.

318271934 REV:C
SHEET/FEUILLE: 2/2