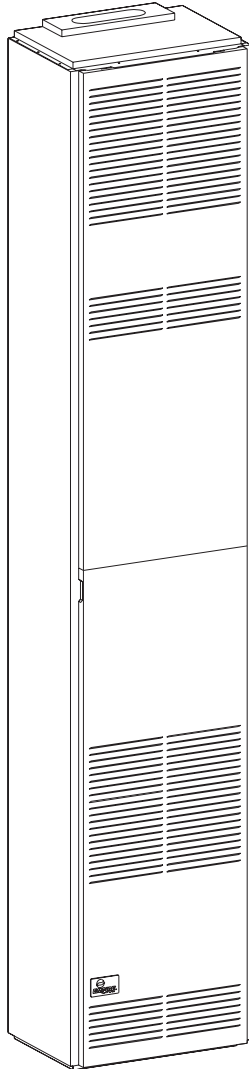




INSTALLATION INSTRUCTIONS AND OWNER'S MANUAL



FAN TYPE VENTED WALL FURNACE

MODEL
FAW-55-1SPP



Installer: Leave this manual with the appliance.
Consumer: Retain this manual for future reference.

WARNING: If not installed, operated and maintained in accordance with the manufacturer's instructions, this product could expose you to substances in fuel or from fuel combustion which can cause death or serious illness.

WARNING: If the information in these instructions are not followed exactly, a fire or explosion may result causing property damage, personal injury or loss of life.

- Do not store or use gasoline or other flammable vapors and liquids in the vicinity of this or any other appliance.
- **WHAT TO DO IF YOU SMELL GAS**
 - Do not try to light any appliance.
 - Do not touch any electrical switch; do not use any phone in your building.
 - Immediately call your gas supplier from a neighbor's phone. Follow the gas supplier's instructions.
 - If you cannot reach your gas supplier, call the fire department.
- Installation and service must be performed by a qualified installer, service agency or the gas supplier.

Introduction

Always consult your local Building Department regarding regulations or ordinances which apply to the installation of a vented wall furnace.

Instructions to Installer

1. Installer must leave instruction manual with owner after installation.
2. Installer must have owner fill out and mail warranty card supplied with furnace.
3. Installer should show owner how to start and operate furnace and thermostat.

Warning:

Any change to this furnace or its control can be dangerous. This is a heating appliance and any panel, door or guard removed for servicing an appliance must be replaced prior to operating the appliance.

To Conserve Gas: Turn off pilot when heater is not in use.

General Information

This series is design certified in accordance with American National Standard/CSA Standard Z21.86 and CSA 2.32 by the Canadian Standards Association, as a Fan Type Vented Wall Furnace and must be installed according to these instructions.

Any alteration of the original design, installed other than as shown in these instructions or use with a type of gas not shown on the rating plate is the responsibility of the person and company making the change.

Important

All correspondence should refer to complete Model No., Serial No. and type of gas.

Notice: During initial firing of this unit, its paint will bake out and smoke will occur. To prevent triggering of smoke alarms, ventilate the room in which the unit is installed.

Installation on Rugs and Tile

If this appliance is installed directly on carpeting, tile or other combustible material other than wood flooring, the appliance shall be installed on a metal or wood panel extending the full width and depth of the appliance.

The bas referred to above does not mean the fire-proof base as used on wood stoves. The protection is for rugs that are extremely thick and light colored tile.

Installation in Residential Garages

Gas utilization equipment in residential garages shall be installed so that all burners and burner ignition devices are located not less than 18" (457mm) above the floor.

Such equipment shall be located, or protected, so it is not subject to physical damage by a moving vehicle.

Specifications

Model	FAW-55SPP
Input BTU/HR (KW/H)	55,000 (16.1)
Height	82 3/8" (209.2cm)
Width	16" (406mm)
Depth	11 1/2" (292mm)
Gas Inlet	1/2" (13mm) Pipe
Vent Collar	4" 102mm) Type B Oval
CFM	400
Accessories	See Page 12

THIS IS A HEATING APPLIANCE

DO NOT OPERATE THIS APPLIANCE WITHOUT FRONT PANELS INSTALLED.

- Due to high temperatures, the appliance should be located out of traffic and away from furniture and draperies.
- Children and adults should be alerted to the hazards of high surface temperatures and should stay away to avoid burns or clothing ignition.
- Young children should be carefully supervised when they are in the same room as the appliance.
- Clothing or other flammable material should not be placed on or near the appliance.
- Any safety screen or guard removed for servicing an appliance must be replaced prior to operating the appliance.
- Keep burner and control compartment clean.
- Installation and repair should be done by a QUALIFIED SERVICE PERSON. The appliance should be inspected before use and at least annually by a qualified service person. More frequent cleaning may be required due to excessive lint from carpeting, bedding materials, etc. It is imperative that control compartments, burners and circulating air passageways of the appliance be kept clean.
- Do NOT put anything around the furnace that will obstruct the flow of combustion and ventilation air.
- DO keep the appliance area clear and free from combustible material, gasoline and other flammable vapors and liquids.
- DO examine venting system periodically and replace damaged parts.
- DO make a periodic visual check of pilot and burners. Clean and replace damaged parts.
- CAUTION: Pilot hole cover must be kept tightly closed during operation.
- DO NOT use this heater if any part has been under water. Immediately call a qualified service technician to inspect the heater and to replace any part of the control system and any gas control which has been under water.
- This furnace must not be connected to a chimney flue serving a separate solid-fuel burning appliance.

SAFETY INFORMATION FOR USERS OF LP-GAS

Propane (LP-Gas) is a flammable gas which can cause fires and explosions. In its natural state, propane is odorless and colorless. You may not know all the following safety precautions which can protect both you and your family from an accident. Read them carefully now, then review them point by point with the members of your household. Someday when there may not be a minute to lose, everyone's safety will depend on knowing exactly what to do. If, after reading the following information, you feel you still need more information, please contact your gas supplier.

LP-GAS WARNING ODOR

If a gas leak happens, you should be able to smell the gas because of the odorant put in the LP-Gas. That's your signal to go into immediate action!

- Do not operate electric switches, light matches, use your phone. Do not do anything that could ignite the gas.
- Get everyone out of the building, vehicle, trailer, or area. Do that IMMEDIATELY.
- Close all gas tank or cylinder supply valves.
- LP-Gas is heavier than air and may settle in low areas such as basements. When you have reason to suspect a gas leak, keep out of basements and other low areas. Stay out until firefighters declare them to be safe.
- Use your neighbor's phone and call a trained LP-Gas service person and the fire department. Even though you may not continue to smell gas, do not turn on the gas again. Do not re-enter the building, vehicle, trailer, or area.
- **Finally**, let the service man and firefighters check for escaped gas. Have them air out the area before you return. Properly trained LP-Gas service people should repair the leak, then check and relight the gas appliance for you.

NO ODOR DETECTED - ODOR FADE

Some people cannot smell well. Some people cannot smell the odor of the chemical put into the gas. You must find out if you can smell the odorant in propane. Smoking can decrease your ability to smell. Being around an odor for a time can affect your sensitivity or ability to detect that odor. Sometimes other odors in the area mask the gas odor. People may not smell the gas odor or their minds are on something else. Thinking about smelling a gas odor can make it easier to smell.

The odorant in LP-gas is colorless, and it can fade under some circumstances. For example, if there is an underground leak, the movement of the gas through soil can filter the odorant. Odorants in LP-Gas also are subject to oxidation. This fading can occur if there is rust inside the storage tank or in iron gas pipes.

The odorant in escaped gas can adsorb or absorb onto or into walls, masonry and other materials and fabrics in a room. That will take some of the odorant out of the gas, reducing its odor intensity.

LP-Gas may stratify in a closed area, and the odor intensity could vary at different levels. Since it is heavier than air, there may be more odor at lower levels. Always be sensitive to the slightest gas odor. If you detect any odor, treat it as a serious leak. Immediately go into action as instructed earlier.

SOME POINTS TO REMEMBER

- Learn to recognize the odor of LP-gas. Your local LP-Gas Dealer can give you a "Scratch and Sniff" pamphlet. Use it to find out what the propane odor smells like. If you suspect that your LP-Gas has a weak or abnormal odor, call your LP-Gas Dealer.
- If you are not qualified, do not light pilot lights, perform service, or make adjustments to appliances on the LP-Gas system. If you are qualified, consciously think about the odor of LP-Gas prior to and while lighting pilot lights or performing service or making adjustments.
- Sometimes a basement or a closed-up house has a musty smell that can cover up the LP-Gas odor. Do not try to light pilot lights, perform service, or make adjustments in an area where the conditions are such that you may not detect the odor if there has been a leak of LP-Gas.
- Odor fade, due to oxidation by rust or adsorption on walls of new cylinders and tanks, is possible. Therefore, people should be particularly alert and careful when new tanks or cylinders are placed in service. Odor fade can occur in new tanks, or reinstalled old tanks, if they are filled and allowed to set too long before refilling. Cylinders and tanks which have been out of service for a time may develop internal rust which will cause odor fade. If such conditions are suspected to exist, a periodic sniff test of the gas is advisable. If you have any question about the gas odor, call your LP-gas dealer. A periodic sniff test of the LP-gas is a good safety measure under any condition.
- If, at any time, you do not smell the LP-Gas odorant and you think you should, assume you have a leak. Then take the same immediate action recommended above for the occasion when you do detect the odorized LP-Gas.
- If you experience a complete "gas out," (the container is under no vapor pressure), turn the tank valve off immediately. If the container valve is left on, the container may draw in some air through openings such as pilot light orifices. If this occurs, some new internal rusting could occur. If the valve is left open, then treat the container as a new tank. Always be sure your container is under vapor pressure by turning it off at the container before it goes completely empty or having it refilled before it is completely empty.

Ventilation and Combustion Air

Wall furnaces shall be installed in a location in which the facilities for ventilation permit satisfactory combustion of gas and proper venting under normal conditions. In buildings of conventional frame, brick, or stone construction without tight storm windows and doors, infiltration is normally adequate to provide air for combustion and draft hood dilution.

Where appliances are installed in confined and unconfined spaces within a building, the building being of unusually tight construction, air for combustion and ventilation must be obtained directly from outdoors or from such spaces that freely communicate with the outdoors. Under these conditions, the confined and unconfined spaces shall be provided with two permanent openings, one near the top of the enclosure and one near the bottom; each opening shall have a free area of not less than one square inch (6.45cm²) per 2,000 BTU hr. (.6KW/H) of total input.

Qualified Installing Agency

Installation and replacement of gas piping, gas utilization equipment or accessories and repair and servicing of equipment shall be performed only by a qualified agency. The term "qualified agency" means any individual, firm, corporation or company which either in person or through a representative is engaged in and is responsible for (a) the installation or replacement of gas piping or (b) the connection, installation, repair or servicing of equipment, who is experienced in such work, familiar with all precautions required and has complied with all the requirements of the authority having jurisdiction.

State of Massachusetts: The installation must be made by a licensed plumber or gas fitter in the Commonwealth of Massachusetts.

The installation must conform with local codes or, in the absence of local codes, with the National Fuel Gas Code, ANSI Z223.1/ NFPA 54* Natural Gas and Propane Installation Code, CSA B149.1.

**Available from the American National Standards Institute, Inc., 11 West 42nd St., New York, N.Y. 10036.*

Clearances

1. In selecting a location for installation, it is necessary to provide adequate accessibility clearances for servicing and proper installation.
2. The FAW-55 can be attached to the wall or recessed into the wall up to 4 inches (102mm) in depth.
3. The wall in which the furnace is recessed has (0) zero (0mm) clearance to the furnace sides and top.
4. When using side discharge registers, SOR-1 or SOK-1, the furnace cannot be recessed into the wall.
5. Clearance to sidewall or combustible material is 4 inches (102mm).
6. Ceiling clearance is 7 1/2 inches (191mm)
7. Floor and rear wall clearance is (0) zero inches (0mm).
8. Clearance of 18 inches (457mm) is required to adjacent wall or combustible material when flushed mounted SOR-1, side outlet register is used.

Before Installing Consider The Following Venting

1. A chimney for residential-type or low-heat gas utilization equipment shall extend at least 3 feet (914mm) above the highest point where it passes through a roof of a building and at least 2 feet (610mm) higher than any portion of building within a horizontal distance of 10 feet (3m).
2. This furnace must not be connected to a chimney flue serving a separate solid-fuel burning appliance.
3. Uninsulated Single-Wall Metal Pipe shall not be used outdoors in cold climates for venting gas utilization equipment.
4. Attention! This Fan Type Vented Wall Furnace is equipped with

a vent safety switch. In the event of spillage of flue products due to improper venting the vent safety switch will open, which results in the main burners to "shut off."

Refer to Figure 1 and Page 12 for additional information regarding U.L. Listed gas vent equipment.

Installing Optional Side Outlets

Side outlet register, SOR-1 may be installed on one or both sides of the furnace at the required clearances of 18 inches (457mm) to adjacent wall or combustible material as shown in Figure 2.

1. Locate and cut the 5 1/2" (140mm) square opening in the cabinet side using the template from the kit, exposing the inner liner knock-out.
2. Remove the knock-out.
3. Place the register on the 5 1/2" (140mm) opening with the louvers set for the desired direction and mark the mounting holes using the register as a template.
4. Drill two (2) 1/8" (3mm) diameter holes in cabinet side and fasten the register in place with two (2) #10 x 1" (25mm) screws provided.

Side outlet kit, 10" (254mm) boot assembly with register, SOK-1 for warm air discharge into an adjoining room may be installed on either side of the furnace at the required clearance of 4 inches (102mm) to adjacent wall as shown in Figure 3A.

1. Locate and cut the 5 1/2" (140mm) square opening in the cabinet side using the template from the kit, exposing the inner liner knock-out.
2. Remove the knock-out.
3. Using the inner and outer boots as hole templates, mark and drill (8) 1/8" (3mm) diameter holes in the inner liner and cabinet side.
4. Using Figure 3A locate and cut a 6 3/4" (171mm) square opening through walls.
5. Attach furnace to wall (see **Attaching Furnace to Wall**).
6. With furnace in place, after checking alignment of side outlet opening in wall and furnace, place the 9 3/8" x 9 3/8" (238mm x 238mm) side outlet wall plate over outer boot, pass the outer boot through the wall and attach side outlet wall plate to furnace side of wall with (2) #10 x 1" (25mm) screws provided.
7. Fasten outer boot to the cabinet side with (4) #8 x 1/4" (6mm) screws provided.
8. Position and attach inner boot to inner liner with (4) #8 x 1/4" (6mm) screws provided.
9. Locate the register with its louvers positioned for the desired air discharge direction and mark the mounting holes using the register as a template.
10. Drill (2) 1/8" (3mm) diameter holes in the wall and fasten the register in place with (2) #10 x 1" (25mm) screws provided.

Installing Optional Rear Outlet

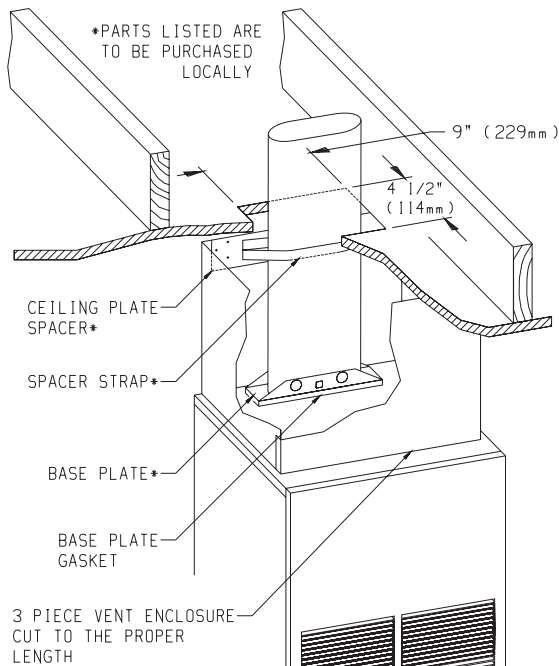
Rear outlet kit, 10" (254mm) boot assembly with register, ROK-1 for warm air discharge into an adjoining room.

Attention: Before furnace is attached to the wall, the wall opening for the rear outlet must be cut, in addition to removal of the outer and inner casing knockouts on furnace.

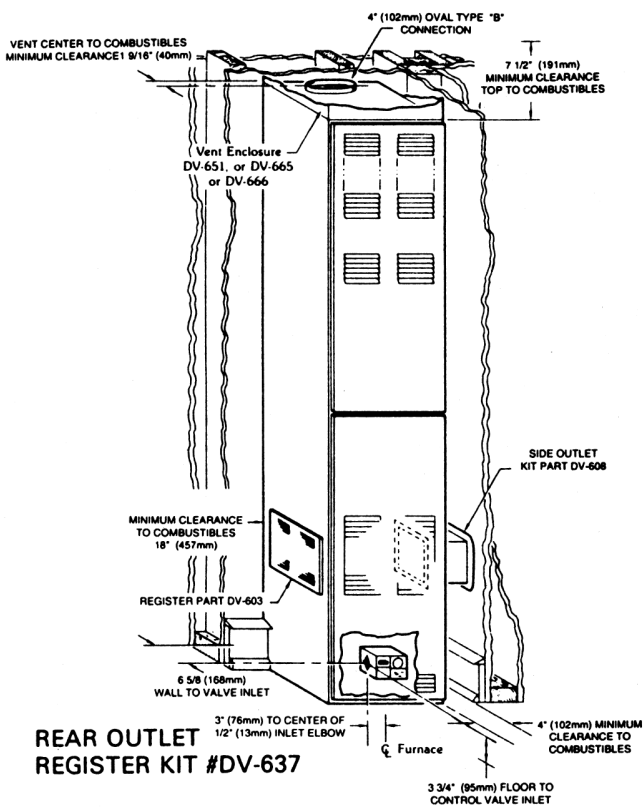
1. The wall opening measurements for the rear outlet are the following.
 - A. From floor to bottom of wall opening is 14 3/4" (375mm).
 - B. From the bottom of wall opening to top of wall opening is 8 1/2" (216mm).
 - C. Wall opening width is 12 1/8" (308mm).
2. Remove outer casing knockout from outer casing back.
3. Remove inner casing knockout from inner casing.
4. Attach furnace to wall (see **Attaching Furnace to Wall**).
5. Align clearance holes on 8" x 12" (203mm x 305mm) boot with

screw holes on outer casing back and mark boot to be flush with wall surface. Remove boot and cut to proper length.

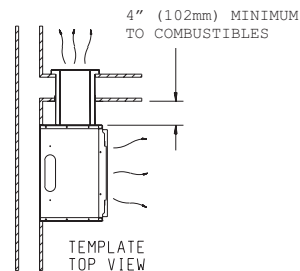
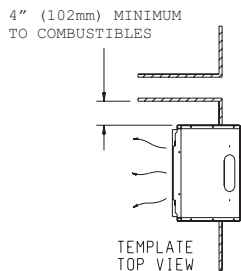
6. Attach 8" x 12" (203mm x 305mm) boot to outer casing back with (6) #10 x 1/2" (13mm) screws provided.
7. Align clearance holes on 6" x 10" (152mm x 254mm) duct with screw holes on inner casing and mark duct to be 2 1/4" (57mm) shorter than 8" x 12" (203mm x 305mm) boot. Remove duct and cut to proper length.
8. Attach 6" x 10" (152mm x 254mm) duct to inner casing with (6) #10 x 1/2" (13mm) screws provided.
9. Insert rear register into 8" x 12" (203mm x 305mm) boot. Attach rear register to wall with (2) #10 x 1" (25mm) screws provided.



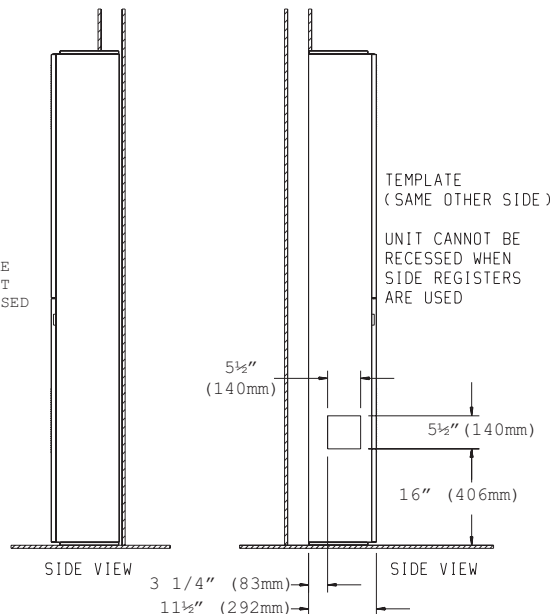
ALL CONNECTIONS MUST BE MECHANICALLY MADE AND LISTED CLEARANCES MAINTAINED



REAR OUTLET REGISTER KIT #DV-637



WHEN SIDE REGISTERS ARE NOT USED UNIT MAY BE RECESSED 4" (102mm)



Locating Furnace On Wall

The furnace is to be located on a wall. The furnace is 16 inches (406mm) in width and normal 16" (406mm) on center studs will not allow the furnace to be recessed into the wall unless a stud is repositioned.

A template is provided in furnace carton for locating gas line connection. Also, refer to Figure 2 for positioning the furnace on wall and for locating gas line connection.

Locating Gas Supply

The gas line can enter the furnace either through the floor or wall. The gas line opening should be made at this time. Location of the opening will be determined by the position of floor joists and the valve and union used for servicing.

Location Electric Supply

A 7/8" (22mm) diameter knockout is provided at the bottom of the left and right side panels. A three-prong (grounding) plug assembly is located within the control compartment (bottom) of the furnace. Please remove 7/8" (22mm) knockout from appropriate side panel when routing plug assembly to an electrical outlet.

Installation of Three-prong (Grounding) Plug Assembly

1. Disconnect nylon cap on 3' (914mm) plug assembly from nylon plug on wiring harness. Remove 3' (914mm) plug assembly from control compartment (bottom) of the furnace.
2. Remove 7/8" (22mm) knockout from appropriate side panel.
3. Insert nylon cap on 3' (914mm) plug assembly into the 7/8" (22mm) hole in the side panel.
4. Connect nylon cap on 3' (914mm) plug assembly to nylon plug on the wiring harness.
5. Place 7/8" (22mm) strain relief bushing around the cord of the 3' (914mm) plug assembly. Insert 7/8" (22mm) strain relief bushing into the 7/8" (22mm) hole in the side panel.

Attention! The 7/8" (22mm) strain relief bushing is located within the same yellow envelope as the Installation Instructions and Owner's Manual.

Attaching Furnace to Wall

When attaching furnace to the wall remove that portion of baseboard and molding on the wall which is behind the furnace. Attach furnace to wall, at the outer casing top, with (2) toggle bolts provided and to floor, at the outer casing bottom, with (2) #10 x 1 1/2" (38mm) screws provided.

Attention! The screw holes on the outer casing bottom are off-set above the floor approximately 3/8" (9.5mm). Do not over-tighten screws and distort the off-set on the outer casing bottom. Distortion of the outer casing bottom will not allow the lower front panel to be attached to the furnace.

Gas Supply

Check all local codes for requirements, especially for the size and type of gas supply line required. On Natural gas lines less than 15' (4.5m) long, use 1/2" (13mm) pipe; on longer runs, use 3/4" (19mm) iron pipe or equal. On LP gas lines please consult LP gas supplier.

Installing a New Main Gas Cock

Each appliance should have its own manual gas cock.

A manual main gas cock should be located in the vicinity of the unit. Where none exists, or where its size or location is not adequate, contact your local authorized installer for installation or relocation.

Compounds used on threaded joints of gas piping shall be resistant to the action of liquefied petroleum gases. The gas lines must be checked for leaks by the installer. This should be done with a soap solution watching for bubbles on all exposed connections, and if unexposed, a pressure test should be made.

Never use an exposed flame to check for leaks. Appliance must be disconnected from piping at inlet of control valve and pipe capped or plugged for pressure test. Never pressure test with appliance connected; control valve will sustain damage!

A gas valve and ground joint union should be installed in the gas line upstream of the gas control to aid in servicing. It is required by the National Fuel Gas Code that a drip line be installed near the gas inlet. This should consist of a vertical length of pipe tee connected into the gas line that is capped on the bottom in which condensation and foreign particles may collect.

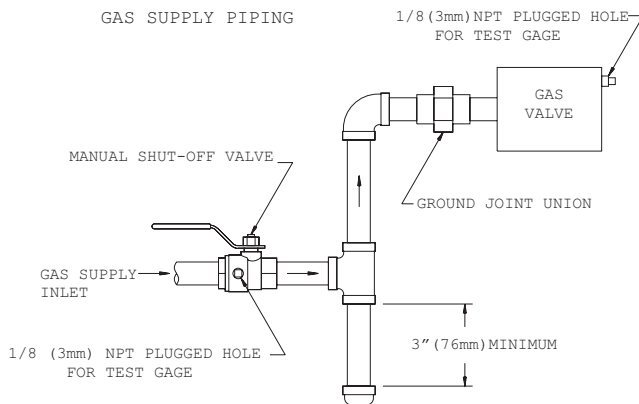


Figure 4

Method of Installing a Tee Fitting Sediment Trap

The use of the following gas connectors is recommended:

- ANS Z21.24 Appliance Connectors of Corrugate Metal Tubing and Fittings
- ANS Z21.45 Assembled Flexible Appliance Connectors of Other Than All-Metal Constructions

The above connectors may be used if acceptable by the authority having jurisdiction.

Pressure Testing of the Gas Supply System

1. To check the inlet pressure to the gas valve, a 1/8" (3mm) N.P.T. plugged tapping, accessible for test gauge connection, must be placed immediately upstream of the gas supply connection to the appliance.
2. The appliance and its individual shutoff valve must be disconnected from the gas supply piping system during any pressure testing of that system at test pressures in excess of 1/2 psig (3.5 kPa).
3. The appliance must be isolated from the gas supply piping system by closing its individual manual shutoff valve during any pressure testing of the gas supply piping system at test pressures equal to or less than 1/2 psig (3.5 kPa).

Attention! If one of the above procedures results in pressures in excess of 1/2 psig (14" w.c.) (3.5 kPa) on the appliance gas valve, it will result in a hazardous condition.

Checking Manifold Pressure

Both Propane and Natural gas valves have a built-in pressure regulator in the gas valve. Natural gas models will have a manifold pressure of approximately 4.0" w.c. (.996kPa) at the valve outlet with the inlet pressure to the valve from a minimum of 5.0" w.c. (1.24kPa). Propane gas models will have a manifold pressure approximately 10.0" w.c. (2.49kPa) at the valve outlet with the inlet pressure to the valve from a minimum of 11.0" w.c. (2.739kPa) for the purpose of input adjustment to a maximum of 13.0" w.c. (3.237kPa).

A 1/8" (3mm) N.P.T. plugged tapping, accessible for test gauge connection, is located on the outlet side of the gas control.

The built-in regulator comes on at approximately 1/4th pressure and full on in 10 seconds.

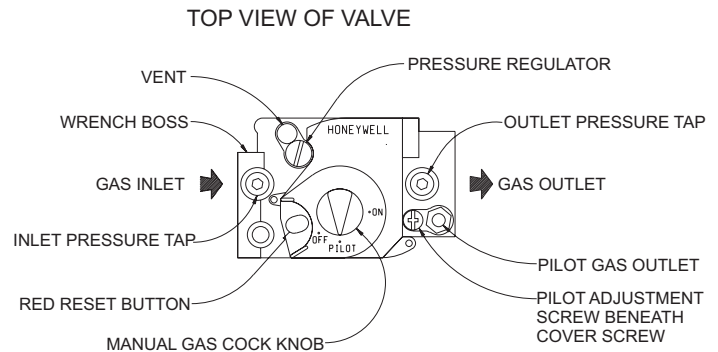


Figure 5

High Altitudes

For altitudes/elevations above 2,000 feet (610m), input ratings should be reduced at the rate of 4 percent for each 1,000 feet (305m) above sea level. Canadian High Altitudes for locations having an elevation above mean sea level between 2,000 feet (610m) and 4,500 feet (1370m), the manifold pressure is to be decreased from 4.0" w.c. (.996kPa) to 3.2" (.797kPa) w.c. for Natural Gas and from 10.0" w.c. (2.49kPa) to 8.0" w.c. (1.992kPa) for Propane Gas.

Piezo Pilot Ignitor Instructions

Depressing the red button completely causes a spark to occur at the pilot. This is a substitute for a match which requires opening the pilot hole cover.

To light the pilot, it is important that the electrode be 1/8" (3mm) from the thermocouple. The spark must occur at the point the burner flame hits the thermocouple. The end of the electrode will be red hot with the pilot on.

On a new installation with air in the gas line, it is suggested that a match be used. The match will light the pilot faster than the piezo under this condition.

Proper Pilot Flame

The correct pilot flame (Figure 6) will be blue, extending past the thermocouple. The flame will surround the thermocouple just below the tip.

Natural gas pilots require adjusting when the inlet gas pressure is above 5" w.c. (1.245kPa). Remove the pilot cover screw on the control valve (Figure 5), and turn the adjustment screw clockwise to reduce flame. Replace pilot cover screw to eliminate gas leakage.

LP gas (propane) will not require adjustment.

After use, cleaning may be required for the proper flame.

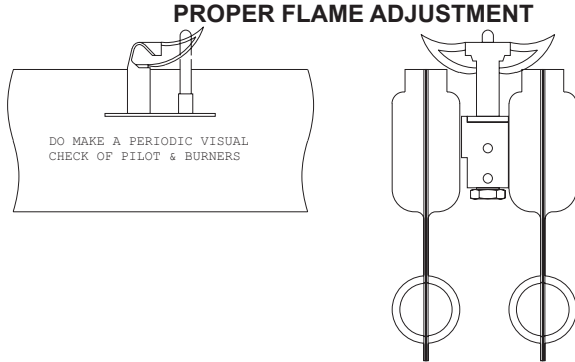


Figure 6

Proper Main Burner Flame

The correct flame will be a short blue inner flame with a much larger light blue outer flame. The main burner (Figure 7) shows the approximate height of each part of the flame for each gas. The burner does not have a primary air adjustment. The flame will be correct if the factory-set pressure and orifice opening are used. After the furnace has been operating, the burner ports may be blocked by foreign matter carried in by combustion air. Therefore, cleaning of the burner may be needed for proper flame.

To clean burner port disconnect the gas supply to the valve, and remove the eight screws fastening the burner door. After removing the burner door from the combustion chamber, remove rear burner, pilot burner and front burner. With front and rear burners removed from furnace, force water into the ribbon ports and dry with air pressure.

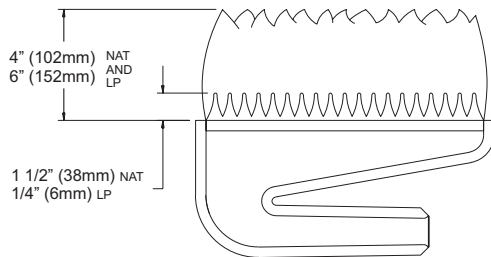


Figure 7

Replacing Fan and Oiling the Motor

The fan motor should be cleaned and oiled once each heating season. To reach the motor, withdraw the metal shroud surrounding the fan blade by removing the screws on each side. Oil holes are located on the top at each end of the motor. Use a few drops of #10 motor oil. To clean the motor, blow air through its ventilation openings with a vacuum cleaner or low pressure air source.

If fan motor is replaced, the silicone rubber gaskets, see Page 10, Index No. 5, Part 712059, should also be replaced. The gaskets must be stretched to fit the motor bolts into the gasket holes and then the motor and gaskets installed on the motor mounting bars.

Wiring

The appliance, when installed, must be electrically grounded in accordance with local codes or, in the absence of local codes with the *National Electrical Code, ANSI/NFPA70* or *Canadian Electrical Code CSA C22.1*, if an external electrical source is utilized. **This appliance is equipped with a three-prong (grounding) plug for your protection against shock hazard and should be plugged directly into a properly grounded three-prong receptacle. Do not cut or remove the grounding prong from this plug.** For an ungrounded receptacle, an adapter, which has two prongs and a wire for grounding, can be purchased, plugged into the ungrounded receptacle and its wire connected to the receptacle mounting screw. With this wire completing the ground, the appliance cord plug can be plugged into the adapter and be electrically grounded. A 7/8" (22mm) hole is provided in the junction box for use with a conduit connector if local codes require this type of protection.

Optional Thermostat Installation

The thermostat should be installed in the same room as the furnace 4' (1.2m) to 5' (1.5m) above the floor and away from another heat source (cooking stove, hot water heater, etc.) including walls and doorways with a heat source in an adjoining room. **Do Not Install Thermostat on Outside Wall.**

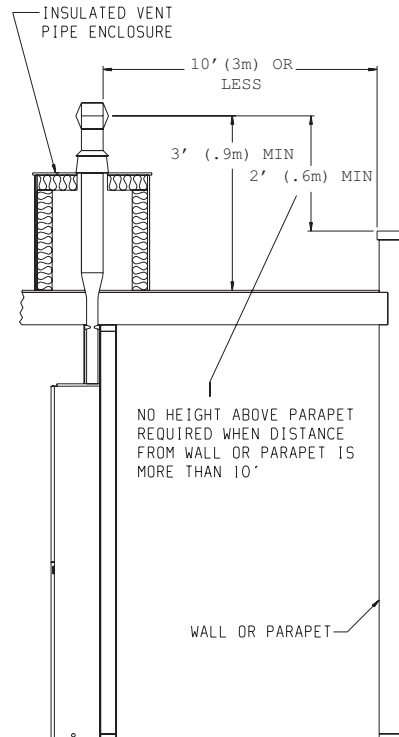
To Conserve Gas: Turn off pilot when heater is not in use.

Insulated Vent Enclosure

Vented wall furnaces installed in buildings with flat roofs can have poor venting. The cold vent pipe will have a delay in proper venting and cause the wall furnace to shut "OFF" by the vent safety switch. To prevent delayed venting as well as condensation of flue products an insulated vent enclosure is recommended.

Use type B vent pipe and maintain at least one inch (25mm) clearance to combustibles.

Use metal thimble to protect vent pipe as it passes through combustibles.



NOTE: MAINTAIN CLEARANCE TO COMBUSTIBLE MATERIALS

Figure 8

Vent Safety Shutoff System

This appliance must be properly connected to a venting system. This appliance is equipped with a vent safety shutoff system.

Warning: Operation of this wall furnace when not connected to a properly installed and maintained venting system or tampering with the vent safety shutoff system can result in carbon monoxide (CO) poisoning and possible death.

This furnace is equipped with a manual reset vent safety switch. The manual reset vent safety switch will cause gas flow to the main burners to “shut off” due to improper venting or a blocked flue.

To reset the manual reset vent safety switch:

1. Remove upper front panel.
2. Depress red manual reset button. The manual reset vent safety switch is located on the draft diverter.
3. Replace upper front panel.

If the manual reset vent safety switch continues to “shut off” the gas flow to the main burners a qualified service person must be contacted to inspect for improper venting, blockage in the vent pipe or the manual reset vent safety switch for being defective.

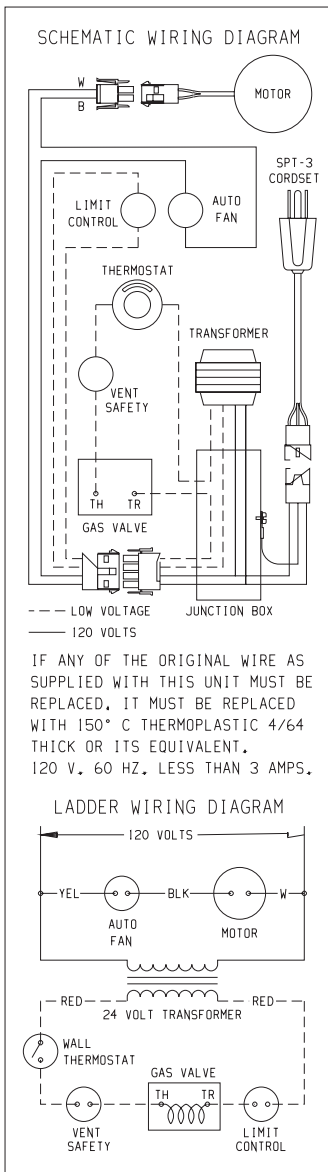


Figure 9

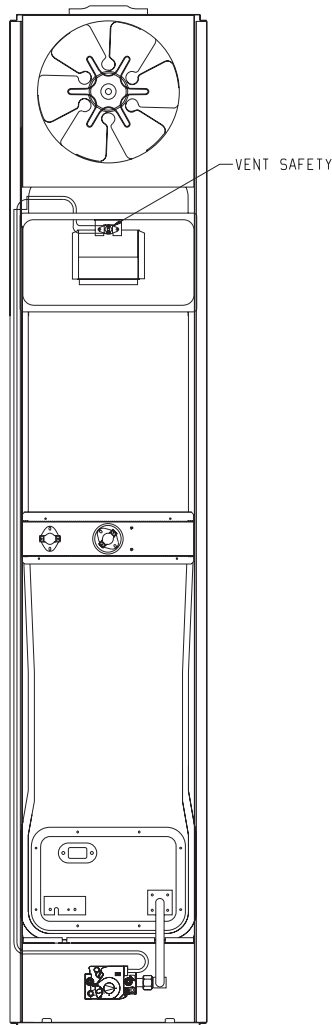


Figure 10

SERVICE AND MAINTENANCE SUGGESTIONS

CALL SERVICEMAN

GENERAL: All furnaces have been fire-tested to check for proper operation. This includes, main burner flame, pilot flame, fan operation, fan control, limit control and automatic valve operation. If the furnace fails to function on initial installation, it is advisable to re-check the following:

1. 115 volts to the junction box.
2. Inlet gas pressure.
3. The 24 volt system
4. Type of gas being used and that shown on the rating label.

The Service Department at Empire Comfort Systems, Inc. may be contacted to assist in servicing furnace.

Servicing the Pilot and Main Burners, Pilot Orifice, Thermocouple, and Main Burner Orifices: Disconnect the gas supply at the inlet to the control valve. Then remove the burner door to which the above components are attached.

Servicing The Fan Motor: The upper front panel the shroud surrounding the fan blade and fan blade must be removed. See “oiling the Motor” paragraph on page 7.

Spark Igniter Does Not Light Pilot: With air in the gas line, such as when the furnace is first installed or was off all summer, the pilot flame may be too lean to ignite on the first few trials. Turn the control valve knob to pilot position and depress the red reset button. Holding the button down continually to bleed the line;

1. Use lighter rod to light pilot with a match.
2. Use the piezo ignitor at 30 second intervals until it lights.

If Electrode Does Not Produce Spark

1. Check wire connections.
2. Check gap for pilot burner to the electrode tip. Should be between 1/8” (3mm) and 3/16” (5mm). Electrode wire and tip must be more than 1/4” (6mm) away from all other metal components.

If Pilot Does Not Light By Any Means:

1. Check valve knob for being in the “Pilot” position.
2. Check pilot adjustment for being full open (counterclockwise to open).
3. If gas is available in the supply tubing, the pilot orifice and/or pilot burner is probably restricted by a spider web. Clean pilot assembly and relight.

If Pilot Does Not Remain On After Releasing Knob:

1. Follow instructions and hold button down longer and harder.
2. Determine if pilot flame extends past thermocouple; if not, adjust input or clean pilot burner.
3. Replace thermocouple if millivolts read less than 15 millivolts.

Main Gas Valve Does Not Open When Thermostat is Turned To On:

1. Check for 24 volts to valve by removing one wire and touch to the **SAME TERMINAL** it was on. Terminal should have a light spark. **DO NOT SHORT ACROSS TERMINALS, AS IT WILL BURN OUT THE WALL THERMOSTAT.**
2. Thermostat wires at the wall may be shorted, so check for a faulty thermostat.
3. To check for line voltage to furnace, remove lower front panel and switch compartment cover and short across two-terminal fan control to allow fan to operate (Figure 9).

CAUTION: Label all wires prior to disconnection when servicing controls. Wiring errors can cause improper and dangerous operation. Verify proper operation after servicing.

FOR YOUR SAFETY READ BEFORE LIGHTING

WARNING: If you do not follow these instructions exactly, a fire or explosion may result causing property damage, personal injury or loss of life.

A. This appliance has a pilot which must be lighted by hand. When lighting the pilot, follow these instructions exactly.

B. BEFORE LIGHTING smell all around the appliance area for gas. Be sure to smell next to the floor because some gas is heavier than air and will settle on the floor.

WHAT TO DO IF YOU SMELL GAS


- Do not try to light any appliance.
- Do not touch any electrical switch; do not use any phone in your building.
- Immediately call your gas supplier from a neighbor's phone. Follow the gas supplier's instructions.

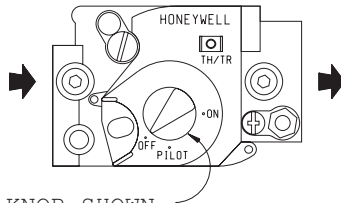
• If you cannot reach your gas supplier, call the fire department.

C. Use only your hand to push in or turn the gas control knob. Never use tools. If the knob will not push in or turn by hand, don't try to repair it; call a qualified service technician. Force or attempted repair may result in a fire or explosion.

D. Do not use this appliance if any part has been under water. Immediately call a qualified service technician to inspect the appliance and to replace any part of the control system and any gas control which has been under water.

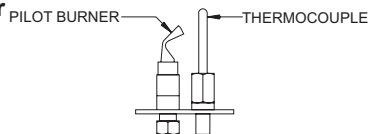
LIGHTING INSTRUCTIONS


1. STOP! Read safety information above.
2. Set the thermostat to lowest setting (if applicable).
3. Turn off all electric power to the appliance.
4. Remove control access panel (lower front panel).
5. Turn gas control knob clockwise  to "OFF."




GAS CONTROL KNOB SHOWN IN "OFF" POSITION.

6. Wait ten (10) minutes to clear out any gas. Then smell for gas, including near the floor. If you smell gas, STOP! Follow "B" in the safety information above. If you don't smell gas, go to the next step.
7. Remove the pilot access cover located on the combustion chamber.
8. Find pilot - follow metal tube from gas control. The pilot is located between the two burner tubes behind the pilot access cover.




9. Turn gas control knob counterclockwise  to "Pilot."
10. Push and hold red reset button down completely and repeatedly push the ignitor button until the pilot burner is lit. Pilot may also be lit with a match. Continue to hold the red reset button down for about one (1) minute after the pilot is lit. Release button and it will pop back up. Pilot should remain lit. If it goes out, repeat step 5 through 10.

- If button does not pop up when released, stop and immediately call a qualified service technician or gas supplier.
- If the pilot will not stay lit after several tries, turn the gas control knob to "OFF" and call your service technician or gas supplier.

11. Replace pilot access cover.
12. Turn gas control knob counterclockwise  to "ON."
13. Replace control access panel (lower front panel).
14. Turn on all electric power to the appliance.
15. Set thermostat to desired setting (if applicable).

TO TURN OFF GAS TO APPLIANCE

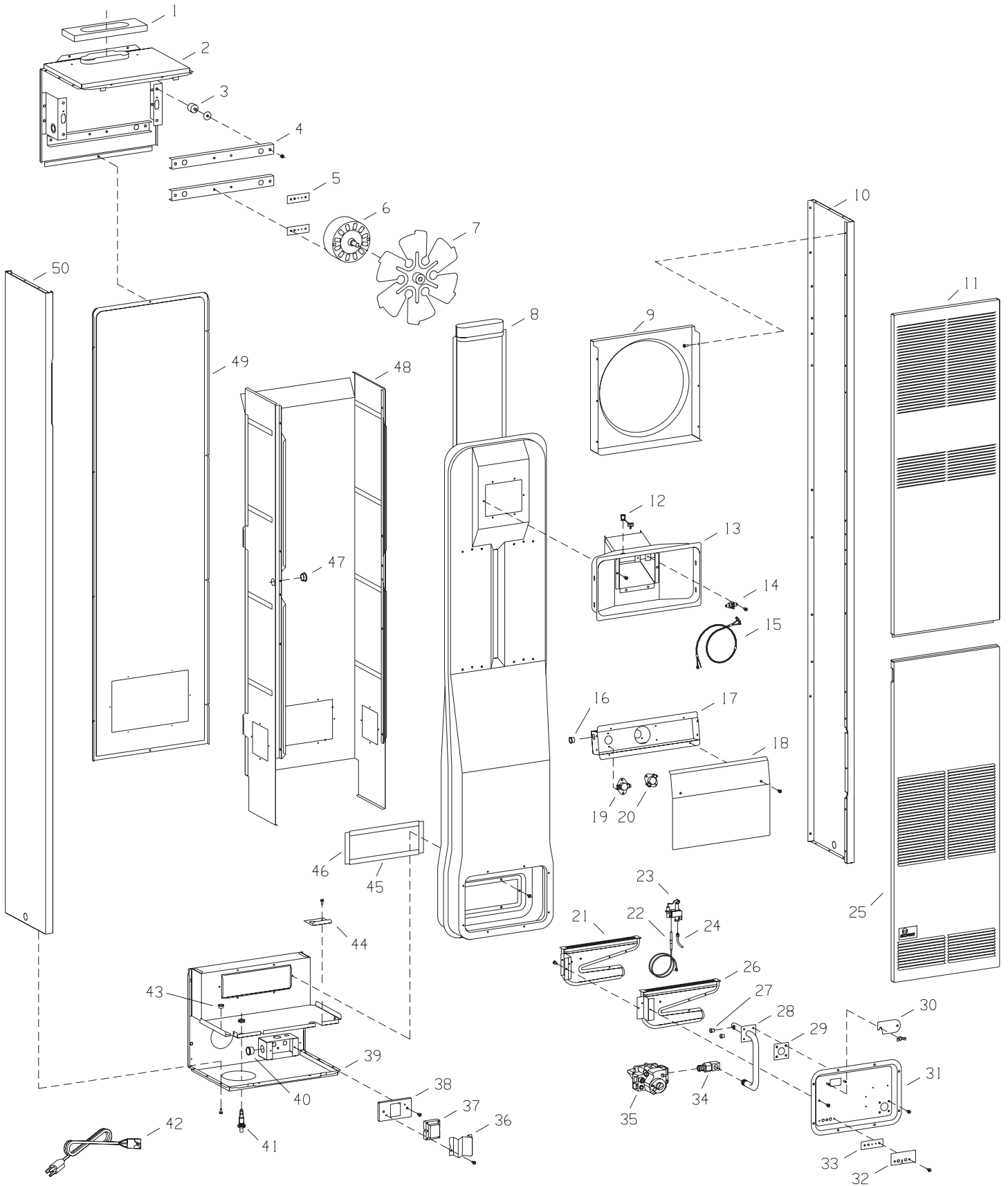
1. Set the thermostat to lowest setting (if applicable).
2. Turn off all electric power to appliance if service is to be performed.
3. Remove control access panel (lower front panel).
4. Push in gas control knob slightly and turn clockwise  to "OFF." Do not force.
5. Replace control access panel (lower front panel).

Please Note: When ordering parts, it is very important that part number and description of part coincide.

Index No.	Part No.	Description
1	WFA115	BASEPLATE GASKET
2	11763	OUTER CASING TOP
3	R618	MOTOR MOUNT (FOUR REQUIRED)
4	11764	MOTOR MOUNTING BAR (TWO REQUIRED)
5	M147	GASKET (TWO REQUIRED)
6	R619	MOTOR
7	11787	FAN BLADE
8	DV635B	COMBUSTION CHAMBER
9	11766	FAN HOUSING
10	11759	SIDE PANEL
11	DV627	UPPER FRONT PANEL
12	R1619	BUSHING
13	DV823	DIVERTER ASSEMBLY
14	R1749	VENT SAFETY SWITCH
15	R1587	VENT SAFETY WIRE ASSEMBLY
16	R1536	BUSHING
17	11765	SWITCH COMPARTMENT ASSEMBLY
18	DV832	SWITCH COMPARTMENT COVER
19	R630	LIMIT CONTROL
20	R1941	FAN CONTROL
21	DV826	REAR BURNER
22	R685	THERMOCOUPLE
23	R622L	PILOT WITH ORIFICE LP GAS
23	R622N	PILOT WITH ORIFICE NATURAL GAS
24	DV808	PILOT TUBING
25	DV562	LOWER FRONT PANEL
26	DV824	FRONT BURNER
27	P8842	MAIN BURNER ORIFICE NATURAL GAS (TWO REQUIRED)
27	P8853	MAIN BURNER ORIFICE LP GAS (TWO REQUIRED)
28	DV687	MANIFOLD AND PLATE ASSEMBLY
29	M148	MANIFOLD GASKET

Index No.	Part No.	Description
30	DV064	COVER PLATE FOR OBSERVATION HOLE
31	DV622	BURNER DOOR NATURAL GAS
31	DV973	BURNER DOOR LP GAS
32	DV775	SEAL BRACKET
33	M147	GASKET TUBING SEAL
34	P112	MANIFOLD UNION
35	R5655	GAS VALVE VR8200C LP GAS
35	R2148	GAS VALVE VR8200C NATURAL GAS
36	UH810	TRANSFORMER MOUNTING BRACKET
37	R1995	TRANSFORMER
38	UH451	JUNCTION BOX COVER
39	DV974	OUTER CASING BOTTOM
40	R1515	BUSHING
41	R2708	PIEZO IGNITOR
42	R690	CORD SET
43	R896	BUSHING
44	DV671	MANIFOLD SUPPORT
45	DV765	GASKET FOR CHAMBER AIR INLET (TOP & BOTTOM) (2 REQUIRED)
46	DV764	GASKET FOR CHAMBER AIR INLET (SIDES) (TWO REQUIRED)
47	R1404	BUSHING
48	DV684	INNER LINING ASSEMBLY
49	DV629	CASING BACK
50	11759	SIDE PANEL
N/S	R9832	WIRE ASSEMBLY UPPER
N/S	R9833	WIRE ASSEMBLY LOWER
N/S	R734	LIGHTER ROD
N/S	742265	PILOT ORIFICE LP
N/S	R3469	PILOT ORIFICE NATURAL

N/S - Not Shown



Model No. FAW-55 may be vented as shown. The vent cap must be at least 12 feet (3.7m) above the floor. Clearance to combustible construction is held by the fixed spacers at 1 inch (25mm) with B-1 vent pipe. Installation must conform to local codes.

- 4" (102mm) Round** (all parts purchase locally except in item 2)
1. Type B-1 round pipe
 2. Part No. DV-648, 4" (102mm) oval-to-round flue adapter kit (see accessories)
 3. Single story type B-1 gas vents require a baseplate and one pair of ceiling plate spacers.
 4. Multi-story type B-1 gas vents require a baseplate, one pair of ceiling plate spacers at the first floor ceiling and one pair of fire stop spacers at each successive ceiling level.

- 4" (102mm) Oval** (all parts purchase locally)
1. Type B-1 oval pipe
 2. Single story type B01 gas vents require a baseplate and one pair of ceiling plate spacers.
 3. Multi-story type B-1 gas vents require a baseplate, one pair of ceiling plate spacers at the first floor ceiling and one pair of fire stop spacers at each successive ceiling level.

- 4" (102mm) Oval In-The-Wall** (wall parts purchase locally)
1. Type B-1 oval pipe
 2. Type B01 oval elbows
 3. Single story type B-1 gas vents require a baseplate and one pair of ceiling plate spacers.
 4. Multi-story type B-1 gas vents require a baseplate, one pair of ceiling plate spacers at the first floor ceiling and one pair of fire stop spacers at each successive ceiling level.

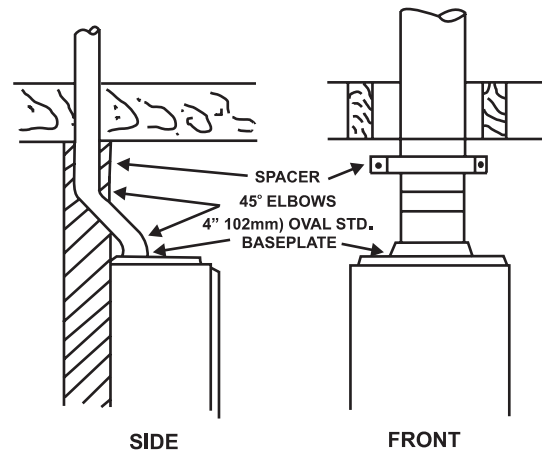
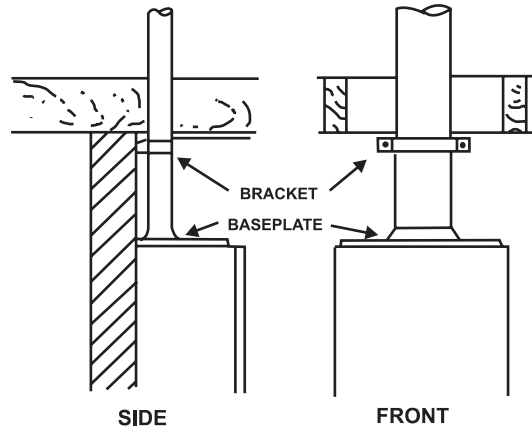
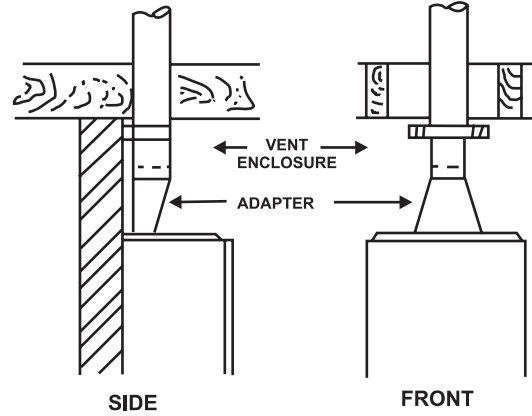
Stud space around gas vents must be free of obstructions and building paper.

Accessories

Part No.	Description
SOR-1	Register, side outlet, fixed register
SOK-1	Side outlet, 10" (254mm) maximum extension, fixed register
ROK-1	Rear Outlet, 10" (254mm) maximum extension, adjustable register
DV-651	Vent enclosure, 14" (356mm) [for rooms up to 96 1/2" (245cm) in height]
DV-655	Vent enclosure, 24" (610mm) [for rooms up to 106 1/2" (270.5cm) in height]
DV-666	Vent enclosure, 36" (914mm) [for rooms up to 118 1/2" (301cm) in height]
DV-648	4" (102mm) Oval-to-Round flue adapter kit

Use U.L. listed gas vent equipment when installing the FAW-55. For vent pipe running through walls, roof, and within one (1) inch (25mm) of combustible construction, use B01 [one inch (25mm) clearance to combustibles] vent pipe. Type B-2 x 4 or Type B-2 x 6 are to be used in conjunction with a Listed fire stop spacer.

Type BW gas vent pipe is available for single story or multi-story installations, Type BW gas vent pipe is to be used with the Listed base plate, ceiling plate spacers and fire stop spacers.



MASTER PARTS DISTRIBUTOR LIST

To Order Parts Under Warranty, please contact your local Empire dealer. See the dealer locator at www.empirecomfort.com. To provide warranty service, your dealer will need your name and address, purchase date and serial number, and the nature of the problem with the unit.

To Order Parts After the Warranty Period, please contact your dealer or one of the Master Parts Distributors listed below. This list changes from time to time. For the current list, please click on the Master Parts button at www.empirecomfort.com. Please note: Master Parts Distributors are independent businesses that stock the most commonly ordered Original Equipment repair parts for Heaters, Grills, and Fireplaces manufactured by Empire Comfort Systems Inc.

Dey Distributing

1401 Willow Lake Boulevard
Vadnais Heights, MN 55101

Phone: 651-490-9191

Toll Free: 800-397-1339

Website: www.deyistributing.com

Parts: Heater, Hearth and Grills

Victor Division of F. W. Webb Company

200 Locust Street
Hartford, CT 06114

Phone: 860-722-2433

Toll Free: 800-243-9360

Fax: 860-293-0479

Toll Free Fax: 800-274-2004

Websites: www.fwwebb.com & www.victormfg.com

Parts: Heater, Hearth and Grills

East Coast Energy Products

10 East Route 36
West Long Branch, NJ 07764

Phone: 732-870-8809

Toll Free: 800-755-8809

Fax: 732-870-8811

Website: www.eastcoastenergy.com

Parts: Heater, Hearth and Grills

Able Distributors

2501 North Central Avenue
Chicago, IL 60639

Phone: 773-889-5555

Toll Free: 800-880-2253

Fax: 773-466-1118

Website: www.abledistributors.com

Parts: Heater

HOW TO ORDER REPAIR PARTS

Parts Not Under Warranty

Parts can be ordered through your Service Person, Dealer, or a Master Parts Distributor. See this page for the Master Parts Distributors list. For best results, the **service person or dealer** should order parts through the distributor. Parts can be shipped directly to the **service person/dealer**.

Warranty Parts

Warranty parts will need a proof of purchase and can be ordered by your Service Person or Dealer. Proof of purchase is **required** for warranty parts.

All parts listed in the Parts List have a Part Number. When ordering parts, first obtain the Model Number and Serial Number from the name plate on your equipment. Then determine the Part Number (**not** the Index Number) and the Description of each part from the following illustration and part list. Be sure to give all this information . . .

Appliance Model Number _____ Part Description _____

Appliance Serial Number _____ Part Number _____

Type of Gas (Propane or Natural) _____

Do not order bolts, screws, washers or nuts. They are standard hardware items and can be purchased at any local hardware store.

Shipments contingent upon strikes, fires and all causes beyond our control.

APPLIANCE SERVICE HISTORY

Date	Dealer Name	Service Technician Name	Service Performed/Notes

WARRANTY

Empire Comfort Systems Inc. warrants this space heating product to be free from defects at the time of purchase and for the periods specified below. Space heating products must be installed by a qualified technician and must be maintained and operated safely, in accordance with the instructions in the owner's manual. This warranty applies to the original purchaser only and is not transferable. All warranty repairs must be accomplished by a qualified gas appliance technician.

Limited Ten-Year Parts Warranty – Combustion Chamber

Empire promises to the owner that if the combustion chamber (see parts list) fails because of defective workmanship or material within ten years from the date of purchase, Empire will repair or replace at Empire's option.

Limited One-Year Parts Warranty – Remote Controls, Thermostats, Accessories, and Parts

Should any remote control, thermostat, accessory, or other part fail because of defective workmanship within one year from the date of purchase, Empire will repair or replace at Empire's option.

Duties Of The Owner

The appliance must be installed by a qualified installer and operated in accordance with the instructions furnished with the appliance.

A bill of sale, cancelled check, or payment record should be kept to verify purchase date and establish warranty period.
Ready access to the appliance for service.

What Is Not Covered

Damages that might result from the use, misuse, or improper installation of this appliance.
Travel, diagnostic costs and freight charges on warranted parts to and from the factory.
Claims that do not involve defective workmanship or materials.
Unauthorized service or parts replacements.
Removal and reinstallation cost.
Inoperable due to improper or lack of maintenance.

How To Get Service

To make a claim under this warranty, please have your receipt available and contact your installing dealer. Provide the dealer with the model number, serial number, type of gas, and purchase verification. The installing dealer is responsible for providing service and will contact the factory to initiate any warranted parts replacements. Empire will make replacement parts available at the factory. Shipping expenses are not covered.

If, after contacting your Empire dealer, service received has not been satisfactory, contact: Consumer Relations Department, Empire Comfort Systems Inc., PO Box 529, Belleville, Illinois 62222, or send an e-mail to info@empirecomfort.com with "Consumer Relations" in the subject line.

Your Rights Under State Law

This warranty gives your specific legal rights, and you may also have other rights, which vary from state to state.



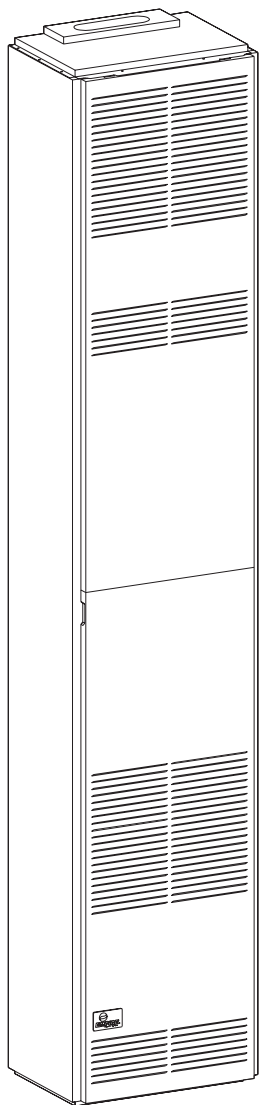
Empire Comfort Systems Inc.
918 Freeburg Ave. Belleville, IL 62220

If you have a general question about our products, please e-mail us
at info@empirecomfort.com.

If you have a service or repair question, please contact your dealer.

www.empirecomfort.com

INSTRUCTIONS POUR L'INSTALLATION ET MANUEL DU PROPRIÉTAIRE



Installateur: Laissez cette notice avec l'appareil.
Consommateur: Conservez cette notice pour consultation ultérieure.

AVERTISSEMENT: Si l'installation, l'usage et l'entretien de ce produit ne sont pas faits selon les instructions du fabricant, ce produit peut vous exposer à des matières contenues dans le carburant ou provenant de la combustion du carburant lesquelles peuvent causer la mort ou de sérieuses maladies.

RADIATEUR MURAL À CIRCULATION FORCÉE ET AVEC ÉVACUATION

MODÈLE
FAW-55SPP



AVERTISSEMENT: Assurez vous de bien suivre les instructions données dans cette notice pour réduire au minimum le risque d'incendie ou d'explosion ou pour éviter tout dommage matériel, toute blessure ou la mort.

- Ne pas entreposer ni utiliser d'essence ni d'autres vapeurs ou liquides inflammables dans le voisinage de cet appareil ou de tout autre appareil.
- **QUE FAIRE SI VOUS SENTEZ UNE ODEUR DE GAZ:**
 - Ne pas tenter d'allumer d'appareil.
 - Ne touchez à aucun interrupteur. Ne pas vous servir des téléphones se trouvant dans le bâtiment où vous vous trouvez.
 - Appelez immédiatement votre fournisseur de gaz depuis un voisin. Suivez les instructions du fournisseur.
 - Si vous ne pouvez rejoindre le fournisseur de gaz, appelez le service des incendies.
- L'installation et l'entretien doivent être assurés par un installateur ou un service d'entretien qualifié ou par le fournisseur de gaz.

Introduction

Toujours consulter le département de construction de votre région en ce qui regarde les règlements, les codes ou les ordonnances qui s'appliquent à l'installation d'un radiateur mural avec évacuation.

Instructions pour l'installateur

1. Après l'installation, l'installateur doit laisser le manuel d'instructions au propriétaire.
2. L'installateur doit demander au propriétaire de compléter et poster la carte de garantie de l'unité de chauffage.
3. L'installateur doit expliquer au propriétaire la mise en marche et le fonctionnement du radiateur et du thermostat.

Avertissement: Tout changement fait à ce radiateur ou à ces commandes peut être dangereux. Ceci est un appareil de chauffage et si un panneau, une porte ou un dispositif protecteur est enlevé pour l'entretien de cet appareil, il doit être replacé avant de remettre en marche.

Informations Générales

Ce radiateur est un modèle conformément certifié avec l'American National Standard / CSA Standard Z21.86 et CSA 2.32 par Canadian Standards Association comme étant un radiateur mural à circulation forcée et avec évacuation, devant être installé en accordance avec ces instructions.

Tout changement du modèle d'origine, installé autrement que décrit dans ces instructions ou fonctionnant avec un genre de gaz qui n'est pas indiqué sur la plaque d'identification, est la responsabilité de la personne et de la compagnie faisant ce changement.

Important

Toute la correspondance doit mentionner le numéro complet du modèle et de la série et le genre de gaz.

Avis: Pendant le premier allumage de cette unité, la peinture cuira et de la fumée se produira. Pour prévenir les détecteurs de fumée de se

déclencher, bien ventiler l'appartement dans lequel l'unité est installée.

Installation sur un Tapis ou Tuile

Si cet appareil est installé directement sur un tapis, tuiles ou tout genre de matériel combustible autre qu'un plancher de bois, cet appareil doit être installé sur un panneau de métal ou de bois, celui-ci ayant la largeur et la profondeur de l'appareil.

La base que nous décrivons ci-dessus ne signifie pas le genre de base contre le feu comme il est utilisé pour les poêles à bois. La protection est pour les tapis extrêmement épais et les tuiles de couleur qui pourraient se décolorer.

Installation dans les Garages Résidentiels

Tous les équipements dans les garages résidentiels employant du gaz, doivent être installés de façon à ce que les brûleurs et les appareils pour allumer les brûleurs doivent être situés à au moins 18" (457mm) au-dessus du plancher.

Tous ces équipements doivent être situés ou protégés de façon à ce qu'un véhicule en se déplaçant ne puisse les endommager.

Spécifications

Modèle	FAW-55SPP
Puissance BTU/H (KW/H)	55,000 (16.1)
Hauteur	82 3/8" (209.2cm)
Largeur	16" (406mm)
Profondeur	11 1/2" (292mm)
Arrivée de gaz(tuyau)	1/2" (13mm)
Collet de l'évent	Oval de type B, 4" (102mm)
CFM	400
Accessoires	Voir Page 13

CECI EST UN APPAREIL DE CHAUFFAGE

NE PAS FAIRE FONCTIONNER CET APPAREIL SANS QUE LE PANNEAU DU DEVANT SOIT INSTALLÉ.

- A cause des hautes températures, cet appareil doit être situé dans un endroit non achalandé et loin des meubles et des rideaux.
- Les enfants et les adultes doivent être avisés des dangers des parois très chaudes et doivent rester loin pour éviter les brûlures ou l'allumage des vêtements.
- Les petits enfants doivent être surveillés étroitement lorsqu'ils sont dans le même appartement que l'appareil.
- Les vêtements ou d'autres matériaux inflammables ne doivent pas être placés sur ou près de l'appareil.
- Tout écran de sûreté qui est enlevé lors de la réparation d'un appareil, doit être replacé avant de remettre en marche cet appareil.
- Garder propre le brûleur et le compartiment de contrôle.
- L'installation et la réparation doivent être faites par une personne qualifiée. L'appareil doit être inspecté avant l'usage et au moins une fois par année, par une personne qualifiée. S'il y a un excès de poussière venant du tapis, de la literie, etc..., de fréquents nettoyages seront requis. Il est impératif que les compartiments de commandes, les brûleurs et les passages de circulation d'air de l'appareil soient gardés propres.
- Ne rien mettre autour du radiateur qui pourrait obstruer le débit de combustion et la ventilation d'air.
- Les matériaux combustibles, la gazoline ou les vapeurs et liquides inflammables ne doivent jamais être dans le même endroit que le radiateur.
- Examiner périodiquement le système de ventilation et remplacer les pièces défectueuses.
- Faire périodiquement une inspection visuelle de la veilleuse et des brûleurs. Nettoyer et remplacer les pièces défectueuses.
- **AVERTISSEMENT:** Le couvercle pour l'accès à la veilleuse doit toujours être gardé hermétiquement fermé lors du fonctionnement.
- Ne pas utiliser ce radiateur s'il y a une pièce qui a été en contact avec l'eau. Appeler immédiatement un technicien qualifié pour inspecter le radiateur et remplacer toute pièce du système de commande et les commandes de gaz qui ont été en contact avec l'eau.
- Ce radiateur ne doit pas être branché à une cheminée servant à un autre appareil brûlant un combustible solide.

INFORMATION DE SÉCURITÉ POUR LES UTILISATEURS DE PROPANE

Le propane est un gaz inflammable qui peut causer des feux et des explosions. Dans son état naturel, le propane est inodore et sans couleur. Peut-être que vous ne connaissez pas toutes les précautions décrites ci-dessous? Elles peuvent vous protéger ainsi que votre famille contre un accident. Lisez-les attentivement dès maintenant, puis réexaminez les, point par point avec les membres de votre famille. Un jour, lorsqu'il

n'y aura pas une minute à perdre, la sécurité de chacun dépendra de votre savoir-faire. Si après avoir lu les informations suivantes, vous pensez avoir besoin de plus amples informations, s'il vous plaît contactez votre fournisseur de gaz.

AVERTISSEMENT À PROPOS DE L'ODEUR DU PROPANE

Si une fuite de gaz survient, vous devriez sentir le gaz parce qu'il y a une odeur incorporée au propane.

C'est le signal que vous devez agir immédiatement.

- N'utiliser pas les interrupteurs électriques, n'allumer pas des allumettes ou n'utiliser pas le téléphone. Ne rien faire qui pourrait enflammer le gaz.
- Evacuer tout le monde du bâtiment, des véhicules et des lieux. Faire ceci immédiatement.
- Fermer toutes les soupapes d'approvisionnement des réservoirs et des bouteilles de gaz.
- Le propane est plus pesant que l'air et peut s'accumuler dans des endroits bas comme les soubassements. Lorsque vous avez des raisons de suspecter une fuite de gaz, n'allez pas dans les soubassements ou les endroits bas. Attendez que les pompiers vous assurent de la sûreté de ces endroits avant d'y aller.
- Utiliser le téléphone de votre voisin et appeler les pompiers et une personne entraînée avec le propane.
- Ne pas ouvrir les soupapes d'approvisionnement de gaz même si vous ne le sentez plus. Ne retourner pas dans le bâtiment, sur les véhicules ou sur les lieux.
- Finalement, laisser la personne qualifiée et les pompiers vérifier les fuites de gaz. Laisser-les aérer les lieux avant d'y retourner. Les personnes entraînées avec le propane devront réparer la fuite, vérifier et rallumer l'appareil au gaz, pour vous.

AUCUNE ODEUR DÉCELÉE - FAIBLE ODEUR

Il y a des personnes qui ne peuvent pas sentir très bien. Il y a des personnes qui ne peuvent pas sentir l'odeur chimique mis dans le gaz. Vous devez vérifier si vous pouvez sentir cette odeur. Fumer peut décroître votre capacité de sentir. Sentir une odeur pour un certain temps, peut affecter votre sensibilité ou votre capacité de déceler cette odeur. Quelquefois d'autres odeurs, dans le même endroit, peuvent masquer l'odeur du gaz. Il y a des personnes qui ne peuvent pas sentir l'odeur du gaz ou que leur attention est sur quelque chose d'autre. Penser à sentir l'odeur du gaz peut faciliter la capacité de sentir.

L'odeur dans le propane est sans couleur et peut s'affaiblir selon certaines circonstances. Par exemple, s'il y a une fuite souterraine, le mouvement du gaz à travers le sol peut filtrer l'odeur. Aussi, l'odeur dans le propane peut être exposée à l'oxydation. Cet affaiblissement

peut survenir s'il y a de la rouille à l'intérieur des réservoirs ou dans les tuyaux de fer pour le gaz.

L'odeur de la fuite de gaz peut être adsorbée ou absorbée sur ou dans les murs, maçonnerie et d'autres matériaux et tissus dans une chambre. Ceci enlèvera une quantité de l'odeur du gaz, affaiblissant l'intensité de la senteur.

Le propane peut stratifier dans un endroit fermé et l'intensité de l'odeur peut varier à différents niveaux. Puisque le propane est plus pesant que l'air, l'odeur peut être plus prononcée à un bas niveau. Toujours être sensible à la moindre odeur de gaz. Si vous décelez une odeur, réagissez comme si vous aviez une sérieuse fuite. Passez à l'action immédiatement en suivant les informations précédentes.

QUELQUES POINTS À RETENIR

- Apprendre à reconnaître l'odeur du propane. Votre distributeur de propane peut vous donner un échantillon que vous grattez et sentez. Utilisez-le pour savoir reconnaître l'odeur du propane. Si vous pensez que votre gaz propane a une faible ou anormale odeur, appelez votre distributeur.
- Si vous n'êtes pas qualifié, n'allumer pas la veilleuse, n'effectuer pas l'entretien ou n'ajuster pas les appareils fonctionnant au propane. Si vous êtes qualifié, soyez conscient de l'odeur du propane avant et pendant que vous allumez la veilleuse, effectuez l'entretien ou faites les ajustements.
- Quelquefois un soubassement ou une maison fermée a une senteur de moisi qui peut dissimuler l'odeur de propane. N'essayez pas d'allumer des veilleuses, d'effectuer l'entretien ou de faire des ajustements dans des endroits où les conditions sont de telle sorte que vous ne pouvez pas déceler l'odeur du propane en cas de fuite.
- L'affaiblissement d'odeur, attribuable à l'oxydation par la rouille ou l'adsorption sur les parois des nouveaux réservoirs et bouteilles, est possible. Par conséquent, les personnes doivent être particulièrement prudentes lorsque de nouveaux réservoirs ou bouteilles sont mis en service. L'affaiblissement d'odeur peut se produire dans les nouveaux réservoirs ou dans les vieux réservoirs qui sont réinstallés, s'ils sont remplis et inutilisés pour une longue période de temps. La formation de rouille à l'intérieur des bouteilles et des réservoirs qui ne sont pas utilisés pour une longue période de temps, peut provoquer un affaiblissement de l'odeur. Si vous pensez que de telles conditions existent, un test de senteur de gaz est recommandé périodiquement. Si vous avez des questions à propos de l'odeur du gaz, appelez votre distributeur de propane. En toute circonstance, un test de senteur périodique du gaz propane est une mesure de prudence.
- Si en aucun temps vous ne sentez pas l'odeur du propane et que vous devriez, assumez que vous avez une fuite. Agissez immédiatement selon les recommandations ci-dessus, décrivant les actions à suivre en cas de déclenchement de gaz propane.
- Si vous découvrez que le réservoir est complètement vide de gaz (le réservoir n'a aucune pression de vapeur), fermez la soupape du réservoir immédiatement. Si la soupape du réservoir reste ouverte, le réservoir peut aspirer de l'air par les ouvertures, par exemple les orifices de la veilleuse. Si ceci survient, l'intérieur peut subir une additionnelle formation de rouille. Si la soupape est restée ouverte, considérez le contenant comme étant un nouveau réservoir. Soyez toujours certain que le réservoir est sous pression de vapeur; fermez la soupape du réservoir avant qu'il ne soit complètement vide et faites le remplir.

Air de Ventilation et de Combustion

Les radiateurs muraux doivent être installés dans un endroit où la facilité de la ventilation permet une combustion de gaz satisfaisante et un échappement convenable sous des conditions normales. Dans les bâtiments de construction conventionnelle, de brique ou de pierre sans fenêtre et porte étanche, l'infiltration est normalement adéquate pour fournir l'air pour la combustion et la dilution du coupe-tirage.

Lorsque les appareils sont installés dans des endroits confinés et ouverts d'un bâtiment lequel est exceptionnellement étanche, l'air de combustion et de ventilation doit être obtenu directement de l'extérieur ou d'un espace qui communique librement avec l'extérieur. Sous ces conditions, les endroits confinés et ouverts doivent être pourvus de deux ouvertures permanentes, une près du dessus de l'enceinte et une près du dessous; chaque ouverture doit avoir un espace libre pas moindre que 6.45cm² par 2,000 Btuh (.6KW/H) d'entrée totale.

Agence d'Installation Qualifiée

L'installation et le remplacement des tuyaux à gaz, des équipements ou accessoires, la réparation et l'entretien de l'équipement doivent être faits seulement par une agence qualifiée. Le terme "agence qualifiée" signifie tout individu, firme, corporation ou compagnie qui est, en personne ou par un représentant, engagé et responsable de: (a) l'installation ou le remplacement des tuyaux à gaz, ou (b) la connexion, l'installation, la réparation ou l'entretien de l'équipement, qui possède l'expérience nécessaire en ce genre de travail, est familier avec les précautions requises et s'est conformé à toutes les exigences de l'autorité ayant juridiction.

L'installation doit être conforme aux codes locaux. Dans l'absence de codes locaux, l'installation doit se conformer avec National Fuel Gas Code ANSI Z223.1/NFPA 54* Natural Gas and Propane Installation Code, CSA B149.1.

* Disponible chez American National Standards Institute, Inc., 11 West 42nd St., New York, N.Y. 10036.

Espaces Libres

1. En choisissant un emplacement, il est nécessaire de fournir l'espace libre adéquat pour l'accès à l'installation et à l'entretien.
2. Le FAW-55 peut être attaché au mur ou encastré dans le mur jusqu'à 4" (102mm) de profondeur.
3. L'espace libre entre les côtés et le dessus du radiateur au mur dans lequel le radiateur est encastré est de 0" (zéro mm).
4. Lorsque vous utilisez les registres se dégageant sur les côtés, SOR-1 ou SOK-1, le radiateur ne peut pas être encastré dans le mur.
5. L'espace libre aux murs de côté ou aux matériaux combustibles est de 4" (102mm).
6. L'espace libre au plafond est de 7 1/2" (191mm).
7. L'espace libre au plancher et au mur arrière est de 0" (zéro mm).
8. Lorsque le registre avec sortie sur le côté est utilisé, SOR-1, l'espace libre requis entre le radiateur et les murs de côté ou les matériaux combustibles est de 18" (457mm).

Avant l'Installation, Prendre en Considération les Événements Suivants

1. Une cheminée pour un genre résidentiel ou pour une installation utilisant un gaz à basse température doit s'allonger d'au moins 3' (914mm) au-dessus du point le plus haut où elle passe à travers le toit du bâtiment et d'au moins 2' (610mm) au-dessus de n'importe quelle section du bâtiment dans une distance horizontale de 10' (3m).
2. Ce radiateur ne doit pas être branché à une cheminée servant à un autre appareil brûlant un combustible solide.
3. Les tuyaux de métal à simple paroi non-isolée ne doivent pas être utilisés dans les endroits à climat froid pour une installation utilisant un gaz d'échappement.
4. Attention! Ce radiateur mural à circulation forcée est muni d'un interrupteur de sûreté de l'événement. Dans le cas d'un écoulement des produits d'échappement dû à un mal fonctionnement de l'événement, l'interrupteur de sûreté de l'événement s'ouvre et ceci aura pour résultat de "fermer" les brûleurs principaux.

Référez à la figure 1 et la page 13 pour des informations additionnelles regardant les installations d'événements au gaz admises U.L.

Installation des Sorties Optionnelles Sur les Côtés

Le registre avec sortie sur le côté, SOR-1, peut être installé sur un ou les deux côtés du radiateur pourvu que les espaces libres de 18" (457mm) du mur ou d'un matériel combustible, comme le montre la Figure 2, soient obtenus.

1. Situer et couper l'ouverture carrée de 5 1/2" (140mm) sur le côté du radiateur en employant le guide dans la trousse d'outils. Ceci exposera l'entrée défonçable du recouvrement intérieur.
2. Enlever l'entrée défonçable.
3. Placer le registre dans l'ouverture de 5 1/2" (140mm) en mettant les volets dans la direction désirée et marquer les trous de montage en employant le registre comme guide.
4. Percer (2) trous de 1/8" (3mm) de diamètre sur le côté du radiateur et attacher le registre avec (2) vis #10 x 1" (25mm). Les vis sont fournies.

L'ensemble de sortie sur le côté, l'assemblage de la hotte de 10" (254mm) avec registre, SOK-1 pour dégager de l'air chaud dans une chambre avoisinante, peut être installé sur n'importe quel côté du radiateur pourvu que l'espace libre de 4" (102mm), comme le montre la Figure 3A, soit obtenu.

1. Situer et couper l'ouverture carrée de 5 1/2" (140mm) sur le côté du radiateur en employant le guide. Ceci exposera l'entrée défonçable du recouvrement intérieur.
2. Enlever l'entrée défonçable.
3. En utilisant les hottes intérieures et extérieures comme guide pour les trous, marquer et percer (8) trous de 1/8" (3mm) de diamètre dans le recouvrement intérieur et le côté du radiateur.
4. En utilisant la Figure 3A, situer et couper une ouverture carrée de 6 3/4" (171mm) à travers les murs.
5. Fixer le radiateur au mur (voir Fixation du radiateur au mur).
6. Avec le radiateur en place, après avoir vérifié l'alignement de l'ouverture de sortie sur le côté dans le mur et le radiateur, placer la plaque murale de sortie de côté de 9 3/8" x 9 3/8" (238mm x 238mm) par dessus la hotte extérieure. Passer la hotte extérieure à travers le mur et attacher la plaque murale de sortie de côté au mur du côté du radiateur avec (2) vis #10 x 1" (25mm). Les vis sont fournies.
7. Attacher la hotte extérieure au côté du radiateur avec (4) vis #8 x 1/4" (6mm). Les vis sont fournies.
8. Positionner et attacher la hotte intérieure au recouvrement intérieur avec (4) vis #8 x 1/4" (6mm). Les vis sont fournies.
9. Placer le registre avec ses volets dans la position désirée pour la sortie d'air et marquer les trous de montage en utilisant le registre comme guide.
10. Percer (2) trous de 1/8" (3mm) de diamètre dans le mur et attacher le registre avec (2) vis #10 x 1" (25mm). Les vis sont fournies.

Installation d'une Sortie Arrière Optionnelle

L'assemblage de sortie arrière, l'assemblage de la hotte de 10" (254mm) avec registre, ROK-1 pour l'évacuation d'air chaud dans une pièce voisine.

Attention! Avant de fixer le radiateur au mur, vous devez couper l'ouverture dans le mur pour la sortie arrière, en plus d'enlever les entrées défonçables de la paroi extérieure et intérieure du radiateur.

1. Les mesures pour l'ouverture dans le mur de la sortie arrière sont les suivantes.
 - A. Du plancher au bas de l'ouverture dans le mur, la distance est 14 3/4" (375mm).
 - B. Du bas de l'ouverture dans le mur au haut de l'ouverture dans le mur, la distance est 8 1/2" (216mm).
 - C. La largeur de l'ouverture dans le mur est 12 1/8" (308mm).
2. Enlever l'entrée défonçable de la paroi extérieure arrière.
3. Enlever l'entrée défonçable de la paroi intérieure.
4. Fixer le radiateur au mur (voir Fixation du Radiateur au Mur).
5. Aligner les trous libres de la hotte de 8" x 12" (203mm x 305mm) avec les trous de vis de la paroi extérieure arrière et marquer la hotte

pour qu'elle soit au niveau avec la surface murale. Enlever la hotte et couper à la longueur convenable.

6. Fixer la hotte de 8" x 12" (203mm x 305mm) à la paroi extérieure arrière avec (6) vis #10 x 1/2" (13mm). Les vis sont fournies.
7. Aligner les trous libres du conduit de 6" x 10" (152mm x 254mm) avec les trous de vis de la paroi intérieure et marquer le conduit pour qu'il soit 2 1/4" (57mm) plus petit que la hotte de 8" x 12" (203mm x 305mm). Enlever le conduit et couper à la longueur convenable.
8. Fixer le conduit de 6" x 10" (152mm x 254mm) à la paroi intérieure avec (6) vis #10 x 1/2" (13mm). Les vis sont fournies.
9. Insérer le registre arrière dans la hotte de 8" x 12" (203mm x 305mm). Fixer le registre arrière au mur avec (2) vis #10 x 1" (25mm). Les vis sont fournies.

Emplacement du Radiateur sur le Mur

Le radiateur doit être situé sur un mur. Le radiateur a une largeur de 16" (406mm) et étant donné que la distance normale entre les montants du mur est de 16" (406mm) le radiateur pourra être encastré seulement si un montant est changé de place.

Un guide est fourni dans l'emballage du radiateur pour vous aider à localiser la connexion pour la ligne de gaz. Aussi, référer à la Figure 2 pour positionner le radiateur sur le mur et pour localiser la connexion pour la ligne de gaz.

Emplacement de l'Alimentation de Gaz

La ligne de gaz peut entrer dans l'appareil soit en venant du plancher ou du mur extérieur. L'ouverture pour la ligne de gaz doit être faite à ce moment. L'emplacement de l'ouverture sera déterminé par la position des solives du plancher et par la valve et le raccord utilisé lors de l'entretien.

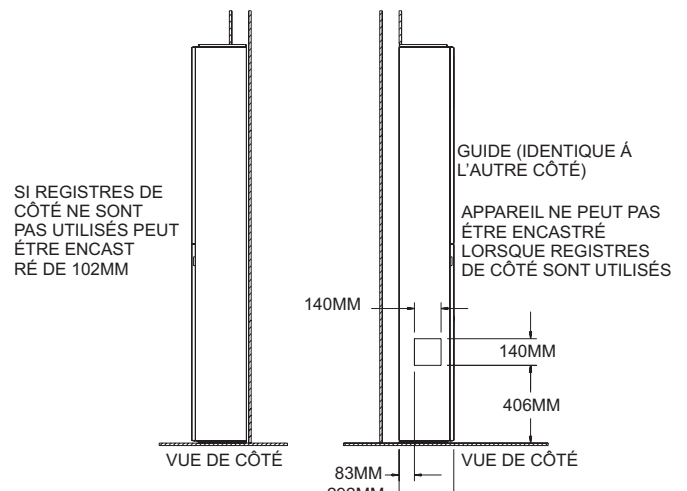
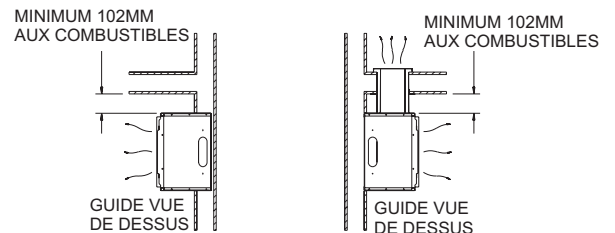
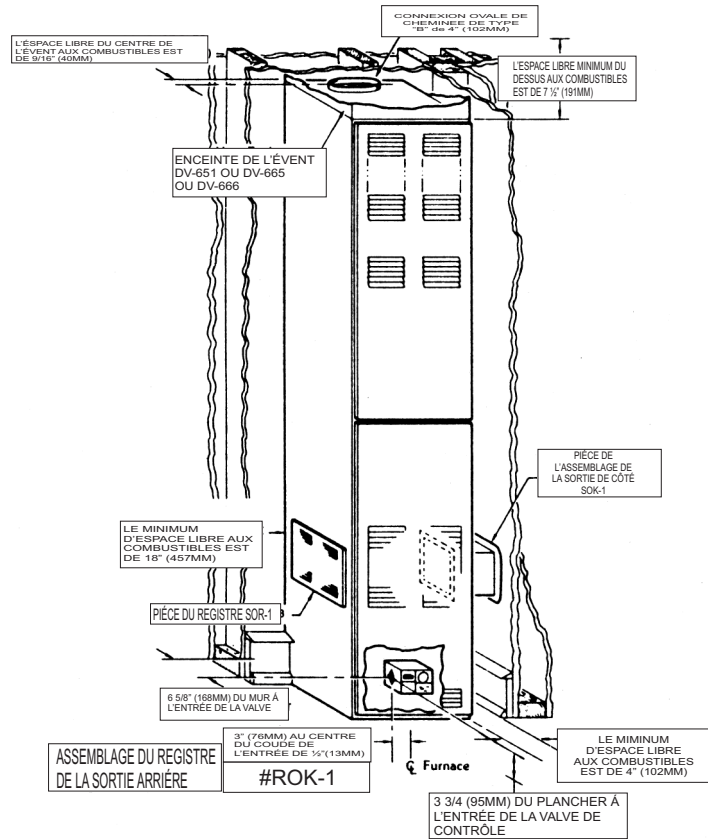


Figure 3 Figure 3A

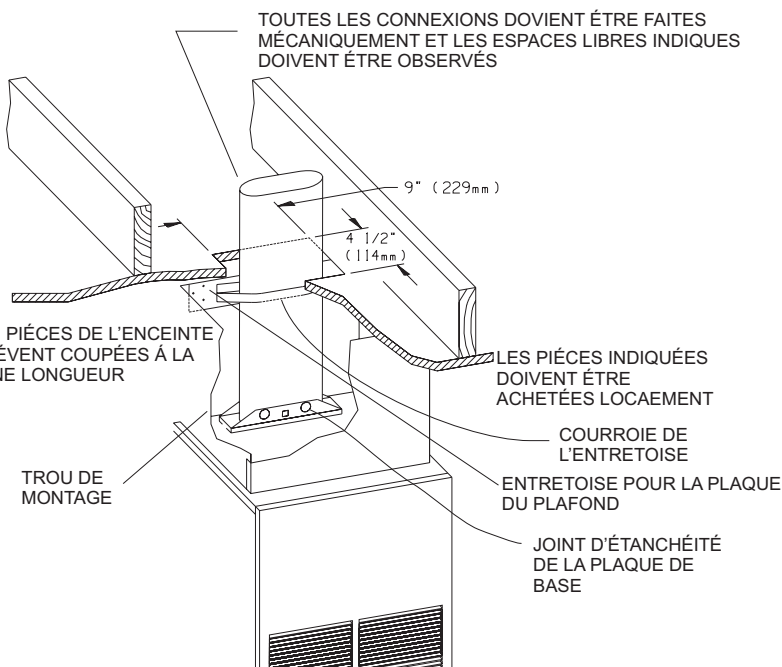


Figure 1

Emplacement de l'Alimentation Électrique

Sur le bas des panneaux des côtés gauche et droit, il y a une entrée défonçable de 7/8" (22mm) de diamètre. L'assemblage de la fiche à trois broches (prise de terre) est situé dans le compartiment des contrôles (au bas) du radiateur. S'il vous plaît, enlever l'entrée défonçable de 7/8" (22mm) du côté du panneau approprié lorsque vous acheminez l'assemblage de la fiche à une prise de courant.

Installation de l'Assemblage de la Fiche à Trois Broches (Prise de Terre)

1. Débrancher le bouchon de nylon de la fiche de 3' (914mm) de la fiche de nylon sur le harnais de fils électriques. Enlever l'assemblage de la fiche de 3' (914mm) du compartiment des contrôles (au bas) du radiateur.
2. Enlever l'entrée défonçable de 7/8" (22mm) du côté du panneau approprié.
3. Introduire le bouchon de nylon de l'assemblage de la fiche de 3' (914mm) dans l'ouverture de 7/8" (22mm) sur le côté du panneau.
4. Brancher le bouchon de nylon de l'assemblage de la fiche de 3' (914mm) à la fiche de nylon sur le harnais de fils électriques.
5. Placer le manchon d'allègement de tension de 7/8" (22mm) autour du cordon de l'assemblage de la fiche de 3' (914mm). Introduire le manchon d'allègement de tension de 7/8" (22mm) dans l'ouverture de 7/8" (22mm) sur le côté du panneau.

Attention! Le manchon d'allègement de tension de 7/8" (22mm) est dans la même enveloppe jaune que les instructions pour l'installation et le manuel du propriétaire.

Fixer le Radiateur au Mur

Lorsque vous fixez le radiateur au mur, enlever la plinthe et la moulure derrière le radiateur. Fixer le radiateur au mur par le haut de la paroi extérieure avec (2) boulons à ailettes et au plancher par le bas de la paroi extérieure avec (2) vis #10 x 1-1/2" (38mm). Les vis et les boulons sont fournis.

Attention! Les trous de vis sur le bas de la paroi extérieure sont décalés d'approximativement 3/8" (9.5mm) au dessus du plancher. Ne pas serrer trop fort les vis et déformer le bas de la paroi extérieure. Déformer le bas de la paroi extérieure vous empêchera de fixer le panneau du bas avant, au radiateur.

Alimentation en Gaz

Vérifier tous les codes locaux pour répondre aux exigences, spécialement pour la grandeur et le genre de ligne d'alimentation de gaz requis. Pour la ligne de gaz naturel moins de 15' (4.5m) de long, utiliser un tuyau de 1/2" (13mm); pour une ligne plus longue, utiliser un tuyau de fer de 3/4" (19mm) ou l'équivalent. Pour la ligne de gaz propane, s'il vous plaît consultez le fournisseur de gaz propane.

Installation d'un Nouveau Robinet Principal Pour le Gaz

Chaque appareil doit avoir son propre robinet manuel de gaz.

Un robinet manuel principal doit être situé près de l'appareil. S'il n'y en a pas ou si la grosseur ou l'emplacement est inadéquat, contacter votre installateur autorisé pour l'installation ou pour changer l'emplacement.

Les composantes employées sur les joints filetés des tuyaux doivent être résistantes à l'action des gaz de pétrole liquéfiés. La canalisation de gaz doit être vérifiée par l'installateur pour des possibilités de fuites. Ceci doit être fait sur toutes les connexions exposées avec une solution savonneuse. Surveiller pour la formation de bulles. Si les connexions ne sont pas exposées, un test de pression doit être fait.

Ne jamais employer une flamme pour vérifier les fuites. Lors d'un test de pression, le tuyau d'arrivée de la valve de commande doit être débranché de l'appareil et bouché. Ne jamais faire un test de pression lorsque l'appareil est branché; la valve de commande peut être endommagée!

Pour aider à l'entretien, une valve à gaz et un raccord horizontal doivent être installés sur la ligne de gaz en amont du contrôle de gaz. Le National Fuel Gas Code exige qu'une ligne d'égouttage soit installée près de l'entrée de gaz. Ceci doit consister en une longueur de tuyau vertical qui sera raccordé par un T sur la ligne de gaz et terminé au bas par un bouchon. La condensation et les particules étrangères s'y amasseront.

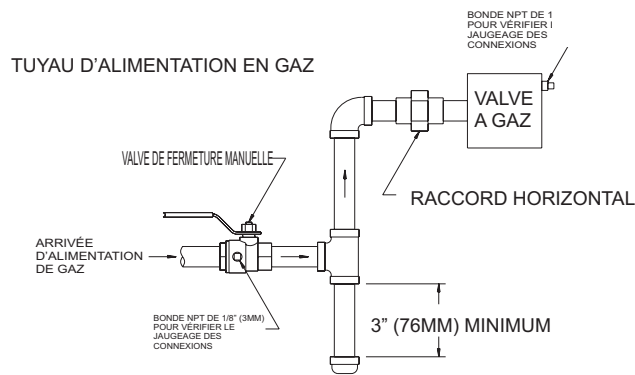


Figure 4

Méthode pour installer un collecteur de sédiment avec un adaptateur en T

L'emploi des connexions de gaz suivantes est recommandé:

- ANS Z21.24 Connexions d'appareil de tuyaux et de raccords en métal ondulé.
- ANS Z21.45 Connexions flexibles d'appareil autre qu'en métal.

Les connexions ci-dessus peuvent être utilisées si elles sont acceptées par les autorités ayant juridiction.

Test de Pression du Système d'Alimentation de Gaz

1. Pour vérifier la pression d'arrivée de la valve de gaz, une bonde N.P.T. de 1/8" (3mm), accessible pour vérifier le jaugeage des connexions, doit être située immédiatement en amont de la connexion d'alimentation de gaz de l'appareil.
2. Pendant un test de pression du système d'alimentation de gaz, l'appareil et sa valve de fermeture doivent être débranchés si une pression supérieure à 1/2 psig (3.5kPa) est employée.
3. Pendant un test de pression du système d'alimentation de gaz, si une pression égale ou inférieure à 1/2 psig (3.5kPa) est employée, l'appareil doit être isolé du système d'alimentation de gaz en fermant sa propre valve de fermeture manuelle.

Attention! Si une des procédures ci-dessus occasionne une pression supérieure à 1/2 psig (14" w.c.)(3.5kPa) sur la valve de gaz de l'appareil, une situation dangereuse s'en suivra.

Vérifier les Pressions de Gaz.

Un régulateur de pression est incorporé dans la valve de gaz propane et celle de gaz naturel. Les modèles pour le gaz naturel auront des pressions de gaz approximativement de 4.0" w.c. (.996kPa) à la sortie de la valve et une pression d'entrée à la valve d'un minimum de 5.0" w.c.(1.24kPa) pour permettre l'ajustement à l'entrée, allant à un maximum de 10.5" w.c. (2.615kPa). Les modèles pour le gaz propane auront des pressions de gaz approximativement de 10.0" w.c. (2.49kPa) à la sortie de la valve et une pression d'entrée à la valve d'un minimum de 11.0" w.c. (2.739kPa) pour permettre l'ajustement à l'entrée, allant à un maximum de 13.0" w.c.(3.237kPa).

Une bonde N.P.T. de 1/8" (3mm), accessible pour vérifier le jaugeage des connexions, est située sur le côté de la sortie de la commande de gaz.

Le régulateur incorporé se déclenche approximativement à 1/4 de la pression et s'ouvre au plus fort en 10 secondes.

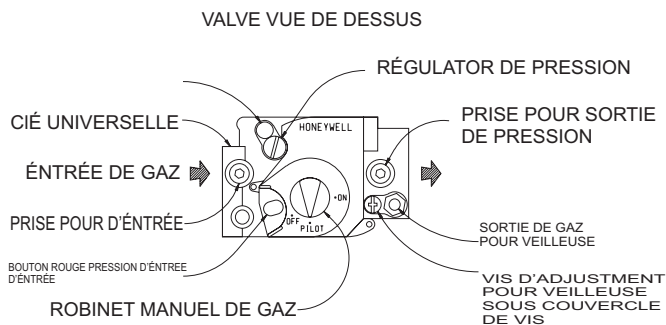


Figure 5

Hautes Altitudes

Pour des altitudes/élevations au dessus de 2,000' (610m), les puissances d'entrée devront être réduites de 4% pour chaque 1,000 (305m) au dessus du niveau de la mer. Hautes Altitudes au Canada pour les endroits ayant une élévation au dessus du niveau de la mer entre 2,000' (610m) et 4,500' (1370m), la pression doit être diminuée de 4.0" w.c.(.996kPa) à 3.2" w.c. (.797kPa) pour le gaz naturel et de 10.0" w.c. (2.49kPa) à 8.0" w.c.(1.992kPa) pour le gaz propane.

Instructions pour le Piezo-Allumeur de la Veilleuse

Baisser le bouton rouge complètement provoquera une étincelle qui surviendra à la veilleuse. Ceci est un substitut à une allumette. Celle-ci exigerait l'ouverture du couvercle pour l'accès à la veilleuse.

Pour allumer la veilleuse, il est important que l'électrode soit à 1/8" (3mm) du thermocouple. L'étincelle doit se produire à l'endroit où la flamme du brûleur frappe le thermocouple. Le bout de l'électrode sera chauffé au rouge lorsque la veilleuse est en fonction.

Sur une nouvelle installation ayant de l'air dans la ligne de gaz, il est suggéré d'utiliser une allumette. Dans cette condition, l'allumette allumera la veilleuse plus vite qu'avec le piezo-allumeur.

Aspect Convenable de la Flamme de la Veilleuse

La flamme de la veilleuse (Figure 6) sera bleue et s'allongera plus loin que le thermocouple. La flamme entourera le thermocouple juste en-dessous de la pointe.

Les veilleuses de gaz naturel exigent un ajustement lorsque la pression d'entrée de gaz est supérieure à 5.0" w.c. (1.245kPa). Enlever la vis du couvercle de la veilleuse sur la valve de contrôle (Figure 5) et tourner la vis d'ajustement dans le sens des aiguilles d'une montre pour réduire la flamme. Replacer la vis du couvercle de la veilleuse pour éliminer une fuite de gaz.

Le gaz propane n'exige aucun ajustement.

Après l'usage, un nettoyage peut être exigé pour obtenir une flamme convenable.

AJUSTEMENT CONVENABLE DE LA FLAMME

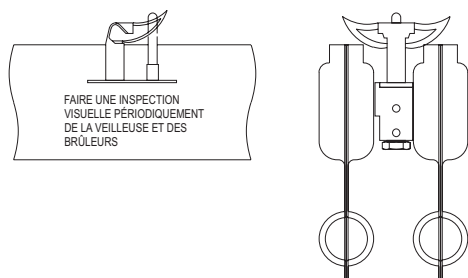


Figure 6

Aspect Convenable de la Flamme du Brûleur Principal

La flamme convenable aura une petite flamme bleue intérieure avec une flamme extérieure bleue pâle beaucoup plus grande. Le brûleur principal (Figure 7) représente la hauteur approximative pour chaque partie de la flamme pour chaque gaz. Il n'y a pas d'ajustement d'air primaire pour le brûleur. La flamme se corrigera si la pression pré-ajustée à l'usine et les ouvertures sont utilisées. Après que le radiateur ait fonctionné, il se peut que les ouvertures du brûleur soient bloquées par des matières étrangères venant de l'air de combustion. Donc un nettoyage du brûleur peut être exigé pour obtenir une flamme convenable.

Pour nettoyer les ouvertures du brûleur, débrancher l'alimentation de gaz à la valve et enlever les huit vis qui tiennent la porte du brûleur. Après avoir enlevé la porte du brûleur de la chambre de combustion, enlever le brûleur arrière, le brûleur de la veilleuse et le brûleur de devant. Avec les brûleurs de devant et arrière enlevés, faire entrer de l'eau avec force dans la bande d'ouvertures et sécher avec une pression d'air.

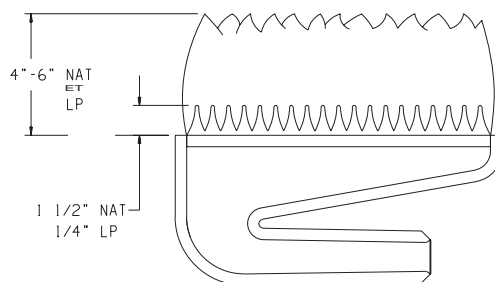


Figure 7

Remplacement du Ventilateur et Huilage du Moteur

Le moteur du ventilateur doit être nettoyé et huilé une fois chaque saison de chauffage. Pour atteindre le moteur, enlever le blindage métallique autour des ailettes du ventilateur en enlevant les vis de chaque côtés. Utiliser quelques gouttes d'huile à moteur #10. Pour nettoyer le moteur, souffler de l'air à travers les ouvertures de ventilation avec un aspirateur ou une source d'air à basse pression.

Si le moteur du ventilateur est remplacé, vous devez aussi remplacer les joints d'étanchéité en silicone caoutchouc, voir page 10, index no. 5, pièce no. 712059. Les joints d'étanchéité doivent être étirés pour s'adapter sur les boulons de moteur dans les espaces pour joint d'étanchéité. Le moteur et les joints d'étanchéité peuvent être installés sur les barres de montage du moteur.

Poses des Fils Électriques

Si vous utilisez une source électrique extérieure, l'appareil, lorsqu'il est installé, doit avoir une prise de terre conforme avec les codes locaux ou dans l'absence de codes locaux, avec le National Electrical Code, ANSI/NFPA70 ou Canadian Electrical Code, CSA C22.1. Pour votre protection contre les dangers de chocs, cet appareil est muni d'une fiche à trois broches (prise de terre) qui doit être branchée directement dans une prise de courant femelle qui a été convenablement mise à terre. Ne pas couper ou enlever la broche de mise à terre de cette fiche. Pour une prise de courant femelle qui n'a pas de mise à terre, un adaptateur qui a deux broches et un fil de mise à terre peut être acheté et branché dans la prise de courant femelle qui n'a pas de mise à terre et le fil doit être attaché à la vis du support de la prise de courant. Avec ce fil complétant la mise à terre, la fiche de l'appareil peut être branchée dans l'adaptateur. La boîte de jonction est munie d'un trou de 7/8" (22mm) pour utiliser un raccord conducteur, si les codes locaux exigent ce genre de protection.

Installation du Thermostat

Le thermostat doit être installé dans la même pièce que le radiateur. Il doit être de 4' (1.2m) à 5' (1.5m) au dessus du plancher et loin d'autres sources de chaleur (cuisinière, chauffe-eau, etc.) incluant les murs ou encadrements de porte ayant une source de chaleur dans la pièce avoisinante. Ne pas installer le thermostat sur un mur extérieur.

L'enceinte de l'Évent Isolée.

Les radiateurs muraux avec un évent, installés dans des bâtiments ayant un toit plat, peuvent avoir une évacuation inadéquate. Lorsque le tuyau d'évent est froid, un délai de l'évacuation convenable se fera et entraînera l'interrupteur de sûreté de l'évent de "fermer" le radiateur mural. Pour prévenir le délai de l'évacuation aussi bien que la condensation dans les conduits d'évacuation, nous recommandons d'isoler l'enceinte d'évent.

Utiliser les tuyaux d'évent de type B et garder un espace libre d'au moins 1" (25mm) aux combustibles.

Utiliser une bague en métal pour protéger les tuyaux d'évent lorsqu'ils passent à travers les combustibles.

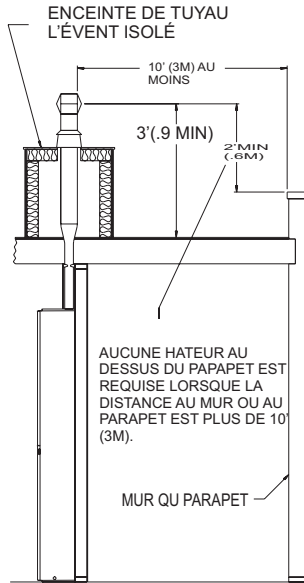


Figure 8

Le Système de Fermeture de Sûreté de l'Évent.

Cet appareil doit être branché correctement à un système d'évacuation. Cet appareil est muni d'un système de fermeture de sûreté de l'évent.

Avertissement: Le fonctionnement de ce radiateur mural lorsqu'il n'est pas branché à un système d'évacuation lequel doit être installé et entretenu correctement ou lorsque vous tripotez avec le système de fermeture de sûreté de l'évent, peut causer un empoisonnement au monoxyde de carbone (CO) et possiblement la mort.

Ce radiateur est muni d'un interrupteur de sûreté de l'évent avec une remise à zéro manuelle. Lors d'une évacuation inadéquate ou d'une obstruction de la cheminée, l'interrupteur de sûreté de l'évent avec une remise à zéro manuelle provoquera une fermeture du débit de gaz aux brûleurs principaux.

Pour remettre à zéro l'interrupteur de sûreté de l'évent avec une remise à zéro manuelle.

1. Enlever le panneau de devant en haut.
2. Abaisser le bouton rouge de remise à zéro manuelle. L'interrupteur de sûreté de l'évent avec une remise à zéro manuelle est situé sur le coupe-tirage.
3. Replacer le panneau de devant en haut.

Si l'interrupteur de sûreté de l'évent avec remise à zéro manuelle continu d'arrêter le débit de gaz aux brûleurs principaux, un technicien d'entretien qualifié doit être contacté pour vérifier s'il y a une évacuation inadéquate, une obstruction dans le tuyau d'échappement ou si l'interrupteur de sûreté de l'évent avec remise à zéro manuelle est défectueux.

AVERTISSEMENT: Lors de l'entretien des commandes, tous les fils doivent être identifiés avant de les débrancher. Une erreur de filetage peut entraîner un mauvais et dangereux fonctionnement. Vérifier que le fonctionnement soit convenable après l'entretien.

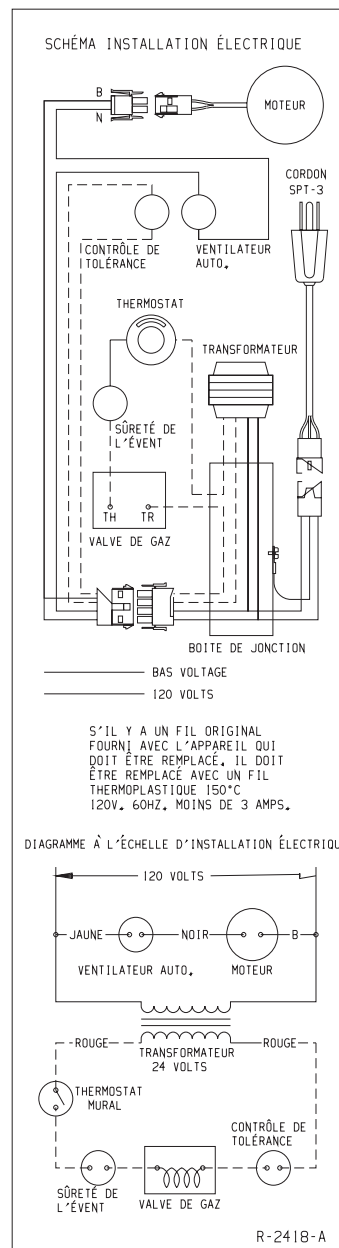


Figure 9

SYSTÈME DE FERMETURE DE SÛRETÉ DE L'ÉVENT

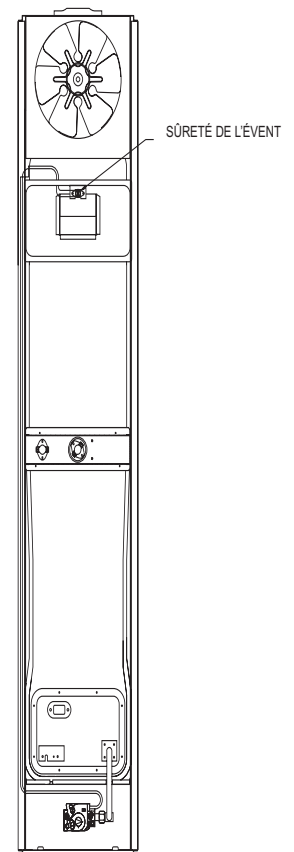


Figure 10

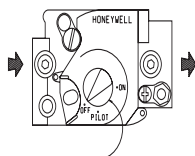
POUR VOTRE SÉCURITÉ, LIRE AVANT D'ALLUMER

AVERTISSEMENT: Si vous ne suivez pas exactement ces instructions, un feu ou une explosion peut se produire causant des dommages à la propriété, des blessures corporelles ou la mort.

- A. Cet appareil a une veilleuse qui doit être allumée manuellement. Lorsque vous allumez la veilleuse, suivez exactement ces instructions.
- B. **AVANT D'ALLUMER**, sentez partout dans l'appartement dans lequel l'appareil est situé pour déceler une odeur de gaz. Soyez certain de sentir près du plancher parce qu'il y a des gaz qui sont plus pesant que l'air et ceux-ci resteront sur le plancher.
- QUOI FAIRE SI VOUS SENTEZ LE GAZ**
- N'essayer pas d'allumer un appareil.
 - Ne toucher pas les interrupteurs électriques. N'utiliser pas les téléphones dans le bâtiment.
 - Appeler immédiatement votre fournisseur de gaz en employant le téléphone de votre voisin. Suivre les instructions du fournisseur de gaz.
- C. Si vous ne pouvez pas contacter votre fournisseur de gaz, appeler le poste de pompiers.
- D. Utiliser seulement votre main pour pousser ou tourner le bouton de contrôle de gaz. N'utiliser jamais des outils. Si vous ne pouvez pas pousser ou tourner le bouton avec vos mains, n'essayer pas de le réparer; appeler un technicien qualifié. Forcer ou essayer de réparer peut résulter en un feu ou une explosion.
- E. Ne pas utiliser cet appareil si une pièce a été en contact avec l'eau. Appeler immédiatement un technicien qualifié pour inspecter le radiateur et remplacer toute pièce du système de commande et les commandes de gaz qui ont été en contact avec l'eau.

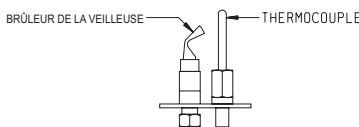
INSTRUCTIONS D'ALLUMAGE

1. **ARRÊTER!** Lire les informations de sécurité ci-dessus.
2. Mettre le thermostat à son plus bas réglage.
3. Éteindre tout pouvoir électrique à l'appareil.
4. Enlever le panneau d'accès au contrôle (panneau du bas avant).
5. Tourner le bouton de contrôle de gaz dans le sens des aiguilles d'une montre à la position "fermé".



BOUTON DE CONTRÔLE DU GAZ REPRÉSENTÉ DANS LA POSITION "FERMÉ"

6. Attendre 10 minutes pour se débarrasser des gaz. Après les 10 minutes, sentir partout y compris près du plancher pour déceler une odeur de gaz. Si vous sentez le gaz, **ARRÊTER!** Suivre "B" dans les informations de sécurité ci-dessus. Si vous ne sentez aucun gaz, aller à la prochaine étape.
7. Enlever le couvercle d'accès à la veilleuse situé sur la chambre de combustion.
8. Trouver la veilleuse - suivre le tuyau de métal à partir du contrôle de gaz. La veilleuse est située entre les deux tuyaux des brûleurs, derrière le couvercle d'accès à la veilleuse.
9. Tourner le bouton de contrôle de gaz dans le sens opposé des aiguilles d'une montre à la position "veilleuse".



10. Pousser et garder complètement en bas le bouton rouge de remise à zéro et pousser à plusieurs reprises le bouton d'allumage jusqu'à ce que le brûleur de la veilleuse soit allumé. La veilleuse peut aussi être allumée avec une allumette. Continuer de tenir le bouton rouge de remise à zéro pour environ une minute après que la veilleuse soit allumée. Relâcher le bouton et il reviendra à sa position. La veilleuse est supposée rester allumer. Si elle s'éteint, recommencer les étapes 5 jusqu'à 10.
 - Si le bouton ne revient pas à sa position lorsque vous le relâchez, arrêter et appeler immédiatement un technicien d'entretien ou le fournisseur de gaz.
 - Si la veilleuse ne reste pas allumée après plusieurs essais, tourner le bouton de contrôle de gaz à la position "fermé" et appeler votre technicien d'entretien ou votre fournisseur de gaz.
11. Replacer le couvercle d'accès à la veilleuse.
 12. Tourner le bouton de contrôle de gaz dans le sens opposé des aiguilles d'une montre à la position "ouvert".
 13. Replacer le panneau d'accès au contrôle (panneau du bas avant).
 14. Allumer tout le pouvoir électrique de l'appareil.
 15. Mettre le thermostat au réglage désiré.

POUR FERMER LE GAZ À L'APPAREIL

1. Mettre le thermostat au plus bas réglage.
2. Si l'entretien doit être fait, éteindre tout le pouvoir électrique à l'appareil.
3. Enlever le panneau d'accès au contrôle (panneau du bas avant).
4. Pousser légèrement le bouton de contrôle de gaz et tourner dans le sens des aiguilles d'une montre à la position "fermé". Ne pas forcer.
5. Replacer le panneau d'accès au contrôle (panneau du bas avant).

SUGGESTIONS POUR LE SERVICE ET L'ENTRETIEN

APPELER UN TECHNICIEN D'ENTRETIEN.

GÉNÉRAL : Tous les radiateurs ont reçu un test d'allumage pour vérifier le bon fonctionnement. Ceci inclus la flamme du brûleur principal, la flamme de la veilleuse, le fonctionnement du ventilateur, le contrôle du ventilateur, le contrôle de tolérance et le fonctionnement de la valve automatique. Si le radiateur ne fonctionne pas à la première installation, nous vous suggérons de revérifier ce qui suit:

1. 115 volts à la boîte de jonction
2. Pression de gaz à l'arrivée
3. Le système de 24 volts
4. Le genre de gaz utilisé et montré sur la plaque d'identification.

Pour vous assister à l'entretien du radiateur, vous pouvez contacter le département de service à Empire Comfort Systems, Inc.

Entretien de la veilleuse et des brûleurs principaux, ouverture de la veilleuse, thermocouple et ouvertures du brûleur principal: Débrancher l'alimentation de gaz à l'entrée de la valve de contrôle. Enlever la porte du brûleur à laquelle les pièces composantes ci-dessus sont attachées.

Entretien du moteur du ventilateur : Le panneau de devant en haut, le blindage autour des ailettes du ventilateur et les ailettes du ventilateur doivent être enlevés. Voir le paragraphe "Huilage du moteur" en page 8.

L'allumage à étincelles n'allume pas la veilleuse: Lorsqu'il y a de l'air dans la ligne de gaz, par exemple lors de la première installation du radiateur ou à cause du non-fonctionnement durant l'été, la flamme de la veilleuse peut être trop faible pour s'enflammer lors des premiers essais. Tourner le bouton de la valve de contrôle à la position veilleuse et baisser le bouton rouge de remise à zéro. Tenir continuellement le bouton baissé pour drainer la ligne;

1. Utiliser une tige d'allumage pour allumer la veilleuse avec une allumette.
2. Utiliser le piezo-allumeur à 30 secondes d'intervalles jusqu'à ce qu'elle s'allume.

Si l'Électrode ne Produit Pas d'Étincelle:

1. Vérifier les connexions des fils électriques
2. Vérifier la distance du brûleur de la veilleuse au bout de l'électrode.

Doit être entre 1/8" (3mm) et 3/16" (5mm). Le fil de l'électrode et le bout doivent être éloignés à plus de 1/4" (6mm) de toutes autres pièces métalliques.

En aucune façon, la veilleuse ne s'allume pas:

1. Vérifier le bouton de la valve, il doit être dans la position "veilleuse".
2. Vérifier l'ajustement de la veilleuse, il doit être complètement ouvert (dans le sens opposé des aiguilles d'une montre pour "ouvert").
3. S'il y a du gaz dans le tuyau d'alimentation, l'ouverture de la veilleuse et/ou le brûleur de la veilleuse est probablement bouché par un fil d'araignées. Nettoyer l'assemblage de la veilleuse et réallumer.

La veilleuse s'enflamme mais s'éteint lorsque le bouton est relâché:

1. Suivre les instructions et appuyer sur le bouton plus longtemps et fermement.
2. Déterminer si la flamme de la veilleuse s'allonge au-delà du thermocouple; si non, ajuster l'arrivée ou nettoyer le brûleur de la veilleuse.
3. Remplacer le thermocouple si la lecture des millivolts est moindre que 15 millivolts.

Valve principale de gaz ne s'ouvre pas lorsque le thermostat est tourné à "ouvert":

1. Vérifier que les 24 volts se rendent à la valve en enlevant un fil et en touchant à la MÊME BORNE qu'il était branché. Il y aura une petite étincelle à la borne. **NE PAS COURT-CIRCUITER LES BORNES, LE THERMOSTAT MURAL BRÛLERA.**
2. Les fils électriques du thermostat mural peuvent être court-circuités, ainsi vérifier pour un thermostat défectueux.
3. Pour vérifier le voltage dans la ligne au radiateur, enlever le panneau de devant en bas et le couvercle du compartiment d'interrupteur et court-circuiter deux bornes du contrôle du ventilateur pour permettre au ventilateur de fonctionner. (Figure 9)

AVERTISSEMENT: Lors de l'entretien des commandes, tous les fils doivent être identifiés avant de les débrancher. Une erreur de filetage peut entraîner un mauvais et dangereux fonctionnement. Vérifier le fonctionnement après l'entretien.

S'IL VOUS PLAÎT NOTER: Lorsque vous commandez les pièces, il est très important que le numéro de la pièce et la description coïncident.

Numéro d'Index	Numéro de la Pièce	Description	Index No.	Part Number	Description
1	WFA-115	Joint d'étanchéité de la plaque de base	29	712045	Joint d'étanchéité pour le tuyau de gaz
2	11763	Dessus de la paroi extérieure	30	DV-064	Plaque de couverture pour l'ouverture d'observation
3	632024	Fixation du moteur (exige quatre)			
4	11764	Barres de montage du moteur (exige deux)	31	DV-622	Porte du brûleur gaz naturel
			31	DV-973	Porte du brûleur gaz propane
5	712059	Joint d'étanchéité (exige deux)	32	DV-775	Support hermétique
6	R-619	Moteur	33	712059	Joint d'étanchéité hermétique de la tubulure
7	11787	Ailettes du ventilateur	34	722040	Raccord du tuyau de gaz
8	DV-635-B	Assemblage soudé de la chambre de combustion	35	R-5655	Valve de gaz VR8200C gaz propane
			35	R-2148	Valve de gaz VR8200C gaz naturel
9	11766	Bâti du ventilateur	36	UH-810	Support de montage pour transformateur
10	11759	Panneau du côté	37	R-1995	Transformateur
11	DV-627	Panneau de devant en haut	38	UH-451	Couvercle pour boîte de jonction
12	R-1619	Manchon	39	DV974	Dessous de la paroi extérieure
13	DV-823	Assemblage du coupe-tirage	40	8720148	Manchon
14	R-1749	Interrupteur de sûreté de l'évent	41	R-2708	Piezo-allumeur
15	R-1587	Assemblage des fils pour la sûreté de l'évent	42	872053	Cordon électrique
			43	872087	Manchon
16	8720130	Manchon	44	DV-671	Support du tuyau de gaz
17	11765	Assemblage du compartiment d'interrupteur	45	DV-765	Joint d'étanchéité pour la chambre d'entrée d'air (dessus et dessous) (exige deux)
18	DV-832	Couvercle du compartiment d'interrupteur	46	DV-764	Joint d'étanchéité pour la chambre d'entrée d'air (côtés) (exige deux)
19	912073	Contrôle de tolérance	47	8720140	Manchon
20	R-1941	Contrôle du ventilateur	48	DV-684	Assemblage du revêtement intérieur
21	DV-826	Assemblage du brûleur arrière	49	DV-629	Paroi arrière
22	672046	Thermocouple	50	11759	Panneau du côté
23	762214	Veilleuse avec ouverture gaz propane		R-1196-D	Fil électrique du ventilateur et de tolérance (Pas Représenté)
23	762111	Veilleuse avec ouverture gaz naturel			
24	DV-808	Tuyauterie de la veilleuse		R-6389	Thermostat mural de 24 volts (Pas Représenté)
25	DV-562	Panneau du bas avant			
26	DV-824	Assemblage du brûleur avant		862060	Tige d'allumage (Pas Représenté)
27	P-88-42	Brûleur principal avec ouverture gaz naturel (exige deux)		742265	Overture de la veilleuse (gas propane) (Pas Représenté)
27	742223	Brûleur principal avec ouverture gaz propane (exige deux)		R3469	Overture de la veilleuse (gas naturel) (Pas Représenté)
28	DV-687	Tuyau de gaz et assemblage de plaques			

Utiliser seulement les pièces de remplacement du fabricant. L'emploi de d'autres pièces peut causer des blessures ou la mort.

Façon de Commander les Pièces de Réparation ...

Les pièces peuvent être commandées seulement par l'entremise du technicien d'entretien ou du vendeur. Pour de meilleurs résultats, le technicien d'entretien ou le vendeur devrait commander les pièces chez le distributeur. Les pièces peuvent être expédiées directement au technicien d'entretien ou au vendeur.

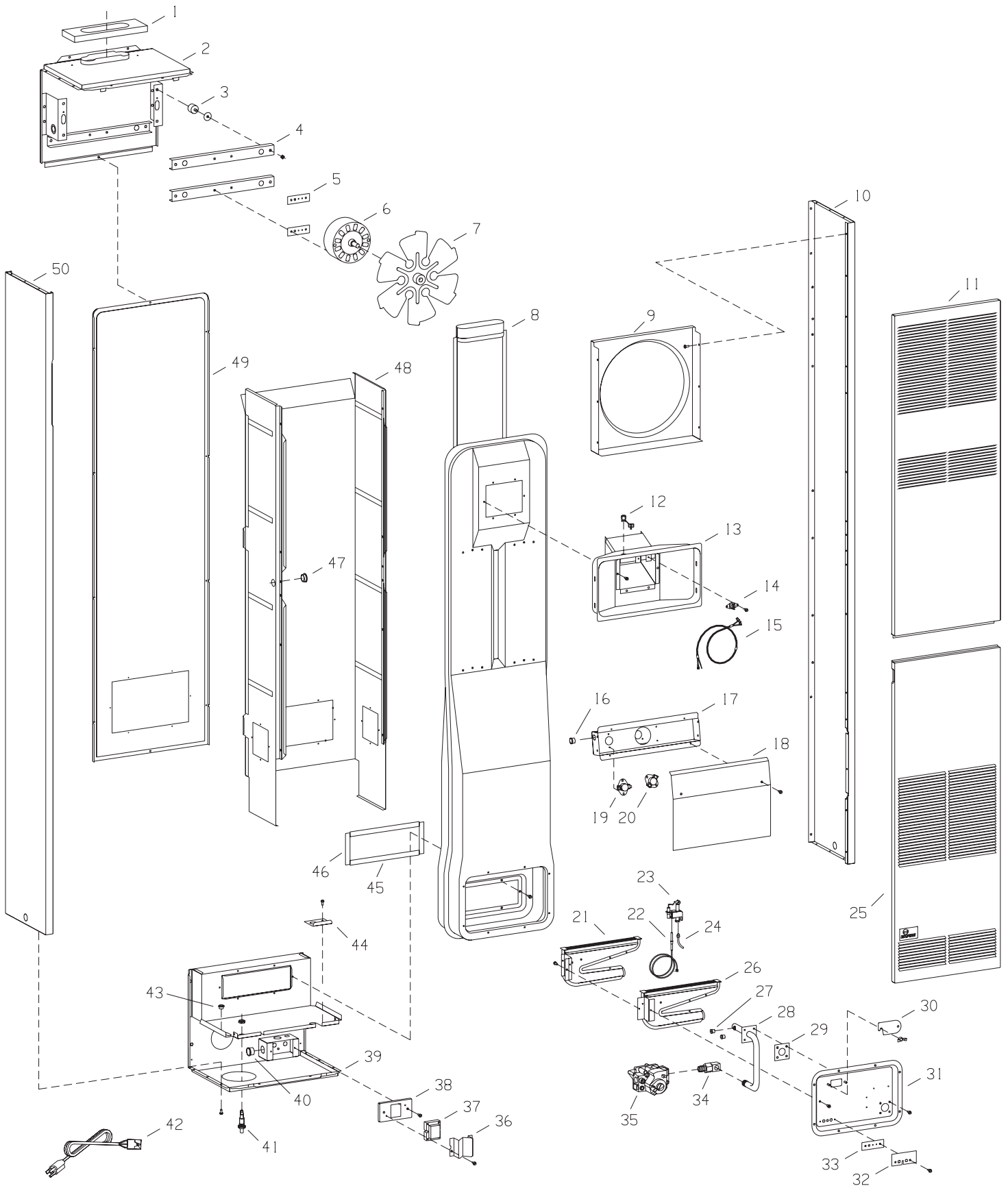
Toutes les pièces énumérées dans la liste ont un numéro de pièce. Lorsque vous commandez des pièces, premièrement obtenez le numéro du modèle sur la plaque d'identification de l'appareil. Puis en vous référant à l'illustration et à la liste des pièces, déterminer le numéro de la pièce (pas le numéro d'index) et la description de chaque pièce. Soyez certain de donner toutes ces informations.

Numéro du modèle du radiateur _____ Description de la pièce _____

Numéro de série du radiateur _____ Numéro de la pièce _____

Sorte de Gaz (Propane ou Naturel) _____

Ne pas commander les boulons, les vis, les rondelles ou les écrous. Ce sont des pièces standard que vous pouvez acheter dans les quincailleries. L'expédition des marchandises se fera sans délai, excepté en cas de grèves, de feux ou toutes autres circonstances indépendantes de notre volonté.



L'évacuation du modèle FAW-55 peut se faire comme il est représenté. Le capuchon d'évent doit être à au moins 12' (3.7m) au-dessus du plancher. Les entretoises fixes du tuyau d'évent B-1 gardent l'espace libre aux constructions combustibles à 1" (25mm). L'installation doit être conforme aux codes locaux.

Rond de 4" (102mm) (toutes les pièces peuvent être achetées localement, excepté l'item 2)

1. Tuyau rond de type B-1.
2. Pièce no. DV-648, l'assemblage de l'adaptateur à bouche oval à rond de 4" (102mm).
3. Les événements à gaz de type B-1 pour un étage exige une plaque de base et une paire d'entretoises pour la plaque du plafond.
4. Les événements à gaz de type B-1 pour plus d'un étage exige une plaque de base, une paire d'entretoises pour la plaque du plafond, au plafond du premier étage et une paire d'entretoises pour l'arrêt de feu à chaque niveau de plafond successif.

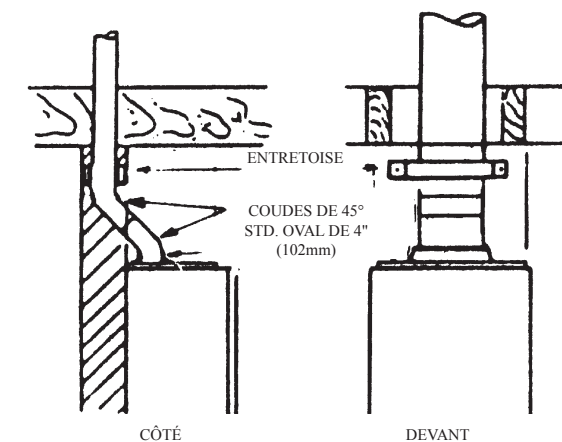
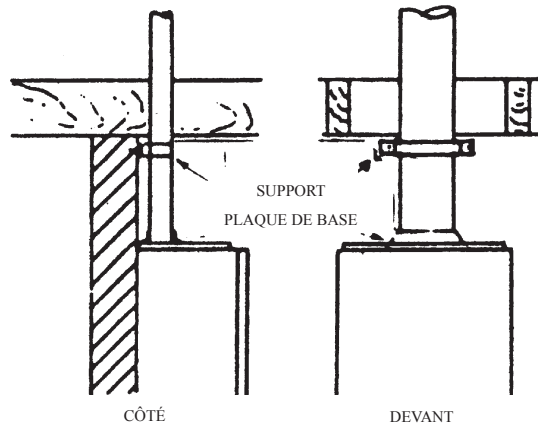
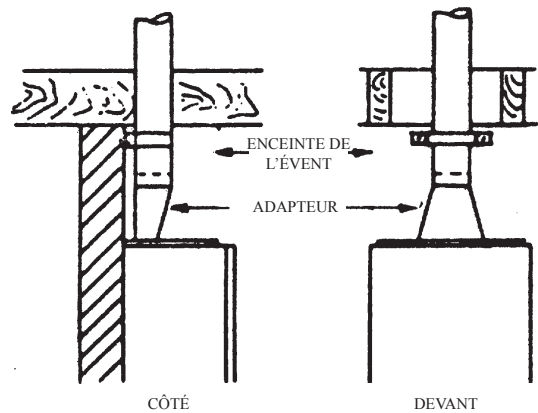
Oval de 4" (102mm) (toutes les pièces peuvent être achetées localement)

1. Tuyau oval de type B-1
2. Les événements à gaz de type B-1 pour un étage exige une plaque de base et une paire d'entretoises pour la plaque du plafond.
3. Les événements à gaz de type B-1 pour plus d'un étage exige une plaque de base, une paire d'entretoises pour la plaque du plafond, au plafond du premier étage et une paire d'entretoises pour l'arrêt de feu à chaque niveau de plafond successif.

Oval dans le mur, 4" (102mm) (toutes les pièces peuvent être achetées localement)

1. Tuyau oval de type B-1
2. Coudes ovales de type B-1
3. Les événements à gaz de type B-1 pour un étage exige une plaque de base et une paire d'entretoises pour la plaque du plafond.
4. Les événements à gaz de type B-1 pour plus d'un étage exige une plaque de base, une paire d'entretoises pour la plaque du plafond, au plafond du premier étage et une paire d'entretoises pour l'arrêt de feu à chaque niveau de plafond successif.

L'espace entre les montants autour des événements à gaz doit être sans obstruction et sans papier de construction.



Accessoires	
Numéro pièce	Description
SOR-1	Registre, sortie de côté, registre fixe.
SOK-1	Sortie de côté, extension de 10" (254mm) maximum, registre fixe.
ROK-1	Sortie arrière, extension de 10" (254mm) maximum, registre ajustable.
DV-651	Enceinte de l'évent, 14" (356mm). [pour une chambre jusqu'à 96 1/2" (245cm) de hauteur].
DV-665	Enceinte de l'évent, 24" (610mm) [pour une chambre jusqu'à 106 1/2" (270.5cm) de hauteur].
DV-666	Enceinte de l'évent, 36" (914mm) [pour une chambre jusqu'à 118 1/2" (301cm) de hauteur].
DV-648	Assemblage de l'adaptateur à bouche oval à rond de 4" (102mm).

Lorsque vous installez le FAW-55, utiliser de l'équipement d'évent à gaz admis U.L. Pour les tuyaux d'évent traversant les murs, le toit et 1" (25mm) de construction combustible, utilisez les tuyaux d'évent B-1 [1" (25mm) d'espace libre aux combustibles]. Le type B-2 x 4 ou le type B-2 x 6 doivent être utilisés concurremment avec l'entretoise d'arrêt de feu admise.

Les tuyaux d'évent à gaz de type BW sont disponible pour les installations d'un étage ou de plusieurs étages. Les tuyaux d'évent à gaz de type BW doivent être utilisés avec les plaques de base, les entretoises de plaque du plafond et les entretoises d'arrêt de feu admises.

GARANTIE

Empire Comfort Systems Inc. garantit que ce produit de chauffage individuel est exempt de défauts au moment de son achat et pendant les périodes indiquées ci-dessous. Les produits de chauffage individuel doivent être installés par un technicien qualifié et doivent être entretenus et utilisés de façon sécuritaire, en conformité avec les instructions du mode d'emploi. Cette garantie est accordée à l'acheteur initial seulement et n'est pas transférable. Toutes les réparations sous garantie doivent être exécutées par un technicien d'appareil au gaz qualifié.

Garantie limitée de dix ans sur les pièces – Chambre de combustion

En cas de défaillance de la chambre de combustion (voir la nomenclature des pièces) en raison de défauts de pièces ou de main-d'œuvre dans les dix ans à compter de la date d'achat, Empire s'engage à la réparer ou à la remplacer, au choix d'Empire.

Garantie limitée d'un an sur les pièces – Télécommande, thermostats, accessoires et pièces

En cas de défaillance d'une télécommande, d'un thermostat, d'un accessoire ou autre pièce en raison de défauts de main-d'œuvre dans un délai d'un an à compter de la date d'achat, Empire s'engage à la réparer ou à la remplacer, au choix d'Empire.

Obligations du propriétaire

L'appareil doit être installé par un installateur qualifié et utilisé en conformité avec les instructions fournies avec l'appareil.

Conserver une facture, un chèque oblitéré ou un justificatif de paiement pour attester de la date d'achat et établir la période de garantie.

Accès immédiat à l'appareil pour la réparation.

Ce qui n'est pas couvert

Dommages pouvant résulter de l'emploi, de l'emploi abusif ou d'une installation incorrecte de cet appareil.

Frais de déplacement, de diagnostic et de transport des pièces sous garantie vers et depuis l'usine.

Réclamations qui n'impliquent pas des défauts de pièces ou de main-d'œuvre.

Réparations ou remplacements de pièces non autorisés.

Coûts de dépose et de remontage.

Appareil inutilisable en raison d'un entretien incorrect ou insuffisant.

Comment recourir à la garantie

Pour soumettre une réclamation en garantie, veiller à avoir le reçu à disposition et communiquer avec le revendeur installateur. Indiquer au revendeur le numéro de modèle, le numéro de série, le type de gaz et le justificatif d'achat. Le revendeur installateur a pour responsabilité d'assurer la réparation et s'adressera à l'usine pour mettre en œuvre tout remplacement de pièces sous garantie. Empire met les pièces de rechange à disposition à l'usine. Les frais de port ne sont pas couverts.

Si, après s'être adressé au revendeur Empire, le service reçu n'est pas satisfaisant, communiquer avec : Consumer Relations Department, Empire Comfort Systems Inc., PO Box 529, Belleville, Illinois 62222 (États-Unis) ou envoyer un courriel à info@empirecomfort.com en indiquant « Consumer Relations » dans le champ de sujet.

Vos droits en vertu de la loi provinciale

Cette garantie vous accorde des droits juridiques particuliers, toutefois vous pouvez avoir d'autres droits, qui varient d'une province à l'autre.



Empire Comfort Systems Inc.
918 Freeburg Ave. Belleville, IL 62220

If you have a general question about our products, please e-mail us at info@empirecomfort.com.

If you have a service or repair question, please contact your dealer.

www.empirecomfort.com