

This Owner's Manual is provided and hosted by [Appliance Factory Parts](#).



Filter Queen AT1100 Owner's Manual

[Shop genuine replacement parts for Filter Queen
AT1100](#)



[Find Your Filter Queen Vacuum Cleaner Parts - Select From 23 Models](#)

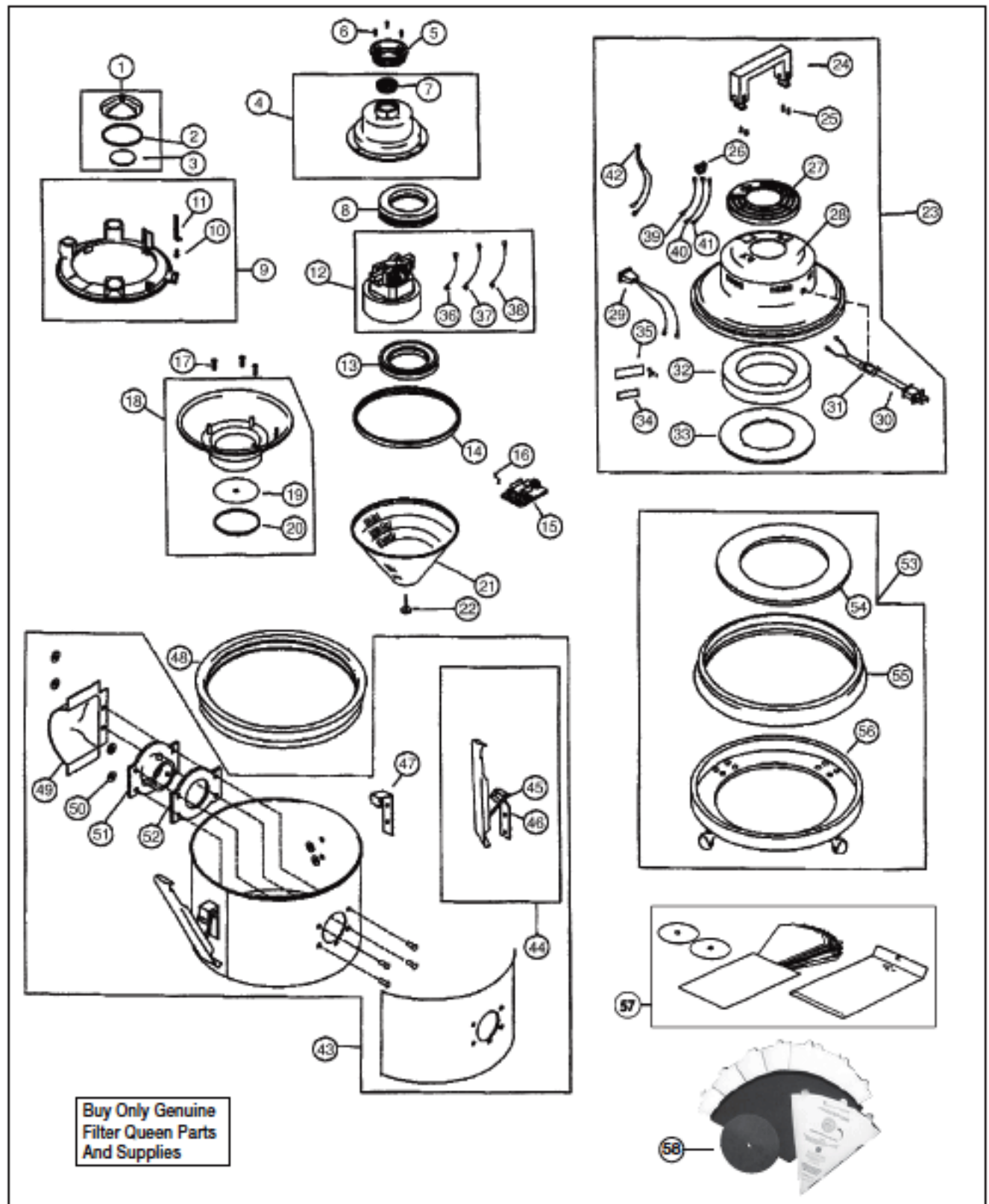
----- Manual continues below -----

FILTER QUEEN

Original & Replacement

Model 112C 75th ANNIVERSARY, M360SS

Top Dome & Dirt Container Assembly



Original & Replacement **FILTER QUEEN**

Model 112C 75th ANNIVERSARY, M360SS Top Dome & Dirt Container Assembly

KEY	PART NO.	DESCRIPTION	KEY	PART NO.	DESCRIPTION
1	FQ-4073000	Cap, Dome Complete, Black	33	FQ-31791	Filter, Cardboard Support
2	FQ-7610	Gasket, Cap Dome	34	FQ-2419500000	Labels, Dome Filter
3	FQ-1812	Pad, Cap Felt	35	FQ-2419400000	Label, Warning
4	FQ-3180	Motor Support, Upper	36	FQ-2029000201	Lead Wire, Black
5	FQ-7510	Connector, Plastic Dome Cap Black	37	FQ-2029000203	Lead Wire, Red
6	FQ-8888000900	Screw, 8 X 1/2"	38	FQ-2029000207	Lead Wire, Blue
7	FQ-7505	Screen, Upper Plastic Black	39	FQ-2029000105	Lead, Terminated, 12", Yellow
8	FQ-350059	Gasket, Top Motor	40	FQ-2029000107	Lead, Terminated, 12", Blue
9	FQ-5702	Holder, Attachment Black	41	FQ-2029000110	Lead, Terminated, 12", White
10	FQ-2888008100	Screw, Attachment Holder	42	FQ-95835	Lamp, Dome
11	FQ-7201	Spring & Pin Complete	43	N/A *	Dirt Container Complete
12	FQ-6036	Motor Complete 2 Speed 1 Stage 3 Wire	44	FQ-7519	Clamp, Dirt Container, Silver
12	FQ-6010	Motor Complete, 2 Speed 2 Stage 3 Wire	44	FQ-7520	Clamp, Dirt Container, Chrome
13	FQ-350060	Gasket, Bottom Motor	45	FQ-8888000300	Rivet, Clamp
14	FQ-31775	Gasket, Black Dome	46	FQ-2231000100	Spring, Clamp
15	FQ-3610	Circuit Board, 112C, 75"	47	FQ-500778	Bracket, Clamp Dirt Container
15	FQ-3660	Circuit Board 2 Speed W/Relay M360SS	48	FQ-200430	Gasket, Dirt Container Black
16	FQ-8888003800	Screw, 4 X 1/2"	49	FQ-200451	Deflector, Stainless
17	FQ-8888000700	Screw, 10-32 X 3/4"	50	FQ-11246	Washer
18	FQ-6201	Lower Motor Support Complete	51	FQ-35043	Inlet
19	FQ-95450	Filter, Secondary Disc	52	FQ-2430000200	Gasket, Inlet 1/16"
20	FQ-95798	Filter, Retainer Disc	53	FQ-4062000701	Dolly Complete, Silver
21	FQ-31770	Cone, Perforated Black	53	FQ-4062000101	Dolly Complete, Chrome
22	FQ-350712	Screw, Thumb Cone Perforated	54	FQ-95905	Shield, Caster
23	N/A	Dome Assy Complete	55	FQ-99783	Bumper, Black
24	FQ-9966	Handle, Complete Black	56	FQ-7112	Caster & Plate, Black Silver
25	FQ-31319P	Screw, 8 X 3/4"	56	FQ-7115	Caster & Plate, Black Chrome
26	FQ-34007	Switch, 2 Speed 3 Terminal Red Rocker	57	FQ-50047	Filter Cone, Paper 12 Pk
26	FQ-3460	Switch, 2 Speed 6 Terminal Rocker M360SS		FQR-1400	Filter Cone, Paper DVC 12 Pk
27	FQ-7535	Grille, Text W/Heat Trans Black		FQR-1450	Filter Cone, Paper ENV 12 Pk
28	N/A	Dome	58	FQ-1827	Filter Cone Kit
29	FQ-33321M	Outlet, Snap In Black			6 Pre Filters, 1 Medipure, 1 Flat Filter
30	NLA	Cord, 20 Ft 2 Wire Black (Order FQ-31301)			
30	FQ-3060	Cord 23', M360SS			
31	FQ-3266	Strain Relief			
32	FQ-1800	Filter Ring			
32	FQR-1815	Filter Ring			

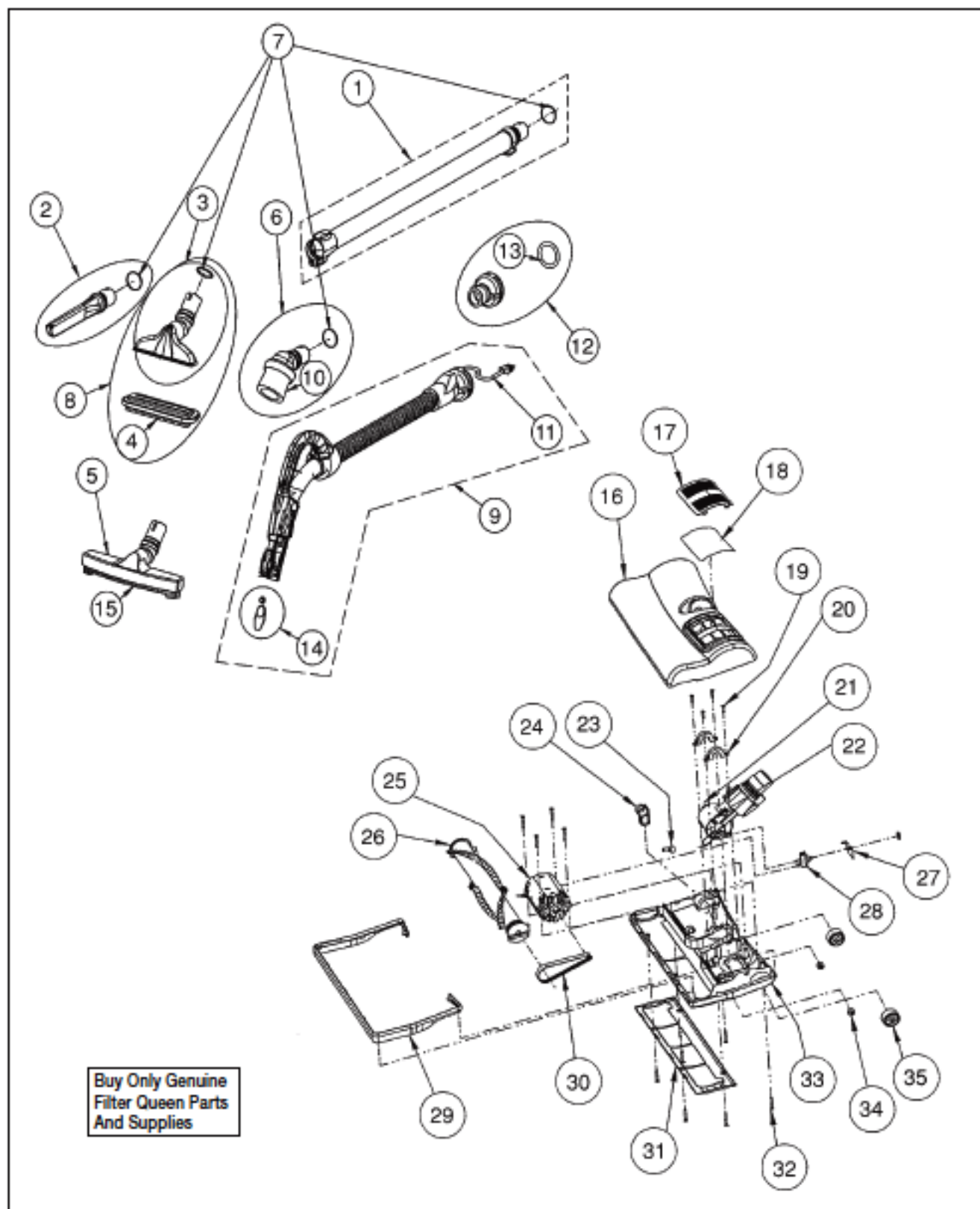
N/A = Not Available

* For replacement of any dust container the customer must contact Filter Queen directly for warranty replacement.

Buy Only Genuine
Filter Queen Parts
And Supplies

FILTER QUEEN Original & Replacement

MODEL 112C, 75TH ANNIVERSARY M360SS, AT1100 POWER NOZZLE



Original & Replacement **FILTER QUEEN**

MODEL 112C, 75TH ANNIVERSARY M360SS, AT1100 POWER NOZZLE

KEY	PART NO	DESCRIPTION	KEY	PART NO.	DESCRIPTION
1	NLA	Wand Complete Plastic, Black	19	FQ-7888006804	Screw, #6-19
1	FQ-5001	Wand Complete, Stainless	20	FQ-7225	Bracket, Swivel Adapter, (2) Req.
2	FQ-5412	Crevice Tool Complete	21	FQ-1855	Seal, Felt, Upper Nozzle
3	FQ-5205	Upholstery Tool Without Brush, W/Curved Neck	22	FQ-7210	Swivel Adapter, Complete
4	FQ-5210	Upholstery Brush Only, Black	23	FQ-7240	Crimp Connector
5	FQ-5510	Bare Floor Brush Complete, W/Curved Neck	24	FQ-1210000600	Swivel Adapter, Lock
6	FQ-5300	Dusting Brush Complete	25	FQ-6060	Motor, PN, Geared Shaft
7	FQ-7605	Seal O Ring, Attachments	26	FQ-2025	Brushroll, Complete
8	FQ-5200	Upholstery Tool With Brush With Curved Neck Complete	27	FQ-3450	Bracket, Circuit Breaker
9	FQ-4005	Hose With Gas Pump Handle, Complete	28	FQ-8831	Circuit Breaker
10	FQ-33806	Insert, Dusting Brush Only	29	FQ-7410*	Bumper, Power Nozzle
11	FQ-96821	Cord Pigtail, Male/Female, 10.5" Black	30	FQ-1075	Belt, Geared
12	FQ-9680-3	Swivel Connector, Machine End	31	FQ-7612	Bottom Wear Plate, Power Nozzle
13	FQ-3407	Gasket, Machine End	32	FQ-7888012400	Screw, Flat #6-32
14	FQ-4505	Button & Spring, Wand End	33	FQ-7515	Lower Housing, Black
15	FQ-2200	Insert, Bare Floor Brush Only	33	FQ-7216	Lower Housing, Silver
16	FQ-7212	Upper Housing PN, Black	34	FQ-7110	Wheel, Front
16	FQ-7211	Upper Housing PN, Silver	35	FQ-7100	Wheel, Rear
17	FQ-7220	Grille, Motor Filter, Nozzle			
18	FQ-1810	Filter, Motor PN			

* To replace bumper on silver power nozzle only. Customer must contact Filter Queen directly for warranty replacement