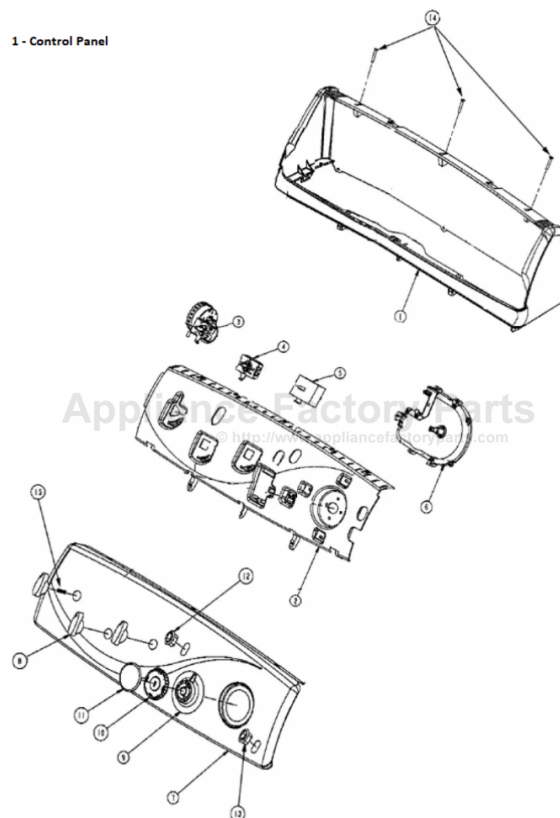


This Owner's Manual is provided and hosted by [Appliance Factory Parts](http://www.appliancefactoryparts.com).



# MAYTAG MAVT634AWW Owner's Manual

[Shop genuine replacement parts for MAYTAG  
MAVT634AWW](#)



[Find Your MAYTAG Washer Parts - Select From 1756 Models](#)

----- Manual continues below -----





