



Outdoor Grill  
BGC36-BQAR-L US CA  
*Product Code: 71120-A*

## **Parts Manual**

US CA

Brand:	DCS by Fisher & Paykel
Voltage:	120V, 60Hz
Model:	BGC36-BQAR-L DCS US CA
Product Code:	71120-A

## Models

- The model covered by this manual is listed on the front cover.
- The information detailed in this manual is subject to change without notice. The latest version is indicated by the reprint date and replaces any earlier editions.

## Kit Parts

Kit components are shown in *italics*. Where a part number is shown against the descriptions for these kit components, they are also available as separate items. In addition, some parts may be supplied with these kits that are not available as separate items, and are therefore either not listed, or a part number is not shown against the part description in this manual.

## Parts List Key

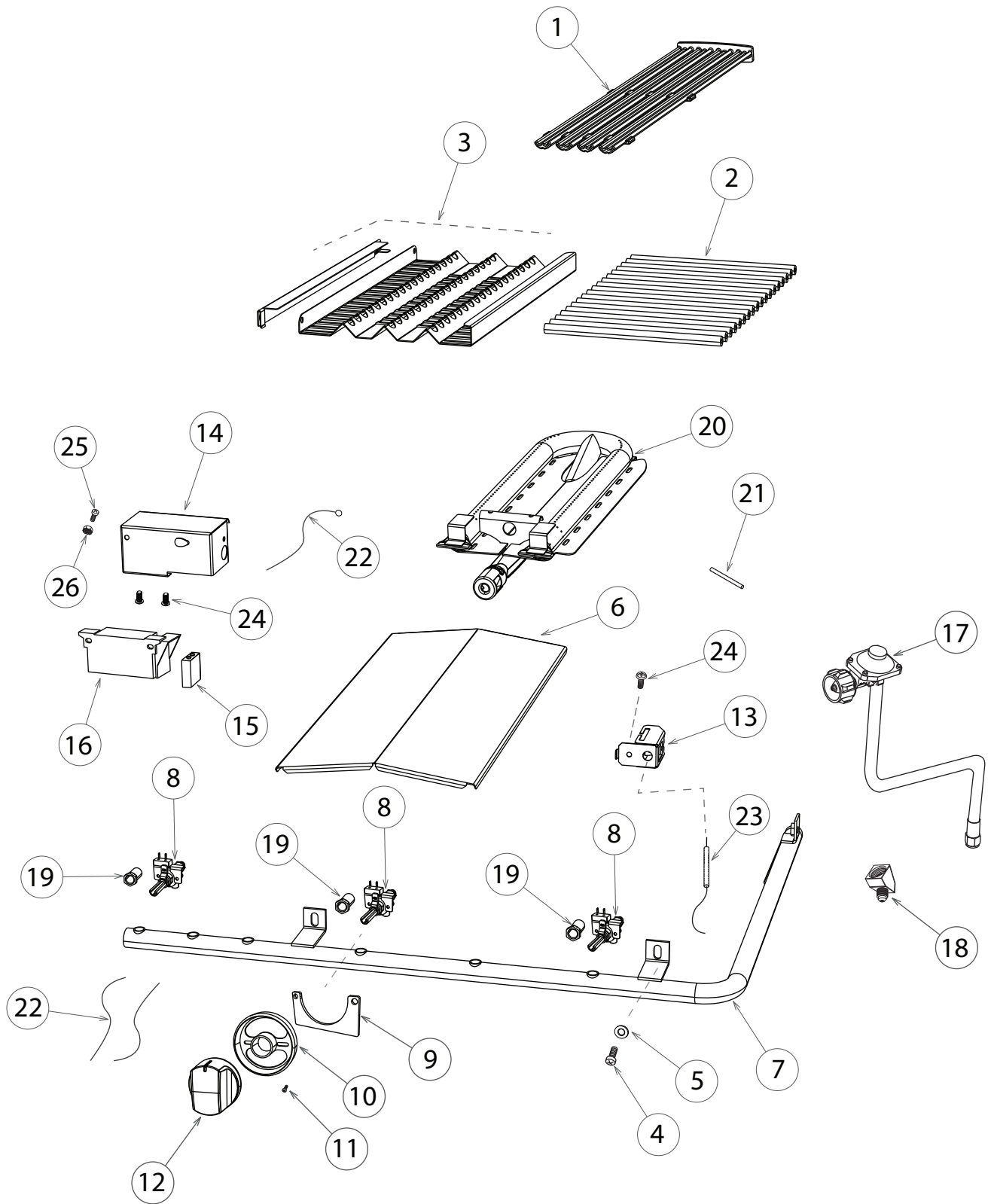
<i>italics</i>	Kit components or parts included are shown in italics. Refer to above notes: Kit Parts.
NS	As a part reference, indicates the part is not serviceable.
NI	As a part reference, indicates the part is not illustrated on the diagram.
NOT USED	As a part number, indicates the diagram part reference is not used in this manual.

GRILL BURNER COMPONENTS	3
GRILL BODY COMPONENTS & ACCESSORIES	5
ROTISSERIE COMPONENTS	9
SMOKER BURNER COMPONENTS	13

Fisher & Paykel Appliances Inc.  
DCS Customer Care  
695 Town Center Drive, Suite 180  
Costa Mesa.  
CA 92626-1902  
USA

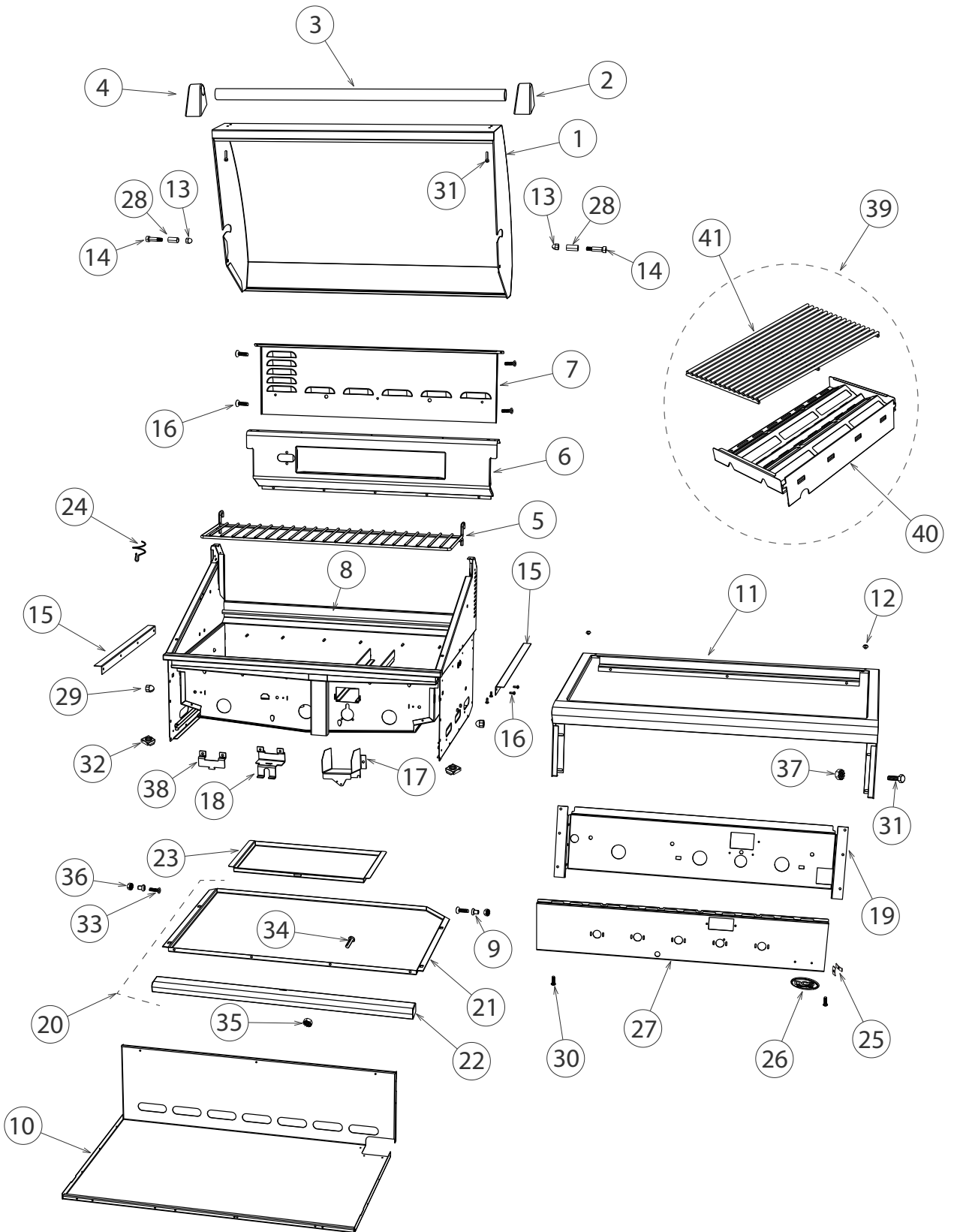
Customer Care: 1-888-936-7872  
Fax: (714) 372-7003  
email: [customer.care@fisherpaykel.com](mailto:customer.care@fisherpaykel.com)  
[www.dcsappliances.com](http://www.dcsappliances.com)

3 GRILL BURNER COMPONENTS



REF.	PART NUMBER	PART DESCRIPTION
<b>1</b>	212341	<b>GRATE BGA GRILLS</b>
<b>2</b>	245398	<b>CERAMIC ROD 9.50 (PKT10)</b>
<b>3</b>	214081	<b>RADIANT ASSY BGB36/48</b>
	<i>Includes 214046</i>	<i>LOCK RADIANT BGB 36-48</i>
	<i>Includes 213997</i>	<i>HOUSING RADIANT BGB36-48</i>
<b>4</b>	211323P	<b>HB 1/4-20 X 1/2 XFULL SS (10PK)</b>
<b>5</b>	211368P	<b>WASHER FLT SS .250 X .750 (10PK)</b>
<b>6</b>	214569	<b>HEAT SHIELD FIRE BOX</b>
<b>7</b>	237806	<b>MANIFOLD SS BGB 36 - BQR</b>
<b>8</b>	250821	<b>GAS VALVE BGC GREEN</b>
<b>9</b>	250789	<b>PLATE BEZEL SUPPORT BGC</b>
<b>10</b>	250745	<b>BEZEL GRILL DCS</b>
<b>11</b>	211248P	<b>SMS 6-32X 3/8 PH PN TY F SS</b>
<b>12</b>	250777	<b>DIAL GRILL DCS ASSY</b>
<b>13</b>	214293	<b>MOUNTING BRACKET ELECTRODE</b>
<b>14</b>	250851	<b>HOUSING IGNITION MODULE W/A</b>
<b>15</b>	212337	<b>BATTERY ALKALINE 9V</b>
<b>16</b>	212334	<b>BATTERY IGN MODULE 9V ELTEC 6</b>
<b>17</b>	239862P	<b>REGULATOR ASSY LP 2 STAGE</b>
<b>18</b>	239586	<b>ELBOW 45 3/8 M FLAREX 1/2F NPT</b>
<b>19</b>	220579	<b>JET SPUD LG 1.51MM (53DMS)</b>
<b>20</b>	251049	<b>TUBE BURNER BGC 36 - 48 W/A</b>
<b>21</b>	211593	<b>FIBER GLASS SLEEVE 1/2 (3.34FT)</b>
<b>22</b>	250865	<b>BGC36 - BQAR IGNITION SW LOOM</b>
	<i>Includes</i>	<i>BGC EARTH WIRE WITH TERMINALS</i>
	<i>Includes</i>	<i>BGC 5 SW WIRE WITH TERMINALS</i>
<b>23</b>	250872	<b>BGC36 BQAR IGNITER KIT</b>
	<i>Includes 250199P</i>	<i>BURNER ELECTRODE 14.5 in.</i>
	<i>Includes 250201P</i>	<i>BURNER ELECTRODE 29.0 in.</i>
	<i>Includes 250203P</i>	<i>BURNER ELECTRODE 44.88 in</i>
	<i>Includes 250286P</i>	<i>ROTIS BNR ELECTRODE 45.0 in</i>
	<i>Includes 250285P</i>	<i>SMOKER ELECTRODE 32.0 in</i>
<b>24</b>	211242P	<b>SM 10-24X1/2 PHPN TY F SS 10PK</b>
<b>25</b>	211295P	<b>MS 8-32 X 1/2 PH TR HD SS (10PK)</b>
<b>26</b>	211480P	<b>NUT 8-32 KEPS SS (10PK)</b>

5 GRILL BODY COMPONENTS & ACCESSORIES

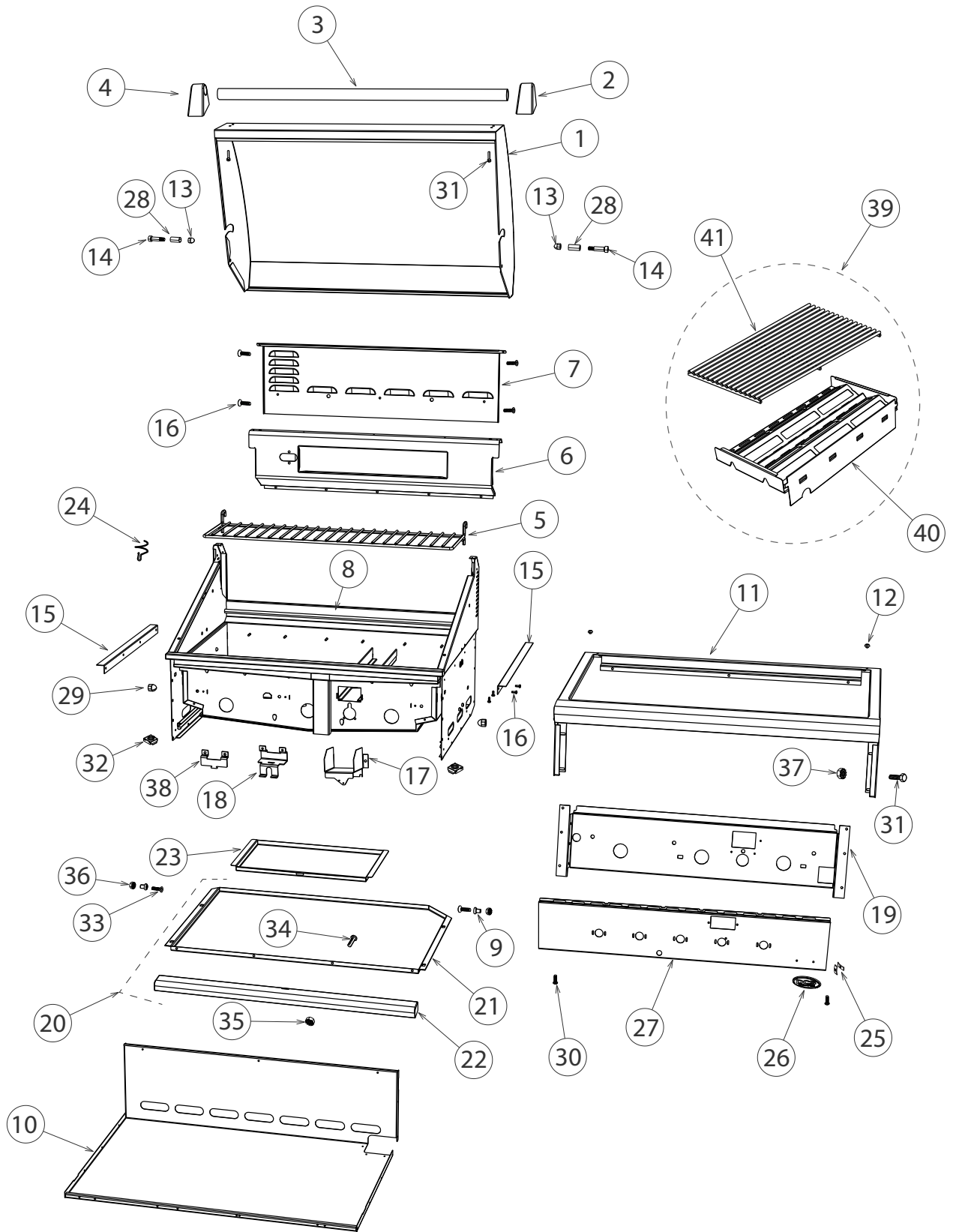


# GRILL BODY COMPONENTS & ACCESSORIES

REF.	PART NUMBER	PART DESCRIPTION
1	214404	LID W/A BGB36
2	248037	END CAP HANDLE RH
3	251126	GRILL HANDLE LID 36
4	248038	END CAP HANDLE LH
5	214030	WARMING RACK ST/STL 3 BURNERS
6	224759	WRAPPER I/R BURNER BGB36
7	224760	SERVICE PANEL BGB36
8	250840	FIRE BOX W/A BGC36
9	211090P	RACK ROLLER VERTICAL (PKD)
10	224751	BOTTOM BURNER BOX BGB36
11	250959	LANDING LEDGE W/A BGC36
12	212359	RUBBER BUMPER
13	211387	ACORN NUT 5/16-18 DEFLECTED
14	211437	BLT SHLDR SS 5/16-18X 1
15	224769	ANGLE GRILL SUPPORT
16	211242P	SM 10-24X1/2 PHPN TY F SS 10PK
17	214572	SHIELD SMOKER VALVE
18	250318	BRACKET SAFETY VALVE AA
19	250960	FRONT BAFFLE BGC36
20	224783	DRIP PAN ASSY BGB36
	<i>Includes 214405</i>	<i>DRIP PAN BGB36</i>
	<i>Includes 214406</i>	<i>DRIP PAN HANDLE BGB36</i>
	<i>Includes</i>	<i>MS 10-24 X 3/8 PH TRU SS X 4</i>
	<i>Includes</i>	<i>NUT HEX 10-24 SS LOCK NYLON X 4</i>
21	214405	DRIP PAN BGB36
22	214406	DRIP PAN HANDLE BGB36
23	214289	GREASE CAN
24	545874	WIRE STANDOFF COIL
25	211419P	LOGO - CLIP (2 PACK)
26	237566	BADGE 3.3"
27	250962	VALVE PANEL BGC36 BQAR PTD
NI	251056	RUBBER BUMPER 0266
28	213907	SPACER LID 36/48 BQ
29	211390	ACORN NUT LOCKING 1/4-20 SS
30	211242P	SM 10-24X1/2 PHPN TY F SS 10PK
31	211323P	HEX 1/4-20X 1/2 FUL TH SS 10PK
32	211408P	NUT W/RET 1/4-20 BLK (10PK)



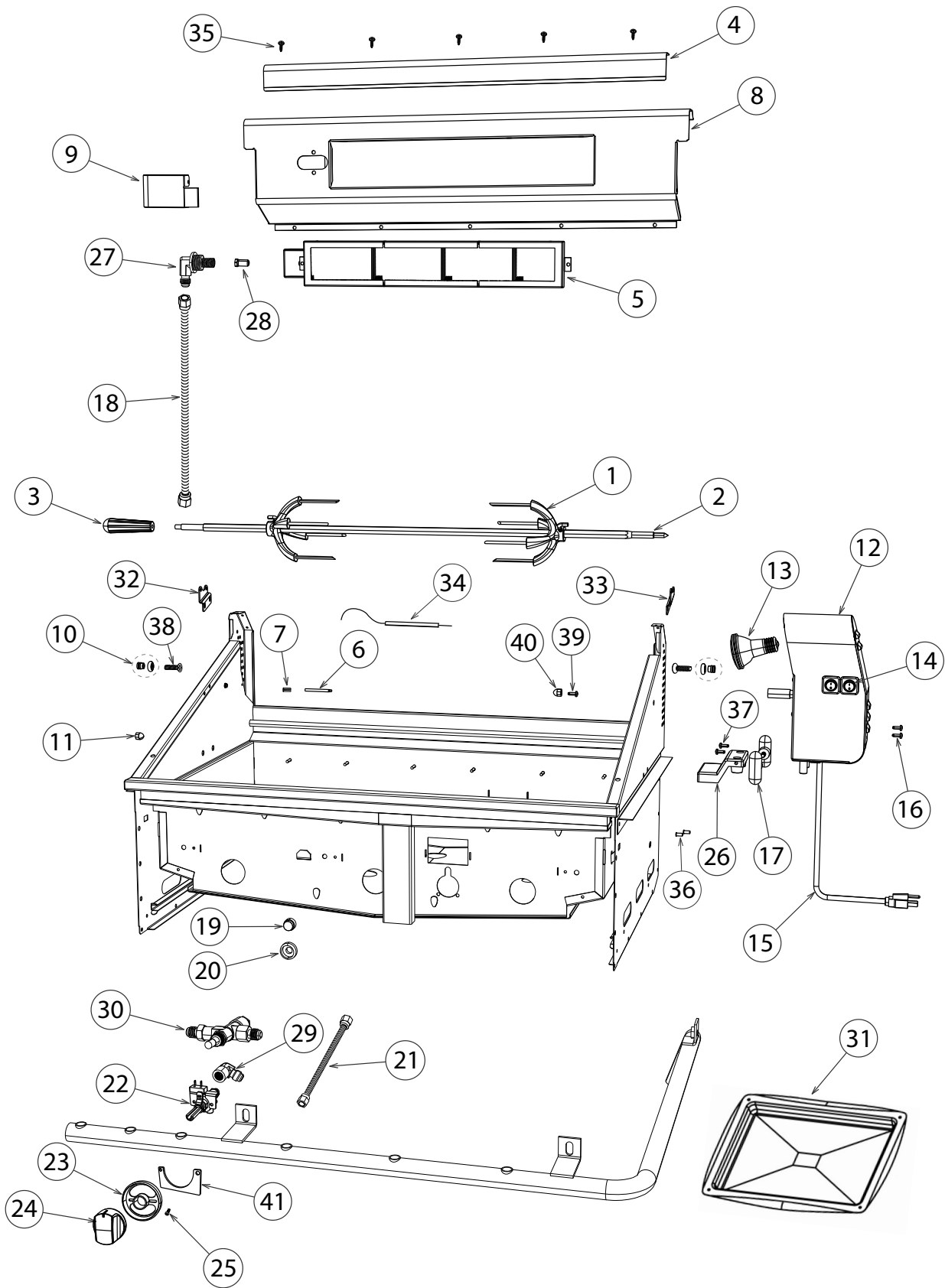
7 GRILL BODY COMPONENTS & ACCESSORIES



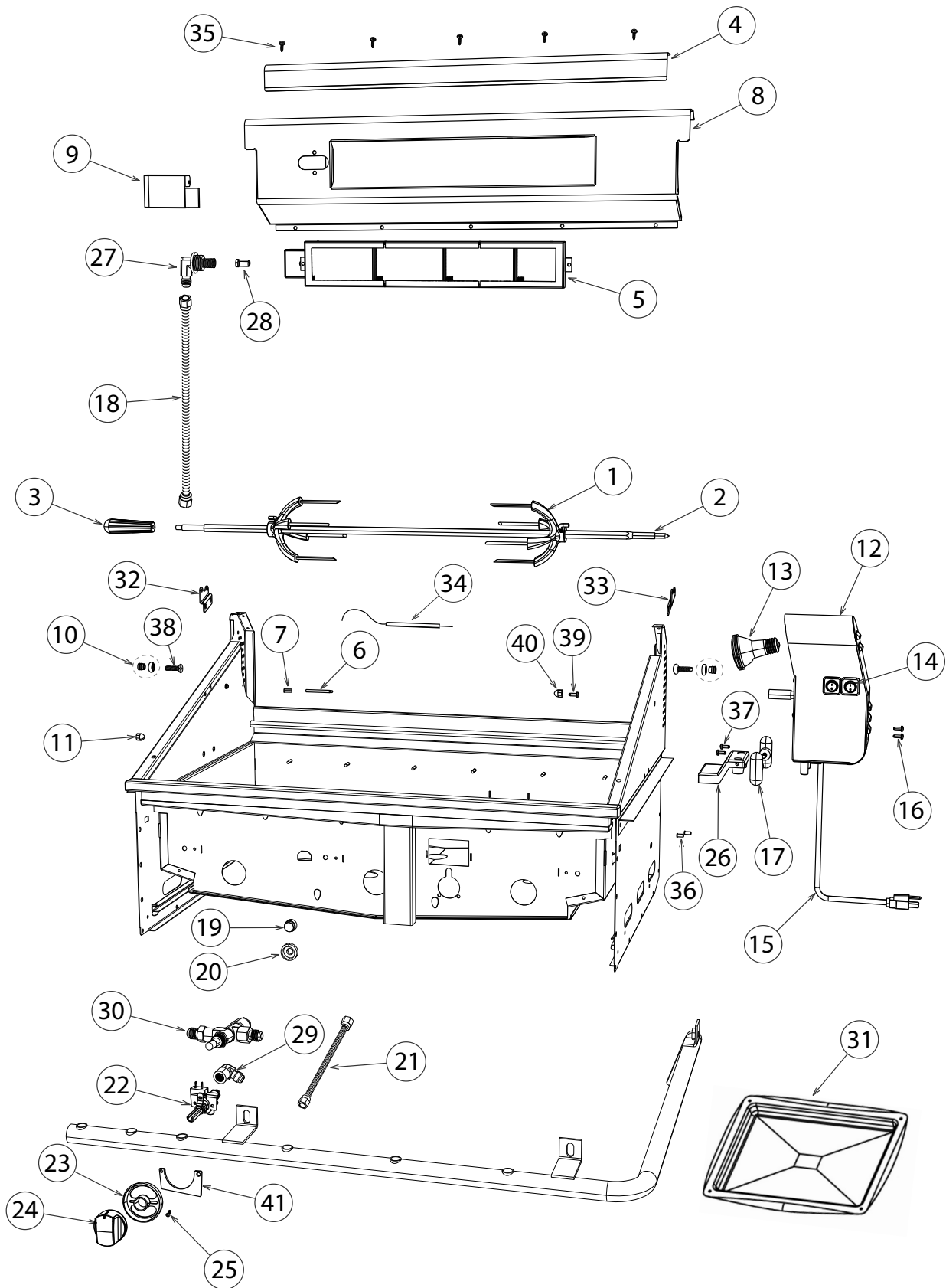


REF.	PART NUMBER	PART DESCRIPTION
<b>33</b>	<b>250184</b>	<b>MS 10-24 X 1 PH FLT 100 316 SS</b>
<b>34</b>	<b>211278</b>	<b>MS 10-24 X 3/8 PH TRU SS</b>
<b>35</b>	<b>211359</b>	<b>NUT HEX 10-24 SS NYLON</b>
<b>36</b>	<b>211394</b>	<b>NUT KEPS 10-24 SS</b>
<b>37</b>	<b>211398P</b>	<b>NUT KEPS 1/4-20 SS (10PK)</b>
<b>38</b>	<b>250319</b>	<b>LOCK BRACKET SAFETY VALVE AA</b>
<b>NI</b>	<b>590925</b>	<b>BKSET BGC36/48 GRILLS DCS USCA</b>
	<i>Includes</i>	<i>BOOK USR/INSTL BGC 36-48 DCS USCA</i>
	<i>Includes</i>	<i>BK SRVCE/W'NTY OUTDR DCS USCA</i>
<b>NI</b>	<b>71160</b>	<b>DROP ON GDPLATE FOR BGC DCS US</b>
<b>39</b>	<b>71161</b>	<b>IR BURNER FOR BGC DCS US</b>
<b>40</b>	<b>250358P</b>	<b>SEAR TRAY ASSY (PKD)</b>
<b>41</b>	<b>250816P</b>	<b>GRATE GRILL RACK (PKD)</b>

9 ROTISSERIE COMPONENTS

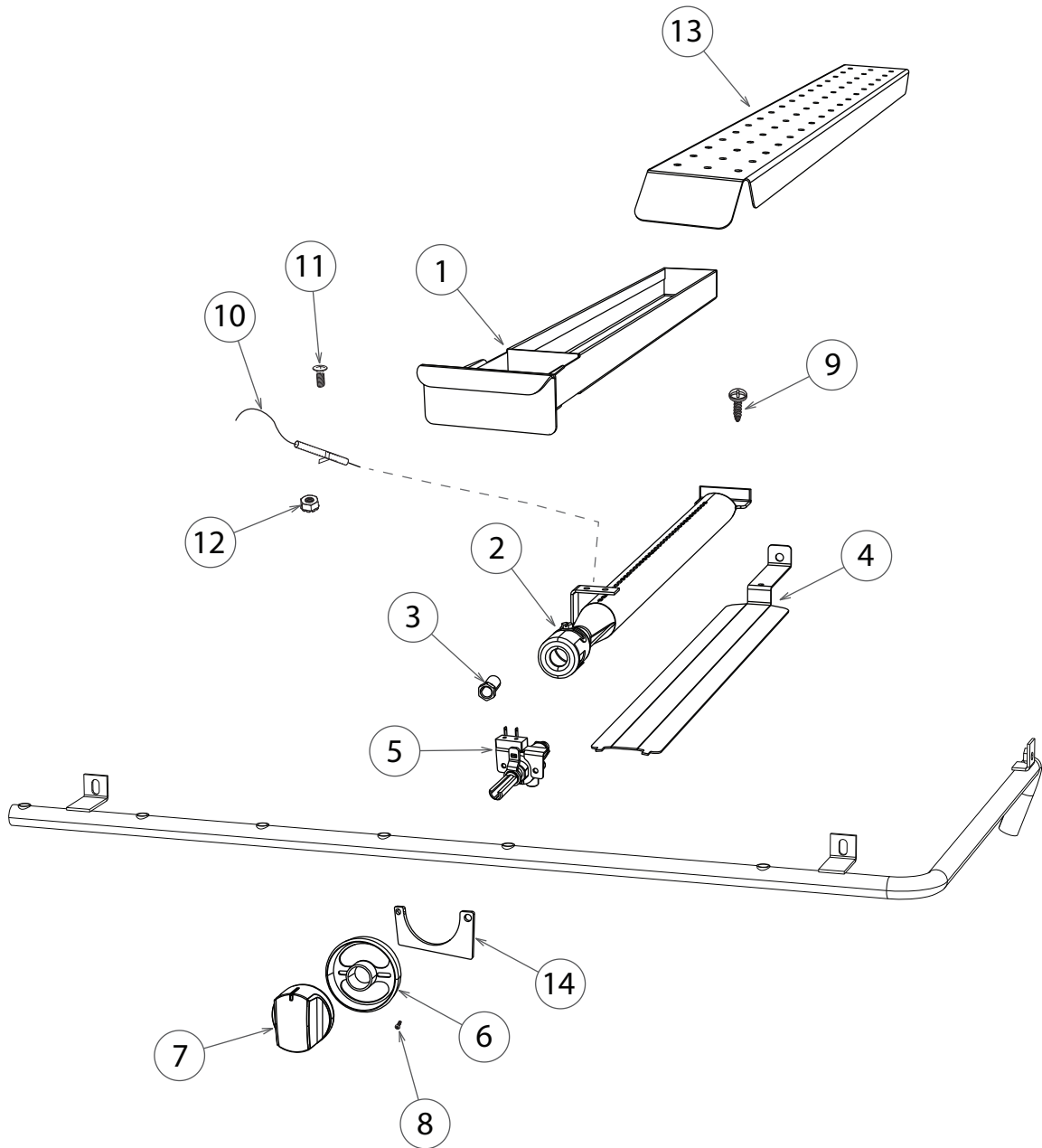


REF.	PART NUMBER	PART DESCRIPTION
1	212340	FORK ROTISSERIE
2	212930	ROTISSERIE ROD
3	212163	HANDLE - ROTIS ROD
4	225051	I/R PROTECTION PLTE BGB36 PORC
5	210357	BURNER I/R 36
6	250130	THERMOCOUPLE BBQ KE200 48
7	250140	CLIP THERMOCOUPLE RETAINER
8	224759	WRAPPER I/R BURNER BGB36
9	213784	ELECTRODE HOUSING W/A L/H
10	211089P	RACK ROLLER (PKD)
11	211389	NUT ACORN 10-24 LOCKING SS
12	250011	ROTISSERIE MOTOR KIT BGB
	<i>Includes 250310</i>	<i>BULB ROTISSERIE MOTOR 120V</i>
	<i>Includes 250062</i>	<i>SWITCH, ON - OFF</i>
	<i>Includes 250076</i>	<i>FLEX HARNESS ROTIS</i>
	<i>Includes 247073</i>	<i>MS 10-32 X 3/8 PH PAN SS</i>
13	250310	BULB ROTISSERIE MOTOR 120V
14	250062	SWITCH, ON - OFF
15	250076	FLEX HARNESS ROTIS
16	211242P	MS 10-24 X 1/2 PHPN TY F SS (10PK)
17	211051	ROTISS MOUNTING ARM
18	221931	TUBE 25 ID SS FLEXIBLE 45 IN
19	250830	BUTTON SAFETY VALVE
20	250831	BEZEL SAFETY VALVE
21	221930	TUBE 25 ID SS FLEXIBLE 7 IN
22	250821	GAS VALVE BGC GREEN
23	250745	BEZEL GRILL DCS
24	250777	DIAL GRILL DCS ASSY
25	211248P	SMS 6-32X 3/8 PH PN TY F SS
26	211046	ROTISS BLOCK
27	250075	FITTING ELBOW IR ASSY
28	220581	JET SPUD LG 0.61MM (73 DMS)
29	221935	ELBOW 3/8 F X 1/4 M FLARE
30	231442	SAFETY VALVE ELBOW ASSY. BGB
	<i>Include 211355</i>	<i>NUT HEX M12 X .75 BRASS</i>
	<i>Include 212199</i>	<i>SAFETY VALVE</i>



REF.	PART NUMBER	PART DESCRIPTION
	<i>Include 221932</i>	<i>FITTING 1/8-27 NPT X 1/4 FLARE</i>
	<i>Include 221933</i>	<i>FITTING 1/8-27 NPT (F) X 1/4 FLARE</i>
<b>31</b>	<b>547084</b>	<b>PAN BROILER 30IN GPHT</b>
<b>32</b>	<b>214398</b>	<b>BRACKET ROTISS SUPPORT L/H</b>
<b>33</b>	<b>214397</b>	<b>BRACKET ROTISS SUPPORT R/H</b>
<b>34</b>	<b>250286P</b>	<b>ELECTRODE ROTIS BUR 1145</b>
<b>35</b>	<b>211245</b>	<b>SM 10-24 X 1/2 TRU TY23 4SS</b>
<b>36</b>	<b>237190</b>	<b>FLANGE BUSHING</b>
<b>37</b>	<b>220807</b>	<b>HB 1/4-20 X 1-1/2 X FULL</b>
<b>38</b>	<b>250296</b>	<b>MS 10-24 X 3/4 PH FLT 100 316SS</b>
<b>39</b>	<b>211332</b>	<b>HB 1/4-20 X 1 X FULL SS</b>
<b>40</b>	<b>211390</b>	<b>ACORN NUT LOCKING 1/4-20 SS</b>
<b>41</b>	<b>250789</b>	<b>PLATE BEZEL SUPPORT BGC</b>





REF.	PART NUMBER	PART DESCRIPTION
<b>1</b>	250802	<b>TRAY CHIP W/A</b>
<b>2</b>	237182	<b>BURNER SMOKER SS</b>
<b>3</b>	220582	<b>JET SPUD LG 1.15MM</b>
<b>4</b>	214010	<b>HEAT SHIELD SMOKER SUPPORT</b>
<b>5</b>	250822	<b>GAS VALVE BGC YELLOW</b>
<b>6</b>	250745	<b>BEZEL GRILL DCS</b>
<b>7</b>	250777	<b>DIAL GRILL DCS ASSY</b>
<b>8</b>	211248P	<b>SMS 6-32X 3/8 PH PN TY F SS</b>
<b>9</b>	211242P	<b>SM 10-24X1/2 PHPN TY F SS 10PK</b>
<b>10</b>	250285P	<b>ELECTRODE SMOKER 815</b>
<b>11</b>	211301	<b>MS 4-40 X 1/4 PHRND SS</b>
<b>12</b>	211358	<b>NUT HEX 4-40 SS</b>
<b>13</b>	250770	<b>COVER CHIP TRAY</b>
<b>14</b>	250789	<b>PLATE BEZEL SUPPORT BGC</b>
<b>NI</b>	70750	<b>KIT CONVERSION LP TO NAT BGB36-BQAR</b>
	<i>Includes 220576</i>	<i>JET SPUD LG 2.44MM (41DMS) x 3</i>
	<i>Includes 220580</i>	<i>JET SPUD LG 0.94MM (63DMS) x 1</i>
	<i>Includes 220578</i>	<i>JET SPUD LG 1.78MM (50DMS) x 1</i>
	<i>Includes 210765</i>	<i>REGULATOR - 4.0 WC x 1</i>
	<i>Includes 212123</i>	<i>1/2 NPT X CLOSE NIPPLE BLK x 1</i>
	<i>Includes 212138</i>	<i>COUPLING 1/2 NPT BLACK x 1</i>
	<i>Includes 212139</i>	<i>FITTING ELBOW 3/8-27 - 9/16-24 x 1</i>
	<i>Includes</i>	<i>INSTRUC LP TO NAT CONV BGB36 x 1</i>
	<i>Includes</i>	<i>CONVERSION LABEL BGB x 1</i>
	<i>Includes 221934</i>	<i>FITTING ELBOW 3/8-27x1/4 FLARE x 1</i>



[www.fisherpaykel.com](http://www.fisherpaykel.com)  
[www.dcsappliances.com](http://www.dcsappliances.com)



Copyright © Fisher & Paykel 2015. All rights reserved.  
The product specifications in this manual apply to the specific model described at the date of issue. Under our policy of continuous product improvement, these specifications may change at any time. Only use this manual if the product code on the front matches the product code on the serial label of the product.