

This Owner's Manual is provided and hosted by [Appliance Factory Parts](#).



# Black & Decker HHVI320JR02 Owner's Manual

[Shop genuine replacement parts for Black & Decker  
HHVI320JR02](#)



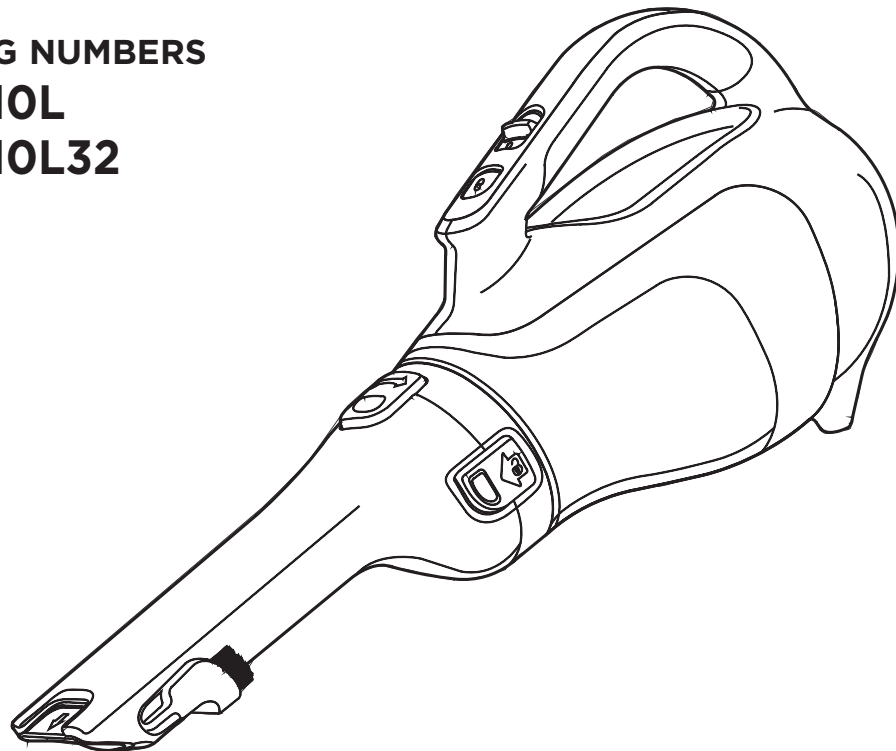
[Find Your Black & Decker Vacuum Cleaner Parts - Select From 339 Models](#)

----- Manual continues below -----

# BLACK+ DECKER

## CORDLESS HAND VAC INSTRUCTION MANUAL

CATALOG NUMBERS  
**CHV1410L**  
**CHV1410L32**



**Thank you for choosing BLACK+DECKER!**

**PLEASE READ BEFORE RETURNING THIS PRODUCT FOR ANY REASON.**

If you have a question or experience a problem with your BLACK+DECKER purchase, go to <http://www.blackanddecker.com/instantanswers>

If you can't find the answer or do not have access to the Internet, call 1-800-544-6986 from 8 a.m. to 5 p.m. EST Mon. - Fri. to speak with an agent.

Please have the catalog number available when you call.

**SAVE THIS MANUAL FOR FUTURE REFERENCE.**

VEA EL ESPAÑOL EN LA CONTRAPORTADA.

INSTRUCTIVO DE OPERACIÓN, CENTROS DE SERVICIO Y PÓLIZA DE GARANTÍA.

ADVERTENCIA: LÉASE ESTE INSTRUCTIVO ANTES DE USAR EL PRODUCTO.

To register your new product, visit  
[www.BlackandDecker.com/NewOwner](http://www.BlackandDecker.com/NewOwner)

## SAFETY GUIDELINES - DEFINITIONS

It is important for you to read and understand this manual. The information it contains relates to protecting YOUR SAFETY and PREVENTING PROBLEMS. The symbols below are used to help you recognize this information.

**⚠ DANGER:** Indicates an imminently hazardous situation which, if not avoided, will result in death or serious injury.

**⚠ WARNING:** Indicates a potentially hazardous situation which, if not avoided, could result in death or serious injury.

**⚠ CAUTION:** Indicates a potentially hazardous situation which, if not avoided, may result in minor or moderate injury.

**NOTICE:** Used without the safety alert symbol indicates potentially hazardous situation which, if not avoided, may result in property damage.

## IMPORTANT SAFETY INSTRUCTIONS

When using an electrical appliances, basic precautions should always be followed, including the following:

### READ ALL INSTRUCTIONS BEFORE USING THIS APPLIANCE.

**⚠ WARNING:** Read all safety warnings and all instructions. Failure to follow the warnings and instructions listed below may result in electric shock, fire and/or serious injury.

**⚠ WARNING:** Some household dust contains chemicals known to the State of California to cause cancer, birth defects or other reproductive harm such as asbestos and lead in lead based paint.

**⚠ WARNING:** To reduce the risk of fire, electrical shock or injury:

- **⚠ WARNING:** To reduce the risk of electric shock – Do not use outdoors or on wet surfaces.
- Do not allow to be used as a toy. Close attention is necessary when used by or near children.
- Use only as described in this manual. Use only manufacturer's recommended attachments.
- Do not use with damaged cord or plug. If appliance is not working as it should, has been dropped, damaged, left outdoors, or dropped into water, return it to a service center.
- Do not pull or carry by cord, use cord as a handle, close a door on cord, or pull cord around sharp edges or corners. Do not run appliance over cord. Keep cord away from heated surfaces.
- Do not unplug by pulling on cord. To unplug, grasp the plug, not the cord.
- Do not handle charger, including charger plug, and charger terminals with wet hands.
- Do not put any object into openings. Do not use with any opening blocked; keep

free of dust, lint, hair, and anything that may reduce air flow.

- Keep hair, loose clothing, fingers, and all parts of body away from openings and moving parts.
- Use extra care when cleaning on stairs.
- Do not use to pick up flammable or combustible liquids, such as gasoline, or use in areas where they may be present.
- Do not pick up anything that is burning or smoking, such as cigarettes, matches, or hot ashes.
- Do not use without dust bag and/or filters in place.
- Do not charge the unit outdoors.
- Use only the charger supplied by the manufacturer to recharge.
- Do not incinerate the appliance even if it is severely damaged. The batteries can explode in a fire.
- This appliance is intended for household use only and not for commercial or industrial use.
- Shock Hazard. To protect against risk of electrical shock, do not put unit or charging base in water or other liquid.
- Do not allow the cord to hang over the edge of a table or counter or touch hot surfaces. The unit should be placed or mounted away from sinks and hot surfaces.
- Plug the charger directly into an electrical outlet.
- Use the charger only in a standard electrical outlet (120V/60Hz).
- Unplug the charger from outlet before any routine cleaning or maintenance.
- This product includes rechargeable nickel cadmium batteries. Do not incinerate batteries as they will explode at high temperatures.
- Leaks from battery cells can occur under extreme conditions. If the liquid, which is a 20-35% solution of potassium hydroxide, gets on the skin (1) wash quickly with soap and water or (2) neutralize with a mild acid such as lemon juice or vinegar. If the liquid gets into the eyes, flush them immediately with clean

water for a minimum of 10 minutes. Seek medical attention.

- Do not look into the air vents when the unit is switched on, as sometimes there is a possibility of small debris being discharged from the air vents, especially after cleaning / replacement of the filters as debris inside the unit can be disturbed.

## ADDITIONAL SAFETY WARNINGS

- Prevent unintentional starting. Ensure the switch is in the off-position before connecting to battery pack, picking up or carrying the appliance. Carrying the appliance with your finger on the switch or energizing appliance that have the switch on invites accidents.**
- Recharge only with the charger specified by the manufacturer. A charger that is suitable for one type of battery pack may create a risk of fire when used with another battery pack.**
- Do not use a battery pack or appliance that is damaged or modified. Damaged or modified batteries may exhibit unpredictable behavior resulting in fire, explosion or risk of injury.**
- Do not expose a battery pack or appliance to fire or excessive temperature. Exposure to fire or temperature above 266°F (130°C) may cause explosion.**
- Have servicing performed by a qualified repair person using only identical replacement parts. This will ensure that the safety of the product is maintained.**

**⚠ WARNING:** Do not attempt to modify or repair the appliance

## SAVE THESE INSTRUCTIONS

### Symbols

- The label on your tool may include the following symbols. The symbols and their definitions are as follows:

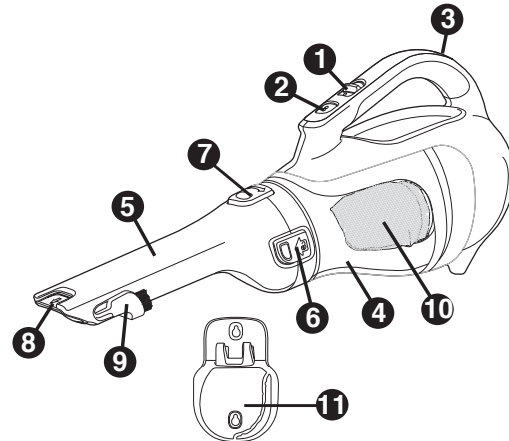
- V.....volts
- A.....amperes
- Hz.....hertz
- W.....watts
- min .....minutes
- ~ or AC..... alternating current
- == or DC ..direct current
- $n_0$ .....no load speed
- Ⓛ .....Class I Construction (grounded)
- Ⓧ .....earthing terminal
- ⚠ .....safety alert symbol
- Ⓜ .....Class II Construction (double insulated)
- .../min or rpm...revolutions or reciprocation per minute

## FUNCTIONAL DESCRIPTION

- On/off switch
- Bowl release button
- Charging indicator
- Dust bowl
- Nozzle
- Nozzle release button
- Nozzle rotating button
- Extendable crevice tool
- Flip-up Brush
- Cloth filter
- Wall mount bracket

### CHV1410L ONLY

- Plastic prefilter
- Charger base



### CHV1410L ONLY



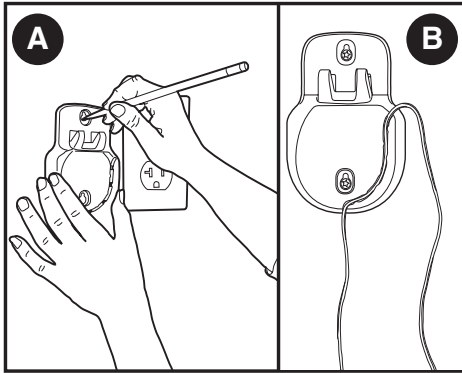
## Assembly

**⚠ WARNING:** Do not attempt to modify or repair the appliance

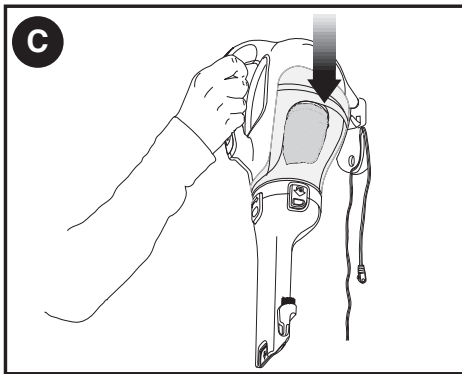
### Wall Mounting (CHV1410L32)

The product can be wall mounted, if desired, using the wall mount bracket, screws and anchors supplied. To wall mount the vac, refer to **figures A, B, C and D.**

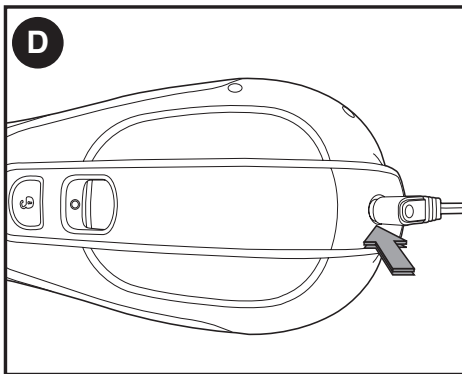
- **Figure A** - Mark the location of the screw holes (within reach of an electrical outlet for charging the vac while it is on the wall bracket).
- **Figure B** - Insert the charger cord into the curved slot in the wall mount bracket leaving approximately 8-9 inches (203mm - 227mm) excess as shown.



- **Figure C** - Hang the vac on the wall by placing the opening on the base of the vac over the hooks in the wall mount bracket as shown in **figure C**.



- **Figure D** - Insert the jack plug into the charging socket.

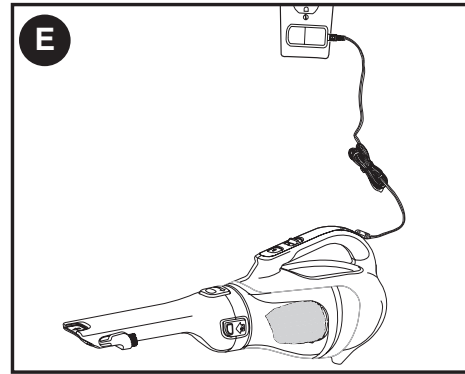


### Charging the battery (CHV1410L32)

**⚠ WARNING:** For use only with the supplied charger. From new, the rechargeable cells of the product need a minimum charge time of 9 hours to ensure full power. The charge is complete when the charging indicator lights continuously. The charger and the battery can be left connected indefinitely with the LED illuminated. The LED will change to flashing (charging) state as the charger occasionally tops off the battery charge.

- The switch must be in the off ("O") position, the product will not charge if it is in any other position.

- **Figure E** - Plug the jack plug of the charger into the charging socket of the tool. Plug the charger into any standard 120 Volt 60 Hz electrical outlet.



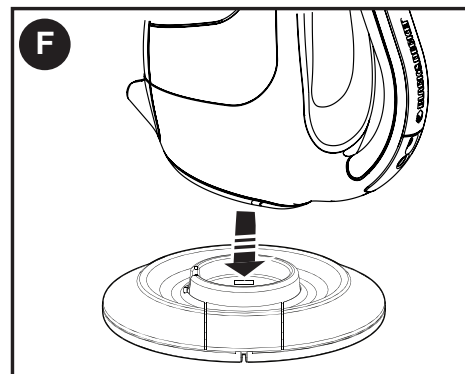
While charging, the charger may get warm, this is perfectly normal and safe. It is safe to leave the appliance connected to the charger indefinitely. The charger automatically reduces power consumption when charging is complete.

- **⚠ WARNING:** Do not charge the battery at ambient temperatures below 39°F (4°C) or above 104°F (40°C).

### Charging the battery (CHV1410)

**⚠ WARNING:** Do not charge the battery at ambient temperatures below 39°F (4°C) or above 104°F (40°C). The charge is complete when the charging indicator lights continuously. The charger and the battery can be left connected indefinitely with the LED illuminated. The LED will change to flashing (charging) state as the charger occasionally tops off the battery charge.

- Charge discharged batteries within 1 week. Battery life will be greatly diminished if stored in a discharged state.
- Place the appliance on the charging base as shown.
- Plug in the charger. The charging indicator will flash continuously (slowly).
- Leave the appliance to charge.



While charging, the charger may get warm, this is perfectly normal and safe. The charging indicator will be lit as long as the appliance is connected to the plugged-in charger. It can remain on charge indefinitely without damage or danger. It is not possible to “overcharge” the battery cells with the charger provided.

### Battery diagnostics

If the appliance detects a weak battery, the charging indicator will flash at a fast rate.

Proceed as follows:

- Place the appliance on the charging base.
- Plug in the charger.
- Leave the appliance to charge.

If the appliance detects a damaged battery, the charging indicator will flash at a fast rate when the appliance is on the charger base.

Proceed as follows:

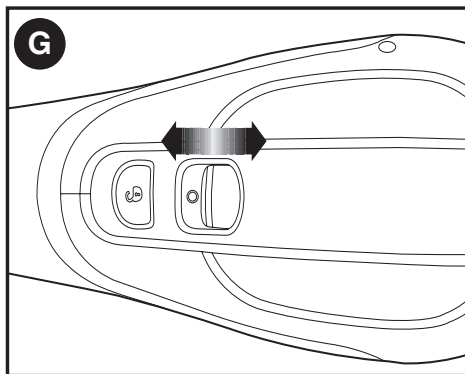
- Take the appliance and the charger to be tested at an authorized service facility.

**Note: It may take as long as 60 minutes to determine that the battery is defective. If the battery is too hot or too cold, the LED will alternately blink, fast and slow, one flash at each speed and repeat.**

### Use

#### Switching on and off

- **Figure G** - To start, slide the On/Off switch forward (i.e. “O” = Off, “I” = On).
- To stop, slide the switch back.
- Return the product to the charger immediately after use so that it will be ready and fully charged for the next use. Ensure that the product is fully engaged with the charger base.



#### Cleaning and emptying the product

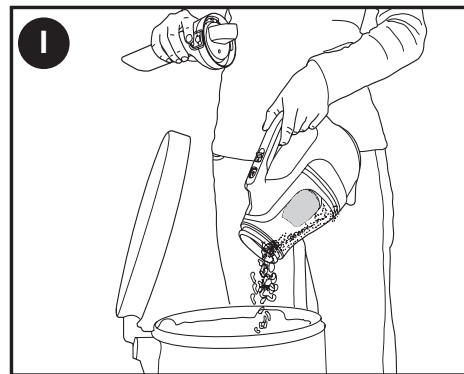
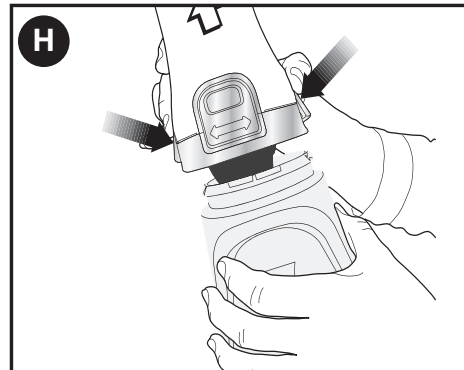
**⚠ WARNING:** Projectile/Respiratory Hazard: Never use the vac without its filter.

**NOTE:** The filter is re-usable, do not confuse it with a disposable dust bag, and do not throw it away when the product is emptied. We recommend that you replace the filter every 6-9 months depending on frequency of use. There are two methods of cleaning the bowl,

a quick empty method and a thorough clean method.

#### For a quick empty (figures H, I)

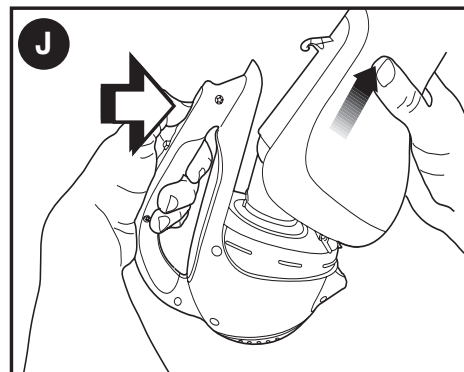
- **Figure H** - Press in on both nozzle release buttons on the sides of the nozzle and remove the nozzle by pulling straight off.
- **Figure I** - Empty the dust from the bowl.
- For a more thorough cleaning, remove bowl as described in figures J - M.



#### Removing the dust bowl and filters (figures J - M)

**⚠ WARNING:** The filter is reusable and should be cleaned regularly.

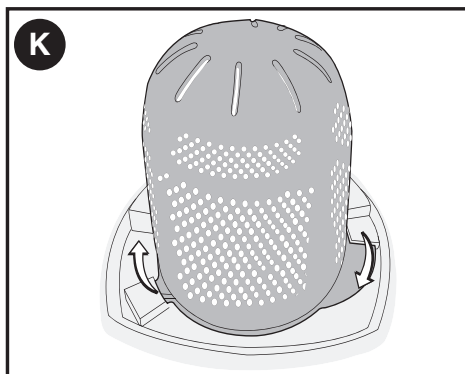
- **Figure J** - Press the release latch and pull the dust bowl straight off.



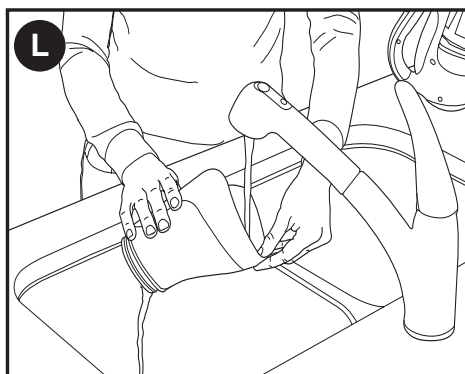
- While holding the dust bowl over a bin or sink, pull out the filter to empty the contents of the bowl.
- To replace the dust bowl, place it back onto the handle until it “clicks” firmly into position.

**⚠ WARNING:** Never use the appliance without the filter. Optimum dust collection will only be achieved with clean filter.

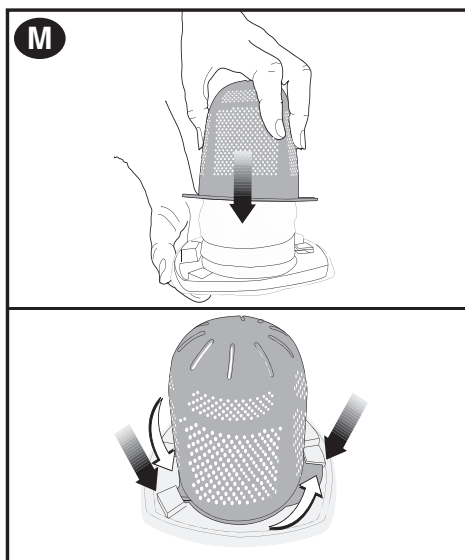
- **Figure K (CHV1410L ONLY)** - This vacuum has a plastic pre-filter and an inner cloth filter. To separate the cloth filter from the plastic filter, twist the plastic filter in a clockwise direction.
- Remove the inner cloth filter and shake or lightly brush any loose dust off both filters.



- **Figure L** - The dust bowl and filter can be washed in warm soapy water. Allow to dry before placing back into the vac.



- **Figure M** - To replace the filters, slide the outer plastic filter over the cloth filter.
- Align the wings of the plastic filter with the slots in the cloth filter and twist in a counterclockwise direction.



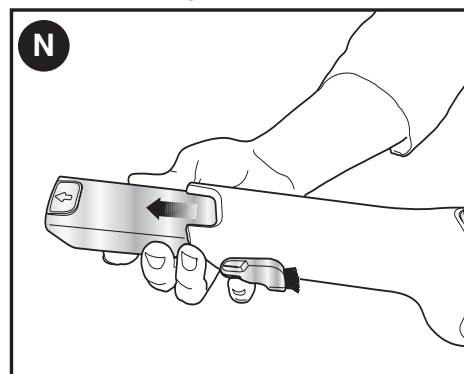
- Place filters back into the bowl pressing firmly to ensure a secure fit.
- To replace dust bowl, place it back onto the handle until it “clicks” firmly into position.

**IMPORTANT:** Maximum dust collection will only be obtained with a clean filter and an empty dust bowl. If dust begins to fall back out of the product after it is switched off, this indicates that the bowl is full and requires emptying.

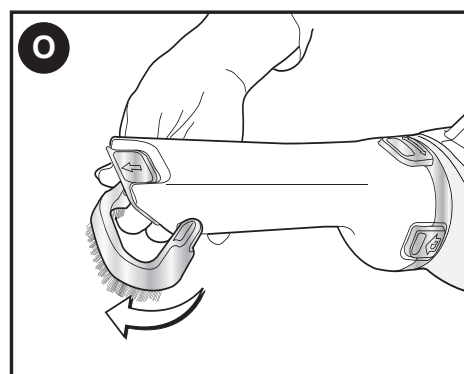
- Wash the filter regularly using warm, soapy water and ensure that they are completely dry before using again. The cleaner the filter is, the better the product will perform.
- It is very important that the filter is correctly in position before use.

### Nozzle / Accessories

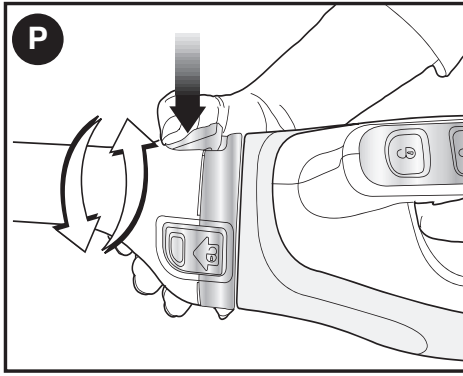
- **Figure N** - A crevice tool is built into the nozzle and can be extended as shown in **figure N** by pulling the extension piece until it locks into position.



- **Figure O** - A brush accessory is built into the nozzle and can be flipped upwards for use.



- **Figure P** - The nozzle can be rotated for better access in tight spots. To rotate the nozzle, press the button shown in **Figure P** and rotate the nozzle to the left or right until it clicks into place.



## Replacing the filter

The filter should be replaced every 6 to 9 months and whenever worn or damaged. Replacement filters are available from your BLACK+DECKER dealer.

Visit [www.blackanddecker.com](http://www.blackanddecker.com) to locate dealers.

- Remove the old filters as described above.
- Fit the new filters as described above.

## Maintenance

Bowls and filters can be washed thoroughly; however, use only mild soap and a damp cloth to clean the main part of the vacuum.

**IMPORTANT:** To assure product SAFETY and RELIABILITY, repairs, maintenance and adjustment (other than those listed in this manual) should be performed by authorized service centers or other qualified service personnel, always using identical replacement parts.

## Troubleshooting

If the product does not work, check the following:

- The charge indicator light is flashing when unit is connected to charger.
- The charger was correctly plugged in for recharge. (It feels slightly warm to the touch.)
- The charger cord is not damaged and is correctly attached.
- The charger is plugged into a working electrical outlet.
- The switch is in the "OFF" position when charging.

For assistance with your product, visit our website [www.blackanddecker.com](http://www.blackanddecker.com) for the location of the service center nearest you or call the BLACK+DECKER help line at **1-800-544-6986**.

## Accessories

Recommended accessories for use with your product are available from your local dealer or authorized service center. If you need assistance regarding accessories, please call: **1-800-544-6986**.

- Filter accessory number VF110.

**⚠ WARNING:** The use of any accessory not recommended for use with this product could be hazardous.

## Battery Removal and Disposal

This product uses Lithium Ion rechargeable and recyclable batteries. When the batteries no longer hold a charge, they should be removed from the Vac and recycled. They must not be incinerated or composted.

The batteries can be taken for disposal to a BLACK+DECKER, Company-Owned or Authorized Service Center. Some local retailers are also participating in a national recycling program (see "RBRC™ Seal"). Call your local retailer for details. If you bring the batteries to a BLACK+DECKER Company-Owned or Authorized Service Center, the Center will arrange to recycle old batteries. Or, contact your local municipality for proper disposal instructions in your city/town.

To remove the battery pack for disposal:

- 1.) First, before attempting to disassemble the product, turn it on and leave it on until the motor completely stops insuring a complete discharge of the batteries.
- 2.) Using a phillips screwdriver, remove the seven screws securing the two housing halves.
- 3.) Lift the housing cover away from the assembly.
- 4.) Detach all lead connections from battery pack.
- 5.) Remove battery pack and dispose of as per recommended guidelines.

## The RBRC™ Seal

The RBRC® (Rechargeable Battery Recycling Corporation) Seal on the lithium-ion batteries (or battery packs) indicates that the costs to recycle these batteries (or battery packs) at the end of their useful life have already been paid by BLACK+DECKER. In some areas, it is illegal to place spent lithium-ion batteries in the trash or municipal solid waste stream and the Call 2 Recycle® program provides an environmentally conscious alternative. Call 2 Recycle, Inc., in cooperation with BLACK+DECKER and other battery users, has established the program in the United States and Canada to facilitate the collection of spent lithium-ion batteries. Help protect our environment and conserve natural resources by returning the spent nickel cadmium, nickel metal hydride or lithium-ion batteries to an authorized BLACK+DECKER service center or to your local retailer for recycling. You may also contact your local recycling center for information on where to drop off the spent battery. RBRC® is a registered trademark of Call 2 Recycle, Inc.



## Service Information

All BLACK+DECKER Service Centers are staffed with trained personnel to provide customers with efficient and reliable power tool service. Whether you need technical advice, repair, or genuine factory replacement parts, contact the BLACK+DECKER location nearest you. To find your local service location, call: **1-800-544-6986** or visit [www.blackanddecker.com](http://www.blackanddecker.com)

## TWO-YEAR LIMITED WARRANTY

Black & Decker (U.S.) Inc. warrants this product to be free from defects in material or workmanship for a period of two (2) years following the date of purchase, provided that the product is used in a home environment. This limited warranty does not cover failures due to abuse, accidental damage or when repairs have been made or attempted by anyone other than BLACK+DECKER and its Authorized Service Centers. A defective product meeting the warranty conditions set forth herein will be replaced or repaired at no charge in either of two ways: The first, which will result in exchanges only, is to return the product to the retailer from whom it was purchased (provided that the store is a participating retailer). Returns should be made within the time period of the retailer's policy for exchanges. Proof of purchase may be

required. Please check with the retailer for its specific return policy regarding time limits for returns or exchanges. The second option is to take or send the product (prepaid) to a BLACK+DECKER owned or authorized Service Center for repair or replacement at BLACK+DECKER's option. Proof of purchase may be required. BLACK+DECKER owned and authorized service centers are listed online at [www.blackanddecker.com](http://www.blackanddecker.com).

This warranty does not apply to accessories. This warranty gives you specific legal rights and you may have other rights which vary from state to state. Should you have any questions, contact the manager of your nearest BLACK+DECKER Service Center. This product is not intended for commercial use, and accordingly, such commercial use of this product will void this warranty. All other guarantees, express or implied, are hereby disclaimed.

**LATIN AMERICA:** This warranty does not apply to products sold in Latin America. For products sold in Latin America, check country specific warranty information contained in the packaging, call the local company or see the website for such information.

### FREE WARNING LABEL

**REPLACEMENT:** If your warning labels become illegible or are missing, call **1-800-544-6986** for a free replacement.

Imported by  
Black & Decker (U.S.) Inc.,  
701 E. Joppa Rd.  
Towson, MD 21286 U.S.A.



# BLACK+ DECKER

## ASPIRATEUR PORTATIF SANS FIL

### MODE D'EMPLOI

#### N° DE CATALOGUE

**CHV1410L, CHV1410L32**

Merci d'avoir choisi BLACK+DECKER! Consulter le site Web [www.BlackandDecker.com/NewOwner](http://www.BlackandDecker.com/NewOwner) pour enregistrer votre nouveau produit. **À LIRE AVANT DE RETOURNER CE PRODUIT POUR QUELQUE RAISON QUE CE SOIT :**

Si des questions ou des problèmes surgissent après l'achat d'un produit BLACK+DECKER, consulter le site Web [www.blackanddecker.com/instantanswers](http://www.blackanddecker.com/instantanswers) pour obtenir des réponses instantanément 24 heures par jour. Si la réponse est introuvable ou en l'absence d'accès à l'Internet, composer le 1 800 544-6986 de 8 h à 17 h HNE, du lundi au vendredi, pour parler avec un agent. Prière d'avoir le numéro de catalogue sous la main lors de l'appel.

Pour l'achat d'un filtre de rechange composer le 1-888-678-7278  
**CONSERVER CE MODE D'EMPLOI POUR UN USAGE ULTÉRIEUR.**

Consulter le site Web [www.BlackandDecker.com/NewOwner](http://www.BlackandDecker.com/NewOwner) pour enregistrer votre nouveau produit.

### LIGNES DIRECTRICES EN MATIÈRE DE SÉCURITÉ - DÉFINITIONS

Il est important que vous lisiez et compreniez ce mode d'emploi. Les informations qu'il contient concernent VOTRE SÉCURITÉ et visent à ÉVITER TOUT PROBLÈME. Les symboles ci-dessous servent à vous aider à reconnaître cette information.

**⚠ DANGER :** Indique une situation dangereuse imminente qui, si elle n'est pas évitée, causera la mort ou des graves blessures.

**⚠ AVERTISSEMENT :** Indique une situation potentiellement dangereuse qui, si elle n'est pas évitée, pourrait causer la mort ou de graves blessures.

**⚠ MISE EN GARDE :** Indique une situation potentiellement dangereuse qui, si elle n'est pas évitée, pourrait causer des blessures mineures ou modérées.

**AVIS :** Utilisé sans le symbole d'alerte à la sécurité, indique une situation potentiellement dangereuse qui, si elle n'est pas évitée, peut résulter en des dommages à la propriété.

# CONSIGNES DE SÉCURITÉ IMPORTANTES

Lors de l'utilisation d'appareils électriques, toujours observer des précautions de base, notamment les suivantes :

**LIRE TOUTES LES CONSIGNES AVANT D'UTILISER L'APPAREIL ÉLECTRIQUE.**

## ⚠ **AVERTISSEMENT :**

Lire tous les avertissements de sécurité et toutes les consignes. Le non-respect des avertissements et des directives ci-dessous peut entraîner des risques de choc électrique, d'incendie ou de blessures graves.

## ⚠ **AVERTISSEMENT :**

Certaines poussières domestiques contiennent des produits chimiques identifiés par l'État de Californie comme pouvant causer le cancer, des anomalies congénitales et d'autres dangers pour la reproduction, tels que l'amiante et le plomb contenu dans les peintures au plomb.

## ⚠ **AVERTISSEMENT :**

Pour réduire les risques d'incendie, de choc électrique ou de blessures :

## ⚠ **AVERTISSEMENT :**

Afin de réduire le risque de choc électrique, ne pas utiliser à l'extérieur ou sur une surface mouillée.

- Ne pas permettre l'utilisation de l'appareil comme jouet. Une étroite surveillance est nécessaire si l'appareil est utilisé par des enfants ou près de ceux-ci.
- Utiliser l'appareil uniquement selon les indications données dans le présent manuel. Utiliser uniquement les accessoires recommandés par le fabricant.
- Ne pas utiliser l'appareil si sa fiche ou son cordon est endommagé. Si un appareil ne fonctionne pas comme il devrait, s'il est tombé au sol ou dans l'eau, s'il est endommagé ou s'il a été laissé à l'extérieur, l'envoyer à un centre de réparation.
- Ne pas tirer sur le cordon, ni transporter l'outil par le cordon, ne pas utiliser le cordon comme poignée, ni fermer une porte dessus, ni tirer le cordon contre des bords tranchants ou des coins. Ne pas passer l'appareil sur le cordon. Tenir le cordon éloigné des surfaces chauffées.
- Ne pas débrancher l'appareil en tirant sur son cordon. Pour le débrancher, saisir la fiche et non le cordon.
- Ne pas manipuler la fiche si vous avez les mains mouillées.
- Ne pas insérer d'objet dans les ouvertures de l'appareil. Ne pas utiliser l'appareil si

ses ouvertures sont bouchées; les tenir exemptes de poussière, de peluche, de cheveux et de toute chose pouvant réduire la circulation d'air.

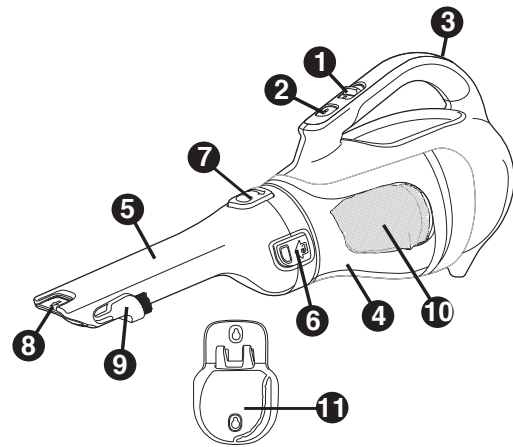
- Tenir les cheveux, les vêtements, les doigts et toutes les parties du corps à distance des ouvertures et des pièces mobiles.
- Être très prudent lors du nettoyage des escaliers.
- Ne pas utiliser cet appareil pour ramasser des liquides inflammables ou des combustibles comme de l'essence et ne pas l'utiliser dans les endroits où ces substances sont présentes.
- Ne pas ramasser de matières brûlantes ou fumantes comme des cigarettes, des allumettes ou des cendres chaudes.
- Utiliser uniquement l'appareil si le sac à poussière, les filtres ou les deux sont en place.
- Ne pas charger l'appareil à l'extérieur.
- L'appareil est conçu pour une utilisation domestique seulement et non industrielle ou commerciale.
- Risque de décharge électrique. Afin de se protéger contre les risques de décharge électrique, ne pas immerger l'appareil dans l'eau ou tout autre liquide.
- Ne pas laisser le cordon pendre sur le bord d'une table ou d'un comptoir, ni toucher des surfaces chaudes. L'appareil doit être placé ou fixé loin de tout évier et de toute surface chaude.
- Brancher l'appareil directement dans une prise électrique.
- Brancher uniquement l'appareil dans une prise électrique d'automobile standard.
- Débrancher l'appareil avant tout nettoyage ou entretien de routine.
- Ne pas regarder dans les événements lorsque l'appareil est en marche, car il arrive parfois que de petits débris s'échappent, surtout après un nettoyage ou un remplacement de filtre qui aurait tendance à les libérer.

# CONSIGNES DE SÉCURITÉ ADDITIONNELLES

- Prévenir tout démarrage accidentel. S'assurer que l'interrupteur est en position d'arrêt avant de connecter l'appareil à un bloc-piles, et avant de le saisir ou de le transporter.** Transporter un appareil le doigt sur l'interrupteur, ou l'alimenter alors que l'interrupteur est en position de marche, invite les accidents.
- Le recharger seulement avec le chargeur spécifié par le fabricant.** Un chargeur propre à un type de bloc-piles peut créer des risques d'incendie lorsqu'utilisé avec d'autres blocs-piles.
- Ne pas utiliser un bloc-piles ou un appareil endommagé ou modifié.** Un

bloc-piles endommagé ou modifié pourrait se comporter de façon imprévisible et poser des risques d'incendie, d'explosion ou de dommages corporels.

- d) **Ne pas exposer un bloc-piles ou un appareil au feu, ou à des températures excessives.** Toute exposition au feu ou à des températures supérieures à 130 °C (266 °F) pose des risques d'explosion.
- e) **Faire entretenir cet appareil par un réparateur qualifié qui n'utilisera que des pièces de rechange identiques.** Cela permettra d'assurer l'intégrité du produit et la sécurité de l'utilisateur.



## CONSERVER CES DIRECTIVES

### Symboles

- L'étiquette apposée sur votre outil pourrait comprendre les symboles suivants. Les symboles et leurs définitions sont indiqués ci-après :

- V ..... volts
- A ..... ampères
- Hz ..... hertz
- W ..... watts
- min ..... minutes
- ~ ou AC .... courant alternatif
- == ou DC.. courant continu
- n<sub>0</sub> ..... sous vide
- Ⓜ ..... Construction de classe I
- Ⓧ ..... borne de mise à la minute (mis à la terre)
- ..... Construction de classe II
- ⚠ ..... symbole d'avertissement
- .../min..... tours à la minute

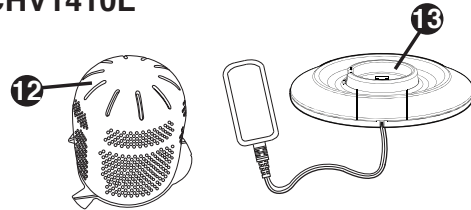
## DESCRIPTION FONCTIONNELLE

- Interrupteur marche/arrêt
- Bouton de dégagement du réservoir
- Indicateur de charge
- Réservoir à poussière
- Buse
- Bouton de dégagement de la buse
- Bouton de rotation de la buse
- Suceur plat extensible
- Brosse escamotable
- Filtre de tissu
- Support pour montage mural

### CHV1410L

- Préfiltre de plastique
- Base de charge

### CHV1410L



## Assemblage

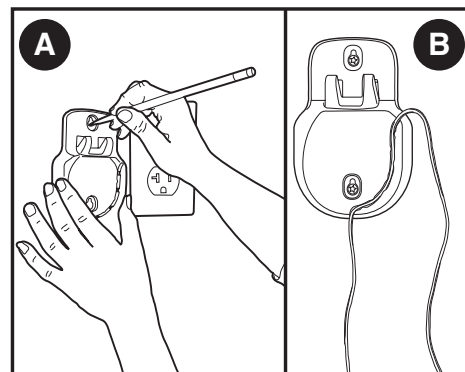
### ⚠ AVERTISSEMENT :

ne pas tenter de modifier ou réparer l'appareil.

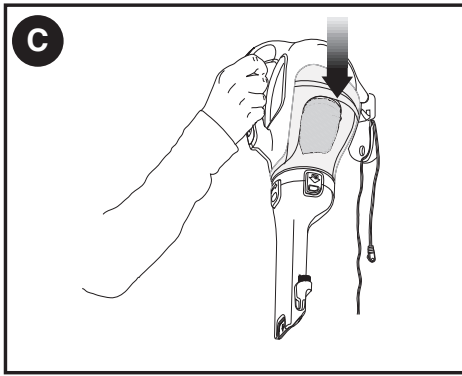
### Montage mural

Si nécessaire, ce produit peut être monté au mur à l'aide du support pour montage mural, des vis et des dispositifs d'ancrage (fournis). Pour le montage mural de l'aspirateur, consulter les **figures A, B, C et D**.

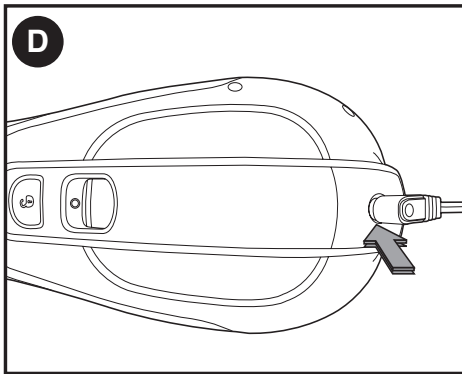
- Figure A** - Marquer l'emplacement des trous pour les vis (à proximité d'une prise électrique pour permettre la charge de l'aspirateur lorsqu'il est sur le support mural).
- Figure B** - Insérer le cordon du chargeur dans la fente courbe du support de montage mural, en laissant dépasser environ 203 à 227 mm (8 à 9 pouces) comme indiqué.



- Figure C** - Suspender l'aspirateur au mur en plaçant l'ouverture à la base de l'aspirateur sur les crochets du support de montage mural, comme indiqué sur la **figure C**.



- **Figure D** - Insérer le connecteur mâle dans la prise femelle.



### Charge de la pile (CHV1410L32)

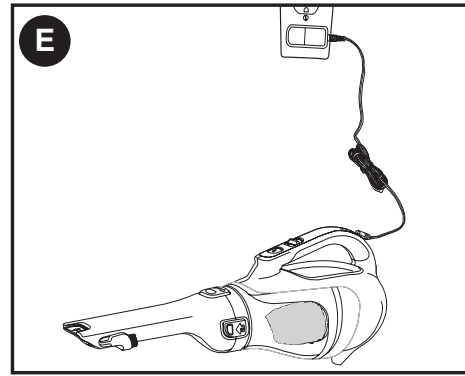
#### ⚠ **AVERTISSEMENT :**

à n'utiliser qu'avec le chargeur fourni avec l'appareil.

Les piles rechargeables neuves de ce dispositif doivent être chargées pendant au moins 9 heures afin d'assurer une puissance maximale. On recommande de décharger complètement le dispositif lorsqu'on l'utilise pour la première fois pour permettre aux piles de se recharger plus rapidement.

La charge est complète lorsque l'indicateur de charge s'allume et reste allumé. Le chargeur et la pile peuvent être laissés branchés indéfiniment avec le voyant DEL allumé. Le voyant DEL pourra retourner à l'état de clignotement (charge), car le chargeur va occasionnellement compléter la charge de la pile.

- L'interrupteur doit être en position d'arrêt (« O »), sinon le produit ne se chargera pas.
- **Figure E** - Brancher le connecteur mâle du chargeur dans la prise femelle de l'appareil. Brancher le chargeur dans une prise électrique standard de 120 volts, 60 Hz. L'indicateur de charge s'allume.



Durant le chargement, le chargeur peut devenir chaud; ceci est tout à fait normal et ne présente aucun danger. Il est sécuritaire de laisser l'appareil branché au chargeur indéfiniment. Le chargeur réduit automatiquement la consommation électrique lorsque la charge est complète.

#### ⚠ **AVERTISSEMENT :**

Ne pas charger la batterie à des températures ambiantes inférieures à 4 °C (39 °F) ou supérieures à 40 °C (104 °F).

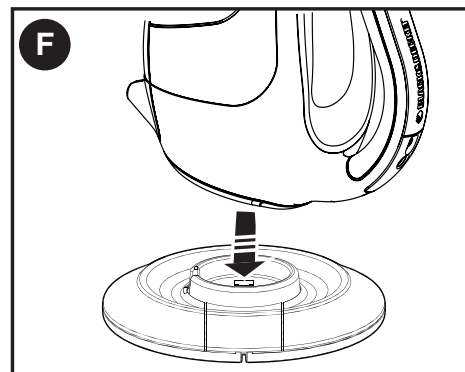
### Charge de la pile (CHV1410L)

#### ⚠ **AVERTISSEMENT :**

Ne pas charger la pile à des températures ambiantes inférieures à 4 °C (39 °F) ou supérieures à 40 °C (104 °F).

La charge est complète lorsque l'indicateur de charge s'allume et reste allumé. Le chargeur et la pile peuvent être laissés branchés indéfiniment avec le voyant DEL allumé. Le voyant DEL pourra retourner à l'état de clignotement (charge), car le chargeur va occasionnellement compléter la charge de la pile.

- Recharger les piles déchargées dans un délai d'une semaine. La durée de vie utile de la pile sera considérablement réduite si elle est entreposée déchargée.
- Placer l'appareil sur la base de charge comme dans l'illustration.
- Brancher le chargeur. L'indicateur de charge clignotera continuellement (lentement).
- Laisser l'appareil se charger.



Durant la charge, le chargeur peut devenir chaud; ceci est tout à fait normal et ne présente aucun danger. L'indicateur de charge reste allumé aussi longtemps que l'appareil est relié au chargeur branché. Il peut être chargé indéfiniment sans danger ni risque de dommages. Il est impossible de « surcharger » les cellules de la pile avec le chargeur fourni.

### Diagnostic de la pile

Si l'appareil détecte une pile faible, l'indicateur de charge clignote rapidement dès qu'on enfonce le bouton d'alimentation (1). Procéder comme suit :

- Placer l'appareil sur la base de charge.
- Brancher le chargeur.
- Laisser l'appareil se charger.

Si l'appareil détecte une pile endommagée, l'indicateur de charge clignote rapidement dès que l'appareil est inséré sur la base de charge. Procéder comme suit :

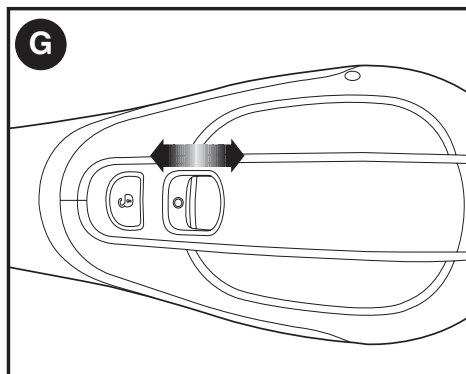
- Confier l'appareil et le chargeur à un centre de service autorisé pour effectuer un test.

**Remarque :** Il faudra au plus 60 minutes pour découvrir si la pile est défectueuse. Si la pile est trop chaude ou trop froide, le voyant DEL clignote rapidement et lentement, en alternance, de manière répétée.

### Utiliser

#### Mise en marche et arrêt

- **Figure G** - Pour démarrer l'appareil, faire glisser l'interrupteur à glissière marche/arrêt vers l'avant (c.-à-d., « O » = arrêt, « I » = marche).
- Pour l'arrêter, faire glisser l'interrupteur vers l'arrière.
- Remettre l'appareil sur le chargeur immédiatement après son utilisation afin de le maintenir complètement chargé pour la prochaine utilisation. S'assurer que la fiche du chargeur est complètement enfoncée dans la prise de l'appareil.



### Nettoyage et vidage de l'appareil

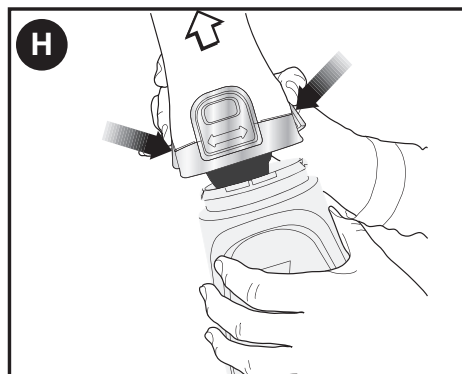
#### ⚠ **AVERTISSEMENT :**

**Danger de projectiles/Danger pour les voies respiratoires :** Ne jamais utiliser l'appareil sans filtre.

**REMARQUE :** Le filtre est réutilisable (ne pas confondre avec un sac à poussière jetable). Ne pas le jeter en vidant l'appareil. Il est recommandé de remplacer le filtre tous les 6 à 9 mois selon la fréquence d'utilisation. Il existe deux méthodes de nettoyage du réservoir, à savoir une méthode de vidage rapide et une méthode de nettoyage en profondeur.

#### Pour un vidage rapide (figures H, I)

- **Figure H** - Enfoncer les deux boutons de dégagement de la buse situés sur les côtés de la buse et tirer sur la buse pour la dégager.
- **Figure I** - Vider la poussière du réservoir.
- Pour un nettoyage en profondeur, retirer le réservoir comme le décrivent les figures J - M.

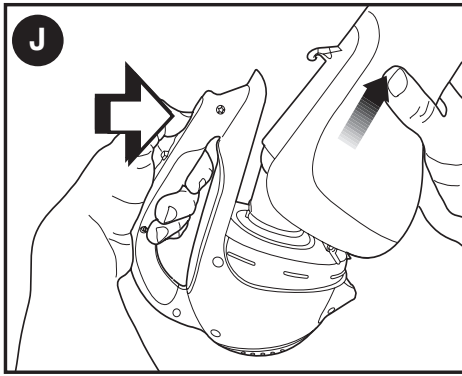


#### Pour un nettoyage approfondi (figures J - M)

#### ⚠ **AVERTISSEMENT :**

Les filtres sont réutilisables et doivent être nettoyés régulièrement.

- **Figure J** - Enfoncer le loquet d'ouverture, puis retirer le réservoir en ligne droite.

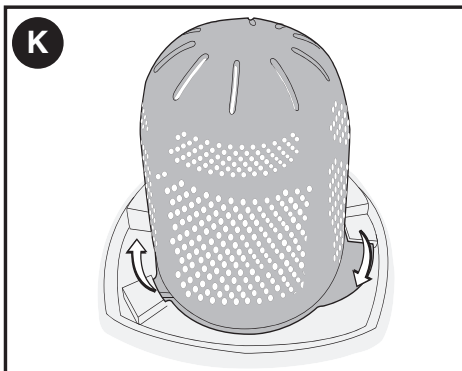


- Tenir le réservoir à poussière au-dessus d'une poubelle ou d'un évier, puis retirer le filtre pour vider le contenu du réservoir.
- Pour réinstaller le réservoir à poussière, le remettre sur la poignée de manière à ce qu'il s'enclenche en position.

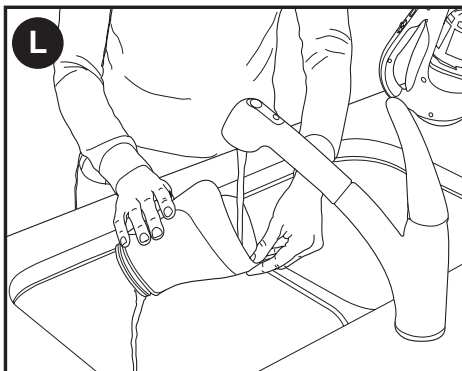
### **⚠ AVERTISSEMENT :**

Ne jamais utiliser l'appareil sans les filtres. Une aspiration optimale des poussières ne sera obtenue qu'avec des filtres propres.

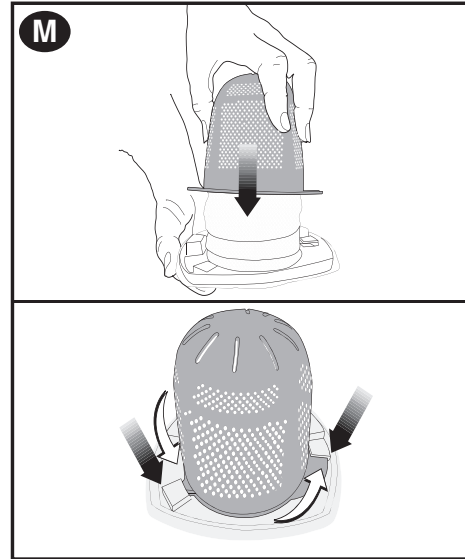
- **Figure K - (CHV1410L)** Ce vide sont équipés d'un préfiltre en plastique et d'un filtre intérieur en tissu. Pour séparer le filtre en tissu du filtre en plastique, tourner ce dernier dans le sens horaire.
- Retirer le filtre intérieur en tissu, puis secouer ou brosser légèrement les deux filtres pour enlever la poussière en surface.



- **Figure L** - Il est possible de laver les réservoirs à poussière et les filtres à l'eau savonneuse tiède. Les laisser sécher avant de les remettre dans l'aspirateur.



- **Figure M** - Pour remplacer les filtres, faire glisser le filtre extérieur en plastique sur le filtre en tissu.
- Aligner les volets du filtre en plastique sur les fentes du filtre en tissu, puis tourner dans le sens antihoraire.



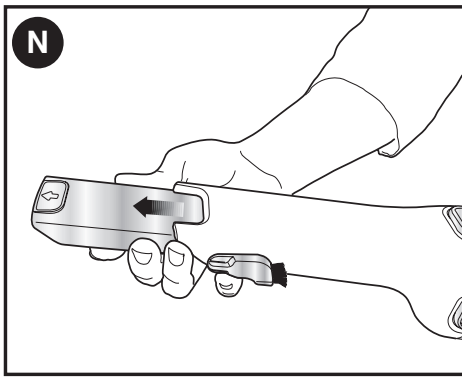
- Remettre les filtres dans le réservoir en appuyant fermement pour s'assurer qu'ils sont solidement fixés.
- Pour réinsérer le réservoir à poussière, le déposer sur la poignée et l'enclencher fermement en position jusqu'à ce qu'un déclic se fasse entendre.

**IMPORTANT:** Le rendement optimum de l'appareil ne sera obtenu qu'avec un filtre propre et un réservoir à poussière vide. Si la poussière commence à sortir de l'appareil lorsqu'on l'éteint, ceci indique que le réservoir est plein et qu'il faut le vider.

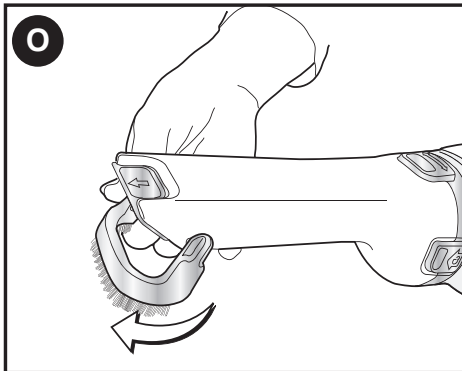
- Laver les filtres régulièrement à l'eau savonneuse tiède. S'assurer qu'ils sont complètement secs avant de les réutiliser. Tenir le filtre propre pour optimiser le rendement du produit.
- Il est très important que le filtre soit mis correctement en place avant d'utiliser l'appareil.

### **Buse/Accessoires**

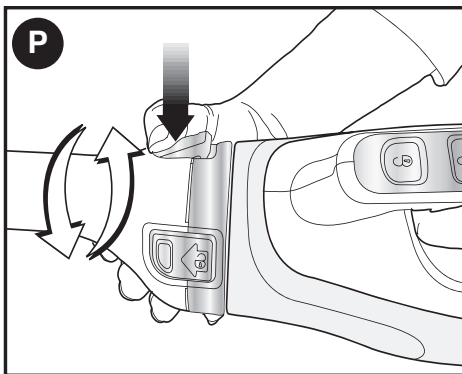
- **Figure N** - La buse de l'appareil comporte un suceur plat intégré qu'il est possible de déployer, comme indiqué à la **figure N**. Tirer sur la rallonge jusqu'à ce qu'elle se bloque en position.



- **Figure O** - Une brosse est intégrée dans la buse et peut être utilisée simplement en la relevant.



- **Figure P** - Il est possible de faire pivoter la buse pour accéder plus aisément aux endroits difficiles d'accès. Pour cela, appuyer sur le bouton indiqué sur la **figure P** et faire pivoter la buse vers la gauche ou vers la droite jusqu'à ce qu'elle s'enclenche en émettant un déclic.



### Remplacement des filtres

Les filtres doivent être remplacés tous les 6 à 9 mois et chaque fois qu'ils sont usés ou endommagés. Des filtres de rechange sont offerts auprès du détaillant BLACK+DECKER local.

- Retirer les anciens filtres selon les indications ci-dessus.
- Installer les filtres neufs selon les indications ci-dessus.

### ENTRETIEN

N'utiliser qu'un détergent doux et un chiffon humide pour nettoyer l'aspirateur.

Ne jamais laisser de liquide pénétrer dans l'aspirateur et n'immerger aucune partie de l'aspirateur dans un liquide.

**IMPORTANT** : Pour garantir la SÉCURITÉ et la FIABILITÉ du produit, les réparations, l'entretien et le réglage (autre que ceux énumérés dans ce manuel) doivent être réalisés par un centre de réparation agréé ou tout autre centre de réparation professionnel, et des pièces de rechange identiques doivent être utilisées.

### Dépannage

Si le produit ne fonctionne pas, vérifier les éléments suivants :

- L'indicateur de charge est allumé lorsque l'appareil est relié au chargeur.
- Le chargeur était correctement branché lors de la charge (il est légèrement chaud au toucher).
- Le cordon d'alimentation du chargeur n'est pas endommagé et il est bien fixé.
- Le chargeur est branché dans une prise électrique qui fonctionne.
- L'interrupteur est en position « Arrêt » lorsqu'il est en charge.

Pour de l'aide avec l'outil, consulter notre site Web [www.blackanddecker.com](http://www.blackanddecker.com) pour l'emplacement du centre de réparation le plus près ou communiquer avec l'assistance BLACK+DECKER au **1-800-544-6986**.

### ACCESSOIRES

Les accessoires recommandés pouvant être utilisés avec l'appareil sont disponibles auprès du détaillant local ou du centre de réparation autorisé. Pour obtenir de l'aide concernant les accessoires, composer le : **1 800 544-6986**.

- Numéro du filtre : VF110.

### ⚠ AVERTISSEMENT :

L'utilisation de tout accessoire non recommandé avec cet appareil pourrait s'avérer dangereuse.

### RETRAIT ET ÉLIMINATION DES PILES

Ce produit utilise des piles Lithium Ion rechargeables et recyclables.

Quand les piles ne tiennent plus la charge, elles doivent être retirées de l'aspirateur et recyclées. Elles ne doivent jamais être incinérées ni compostées.

On peut apporter la pile à un centre de réparation BLACK+DECKER ou un centre autorisé. Certains détaillants locaux participent également à un programme national de recyclage. Communiquer avec le détaillant de votre région pour les détails. Le centre de réparation de BLACK+DECKER ou un centre autorisé prendront les dispositions nécessaires pour recycler la

pile épuisée si on la rapporte à un tel centre. On peut aussi contacter la municipalité pour obtenir des directives de mise au rebut appropriées selon la ville.

Enlever le bloc-piles pour élimination :

- 1.) D'abord, avant d'essayer de démonter le produit, l'allumer et le laisser allumé jusqu'à ce que le moteur s'arrête complètement, ce qui assure une décharge complète des piles.
- 2.) Avec un tournevis à pointe cruciforme, retirer les sept vis fixant les deux moitiés du boîtier.
- 3.) Déposer le couvercle du boîtier de l'ensemble.
- 4.) Débrancher tous les fils et retirer les piles de leur boîtier.
- 5.) Éliminer le bloc-piles conformément aux lignes directrices recommandées.

## Le SCEAU SRPRC™

Le sceau SRPRC® (Société de recyclage des piles rechargeables du Canada) apposé sur une pile au lithium-ion (ou un bloc-piles) indique que les coûts de recyclage de ces derniers en fin d'utilisation ont déjà été réglés par BLACK+DECKER. Dans certaines régions, la mise au rebut ou aux ordures municipales des piles au lithium-ion, est illégale ; le programme de l'Appel à Recycler® constitue donc une solution pratique et écologique.

Appel à Recycler Canada, Inc., en collaboration avec BLACK+DECKER et d'autres utilisateurs de piles, a mis sur pied de programme aux États-Unis et au Canada pour faciliter la collecte des piles au lithium-ion usagées. Aidez-nous à protéger l'environnement et à conserver nos ressources naturelles en renvoyant les piles au lithium-ion usagées à un centre de réparation autorisé BLACK+DECKER ou chez votre détaillant afin qu'elles y soient recyclées. On peut en outre se renseigner auprès d'un centre de recyclage local pour connaître d'autres sites les acceptant. SRPRC® est une marque déposée de l'Appel à Recycler Canada, Inc.



## INFORMATION SUR LES RÉPARATIONS

Tous les centres de réparation BLACK+DECKER sont dotés de personnel qualifié en matière d'outillage électrique; ils sont donc en mesure d'offrir à leur clientèle un service efficace et fiable. Que ce soit pour un avis technique, une réparation ou des pièces de rechange authentiques installées en usine, communiquer avec l'établissement BLACK+DECKER le plus près de chez vous. Pour trouver l'établissement de réparation de votre région, composer le numéro suivant : **1 800 544-6986** ou consulter le site **www.blackanddecker.com**

## GARANTIE LIMITÉE DE DEUX ANS

Black & Decker (É.-U.) Inc. garantit que le produit est exempt de défauts de matériau et de fabrication pendant deux(2) ans à partir de la date d'achat, à condition que le produit soit utilisé en milieu domestique. La présente garantie limitée ne couvre pas les défaillances provoquées par un abus, un dommage accidentel ou des réparations ou tentatives de réparations effectuées par toute autre personne que le personnel de BLACK+DECKER et de ses centres de réparation agréés. Un produit défectueux qui remplit les conditions stipulées par la présente garantie sera remplacé ou réparé sans frais d'une des deux façons suivantes : La première façon consiste en un échange chez le détaillant où le produit a été acheté (à la condition que le magasin soit un détaillant participant). Tout retour doit se faire durant la période correspondant à la politique d'échange du détaillant. Une preuve d'achat peut être requise. Prière de vérifier la politique de retour du détaillant au sujet des délais impartis pour les retours ou les échanges. La deuxième option est d'apporter ou d'envoyer le produit (en port payé) à un centre de réparation agréé ou à un centre de réparation BLACK+DECKER pour faire réparer ou échanger le produit, à la discrétion de BLACK+DECKER. Une preuve d'achat peut être requise. Les centres de réparation de BLACK+DECKER et les centres de réparation ou en ligne sur [www.blackanddecker.com](http://www.blackanddecker.com). Cette garantie ne s'applique pas aux accessoires. Cette garantie accorde des droits légaux propres au propriétaire de l'outil. Ce dernier pourrait avoir d'autres droits selon l'État ou la province qu'il habite. Pour toute question, communiquer avec le directeur du centre de réparation BLACK+DECKER le plus près. Ce produit n'est pas destiné à un usage commercial. L'usage commercial de ce produit annule par conséquent cette garantie. Toutes autres garanties, expresses ou implicites, sont déclinées par la présente.

**REPLACEMENT GRATUIT DES ÉTIQUETTES D'AVERTISSEMENT** : si les étiquettes d'avertissement deviennent illisibles ou sont manquantes, composer le **1 800 544-6986** pour en obtenir le remplacement gratuit.

Imported by / Importé par  
Black & Decker Canada Inc.  
100 Central Ave.  
Brockville (Ontario) K6V 5W6

# BLACK+ DECKER

## ASPIRADORA DE MANO INALÁMBRICA

### MANUAL DE INSTRUCCIONES

CATÁLOGO N°

**CHV1410L, CHV1410L32**

**Gracias por elegir BLACK+DECKER!**

Visite [www.BlackandDecker.com/NewOwner](http://www.BlackandDecker.com/NewOwner) para registrar su nuevo producto.

**LEA EL MANUAL ANTES DE DEVOLVER ESTE PRODUCTO POR CUALQUIER MOTIVO:**

Si tiene una consulta o algún inconveniente con su producto BLACK+DECKER, visite <http://www.blackanddecker.com/instantanswers> para obtener respuestas instantáneas las 24 horas del día.

Si no encuentra la respuesta o no tiene acceso a Internet, llame al 1-800-544-6986 de lunes a viernes de 8 a. m. a 5 p. m. hora del Este para hablar con un agente.

Cuando llame, tenga a mano el número de catálogo.

Para comprar un filtro de repuesto llame al 1-888-678-7278.

**CONSERVE ESTE MANUAL PARA FUTURAS CONSULTAS.  
SÓLO PARA USO DOMÉSTICO.**

Visite [www.BlackandDecker.com/NewOwner](http://www.BlackandDecker.com/NewOwner)  
para registrar su nuevo producto.

### PAUTAS DE SEGURIDAD/DEFINICIONES

Es importante que lea y comprenda este manual. La información que contiene se relaciona con la protección de SU SEGURIDAD y la PREVENCIÓN DE PROBLEMAS. Los símbolos que siguen se utilizan para ayudarlo a reconocer esta información.

**⚠ PELIGRO:** indica una situación de peligro inminente que, si no se evita, provocará la muerte o lesiones graves.

**⚠ ADVERTENCIA:** indica una situación de peligro potencial que, si no se evita, provocará la muerte o lesiones graves.

**⚠ PRECAUCION:** indica una situación de peligro potencial que, si no se evita, provocará lesiones leves o moderadas.

**PRECAUCION:** utilizado sin el símbolo de alerta de seguridad indica una situación de peligro potencial que, si no se evita, puede provocar daños en la propiedad.

## INSTRUCCIONES DE SEGURIDAD IMPORTANTES

Al utilizar aparatos eléctricos, siempre deben seguirse algunas precauciones básicas, entre las que se incluyen:

### LEA TODAS LAS INSTRUCCIONES ANTES DE UTILIZAR ESTE APARATO.

**⚠ ADVERTENCIA:** Lea todas las advertencias de seguridad y todas las instrucciones. El incumplimiento de cualquiera de las advertencias e instrucciones indicadas a continuación puede provocar una descarga eléctrica, un incendio y/o lesiones graves.

**⚠ ADVERTENCIA:** Algunos tipos de polvo doméstico contienen sustancias químicas, como el asbesto y el plomo de las pinturas a base plomo, reconocidas por el Estado de California como causantes de cáncer, defectos de nacimiento u otros problemas reproductivos.

**⚠ ADVERTENCIA:** Para disminuir el riesgo de incendio, descarga eléctrica o lesiones:

**⚠ ADVERTENCIA:** Para reducir el riesgo de descarga eléctrica, no utilice la unidad al aire libre ni sobre superficies mojadas.

- No permita que se utilice como juguete. Debe prestar especial atención cuando los niños la utilicen o al utilizarla cerca de ellos.
- Utilícela únicamente como se describe en este manual. Utilice únicamente aditamentos recomendados por el fabricante.
- No utilice la unidad con el cable o el enchufe dañados. Si el aparato no funciona como corresponde, se ha caído, dañado, dejado al aire libre o sumergido en agua, devuélvalo a un centro de mantenimiento.
- No arrastre ni transporte la unidad por el cable, no utilice el cable como un mango, no cierre una puerta sobre el cable ni tire de este cerca de bordes o esquinas filosos. No pase sobre el cable con el aparato funcionando. Mantenga el cable alejado de superficies calientes.
- No desenchufe la unidad tirando del cable. Para desenchufarla, sujete el enchufe, no el cable.
- No manipule el enchufe con las manos mojadas.
- No inserte ningún objeto en los orificios de la unidad. No la utilice si alguno de los orificios está bloqueado, manténgala libre de polvo, pelusas, pelos y cualquier cosa que pueda reducir el flujo de aire.
- Mantenga el cabello, las ropas holgadas,

los dedos y todas las partes del cuerpo alejados de los orificios y de las piezas en movimiento.

- Tenga mucho cuidado al limpiar en escaleras.
- No utilice la unidad para recoger líquidos inflamables o combustibles, como gasolina, ni la utilice en áreas en las que estas sustancias puedan estar presentes.
- No recoja ninguna cosa que esté quemándose o humeante, como cigarrillos, fósforos o cenizas calientes.
- No utilice la unidad sin la bolsa para polvo y/o los filtros en su lugar.
- Este aparato está diseñado para uso doméstico solamente y no para uso comercial o industrial.
- Peligro de descarga eléctrica. Para protegerse contra el riesgo de descarga eléctrica, no ponga la unidad en agua u otro líquido.
- No permita que el cable cuelgue sobre el borde de una mesa o mostrador, o toque superficies calientes. La unidad debe colocarse o montarse lejos de fregaderos y superficies calientes.
- Enchufe la unidad directamente en un tomacorriente.
- Enchufe la unidad solo en un tomacorriente estándar de automóvil.
- Desenchufe la unidad del tomacorriente antes de realizar una limpieza o mantenimiento de rutina.
- No mire por los orificios de ventilación mientras la unidad esté encendida, ya que a veces existe la posibilidad de que pequeños residuos salgan disparados por dichos orificios, especialmente después de limpiar/reemplazar los filtros, ya que los residuos dentro de la unidad pueden desplazarse.

## ADVERTENCIAS DE SEGURIDAD ADICIONALES

- a) Evite la puesta en marcha involuntaria. Asegúrese de que el interruptor esté en posición de apagado antes de conectar con la batería, de levantar o transportar el aparato.** El transportar el aparato con el dedo puesto en el interruptor o enchufar el aparato con el interruptor encendido puede provocar accidentes.
- b) Recárguese sólo con el cargador especificado por el fabricante.** Un cargador que sea adecuado para un tipo de batería puede ocasionar un riesgo de incendio si se utiliza con otra batería.
- c) No utilice una batería o aparato que esté dañado o modificado.** Las baterías dañadas o modificadas pueden funcionar de forma imprevisible y ocasionar un incendio, explosión o riesgo de lesión.
- d) No exponga una batería o aparato al fuego ni a una temperatura excesiva.** La exposición al fuego o a una

temperatura superior a los 130°C (266°F) puede ocasionar una explosión.

- e) La reparación debe realizarse por una persona calificada para realizar reparaciones que use solamente repuestos idénticos. Así se asegurará que se mantenga la seguridad del producto.

**⚠ ADVERTENCIA:**  
No intente modificar o reparar el aparato.

## CONSERVE ESTE MANUAL

### Símbolos

- La etiqueta de su herramienta puede incluir los siguientes símbolos. Los símbolos y sus definiciones son los siguientes:

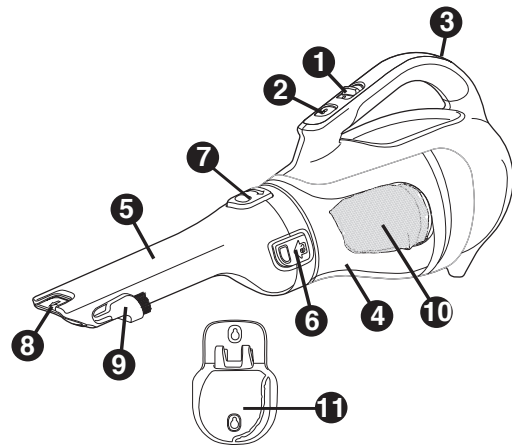
V..... voltios  
 A..... amperios  
 Hz..... hertz  
 W..... vatios  
 min..... minutos  
 ~ o AC ..... corriente alterna  
 === o DC.... corriente directa  
 n<sub>0</sub> ..... no velocidad sin carga  
 ⚠..... Construcción Clase I  
 ⊕ ..... terminal a tierra  
           (mis à la terre)  
 □ ..... Construcción de clase II  
 ⚠ ..... simbolo de alerta  
 .../min..... revoluciones o minuto seguridad

## DESCRIPCIÓN DE LAS FUNCIONES

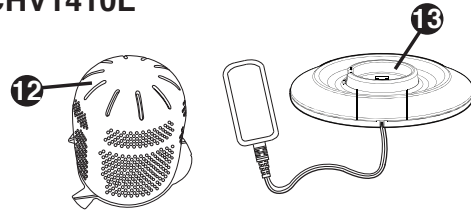
1. Interruptor de encendido/apagado
2. Botón de liberación del depósito
3. Indicador de carga
4. Depósito para polvo
5. Boquilla
6. Botón de liberación de la boquilla
7. Botón para girar la boquilla
8. Herramienta extensible para ranuras
9. Cepillo desplegable
10. Filtro de tela
11. Soporte para montaje en la pared

### CHV1410L

12. Prefiltro de plástico
13. Base del cargador



### CHV1410L



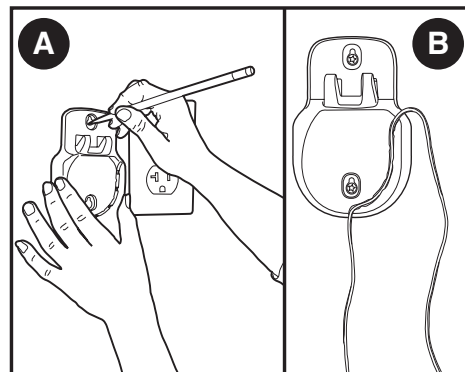
## Ensamblaje

**⚠ ADVERTENCIA:**  
No intente modificar o reparar el aparato.

### Montaje en la pared

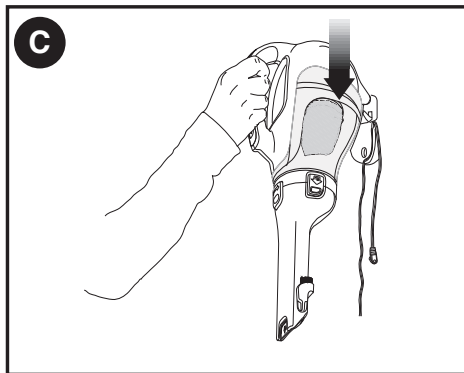
Si lo desea, puede montar el producto en la pared utilizando el soporte para montaje en la pared, los tornillos y los anclajes provistos. Para montar la aspiradora en la pared, consulte las **Figuras A, B, C y D**.

- **Figura A** - Marque la ubicación de los orificios para los tornillos (dentro del alcance de un tomacorriente para cargar la aspiradora mientras está en el soporte de la pared).
- **Figura B** - Inserte el cable del cargador dentro de la ranura curva del soporte para montaje en la pared dejando aproximadamente 203 a 227 mm (8 a 9 pulgadas) de excedente de cable como se muestra.

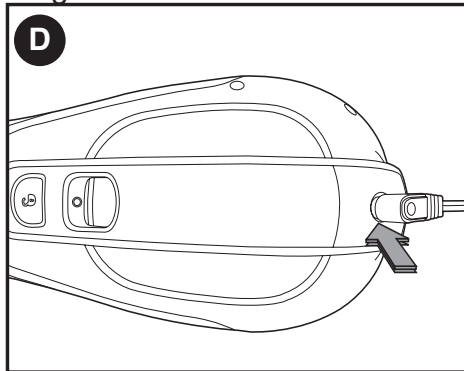


- **Figura C** - Cuelgue la aspiradora en la pared colocando la abertura de la base de ésta sobre los ganchos del soporte para

montaje en la pared como se muestra en la **Figura C**.



- **Figura D** - Inserte la clavija en el enchufe de carga.



### Carga de la batería (CHV1410L32)

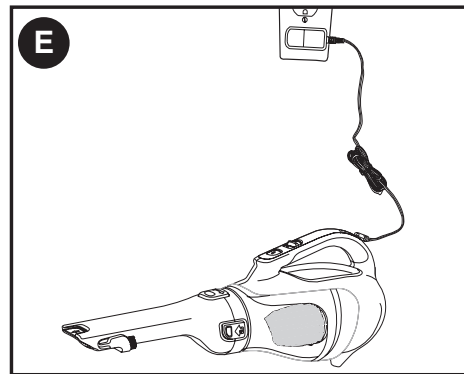
#### ⚠ **ADVERTENCIA:**

Para ser utilizado únicamente con el cargador suministrado. Cuando nuevas, las celdas recargables del producto necesitan un tiempo mínimo de carga de 9 horas para asegurar la potencia completa.

Le sugerimos descargar el producto completamente cuando se utilice por primera vez ya que esto ayudará a que las celdas carguen más rápidamente.

La carga está completa cuando el indicador de carga se mantiene encendido constantemente. El cargador y la batería pueden dejarse conectados indefinidamente con el LED encendido. El LED cambiará a un estado intermitente (cargando) cuando el cargador ocasionalmente vuelve a completar la carga de la batería.

- El interruptor debe estar en la posición de apagado ("O"); el producto no se cargará si éste está en alguna otra posición.
- **Figura E** - Inserte la clavija del cargador en el enchufe de carga de la herramienta. Enchufe el cargador en cualquier tomacorriente estándar de 120 voltios, 60 Hz. El indicador de carga se encenderá.



Durante la carga, el cargador puede calentarse; esto es perfectamente normal y seguro. Es seguro dejar el aparato conectado al cargador indefinidamente. El cargador reduce automáticamente el consumo de energía cuando la carga está completa.

#### ⚠ **ADVERTENCIA:**

No cargue la batería a temperaturas ambientes inferiores 4°C (39°F) o superiores a 40°C (104°F).

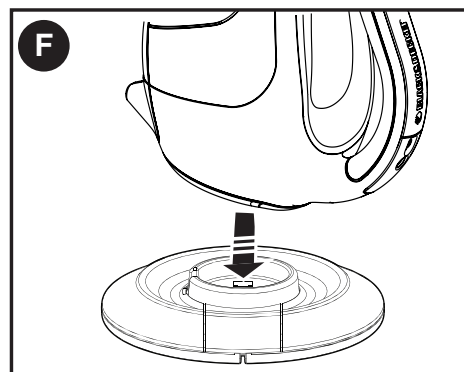
### Carga de la batería (CHV1410L)

#### ⚠ **ADVERTENCIA:**

No cargue la batería a temperaturas ambientales inferiores a 4 °C (39 °F) o superiores a 40 °C (104 °F).

La carga está completa cuando el indicador de carga se mantiene encendido constantemente. El cargador y la batería pueden dejarse conectados indefinidamente con el LED encendido. El LED cambiará a un estado intermitente (cargando) cuando el cargador ocasionalmente vuelve a completar la carga de la batería.

- Cargue las baterías descargadas en el lapso de 1 semana. La vida útil de la batería se acortará enormemente si ésta se guarda descargada.
- Coloque el aparato en la base de carga como se muestra.
- Enchufe el cargador. El indicador de carga destellará de manera continua (lentamente).
- Deje que el aparato se cargue.



Durante la carga, el cargador puede calentarse; esto es perfectamente normal y seguro. El indicador de carga permanecerá encendido mientras el aparato esté conectado al cargador enchufado. Puede mantenerse en carga indefinidamente sin ocasionar daños ni peligro. No es posible "sobrecargar" las celdas de la batería con el cargador provisto.

### Diagnóstico de la batería

Si el aparato detecta una batería débil, el indicador de carga destellará en forma rápida al oprimir el botón de encendido/apagado (1). Haga lo siguiente:

- Coloque el aparato en la base de carga.
- Enchufe el cargador.
- Deje que el aparato se cargue.

Si el aparato detecta una batería dañada, el indicador de carga destellará en forma rápida cuando el aparato se encuentre en la base del cargador. Haga lo siguiente:

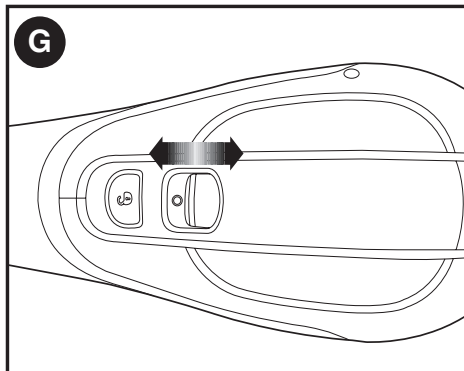
- Lleve el aparato y el cargador a una instalación de mantenimiento autorizada para que los sometan a pruebas.

**Nota: Puede tardar hasta 60 minutos para determinar que la batería está defectuosa. Si la batería está muy caliente o muy fría, el LED emitirá destellos rápidos y lentos, con un destello en cada velocidad, de manera repetida.**

## Uso

### Encendido y apagado

- **Figura G** - Para encender, deslice el interruptor de encendido/apagado hacia adelante (es decir, "O" = apagado, "I" = encendido).
- Para apagar, deslice el interruptor hacia atrás.
- Vuelva a colocar el producto en el cargador inmediatamente después de utilizarlo para que esté totalmente cargado y listo para el próximo uso. Asegúrese de que el producto esté bien conectado con el enchufe del cargador.



## Limpieza y vaciado del producto

### ⚠ **ADVERTENCIA:**

#### **Peligro de eyección/para las vías respiratorias:**

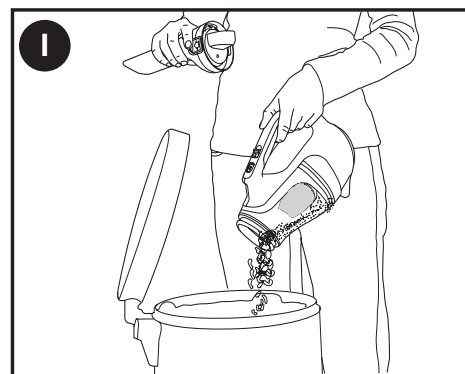
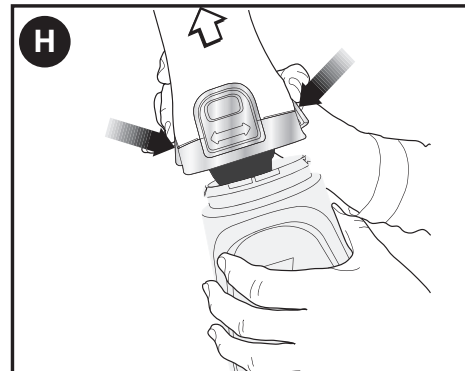
Nunca utilice la aspiradora sin su filtro.

**NOTA:** El filtro es reutilizable, no lo confunda con una bolsa recolectora de polvo desechable y no lo tire al vaciar el producto. Le recomendamos reemplazar el filtro cada 6 a 9 meses según la frecuencia de uso.

Existen dos métodos de limpieza para el depósito, un método de vaciado rápido y un método de limpieza minuciosa.

#### **Para un vaciado rápido (Figuras H e I)**

- **Figura H** - Oprima ambos botones de liberación de la boquilla que se encuentran en los costados de ésta y retírela tirando de ella en forma recta.
- **Figura I** - Vacíe el polvo del depósito.
- Para una limpieza más minuciosa, quite el depósito como se describe en las Figuras J - M.

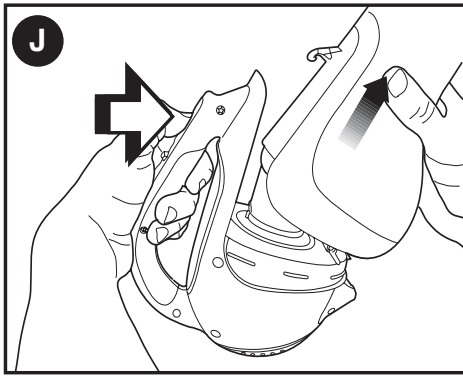


#### **Extracción del depósito para polvo y los filtros (Figuras J-M)**

### ⚠ **ADVERTENCIA:**

Los filtros son reutilizables y deben limpiarse periódicamente.

- **Figura J** - Presione el cerrojo de liberación y extraiga el depósito para polvo halándolo en línea recta.

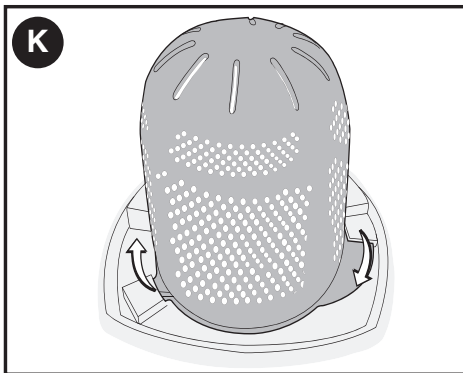


- Mientras sostiene el depósito para polvo sobre una papelera o fregadero, extraiga el filtro para vaciar el contenido del depósito.
- Para reinstalar el depósito para polvo, vuelva a colocarlo sobre el mango hasta que haga "clic" y encaje firmemente en su posición.

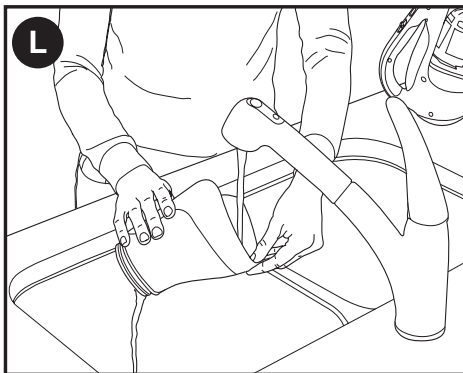
## ⚠ **ADVERTENCIA:**

Nunca utilice el aparato sin los filtros. Sólo se logrará una recolección de polvo óptima con filtros limpios.

- **Figura K (CHV1410L)** - Este vacío tiene un prefiltro de plástico y un filtro interior de tela. Para separar el filtro de tela del filtro de plástico, gire el filtro de plástico hacia la derecha.
- Retire el filtro interior de tela y sacuda o cepille suavemente todo polvo suelto de ambos filtros.



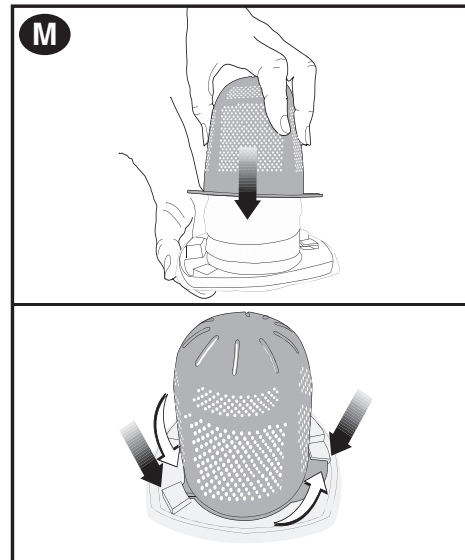
- **Figura L** - Los depósitos para polvo y los filtros se pueden lavar en agua jabonosa tibia. Permita que se sequen antes de volver a colocarlos en la aspiradora.



- **Figura M** - Para reemplazar los filtros,

deslice el filtro exterior de plástico sobre el filtro de tela.

- Alinee las aletas del filtro de plástico con las ranuras del filtro de tela y gírelo hacia la izquierda.



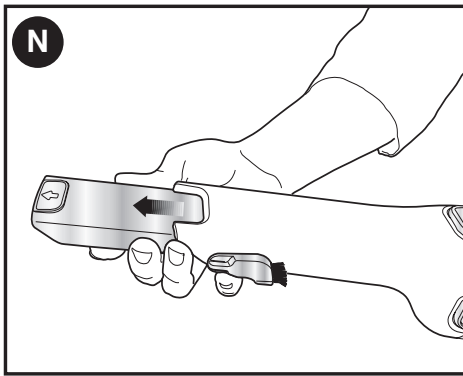
- Vuelva a colocar los filtros en el depósito empujando firmemente para asegurar un ajuste seguro.
- Para reinstalar el depósito para polvo, vuelva a colocarlo sobre el mango hasta que haga "clic" y encaja firmemente en su posición.

**IMPORTANTE:** Sólo se obtendrá una máxima recolección de polvo con un filtro limpio y un depósito para polvo vacío. Si el polvo comienza a caer del producto después de apagado, esto indica que el depósito está lleno y debe vaciarse.

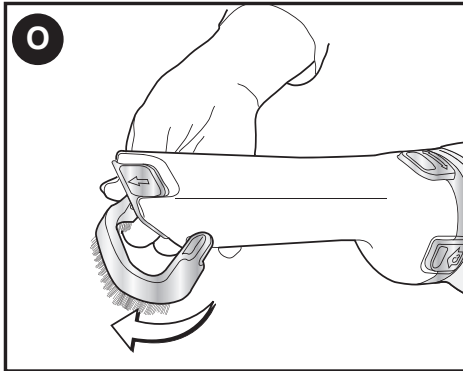
- Lave los filtros periódicamente utilizando agua jabonosa tibia y asegúrese de que estén completamente secos antes de volver a utilizarlos. Mientras más limpio esté el filtro, mejor funcionará el producto.
- Es muy importante que el filtro se encuentre en la posición correcta antes del uso.

## **Boquilla/Accesorios**

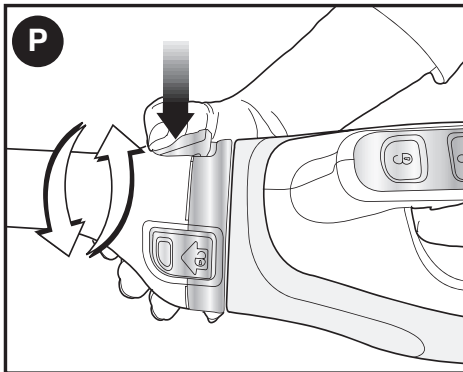
- **Figura N** - La boquilla tiene incorporada una herramienta para ranuras que se puede extender como se muestra en la **Figura N**, jalando de la pieza extensible hasta que se bloquee en su lugar.



- **Figura O** - La boquilla tiene incorporado un accesorio de cepillo y se puede voltear hacia arriba para el uso.



- **Figura P** - La boquilla se puede girar para tener mejor acceso en lugares estrechos. Para girar la boquilla, oprima el botón que se muestra en la **Figura P** y gire la boquilla hacia la izquierda o la derecha hasta que encaja en su lugar.



### Reemplazo de los filtros

Los filtros se deben reemplazar cada 6 a 9 meses y cuando estén gastados o dañados. Los filtros de repuesto pueden encontrarse en su distribuidor BLACK+DECKER :

- Retire los filtros viejos como se describió anteriormente.
- Coloque los filtros nuevos como se describió anteriormente.

## MANTENIMIENTO

Para limpiar la aspiradora, utilice solo jabón suave y un paño húmedo. Nunca permita que penetre líquido dentro de la aspiradora; nunca sumerja ninguna pieza de la aspiradora en un líquido.

**IMPORTANTE:** Para garantizar la **SEGURIDAD** y **CONFIABILIDAD** del producto, las reparaciones, el mantenimiento y el ajuste (que no sean aquellos indicados en este manual) deben ser realizados por los centros de mantenimiento autorizados u otras organizaciones de mantenimiento calificadas, siempre utilizando piezas de repuesto idénticas.

### Detección de problemas

Si el producto no funciona, verifique lo siguiente:

- La luz indicadora de carga está encendida cuando la unidad se conecta al cargador.
- El cargador se enchufó correctamente para la recarga. (Se siente ligeramente tibio al tacto).
- El cable del cargador no está dañado y está conectado correctamente.
- El cargador está enchufado en un tomacorriente eléctrico que funciona.
- El interruptor está en la posición "OFF" (Apagado) al cargar.

### Solamente para Propósitos de México

Para conocer la ubicación del centro de servicio más cercano a fin de recibir ayuda con su producto, visite nuestro sitio Web [www.blackanddecker.com.mx](http://www.blackanddecker.com.mx) o llame a la línea de ayuda BLACK & DECKER al **01 800 847 2309/01 800 847 2312**.

## ACCESORIOS

Los accesorios recomendados para uso con el artefacto están disponibles en su distribuidor o centro de mantenimiento autorizado local. Si necesita ayuda con respecto a los accesorios, llame al: **1-800-544-6986**.

- Número de accesorio de filtro VF110.

## ⚠ ADVERTENCIA:

El empleo de cualquier accesorio no recomendado para uso con este artefacto puede ser peligroso

## REMOCIÓN Y ELIMINACIÓN DE LA BATERÍA

Este producto utiliza baterías de iones de litio recargables y reciclables. Cuando las baterías ya no mantengan la carga, es necesario retirarlas de la aspiradora y reciclarlas. No se deben incinerar ni someter a un proceso de compostaje.

Para eliminar la batería, puede llevarla a un Centro de mantenimiento BLACK+DECKER propio o autorizado. Algunos comercios minoristas locales participan de un programa nacional de reciclado (ver "Sello RBRC™"). Llame a su comercio minorista local para obtener más información. Si trae las baterías a un Centro de mantenimiento BLACK+DECKER propio o autorizado, el Centro se ocupará de reciclarlas. O bien, consulte en la municipalidad de su localidad para conocer las instrucciones de desecho adecuadas de su ciudad o localidad.

Remoción y desecho de baterías:

- 1.) Primero, antes de intentar desarmar el producto, enciéndalo y póngalo en funcionamiento hasta que el motor se haya detenido completamente, asegurándose de que las baterías se descarguen completamente.
- 2.) Con un destornillador Phillips, retire los siete tornillos que fijan las dos mitades de la caja.
- 3.) Levante la cubierta de la batería del montaje.
- 4.) Retire todas las conexiones de los conductores y quite las baterías de la cubierta.
- 5.) Retire el paquete de baterías y deséchelo según las pautas recomendadas.

## EL SELLO RBRC™

El sello RBRC® (Rechargeable Battery Recycling Corporation) en las baterías (unidades de batería) de litio indica que el costo de reciclaje de estas baterías (o unidades de batería) al llegar al final de su vida de servicio ya ha sido pagado por BLACK+DECKER. En algunas áreas, es ilegal depositar baterías de iones de litio gastadas en la basura o la corriente de residuos sólidos urbanos; el programa Call 2 Recycle® proporciona una alternativa ecológica.

Call 2 Recycle, Inc., en cooperación con BLACK+DECKER y otros usuarios de baterías, han establecido programas en los Estados Unidos y Canadá para facilitar la recolección de baterías de iones de litio gastadas. Al llevar sus baterías de iones de litio gastadas a un centro de servicio autorizado por BLACK+DECKER o al minorista local para que sean recicladas, ayuda a proteger el medio ambiente y a conservar recursos naturales. También puede comunicarse con el centro de reciclaje de su localidad para mayor información sobre dónde llevar sus baterías gastadas. RBRC® es una marca comercial registrada de Call 2 Recycle, Inc.



## INFORMACIÓN DE MANTENIMIENTO

Todos los Centros de servicio de BLACK+DECKER cuentan con personal altamente capacitado dispuesto a brindar a todos los clientes un servicio eficiente y confiable en la reparación de herramientas eléctricas. Si necesita consejo técnico, reparaciones o piezas de repuesto originales de fábrica, póngase en contacto con el centro de servicio de BLACK+DECKER más cercano a su domicilio. Para ubicar su centro de servicio local, llame al **1-800-544-6986** o visite nuestro sitio **[www.blackanddecker.com](http://www.blackanddecker.com)**.

## **GARANTÍA LIMITADA DE DOS AÑOS**

Black & Decker (U.S.) Inc. garantiza que este producto está libre de defectos de material o mano de obra durante un período de dos (2) años desde la fecha de compra, siempre y cuando el producto se utilice en un entorno doméstico. Esta garantía limitada no cubre contra fallas debidas a mal uso, daño accidental o cuando se han realizado o intentado reparaciones por parte de cualquier otra persona ajena a BLACK+DECKER y sus centros de mantenimiento autorizados.

Un producto defectuoso que cumple con las condiciones de la garantía establecidas en el presente documento será remplazado o reparado sin costo de una dos maneras:

La primera, que únicamente dará lugar a intercambios, consiste en devolver el producto al comerciante minorista donde fue comprado (siempre y cuando la tienda sea un comerciante minorista participante).

Las devoluciones deben realizarse dentro del período establecido en la política para intercambios del comerciante minorista.

Es posible que se requiera el comprobante de compra. Consulte al comerciante minorista sobre su política específica de devoluciones con respecto a los límites de tiempo para devoluciones o intercambios.

La segunda opción es llevar o enviar (pagado por adelantado) el producto a un centro de mantenimiento de propiedad o con autorización de BLACK+DECKER para su reparación o remplazo a discreción de BLACK+DECKER. Es posible que se requiera un comprobante de compra. Los centros de mantenimiento de propiedad o con autorización de BLACK+DECKER en línea en [www.blackanddecker.com](http://www.blackanddecker.com). Esta garantía no se aplica a los accesorios. Esta garantía le otorga derechos legales específicos y es posible que tenga otros derechos que varían de un estado a otro. En caso de que tenga alguna pregunta, comuníquese con el gerente del centro de mantenimiento de BLACK+DECKER más cercano a usted.

Este producto no está diseñado para uso comercial y, en consecuencia, dicho uso comercial de este producto anulará la garantía. Por medio del presente documento, se declina la responsabilidad de todas las demás garantías, explícitas o implícitas.

**AMÉRICA LATINA:** Esta garantía no se aplica a productos vendidos en América Latina. Para los productos que se venden en América Latina, consulte la información de garantía específica del país contenida en el empaque, llame a la compañía local o visite el sitio web para obtener dicha información.

**· GARANTÍA BLACK+DECKER · BLACK+DECKER WARRANTY  
· SOLAMENTE PARA PROPOSITOS DE MEXICO**

---

Distributor Name · *Sello firma del distribuidor*

---

Date of purchase · *Fecha de compra*

*Invoice No. · No. de factura*

---

**PRODUCT INFORMATION · IDENTIFICACIÓN DEL PRODUCTO**

Cat. No. · *Catalogo ó Modelo*

*Serial Number · No. de serie*

---

Name · *Nombre*

*Last Name · Apellido*

---

Address · *Dirección*

---

City · *Ciudad*

*State · Estado*

---

Postal Code · *Código Postal*

*Country · País*

---

Telephone · *No. Teléfono*

---

**2 AÑOS DE GARANTIA**

Este producto cuenta con dos años de garantía a partir de la fecha de compra contra cualquier defecto de su funcionamiento, así como cualquier falla debido a materiales empleados para su fabricación ó mano de obra defectuosa.

Nuestra garantía incluye la reparación o reposición del producto y/o componentes sin cargo alguno para el cliente incluyendo la mano de obra, esta incluye los gastos de trasportación erogados para lograr cumplimiento de esta garantía en los domicilios diversos señalados.

Para hacer efectiva esta garantía deberá presentar su herramienta y esta póliza sellada por el establecimiento comercial donde se adquirió el producto.

Nos comprometemos a entregar el producto en un lapso no mayor a 30 días hábiles contados a partir de la fecha de recepción del mismo en nuestros talleres de servicio autorizados.

**ESTA GARANTIA NO APLICA CUANDO:**

El producto se hubiese utilizado en condiciones distintas a las normales.

El producto no hubiese sido operado de acuerdo con el instructivo de uso que se acompaña.

El producto hubiese sido alterado o reparado por personas no autorizadas por nosotros.

Importador: Black & Decker S.A. de .C.V  
Bosque de Cidros Acceso Radiatas No.42  
3ra.Seccion de Bosques de las lomas  
C.P.05120, Mexico, D.F. Tel: (01 55) 5326 7100

## SOLAMENTE PARA PROPOSITOS DE MEXICO

### **Grupo Realsa en herramientas, S.A. de C.V.**

Súper Manzana 69 MZ.01 Lote 30  
(Av. Torcasita)  
Col. Puerto Juárez  
Cancún, Quintana Roo  
Tel. 01 998 884 72 27

### **Ferre Pat de Puebla, S.A. de C.V.**

16 de Septiembre No. 6149  
Col. El Cerrito  
Puebla, Puebla  
Tel. 01 222 264 12 12

### **Ferre Pat de Puebla, S.A. de C.V.**

Ejército Mexicano No. 15  
Col. Ejido 1ro. de Mayo  
Boca del Rio, Veracruz  
Tel. 01 229 167 89 89

### **Servicio de Fabrica BLACK+DECKER, S.A. de C.V.**

Lázaro Cardenas No. 18  
Col. Obrera  
Distrito Federal  
Tel. 55 88 95 02

### **Representaciones Industriales Robles, S.A. de C.V.**

Tezozomoc No. 89  
Col. La Preciosa  
Distrito Federal  
Tel. 55 61 86 82

### **Gpo. Comercial de Htas. y Refacciones de Occidente, S.A. de C.V.**

Av. La Paz No. 1779  
Col. Americana, S. Juaréz  
Guadalajara, Jalisco  
Tel. 01 33 38 25 69 78

### **Herramientas y Equipos Profesionales**

Av. Colón 2915 Ote.  
Col. Francisco I. Madero  
Monterrey, Nvo. León  
Tel. 01 81 83 54 60 06

### **Htas. Portátiles de Chihuahua, S.A. de C.V.**

Av. Universidad No. 2903  
Col. Fracc. Universidad  
Chihuahua, Chihuahua  
Tel. 01 614 413 64 04

### **Fernando González Armenta**

Bolivia No. 605  
Col. Felipe Carrillo Puerto  
Cd. Madero, Tamaulipas  
Tel. 01 833 221 34 50

### **Perfiles y Herramientas de Morelia**

Gertrudis Bocanegra No. 898  
Col. Ventura Puente  
Morelia, Michoacán  
Tel. 01 443 313 85 50

### **Enrique Robles**

Av. de la Solidaridad No. 12713  
Col. La Pradera  
Irapuato, Guanajuato  
Tel. 01 462 626 67 39

### **Hernández Martínez Jeanette**

Prolongación Corregidora Nte. No. 1104  
Col. Arboledas  
Queretaro, Qro.  
Tel. 01 442 245 25 80

**PARA OTRAS LOCALIDADES LLAME AL 01 800 847 2309 o 01 800 847 2312.**

BLACK & DECKER S.A. DE C.V.  
BOSQUES DE CIDROS ACCESO RADIATAS NO. 42  
COL. BOSQUES DE LAS LOMAS.  
05120 MÉXICO, D.F.  
TEL. (01 55) 5326 7100  
01 800 847 2309/01 800 847 2312

**Cat. No. CHV1410L, CHV1410L32    Form No. 90632668**

**Copyright© 2015 BLACK+DECKER**

**December 2015**

**Printed in China**