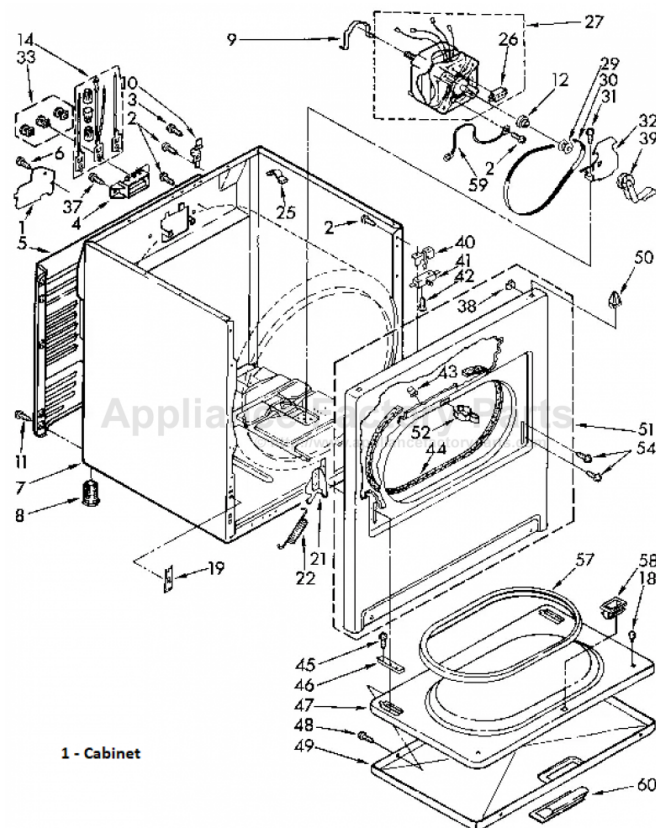


This Owner's Manual is provided and hosted by [Appliance Factory Parts](#).



# Kenmore 110.96282800 Owner's Manual

[Shop genuine replacement parts for Kenmore  
110.96282800](#)



[Find Your Kenmore Dryer Parts - Select From 92 Models](#)

----- Manual continues below -----

FEATURE LIST  
 1992  
 KENMORE DRYER  
 RETAIL/CATALOG

62821

STOCK NO: 62821  
 29" EXTRA CAPACITY

CYCLE NO: 10

	<u>ELECT.</u>	<u>GAS</u>
MODEL NO:	2696282100	2697282100
PROD CODE:	127	126

CYCLE NAMES:				
AUTO DRY I:	NORMAL	PERM PRES	COTTON	DELICATE
TIME DRY:	NORMAL	PERM PRES	COTTON	DELICATE
TOUCH-UP AIR DRY				

WEIGHT:	135.0 LBS (EST. CARTON)	
WIDTH:	29"	73.7cm
DEPTH:	27-1/2"	69.9cm
HEIGHT:	43-1/8"	109.5cm

TERMINATION: FABRIC MASTER

TEMPS + AIR: 3 SWITCH (4 TOTAL)

WRINKLE GUARD: I - 30 MINUTE CONTINUOUS

SOFT HEAT: YES

CYCLE SIGNAL: ADJUSTABLE

LINT SIGNAL: YES

DRUM LIGHT: NONE

DOOR & SEAL: EASY LOAD-GREY

LINT SCREEN: TOP MOUNT

DRUM SIZE: 6.8 CU. FT.

DRIVE BELT: 4 RIB

HEAT INPUT: ELECTRIC - 5,400 WATTS  
 GAS - 22,000 BTU'S

INTERIOR FINISH: EPOXY COATED - WHITE

CONSOLE: 1992 GRAPHICS-METAL

COLORS: WHITE - ALMOND

SPEC FEATURES: NONE

