

This Owner's Manual is provided and hosted by [Appliance Factory Parts](#).



Coleman 5072-751 Owner's Manual

[Shop genuine replacement parts for Coleman 5072-751](#)



[Find Your Coleman Camping Parts - Select From 855 Models](#)

----- Manual continues below -----



PROPANE FORCED-AIR HEATERS

INSTRUCTIONS FOR USE

IMPORTANT

Read this manual carefully before assembling, using or servicing this heater. Keep this manual for future reference. If you have questions about assembly, operation, servicing or repair of this heater, please call Coleman at 1-800-822-3319 or TDD: 316-832-8707. In Canada call 1-800-387-6161.



Models: 5070-751, 5072-751 and 5075-751

This product is designed and approved for use as an indoor construction heater in accordance with ANSI and CGA standards. It is intended for temporary heating of buildings under construction, alteration or repair. It is not intended for home or recreational use.



ANSI Z83.7b (1993)/A10.10 (1990) - CGA 2.14(1972)

This manual contains important information about the assembly, operation and maintenance of this construction heater. General safety information is presented in these first few pages and is also located throughout the manual. Particular attention should be paid to information accompanied by the safety alert symbol “**▲WARNING**”.

Keep this manual for future reference and to educate new users of this product. This manual should be read in conjunction with the labeling on the product.

▲ GENERAL HAZARD WARNING:

FAILURE TO COMPLY WITH THE PRECAUTIONS AND INSTRUCTIONS PROVIDED WITH THIS HEATER, CAN RESULT IN DEATH, SERIOUS BODILY INJURY AND PROPERTY LOSS OR DAMAGE FROM HAZARDS OF FIRE, EXPLOSION, BURN, ASPHYXIATION, AND/OR CARBON MONOXIDE POISONING.

ONLY PERSONS WHO CAN UNDERSTAND AND FOLLOW THE INSTRUCTIONS SHOULD USE OR SERVICE THIS HEATER.

IF YOU NEED ASSISTANCE OR HEATER INFORMATION SUCH AS AN INSTRUCTION MANUAL OR LABELS, CONTACT THE COLEMAN CO., INC.

▲WARNING: FIRE, BURN, INHALATION, AND EXPLOSION HAZARD. KEEP SOLID COMBUSTIBLES, SUCH AS BUILDING MATERIALS, PAPER OR CARDBOARD, A SAFE DISTANCE AWAY FROM THE HEATER AS RECOMMENDED BY THE INSTRUCTIONS. NEVER USE THE HEATER IN SPACES WHICH DO OR MAY CONTAIN VOLATILE OR AIRBORNE COMBUSTIBLES, OR PRODUCTS SUCH AS GASOLINE, SOLVENTS, PAINT THINNER, DUST PARTICLES OR UNKNOWN CHEMICALS.

▲WARNING

NOT FOR HOME OR RECREATIONAL VEHICLE USE.

We cannot foresee every use which may be made of our heaters. **Check with your local fire safety authority if you have questions about heater use.**

Other standards govern the use of fuel gases and heat producing products for specific uses. Your local authorities can advise you about these.

This indoor construction heater should not be used in areas directly exposed to water spray, rain, and/or dripping water.

CARBON MONOXIDE POISONING:

This construction heater is a combustion appliance. All combustion appliances produce carbon monoxide (CO) during the combustion process. This product is designed to produce extremely minute, non-hazardous amounts of CO if used and maintained in accordance with all warnings and instructions. Do not block air flow into or out of the heater.

Early signs of carbon monoxide poisoning may resemble the flu with headaches, dizziness and/or nausea. If these symptoms are present during operation of this product **get fresh air immediately!**

Safety Information continues on next page

Make sure adequate ventilation is provided. Provide a fresh outside air opening at least three (3) square feet (0.3 m²) or its equivalent, i.e., 1' x 3' (0.3 m + 0.9 m) for each heating unit. **DO NOT USE THIS HEATER IN LIVING QUARTERS OR WHILE SLEEPING!** California lists carbon monoxide as a reproductive toxin under Proposition 65.

PROPANE GAS:

This product is fueled by propane gas. Propane gas is invisible, odorless, and flammable. An odorant is normally added to help detect leaks and can be described as a “rotten egg” smell. The odorant can fade over time so leaking gas is not always detectable by smell alone.

Propane gas is heavier than air and leaking propane will sink to the lowest level possible. It can be ignited by ignition sources including matches, lighters, sparks or open flames of any kind many feet away from the original leak. Use only propane gas set up for vapor withdrawal.

Propane gas should be stored and used in compliance with local ordinances and codes or with ANSI/NFPA 58. Turn off propane when not in use.

FIRE/EXPLOSION:

During operation, this product can be a source of ignition. Keep heater area clear and free from combustible materials, gasoline, paint thinner, cleaning solvents and other flammable vapors and liquids. Do not use heater in areas with high dust content. Minimum heater clearances from combustible materials: two (2) feet (0.6 m) from the sides and rear, four (4) feet (1.2 m) from the top, and six (6) feet (1.8 m) from the outlet. Keep heater at least six (6) feet (1.8 m) away from propane tanks and keep propane hoses away from outlet opening of the heater.

ADDITIONAL SAFETY INFORMATION:

- Never alter or modify heater, propane hose/regulator assembly or propane cylinders. Do not attach duct work of any kind to this heater.
- Always inspect heater, propane hoses and propane cylinders before use. Do not use if leaking propane or if damaged. Replace hoses that have excessive wear, abrasion or cuts. Use only Coleman repair parts and Coleman propane hoses and regulator assemblies.
- **KEEP OUT OF REACH OF CHILDREN.**
- Heater will remain hot up to thirty (30) minutes after being turned off.
- Operate heater only on level, stable surface.
- Use only the electrical voltage and frequency specified on model label.
- Electrical grounding instructions — this heater is equipped with a three-prong (grounding) plug for your protection against shock hazard and should be plugged directly into a properly grounded three-prong receptacle.
- Use only a three-prong, grounded extension cord.

SECTION

PAGE

General Safety Information	2,3
Product Identification	4
Unpacking	5
Theory of Operation	5
Propane Supply	5, 6
Ventilation	6
Preparation	6, 7
Operation	7 - 9
Storage	9
Maintenance	9, 10
Troubleshooting	11
Preventative Maintenance Schedule	11
Service Procedures	12, 13
Specifications	13
Wiring Diagram	14
Replacement Parts	14
Technical Service	44
Warranty and Repair Service	44

PRODUCT IDENTIFICATION

Piezo Ignitor Button

Top Shell

POL Fitting

Propane Hose/Regulator Assembly

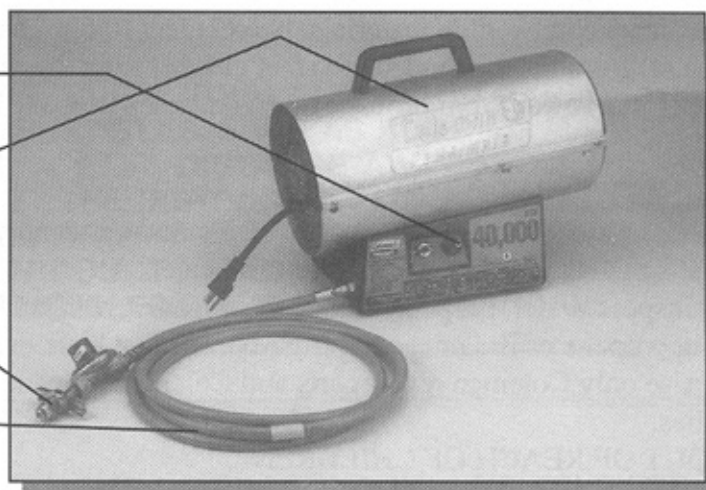


Figure 1 - 40,000 BTU/Hr. Model

Automatic Valve Button

Burner Valve Knob

Inlet Connection

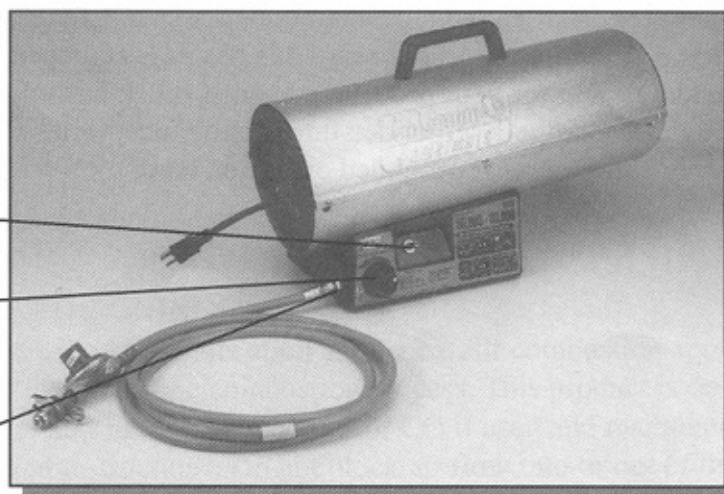


Figure 2 - 50,000 to 80,000 BTU/Hr. Model

Product Identification

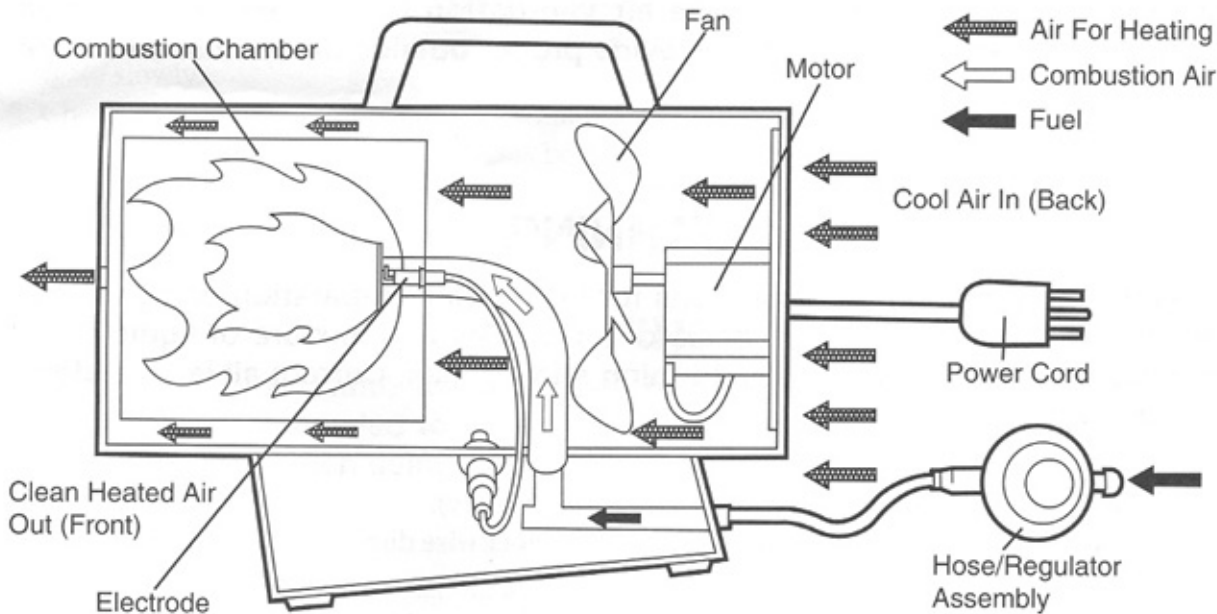
1. Remove all packing items applied to heater for shipment. Keep plastic cover caps (attached to inlet connection and hose/regulator assembly) for storage.
2. Remove all items from carton.
3. Check all items for shipping damage. If heater is damaged, promptly inform dealer where you bought heater.

The Fuel System: The hose/regulator assembly attaches to the propane gas supply. The propane gas moves through the thermoelectric valve and out the nozzle.

The Air System: The motor turns the fan. The fan pushes air into and around the combustion chamber. This air is heated and provides a stream of clean, hot air.

The Ignition System: The piezo spark ignitor (Model 5070) or Electronic Module (Models 5072 & 5075) sends voltage to the electrode. The spark at the electrode ignites the fuel air mixture.

The Safety Control System: This system causes the heater to shut down if the heater overheats for any reason including loss of electric power. (The fan will continue to operate if electric power is not lost.)



Cross Section Operational View (5070 Model Shown)

Propane gas and propane tank(s) are to be furnished by the user.

Use this heater only with a propane vapor withdrawal supply system. See Chapter 5 of the *Standard for Storage and Handling of Liquefied Petroleum Gas, ANSI/NFPA 58*. Your local library or fire department will have this booklet.

The amount of propane gas ready for use from propane tanks varies. Two factors decide this amount:

1. The amount of propane gas in tank(s).
2. The temperature of tank(s)

Propane Supply Information continues on next page

PROPANE SUPPLY *Continued*

The chart below shows the minimum number of 20-pound or larger tanks needed to run these heaters at the temperature indicated for at least 10 hours. **Do not operate them with tanks smaller than indicated. Reduced performance will result.**

Average Temperature (°F) At Tank Location	NUMBER OF TANKS REQUIRED				
	32° (0°C)	20° (-7°C)	10° (-12°C)	0° (-18°C)	-10° (-23°C)
5070-751 (40,000 BTU/Hr.)	1-20#	1-40#	1-100#	2-100#	3-100#
5072-751 (60,000 BTU/Hr.)	1-40#	1-100#	2-100#	3-100#	3-100#
5075-751 (80,000 BTU/Hr.)	1-100#	2-100#	2-100#	3-100#	3-100#

Less gas is vaporized at lower temperatures. You may need two or more 100-pound tanks or one larger tank in colder weather. Your local propane gas dealer will help you select the proper supply system.

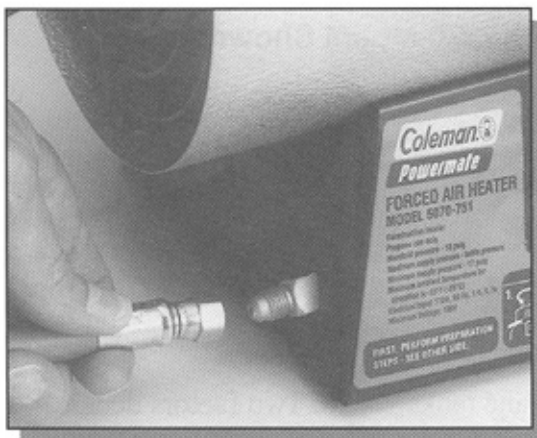
⚠ WARNING

Provide at least a 3-square-foot (0.3 m²) opening of fresh, outside air while running heater. If proper outside air ventilation is not provided, carbon monoxide poisoning can occur. Provide proper outside air ventilation before running heater.

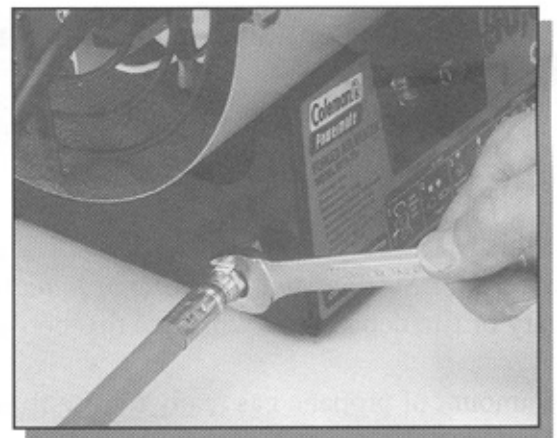
⚠ WARNING

Test all gas piping and connections for leaks after preparation or servicing. Never use an open flame to check for a leak. Apply a mixture of liquid soap and water to all joints. Bubbles forming show a leak. Correct all leaks before using product.

1. Determine propane supply needed. (*See Propane Supply*).
2. Connect hose to inlet connector. Tighten firmly in **clockwise** direction using $\frac{9}{16}$ " wrench.



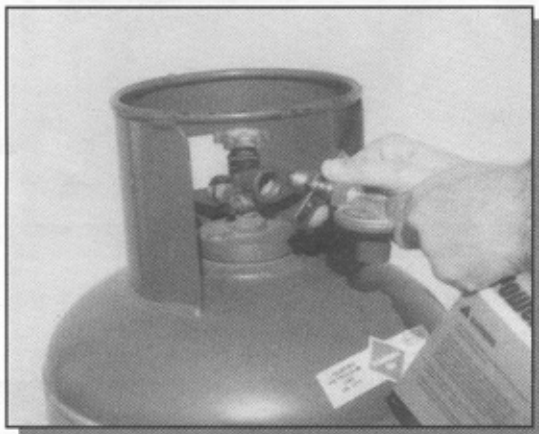
Hose and Inlet Connector



Tighten with Wrench

Continued

3. Connect POL fitting on hose/regulator assembly to propane tank(s). Turn POL fitting **counterclockwise** into threads on tank. Tighten firmly. **IMPORTANT:** Tighten regulator with vent pointing down. Pointing vent down protects regulator from weather damage.



Regulator With Vent Pointing Down

4. Open valve on propane tank(s) slowly. *Note:* If not opened slowly, excess-flow check valve on propane tank will stop gas flow. If this happens, close propane valve and open again slowly.
5. Check all connections for leaks. Apply mixture of liquid soap and water to gas joints. Bubbles forming show a leak that must be corrected before using heater.
6. Close propane supply valve.

⚠ WARNING

Review and understand the warnings in the **General Safety Information Section**. They are needed to safely operate this heater. Follow all local ordinances or codes when using this heater.

To Start Heater

1. Follow all preparation, ventilation, and safety information.
2. Locate heater on stable and level surface. Make sure strong drafts do not blow into front or rear of heater. Do not use in areas directly exposed to water spray, rain, and/or dripping water.
3. Open valve on propane tank(s) slowly. *Note:* If not opened slowly, excess-flow check valve on propane tank will stop gas flow. If this happens, close propane valve and open again slowly.

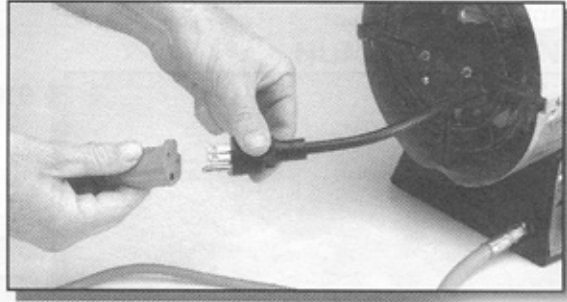


PREPARATION
Continued

OPERATION

Continued

4. Plug power cord of heater into a three-prong, grounded extension cord. Extension cord must be at least six feet long. **Extension cord must be UL listed.**



Extension Cord Size Requirement

Up to 50 feet (15 m) long, use 18 AWG rated cord.

51 to 100 feet (30 m) long, use 16 AWG rated cord.

101 to 200 (61 m) feet long, use 14 AWG rated cord.

5. Plug extension cord into a 120 volt/60 hertz, three-hole, grounded outlet. The motor will start, turning the fan forcing air through the heater.

6. To light:

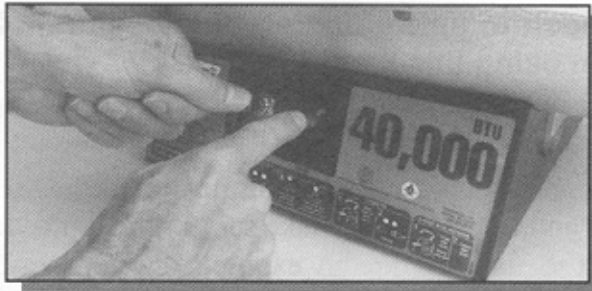
Model 5070

Push in and hold automatic valve button. Push ignitor (Red) button. You may need to push the ignitor button 3 – 8 times until heater lights. *Note:* Hose may be filled with air. If so, keep automatic valve button pressed and wait 20 seconds before pressing ignitor again.

When heater lights, keep automatic valve button pushed in. Release button after 30 seconds.

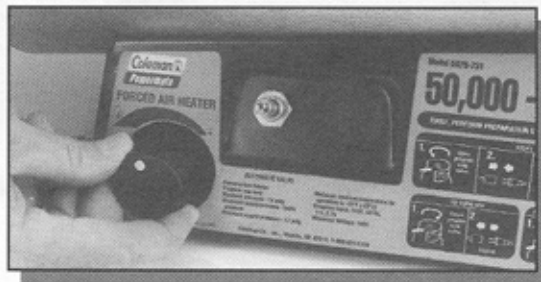
Model 5072 & 5075

Push in & hold automatic valve button. **NOTE:** Hose may be filled with air. If so, continue to keep automatic valve button pressed. When heater lights, keep automatic valve button



5070-751 Model Shown

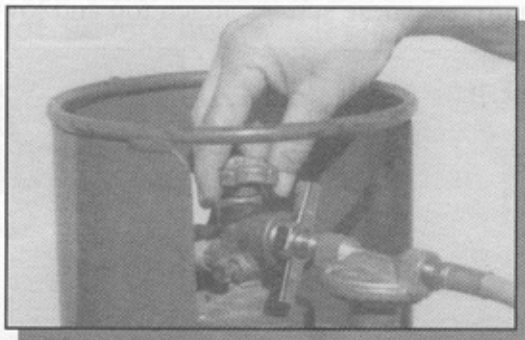
7. If heater goes out, repeat step 6.
8. Adjust burner valve to desired heat level. (5075-751 Model only)



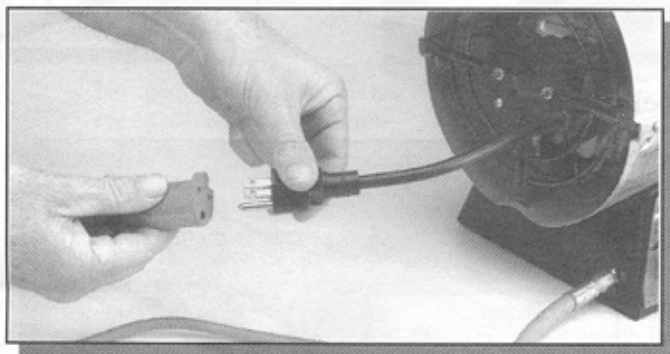
Continued

To Stop Heater

1. Tightly close valve on propane tank(s).



2. Wait a few seconds. Heater will burn gas left in hose.
3. Unplug heater.



⚠ WARNING

Disconnect heater from propane supply tank(s) before storage.

1. Store propane tank(s) in safe manner. See Chapter 5 of *Standard for Storage and Handling of Liquefied Petroleum Gases, ANSI/NFPA 58*. Follow all local codes.
2. Place plastic cover caps over brass fittings on inlet connection and hose/regulator assembly of heater.
3. Store heater in a dry, clean, and safe place.

⚠ WARNING

Never attempt to service heater while it is plugged in, connected to propane supply, operating or hot. Severe burns and electrical shock can occur.

1. Keep heater clean. Clean heater annually or as needed to remove dust and debris. If heater is dirty or dusty, clean heater with a damp cloth.
2. Inspect heater before each use. Check connections for leaks. Apply mixture of liquid soap and water to connections. Bubbles forming show a leak. Correct all leaks before using heater.
3. Inspect propane hose/regulator assembly before each use. Replace hoses that have excessive wear, abrasion, or cuts. Inspect "O" ring for damage. Replace if cut or cracked.
4. Have heater inspected yearly by service person.
5. Keep inside of heater free from combustible and foreign objects.

OPERATION
Continued

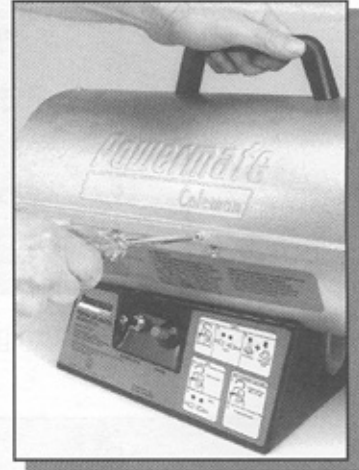
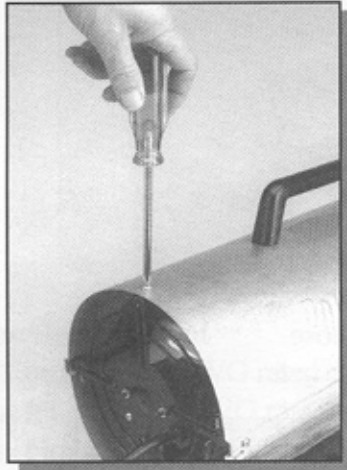
STORAGE

MAINTENANCE

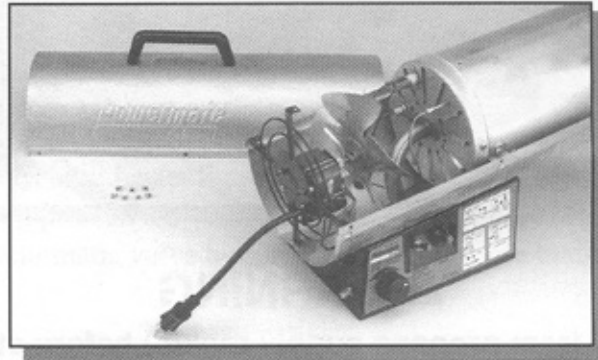
Continued

6. FAN - Clean every 500 hours of operation or as needed.

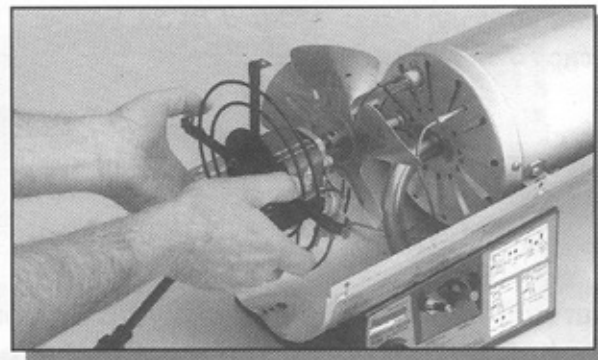
- A. Remove screws along each side of heater and on top of the motor guard using a phillips screwdriver. These screws attach top and lower shells together.



- B. Lift top shell off.



- C. Lift out motor/guard assembly.



IMPORTANT: Do not allow the motor/guard assembly to rest on the fan or damage may be caused to the blades.

- D. Clean fan using soft cloth moistened with kerosene or solvent. Dry fan thoroughly. Clean inside the shell adjacent to where the fan runs.
E. Replace motor/guard assembly and top shell.

7. ELECTRODE

- A. Make sure gap between electrode wire and burner nozzle is .20 (0.5 cm) to .25" (0.6 cm). Access electrode from inside combustion chamber. No other maintenance is needed for electrode.

Continued

⚠ WARNING

**TROUBLE-
SHOOTING**

Never attempt to service heater while it is plugged in, connected to propane supply, operating or hot. Severe burns and electrical shock can occur.

<u>SYMPTOM</u>	<u>POSSIBLE CAUSE</u>	<u>REMEDY</u>
Fan does not turn when heater is plugged in.	No electrical power to heater	Check voltage to electrical outlet. If voltage is good, check heater power cord for breaks.
	Fan blades bent	Replace fan. See <i>Replacing Fan</i> , Page 13.
	Defective motor	Replace motor. See <i>Replacing Motor</i> , page 12.
Heater will not ignite.	User did not follow preparation or operation instructions properly	Repeat preparation and operation instructions. See <i>Preparation</i> , pages 6 & 7 and <i>Operation</i> , pages 7, 8 & 9.
	No spark at electrode. To test for spark, follow step 9 under <i>Replacing Electrode</i> , page 13. If you see spark at ignitor, have heater serviced by qualified service person. If no spark seen:	
	A) Loose or disconnected ignitor wire	A) Check ignitor wire. Tighten or reattach loose ignitor wire. See page 5 for ignitor wire location.
	B) Wrong spark gap	B) Set gap between ignitor electrode and target plate to .20" (0.5 cm).
	C) Piezo ignitor loose	C) Tighten piezo ignitor to base of heater.
	D) Bad electrode	D) Replace electrode. See <i>Replacing Electrode</i> , page 13.
	E) Bad piezo ignitor	E) Replace ignitor.
Heater shuts down while running.	F) Bad electronic module	F) Replace electronic module.
	High surrounding air temperature causing thermal limit device to shut down heater.	This can happen when running heater in temperatures above 85°F (29°C). Run heater in cooler temperatures.
	Restricted air flow	Check heater inlet and outlet. Remove any obstructions.
⚠ WARNING Use only in areas free of high dust content.	Damaged fan	Replace fan. See <i>Replacing Fan</i> , page 13.
	Excessive dust or debris in surrounding area	Clean heater. See <i>Maintenance</i> , pages 9 & 10.

<u>ITEM</u>	<u>HOW OFTEN</u>	<u>HOW TO</u>
Fan	Clean every 500 hours of operation or as needed.	See Fan, page 10
Electrode	Clean and regap every 500 hours of operation or replace as needed.	See Electrode, page 10

**PREVENTIVE
MAINTENANCE
SCHEDULE**

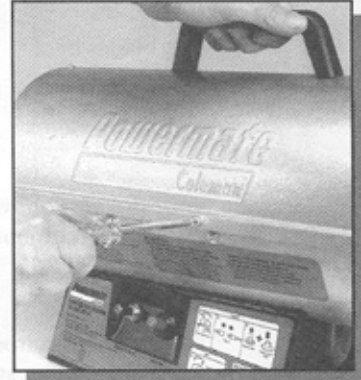
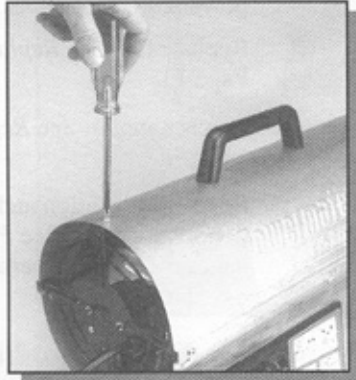
Continued

⚠ WARNING ⚠

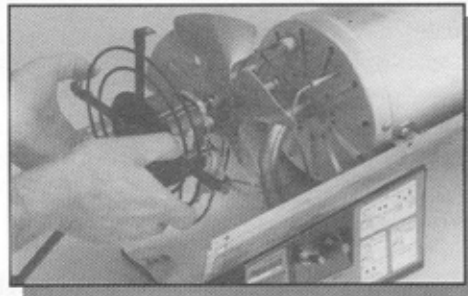
Never attempt to service heater while it is plugged in, connected to propane supply, operating, or hot. Severe burns and electrical shock can occur.

REPLACING MOTOR

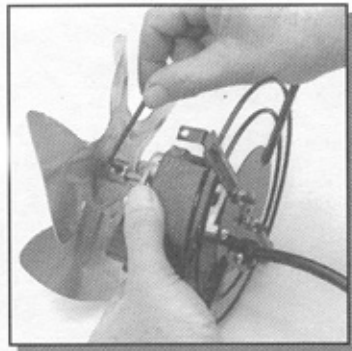
1. Remove top shell (see FAN under maintenance).



2. Lift out motor/guard assembly.



3. Use a 1/8" hex wrench to loosen setscrew which holds fan to motor shaft.



4. Remove fan from motor shaft (it may be necessary to pry the fan from the shaft) being careful not to damage the blades.
5. Remove the ground wire screw and two wire leads from the motor.
6. Remove two nuts and two screws which attach the motor to the guard.
7. Discard motor.
8. Attach new motor to guard using two screws and nuts.
9. Replace fan on shaft with approx. 3/8" (1 cm) of shaft showing through fan hub.
10. Tighten setscrew firmly (40-50 inch pounds).
11. Install ground wire and wire leads to motor.
12. Set motor/guard assembly in the lower shell. Turn fan to check for interference.
13. Install the top shell.

Continued

REPLACING FAN

1. Remove motor/guard assembly (follow steps 1 through 4 above).
2. File the setscrew mark off the motor shaft.
3. Replace fan (follow steps 9 through 13 above).

REPLACING ELECTRODE

1. Remove shell and motor/guard assembly (see FAN under maintenance).
2. Pull wire off of electrode.
3. Remove screw holding electrode to diffuser.
4. Remove electrode from diffuser.
5. Place new electrode in diffuser.
6. Install screw, insure electrode gap is .20 (0.5 cm) to .25 (0.6 cm) inch.
7. Push ignitor wire on electrode wire.
8. Reinstall motor/guard assembly and upper shell.
9. For Model 5070, push ignitor button and check for spark between deflector and electrode. For Models 5072 & 5075 check for sparks between deflector & electrode after plugging in. **Do not connect propane supply.**

FORCED AIR HEATER SPECIFICATIONS

40,000 BTU/HR - MODEL 5070

Input Rating (BTU/HR)	40,000
Fuel	Propane Vapor Only
Fuel Consumption	
Gallons/Hour	.44 (1.7 L)
Pounds/Hour	1.8 (0.8 kg)
Regulator Output Pressure	10 PSI (70 kPa)
Hose	10 Ft. (3 m)
Hot Air Output (CFM Approx.)	150
Motor	3,000 RPM
Power Required	115 Volt/60 Hz
Amps	1.1
Ignition	Manual/Piezo
Weight (pounds)	14 (6.4 kg)
Size (HWL) (IN)	14 x 8.5 x 16.5
	(35.6 x 21.6 x 41.9 cm)
Temperature Operating Range	-10°F to 85°F
	(-23° to 29.4°C)

FORCED AIR HEATER SPECIFICATIONS

60,000 BTU/HR - MODEL 5072

Input Rating (BTU/HR)	60,000
Fuel	Propane Vapor Only
Fuel Consumption	
Gallons/Hour	.7 (2.6 L)
Pounds/Hour	2.7 (1.2 kg)
Regulator Output Pressure	10 PSI (70 kPa)
Hose	10 Ft. (3 m)
Hot Air Output (CFM Approx.)	300
Motor	3,000 RPM
Power Required	115 Volt/60 Hz
Amps	2.6
Ignition	Electronic Module
Weight (pounds)	17 (7.7 kg)
Size (HWL) (IN)	14 x 8.5 x 22.5
	(35.6 x 21.6 x 57.2 cm)
Temperature Operating Range	-10°F to 85°F
	(-23° to 29.4°C)

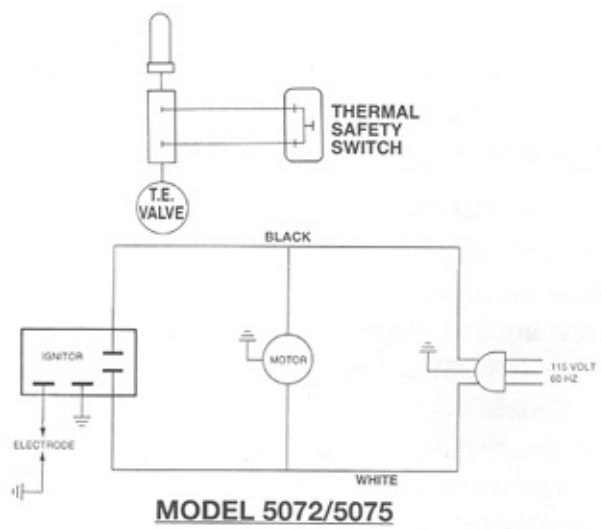
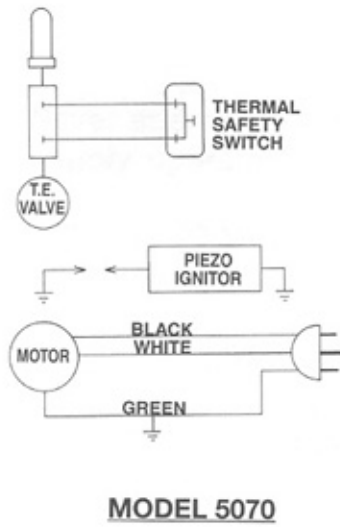
FORCED AIR HEATER SPECIFICATIONS

50,000 TO 80,000 BTU/HR - MODEL 5075

Input Rating (BTU/HR)	80,000 Max
Fuel	Propane Vapor Only
Fuel Consumption	
Gallons/Hour	.9 (3.4 L)
Pounds/Hour	3.7 (1.7 kg)
Regulator Output Pressure	10 PSI (70 kPa)
Hose	10 Ft. (3 m)
Hot Air Output (CFM Approx.)	300
Motor	3,000 RPM
Power Required	115 Volt/60 Hz
Amps	2.6
Ignition	Electronic Module
Weight (pounds)	17 (7.7 kg)
Size (HWL) (IN)	14 x 8.5 x 22.5
	(35.6 x 21.6 x 57.2 cm)
Temperature Operating Range	-10°F to 85°F
	(-23° to 29.4°C)

SPECIFICATIONS

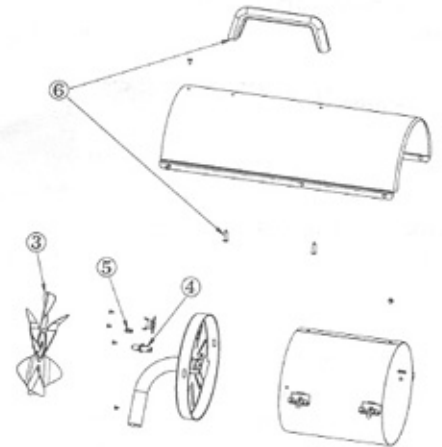
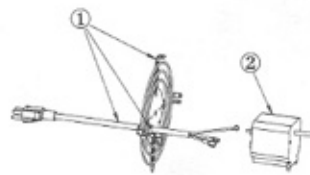
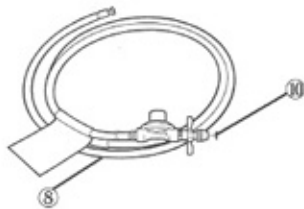
WIRING DIAGRAM



REPLACEMENT PARTS

⚠ WARNING

Use only original replacement parts. Do not substitute or use generic parts. Improper replacement parts could cause serious or fatal injuries.



I.D. NO.	PART NO.	DESCRIPTION
1	5070-2851	Guard & Pigtail Assembly
2	5075-2801	Motor (5072 & 5075 Models)
	5070-2801	Motor (5070 Model)
3	5070-2891	Fan Blade for Heater (5070 Model)
	5075-2891	Fan Blade for Heater (5072 & 5075 Models)
4	5070-3111	Electronic Ignition Assembly
5	5070-3271	Thermocouple & Clip
	5075-3271	Thermocouple, Clip & Spacer
6	5070-2001	Handle & Screws
7	5070-2181	Gas Tip (5070 Model)
	5072-2181	Gas Tip (5072 Model)
	5075-2181	Gas Tip (5075 Model)
8	5080-5651	Hose & Regulator (Powermate)
9	5080-1491	Knob & Screw
10	5410A1381	O-ring
11	5075-3001	E.I. Module Assembly (5072 & 5075 Models)

