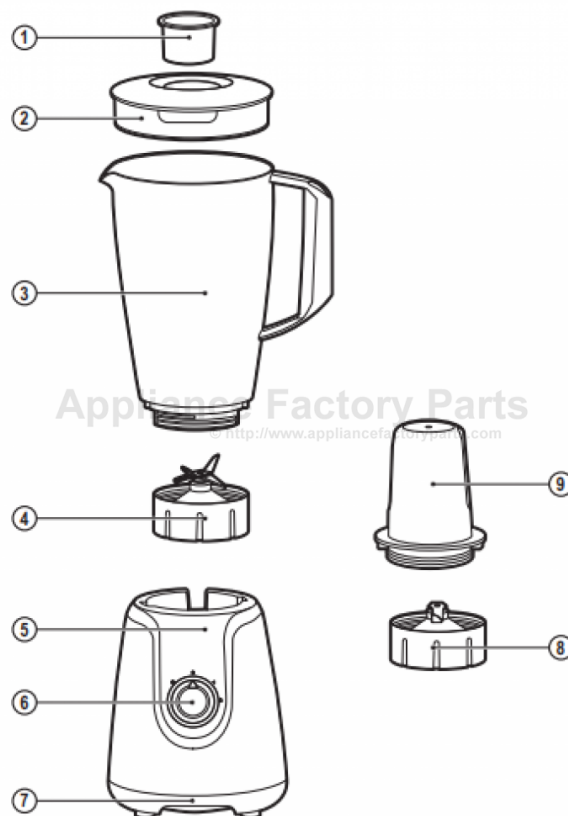


This Owner's Manual is provided and hosted by [Appliance Factory Parts](http://www.appliancefactoryparts.com).



Black & Decker BX440G Owner's Manual

[Shop genuine replacement parts for Black & Decker
BX440G](#)



[Find Your Black & Decker Blender Parts - Select From 63 Models](#)

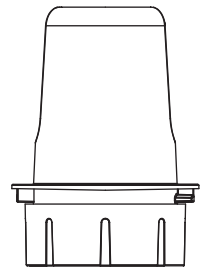
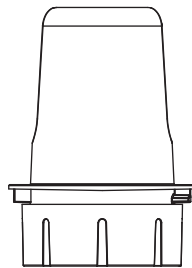
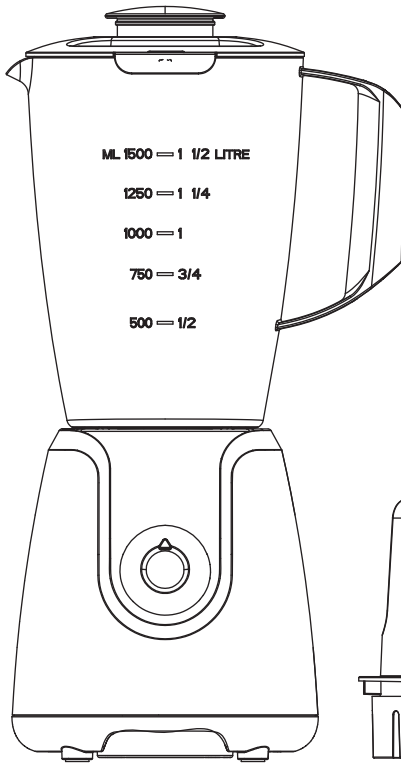
----- Manual continues below -----

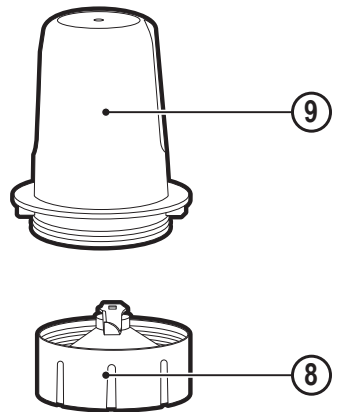
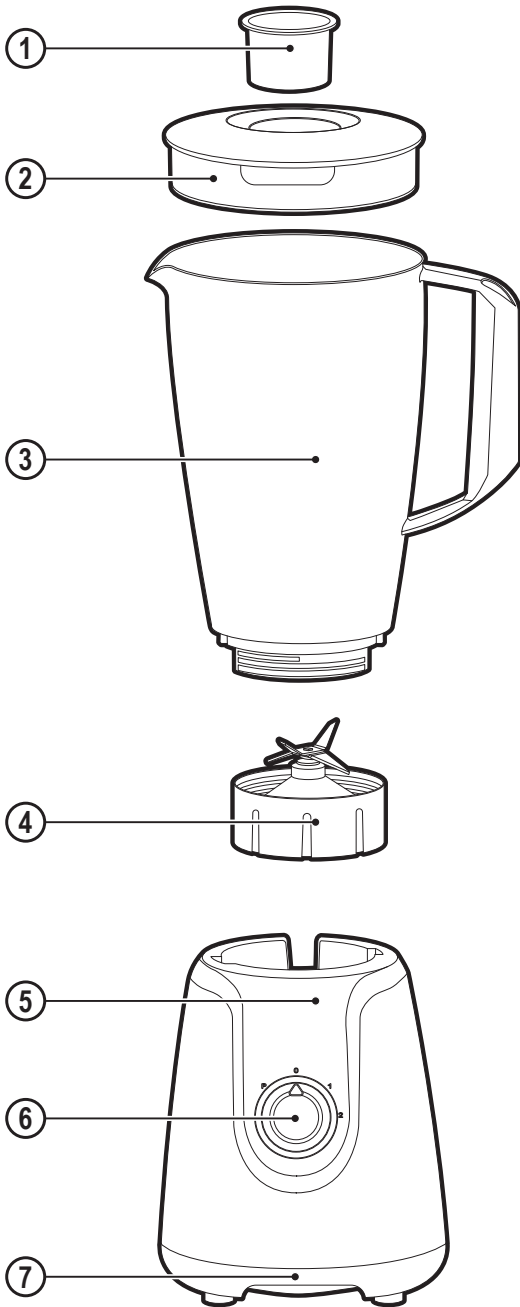


EN

FR

AR





Safety instructions

- Warning! When using mains-powered appliances, basic safety precautions, including the following, should always be followed to reduce the risk of fire, electric shock, personal injury and material damage.
- Read all of this manual carefully before using the appliance.
- The intended use is described in this manual. The use of any accessory or attachment or the performance of any operation with this appliance other than those recommended in this instruction manual may present a risk of personal injury.
- Retain this manual for future reference.
- Always route the cord carefully so it does not hang over the edge of a worktop and cannot be caught accidentally or tripped over.
- Never operate an appliance directly below the socket-outlet it is connected to.
- If the supply cord is damaged, it must be replaced by the manufacturer, its service agent or similarly qualified persons in order to avoid a hazard.
- Use the blender according to this instruction, any misuse may cause electric shock or other hazards.

Intended use

Your BLACK+DECKER™

BX430J/BX440G/BX440/BX4000/BX4030 blender has been designed for blending, mixing and crushing of solid and liquid food and beverage ingredients. This product is intended for household use only.

This appliance is not to be used in:

- Staff kitchen areas in shops, offices and other working environments;
- Farm houses;
- By clients in hotels, motels and other residential type environments;
- Bed and breakfast type environments;

Using your appliance

- Always take care when using the appliance.
- Never pull the power supply cord to disconnect the plug from the socket. Keep the power supply cord away from heat, oil and sharp edges.
- Do not place the appliance on or near heat sources or in a heated oven.
- Avoid spilling water on the Power Base.
- Do not use the appliance near flammable or explosive materials.
- Do not use the appliance outdoors.
- Operate the appliance only with dry hands.

- If the power supply cord is damaged during use, disconnect the appliance from the power supply immediately. Do not touch the power supply cord before disconnecting from the power supply.
- Disconnect the appliance from the power supply when not in use, before fitting or removing parts and before cleaning.
- This appliance is not intended to be operated by means of an external timer or separate remote-control system.
- The outer surface of the blender may become hot when in use.
- Allow moving parts to come to a stop before removing any cover.
- Allow moving parts to come to a stop before approaching.
- Unit must be attended in use
- Be careful if hot liquid is poured into the food processor or blender as it can be ejected out of the appliance due to a sudden steaming.

Safety of others

- This appliance is not intended for use by persons (including children) with reduced physical, sensory or mental capabilities, or lack of experience and knowledge, unless they have been given supervision or instruction concerning use of the appliance by a person responsible for their safety.
- Children should be supervised to ensure that they do not play with the appliance.
- Do not allow children or any person unfamiliar with these instructions to use the appliance.
- Do not allow children or animals to come near the work area or to touch the appliance or power supply cord.
- Close supervision is necessary when the appliance is used near children

After use

- Switch off, remove the plug from the socket and let the appliance cool down before leaving it unattended and before changing, cleaning or inspecting any parts of the appliance.
- When not in use, the appliance should be stored in a dry place. Children should not have access to stored appliances.

Inspection and repairs

- Before use, check the appliance for damaged or defective parts. Check for breakage of parts, damage to switches and any other conditions that may affect its operation.
- Do not use the appliance if any part is damaged or defective.

- Have any damaged or defective parts repaired or replaced by an authorised repair agent.
- Before use, check the power supply cord for signs of damage, ageing and wear.
- Do not use the appliance if the power supply cord or mains plug is damaged or defective.
- If the power supply cord or mains plug is damaged or defective it must be repaired by an authorised repair agent in order to avoid a hazard. Do not cut the power supply cord and do not attempt to repair it yourself.
- Never attempt to remove or replace any parts other than those specified in this manual.

Electrical safety



Your charger is double insulated; therefore no earth wire is required. Always check that the mains voltage corresponds to the voltage on the rating plate. Never attempt to replace the charger unit with a regular mains plug.

- If the supply cord is damaged, it must be replaced by the manufacturer or an authorised BLACK+DECKER Service Centre in order to avoid a hazard.



To avoid the risk of electric shock, do not immerse the cord, plug or appliance in water or other liquid.

Features

1. Measuring cup
2. Jar cover
3. Jar
4. Blending blade assembly
5. Motor unit
6. Control knob
7. Base
8. Grinding blade assembly
9. Grinding bowl

Before first use

- Remove all packaging from the appliance.
- Clean the appliance before first use.
- Check that all parts are complete and not damaged.
- Choose the appropriate attachment to perform your desired task:
- The blender attachment is suitable for blending fruits or vegetables or crushing ice.
- The grinder attachment is for grinding coffee beans.

Warning! The blades are sharp, handle with great care and ensure that you unplug the appliance from power outlet before assembling and removing parts.

Blender operation

- Place the motor unit (5) on a flat horizontal surface and make sure it is unplugged.
- Open the jar cover (2) by turning anticlockwise and place it on the surface.
- Peel or core the fruits or vegetables and cut into small pieces, then put them into the jar.
- Add an amount of purified water has to facilitate the smooth running of the appliance.
- The amount of mixture should not exceed the max level as indicated on the jar, nor sit lower than the min level. The best proportion of the fruits or vegetables and water is 2:3.

Note: The blender is not suitable for beating egg white, mashing potatoes, mixing dough or extracting juice from fruit and vegetables.

- Replace jar cover (2) on the jar (3) and turn it clockwise.
- Put the blending blade assembly (4) onto the jar bottom and then rotate it anticlockwise to fix it onto the jar (3).
- Place the jar (3) onto the motor unit (5) and then rotate it clockwise until it is fixed tightly onto the motor unit.

Note: There is a safety interlock device at the bottom of the jar, if the jar is not assembled in place, the blender will not operate.

- You may add ingredients into the jar (3) through the center opening of the jar cover (2) during operation, then replace the measuring cup (1) into position.
- Make sure that the Control Knob (6) is set to "O" position, then connect the appliance to the power outlet.
- Turn Control Knob (6) to select your desired setting, the appliance will start blending. During blending, you can turn the Control Knob to "Pulse" position without releasing it if you want to accelerate the process of blending.

Note: Make sure the jar cover (2) is placed in position completely before operation, and never open the jar cover (2) during operation.

Note: Do not run the appliance for more than 3 minutes per time, and wait until the unit is cooled to room temperature before performing next operation cycle.

- Turn the Control Knob (6) to "O" position once the mixture has been blended to your desired consistency.
- Turn the jar (3) anti-clockwise and remove it from the motor unit (5), carefully remove the jar cover (2), then pour and serve.

Grinder operation

- Place the motor unit (5) on a flat horizontal surface and make sure it is unplugged.
- Fill the grinding bowl (9) with coffee beans, and then put the grinding blade assembly (8) onto the grinding bowl bottom and rotate it anticlockwise to fix it onto the grinding bowl (9).

Note: The maximum quantity of coffee beans the grinding bowl allows to grind is 50g.

- Assemble the grinder attachment (8) onto the motor unit.

Note: There is a safety interlock device at the bottom of motor unit, if the grinder is not assembled in place, the grinder will not operate.

- Make sure that the Control Knob (6) is set to the "O" position before operation, then connect the appliance to the power outlet.
- Select the desired speed setting on the Control Knob (6), the appliance will start to grind. During grinding, you can turn the Control Knob (6) to "Pulse" position without releasing it if you want to accelerate the process of grinding.
- Disconnect from the power supply once finished. And then disassemble the grinder attachment from the unit, keep the grinding bowl downward and turn it anticlockwise, then empty the bowl and serve.

Note: Do not run the appliance for more than 30 second per time, and wait until the unit is cooled to room temperature before performing next operation cycle.

Cleaning and Maintenance

Before performing any maintenance:

- Switch off and disconnect from the mains supply.
- Wait for the appliance to completely cool down.

Warning! Do not immerse the appliance, the base, the cord set or the plug in water or any other liquid.

- Wipe the exterior with a damp cloth.
- Do not use scouring pads.
- If necessary, use a mild detergent to remove spots.
- Do not use any abrasive or solvent based cleaner.
- Do not immerse the power base in water or any other liquid.

CAUTION: Ensure that the blender is switched off before removing it from the stand.

For blender attachment:

The Auto Clean function can clean the blender easily and rapidly in complete safety.

- Pour a little warm soapy water into the jar (3) and turn the Control Knob (6) to "1" position and run the appliance for a few seconds.
- Disassemble the jar from the motor unit and rinse it under running water, then detach the blending blade assembly from the jar assembly, detach the measure cup from the jar cover. Finally, rinse the jar, blending blade assembly, jar cover and measuring cup under running water.
- Dry all parts and then assemble them.

For grinder attachment:

- Rotate the grinding blade assembly clockwise to detach it from the grinding bowl, and then rinse the grinding blade assembly and the grinding bowl under running water.
- Dry all parts and then assemble them.

Mains plug replacement

If a new mains plug needs to be fitted:

- Safely dispose of the old plug.
- Connect the brown lead to the live terminal in the new plug.
- Connect the blue lead to the neutral terminal.
- If the product is class I (earthed), connect the green/yellow lead to the earth terminal

Note! If your product is class II double insulated (only 2 wires in the cord set), no connection is to be made to the earth terminal.

Follow the fitting instructions supplied with good quality plugs. Any replacement fuse must be of the same rating as the original fuse supplied with the product.

Warning! The above section on mains plug replacement is for authorized service centre persons.

Protecting the environment



Separate collection. This product must not be disposed of with normal household waste.

Should you find one day that your BLACK+DECKER product needs replacement, or if it is of no further use to you, do not dispose of it with other household waste. Make this product available for separate collection.

- BLACK+DECKER provides a facility for recycling BLACK+DECKER products once they have reached the end of their working life. This service is provided free of charge. To take advantage of this service please return your product to any authorised repair agent who will collect them on our behalf.
- You can check the location of your nearest authorised repair agent by contacting your local BLACK+DECKER office at the address indicated in this manual. Alternatively, a list of authorized BLACK+DECKER repair agents and full details of our after-sales service and contact are available on the Internet at: www.2helpU.com.

Technical Data

BX430J/BX440G/ BX440/BX4000/BX4030	
Voltage/Frequency	220-240V ~ 50-60Hz
Power input	400W

Product	Quantity	
	Blender Jar	Grinder
BX430J	2	1
BX440G	1 (glass)	2
BX440	1	2
BX4000	1	2
BX4030	1	1

Warranty

BLACK+DECKER is confident of the quality of its products and offers an outstanding warranty.

This warranty statement is in addition to and in no way prejudices your statutory rights.

If a BLACK+DECKER product becomes defective due to faulty materials, workmanship or lack of conformity, within 24 months from the date of purchase, BLACK+DECKER warranty to replace defective parts, repair products subjected to fair wear and tear or replace such products to ensure minimum inconvenience to the customer unless:

- The product has been used for trade, professional or hire purposes;
- The product has been subjected to misuse or neglect;
- The product has sustained damage through foreign objects, substances or accidents;
- Repairs have been attempted by persons other than authorised repair agents or BLACK+DECKER service staff.

To claim on the warranty, you will need to submit proof of purchase to the seller or an authorised repair agent. You can check the location of your nearest authorised repair agent by contacting your local BLACK+DECKER office at the address indicated in this manual.

Alternatively, a list of authorised BLACK+DECKER repair agents and full details of our after-sales service and contacts are available on the Internet at: www.2helpU.com.

Consignes de sécurité

- Avertissement ! L'utilisation d'appareils électriques requiert le respect des consignes de sécurité de base, notamment celles qui sont indiquées ci-après, afin de réduire le risque d'incendie, d'électrocution, de blessure corporelle et de dégâts matériels.
- Lisez attentivement ce manuel dans son intégralité avant d'utiliser l'appareil.
- L'usage prévu est décrit dans le présent manuel.
- L'utilisation d'un accessoire ou d'une pièce jointe ou l'exécution de toute opération avec cet appareil autre que celles qui sont recommandées dans ce mode d'emploi peuvent présenter un risque de blessure.
- Conservez ce manuel à titre de référence.
- Placez toujours le cordon avec précaution, afin qu'il ne pende pas du bord d'un plan de travail et d'éviter tout accrochage et trébuchement accidentels.
- Ne faites jamais fonctionner un appareil directement en dessous de la prise de courant sur laquelle il est branché.
- Si le cordon d'alimentation est endommagé, faites-le remplacer par le fabricant, un agent de service agréé ou toute autre personne avec les mêmes qualifications afin d'éviter tout danger.
- Utilisez le mixeur conformément à ces instructions. Toute mauvaise utilisation peut entraîner un choc électrique ou d'autres dangers.

Usage prévu

Votre mixeur BLACK+DECKER™ BX430J/BX440G/BX440/BX4000/BX4030 a été conçu pour mélanger, mixer et broyer des aliments solides et liquides et des ingrédients de boissons. Ce produit est destiné à un usage domestique uniquement.

Cet appareil ne doit pas être utilisé :

- dans les cuisines pour les employés de boutiques, de bureaux et d'autres environnements professionnels ;
- dans les fermes ;
- par les clients d'hôtels, de motels et autres environnements de type résidentiel ;
- dans des environnements du type petit-déjeuner au lit.

Utilisation de l'appareil

- Utilisez toujours l'appareil avec précaution.
- Ne tirez jamais sur le cordon d'alimentation pour débrancher la fiche du secteur. Maintenez le cordon d'alimentation à l'écart des sources de chaleur, de l'huile et des bords tranchants.
- Ne posez pas l'appareil sur ou à proximité de sources de chaleur ou directement à l'intérieur d'une cuisinière en marche.
- Évitez de répandre de l'eau sur le socle d'alimentation.
- N'utilisez pas l'appareil à proximité de matières inflammables ou explosives.
- N'utilisez pas l'appareil à l'extérieur.

- Faites fonctionner l'appareil uniquement avec les mains sèches.
- Si le cordon d'alimentation est endommagé pendant l'utilisation, débranchez immédiatement l'appareil. Ne touchez pas le cordon d'alimentation avant de le débrancher.
- Débranchez l'appareil avant le montage/démontage et le nettoyage des pièces.
- Cet appareil n'a pas été conçu pour fonctionner au moyen d'une minuterie externe ou d'un système de télécommande séparé.
- La surface extérieure du mixeur peut devenir très chaude durant l'utilisation.
- Veillez toujours à attendre l'arrêt total des pièces en mouvement avant de retirer le couvercle.
- Veillez toujours à attendre l'arrêt total des pièces en mouvement avant de vous approcher de l'appareil.
- L'appareil doit être surveillé durant son utilisation.
- Faites preuve de prudence lorsque vous versez un liquide chaud dans le robot ou le mixeur, car il peut être éjecté hors de l'appareil à cause d'une production soudaine de vapeur.

Sécurité d'autrui

- Cet appareil n'est pas prévu pour être utilisé par des personnes (y compris les enfants) présentant des capacités physiques, sensorielles ou mentales réduites, ou manquant d'expérience et de connaissances, sans surveillance ou sans avoir reçu d'instructions concernant l'utilisation de l'appareil de la part d'une personne responsable de leur sécurité.
- Les enfants doivent être surveillés pour s'assurer qu'ils ne jouent pas avec l'appareil.
- Ne laissez pas les enfants et les personnes non familiarisées avec ces instructions utiliser cet appareil.
- Ne laissez pas les enfants ou les animaux s'approcher de la zone de travail ou toucher l'appareil ou le cordon d'alimentation.
- Lorsque l'appareil est utilisé à proximité d'enfants, une surveillance étroite doit être exercée.

Après utilisation

- Éteignez et débranchez la fiche du secteur et laissez l'appareil refroidir avant de le laisser sans surveillance et avant d'en remplacer, nettoyer ou inspecter les pièces.
- Lorsqu'il n'est pas utilisé, l'appareil doit être rangé à un endroit sec. L'appareil doit être rangé hors de portée des enfants.

Inspection et réparations

- Avant d'utiliser l'appareil, vérifiez qu'aucune pièce n'est endommagée ou défectueuse. Vérifiez si des pièces ne sont pas cassées, si des interrupteurs ne sont pas endommagés, et toutes les autres conditions qui peuvent affecter son fonctionnement.
- N'utilisez pas l'appareil si une pièce est endommagée ou défectueuse.

- Faites réparer ou remplacer les pièces endommagées ou défectueuses par un agent de service agréé.
- Avant l'utilisation, vérifiez que le cordon d'alimentation ne présente pas de signes de dommages, de vieillissement et d'usure.
- N'utilisez pas l'appareil si la fiche ou le cordon d'alimentation est endommagé ou défectueux.
- Si la fiche ou le cordon d'alimentation est endommagé ou défectueux, sa réparation doit être effectuée par un agent de réparation agréé afin d'éviter tout danger. Ne coupez pas le cordon d'alimentation et n'essayez pas de le réparer par vos propres moyens.
- N'essayez jamais de retirer ou de remplacer des pièces différentes de celles qui sont indiquées dans le présent manuel.
- L'accessoire de broyage sert à broyer des grains de café.

Avertissement ! Les lames sont tranchantes. Manipulez-les avec grand soin et assurez-vous de débrancher l'appareil du secteur avec d'assembler ou de retirer des accessoires.

Fonctionnement du mixeur

- Placez le bloc moteur (5) sur une surface horizontale plate et assurez-vous qu'il est débranché.
- Ouvrez le couvercle (2) en le tournant dans le sens antihoraire et placez-le sur la surface.
- Pelez ou enlevez le cœur des fruits ou légumes, coupez-les en petits morceaux, puis mettez-les dans la cruche.
- Ajoutez de l'eau purifiée pour faciliter le bon fonctionnement de l'appareil.
- La quantité de mélange ne doit ni dépasser le niveau maximal indiqué sur la cruche, ni être inférieure au niveau minimal. La meilleure proportion de fruits ou de légumes et d'eau est de 2/3.

Remarque : Le mixeur n'est pas adapté au battage de blanc d'œuf, à la purée de pommes de terre, au malaxage de pâte ou à l'extraction du jus de fruits et de légumes.

- Remplacez le couvercle (2) sur la cruche (3) et tournez-le dans le sens horaire.
- Assemblez la lame de mixage (4) au bas de la cruche et tournez-la dans le sens antihoraire pour l'attacher à la cruche (3).
- Placez la cruche (3) sur le bloc moteur (5) et tournez-la dans le sens horaire jusqu'à ce qu'elle soit attachée au bloc moteur.

Remarque : Il y a un dispositif de verrouillage de sécurité au fond de la cruche afin que le mixeur ne puisse fonctionner tant que la cruche n'est pas correctement en place.

- Vous pouvez ajouter des ingrédients dans la cruche (3) par l'ouverture centrale dans le couvercle (2) durant le mixage, puis remplacez le doseur (1) en position.
- Assurez-vous que le bouton de commande (6) est réglé sur la position « O », puis branchez l'appareil sur le secteur.
- Tournez le bouton de commande (6) pour sélectionner le réglage désiré, l'appareil va commencer le mixage. Durant le mixage, vous pouvez tourner le bouton de commande dans la position « Pulse » sans le relâcher si vous voulez accélérer le processus de mixage.

Remarque : Assurez-vous que le couvercle (2) est parfaitement fermé avant de mettre en marche l'appareil, et n'ouvrez jamais le couvercle (2) durant son fonctionnement.

Sécurité électrique



Notre chargeur dispose d'une double isolation ; par conséquent, aucun fil de terre n'est nécessaire. Vérifiez toujours que la tension secteur correspond à celle de la plaque signalétique. N'essayez jamais de remplacer le chargeur par une fiche secteur principale.

- Si le cordon d'alimentation est abîmé, il doit être remplacé par le fabricant ou un centre de services agréé BLACK+DECKER afin d'éviter tout danger.



Pour éviter le risque d'électrocution, ne plongez pas le cordon, la fiche ou l'appareil dans de l'eau ou tout autre liquide.

Caractéristiques

1. Doseur
2. Couvercle
3. Cruche
4. Lame de mixage
5. Bloc moteur
6. Bouton de commande
7. Base
8. Lame de broyage
9. Récipient de broyage

Avant la première utilisation

- Déballez complètement l'appareil.
- Nettoyez l'appareil avant la première utilisation.
- Vérifiez que toutes les pièces sont complètes et qu'aucune n'est endommagée.
- Choisissez l'accessoire approprié pour exécuter la tâche désirée :
- L'accessoire de mixage sert à mixer des fruits, des légumes ou de la glace pilée.

Remarque : N'utilisez pas l'appareil pendant plus de 3 minutes à la fois, et attendez que l'appareil refroidisse à la température ambiante avant de l'utiliser à nouveau.

- Tournez le bouton de commande (6) dans la position « O » une fois que le mélange a la consistance désirée.
- Tournez la cruche (3) dans le sens antihoraire et retirez-la du bloc moteur (5), puis retirez le couvercle (2) avec précaution pour verser et servir.

Fonctionnement du broyeur

- Placez le bloc moteur (5) sur une surface horizontale plate et assurez-vous qu'il est débranché.
- Remplissez le récipient de broyage (9) avec des grains de café, puis placez la lame de broyage (8) sur le bas du récipient et tournez-la dans le sens antihoraire pour l'attacher au récipient de broyage (9).

Remarque : La quantité maximale de grains de café que vous pouvez broyer dans le récipient de broyage est de 50 g.

- Assemblez la lame de broyage (8) sur le bloc moteur.

Remarque : Il y a un dispositif de verrouillage de sécurité au fond du bloc moteur pour que le broyeur ne puisse fonctionner tant qu'il n'est pas correctement en place.

- Assurez-vous que le bouton de commande (6) est réglé sur la position « O » avant d'utiliser l'appareil, puis branchez l'appareil sur le secteur.
- Sélectionnez la vitesse désirée à l'aide du bouton de commande (6), l'appareil commence alors à broyer. Durant le broyage, vous pouvez tourner le bouton de commande (6) dans la position « Pulse » sans le relâcher si vous voulez accélérer le processus de broyage.
- Débranchez l'appareil de l'alimentation une fois terminé. Puis démontez l'accessoire de broyage du bloc moteur. En gardant le récipient de broyage orienté vers le bas, tournez-le dans le sens antihoraire, puis videz le récipient et servez.

Remarque : N'utilisez pas l'appareil pendant plus de 30 secondes à la fois, et attendez que l'appareil refroidisse à la température ambiante avant de l'utiliser à nouveau.

Nettoyage et entretien

Avant d'effectuer toute opération d'entretien :

- Mettez l'appareil hors tension et débranchez-le du secteur.
- Laissez l'appareil se refroidir complètement.

Avertissement ! Ne plongez pas l'appareil, le socle ou le cordon ou la fiche dans l'eau ou tout autre liquide.

- Essuyez les surfaces extérieures avec un chiffon humide.
- N'utilisez pas d'éponge à récurer.

- En cas de besoin, utilisez un détergent doux pour retirer les taches.
- N'utilisez pas d'agent nettoyant abrasif ou à base de solvant.
- Ne plongez pas la base de l'appareil et le bloc moteur dans de l'eau ou tout autre liquide.

ATTENTION : Vérifiez que la cruche de mixage est éteinte avant de la retirer du support.

Accessoires de mixage :

- La fonction de nettoyage automatique peut nettoyer la lame facilement et rapidement en toute sécurité.
- Versez un peu d'eau savonneuse chaude dans la cruche (3), tournez le bouton de commande (6) sur « 1 » et utilisez l'appareil pendant quelques secondes.
- Démontez la cruche du bloc moteur et rincez-la sous l'eau courante, puis détachez la lame de mixage de la cruche et le doseur du couvercle. Finalement, rincez la cruche, la lame de mixage, le couvercle et le doseur sous l'eau courante.
- Séchez toutes les pièces puis assemblez-les.

Accessoires de broyage :

- Faites tourner la lame de broyage dans le sens horaire pour la détacher du récipient de broyage, puis rincez la lame de broyage et le récipient de broyage sous l'eau courante.
- Séchez toutes les pièces puis assemblez-les.

Changement de la fiche

En cas de besoin de montage d'une nouvelle fiche :

- Mettez dûment l'ancienne fiche au rebut.
- Connectez le fil marron à la borne sous tension de la nouvelle fiche.
- Connectez le fil bleu à la borne neutre.
- Si le produit est de classe I (mis à la terre), connectez le fil vert/jaune à la borne de terre.

Remarque ! Si vous disposez d'un produit à double isolation de classe II (2 fils uniquement dans le cordon), aucun raccordement à la borne de terre n'est nécessaire.

Suivez les consignes d'installation fournies avec les fiches de bonne qualité. Tout fusible de rechange doit avoir les mêmes caractéristiques nominales que le fusible d'origine fourni avec le produit.

Avertissement ! La section ci-dessus concernant le remplacement de la fiche électrique s'adresse au personnel des centres de service agréés.

Protection de l'environnement



Collecte séparée. Ce produit ne doit pas être jeté avec les déchets domestiques normaux.

Si vous décidez de remplacer ce produit BLACK+DECKER, ou si vous n'en avez plus l'utilité, ne le jetez pas avec vos déchets domestiques. Rendez-le disponible pour une collecte séparée.

- BLACK+DECKER fournit un dispositif permettant de collecter et de recycler les produits BLACK+DECKER lorsqu'ils ont atteint la fin de leur cycle de vie. Pour pouvoir profiter de ce service, veuillez retourner votre produit à un réparateur agréé qui se chargera de le collecter pour nous.
- Pour connaître l'adresse du réparateur agréé le plus proche de chez vous, contactez le bureau BLACK+DECKER à l'adresse indiquée dans ce manuel. Vous pourrez aussi trouver une liste des réparateurs agréés de BLACK+DECKER et de plus amples détails sur notre service après-vente sur le site Internet à l'adresse suivante : www.2helpU.com

Caractéristiques techniques

BX430J/BX440G/ BX440/BX4000/BX4030	
Tension/Fréquence	220-240V ~ 50-60Hz
Alimentation électrique	400W

Produit	Quantité	
	Cruche de mixage	Broyeur
BX430J	2	1
BX440G	1 (verre)	2
BX440	1	2
BX4000	1	2
BX4030	1	1

Garantie

BLACK+DECKER est confiant dans la qualité de ses produits et vous offre une garantie très étendue.

Ce certificat de garantie est un document supplémentaire et ne peut en aucun cas se substituer à vos droits légaux.

Si un produit BLACK+DECKER s'avère défectueux en raison de matériaux en mauvaises conditions, d'une erreur humaine, ou d'un manque de conformité dans les 24 mois suivant la date d'achat, BLACK+DECKER garantit le remplacement des pièces défectueuses, la réparation des produits usés ou cassés ou remplace ces produits à la convenance du client, sauf dans les circonstances suivantes:

- Le produit a été utilisé dans un but commercial, professionnel, ou a été loué.
- Le produit a été mal utilisé ou avec négligence.
- Le produit a subi des dommages à cause d'objets étrangers, de substances ou à cause d'accidents.
- Des réparations ont été tentées par des techniciens ne faisant pas partie du service technique de BLACK+DECKER

Pour avoir recours à la garantie, il est nécessaire de fournir une preuve d'achat au vendeur ou à un réparateur agréé. Pour connaître l'adresse du réparateur agréé le plus proche de chez vous, contactez le bureau BLACK+DECKER à l'adresse indiquée dans ce manuel.

Vous pourrez aussi trouver une liste des réparateurs agréés de BLACK+DECKER et de plus amples détails sur notre service après-vente sur le site Internet à l'adresse suivante : www.2helpU.com

- يمكنك التعرف على موقع أقرب وكيل صيانة معتمد من خلال الاتصال على مكتب **BLACK+DECKER** المحلي في العنوان الموضح في هذا الدليل. وبدلاً من ذلك، توجد قائمة بوكلاء الصيانة المعتمدين التابعين لشركة **BLACK+DECKER** والتفاصيل الكاملة لخدمات ما بعد البيع ووسائل الاتصال الخاصة بنا على الإنترنت على الموقع الإلكتروني: www.2helpU.com.

البيانات الفنية

BX430J/BX440G/ BX440/BX4000/BX4030	
الجهد الكهربائي / التردد	220-240 فولت ~ 50-60Hz هرتز
دخل الطاقة	400 وات

كمية	جهاز	
	وعاء	طاحونة
1	2	BX430J
2	1 (وعاء زجاجي)	BX440G
2	1	BX440
2	1	BX4000
1	1	BX4030

لضمان

تتق **BLACK+DECKER** في جودة منتجاتها وتعرض ضماناً طويلاً الأجل.
بيان الضمان هذا يكون بالإضافة إلى حقوقك التي يمنحها القانون ولا يخل بها بأي حال من الأحوال.
في حالة وجود خلل في منتج **BLACK+DECKER** بسبب عيب في المواد أو الصناعة أو عدم التوافق مع المعايير، خلال ٢٤ شهراً من تاريخ الشراء، تضمن **BLACK+DECKER** استبدال الأجزاء المعيبة وإصلاح المنتجات مع مراعاة التآكل والبلى الطبيعي أو استبدال هذه المنتجات لضمان أقل إزعاج للعميل ما لم:

- ◀ يتم استخدام المنتج في أغراض تجارية أو مهنية أو أغراض تأجير؛
- ◀ يتعرض المنتج لسوء الاستخدام أو الإهمال؛
- ◀ يتعرض المنتج للتلف نتيجة أشياء أو مواد غريبة أو حوادث؛
- ◀ يتم محاولة إصلاح المنتج بواسطة أشخاص غير وكلاء الصيانة المعتمدين أو فريق الصيانة التابع لشركة **BLACK+DECKER**

لتقديم مطالبة بموجب الضمان، سوف تحتاج إلى تقديم دليل الشراء للبائع أو وكيل الصيانة المعتمد. ويمكنك التعرف على موقع أقرب وكيل صيانة معتمد من خلال الاتصال على مكتب **BLACK+DECKER** المحلي في العنوان الموضح في هذا الدليل.

وبدلاً من ذلك، توجد قائمة بوكلاء الصيانة المعتمدين التابعين لشركة **BLACK+DECKER** والتفاصيل الكاملة لخدمات ما بعد البيع ووسائل الاتصال الخاصة بنا على الإنترنت على الموقع الإلكتروني: www.2helpU.com

- لا تستخدم أي منظفات كاشطة أو مذيبة.
- لا تغمس قاعدة توصيل الكهرياء في الماء أو في أي سائل آخر.
- تحذير: تأكد أنه تم إيقاف الخلاط قبل إزالته من على المنصة

خاص بملحق الخلاط:

- يمكن أن تنظف وطيفة التنظيف الذاتي الخلاط بسهولة وبسرعة بأمان تام.
- اسكب قليلاً من الماء الدافئ في الوعاء (3) وأدر مفتاح التحكم (6) إلى الوضع "1" وشغل الجهاز لبضع ثوانٍ.
- قم بفك الوعاء من وحدة المحرك واشطفه أسفل الماء الجار، ثم قم بملح مجموعة شفرة الخلط من مجموعة الوعاء، وقم بخل كوب المعايرة من غطاء الوعاء. في النهاية، اشطف الوعاء ومجموعة شفرة الخلط وغطاء الوعاء وكوب المعايرة أسفل الماء الجار.
- قم بتجفيف كافة الأجزاء وركبها.

خاص بملحق المطحنة:

- أدر مجموعة شفرة الطحن باتجاه عقارب الساعة لخلها عن كأس الخلط، ثم اشطف مجموعة شفرة الطحن وكأس الطحن أسفل الماء الجار.
- قم بتجفيف كافة الأجزاء وركبها.

استبدال قابس الكهرياء

في حالة الحاجة إلى تركيب قابس كهرياء جديد:

- تخلص من القابس القديم بطريقة آمنة.
- قم بتوصيل السلك البني بالطرف الحي في القابس الجديد.
- أوصل السلك الأزرق بالطرف المحايد.
- إذا كان المنتج الفئة I (مورساً)، قم بتوصيل السلك الأخضر/الأصفر بالطرف الأرضي.

ملاحظة: إذا كان الجهاز من الدرجة الثانية مزوداً بطبقتين عازلتين (يوجد داخل الكابل طرفان اثنتان فقط)، لا يتم التوصيل بالطرف الأرضي.

اتبع تعليمات التركيب المرفقة مع القوابس عالية الجودة. يجب أن يكون المصهر المستبدل على نفس تصنيف المصهر الأصلي المرفق مع المنتج.

تحذير! التعليمات السابقة بخصوص استبدال قابس الكابل الرئيسي خاصة بموظفي مركز الخدمة المعتمد فقط.

حماية البيئة

الجمع المنفصل. يلزم عدم التخلص من هذا المنتج مع القمامة المنزلية العادية.



إذا لزم في يوم من الأيام استبدال منتج **BLACK+DECKER** الخاص بك، أو إذا لم تعد تستخدمه، فلا تتخلص منه مع القمامة المنزلية الأخرى، بل تأكد من إتاحة هذا المنتج للجمع المنفصل.

- توفر شركة **BLACK+DECKER** مرفق لإعادة تدوير منتجات **BLACK+DECKER** بمجرد وصولها إلى نهاية عمرها وعدم صلاحيتها للعمل. ويتم تقديم هذه الخدمة مجاناً. للاستفادة من هذه الخدمة، يرجى إعادة المنتج إلى أي وكيل صيانة معتمد والذي سوف يتولى بدوره جمع المنتجات نيابة عننا.

- يمكنك إضافة المكونات في الوعاء (3) أثناء التشغيل من خلال الفتحة المركزية في غطاء الوعاء (2)، ثم أعد وضع كوب المعايرة (1) في مكانه.
- تأكد من أن مفتاح التحكم (6) مضبوط على الوضع "O"، ثم أوصل الجهاز بماخذ الكهرباء.
- أدر مفتاح التحكم (6) لتحديد الإعداد المطلوب، وسيبدأ الجهاز في الخلط أثناء الخلط، يمكن تدوير مفتاح التحكم إلى الوضع "Pulse" مع عدم تحريره إذا كنت تريد تسريع عملية الخلط.
- ملاحظة: تأكد أن غطاء الوعاء (2) مثبت جيداً في مكانه قبل التشغيل، ولا تفتح غطاء الوعاء (2) مطلقاً أثناء التشغيل.
- ملاحظة: لا تشغل الجهاز لأكثر من 3 دقائق في المرة الواحدة، وانتظر حتى تبرد الوحدة إلى درجة حرارة الغرفة قبل إجراء دورة التشغيل التالية.
- أدر مفتاح التحكم (6) إلى الوضع "O" بمجرد خلط المزيج على التجانس المطلوب.
- أدر الوعاء (3) عكس اتجاه عقارب الساعة وقم بإزالته من وحدة المحرك (5)، وأزل برحس غطاء الوعاء (2)، ثم صب الخليط وقدمه.

تشغيل المطحنة

- ضع وحدة المحرك (5) على سطح أفقي مستوي وتأكد أن القابض منزوع.
- املاً كأس الطحن (9) بحبوب القهوة، ثم ضع مجموعة شفرة الطحن (8) أسفل كأس الطحن وقم بتدويرها عكس اتجاه عقارب الساعة لتثبيتها في كأس الطحن (9).
- ملاحظة: أقصى كمية من حبوب القهوة يسعها كأس الطحن هي 50 جرام.
- ركب ملحق المطحنة (8) في وحدة المحرك.
- ملاحظة: توجد أداة تعشيق الأمان في أسفل وحدة المحرك، إذا لم تُركب المطحنة في مكانها، فلن يمكنها العمل.
- تأكد من أن مفتاح التحكم (6) مضبوط على الوضع "O" قبل التشغيل، ثم أوصل الجهاز بماخذ الكهرباء.
- حدد إعداد السرعة المطلوبة في مفتاح التحكم (6)، وسيبدأ الجهاز في الطحن. أثناء الطحن، يمكن تدوير مفتاح التحكم (6) إلى الوضع "Pulse" مع عدم تحريره إذا كنت تريد تسريع عملية الطحن.
- افصله عن مزود الطاقة بمجرد الانتهاء. ثم قم بفك ملحق المطحنة من الأداة، وأنزل كأس الطحن وقم بتدويره عكس عقارب الساعة، ثم أفرغ الكأس وقدم ما طحنته.
- ملاحظة: لا تشغل الجهاز لأكثر من 30 ثانية في المرة الواحدة، وانتظر حتى تبرد الوحدة إلى درجة حرارة الغرفة قبل إجراء دورة التشغيل التالية.

التنظيف والصيانة

- قبل إجراء الصيانة:
- أطفئ الجهاز وافصله عن مأخذ التيار.
- انتظر حتى يبرد الجهاز تماماً.
- تحذير: يحظر غمس الجهاز أو القاعدة أو سلك التوصيل أو القابض في الماء أو في أي سائل آخر.
- امسح الجسم الخارجي بقطعة قماش مبللة.
- لا تستخدم حشوات تنظيف.
- إذا لزم الأمر، استخدم منظف خفيف لإزالة البقع.

- في حالة تلف سلك الكهرباء، يجب استبداله من قبل المُصنِع أو أي مركز خدمة معتمد من BLACK+DECKER لتجنب المخاطر.



لتجنب خطر التعرض لصدمة كهربائية، لا تغمر السلك أو القابض أو الجهاز في الماء أو أي سائل آخر.

المواصفات

1. كوب معايرة
2. غطاء الوعاء
3. وعاء
4. مجموعة شفرة الطحن
5. وحدة المحرك
6. مفتاح التحكم
7. القاعدة
8. مجموعة شفرة الطحن
9. كأس الطحن

قبل أول استخدام

- أخرج الجهاز بالكامل من العبوة.
- نظف الجهاز قبل الاستخدام لأول مرة.
- تحقق من أن كل الأجزاء كاملة وليست تالفة.
- اختار الملحق المناسب لأداء المهمة المطلوبة:
- ملحق الخلاط مناسب لخلط الفواكه أو الخضراوات أو جرش التلج.
- ملحق المطحنة معد لطحن حبوب القهوة.
- تحذير: إن الشفرات حادة، ولهذا تعامل معها بعناية فائقة وتأكد أنك قمت بفصل الجهاز عن مأخذ الكهرباء قبل تجميع أو إزالة الأجزاء.

تشغيل الخلاط

- ضع وحدة المحرك (5) على سطح أفقي مستوي وتأكد أن القابض منزوع.
- افتح غطاء الوعاء (2) بواسطة تدويره عكس عقارب الساعة وضعه على السطح.
- قشر أو أزل لب الفاكهة أو الخضراوات واقطعها لأجزاء صغيرة، ثم ضعها في الوعاء.
- أضف كمية من الماء النقي لتسهيل عملية التشغيل للسلس للجهاز.
- يجب ألا تتعدى كمية المزيج الحد الأقصى المُشار إليه على العبوة، ولا تقل عن الحد الأدنى. أفضل نسبة للفاكهة أو الخضراوات مع الماء هي 2:3.
- ملاحظة: الخلاط غير مناسب لخلق بياض البيض أو هرس البطاطس أو خلط العجين أو استخلاص العصير من الفاكهة أو الخضراوات.
- أعد وضع غطاء الوعاء (2) على الوعاء (3) وأدره باتجاه عقارب الساعة.
- ضع مجموعة شفرة الخلط (4) أسفل الوعاء ثم أدرها عكس عقارب الساعة لتثبيتها في الوعاء (3).
- ضع الوعاء (3) على وحدة المحرك (5) ثم أدره باتجاه عقارب الساعة حتى يُثبت بإحكام على وحدة المحرك.
- ملاحظة: توجد أداة تعشيق الأمان في أسفل الوعاء، إذا لم يُركب الوعاء في مكانه، فلن يعمل الخلاط.

تعليمات السلامة

- هذا الجهاز غير مخصص للتشغيل عن طريق مؤقت خارجي أو نظام منفصل للتحكم عن بعد.
- قد ترتفع درجة حرارة السطح الخارجي للخلاط أثناء الاستخدام.
- دع الأجزاء المتحركة تتوقف قبل إزالة أي غطاء.
- دع الأجزاء المتحركة تتوقف قبل الاقتراب.
- يجب متابعة الوحدة أثناء الاستخدام.
- توخ الحذر في حالة صب سائل ساخن في الخلاط، حيث يمكن طرده خارج الجهاز جراء التبخير المفاجئ.

سلامة الآخرين

- هذا الجهاز غير مصمم ليستخدمه الأشخاص ذوو القدرات الجسدية والحسية والعقلية المتدنية والخبرة والمعرفة القليلتين (بما في ذلك الأطفال). إلا في ظل الإشراف عليهم أو إعطائهم التعليمات المتعلقة باستخدام الجهاز من قبل الشخص المسؤول عن سلامتهم.
- يجب الإشراف على الأطفال لضمان عدم عبثهم بالجهاز.
- يجب عدم السماح للأطفال أو أي شخص غير مطلع على هذه الإرشادات باستخدام الجهاز.
- لا تسمح للأطفال أو الحيوانات بالاقتراب من مكان العمل أو لمس الجهاز أو كابل الكهرباء.
- يلزم الإشراف عن قرب عند استخدام الجهاز بالقرب من الأطفال

بعد الاستخدام

- قم بإيقاف تشغيل الجهاز وانزع القابس من مأخذ الكهرباء واترك الجهاز يبرد قبل تركه دون مراقبة وقبل تغيير أي من أجزاء الجهاز أو تنظيفها أو فحصها.
- في حالة عدم استخدام الجهاز، يجب تخزينه في مكان جاف. يجب حفظ جميع الأجهزة المخزنة بعيداً عن متناول الأطفال.

الفحص والإصلاح

- قبل الاستخدام، افحص الجهاز للكشف عن أية أجزاء تالفة أو معيبة. تحقق من عدم وجود كسور في الأجزاء، أو تلف في الأزرار، أو أي حالة قد تؤثر على تشغيل الجهاز.
- لا تستخدم الجهاز في حالة وجود أي جزء به تلف أو عيب.
- يجب أن يقوم وكيل إصلاح معتمد بإصلاح أو استبدال الأجزاء المكسورة أو التالفة.
- قبل الاستخدام، تحقق من عدم وجود علامات تلف أو اهتراء أو تآكل في السلك الكهربائي.
- لا تستخدم الجهاز في حالة وجود عيب أو تلف في القابس أو السلك الكهربائي.
- في حالة وجود تلف أو عيب في السلك الكهربائي أو القابس الرئيسي، فيجب إصلاحها بمعرفة وكيل إصلاح معتمد لتجنب المخاطر. لا تقطع سلك التيار الكهربائي ولا تحاول إصلاحه بنفسك.
- لا تحاول مطلقاً إزالة أو استبدال أية أجزاء غير تلك المشار إليها في هذا الدليل.

السلامة من مخاطر الكهرباء

- هذا الشاحن معزول عزلاً مزدوجاً، وبالتالي لا حاجة إلى وجود سلك أرضي. تحقق دائماً من توافق جهد التيار الرئيسي مع الجهد الموضح على لوحة التقنين. لا تحاول مطلقاً استبدال وحدة الشاحن بقابس عادي.



- تحذيراً عند استخدام الأجهزة التي تعمل بالتيار الكهربائي، يجب اتخاذ احتياطات الأمان الأساسية، بما فيها الاحتياطات التالية، وذلك للحد من مخاطر الحريق والصدمات الكهربائية والإصابات الشخصية والخسائر المادية.
- اقرأ هذا الدليل بالكامل بعناية قبل تشغيل الجهاز.
- إن الغرض من الاستخدام موضح في هذا الدليل. إن استعمال أي ملحقات أو مرفقات أو إجراء أية عملية بهذا الجهاز غير التي يُوصى بها في هذا الدليل قد يسبب خطر الإصابة الشخصية.
- احتفظ بهذا الدليل للرجوع إليه عند الحاجة.
- افرد السلك الكهربائي بدقة بحيث لا يتعلق فوق حواف سطح العمل وبحيث لا يتم التعلق أو التعثر به دون قصد.
- لا تشغل الجهاز على الإطلاق أسفل مقبس التيار الكهربائي الذي يتم توصيل الجهاز به.
- في حالة تلف سلك الطاقة، يجب استبداله من قبل مُصنِع الجهاز أو وكيل الخدمة المعتمد التابع له أو أي فني على نفس درجة التأهيل وذلك لتجنب المخاطر.
- استخدم الخلاط وفقاً لهذه التعليمات، ربما يتسبب أي سوء استخدام في صدمة كهربائية أو أي مخاطر أخرى.

الغرض من الاستخدام

صُمم خلاط BLACK+DECKER™ BX430J/BX440G/BX440/BX4000/BX4030

- لخلط ومزج وعصر الطعام الصلب والسائل ومكونات المشروبات. هذا الجهاز مصمم للاستخدام المنزلي فقط.

لا يُستخدم هذا الجهاز في:

- مناطق مطابخ العمال في المتاجر والمكاتب وأوساط العمل الأخرى؛
- المنازل الريفية؛
- من قبل العملاء في الفنادق والفنادق الصغيرة وأماكن الإقامة الأخرى؛
- أماكن النوم والإفطار.

استخدام الجهاز الخاص بك

- توخ الحذر دائماً عند استخدام الج. ان.
- لا تحاول مطلقاً شد سلك الكهرباء لفصل القابس عن المقبس. واحرص على وضع سلك الكهرباء بعيداً عن الحرارة والزيت والحواف الحادة.
- لا تضع الجهاز فوق مصادر الحرارة أو بالقرب منها أو في فرن ساخن.
- تجنب سكب الماء على قاعدة توصيل الكهرباء.
- يحظر استخدام الجهاز بالقرب من المواد المتفجرة أو القابلة للاشتعال.
- لا تستخدم الجهاز في الهواء الطلق.
- احرص على تشغيل الجهاز ويدك جافتان.
- إذا حدث تلف للسلك الكهربائي أثناء الاستخدام، افصل الجهاز عن مصدر الكهرباء على الفور. لا تلمس السلك الكهربائي قبل فصله عن مصدر الكهرباء.
- افصل الجهاز عن مصدر الكهرباء في حالة عدم استخدامه وقبل تركيب الأجزاء أو استبدالها وقبل التنظيف.

Names & Addresses for BLACK + DECKER Service Concessionaries

COUNTRY	NAME	ADDRESS	TELEPHONE NO.	EMAIL
BAHRAIN	Alfouz Services Co. WLL	P.O. Box 26562, Tubli, Manama	(00973) 17783562 / 17879987	alfouz@batelco.com.bh
BAHRAIN	Kewairam & Sons Co. WLL	P.O. Box 84, Manama, Kingdom of Bahrain	(00973) 17213110 17210617	kewairam02@batelco.com.bh kewairam@batelco.com.bh
EGYPT	Anasia Egypt for Trading S.A.E. (Mentrade)	P.O. Box 2443, 9, Mostafa Refaat Street, Sheraton Heliopolis 11361, Cairo	(00202) 22684159 Hotline19311	wael.salah@anasia.com nevien.elbeshbishy@anasia.com
JORDAN	Mega Hardware - (Sami Bashiti & Partners Co.)	93 King Abdullah II St., P.O. BOX 3005 AMMAN 11953	(009626) 5349098	info@mega-hardware.com www.mega-hardware.com
KSA	Fawaz Ebrahim Al Zayani Trading Est.	P.O. Box 76026, Al Raka : 31952	(009663) 8140914	dewaltdammam@hotmail.com www.fawazalzyanigroup.com
KSA	United Trading & Marketing Co; (U-MARK)	#15, Khamis Mushait 62411, Abha, Military city road – Near City max and Ghunaim Market	(00966) 172500378	serviceabha@u-mark.net
KSA	United Trading & Marketing Co; (U-MARK)	#116, Prince Fahad Ibn Ibrahim Al Saud Street - Near Nawan Hotel	(00966) 11473-3258	malazservice@u-mark.net
KSA	United Trading & Marketing Co; (U-MARK)	Ash Shiqah, Al Hamr, Buraydah 52371 Al Hamr Road near Jaryat Al Umran & Khub Ath Thinayat	(00966) 16-3694969	serviceqaseem@u-mark.net
KSA	United Trading & Marketing Co; (U-MARK)	King Abdulaziz St, Al Aziziyah Dammam 32424 near Dat AS Sihha Medical Center	(00966) 138179319 138172654	servicedammam@u-mark.net
KSA	United Trading & Marketing Co; (U-MARK)	Jabal Ar-Rubabah, Misrifah, Jeddah 23331 Falastin Road Near New Jeddah National Hospital	(00966) 126612552	servicejeddah@u-mark.net
KSA	United Trading & Marketing Co; (U-MARK)	#356, Al Talah Medina 42322	(00966) 148423339	servicemadina@u-mark.net
KUWAIT	Al Omar Technical Co.	P.O. Box 4062, Safat 13041, Kuwait	(00965) 24848595 / 24840039	alexotc@usa.net
KUWAIT	The Sultan Centre	P.O. Box 26567-13126 Safat, Kuwait	(00965) 24343155 Etn. 432	allina@sultan-center.com nedalt@sultan-center.com
LEBANON	Aces Service Centre (Est. F.A.Ketaneh SA)	P.O. Box 90-102, Nahr El Mot, Seaside Highway, Pharaon Building, Beirut	(009611) 898989 / 262626	nissrine.hajj@aces.com.lb nassim.aziz@Aces.com.lb
LIBYA	Homeworld Co.	Sendal St. Amr Ibn Elaas Road, Benghazi, Libya (P.O. Box 18182 Salmany)	(0021861) 9094183 ext. 103	nissrine.hajj@aces.com.lb
LIBYA	North Africa Trading (El Ghoul Brothers)	P.O. Box 348, 7 October Street 11, Benghazi	(00218061) 3383994	nissrine.hajj@aces.com.lb
LIBYA	North Africa Trading (El Ghoul Brothers)	AlBarniq Dewalt Center, Mokhazin-elsukar St. ElFallah, Tripoli	(00218021) 3606430	nagte.ly@gmail.com nagte_dpt@gmail.com
MAURITIUS	The Brandhouse Ltd.	Rogers Industrial Park 1, Riche Terre, Mauritius	(00230) 2069450 2071700	claims(service.centre@goupille.mu stephanie.bijou@gmail.com
MOROCCO	Electronia	Bd, Sidi Abdelrahman- Gr ceinture residence Rio - Ain Diab - 20050. Casa Blanca	(00212) 618532680	r.makhlouti@electronia.ma
OMAN	Oman Marketing & Service Co. (Omasco)	P.O. Box 2734, Behind Honda Showroom, Wattayah, Oman	(00968) 24560232 24560255	npSERVICE@omasco.com.om ashok.balan@omasco.com.om
OMAN	Oman Marketing & Service Co. (Omasco)	Al Ohi, Sohar, Oman	(00968) 26846379	sooraj.neeran@omasco.com.om
OMAN	Oman Marketing & Service Co. (Omasco)	Sanaya, Salalah, Oman	(00968) 23212290	rajagopal.pr@omasco.com.om
PAKISTAN	Ammar Service & Spares	Office No 6068 6th Floor Central Plaza Behind Gul Plaza Marston Road, KARACHI	(009221) 32775252	babji93@yahoo.com
QATAR	Al Muftah Service Centre	Al Wakrah Road, P.O. Box 875, Doha, Qatar	(00974) 44650880 44650110	service@almuftah.com almuftah@almuftah.com
SRI LANKA	Delmege Forsyth & Co. Ltd	Delmege Forsyth & Co. Ltd Lifestyle Cluster 101, Vinayalankara Mawatha Colombo 10 Sri Lanka	(009477) 2211111	dgeservice@delmege.com jayantha.lifestyle@delmege.com
TUNISIA	Societe Tunisienne De Maintenance (STM)	RUE DE LA PHYSIQUE. NOUVELLE ZONE INDUSTRIELLE BEN AROUS. 2013 BEN AROUS, TUNISIA.	(0021679) 389687	importa@stqu.com
UAE	Light House Electrical	P.O. Box 120, Abu Dhabi	(009712) 6726131	dewalt_lhe@hotmail.com
UAE	Light House Electrical	P.O. Box 120, Abu Dhabi	(009712) 5548315	dewalt_lhe@hotmail.com
UAE	Black & Decker (Overseas) GmbH	P.O. Box 5420, Dubai	(009714) 8127400 / 8127406	service.mea@sbdinc.com
UAE	Zillion Equipment and	P.O. Box 10584, Ras Al Khaimah	(009717) 2277095	zillionrak@gmail.com
UAE	Zillion Equipment and Spare Parts Trading LLC	P.O. Box 19740, Opp. Bin Sadal / Trimix Redymix Sanaiya, Al Ain	(009713) 7216690	zilliontrdg@gmail.com
YEMEN	Middle East Trading Co. (METCO)	5th Flr. Hayel Saeed Anam Bldg. Al-Mugamma St. Taiz, Yemen	(009674) 213455	metco@metcotrading.com sami@metcotrading.com
YEMEN	Middle East Trading Co. (METCO)	Mualla Dakka, Aden	(009672) 222670	metco@metcotrading.com sami@metcotrading.com
YEMEN	Middle East Trading Co. (METCO)	Hayel st., Sana'a, Yemen	(009671) 204201	metco@metcotrading.com sami@metcotrading.com



WARRANTY REGISTRATION CARD

YOUR NAME/ VOTRE NOM/الإسم -----

YOUR ADDRESS/ VOTRE ADRESSE/العنوان -----

POSTCODE/ CODE POSTAL/الرمز البريدي -----

DATE OF PURCHASE/ JOUR D'ACHAT/تاريخ الشراء -----

DEALER'S NAME & ADDRESS/ NOM ET ADRESSE DU VENDEUR/إسم وعنوان البائع -----

PRODUCT MODEL NO. BX430J/BX440G/BX440/BX4000/BX4030

01.2018



